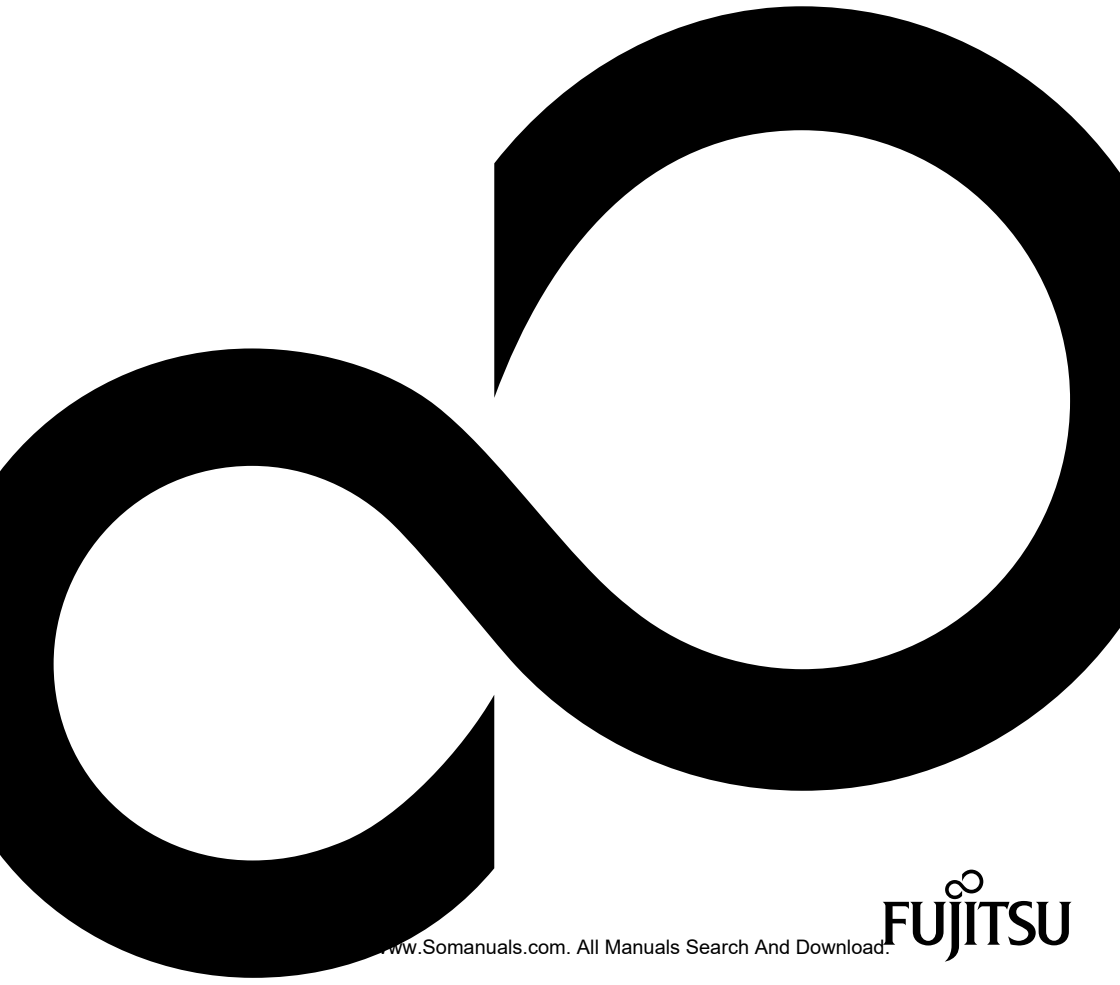


STYLISTIC M532



Congratulations, you have decided to buy an innovative Fujitsu product.

The latest information about our products, useful tips, updates etc. is available from our website: ["http://ts.fujitsu.com"](http://ts.fujitsu.com)

You can receive automatic software updates from: ["http://support.ts.fujitsu.com/com/support/index.html"](http://support.ts.fujitsu.com/com/support/index.html)

Should you have any technical questions, contact:

- our Hotline/Service Desk (see Service Desk list or from the Internet at: ["http://ts.fujitsu.com/support/servicedesk.html"](http://ts.fujitsu.com/support/servicedesk.html))
- Your sales partner
- Your sales office

We hope you really enjoy using your new Fujitsu system.



Copyright

Fujitsu Technology Solutions 05/12

Published by

Fujitsu Technology Solutions
Mies-van-der-Rohe-Straße 8 (Mies-van-der-Rohe Street No. 8)
80807 Munich, Germany

Contact

<http://ts.fujitsu.com/support>

All rights reserved, including intellectual property rights. Subject to technical alterations. Delivery subject to availability. No warranty is offered or liability accepted in regard of the completeness, correctness, or current applicability of any data or illustrations. Brand names may be protected trademarks of the respective manufacturer and/or protected by copyright. Use of these by third parties for their own purposes may constitute an infringement of the holders' rights. Further information can be found at "http://ts.fujitsu.com/terms_of_use.html"

Order No. Fujitsu Technology Solutions GmbH: A26391-K340-Z320-1-7619, edition 1

STYLISTIC M532

Operating manual

Innovative technology	7
Ports and controls	9
Important notes	11
First-time setup of your device	15
Working with the Tablet PC	18
Working with Android	35
Connecting external devices	59
Troubleshooting and tips	62
Technical data	66
Manufacturer's notes	68
Index	74

Google, the Google Logo, Android, the Android Logo, Google Play Store, the Google Play Store Logo, Google Play, the Google Play Logo, Gmail, the Gmail Logo, Google Mail, the Google Mail Logo, Google Latitude, Youtube, the Youtube Logo and Picasa are registered trademarks of Google Incorporated.

Windows is a registered trademarks of the Microsoft Corporation.

Adobe Reader is a trademark of Adobe Systems Incorporated.

All trademarks referenced are trademarks or registered trademarks of their respective owners, whose protected rights are acknowledged.

Copyright © Fujitsu Technology Solutions GmbH 2012

All rights reserved, including rights of translation, reproduction by printing, copying or similar methods, in part or in whole.

In the event of violations, perpetrators will be liable to prosecution for damages.

All rights reserved, including rights created by patent grant or registration of a utility model or design.

Subject to availability and technical modifications.

Contents

Innovative technology	7
Further information	7
Notational conventions	8
Ports and controls	9
Important notes	11
Safety notes	11
Additional safety notes for devices with radio components	11
Using headphones	12
Protecting the device	12
Energy saving	12
Energy saving	12
Travelling with your Tablet PC	13
Before you travel	13
Transporting the Tablet PC	13
Cleaning the Tablet PC	14
First-time setup of your device	15
Unpacking and checking the device	15
Selecting a location	16
Mains adapter connecting	16
Switching on the device for the first time	17
Working with the Tablet PC	18
Battery charging indicator	18
Switching on the Tablet PC	19
Switching off the Tablet PC	19
Touchscreen	20
Select display orientation (portrait or landscape orientation)	20
Tablet buttons	21
Webcam	21
Rechargeable battery	22
Charging and maintaining the battery	22
Using the power-management features	22
Memory cards	23
Supported format	23
Inserting the memory card	23
Removing the memory card	24
SIM card	25
Inserting the SIM card	25
Removing a SIM card	25
Switching the wireless components on and off	26
WLAN/Wi-Fi and Bluetooth	26
UMTS	26
Access via UMTS	26
GPS	26
Your Cradle (optional)	27
Cradle components	27
Setting up the Cradle	31
Connecting the Tablet PC to the Cradle	32
Disconnecting the Tablet PC from the Cradle	34

Working with Android	35
Initial setup of your device with Android	35
Home screen	36
Navigating on the home screen	37
Customising the home screen	38
Operation	39
Using fingers	39
Entering text via the on-screen keyboard	40
Using the dictation function	42
Messages, status and system symbols	43
Searching with Google	43
Working with apps/widgets	43
Settings	45
Managing the WiFi network	45
Establishing a Bluetooth connection	46
Limiting data volumes for mobile data use	46
Setting Airplane mode, VPN, Tethering & portable hotspot, WiFi direct and mobile networks	47
Device settings	48
Personal settings	49
System settings	51
System updates	52
Over-the-air (OTA)	53
Updating via an external memory card (micro SD card)	53
Apps	54
Applications	54
Connecting external devices	59
HDMI port	59
Connecting USB devices	60
How to remove USB devices correctly	60
Headphone port	61
Troubleshooting and tips	62
Help if problems occur	62
Using the Reset button	62
The Tablet PC's date or time is incorrect	63
The display on the Tablet PC's touchscreen is difficult to read	63
The external monitor remains blank	63
The Tablet PC does not start after switch on	63
The Tablet PC stops working	64
The radio connection to a network does not work	64
The battery discharges too quickly	64
Acoustic warnings	65
Technical data	66
Tablet PC	66
Rechargeable battery	67
Mains adapter 30 W	67
Cradle (optional)	67
Manufacturer's notes	68
Disposal and recycling	68
Declarations of Conformity	68

- CE marking 68
- Regulatory notices 69
 - Regulatory information for Tablet PCs without radio device 69
 - DOC (Industry CANADA) notices 70
 - FCC Regulatory information for Tablet PCs with radio device 72
- Index 74**

Innovative technology

... and ergonomic design make your device a reliable and convenient companion.

The device boots very quickly, is ready for immediate use and offers a particularly long operating time because of its high capacity battery.









Information on the connections and controls for your Tablet PC can be found in chapter ["Ports and controls", Page 9](#).

Further information



If you install other software products, pay attention to the operating instructions of the manufacturer.

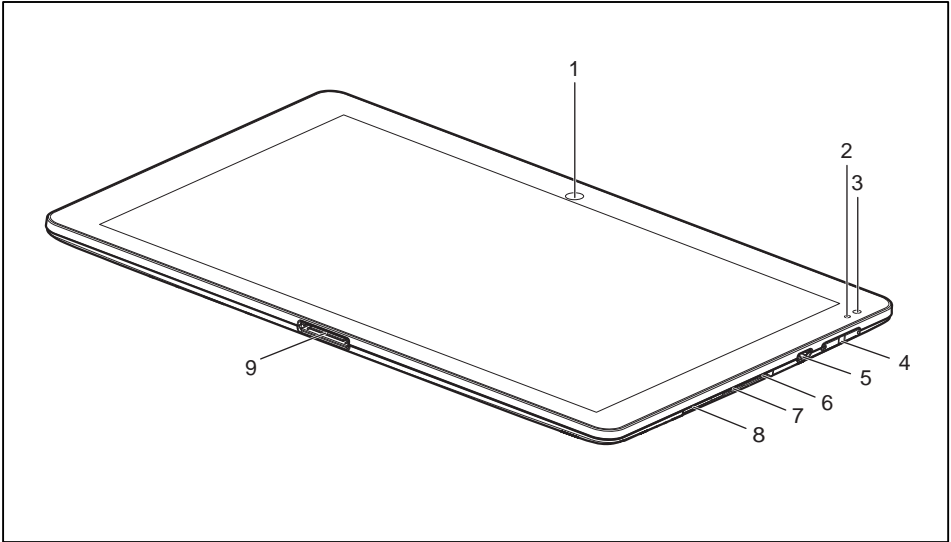
Notational conventions

	Pay particular attention to text marked with this symbol. Failure to observe these warnings could pose a risk to health, damage the device or lead to loss of data. The warranty will be invalidated if the device becomes defective through failure to observe these warnings.
	Indicates important information for the proper use of the device.
	Indicates an activity that must be performed
	Indicates a result
This font	indicates data entered using the keyboard in a program dialogue or at the command line, e.g. your password (Name123) or a command used to start a program (start.exe)
This font	indicates information that is displayed on the screen by a program, e.g.: Installation is complete.
<i>This font</i>	Indicates <ul style="list-style-type: none"> • terms and texts used in a software interface, e.g.: Click on <i>Save</i> • Names of programs or files, e.g. <i>setup.exe</i>.
"This font"	Indicates <ul style="list-style-type: none"> • cross-references to another section, e.g. "Safety information" • cross-references to an external source, e.g. a web address: For more information, go to "http://ts.fujitsu.com" • Descriptions and titles of other material, e.g. the "Safety/Rules" manual
	indicates a key on the keyboard, e.g: 
This font	indicates terms and texts that are emphasised or highlighted, e.g.: Do not switch off the device

Ports and controls

This chapter presents the individual hardware components of your device. It gives you an overview of the device's indicators and connections. Familiarise yourself with these components before you start to work with the device.

Front



1 = WebCam

2 = Battery charging indicator

3 = Ambient light sensor

4 = Volume buttons

5 = Micro USB port

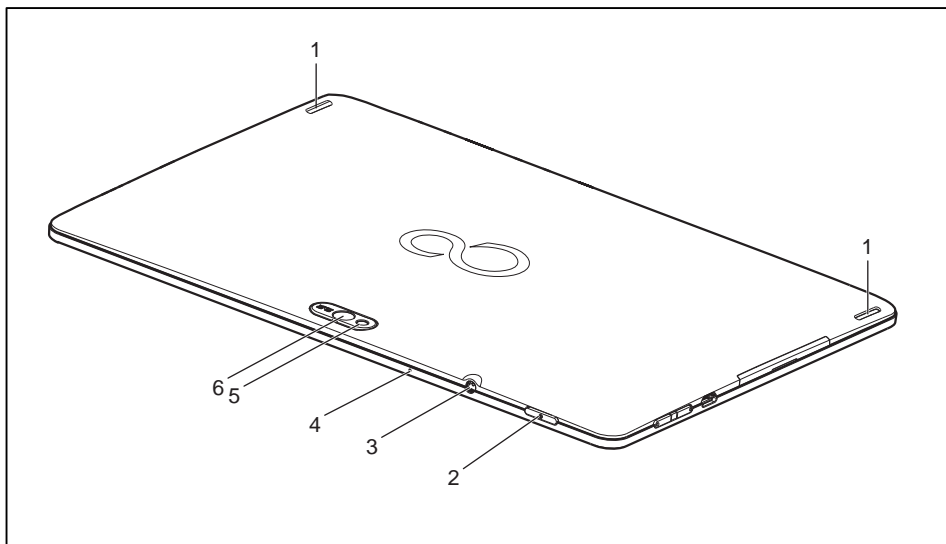
6 = Reset button (beneath cover)

7 = Memory card slot (Micro SD,
beneath cover)

8 = SIM card slot (beneath cover)

9 = Port for mains adapter, cradle and
USB/HDMI adapter

Rear



1 = Stereo speakers

2 = ON/OFF switch

3 = Headphones and microphone port

4 = Microphone

5 = Photoflash

6 = WebCam

Important notes



This chapter contains essential safety information which must be followed when working with your Tablet PC. The other notes provide useful information on your Tablet PC.

Safety notes



Follow the safety notes provided in the "Safety/Regulations" manual as well as the safety notes given below.

Pay special attention to the sections in the manual marked with the symbol on the left.

When connecting and disconnecting cables, observe the relevant notes in this operating manual.

Read the information on the ambient conditions in the ["Technical data", Page 66](#) chapter and the ["First-time setup of your device", Page 15](#) chapter before preparing your Tablet PC for use and switching it on for the first time.

When cleaning the device, observe the relevant notes in the section ["Cleaning the Tablet PC", Page 14](#).

Pay attention to the additional safety notes for devices with radio components provided in the "Safety/Regulations" manual.

This Tablet PC complies with the relevant safety regulations for data processing equipment. If you have questions as to whether you can set up the Tablet PC in the intended environment, contact your sales point or our hotline/help desk.

Additional safety notes for devices with radio components

Your Tablet PC is equipped with radio components (Wireless LAN, Bluetooth, UMTS). When dealing with your Tablet PC, you must therefore follow these safety instructions without exception:

- Switch off the radio components when you are in an aircraft or driving in a car.
- Switch off the radio components when you are in a hospital, an operating room or near a medical electronics system. The transmitted radio waves can impair the operation of medical devices.
- Switch off the radio components when you let the device get near flammable gases or into hazardous environments (e.g. petrol station, paintshops), as the transmitted radio waves can cause an explosion or a fire.



For information on how to switch radio components on and off, see chapter ["Switching the wireless components on and off", Page 26](#).

Using headphones

When using headphones, follow the following safety instructions:



- ▶ Use only those headphones recommended by Fujitsu Technology Solutions. Otherwise, damage to your hearing cannot be ruled out because of a too high volume.
- ▶ To prevent damage to your hearing, choose the lowest possible volume.
- ▶ In the equaliser settings, choose a medium position. Other settings could damage your hearing.
- ▶ Note that other factors outside the control of the manufacturer (such as the operating system, equaliser software, drivers etc.) could increase the headphones volume. Damage to your hearing in these cases cannot be ruled out.

Protecting the device



The device is not waterproof. Do not pour liquids on the system or wash it with a heavily soaked cloth. Do not place items on the top of the display, or damage may occur.

Energy saving

If you will not be using your Tablet PC, switch it off. Switch off any connected external devices when they are not in use. If you use the energy saving functions, the Tablet PC uses less power. You will then be able to work for longer before having to recharge the battery.



Energy efficiency is increased and the environmental impact is reduced. You save money while protecting the environment.

Energy saving

- ▶ Make use of the power management features (see [""Using the power-management features", Page 22"](#)).

Travelling with your Tablet PC

Observe the points listed below when travelling with your Tablet PC.

Before you travel

- ▶ Back up important data stored on your hard disk.
 - ▶ Switch off the radio component for data security reasons. With data traffic via a wireless connection, it is also possible for unauthorised third parties to receive data.
- For accessories check at ["http://ts.fujitsu.com"](http://ts.fujitsu.com).



You will find instructions on activating data encryption under *All apps* in the *Settings* option.

- ▶ If you want to use your Tablet PC during a flight, first check with the flight attendants whether this is permissible.

When travelling in other countries

- ▶ If you are travelling abroad, check that the mains adapter can be operated with the local mains voltage. If this is not the case, obtain the appropriate mains adapter for your Tablet PC. Do not use any other voltage converter!
- ▶ Check whether the local mains voltage and the power cable are compatible. If this is not the case, buy a power cable that matches the local conditions.
- ▶ Enquire with the corresponding government office of the country you will be travelling in as to whether you may operate the radio component integrated in your Tablet PC there (also see ["CE marking", Page 68](#)).

Transporting the Tablet PC



Protect the Tablet PC from severe shocks and extreme temperatures (e.g., direct sunlight in a car).

- ▶ Switch off the Tablet PC.
- ▶ Unplug the mains adapter and all external devices from the power socket.
- ▶ Disconnect the mains adapter cable and the data cables for all external devices.
- ▶ To protect against damaging jolts and bumps, use a Tablet PC carrying case to transport your Tablet PC.



For accessories check at ["http://ts.fujitsu.com"](http://ts.fujitsu.com).

Cleaning the Tablet PC



Do not clean any interior parts yourself; leave this job to a service technician.

Only use cleaning products designed for computers. Normal household cleaners and polishes can damage the markings on the Tablet PC, the paintwork or the Tablet PC itself.

Ensure that no liquid enters the Tablet PC.

Only clean the display surface with a very soft, slightly damp cloth.

- ▶ Switch the Tablet PC off.
- ↳ The casing surfaces may be cleaned with a dry cloth. If particularly dirty, use a damp cloth that has been dipped in water mixed with mild domestic detergent and then carefully wrung out.

First-time setup of your device



Read the chapter "[Important notes](#)", [Page 11](#).

The necessary hardware drivers and the supplied software for the device are already pre-installed.

Before you switch on the device for the first time, connect it to the mains voltage using the mains adapter, see "[Mains adapter connecting](#)", [Page 16](#). The mains adapter must be connected during the entire installation process.

A system test is performed when your device is first switched on. Various messages can appear. The display may remain dark for a short time or may flicker.

Follow the instructions on the screen.

NEVER switch off your device during the first-time setup process.

The battery is permanently installed in the system and must be charged if you want to use your device under battery operation.

When used on the move, the built-in battery provides the device with the necessary power. You can increase the operating time by using the available energy-saving functions.

Refer to chapter "[Connecting external devices](#)", [Page 59](#) for instructions on how to connect external devices (e.g. mouse, flash storage) to your device.

Unpacking and checking the device



Should you discover any damage that occurred during transportation, notify your local sales outlet immediately!

- ▶ Unpack all the individual parts.
- ▶ Check your device for any visible damage which may have occurred during transportation.



You may need the packaging in the future, if you need to transport your device.

Selecting a location



Select a suitable location for the device before setting it up. Follow the instructions below when doing so:

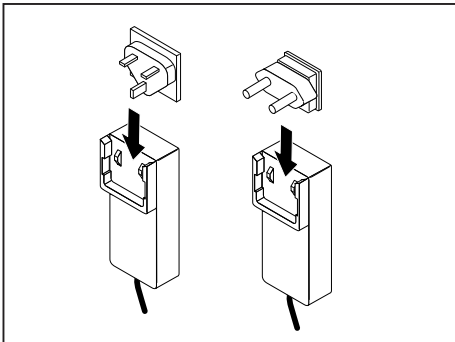
- Never place the device or the mains adapter on a heat-sensitive surface. The surface could be damaged as a result.
- The underside of the device heats up during normal operation. Prolonged contact with the skin may become unpleasant or even result in burns.
- Keep other objects at least 100 mm away from the device and its mains adapter to ensure adequate ventilation.
- Do not expose the device to extreme environmental conditions. Protect the device against dust, humidity and heat.

Mains adapter connecting

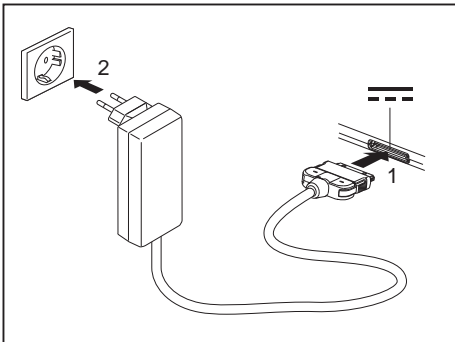


Observe the safety notes in the enclosed "Safety/Regulations" manual.

The supplied power cable conforms to the requirements of the country in which you purchased your device. Make sure that the power cable is approved for use in the country in which you intend to use it.



- ▶ Take the plug which is approved for the country in which the device will be used and insert it into the mains adapter.



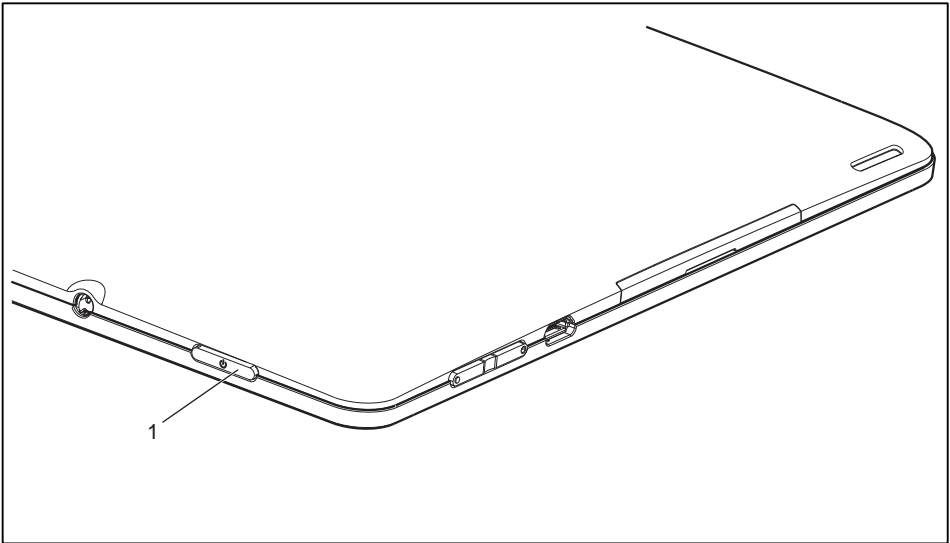
- ▶ Connect the mains adapter cable to the device (1).
- ▶ Plug the mains adapter into a mains socket (2).

Switching on the device for the first time

When you switch on the device for the first time, the supplied software is installed and configured. Because this procedure must not be interrupted, you should set aside enough time for it to be fully completed and connect the device to the mains using the mains adapter.

During the installation process, DO NOT restart the device unless you are requested to do so!

To make it easier to use your device for the first time, the operating system is pre-installed on the internal storage.



- ▶ Press the ON/OFF switch (1) for 2 seconds to switch the Tablet PC on.
- ▶ During installation, follow the instructions on screen.



You can find further information on the system as well as updates, manuals etc. on your device or on the Internet under ["http://ts.fujitsu.com/support"](http://ts.fujitsu.com/support).

Working with the Tablet PC

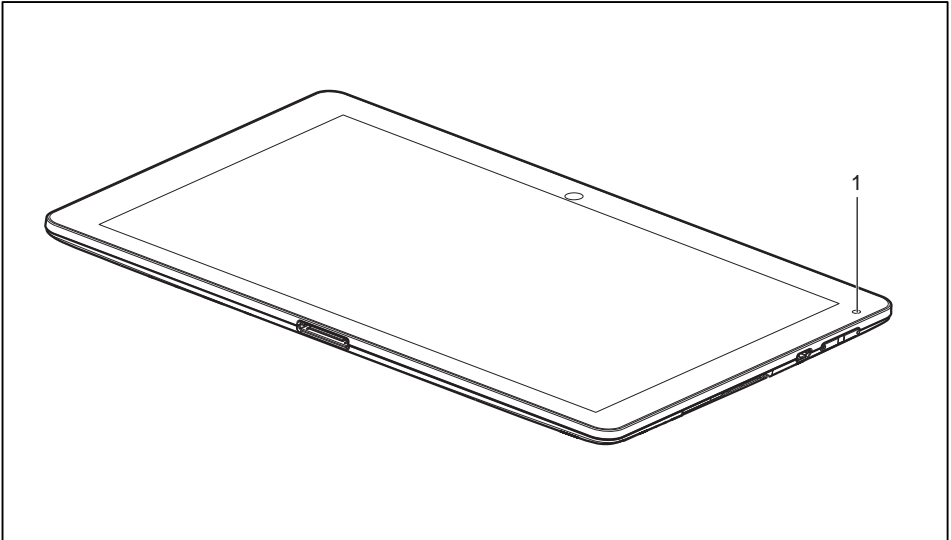
This chapter describes the basics for operating your Tablet PC. You can find instructions on how to connect external devices (e.g. mouse, flash memory) to the Tablet PC in the chapter ["Connecting external devices", Page 59](#).



Refer to the notes in ["Important notes", Page 11](#).

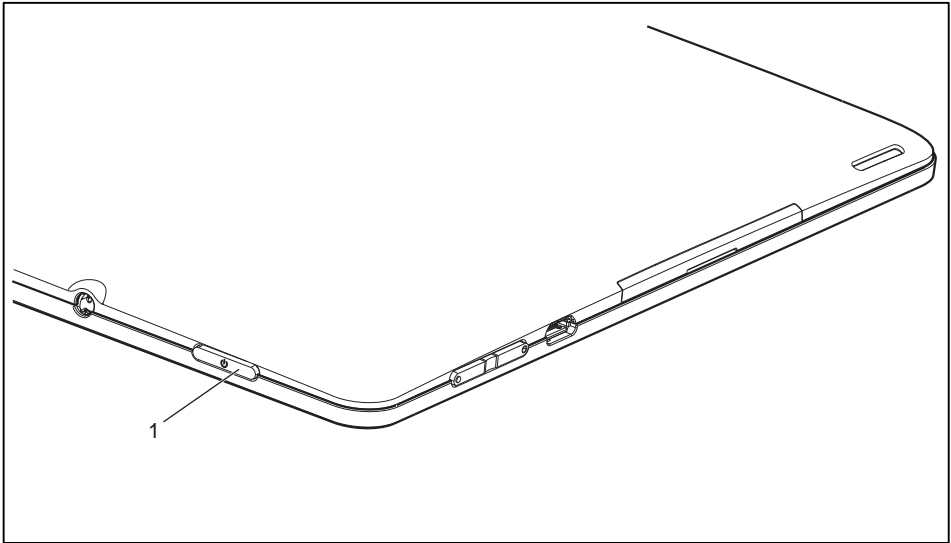
Battery charging indicator

When the mains adapter is connected, the battery charging indicator provides information on the state of the power supply.



No.	Description
1	Battery charging indicator The battery charging indicator is lit red when the battery is being charged. The battery charging indicator is lit white when the battery is 100% charged.

Switching on the Tablet PC



- ▶ Press the ON/OFF switch (1) for 2 seconds to switch on the Tablet PC.
- ↳ The Tablet PC vibrates briefly during the switch-on.
- ▶ If you use a SIM card, enter your SIM card PIN when asked to do so.

Switching off the Tablet PC

- ▶ Keep the ON/OFF switch (1) pressed until a query appears asking whether you wish to turn off the device.
- ▶ Confirm the query.
- ↳ The Tablet PC vibrates briefly during the switch-off.

Touchscreen

High-quality TFT displays are installed in Tablet PCs from Fujitsu Technology Solutions GmbH. For technical reasons, TFT monitors are manufactured for a specific resolution. An optimal, clear picture can only be ensured with the correct resolution intended for the relevant TFT monitor. A monitor resolution which differs from the specification can result in an unclear picture.

The screen resolution of your Tablet PC's touchscreen is optimally set at the factory.

The standard of production techniques today cannot guarantee an absolutely fault-free screen display. A few isolated constant lit or unlit pixels (picture elements) may be present. The maximum permitted number of pixels faults is stipulated in the international standard ISO 9241-3 (Class II).

Example:

A monitor with a resolution of 1280 x 800 has $1280 \times 800 = 1024000$ pixels. Each pixel consists of three subpixels (red, green and blue), so there are almost 3 million subpixels in total. According to ISO 9241-3 (class II), a maximum of 2 light and 2 dark pixels and an additional 5 light or 10 dark subpixels or a corresponding mix may be defective (1 light subpixel counts as 2 dark subpixels).

Pixel	A pixel consists of 3 subpixels, normally red, green and blue. A pixel is the smallest element that can be generated by complete functionality of the display.
Subpixel	A subpixel is a separately addressable internal structure within a pixel that enhances the pixel function.
Cluster	A cluster contains two or more defective pixels or subpixels in a 5 x 5 pixel block.

Background lighting

TFT monitors are operated with background lighting. The luminosity of the background lighting can decrease while the Tablet PC is in use. However, you can set the brightness of your monitor individually.

Select display orientation (portrait or landscape orientation)

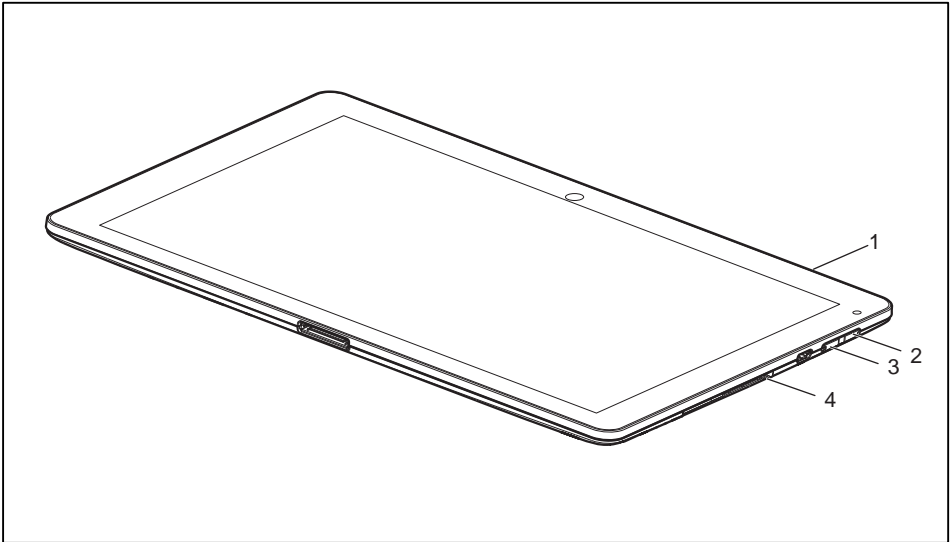
You can choose to use either portrait or landscape orientation for the display.

The alignment of the screen always automatically adapts to the alignment in which you are using the Tablet PC. If you hold the Tablet PC in portrait orientation, the image will be shown in portrait format. If you hold the Tablet PC in landscape orientation, the image will be shown in landscape format.

If you want to disable automatic matching of the alignment, proceed as follows:

- ▶ From *All apps*, select the option *Settings*.
- ▶ Tap on *Display* and activate the setting *Auto-rotate screen*.
- ↳ The tick on the setting disappears, matching of the alignment is disabled.
- ▶ To re-enable matching of the alignment, tap again on the setting *Auto-rotate screen*.
- ↳ The tick on the setting appears, matching of the alignment is enabled.

Tablet buttons



No.	Description	Functions
1	ON/OFF switch	Switch the device on and off
2	Volume button 1	Increase the volume
3	Volume button 2	Decrease the volume
4	Reset button	If the device no longer reacts to input and does not respond to the ON/OFF switch, use the Reset button to restart the device "Using the Reset button", Page 62.

Webcam



Your device has two WebCams: one on the front side of the device and one on the rear.

Depending on the software used, you can use your Webcam to take pictures, record video clips or take part in web chats.

- The picture quality depends on the lighting conditions and the software being used.
- You can only operate the webcam with a particular application (e.g. an Internet telephony program or a video conferencing program which supports a webcam).
- When using the webcam the Tablet PC must not wobble.
- The webcam automatically adjusts itself to the current light level. For this reason the touchscreen may flicker while the light level is adjusted.

Rechargeable battery

For mobile use, the built-in battery provides the Tablet PC with the necessary power. You can increase the life of the battery by caring for the battery properly. The average battery life is around 500 charge/discharge cycles.

You can extend the battery life by taking advantage of the available energy saving functions.

Charging and maintaining the battery

The Tablet PC battery can only be charged when the ambient temperature is between 5°C and max. 35°C.

You can charge the battery by connecting the Tablet PC to the mains adapter (see "[Mains adapter connecting](#)", [Page 16](#)).

If the battery is running low you will hear a warning alarm. If you do not connect the mains adapter within five minutes of the warning alarm described above, your Tablet PC will switch off automatically.

Monitoring the battery charging level

In the system bar / status display there is a battery symbol shown for monitoring the battery capacity. The battery symbol shows you the battery charge.

Using the power-management features

The Tablet PC uses less power when the power management features are enabled. You will then be able to work longer when using the battery before having to recharge it.



Power efficiency is increased and environmental pollution reduced. By choosing the best power options, you can make significant savings and at the same time help protect the environment.

We recommend the following settings: Set the device to go to sleep after 1 minute without activity.

- ▶ Select *Settings > Display* and set the desired value for *Sleep*.

When the Tablet PC is in power saving mode, you must remember the following:



During power saving mode, open files are held in the main memory.

Never switch off the Tablet PC while it is in a power saving mode. If the built-in battery is nearly flat, close the open files and do not go into power saving mode.

If you do not intend to use your Tablet PC for a long period of time:

- ▶ Exit the power saving mode if necessary by switching on the Tablet PC.
- ▶ Close all opened programs and completely shut down the Tablet PC.

Memory cards

Your Tablet PC is equipped with an integrated memory card reader. Use memory cards to increase the storage of your tablet PC.

A square icon containing a lowercase letter 'i' in a bold, serif font, used to denote an important note or instruction.

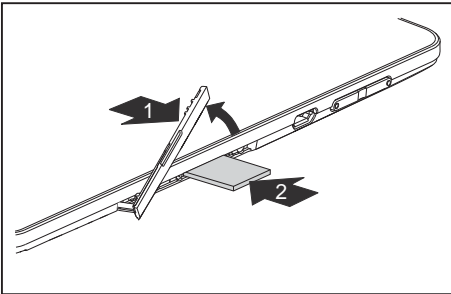
Observe the manufacturer's instructions when handling the memory cards.

Supported format

The memory card reader supports the following format:

- MicroSD Card™(SDHC)

Inserting the memory card



- ▶ Open the slot cover (1).
- ▶ Gently push the memory card into the slot (2) until you feel it click into place. In doing so, the label area on the memory card must be upwards. Do not use any force, otherwise the sensitive contact surfaces could be damaged.

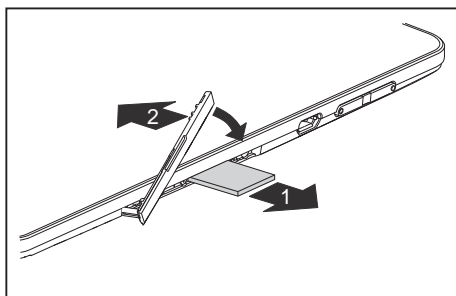
Removing the memory card



In order to protect your data, always follow the correct procedure for removing the card outlined below.

You must unmount the memory card from the system before you can remove it. Proceed as follows:

- ▶ Select *Settings > Storage*.
- ↳ In *Storage*, all the memory components are displayed.
- ▶ Select *Unmount SD card*.
- ▶ Confirm the message with *OK*.
- ↳ The memory card is unmounted and can be removed
- ▶ Press the memory card slightly inwards so that the catch disengages.



- ▶ Pull the memory card out of the slot (1).
- ▶ Replace the slot cover (2).

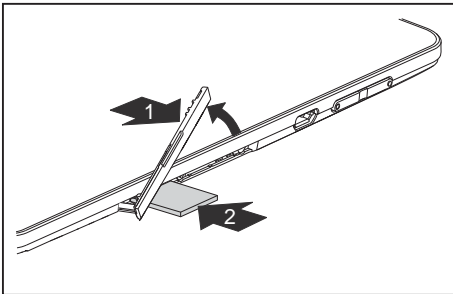
SIM card

A SIM Card (Subscriber Identity Module) is a chip card which is inserted in a mobile telephone or Tablet PC and, together with an integrated UMTS module, enables access to a mobile radio network.



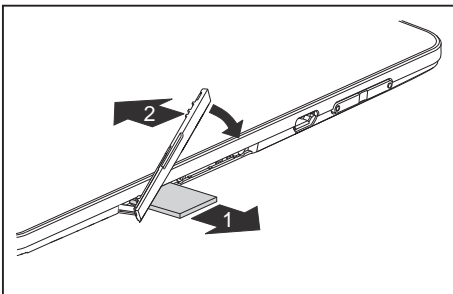
When handling SIM cards, follow the instructions supplied by the provider. When inserting the SIM card and you do not feel it click into place, use a pointed object to insert the SIM card.

Inserting the SIM card



- ▶ Remove the slot cover (1).
- ▶ Gently push the SIM card into the slot (2) until you feel it click into place. The label must be facing upwards. Do not use any force, otherwise the delicate contact surfaces could be damaged.
- ▶ Replace the slot cover.

Removing a SIM card



- ▶ Press the SIM card slightly inwards so that the catch disengages.
- ▶ Pull the SIM card out of the slot (1).
- ▶ Replace the slot cover (2).

Switching the wireless components on and off

WLAN/Wi-Fi and Bluetooth

- ▶ Select *Settings*.
- ▶ Set the switch for WLAN/Wi-Fi or Bluetooth to *ON*.
- ▶ Click on *WLAN/Wi-Fi* and select your preferred network.
- ▶ Click on *Bluetooth* and select the Bluetooth device with which you would like to connect your Tablet PC.



Pay attention to the additional safety notes for devices with radio components provided in the "Safety/Regulations" manual.

You can obtain more information on UMTS from your service provider.

UMTS

- ▶ Select *Settings > More... > Mobile networks*.
- ▶ Choose your preferred network.

Access via UMTS

Your system contains an integrated UMTS module. You will enjoy the best reception and the highest energy efficiency, completely free of troublesome cables or antennas. The UMTS module is immediately ready for use.

You will find information on establishing the connection with the UMTS network in chapter ["UMTS", Page 26](#) and chapter ["Setting Airplane mode, VPN, Tethering & portable hotspot, WiFi direct and mobile networks", Page 47](#).

Your device can connect with the Internet via UMTS.

GPS

Your device is equipped with an integrated GPS module. With the aid of suitable software, you can therefore use your device as a navigation system.

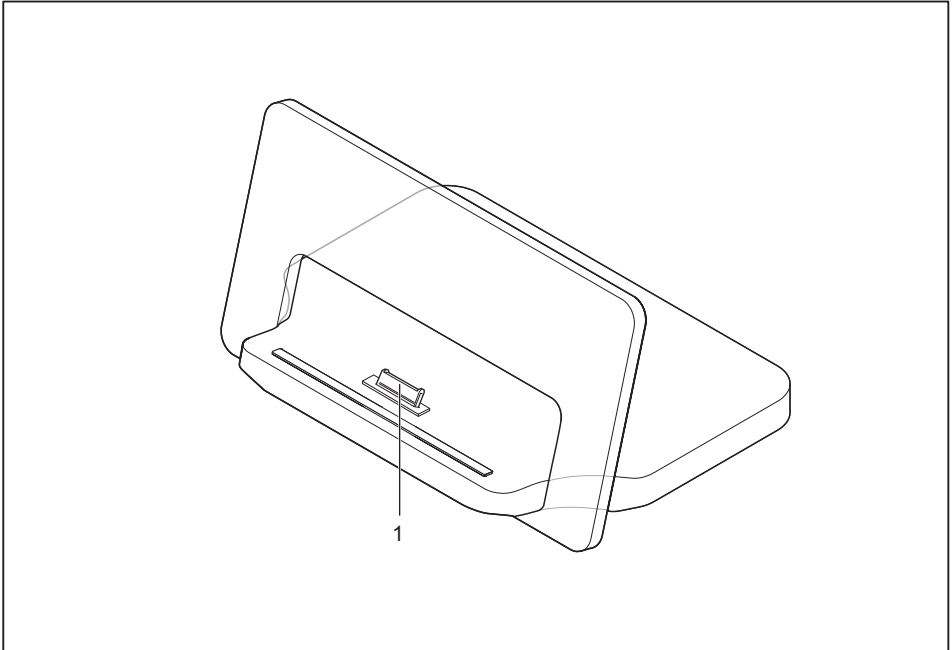
Your Cradle (optional)

Your cradle is a device with whose help you can quickly connect your Tablet PC to your peripheral devices such as a display screen, keyboard, mouse etc.

You need only dock the Tablet PC in order to work with your peripheral devices.

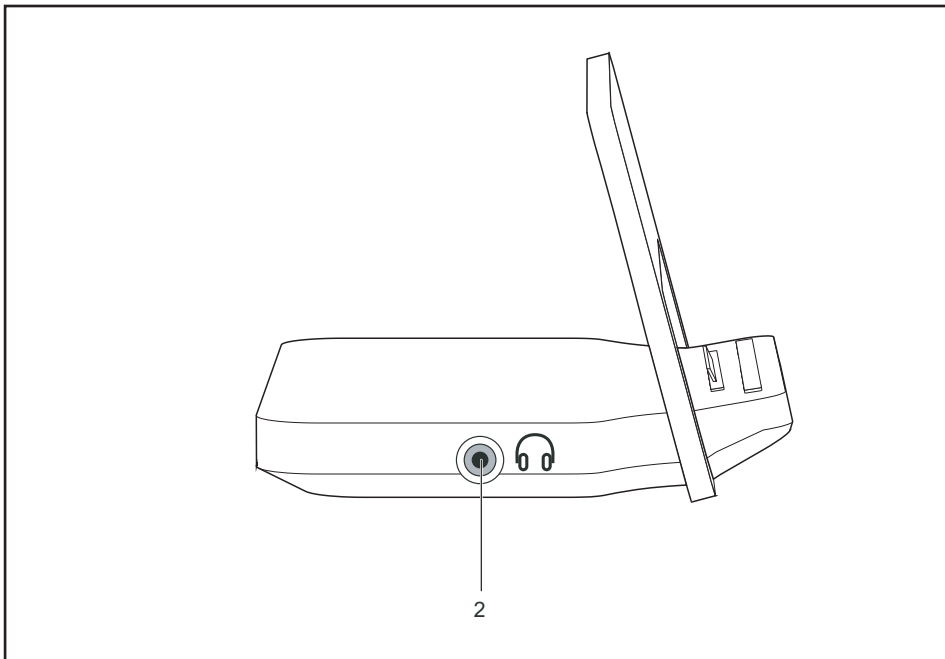
Cradle components

Front



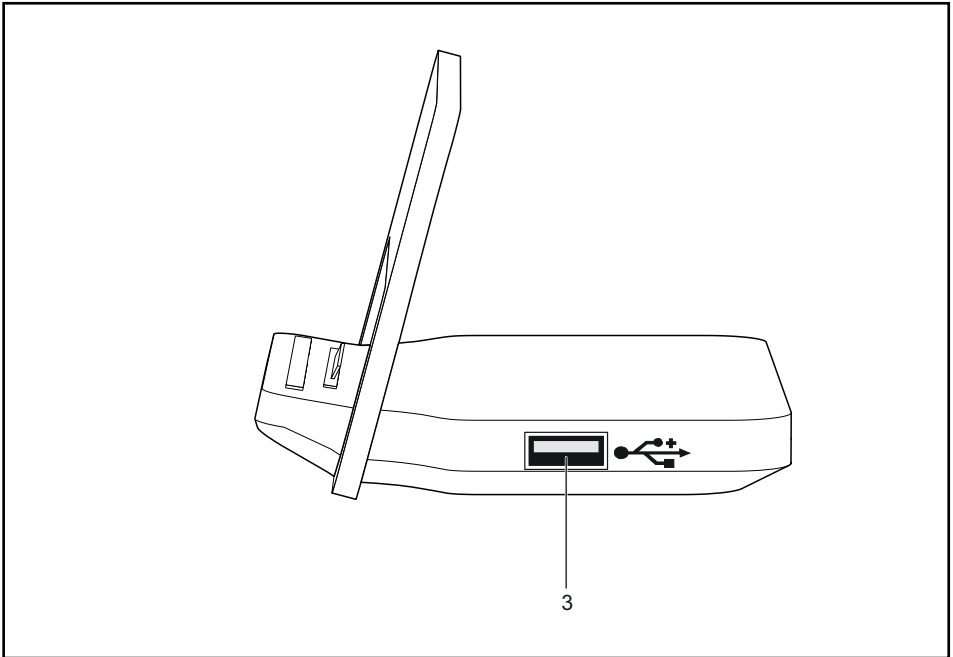
1 = Connector on the Cradle for the docking port of the Tablet PC

Left side



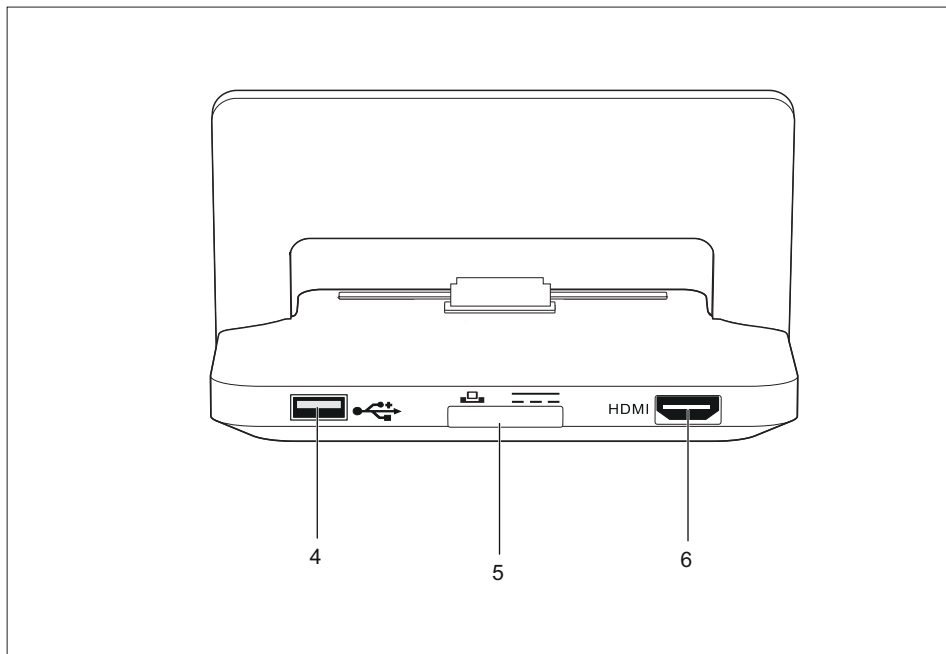
2 = Headphones port

Right side



3 = USB port

Back



4 = USB port

5 = Port for mains adapter

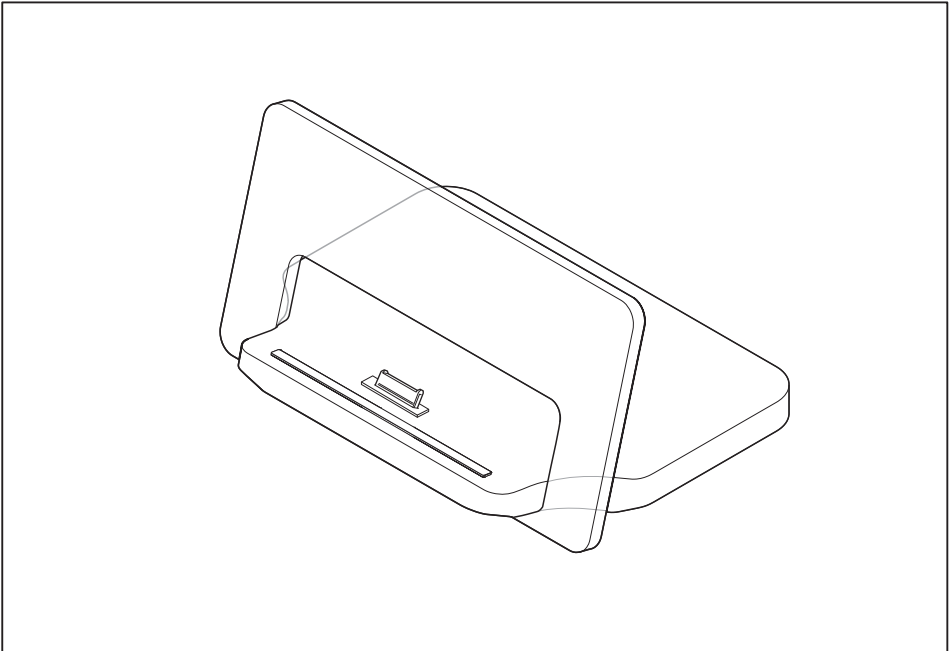
6 = HDMI port

Setting up the Cradle



Select a suitable location for the Cradle before setting it up. Follow the instructions below when doing so:

- Place the Cradle on a flat, stable, nonslippery surface.
- Never place the Cradle and the mains adapter on a heat-sensitive surface.
- Do not expose the Cradle to extreme environmental conditions.
Protect the Cradle from dust, humidity and heat.



- ▶ Position the Cradle as shown in the picture.

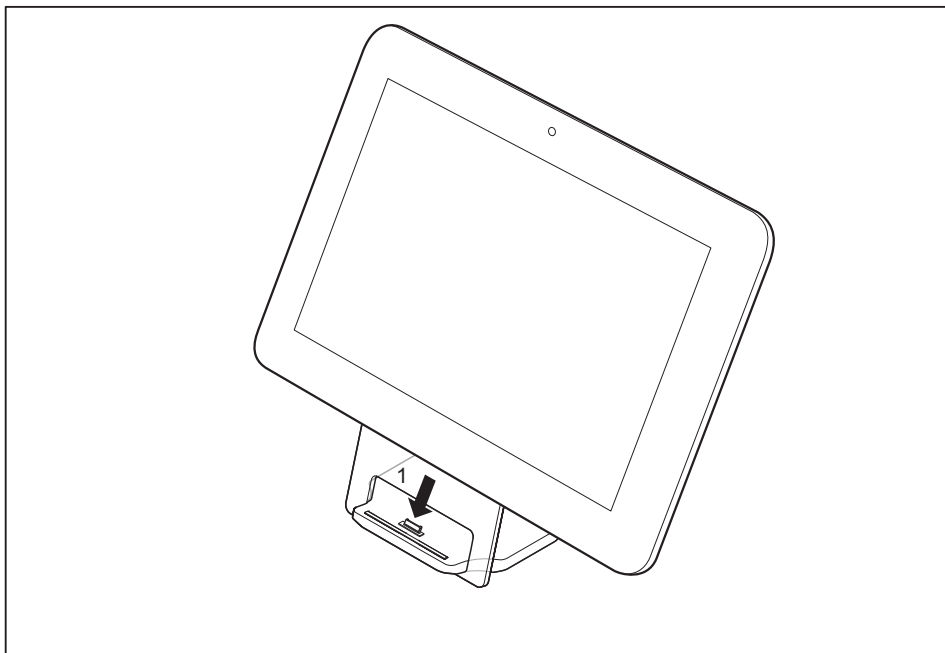
Connecting the Tablet PC to the Cradle



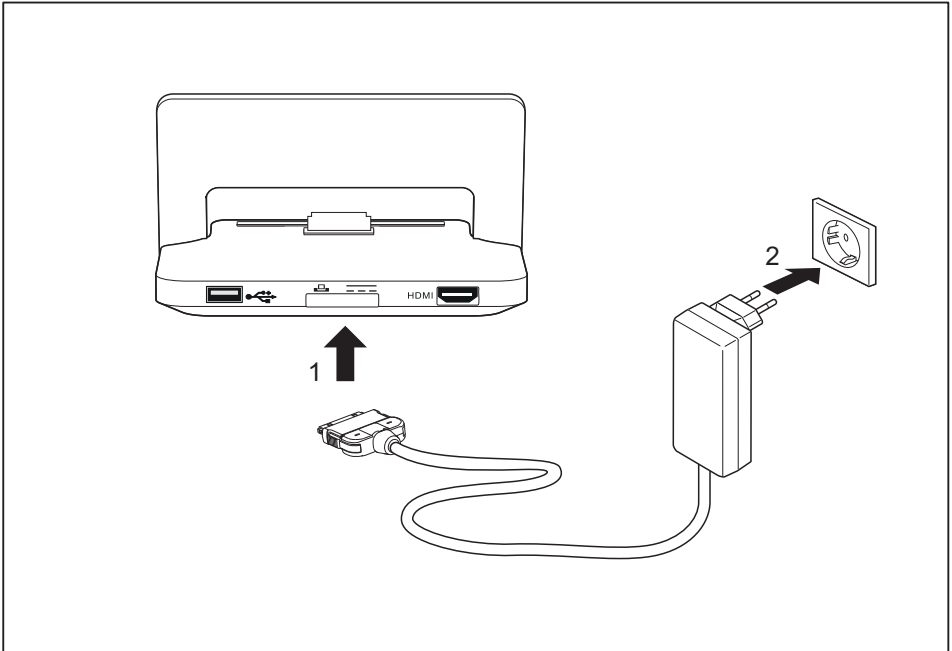
If the Tablet PC is connected to the Cradle, you must connect the mains adapter to the Cradle. Note that the ports for Audio, USB and HDMI can only be used if the Tablet PC is docked to the cradle and the mains adapter is connected.

Note that the docking connector of the cradle is designed to fit to the Tablet PC. Do not dock any other product into the cradle to not cause any damage to the product or the cradle.

- ▶ Remove the power plug of the mains adapter from the mains socket.
- ▶ Pull the mains adapter cable out of the DC jack (DC IN) of the Tablet PC.

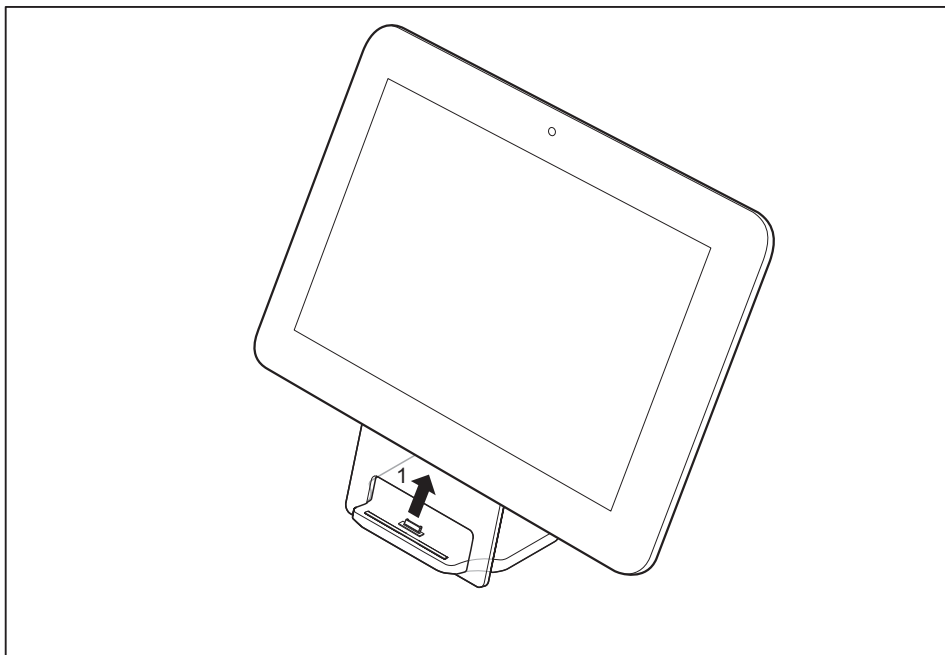


- ▶ Position the Tablet PC so that it is in line with the storage space of the Cradle.
- ▶ Push the Tablet PC on to the Cradle until you notice it engage with the plug (1).



- ▶ Connect the mains adapter cable to the device (1).
- ▶ Plug the mains adapter into a mains socket (2).

Disconnecting the Tablet PC from the Cradle



- ▶ Lift the Tablet PC from the Cradle (1), while supporting the underneath of the Cradle.

Working with Android

Your Tablet PC is pre-installed with the Android 4.0 operating system and many useful apps. Android 4.0 has been specially optimised for the operation of Tablet PCs using the finger, so that you will quickly become familiar with it, without any long training periods.

Initial setup of your device with Android

When you switch on your device for the first time the welcome screen is displayed.

Follow the instructions on the screen.

You can choose your language on the welcome screen. If you wish to set another language, select it from the menu by tapping on it and then confirm with *Start*.

You will be asked for your Google account information during the installation process. If you have not already set this up, you can do so now.



You can skip setting up the Google account and put your Tablet PC into operation without a Google account.

However, some applications require that a Google account is set up, for instance Gmail / Google mail. You can set up the Google account at a later time (see ["Personal settings", Page 49](#)). When you set up a Google account, all emails, contacts, calendar events and other data which are linked to this account will automatically be synchronised with your Tablet PC.

When the installation process is complete, the home screen will be displayed.

Home screen



1 = Google search

2 = Applications and widgets

3 = Back

4 = Home screen (Desktop)

5 = Recent apps



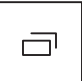
6 = System bar / status display

Navigating on the home screen

There are three navigation buttons shown on the lower left of the home screen. These buttons are always available while your Tablet PC is operating.



If the buttons are not used for some time, they are hidden or replaced by small dots, depending on the app. They are still active however. Simply touch the dot or the corresponding position.

Button	Description
	<p>Back Opens the previous activity which was used. This can also be another app.</p>
	<p>Home screen (Desktop) Displays the central home screen</p>
	<p>Recently used apps Shows a list with the apps which you have recently used. To be better able to identify the apps, thumbnails are shown.</p> <ul style="list-style-type: none"> ▶ To open the app, tap briefly on it. ▶ To delete the app from the list, stroke it to the left or right.

Customising the home screen

Changing between home screens

Five home screens are available. You are on the third screen by default (the central home screen).

- ▶ To change between the five home screens, stroke the home screen toward the left or right with your finger.
- ▶ To return to the central home screen, tap on the *Home screen (Desktop)* button.

Changing the background

- ▶ To change the background for all home screens, tap and hold the finger at a free position on a home screen.
- ↳ A list of options will be displayed, from which you can choose a background:
 - Gallery:
 - Select a photo which you have taken with the camera or which you have downloaded.
 - Select the layout and tap on *Crop* to select the background from the gallery.
 - Live Wallpaper: Select an animated background.
 - Wallpapers: Select a wallpaper from the system.



You can select additional backgrounds from the Google Play Store.

Operation

Using fingers


You can use your finger on the touch screen of your device to execute commands and start applications.

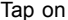
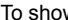
Action	Description
Tapping	<ul style="list-style-type: none"> ▶ Tap on a symbol, menu, button or folder to select this option or to activate it.
Tap and hold	<ul style="list-style-type: none"> ▶ Tap on a button and let your finger stay there longer until the action is taken.
Dragging	<ul style="list-style-type: none"> ▶ Tap and hold a symbol and drag it to another place. <p>You can for instance drag apps or widgets onto the home screen in this way.</p>
Stroke or slide	<ul style="list-style-type: none"> ▶ Stroke your finger quickly on the screen in one direction. <p>In this way you can for instance switch between different home screens.</p>
Double-tap	<ul style="list-style-type: none"> ▶ To enlarge a view, quickly tap twice on a web page, map or another screen. <p>When you double-tap on an image in a web browser, it will be enlarged and another double-tap will make it smaller again.</p>
Zoom in/Zoom out	<ul style="list-style-type: none"> ▶ With some apps (<i>maps, browser and gallery</i>) you can enlarge by putting two fingers on the screen and moving them apart, and make smaller by moving the fingers together.
Input fields	<p>Data must be entered for some apps, for instance an Internet page or your name and password.</p> <ul style="list-style-type: none"> ▶ Tap on the input field. <p>An on-screen keyboard opens, with which you can enter your data.</p>

Entering text via the on-screen keyboard

If you tap on an input field, an on-screen keyboard opens and you can enter text.



Action	Description
Enter text	<ul style="list-style-type: none"> ▶ Move the cursor to the position where you wish to enter text A tab will be shown under the position. ▶ To move the cursor, pull the tab.
Clear button  Delete text or letters before the cursor	<ul style="list-style-type: none"> ▶ Tap on the <i>Clear</i> button. If text before the cursor is selected, the whole selected text will be cleared when you press the <i>Clear</i> button. If no text is selected, only the letter before the cursor will be cleared when you press the <i>Clear</i> button
Selecting text	<ul style="list-style-type: none"> ▶ Tap and hold or double-tap on the text. The nearest word will be highlighted and a tab will be shown at the start and end of the selection. ▶ To change the selection, pull the tabs. The tabs will disappear after a certain time. If you tap on the text again, they will reappear.
Cutting, copying, inserting text	<ul style="list-style-type: none"> ▶ Select a text. ▶ Tap on the <i>Cut</i>, <i>Copy</i> or <i>Paste</i> buttons in the top right-hand corner.
Entering an uppercase letter	<ul style="list-style-type: none"> ▶ Tap the shift key.

Action	Description
Entering several letters in upper case	<ul style="list-style-type: none"> ▶ Hold the shift key during the input. ▶ To switch back to lower case letters, release the shift key. <p style="margin-left: 20px;">or</p> <ul style="list-style-type: none"> ▶ Double-tap on the shift key. ▶ To switch back to lower case letters, tap the shift key again.
Entering numbers and symbols	<ul style="list-style-type: none"> ▶ Tap on the  key. ▶ To show a wider selection, tap on the  key.
Entering special characters	<p>Special characters are shown on the keyboard as small grey coloured fields in the corner.</p> <ul style="list-style-type: none"> ▶ Press and hold down the shift key while you tap on the key for the special character. ▶ Press and hold any key to show alternative characters, symbols or numbers.
Changing the entry language for the keyboard	<p>When the keyboard is shown, a small keyboard icon is visible in the status bar.</p> <ul style="list-style-type: none"> ▶ Tap this icon and choose the language. You can adjust the input languages in the keyboard settings. ▶ Tap on the key for the keyboard settings at the lower left on the keyboard.

Using the dictation function



A mobile or WiFi network is required to be able to use this function.

Using the speech recognition facility from *Google*, you can enter text by dictation. At most places where you can enter text via the keyboard, you can also use the dictation function.

- ▶ To use the speech recognition, tap on the field where you would like to enter text.
- ↳ The on-screen keyboard is displayed.



- ▶ Press the microphone key on the on-screen keyboard.
- ▶ When you see the microphone symbol, speak your text.
- ↳ When you stop speaking, the spoken words are converted into text by the speech recognition program and displayed in the text field with underline.



The underline disappears if you enter more text via the keyboard or via the dictation function. You can delete the underlined text using the delete key.

- ▶ For punctuation, say "comma", "full stop", "question mark" or "exclamation mark".

Messages, status and system symbols

You will be informed of new messages, calendar events, warning messages and app updates etc.

In the system bar or status display (lower right on the home screen), there is a digital clock, with status symbols displayed on its left and system symbols on its right. Status symbols represent app messages. System symbols show the current strength of the wireless and network connections, battery state of charge, etc.

Managing messages

Action	Description
Display messages	▶ Tap on the clock or the symbols.
Reacting to messages.	▶ Tap on the message.
Discarding a message	▶ Slide the message away to the left or right.
Discarding all messages	▶ Tap on the X in the bottom right-hand corner.



When the list with the messages is displayed, you can call up the *Settings* menu by tapping on the "Quick settings" symbol:



Searching with Google

The Google search is arranged in the top left-hand corner of the screen. You can use Google search to search your Tablet PC or the Internet

- ▶ Tap on the Google symbol.

Working with apps/widgets

Action	Description
<p><i>All apps</i> button</p>	<ul style="list-style-type: none"> ▶ With the button on the top right of your screen, you can navigate to all the apps and widgets which are installed on your Tablet PC. ▶ Tap on <i>All apps</i>. <p>All the apps and widgets will be displayed.</p>
Show all apps	
Switching between apps and widgets	<ul style="list-style-type: none"> ▶ Stroke to the left or right to go to the previous or to the next page. <p>or</p> <ul style="list-style-type: none"> ▶ Tap on the <i>Apps</i> or <i>Widgets</i> tab. <p>A list of the apps/widgets is shown.</p>
Starting an app	<ul style="list-style-type: none"> ▶ Tap on the app to start it. ▶ Tap and hold the widget to select it and move it to a free space on a home screen.

Action	Description
Installing additional apps/widgets from the Google Play Store	<ul style="list-style-type: none"> ▶ Tap on the <i>Apps</i> tab. ▶ Tap on the Play Store symbol in the list of apps. <p>or</p> <ul style="list-style-type: none"> ▶ Tap on the store symbol in the upper right corner.
Placing an app or widget on a home screen	<ul style="list-style-type: none"> ▶ Tap on <i>All apps</i>. <p>All the apps and widgets will be displayed.</p> <ul style="list-style-type: none"> ▶ Tap on the corresponding symbol and then hold it. <p>The home screen is displayed.</p> <ul style="list-style-type: none"> ▶ Slide the symbol to a free place on your home screen. ▶ As soon as the symbol is at the desired place, lift the finger. <p>The app or widget is placed at this location.</p> <p>Note: Widgets can have different sizes. If there is not enough space where the app or widget should be placed, it will not be added to the home screen.</p>
Putting apps in a folder	<ul style="list-style-type: none"> ▶ Drag the app to another app and put it down there. <p>A folder with these two apps will be created.</p> <p>You can add further apps to this folder and use various folders to categorise the apps on your home screen.</p>
Opening a folder	<ul style="list-style-type: none"> ▶ Tap on the folder. <p>The list of the apps contained in this folder will be displayed.</p>
Changing a folder name	<ul style="list-style-type: none"> ▶ Open the folder on the home screen and type on the name.
Removing an app, folder or widget from a home screen.	<ul style="list-style-type: none"> ▶ Tap and hold the symbol and slide it upwards onto the edge of the screen to the "X Remove" area.

Settings

Managing the WiFi network

Everywhere that there is a wireless access point, you can make a connection to a network.

Action	Description
Making a network connection	<ul style="list-style-type: none"> ▶ From <i>All apps</i>, select the option <i>Settings</i>. ▶ To switch on the WiFi or WLAN, slide the switch to ON. <p>Your Tablet PC searches for available WiFi networks and displays a list of those it has found.</p> <ul style="list-style-type: none"> ▶ Select a network. <p>You will be asked to enter your logon information.</p>
Entering the proxy server for the network	<p>Proxy settings are used by browser apps but not by other apps.</p> <ul style="list-style-type: none"> ▶ If your network requires a proxy server, tap and hold the network name in the WiFi settings. ▶ Select <i>Connect to network</i> to connect to a new network. ▶ Select <i>Modify network</i> to change the settings of the current network connection. ▶ Select <i>Show advanced options</i>, to enter the proxy settings.
Changing existing network connections	<ul style="list-style-type: none"> ▶ Tap on the network name and hold the network name. ▶ Select <i>Modify Network</i>. <p>If you save these network settings, the next time that you are in this district your device will automatically make a connection with these settings.</p>
Removing network connection (deactivating automatic connection or if this will no longer be used)	<ul style="list-style-type: none"> ▶ Tap on the network name and hold the network name. ▶ Select <i>Forget network</i>.
Customising WiFi information, rules and other advanced options	<ul style="list-style-type: none"> ▶ Tap on the menu button. ▶ Select <i>Advanced</i>.

Establishing a Bluetooth connection

- ▶ From *All apps*, select the option *Settings*.
- ▶ To switch on the Bluetooth, slide the switch to ON.
- ↳ A list of the available Bluetooth devices in your vicinity is displayed.



When you use a new Bluetooth device for the first time, the two devices must be "paired" so that a secure connection can be made. Afterwards, the devices automatically create a connection. The devices stay paired until you cancel the connection.

- ▶ Under *Settings*, select the option *Bluetooth*.
- ↳ Your device searches for Bluetooth devices within range and shows them.
- ▶ Select the device with which you wish to connect your Tablet PC and follow the instructions.

Limiting data volumes for mobile data use

You can give your mobile data use a limit, so that the mobile network switches off when the data volume is reached.

- ▶ From *All apps*, select the option *Settings*.
- ▶ Select *Data usage*.
- ↳ The previous data volume usage will be shown. You can specify a limit for mobile data.

Setting Airplane mode, VPN, Tethering & portable hotspot, WiFi direct and mobile networks

- ▶ From *All apps*, select the option *Settings*.
- ▶ Select *More...*, to make further settings.

The following options are possible:

Option	Description
Airplane mode	All radio connections of your Tablet PC will be disabled when this mode is set.
VPN	Permits connection to virtual private networks.
Tethering and mobile hotspots	Tethering allows the use of your Tablet PC as a modem, so that external devices which are connected via USB, WiFi or Bluetooth can make an Internet connection.
Wi-Fi direct	Starts the WiFi direct operation to directly connect two Wi-Fi direct-capable devices without the need for a hotspot. This will turn off WiFi client hotspot operation.
Mobile networks	Manage all the settings and options for mobile data networks. This includes the activation/deactivation of mobile data networks and data roaming, as well as the management of APNs (Access Point Names) and network administrators.



When the SIM card is inserted, your network settings are automatically configured for your provider. If your network settings are not automatically configured, ask your mobile network provider for the settings and enter this data under *Mobile networks*.

After insertion of the SIM card, the device must be restarted so that the network settings are enabled.

Device settings

► From *All apps*, select the option *Settings*.

↳ In the *Device* section you have the following options:

Option	Description
Sound	For setting the volumes (for alarms, notifications, music, video, games and other media), ring tones, vibrate, ring setting.
Display	To set the brightness, Wallpaper, Auto-rotate screen, Sleep mode and font size information. Ambient light sensor The ambient light sensor adapts the brightness depending on the ambient light. You can enable and disable automatic brightness in the <i>Brightness</i> menu. Sensor for recognising the screen orientation The sensor detects the orientation and changes the screen view accordingly. You can enable or disable automatic turning of the screen display via the <i>Auto-rotate screen</i> control box.
Storage	Informs you of the internal and external storage usage and free storage space and allows you to unmount the SD card.
Battery	Shows the battery state of charge and battery consumption data as well as a list of the applications and their battery usage in percent.
Apps	Displays the following app lists: <ul style="list-style-type: none"> • All the pre-installed apps and in addition the apps installed from the Google Play Store • Only additionally installed apps (downloaded) • Apps on the SD card • Only active applications By tapping on an app you can de-install it (if it was additionally installed from the Google Play Store), force stop the application or erase data and cache.

Personal settings

► From *All apps*, select the option *Settings*.

↳ In the *Personal* section, you have the following options:

Option	Description
Accounts and sync	You can use several Google accounts and Microsoft Exchange ActiveSync accounts on your device. Depending on your apps, you can possibly also add or delete other accounts.
Location services	You can enable or disable Google location services and GPS satellites.
Security/screen security	<p>Screen Security: You may wish to lock your Tablet PC to prevent unauthorised access. If a screen lock was set up, the screen locks automatically when your Tablet PC switches to the quiescent state.</p> <p>There are the following options for the screen lock:</p> <p>Slide</p> <p>Offers no protection. You do however reach the home screen quickly or can open the camera immediately with a stroking movement. To unlock and return to the home screen, stroke towards the right. Stroke to the left to open the camera.</p> <p>Pattern</p> <p>Offers minimal protection. The locking can be overridden by a simple pattern with the finger.</p> <p>PIN</p> <p>Requires four or more digits; longer PINs are generally more secure.</p> <p>Password</p> <p>At least four or more characters are required. The best security is offered by a password with 8 characters, consisting of digits, letters and special characters and which does not contain any easy to guess words or phrases.</p> <p>Owner information</p> <p>You can enter a text such as name and telephone number via the owner information; these will then be displayed on the locked screen.</p>

Option	Description
Security/encryption	<p>You can encrypt all the data on your Tablet PC: Google accounts, application data, music and other media, downloaded information etc. Encryption offers additional protection if your Tablet PC is stolen and it may be required or recommended in some companies.</p> <p>If there is encryption however, every time your Tablet PC is switched on you have to enter a numeric PIN or a password. Note that this must be the same password or the same PIN that you have used to lock the screen. A separate password cannot be set up.</p> <p>Warning: An encryption is irreversible. The only way to remove an encryption is to reset your Tablet PC to the factory settings.</p> <p>Setting up encryption</p> <p>Contact your system administrator before you set up encryption. In many cases, the PIN or the password for the encryption is managed by the system administrator. Before you enable encryption, make the following preparations:</p> <ul style="list-style-type: none"> ▶ Enter a PIN or a password for the screen locking. ▶ Connect your Tablet PC with the mains power system. ▶ Plan for about one hour for the encryption process: The encryption process must not be interrupted; an interruption will cause you to lose some or all data.
Security / Device Administration	<p>You can view or deactivate device administrators of our tablet.</p> <p>When deactivating <i>Unknown sources</i>, you are allowed to install apps from other sources than from the Google Play Store. If this is activated, apps are only allowed to be installed from the Google Play Store.</p>
Security / Credential Storage	<p>You can use digital certificates to identify your device for a variety of purposes, including VPN or WiFi-network access as well as authentication to servers by apps such as Email or Browser. To use a certificate, you must obtain it from your system administrator and install it in your device's trusted credential storage.</p>
Language and input	<p>You can change the language, enable or disable spelling and change the keyboard and language settings and manage your personal dictionary.</p>
Backup and reset	<p>You can perform a backup of your settings and other data which are associated with one or more of your Google accounts. If you replace your device or have to reset it to the factory settings, you can access your previously saved data on this account and restore your data.</p>

Option	Description
Backup and reset / backup my data	<p>When you enable the option "Back up my data", a major part of your data is automatically saved, this also includes:</p> <ul style="list-style-type: none"> • your WiFi passwords • your browser bookmarks • the list of your apps which you have installed via the App Market (now Play Store) • the words which you have entered in the dictionary used by the on-screen keyboard • most of the settings which you have made <p>Some apps from third-party suppliers can also use this function, so that you can recreate your data after reinstallation of an app.</p> <p>If you disable this option, your data will no longer be secured through a backup and the existing backups will be deleted from your Google accounts.</p>
Backup and reset / backup account	<p>Shows the Google accounts where the information is backed up. On a new or reset device, you must register for one or more accounts to be able to access the corresponding information.</p> <p>► To add a new account, select <i>Backup account - Add account</i>.</p>
Backup and reset / Automatic restore	<p>► Enable this option "Automatic restore" to restore the settings and other data when an app is reinstalled. This function requires that you back up your data via a Google account and that the app uses the backup service.</p>
Backup and reset / reset to the factory data	<p>Deletes all personal data on the internal memory, including information on your Google account, other accounts, your system and app settings, downloaded applications, your music, photos, videos and other files.</p> <p>► To reset the Tablet PC to the factory data, select <i>Factory data reset</i>.</p> <p>After resetting your Tablet PC, you must enter the same data that you entered during the first setup. If you have backed up the data on a Google account, you can restore the data during the setup.</p>

System settings

► From *All apps*, select the option *Settings*.

↳ In the "System" section you have the following options:

Option	Description
Date and time	To set the date, time and time zone. Select the time format (12 hour or 24 hour clock) and the display format for the date.
Accessibility options	E.g., TalkBack, large fonts, automatic turning of the screen or spoken password input
Developer options	E.g., USB debugging or user interface options
About the tablet	E.g., serial number of the tablet, unique IMEI number, status and detailed tablet information. You will find the serial number in the Status menu.

System updates

Fujitsu Technology Solutions can make system updates available for your Tablet PC, to resolve problems or to update the operating system or applications.

You can choose between two update methods:

- Over-the-air (OTA): Updating over the Internet directly from your Tablet PC
- Updating via an external memory card (micro SD card)



Fujitsu Technology Solutions accepts no responsibility for loss of your data after a system update.

Before an update, you should without fail perform a data backup.



To backup your data you have the following options:

- Use your Google account to backup your data. See section ["Personal settings", Page 49](#).
- Connect the tablet with a USB cable to a Desktop PC or notebook and copy the files and folders from the tablet to the PC or notebook
- Install a backup software from the Google Play Store to perform a backup.
- You can use the pre-installed ES File Explorer to backup your installed apps.



System updates are only possible to newer system versions. Installations of system updates with the same version or older than the version of the system are rejected.

Verify that the download image is the correct one for your model and is a newer version than on your system. Proceed as follows:

- ▶ Check the current system by selecting *Settings* — *About tablet* and checking the Build Number (System Image) :

5.N06000.0505JPN-enFR.120423.0

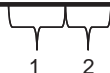


1 = Version name

2 = Model name

- ▶ Check the download image:

CHAGALLF06005.pkg



1 = Version name

2 = Model name

The model names must be identical

The version number of the download image should be greater than that of the system image

Over-the-air (OTA)

- ▶ From the *All Apps* select *Settings*
- ▶ Touch *About tablet* and then *System updates*
- ▶ If you have installed multiple Internet browsers select your browser of choice.
- ↳ A website opens.
- ▶ Read and follow the directions on the web site to download the system update file.
- ▶ When the download has finished, go to *All Apps* and select the *Downloads* app.
- ▶ Select the system update file which you have just downloaded.
- ↳ The system update starts.
- ▶ Follow the instructions on the screen to perform the system update.

Updating via an external memory card (micro SD card)

- ▶ Open the Internet browser on your Tablet PC or another computer.
- ▶ Navigate to "<http://support.ts.fujitsu.com>".
- ▶ Select *Drivers & Downloads*.
- ▶ Search for your Tablet PC in the list of devices.
- ▶ Download the system update package.
- ▶ Copy this system update package onto an external memory card (micro SD card).
- ▶ Slide the memory card (micro SD card) into your Tablet PC.
- ▶ Switch your Tablet PC off by one long press of the ON/OFF switch and confirm the question on the shut down with *OK*.
- ▶ Switch your Tablet PC on again.
- ▶ When you see the Android logo on the screen, press the ON/OFF switch and the volume button (increase volume) and keep them pressed for 2 seconds and then release them.
- ↳ After a few seconds you reach the Recovery mode.



If the Fujitsu logo appears on the screen, then you have not reached the recovery mode. Repeat the above step until you reach the recovery mode.

- ▶ Select *apply update from external storage*.



Navigate as follows through the menu:

- Volume button (increase volume) to select an option above the current option
- Volume button (decrease volume) to select an option below the current option
- ON/OFF switch to confirm the selection

- ▶ Follow the instructions on the screen to perform the system update.
- ↳ After the system update has completed, you will be in the Recovery mode again.
- ▶ Select *Reboot system now* to finish the system update.

Apps

In the following section you will find a list of some of the practical apps which are pre-installed on your Tablet PC. Via the Google Play Store, you have direct access to practical apps for games and much more, which you can download and install on your Tablet PC.



To have access to the Google Play Store, you need a Google account and Internet access.



Fujitsu Technology Solutions is not liable for malfunctions which are caused by additional apps which you have installed. In such cases, a repair is chargeable, even within the warranty period.

Fujitsu Technology Solutions is not liable for any damages incurred by you or a third party provider, arising from an installation performed by you.

Always check the security of additional applications. Installation is carried out at your own risk. A Norton Tablet security package is pre-installed on your Tablet PC. Activate this software to protect yourself against attacks from the Internet and from malicious software.



If they were not pre-installed on your Tablet PC, Fujitsu Technology Solutions does not furnish any guarantee nor give any support for apps from third party suppliers.



Some applications automatically make an Internet connection and communicate. Note that this may lead to higher telecommunication costs. Some of the software on your Tablet PC is using Open Source Software (OSS). You can view a list of all such software together with the appropriate open source licenses in *All Apps > Settings > Legal Information*.

Applications

Below you find a short description of some selected Google applications. Note that the table shows English app names, as displayed in the English operating system. The app names may differ in other operating system languages.

App	Description
Browser	Displays web pages from the Internet
Downloads	Offers easy access to downloaded files
Settings	Allows system and personal settings on your Tablet PC
Email	Manages your emails from various accounts
Gallery	Displays pictures and videos on your Tablet PC
Google-Mail / GMail	Manages your Google mail
Google+	Google Social networking
Calendar	Calendar application
Camera	Creates pictures and videos with the rear or front camera
People	Manages your contacts

App	Description
Latitude	Exchanges your own location and that of your friends and shows these on a map
Maps	Find local businesses, view maps and get driving directions
Music	Plays your favourite music
Navigation	Shows the route and directions to your destination
Places	Classifies places and gives recommendations
Google Play Store	Offers access to Android apps, games and more
Messaging	Manages your SMS/MMS messages
Sound Recorder	Allows recordings of messages
Talk	Allows you to chat with your Google Talk contacts
Movie Studio	Allows video editing
YouTube	Shows YouTube videos

Below you find a short description of applications which come preinstalled with your system to enhance productivity.

App	Description
Absolute Computrace	<p>Your Tablet PC is equipped with Computrace® persistence technology from Absolute® Software.</p> <p>Once enabled, the Computrace persistence technology creates a permanent connection to your device. If the device is lost or stolen, it can be frozen with this technology, data can be deleted and other remote security or administrative functions can be performed.</p> <p>Note: This technology is disabled by default. A separate license is required to enable the Computrace persistence technology. Contact your local dealer.</p> <p>Vendor: Absolute Software</p> <p>Web page: "http://www.absolute.com/absolute-tablet"</p>
Adobe Reader	<p>Adobe Reader is a software across platforms and devices to view and approve PDF documents.</p> <p>It allows easy and efficient access to a large number of PDF file types, including PDF portfolios, password protected PDF documents and Adobe LiveCycle Rights Management. Adobe Reader permits fast, high quality interaction with PDF files on your Android Tablet PC.</p> <p>Vendor: Adobe Systems Incorporated</p> <p>Web site: "http://www.adobe.com/products/reader.html"</p>
Citrix Receiver	<p>Citrix Receiver allows remote access to your XenApp apps and Desktops. If your company uses Citrix to host applications, you can use Citrix Receiver to call up your emails, check documents, track project dashboards and costs from your Android Tablet PC.</p> <p>Vendor: Citrix Systems, Inc.</p> <p>Web site: "http://www.citrix.com"</p>

App	Description
ES File Explorer	<p>ES File Explorer is a feature-rich file and applications manager and FTP client for your Tablet PC. ES File Explorer permits Android users across the world to manage their resources and use 3G, EDGE or WiFi to share with friends, upload photos or view videos.</p> <p>Using ES File Explorer you can create backups of your apps, including those which were additionally installed from the Google Play Store:</p> <ul style="list-style-type: none">▶ Open the menu in ES File Explorer.▶ Tap on <i>Manager</i> and select <i>App manager</i> from the list shown. The app manager shows all your installed apps.▶ Tap on the app and hold the app.▶ Select <i>Backup</i> to back up the app.▶ Alternatively, you can select all apps by tapping on <i>Select all</i> and then selecting <i>Backup</i> to perform a backup for all apps.▶ The apps which were backed up are stored in the folder backups/apps. <p>Vendor: EStrong's, Inc. Web site: "http://www.strongs.com"</p>
iTap mobile RDP	<p>You can use iTap RDP to create a fast and secure remote connection to your Windows Desktop. You can manage your Windows Desktop with your Android Tablet PC. You can quickly access your device from anywhere under Microsoft RDP protocols using iTap mobile RDP.</p> <p>Vendor: HLW Software Development GmbH Web site: "http://itap-mobile.com"</p>
Norton Tablet Security	<p>Protects your Tablet PC, your personal data and other important information against loss, theft, viruses and other threats.</p> <p>Automatically scans downloaded apps and app updates for threats.</p> <p>Shows you exactly where your Tablet PC is, so that you can immediately find it.</p> <p>Requires only minimal resources from your Tablet PC and does not slow your browser.</p> <p>Vendor: Symantec Corporation Web site: "http://www.symantec.com"</p>

App	Description
PowerDVD Mobile	<p>You can use PowerDVD to gain wireless access to your home media and devices. No matter whether you have saved your media content on a mobile device or network storage, you can share, stream, move and playback your media.</p> <p>You can use PowerDVD Mobile to playback videos and music and to display photos on your mobile device, and if you have taken them with your mobile device you can improve photos with a single click.</p> <p>You also can transfer media content from your mobile device to a DLNA TV or to another mobile device.</p> <p>Note: when streaming videos from PowerDVD Mobile to a DLNA TV device, the supported file format depends on the formats which the DLNA TV supports.</p> <p>Vendor: Cyberlink Corp.</p> <p>Web site: "http://www.cyberlink.com"</p>
TegraZone	<p>You can use the TegraZone app to easily access games optimised for the Tegra mobile processor. Discover unique premium games for Android with highly realistic high resolution visual effects for the optimum use of your Tablet PC.</p> <p>Vendor: NVidia</p> <p>Web site: "http://www.tegrazone.com"</p>
ThinkFree Office Mobile for Android	<p>Office suite for optimum Tablet use</p> <ul style="list-style-type: none"> • Innovative interface design which is very similar to a Desktop environment. • Supports Multitouch and Easy Scroll • Best file format compatibility and power in its class • Documents can be stored in the Cloud • Files can be synchronised, uploaded and released between Cloud storage and the mobile device. • Data management under user control • Best Office document management <p>Vendor: Hancm Inc.</p> <p>Web site: "http://mobile.thinkfree.com"</p>
TouchDown HD for Tablets	<p>Secure synchronisation of your company email, contacts, calendar and tasks with your Tablet PC. TouchDown HD loads emails, contacts, calendar and tasks from the exchange server of your company and offers a view in tabbed window format.</p> <p>Vendor: Nitrodesk Inc.</p> <p>Web site: "http://www.nitrodesk.com"</p>

App	Description
VMware View	<p>With VMware View Client for Android, you can easily use the Windows Desktop of your Android Tablet PC to access a Local Area Network (LAN) or a Wide Area Network (WAN). When you are travelling, your Windows based VMware View virtual Desktop always gives you access from your Android Tablet PC.</p> <p>Vendor: VMWare, Inc.</p> <p>Web site: "http://www.vmware.com/products/view/overview.html"</p>

Connecting external devices



Under all circumstances, observe the safety notes provided in the ["Important notes", Page 11](#) chapter before connecting or disconnecting any devices to or from your Tablet PC.

Always read the documentation supplied with the device you wish to connect.

Never connect or disconnect cables during a thunderstorm.

Never pull at a cable when disconnecting it. Always grasp the plug.

Adhere to the order described below when you connect external devices to the Tablet PC or separate them from it:



With some devices, such as USB devices, it is not necessary to switch off the Tablet PC and the device before connecting/disconnecting. For more information about whether or not devices need to be switched off, refer to the documentation supplied with the external device.

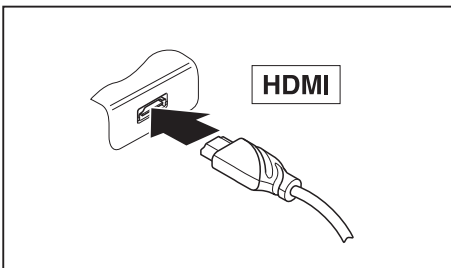


Note that the docking connector of the cradle is designed to fit to the Tablet PC. Do not dock any other product into the cradle to not cause any damage to the product or the cradle.

Note that the ports for Audio, USB and HDMI can only be used if the Tablet PC is docked to the cradle and the mains adapter is connected.

HDMI port

You can use the optionally available cradle or the optionally available USB/HDMI adapter to connect HDMI capable end devices such as an LCD, plasma TV or video projector.



- ▶ Place the Tablet PC in the cradle or connect the USB/HDMI adapter with the docking port.
- ▶ Connect the data cable to the HDMI port of the cradle or the USB/HDMI adapter.

Connecting USB devices

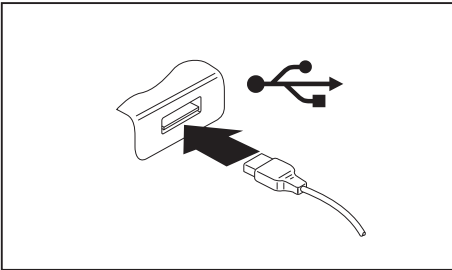
Your Tablet PC has a micro USB port. With the USB cable that comes with your Tablet PC you can connect your Tablet PC to a notebook or desktop PC for data exchange. With the optionally available Cradle and HDMI/USB adapter you can connect human interface devices like keyboard and mice or mass storage devices like flash memory sticks. Please check the manual of the device if it is supported by Android.



USB devices are hot-pluggable. This means you can connect and disconnect devices while your operating system is running.

USB 2.0 has a data transfer rate of up to 480 Mbit/s.

Additional information can be found in the documentation for the USB devices.



- ▶ Connect the data cable to the external device.
- ▶ Connect the data cable to a USB port, to the cradle or to the USB/HDMI adapter of the Tablet PC.



Device drivers

USB devices will be automatically recognised and installed by your operating system.

How to remove USB devices correctly

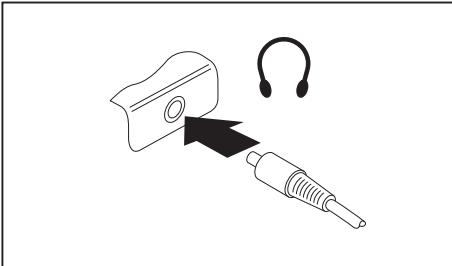


Always correctly remove the device according to the rules described below, to ensure that none of your data is lost.

- ▶ Select *Settings > Storage > Unmount USB device*.
- ↳ It is now safe to remove the USB device.

Headphone port

You can connect headphones, a microphone or external loudspeakers to your Tablet PC via the headphones port.



- ▶ Connect the audio cable to the headphone port of the Tablet PC.
- ↳ The internal loudspeakers are disabled.



If you purchase a cable from a retailer, note the following information:

The headphone port on your Tablet PC is a "3.5 mm jack socket".

If you want to connect headphones or a speaker you will need a "3.5 mm jack plug".

Troubleshooting and tips



Follow the safety notes in the "Safety/Regulations" manual when connecting or disconnecting cables.

If a fault occurs, try to correct it as described. If you fail to correct the problem, proceed as follows:

- ▶ Make a note of the steps and the circumstances that led to the fault. Also make a note of any error messages displayed.
- ▶ Switch the Tablet PC off.
- ▶ Contact the Hotline/Service Desk.



You can find the telephone numbers in the service desk list. Have the following information ready when you call:

- The model name and serial number of the Tablet PC. The serial number is located on a sticker on the underside of the Tablet PC.
- Alternatively, you can look up the serial number in the operating system: Select *Settings > About the tablet > Status*. The serial number is stored in the *Serial number* field.
- Notes of any messages that appear on the screen and information on acoustic signals.
- Your system configuration and all peripheral devices connected to your system.
- Your sales contract.

Help if problems occur

Should you encounter a problem with your computer that you cannot resolve yourself:

- ▶ Note the serial number of your device. You will find the serial number on the sticker on the back of the Tablet PC.
- ▶ For further clarification of the problem, contact the Service Desk for your country (see the Service Desk list or visit the Internet at "<http://ts.fujitsu.com/support/servicedesk.html>"). Have the serial number of your system ready for this purpose.

Using the Reset button

If the device no longer reacts to input or the ON/OFF switch, use the Reset button to restart the device.

- ▶ Disconnect the device from the mains adapter.
- ▶ Open the slot cover of the SIM card and the memory card.
- ▶ Press a pen or a piece of wire (e.g. a paperclip) firmly into the opening of the Reset button to restart the device.
- ▶ Your device vibrates briefly to confirm the reset.
- ▶ Replace the slot cover.
- ▶ Connect the mains adapter to the device again.

The Tablet PC's date or time is incorrect

Cause	Troubleshooting
Time and date are incorrect.	<ul style="list-style-type: none"> ▶ Select <i>Settings > Date & Time</i>. ▶ Adjust the settings.
Date and time are still set incorrectly after switching on the Tablet PC.	<ul style="list-style-type: none"> ▶ Contact your sales outlet or our Hotline/Service Desk.

The display on the Tablet PC's touchscreen is difficult to read

Cause	Troubleshooting
Reflected glare	<ul style="list-style-type: none"> ▶ Move the Tablet PC into a different position. ▶ Increase the brightness of the screen.

The external monitor remains blank

Cause	Troubleshooting
Monitor is switched off.	<ul style="list-style-type: none"> ▶ Switch the external monitor on.
Power saving has been activated (monitor is blank).	<ul style="list-style-type: none"> ▶ Press a key (external keyboard) or tap on the touchscreen.
Brightness is set to dark.	<ul style="list-style-type: none"> ▶ Adjust the brightness of the monitor.
The external monitor's power cable or data cable is not connected properly.	<ul style="list-style-type: none"> ▶ Switch off the Tablet PC and the external monitor. ▶ Check whether the power cable is plugged properly into the external monitor and into the power socket. ▶ Check whether the data cable is properly connected to the Tablet PC and the external monitor (if it is plugged in with a connector). ▶ Switch on the Tablet PC and the external monitor.

The Tablet PC does not start after switch on

Cause	Troubleshooting
The power adapter is not connected correctly.	<ul style="list-style-type: none"> ▶ Check whether the mains adapter is connected correctly to the Tablet PC. ▶ Switch on the Tablet PC.

The Tablet PC stops working

Cause	Troubleshooting
The Tablet PC is in energy saving mode.	▶ Leave the energy saving mode: Press the ON/OFF switch.
An application programme has caused the malfunction.	▶ Close the application program or restart the Tablet PC (by restarting the operating system or switching the device off and back on again).
The battery is dead.	▶ Charge the battery. or ▶ Connect the mains adapter to the Tablet PC.
The Tablet PC does not respond to inputs.	▶ Restart the Tablet PC manually (see "Using the Reset button", Page 62)

The radio connection to a network does not work

Cause	Troubleshooting
The wireless component is disabled.	▶ Switch the radio component on (see "Switching the wireless components on and off", Page 26).
The wireless component is enabled. Despite this, the wireless connection to a network does not work.	▶ Check that the wireless connection is correctly set up via the <i>Settings</i> .

The battery discharges too quickly

Cause	Troubleshooting
You may have an application running that consumes a great deal of power due to frequent accessing of radio, GPS or network connections.	▶ Use the mains adapter as frequently as possible. ▶ Close unnecessary applications, reduce the frequency of the access to radio components or the network or switch off the radio components in a targeted way via the settings.
The maximum brightness may have been set for the screen.	▶ Reduce the brightness of the screen to lower energy consumption: you will find the adjustment under <i>Settings > Display > Brightness</i> .

Acoustic warnings

Cause	Troubleshooting
A beep sounds every few seconds. The battery is almost flat.	▶ Charge the battery.

Technical data

Tablet PC

General	
Processor	NVIDIA® Tegra® 3 T30S, Quad Core ARM Cortex A9 (1.4 GHz)
Main memory (SO DIMM)	1GB LPDDR2 onboard
Electrical data	
Safety regulations complied with	CE
Protection class	II
Maximum power consumption: (Tablet PC on with battery charging)	30 W
Touchscreen	
Size	25.7 cm (10.1 inches) TFT WXGA
Resolution	1280 x 800 pixels
Pixel class	II
Technology	Wide-view high brightness LED display with Gorilla Glass
Cameras	<ul style="list-style-type: none"> • Front: 2.0 Megapixels • Back: 8.0 Megapixels with autofocus and flash
Maximum resolution on external display:	Full HD 1920 x 1080 pixels
Dimensions	
Width x depth x height	262.6mm x 175.4mm x 8.6mm
Weight	0.56 kg
Input devices	
Tablet buttons	Power button, volume up and down and reset button
Slots	
Micro SD card slot	1 x
SIM card slot	1 x
Ports	
HDMI port	1 x (optionally via cradle or HDMI/USB adapter)
Headphones / Line In / Line Out	3.5 mm stereo mini jack
Docking port	1 x
Micro USB (Universal Serial Bus)	1 x USB 2.0
Ambient conditions	
Environment class DIN IEC 721	7K1
Mechanism class DIN IEC 721	7M2
Operating temperature	5 °C 40 °C
Transport temperature (2K2)	-30 °C 60 °C

Rechargeable battery



You can find information on the batteries used in your device at ["http://ts.fujitsu.com/support"](http://ts.fujitsu.com/support).

	2-cell Lithium Polymer 3170 mAh rechargeable battery
Rated voltage	12 V
Rated capacity	38 Wh

Mains adapter 30 W

Rated voltage	19 V
Max. rated current	1.58 A

Cradle (optional)

Electrical data	
Safety regulations complied with	CE
Protection class	II
Ports	
USB (Universal Serial Bus)	2 x USB 2.0
Docking port	30-pin
Ambient conditions	
Environment class DIN IEC 721	7K1
Mechanism class DIN IEC 721	7M2
Operating temperature	5 °C 35°C
Transport temperature	-15 °C 60 °C

Manufacturer's notes

Disposal and recycling

Information about this subject can be found on your Tablet PC or on our Internet pages.

Declarations of Conformity

The "Declarations of Conformity" for the device can be found at our Internet address under: ["http://ts.fujitsu.com/ce"](http://ts.fujitsu.com/ce).

Fujitsu Technology Solutions hereby declares that your device is in compliance with the essential requirements and other relevant provisions of Directive 1999/5/EC.

CE marking



CE marking for devices with radio component

This equipment complies with the requirements of Directive 1999/5/EC of the European Parliament and Commission from 9 March, 1999 governing Radio and Telecommunications Equipment and mutual recognition of conformity.

This equipment can be used in the following countries:

Belgium	Bulgaria	Denmark	Germany
Estonia	Finland	France	Greece
UK	Ireland	Iceland	Italy
Latvia	Liechtenstein	Lithuania	Luxembourg
Malta	The Netherlands	Norway	Austria
Poland	Portugal	Rumania	Sweden
Switzerland	Slovakia	Slovenia	Spain
Czech Republic	Hungary	Cyprus	

Contact the corresponding government office in the respective country for current information on possible operating restrictions. If your country is not included in the list, then contact the corresponding supervisory authority as to whether the use of this product is permitted in your country.

Regulatory notices



If there is no FCC logo and also no FCC ID on the device then this device is not approved by the Federal Communications Commission (FCC) of the USA. Although it is not explicitly forbidden to travel in the US trading area carrying this device, to avoid trouble at customs clearance, Fujitsu Technology Solutions GmbH recommends not to bring this device into the US trading area.

Regulatory information for Tablet PCs without radio device

NOTICE:

Changes or modifications not expressly approved by Fujitsu Technology Solutions could void this user's authority to operate the equipment.

Notice to Users of Radios and Television

These limits are designed to provide reasonable protection against harmful interference in a residential installation. This equipment generates, uses, and can radiate radio frequency energy and, if not installed and used in accordance with the instructions, may cause harmful interference to radio communications. However, there is no guarantee that interference will not occur in a particular installation. If this equipment does cause harmful interference to radio or television reception, which can be determined by turning the equipment off and on, the user is encouraged to try to correct the interference by one or more of the following measures:

- Reorient or relocate the receiving antenna.
- Increase the separation between the equipment and receiver.
- Connect the equipment into an outlet that is on a different circuit than the receiver.
- Consult the dealer or an experienced radio/TV technician for help.

Notice to Users of the US Telephone Network

Your Tablet PC may be supplied with an internal modem which complies with Part 68 of the FCC rules. On this Tablet PC is a label that contains the FCC Registration Number and the Ringer Equivalence Number (REN) for this equipment among other information. If requested, the user must provide their telephone company with the following information:

1. The telephone number to which the Tablet PC is connected.
2. The Ringer Equivalence Number (REN) for this equipment.
3. The equipment requires a standard modular jack type USOC RJ-11C which is FCC Part 68 compliant.
4. The FCC Registration Number.

This equipment is designed to be connected to the telephone network or premises wiring using a standard modular jack type USOC RJ-11C which is FCC Part 68 compliant and a line cord between the modem and the telephone network with a minimum of 26AWG.

The REN is used to determine the number of devices that you may connect to your telephone line and still have all of those devices ring when your number is called. Too many devices on one line may result in failure to ring in response to an incoming call. In most, but not all, areas the sum of the RENs of all of the devices should not exceed five (5). To be certain of the number of devices you may connect to your line, as determined by the RENs, contact your local telephone company. If this equipment causes harm to the telephone network, your telephone company may discontinue your service temporarily. If possible, they will notify you in advance. If advance notice is not practical they will notify you as soon as possible. You will also be advised of your right to file a complaint with the FCC.

This fax modem also complies with fax branding requirements per FCC Part 68.

Your telephone company will probably ask you to disconnect this equipment from the telephone network until the problem is corrected and you are sure that the equipment is not malfunctioning. This equipment may not be used on coin-operated telephones provided by your telephone company. Connection to party lines is subject to state tariffs. Contact your state's public utility commission, public service commission or corporation commission for more information.

This equipment includes automatic dialing capability. When programming and/or making test calls to emergency numbers:

- Remain on the line and briefly explain to the dispatcher the reason for the call.
- Perform such activities in off-peak hours, such as early morning or late evening.

FCC rules prohibit the use of non-hearing aid compatible telephones in the following locations or applications:

- All public or semi-public coin-operated or credit card telephones.
- Elevators, highways, tunnels (automobile, subway, railroad or pedestrian) where a person with impaired hearing might be isolated in an emergency.
- Places where telephones are specifically installed to alert emergency authorities such as fire, police or medical assistance personnel.
- Hospital rooms, residential health care facilities, convalescent homes and prisons.
- Hotel, motel or apartment lobbies.
- Stores where telephones are used by patrons to order merchandise.
- Public transportation terminals where telephones are used to call taxis or to reserve lodging or rental cars.
- In hotel and motel rooms as at least ten percent of the rooms must contain hearing aid-compatible telephones or jacks for plug-in hearing aid compatible telephones which will be provided to hearing impaired customers on request.

DOC (Industry CANADA) notices

Notice to Users of Radios and Television

This Class B digital apparatus meets all requirements of Canadian Interference-Causing Equipment Regulations.

CET appareil numérique de la class B respecte toutes les exigence du Règlement sur le matériel brouilleur du Canada.

Notice to Users of the Canadian Telephone Network

NOTICE:

This equipment meets the applicable Industry Canada Terminal Equipment Technical Specifications. This is confirmed by the registration number. The abbreviation, IC, before the registration number signifies that registration was performed based on a Declaration of Conformity indicating that Industry Canada technical specifications were met. It does not imply that Industry Canada approved the equipment. Before connecting this equipment to a telephone line the user should ensure that it is permissible to connect this equipment to the local telecommunication facilities. The user should be aware that compliance with the certification standards does not prevent service degradation in some situations.

Repairs to telecommunication equipment should be made by a Canadian authorised maintenance facility. Any repairs or alterations not expressly approved by Fujitsu or

any equipment failures may give the telecommunication company cause to request the user to disconnect the equipment from the telephone line.

NOTICE:

The Ringer Equivalence Number (REN) for this terminal equipment is 0.0. The REN assigned to each terminal equipment provides an indication of the maximum number of terminals allowed to be connected to a telephone interface. The termination on an interface may consist of any combination of devices subject only to the requirement that the sum of the Ringer Equivalence Numbers of all the devices does not exceed five.



CAUTION:

For safety, users should ensure that the electrical ground of the power utility, the telephone lines and the metallic water pipes are connected together. Users should NOT attempt to make such connections themselves but should contact the appropriate electric inspection authority or electrician. This may be particularly important in rural areas.

Avis Aux Utilisateurs Du Réseau Téléphonique Canadien

AVIS : Le présent matériel est conforme aux spécifications techniques d'Industrie Canada applicables au matériel terminal. Cette conformité est confirmée par le numéro d'enregistrement. Le sigle IC, placé devant le numéro d'enregistrement, signifie que l'enregistrement s'est effectué conformément à une déclaration de conformité et indique que les spécifications techniques d'Industrie Canada ont été respectées. Il n'implique pas qu'Industrie Canada a approuvé le matériel.

Avant de connecter cet équipement à une ligne téléphonique, l'utilisateur doit vérifier s'il est permis de connecter cet équipement aux installations de télécommunications locales. L'utilisateur est averti que même la conformité aux normes de certification ne peut dans certains cas empêcher la dégradation du service.

Les réparations de l'équipement de télécommunications doivent être effectuées par un service de maintenance agréé au Canada. Toute réparation ou modification, qui n'est pas expressément approuvée par Fujitsu, ou toute défaillance de l'équipement peut entraîner la compagnie de télécommunications à exiger que l'utilisateur déconnecte l'équipement de la ligne téléphonique.

AVIS : L'indice d'équivalence de la sonnerie (IES) du présent matériel est de 0.0. L'IES assigné à chaque dispositif terminal indique le nombre maximal de terminaux qui peuvent être raccordés à une interface téléphonique. La terminaison d'une interface peut consister en une combinaison quelconque de dispositifs, à la seule condition que la somme d'indices d'équivalence de la sonnerie de tous les dispositifs n'excède pas 5.



AVERTISSEMENT:

Pour assurer la sécurité, les utilisateurs doivent vérifier que la prise de terre du service d'électricité, les lignes téléphoniques et les conduites d'eau métalliques sont connectées ensemble. Les utilisateurs NE doivent PAS tenter d'établir ces connexions eux-mêmes, mais doivent contacter les services d'inspection d'installations électriques appropriés ou un électricien. Ceci peut être particulièrement important en régions rurales.

UL Notice

This unit requires an AC adapter to operate. Only use a UL Listed Class 2 adapter. The correct output rating is indicated on the AC adapter label. Refer to the illustration below for the correct AC Adapter output polarity:



CAUTION:

To reduce the risk of fire, use only 26AWG or larger telecommunications line cord.

For Authorized Repair Technicians Only



CAUTION:

For continued protection against risk of fire, replace only with the same type and rating fuse.



WARNING:

Danger of explosion if Lithium (CMOS) battery is incorrectly replaced. Replace only with the same or equivalent type recommended by the manufacturer.

Dispose of used batteries according to the manufacturer's instructions.

FCC Regulatory information for Tablet PCs with radio device

Federal Communications Commission statement

This device complies with Part 15 of FCC Rules. Operation is subject to the following two conditions: (1) this device may not cause interference, and

(2) this device must accept any interference, including interference that may cause undesired operation of this device.

FCC Interference Statement

This equipment has been tested and found to comply with the limits for a Class B digital device, pursuant to Part 15 of the FCC Rules. These limits are designed to provide reasonable protection against harmful interference in a residential installation. This equipment generates, uses, and can radiate radio frequency energy. If not installed and used in accordance with the instructions, it may cause harmful interference to radio communications.

However, there is no guarantee that interference will not occur in a particular installation.

If this equipment does cause harmful interference to radio or television reception, which can be determined by turning the equipment off and on, the user is encouraged to try to correct the interference by one or more of the following measures:

1. Reorient or relocate the receiving antenna.
2. Increase the distance between the equipment and the receiver.
3. Connect the equipment to an outlet on a circuit different from the one the receiver is connected to.
4. Consult the dealer or an experienced radio/TV technician for help.

Note the following regulatory information related to the optional radio device.

FCC Radio Frequency Exposure statement

This radio device has been evaluated under FCC Bulletin OET 65C and found compliant with the requirements as set forth in CFR 47 Sections 2.1091, 2.1093, and 15.247 (b) (4) addressing RF Exposure from radio frequency devices. The radiated output power of this radio device is far below the FCC radio frequency exposure limits. Nevertheless, this device shall be used in such a manner that the potential for human contact during normal operation is minimized. When using this device, a certain separation distance between antenna and nearby persons must be maintained to ensure RF exposure compliance. In order to comply with RF exposure limits established in the ANSI C95.1 standards, the distance between the antennas and the user should not be less than 20 cm (8 inches).

Regulatory Notes and Statements

Radio device, health and authorisation for use

Radio-frequency electromagnetic energy is emitted from the wireless devices. The energy levels of these emissions, however, are far much less than the electromagnetic energy emissions from wireless devices such as mobile phones. Radio devices are safe for use by consumers because they operate within the guidelines found in radio frequency safety standards and recommendations.

The use of the radio devices may be restricted in some situations or environments, such as:

- on board an airplane, or
- in an explosive environment, or
- in situations where the interference risk to other devices or services is perceived or identified as harmful.

In cases in which the policy regarding use of radio devices in specific environments is not clear (e.g., airports, hospitals, chemical/oil/gas industrial plants, private buildings), obtain authorization to use these devices prior to operating the equipment.

Regulatory Information/Disclaimers

Installation and use of this radio device must be in strict accordance with the instructions included in the user documentation provided with the product. Any changes or modifications made to this device that are not expressly approved by the manufacturer may void the user's authority to operate the equipment. The manufacturer is not responsible for any radio or television interference caused by unauthorized modification of this device, or the substitution or attachment of connecting cables and equipment other than those specified by the manufacturer. It is the responsibility of the user to correct any interference caused by such unauthorized modification, substitution or attachment. The manufacturer and its authorized resellers or distributors will assume no liability for any damage or violation of government regulations arising from failure to comply with these guidelines.

Export restrictions

This product or software contains encryption code which may not be exported or transferred from the US or Canada without an approved US Department of Commerce export license. This device complies with Part 15 of FCC Rules, as well as ICES 003 B / NMB 003 B. Operation is subject to the following two conditions:

- (1) this device may not cause harmful interference, and
- (2) this device must accept any interference received, including interference that may cause undesirable operation.

Modifications not expressly authorised by Fujitsu Technology Solutions may invalidate the user's right to operate this equipment.

Index

A

- Acoustic error messages 65
- Audio ports 61

B

- Battery
 - battery life 22
 - caring for and maintaining 22
 - charge level 22
 - charging 22
- Battery status meter 22
- Battery:
 - discharges too quickly 64
- Bluetooth, safety notes 11

C

- CE marking 68
- Cleaning 14
- Connecting audio devices 61
- Connecting headphones 61
- Cradle
 - Connecting a Tablet PC 32
 - Ports 27
- Crystal View display
 - cleaning 14

D

- Date is incorrect 63
- Declaration of conformity 68
- Device
 - setting up 16
- Display orientation
 - selecting 20
- DOC (INDUSTRY CANADA) NOTICES 70

E

- Energy
 - energy saving 12
- Energy saving 12
- Energy saving mode
 - leaving 64
- Errors
 - Acoustic warnings 65

F

- Fault
 - correction 62
- First-time setup 15

G

- Getting started 15
- GPS 26

H

- HDMI port 59

I

- Important notes 11
- Incorrect date/time 63

K

- Keyboard
 - cleaning 14

L

- Landscape orientation
 - screen 20
- Life, battery 22

M

- Mains adapter
 - connecting 16
 - setting up 16
- Memory card
 - handling 23
 - inserting 23
 - removing 24
- Mobile operation 13
- Monitor
 - remains blank 63

N

- Notes 11
 - cleaning 14
 - disposal / recycling 68
 - energy saving 12
 - Safety 11
 - touchscreen 20
 - transport 13

P

- Packaging 15
- Portrait orientation
 - screen 20
- Ports
 - Cradle 27

- Power
 - power consumption 22
 - power-management features 22
- Preparing for operation 16

- R**
- Radio component:
 - safety notes 11
- Rechargeable battery 22
 - see Battery 22
- Regulatory information
 - Tablet PCs with radio device 72
 - Tablet PCs without radio device 69

- S**
- Safety notes 11
- Selecting a location 16
- Slot
 - Memory cards 23
- Status indicators 18
- Summer time 63
- Switching on for the first time 17
- Symbols
 - indicators 18

- T**
- Tablet PC
 - before you travel 13
 - cleaning 14
 - switching off 19
 - transporting 13
 - using 18

- Tablet PC, operation 18
- Technical data
 - Mains adapter 67
- The radio connection to a network does not work 64
- The Tablet PC
 - cannot be started 63
 - doesn't work. 64
- Time not correct 63
- Time, daylight savings 63
- Tips 62
- Touchpad
 - cleaning 14
- Touchscreen
 - cleaning 14
 - difficult to read 63
 - notes 20
 - reflected glare 63
- Transport
 - Transport damage 15
- Transportation 13
- Travel, Tablet PC 13
- Troubleshooting 62

- U**
- USB ports 60

- W**
- Webcam 21
- Wireless LAN:
 - safety notes 11

Free Manuals Download Website

<http://myh66.com>

<http://usermanuals.us>

<http://www.somanuals.com>

<http://www.4manuals.cc>

<http://www.manual-lib.com>

<http://www.404manual.com>

<http://www.luxmanual.com>

<http://aubethermostatmanual.com>

Golf course search by state

<http://golfingnear.com>

Email search by domain

<http://emailbydomain.com>

Auto manuals search

<http://auto.somanuals.com>

TV manuals search

<http://tv.somanuals.com>