

FURUNO

OPERATOR'S MANUAL

PICTURE RECORDER

MODEL MT-12



FURUNO ELECTRIC CO., LTD.
NISHINOMIYA, JAPAN

©FURUNO ELECTRIC CO., LTD.

9-52, Ashihara-cho,
Nishinomiya, Japan 662

Telephone: 0798-65-2111
Telefax: 0798-65-4200

Your Local Agent/Dealer

All rights reserved. Printed in Japan

FIRST EDITION : 1900
C : OCT. 20, 1997

(TATA)

PUB. No. OME-22680
MT-12





SAFETY INSTRUCTIONS

Safety Instructions for the Operator



WARNING



Do not open the equipment.

Hazardous voltage which can cause electrical shock, burn or serious injury exists inside the equipment. Only qualified personnel should work inside the equipment.

Do not disassemble or modify the equipment.

Fire, electrical shock or serious injury can result.

Turn off the power immediately if water leaks into the equipment or the equipment is emitting smoke or fire.

Continued use of the equipment can cause fire or electrical shock.

Do not place liquid-filled containers on the top of the equipment.

Fire or electrical shock can result if a liquid spills into the equipment.

Do not operate the equipment with wet hands.

Electrical shock can result.

Keep heater away from equipment.

Heat can alter equipment shape and melt the power cord, which can cause fire or electrical shock.



CAUTION

Do not use the equipment for other than its intended purpose.

Personal injury can result if the equipment is used as a chair or stepping stool, for example.

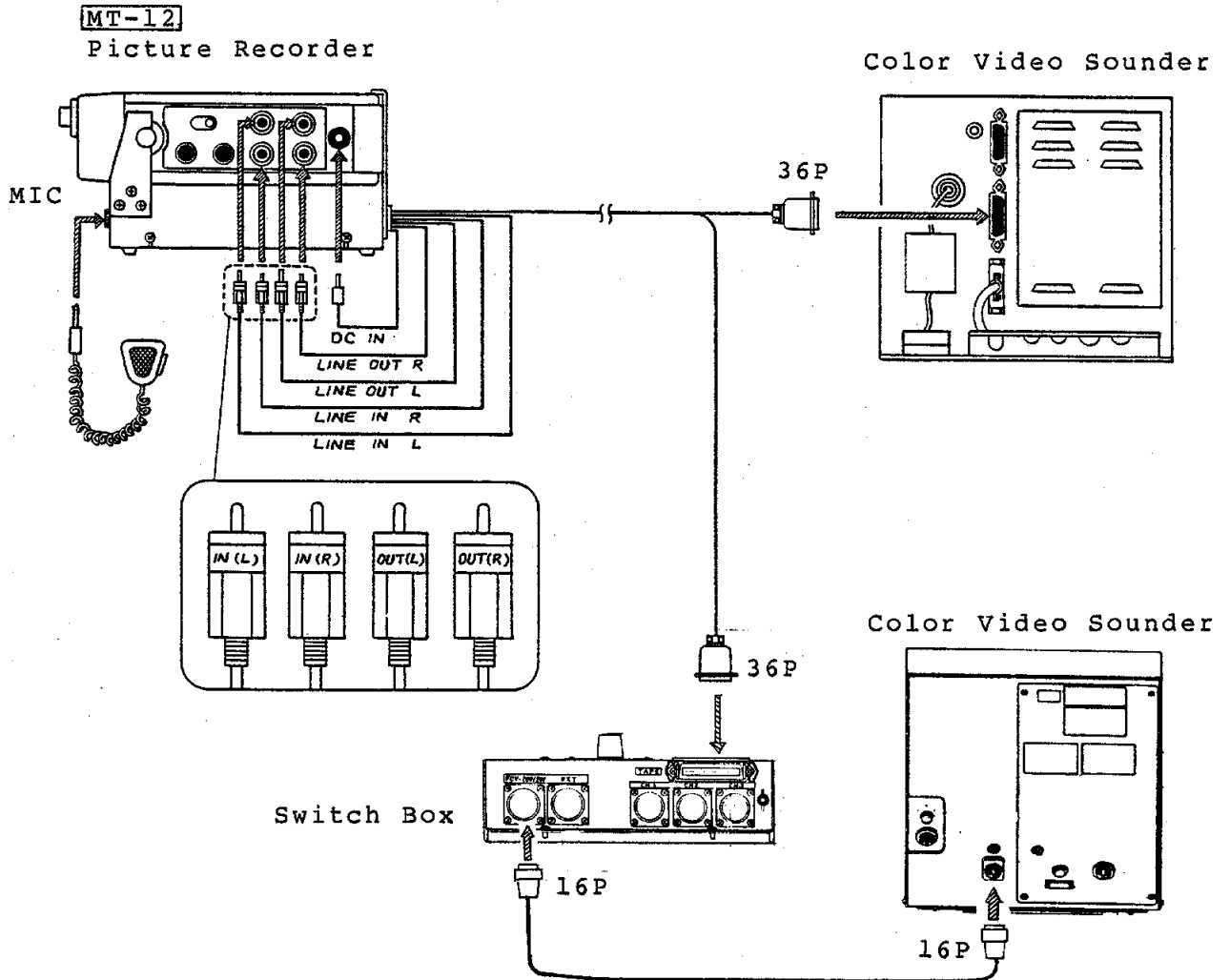
Do not place objects on the top of the equipment.

The equipment can overheat or personal injury can result if the object falls.

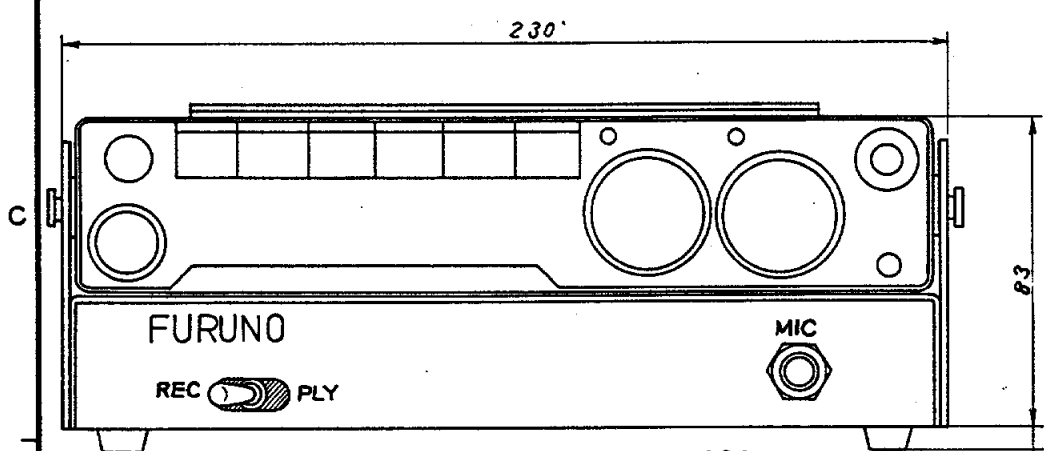
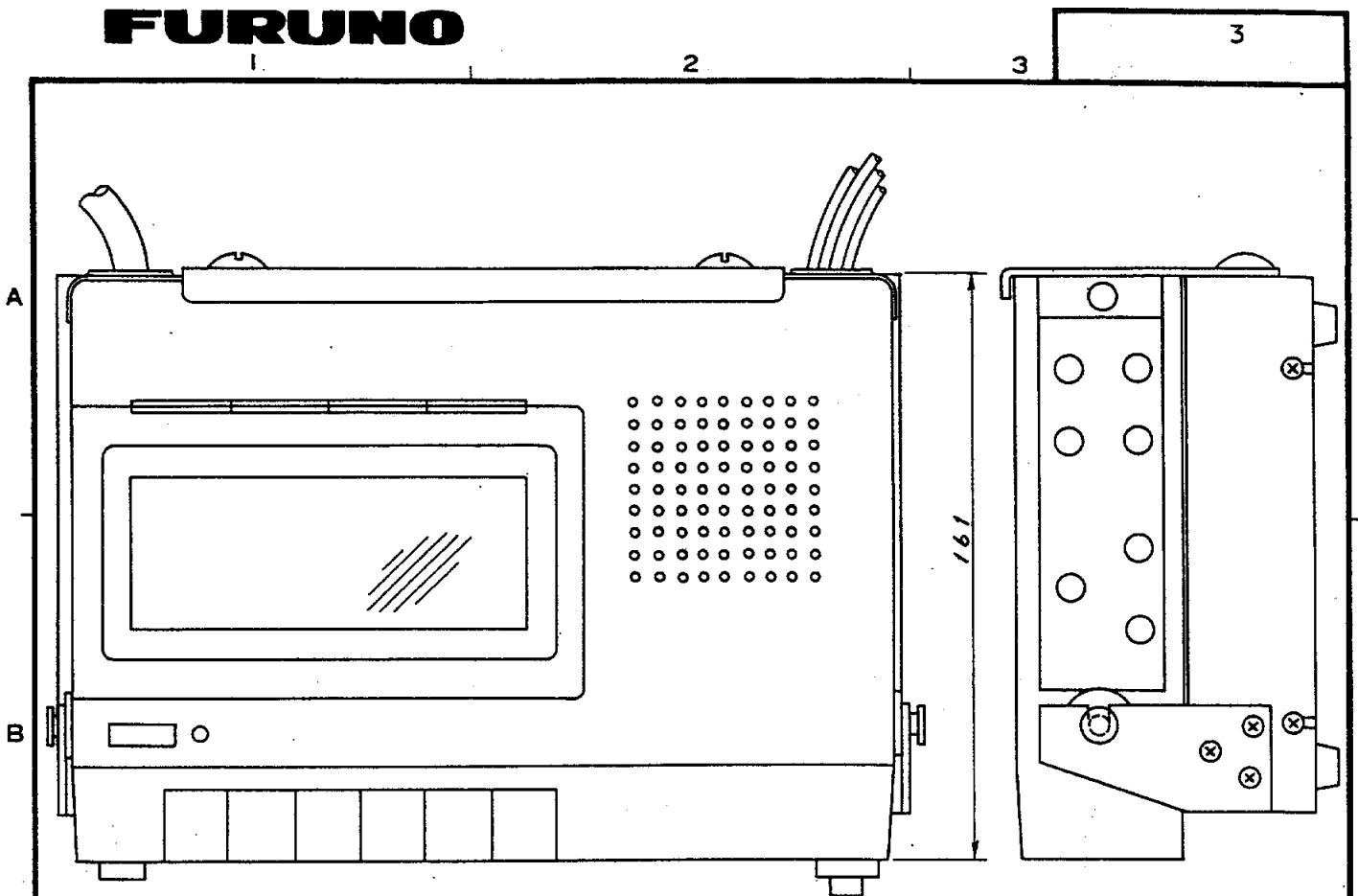
GENERAL NOTES *****

1. Prior to cable connection and operation, read separate instruction manual for Cassette Corder TC-D5M throughly to familiarize with its operation.
2. Do not place the Picture Recorder within 50cm from the Color Video Sounder.
3. Unless this unit is used, maintain the REC-PLY switch on the Picture Recorder at the REC position or disconnect the 36P plug from the Color Video Sounder.

1. Interconnection

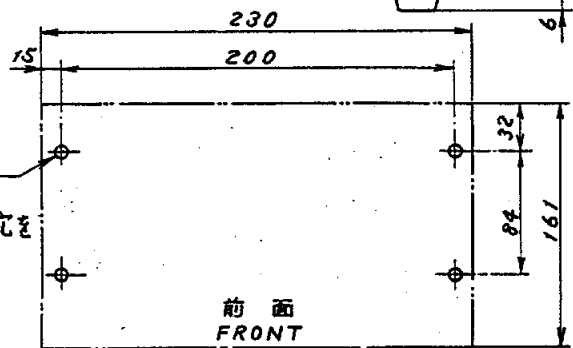


FURUNO



ゴム足
RUBBER CUSHION

4 - M4 用穴



取付穴寸法図 (SCALE 1/5)
FIXING DIMENSION

NOTE

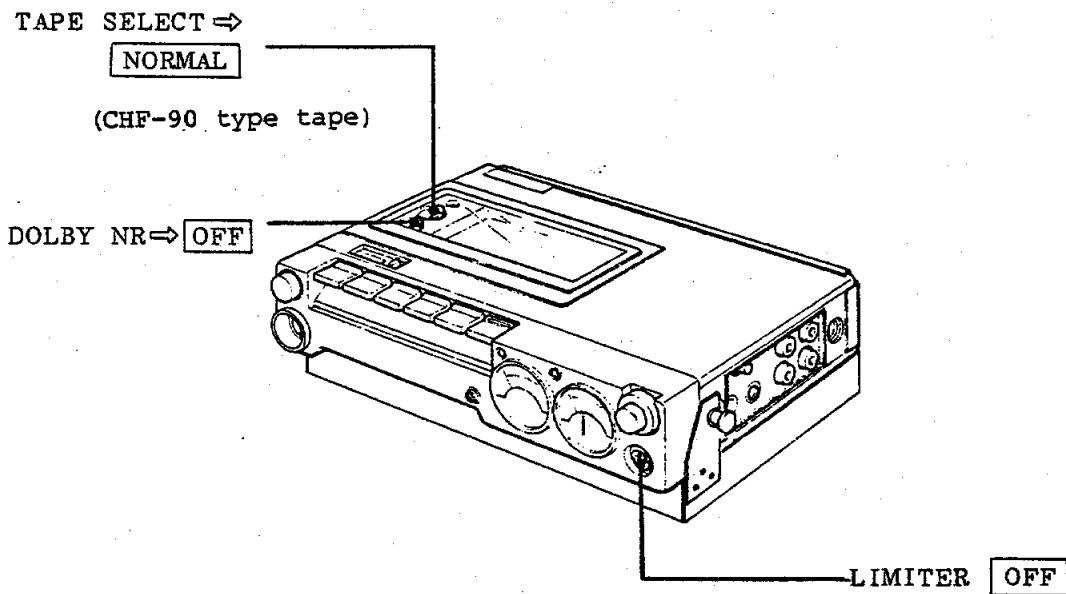
床上取付の場合はゴム足取付穴を
使用して固定する。
REMOVE RUBBER
CUSHION FOR TABLE
MOUNTING.

承認 APPROVED	品番 ITEM	品名 NAME	材質 MATERIAL	数量 Q'TY	図番 DWG.NO.	摘要 REMARKS
MAK. 19. 30		三角法 THIRD ANGLE PROJECTION				名称 TITLE 映像再生装置
検査 CHECKED		尺 SCALE		1/2		MT-12 PICTURE RECORDER
製 DRAWN	Mar. 19. '80 N. Matsumoto	重量 WEIGHT	2.4 kg		図番 DWG.NO.	C2268-001-A

2. Operation

—Precaution—

1. It is recommend to use the SONY CHF-90 type cassette tape for high quality recording. For other types, set the TAPE SELECT switch to the appropriate position. Refer to page 6 of the instruction manual for TC-D5M Cassette Corder.
2. Set the following switches on the Cassette Corder as below.



(1). Recording Procedure

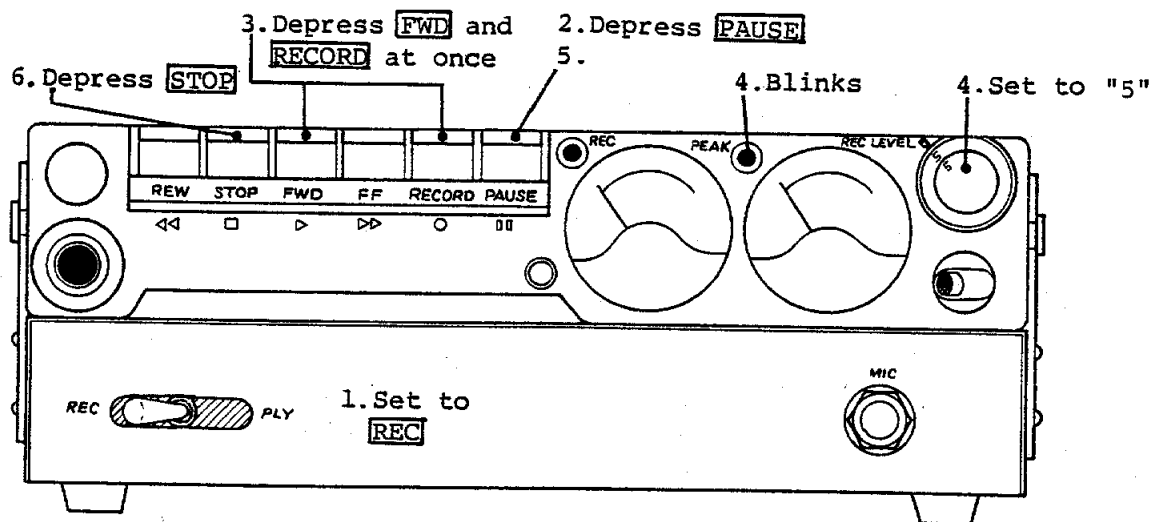


Fig. 2 Recording Procedure

1. Set the REC-PLY switch to the **REC** position.
2. Depress the **PAUSE** button.
3. Depress the **FWD** and **RECORD** buttons at the same time.
4. Turn the **REC LEVEL** control clockwise until the **PEAK** indicator blinks. Normal setting is the position "5". Also confirm that the **PEAK** indicator blinks when speaking into the microphone with the press-to-talk switch depressed.
5. Depress the **PAUSE** button again, and recording will begin.
6. Depress the press-to-talk switch and speak into the microphone for recording of voice information.
7. Depress the **STOP** button to cease recording.

Note: 1. Depress the **PAUSE** button for momentary stop of recording.

2. The **FWD** and **RECORD** buttons are automatically released at the end of the tape.

3. If necessary, break out the small tabs at the rear of the cassette to prevent accidental erasure of video signal and voice information.

(2). Playback

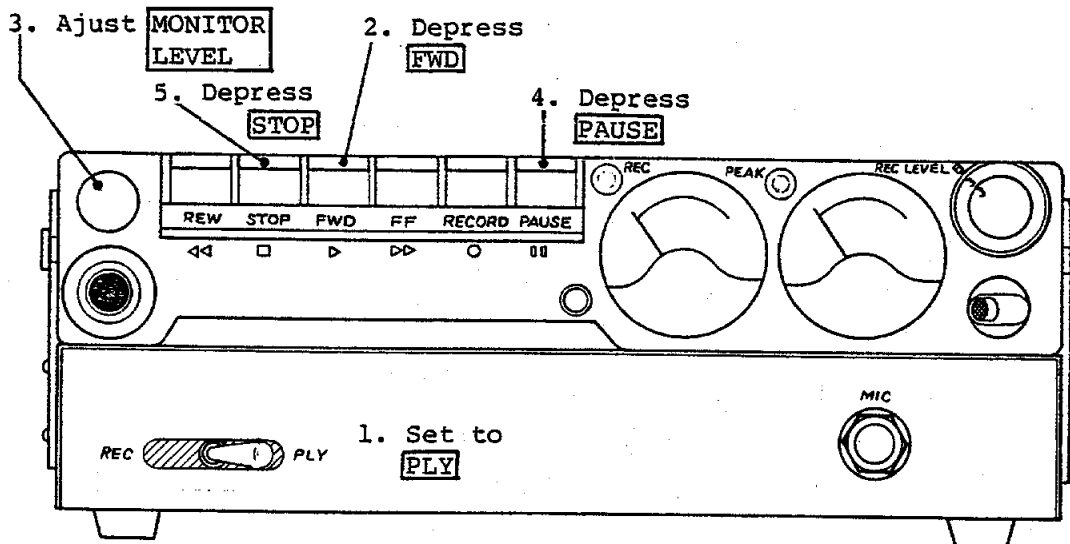


Fig. 3 Playback Procedure

1. Set the REC-PLY switch to the position **PLY**, and the Color Video Sounder is ready for playing-back video signal and voice information.

Note: To display stored information on the FCV-200/201 Color Video Sounders, also set the CHANNEL selector of the EX-6 switch box to "TAPE" position.

2. Depress the **FWD** button, and stored video signal starts to be displayed on the CRT screen sweep by sweep with voice information being heard from the speaker.
3. Adjust the **MONITOR LEVEL** for optimum volume of voice information.
4. For momentary suspension of playback, depress the **PAUSE** button. Depress the **PAUSE** button once more for restarting the operation.
5. To cease playback, depress the **STOP** button.
6. Then set the REC-PLY switch to the position **REC**.

Note: The **FWD** button is released automatically at the end of the tape.

Free Manuals Download Website

<http://myh66.com>

<http://usermanuals.us>

<http://www.somanuals.com>

<http://www.4manuals.cc>

<http://www.manual-lib.com>

<http://www.404manual.com>

<http://www.luxmanual.com>

<http://aubethermostatmanual.com>

Golf course search by state

<http://golfingnear.com>

Email search by domain

<http://emailbydomain.com>

Auto manuals search

<http://auto.somanuals.com>

TV manuals search

<http://tv.somanuals.com>