

FURUNO

OPERATOR'S MANUAL

取扱説明書

MONITOR UNIT

表示部

MODEL **MU-190**

ECF

(Elemental Chlorine Free)

The paper used in this manual
is elemental chlorine free.

- ・ 機器の修理・使用方法等に関するお問い合わせは、お買い上げの販売店・代理店、最寄りの
当社支店・営業所あてへお願いします。

FURUNO ELECTRIC CO., LTD.
古野電気株式会社

・ FURUNO Authorized Distributor/Dealer お問い合わせは

本書の無断複写複製(コピー)は特定の
場合を除き、当社権利侵害になります。

Printed in Japan

A : MAY 2011
A1 : JUL. 5, 2011

Pub. No. OMC-44670-A1

(YOTA) MU-190



* 00017448910 *

IMPORTANT NOTICES

General

- This manual has been authored with simplified grammar, to meet the needs of international users.
- The operator of this equipment must read and follow the descriptions in this manual. Wrong operation or maintenance can cancel the warranty or cause injury.
- Do not copy any part of this manual without written permission from FURUNO.
- If this manual is lost or worn, contact your dealer about replacement.
- The contents of this manual and equipment specifications can change without notice.
- The example screens (or illustrations) shown in this manual can be different from the screens you see on your display. The screens you see depend on your system configuration and equipment settings.
- Save this manual for future reference.
- Any modification of the equipment (including software) by persons not authorized by FURUNO will cancel the warranty.
- All brand and product names are trademarks, registered trademarks or service marks of their respective holders.

How to discard this product

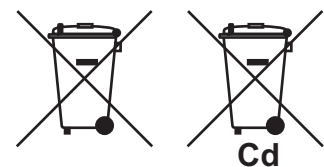
Discard this product according to local regulations for the disposal of industrial waste. For disposal in the USA, see the homepage of the Electronics Industries Alliance (<http://www.eiae.org/>) for the correct method of disposal.

How to discard a used battery

Some FURUNO products have a battery(ies). To see if your product has a battery, see the chapter on Maintenance. Follow the instructions below if a battery is used. Tape the + and - terminals of battery before disposal to prevent fire, heat generation caused by short circuit.

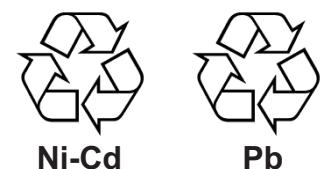
In the European Union

The crossed-out trash can symbol indicates that all types of batteries must not be discarded in standard trash, or at a trash site. Take the used batteries to a battery collection site according to your national legislation and the Batteries Directive 2006/66/EU.



In the USA

The Mobius loop symbol (three chasing arrows) indicates that Ni-Cd and lead-acid rechargeable batteries must be recycled. Take the used batteries to a battery collection site according to local laws.



In the other countries

There are no international standards for the battery recycle symbol. The number of symbols can increase when the other countries make their own recycle symbols in the future.



SAFETY INSTRUCTIONS

Read these safety instructions before you operate the equipment.



WARNING

Indicates a condition that can cause death or serious injury if not avoided.



CAUTION

Indicates a condition that can cause minor or moderate injury if not avoided.



Warning, Caution



Prohibitive Action



Mandatory Action

Safety Instructions for the Operator



WARNING



Immediately turn off the power at the switchboard if water leaks into the equipment or something is dropped into the equipment.

Continued use of the equipment can cause fire or electrical shock. Contact a FURUNO agent for service.



Immediately turn off the power at the switchboard if the equipment is emitting smoke or fire.

Continued use of the equipment can cause fire or electrical shock. Contact a FURUNO agent for service.



Do not disassemble or modify the equipment.

Fire, electrical shock or serious injury can result.



Turn off the power immediately if you feel the equipment is behaving abnormally.

Turn off the power at the switchboard if the equipment becomes abnormally warm or is emitting odd noises. Contact a FURUNO dealer or agent for advice.



WARNING



Use the proper fuse.

Use of a wrong fuse can cause fire or damage to the equipment.



Do not place any object near the exhaust or intake vent.

Fire may result.



CAUTION



Do not connect/disconnect the signal cable while turning the power on.

The unit may be damaged.



Handle the LCD monitor with care.

The face of the LCD monitor is made of glass. Injury may result if the glass breaks.

Safety Instructions for the Installer**⚠ WARNING**

Turn off the power at the switchboard before beginning the installation.

Fire or electrical shock can result if the power is left on.



Do not install the equipment where it may get wet from rain or water splash.

Water in the equipment can result in fire, electrical shock or damage to the equipment.

⚠ CAUTION

Observe the following compass safe distances to prevent interference to a magnetic compass:

	Standard compass	Steering compass
MU-190	1.65 m	1.05 m

About the TFT LCD

The TFT LCD is constructed using the latest LCD techniques, and displays 99.99% of its pixels. The remaining 0.01% of the pixels may drop out or blink, however this is not an indication of malfunction.

TABLE OF CONTENTS

Note: This manual contains both English and Japanese instructions. The Installation Materials, Outline Drawings, and Interconnection Diagram are located at the back of this manual.

FOREWORD	v
SYSTEM CONFIGURATION	vi
EQUIPMENT LISTS	vii
1. MOUNTING, WIRING	1
1.1 Preparation	1
1.2 Flush Mount, Fixed at Front	2
1.3 Flush Mount, Fixed at Front, with Hood	3
1.4 Flush Mount, Fixed at Rear	5
1.5 Flush Mount, Fixed at Rear, with Hood	7
1.6 Tabletop Mount	8
1.7 Flush Mount a Series Side by Side	10
1.8 Wiring	11
2. ADJUSTMENTS	12
2.1 Installation Settings	12
2.2 RGB/DVI Setting (For Non-SOLAS)	14
2.3 Video Composite Signal Setting (For Non-SOLAS)	16
2.4 The Menu Window Setting (For Non-SOLAS)	17
2.4.1 How to adjust the menu window	17
2.4.2 How to change the signal name	18
3. OPERATION	19
3.1 Controls	19
3.2 How to Turn the Power On/Off	19
3.2.1 Turn the power on/off	19
3.2.2 Unlock the key operation	20
3.3 How to Adjust the Display Brilliance	20
3.4 How to Select the Source for Main Picture	21
3.5 How to Display the PIP Window	21
3.6 SYSTEM Menu	21
3.6.1 How to set the auto dimmer	21
3.6.2 How to clear the memory	22
4. MAINTENANCE, TROUBLESHOOTING	23
4.1 Maintenance	23
4.2 Troubleshooting	24
4.3 Parts Location and Parts List	24
SPECIFICATIONS	SP-1
INSTALLATION MATERIALS	A-1
OUTLINE DRAWINGS	D-1
INTERCONNECTION DIAGRAM	S-1
Declaration of Conformity	

FOREWORD

A Word to the Owner of the MU-190

FURUNO Electric Company thanks you for purchasing the MU-190 19" Monitor Unit. We are confident you will discover why the FURUNO name has become synonymous with quality and reliability.

For over 60 years FURUNO Electric Company has enjoyed an enviable reputation for quality and reliability throughout the world. This dedication to excellence is furthered by our extensive global network of agents and dealers.

Your equipment is designed and constructed to meet the rigorous demands of the marine environment. However, no machine can perform its intended function unless properly installed and maintained. Please carefully read and follow the operation, installation and maintenance procedures set forth in this manual.

We would appreciate feedback from you, the end-user, about whether we are achieving our purposes.

Thank you for considering and purchasing FURUNO.

Features

The main features of the MU-190 are as shown below.

- Selectable screen from RGB (1 port), Digital (2 ports) or Composite (1 port).
- Main or remote display for radars, video sounders, sonars, plotter. For the connectable equipment, see the SYSTEM CONFIGURATION on page vi.
- High resolution display of 1280 x 1024 (SXGA)
- Automatic brilliance adjustment by the light sensor.
- Picture-in-picture function
- Power on/off automatically through the DVI signal.

Program

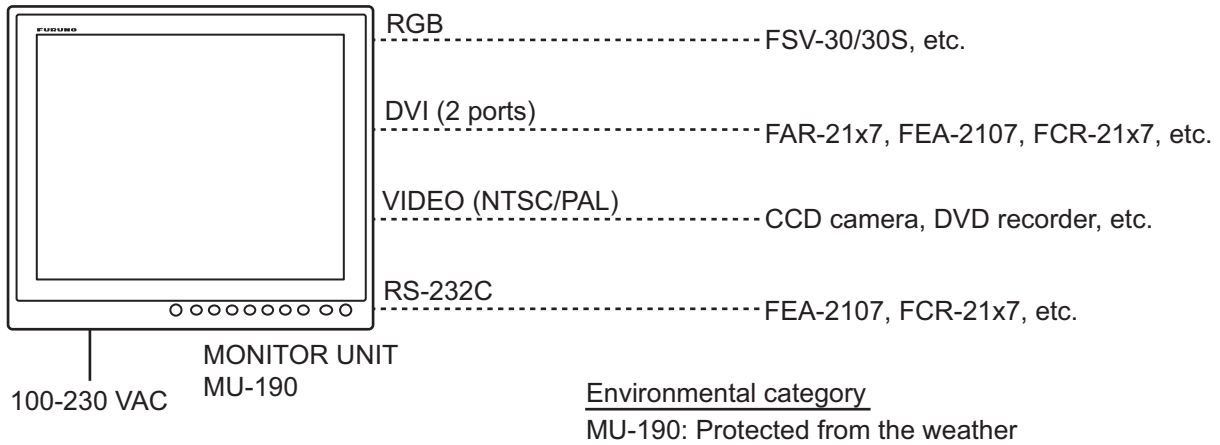
Program Name	Version	Date of Change
APR PROGRAM	2651020-01.xx	May. 2011
FPGA PROGRAM	2651021-01.xx	May. 2011

xx: minor change

You can see these program numbers on the [SYSTEM] menu (see section 3.6). To open the [SYSTEM] menu, unlock the key operation (see paragraph 3.2.2).

Note: When you connect the monitor unit to FAR-21x7 series, FEA-2107 or FCR-21x7 series, lock the key operation (see paragraph 3.2.2) after confirming the program numbers.

SYSTEM CONFIGURATION



Connectable equipment

Equipment	Resolution	Signal
FCV-1200L/1200LM	VGA*	Analog RGB, via IF-8000
FSV-24/24S	SXGA	Analog RGB
FSV-30/30S	SXGA	Analog RGB
FSV-84/84L	SXGA	Analog RGB
FSV-85/85L	SXGA	Analog RGB
FCV-30	SXGA	Analog RGB
FAR-21x7	SXGA	DVI
FEA-2107	SXGA	DVI
FCR-21x7	SXGA	DVI
MFDBB (NAVnet 3D)	SVGA*	DVI
	XGA*	
	SXGA	

Note 1: Landscape orientation only.

Note 2: *: When inputting VGA, SVGA or XGA, a circle may be displayed as an ellipse because the aspect ratio differs (see "DISP MODE*" on page 15).

EQUIPMENT LISTS

Standard supply

Name	Type	Code No.	Qty	Remarks
Monitor Unit	MU-190	-	1	
Installation Materials	CP26-01600	000-019-210	1 set	<ul style="list-style-type: none"> Installation Materials (CP26-01601, Code No.: 001-116-250, See page A-1.) Cable Assembly (DVI-D/D S-LINK 5M, Code No.: 001-132-960-10)
Accessories	FP26-00401	001-080-780	1 set	LCD Cleaning Cloth (19-028-3125, Code No.: 100-360-671-10)
Spare Parts	SP26-00501	001-116-240	1 set	Glass Tube Fuse (FGBO 250V 1A PBF, Code No.: 000-155-828-10) 3 pcs.

Optional supply

Name	Type	Code No.	Qty	Remarks
Cable Assembly	3COX-2P-6C 5M	001-077-230-10	1	Cable length: 5 m (15 pin D-sub connector at both ends)
	3COX-2P-6C 10M	001-077-220-10	1	Cable length: 10 m (15 pin D-sub connector at both ends)
	DVI-D/D S-LINK 5M	001-132-960-10	1	Cable length: 5 m (with DVI-D connector at both ends)
	DVI-D/D S-LINK 10M	001-133-980-10	1	Cable length: 10 m (with DVI-D connector at both ends)
Bracket Assembly (w/knobs)	OP26-5	000-016-270	1 set	
Hood Assembly	OP26-6	001-080-930	1 set	
Dust Cover	26-007-1201	001-116-260-10	1	
Flush Mount Kit	OP26-12	001-116-280	1 set	<ul style="list-style-type: none"> Flush Mounting Sponge H 19 (26-005-3123, Code No.: 100-351-550-10) Flush Mounting Sponge V 19 (26-005-3124, Code No.: 100-351-560-10) Washer Head Screw B (M4x10, Code No.: 000-163-836-10) Flush Mount Fixture 19 (CP26-01401, Code No.: 001-080-890) <p>Note: The quantity of each part depends on the number of units connected.</p>
	OP26-13 (Two units installed side by side)	001-116-290	1 set	
	OP26-14 (Three units installed side by side)	001-116-300	1 set	
Connection Stand (19)	OP26-20	001-139-300	1 set	
Bracket Assembly	OP26-21	001-139-310	1 set	
Hood (19) Assembly	OP26-24	001-139-370	1 set	
Monitor Replacement Kit	OP26-22	001-139-320	1	For flush mount
	OP26-23	001-139-360	1	For tabletop mount
	OP26-26	001-139-390	1	For hood mount

1. MOUNTING, WIRING

1.1 Preparation

Mounting method

You can install the monitor unit as follows. See the outline drawings at the back of this manual for mounting dimensions.

- Flush mount, fixed at front (standard)
- Flush mount, fixed at front, with hood (option)
- Flush mount, fixed at rear (option)
- Flush mount, fixed at rear, with hood (option)
- Tabletop mount (option, hood-mountable)
- Flush mount a series side by side, fixed at rear

Note 1: The face of the LCD is made of glass. Handle it with care.

Note 2: For flush mount, take care so that the monitor unit does not fall during the installation.

Mounting location

Select a mounting location considering the following points. This equipment is free from electromagnetic fields.

- Make sure the mounting location is strong enough to support the weight of the unit.
- Locate the unit away from direct sunlight. An LCD may darken if it is exposed to direct sunlight for a long time.
- Select a location where the screen can be easily viewed and the controls can be easily operated.
- Leave enough space around the unit for service and maintenance. See the outline drawings at the back of this manual for minimum service clearance.
- Locate the unit away from areas subject to water splash and rain.
- Observe the compass safe distances (see page iii) to prevent interference to a magnetic compass.

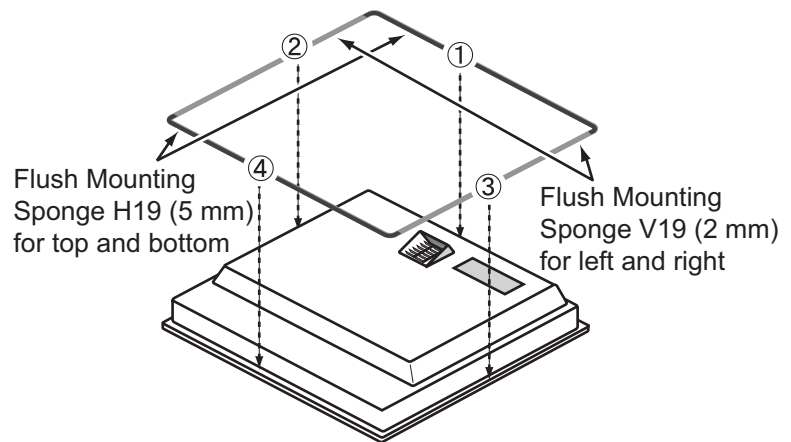
Run cables before installing the monitor unit

Run all cables before you install the monitor unit. See the interconnection diagram at the back of this manual.

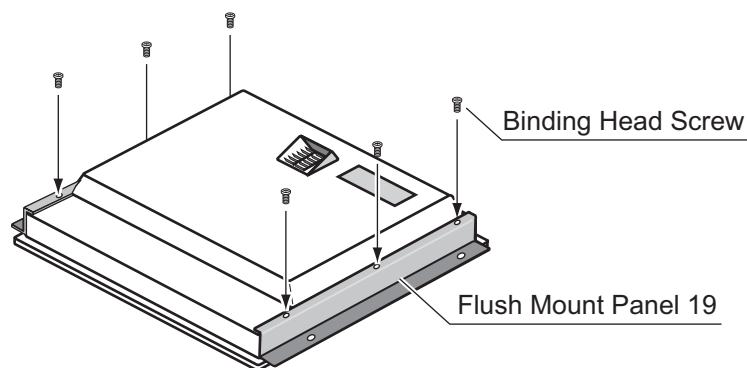
1.2 Flush Mount, Fixed at Front

Flush mount, fix at front is the standard installation method.

1. Use the flush mounting template (supplied) to make a cutout in the mounting location.
2. Attach the flush mounting sponges H19 and V19 to the back of the monitor unit in the order shown in the figure at right.

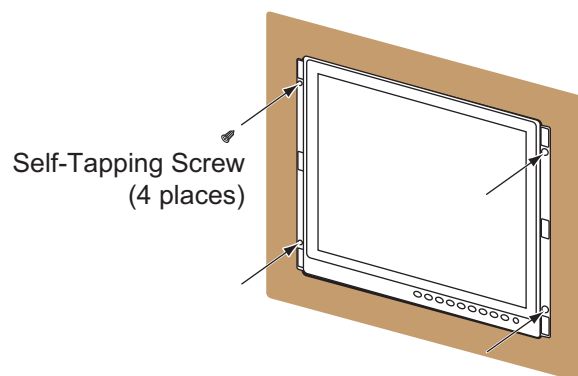


3. Attach the flush mount panels 19 to the monitor unit from the rear with the binding head screws (M4x10, 6 pcs., supplied).



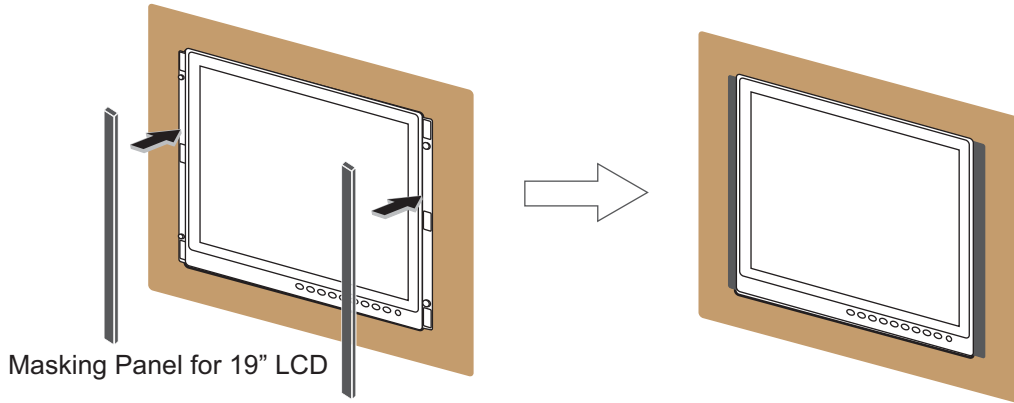
Note: Attach the flush mount panels to both sides of the monitor unit with no gap.

4. Connect all cables at the back of the monitor unit. See section 1.8.
5. Set the monitor unit assembly to the cutout.
6. Fix the monitor unit to the cutout with the self-tapping screws (5x20, 4 pcs., supplied).



1. MOUNTING, WIRING

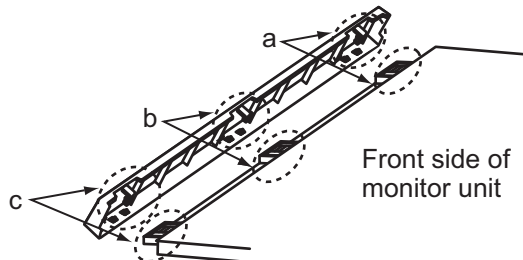
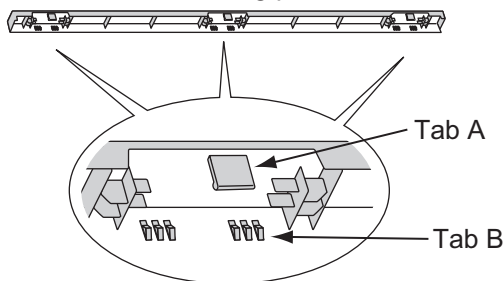
7. Set the masking panel to each side of the monitor unit.



How to attach or detach the masking panel for 19" LCD

Do the following to attach or detach the masking panel for 19" LCD.

Reverse view of masking panel for 19" LCD



Set the masking panel for 19" LCD to each side of the monitor unit. Attach each tab A to the monitor unit. Be careful not to break the tabs.

To attach, follow order of right arrow (→). To detach, follow order of left arrow (←).

Attach: Push the masking panel for 19" LCD in the direction →, rotate the panel toward the monitor unit, then set each tab A one by one (three places of a, b and c).

Detach: Push the masking panel for 19" LCD in the direction 1, then release each tab A one by one (three places of a, b and c) in the direction 2.

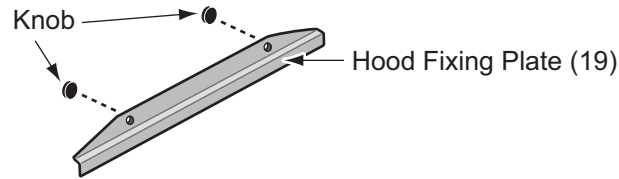
1.3 Flush Mount, Fixed at Front, with Hood

The flush mount, fixed at front method allows you to attach a hood (19) assembly OP26-24 (option) to the monitor unit.

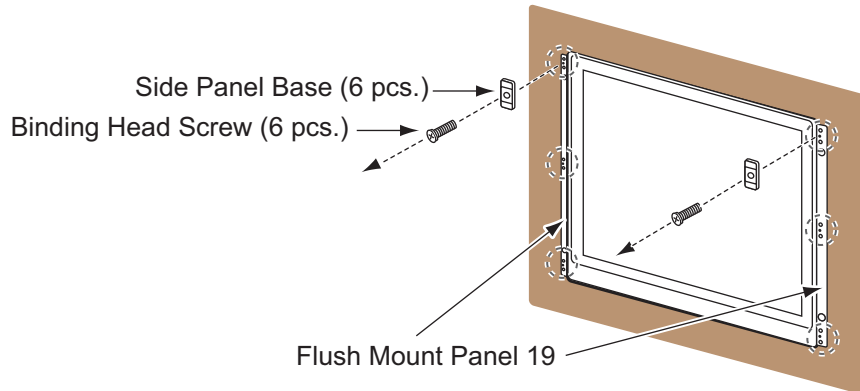
Hood (19) assembly OP26-24 (Code No.: 001-139-370)

Name	Type	Code No.	Qty
Hood (19) Assembly	OP26-6-1	001-080-970	1
Knob M4	03-163-2303	100-343-602-10	4
Hood Fixing Plate (19)	26-007-1128	100-366-350-10	2
Binding Head Screw	M3x8	000-172-166-10	6

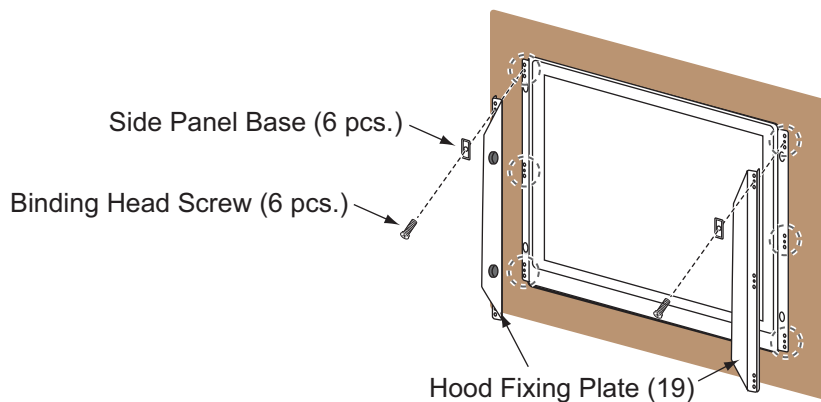
1. Use the flush mounting template (supplied) to make a cutout in the mounting location.
2. Follow steps 2 to 6 in section 1.2.
3. Loosely fix the knobs (4 pcs.) to the hood fixing plates (19) from inside the plates.



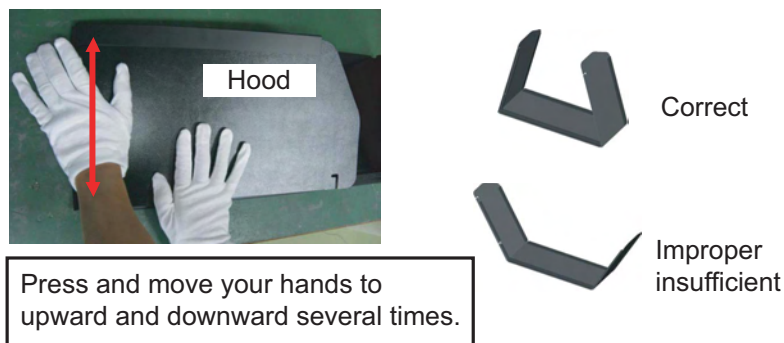
4. Remove the binding head screws (M3x5, 6pcs.) and the side panel bases (6 pcs.) from the flush mount panels 19 attached to the monitor unit.



5. Attach the hood fixing plates (19) and the side panel bases to the right and left sides of the monitor unit with the binding head screws (M3x8, 6pcs.)

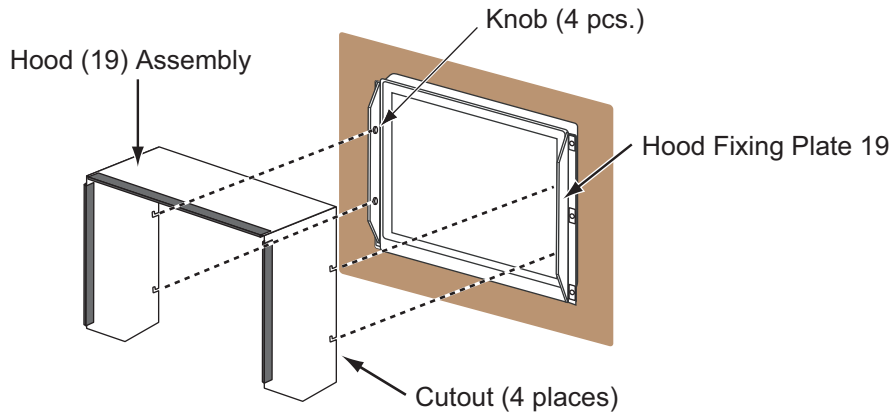


6. Press and rub folds on the hood with your hands to make creases clearly. The degree of creases should be within 90° when the hood is opened.

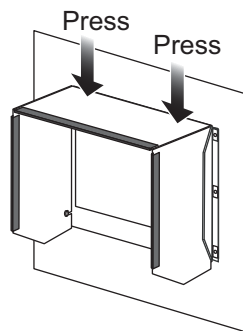


1. MOUNTING, WIRING

7. Set the cutouts of the hood (19) assembly to the knobs on the hood fixing plates (19).



8. Press the top of the hood (19) assembly to set the knobs in the cutouts.

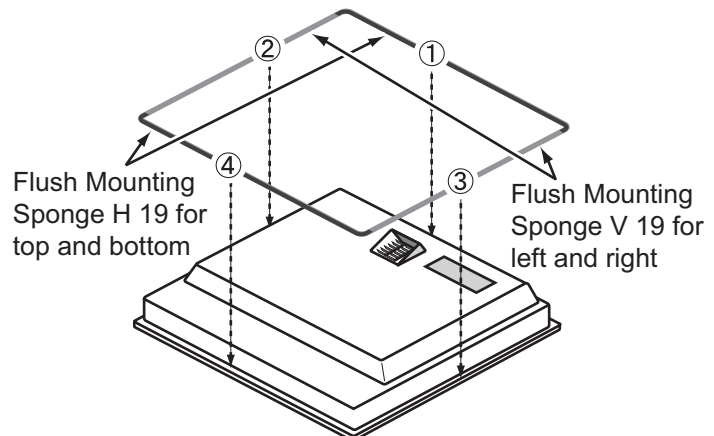


9. Set the hood (19) assembly with the knobs tightly (4 pcs.).

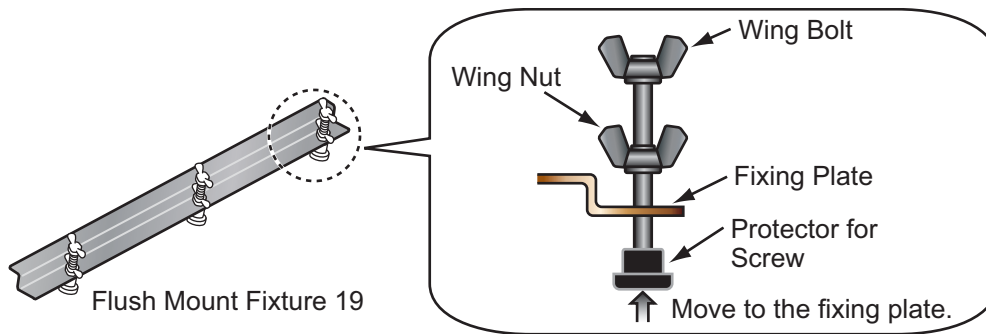
1.4 Flush Mount, Fixed at Rear

The flush mount, fixed at rear method requires the flush mount kit OP26-12 (option, see page vii).

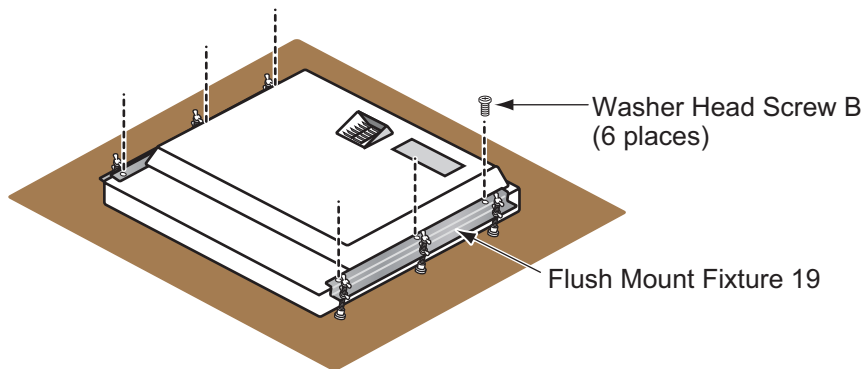
1. Use the flush mounting template (supplied) to make a cutout in the mounting location.
2. Attach the flush mounting sponges H 19 and V 19 to the back of the monitor unit in the order shown in the figure at right.



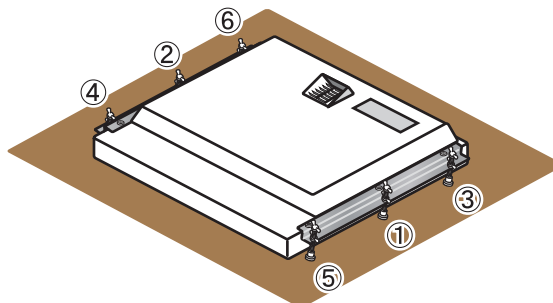
3. Screw the wing bolts and the wing nuts of the flush mount fixture 19 so that the protector for screw moves to the fixing plate.



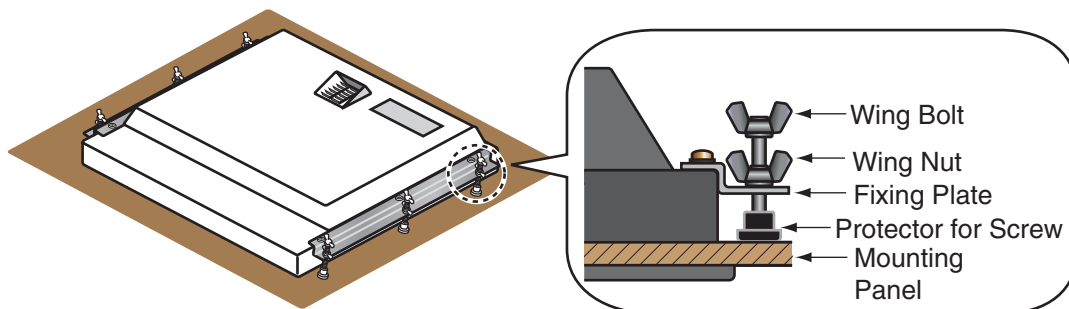
4. Connect all cables at the back of the monitor unit. See section 1.8.
5. Set the monitor unit to the cutout.
6. Fasten the flush mount fixture 19 to the right and left sides of the rear of the monitor unit with the washer head screws B (6 pcs.).



7. Fasten each wing bolt in the order shown in the figure below so that the protector for screw touches the mounting panel.



8. Fasten the wing bolts tightly to secure the monitor unit.
9. Fasten the wing nuts tightly.



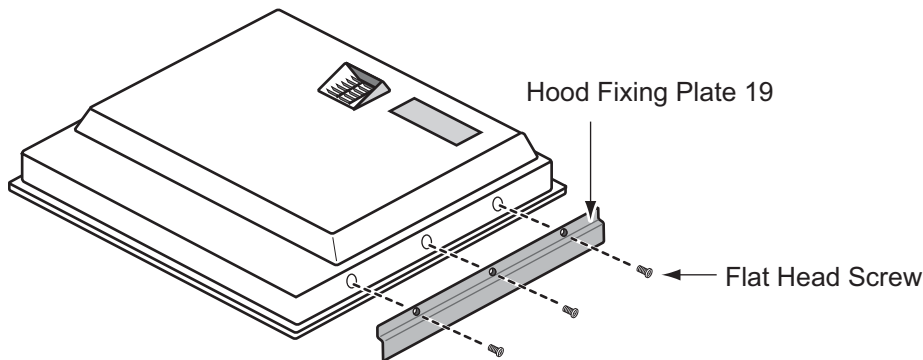
1.5 Flush Mount, Fixed at Rear, with Hood

The flush mount, fixed at rear method allows you to attach a hood assembly OP26-6 (option) to the monitor unit.

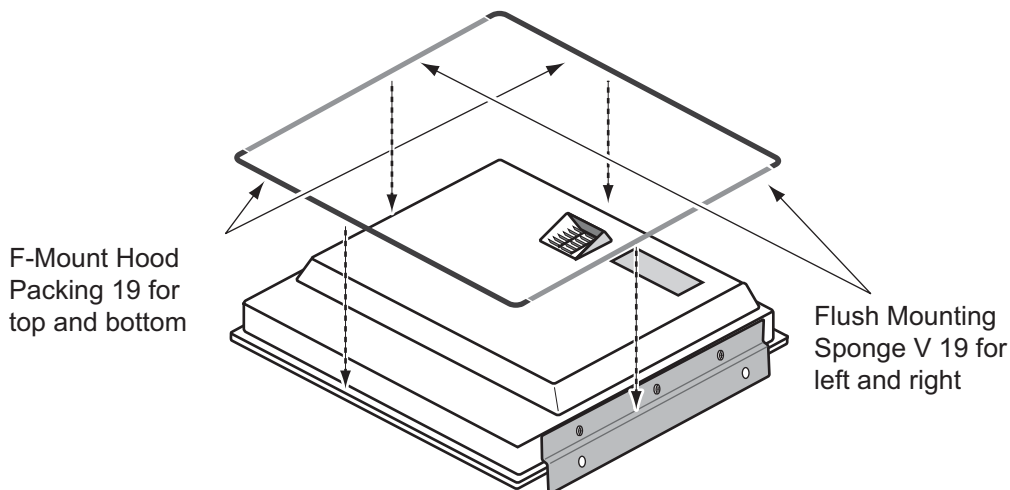
Hood assembly OP26-6 (Code No.: 001-080-930)

Name	Type	Code No.	Qty
Hood (19) Assembly	OP26-6-1	001-080-970	1
Flush Mounting Sponge V 19	26-005-3124	100-351-560-10	2
Hood Fixing Plate 19	26-005-3302	100-351-611-10	2
F-Mount Hood Packing 19	26-005-3305	100-351-620-10	2
Knob M4	03-163-2303	100-343-602-10	4
Flat Head Screw	M3x8	000-172-167-10	6
Flush Mounting Template	C42-00910	000-172-637-10	1

1. Use the flush mounting template (supplied) to make a cutout in the mounting location.
2. Fix the hood fixing plates 19 to the right and left sides of the monitor unit with the flat head screws (6 pcs.).

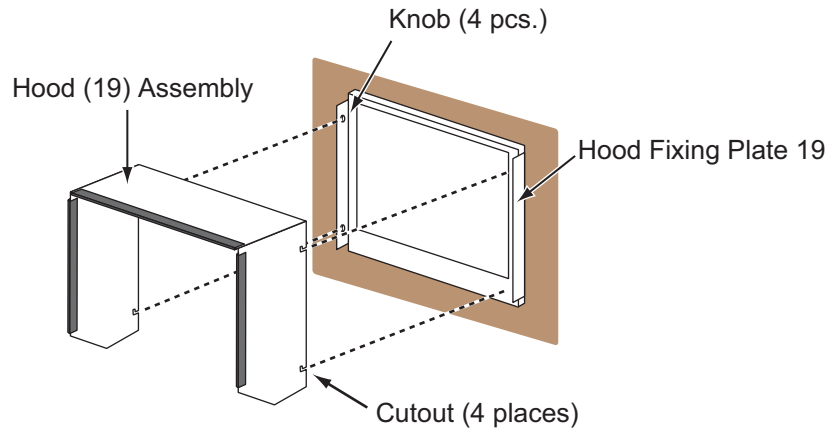


3. Attach the F-mount hood packing 19 to the top and bottom brims. Then, attach the flush mounting sponge V 19 to the right and left brims of the monitor unit from the rear side.

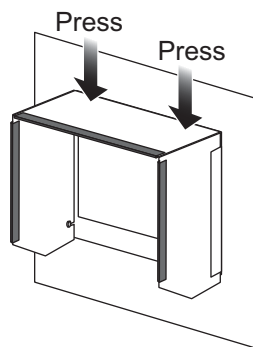


4. Follow steps 3 to 9 in section 1.4 to fix the monitor unit to the mounting location.
5. Loosely fix the knobs (4 pcs.) to the hood fixing plate 19 from inside the plate.

6. Set the cutouts of the hood (19) assembly to the knobs on the hood fixing plates 19.



7. Press the top of the hood assembly to set the knobs in the cutouts.



8. Set the hood assembly with the knobs tightly (4 pcs.).

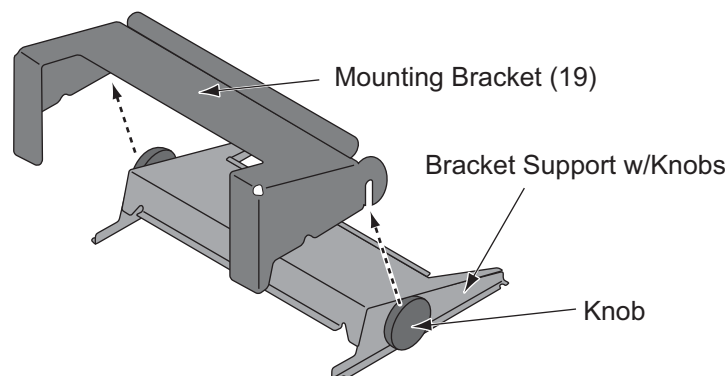
1.6 Tabletop Mount

You can fix the monitor unit to a tabletop, using the bracket assembly OP26-5 (option).

Bracket Assembly OP26-5 (Code No.: 000-016-270)

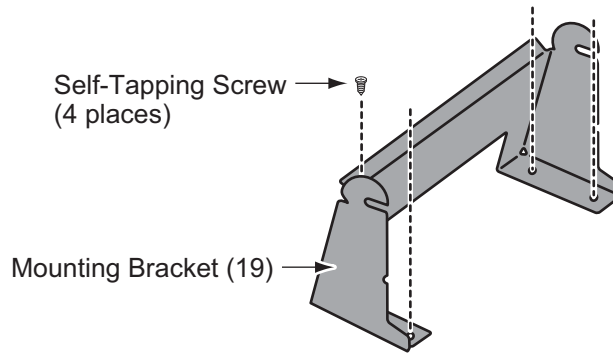
Name	Type	Code No.	Qty
Mounting Bracket (19)	OP26-5-1	001-080-910	1
Bracket Support w/Knobs	OP26-5-2	001-080-920	1
Self-Tapping Screw	5x20	000-162-608-10	4
Binding Head Screw	M4x10	000-172-165-10	9

1. Loosen the knobs of the bracket support to separate the mounting bracket (19) from the bracket support.

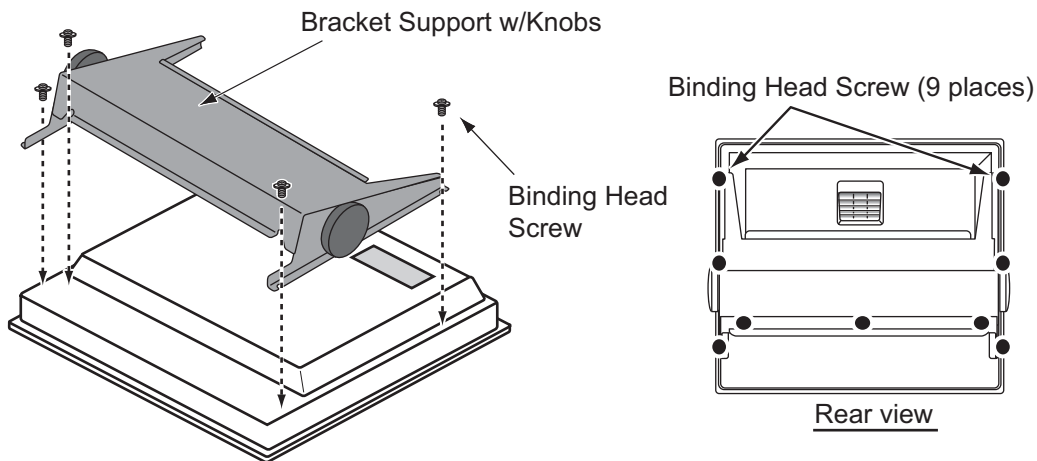


1. MOUNTING, WIRING

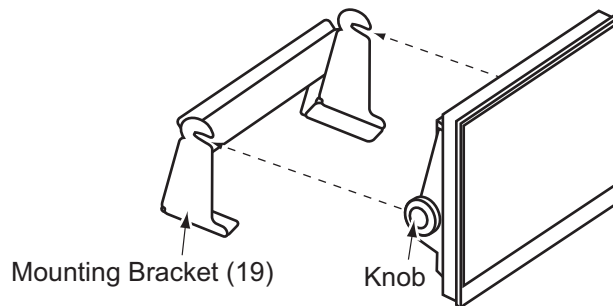
2. Set the mounting bracket to the mounting location with four self-tapping screws.



3. Attach the bracket support to the rear of the monitor unit with the binding head screws (9 pcs.).



4. Connect all cables at the back of the monitor unit. See section 1.8.
5. Loosen the knobs of the bracket support and set knobs in the notches on the mounting bracket.



6. Adjust the angle of the monitor unit and fix the knobs tightly.

How to attach the hood

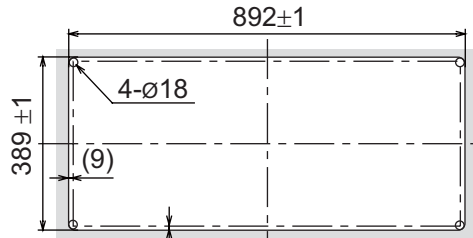
You can attach a hood to the tabletop-mounted monitor unit, using the hood assembly OP26-6 (option).

1. Follow steps 1 to 3 in section 1.6.
2. Fix the hood fixing plates 19 to the right and left of the monitor unit with the flat head screws (6 places). (See step 2 in section 1.5.)
3. Follow steps 4 to 5 in section 1.6.
4. Follow steps 5 to 8 in section 1.5.

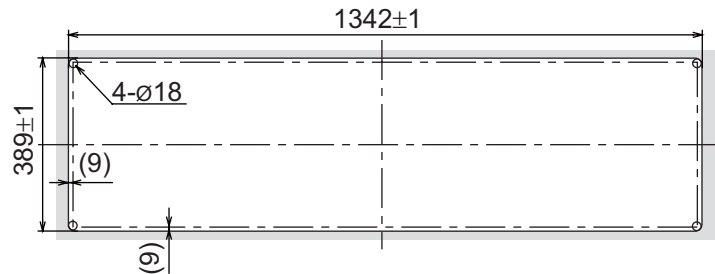
1.7 Flush Mount a Series Side by Side

You can flush mount two or three monitor units side by side, using the optional flush mount kit OP26-13 for two monitor units or OP26-14 for three monitor units (see page vii).

1. Make a cutout in the mounting location as shown below (see page D-4).



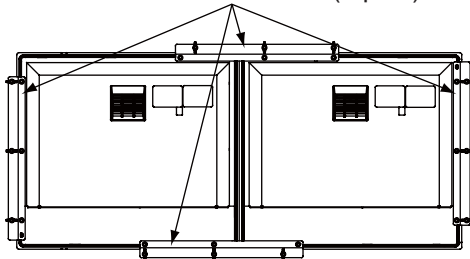
For two monitor units



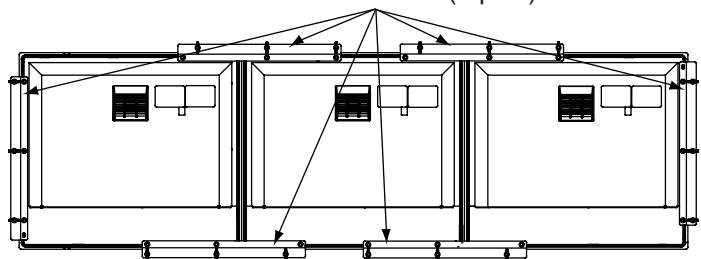
For three monitor units

2. Follow steps 2 to 5 in section 1.4 to set the two or three monitor units in the mounting location.
3. Attach the flush mount fixtures 19 with the washer head screws B to join the two or three monitor units.

Join the two monitor units with the flush mount fixtures 19 (4 pcs.).



Join the three monitor units with the flush mount fixtures 19 (6 pcs.).

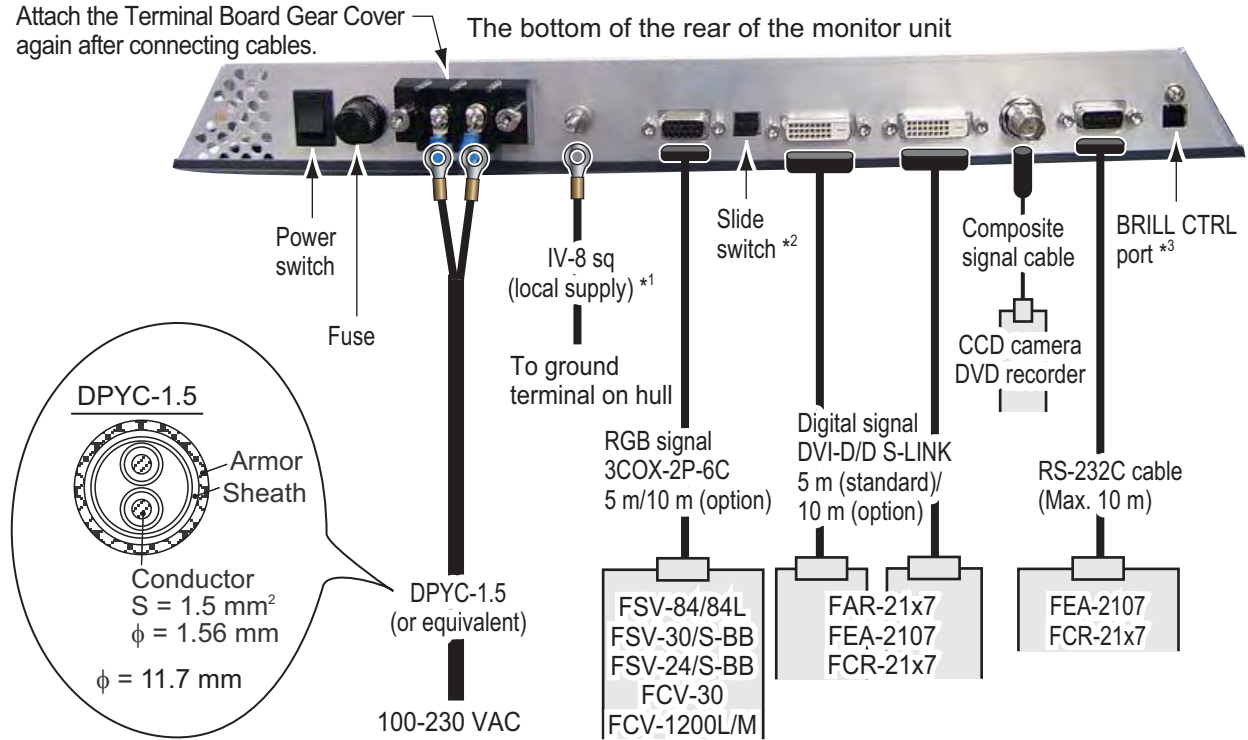


4. Fasten two or three monitor units tightly. See steps 7 to 9 in section 1.4.

1.8 Wiring

Refer to the figure below and the interconnection diagram at the back of this manual to connect cables.

Connector



*1: Attach a crimp-on lug (inner dia. $\phi 4$) for monitor unit side. Make the length of the ground wire as short as possible.

*2: Slide switch

- ON (upward): Allow digital signal from external equipment to control on/off of the monitor unit.
- OFF (downward): Set to OFF for analog RGB signal.

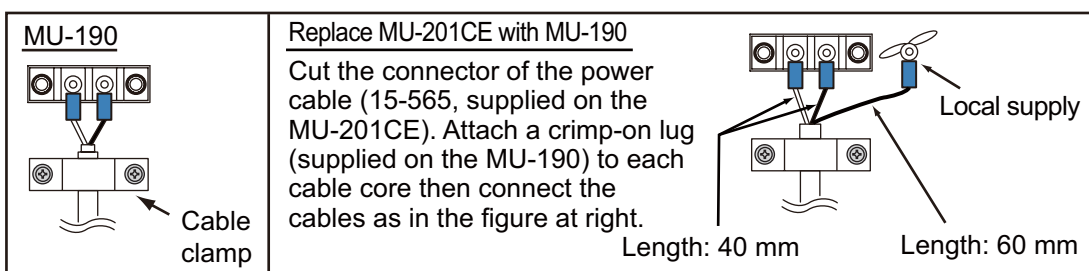
Note: Turn the slide switch off when you connect equipment to both the DVI and RGB ports.

*3: BRILL CTRL port

No use. Do not remove the sticker from the connector.

How to fix power cable

Fix the power cable with the cable clamp to prevent it from loosening.



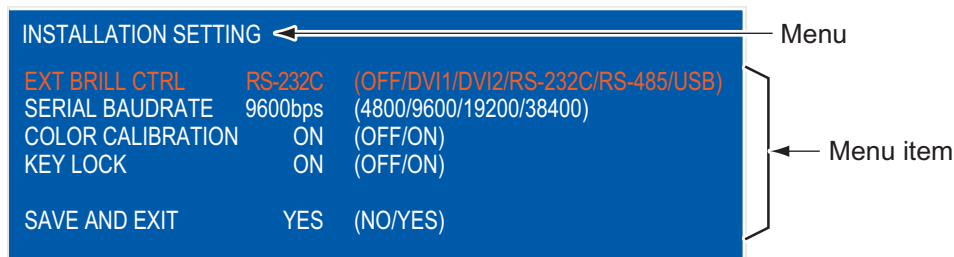
2. ADJUSTMENTS

Adjust the MU-190 according to the equipment connected.

Note: Sections 2.2, 2.3 and 2.4 are for Non-SOLAS.

2.1 Installation Settings

The [INSTALLATION SETTING] menu appears only when the power is turned on for the first time after installation.



For ECDIS (FEA-2107) or chart radar (FCR-21x7), no adjustment is necessary. Keep this equipment in the default settings.

For IMO radar (FAR-21x7) or Non-SOLAS, adjust this equipment according to the equipment connected, referring to the following table.

Connected equipment	EXT BRILL CTRL	SERIAL BAUDRATE	COLOR CALIBRATION	KEY LOCK	DVI PWR SYNC *2
FEA-2107, FCR-21x7	RS-232C	9600	ON	ON	ON
FAR-21x7	DVI *1	-	OFF	ON	ON
Other	OFF	-	OFF	OFF	OFF

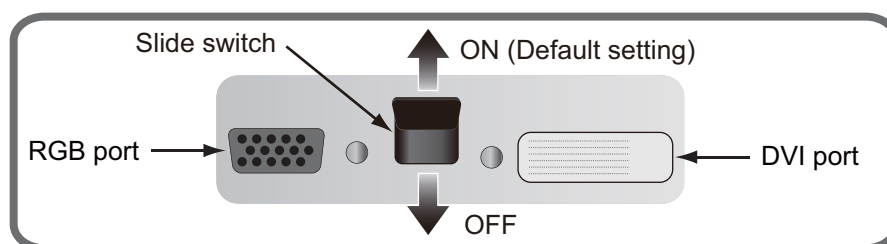
Gray items: Default setting

*1: To connect to the processor unit of a radar, connect the video signal cable to the DVI-D1 port. Then, select DVI1 to display the radar picture (see section 3.4).

*2: "DVI PWR SYNC" is the slide switch at the bottom rear of the monitor unit. See the "Slide switch" below.

Slide switch

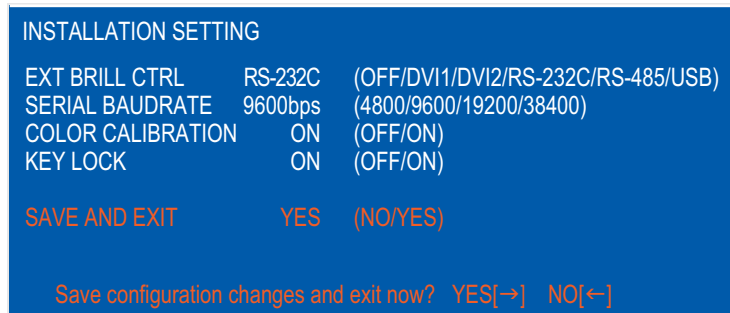
Set the slide switch (located between RGB and DVI ports) to OFF when you connect the RGB signal or both RGB and DVI signals. Otherwise, the monitor will not turn on. The slide switch is set at the factory to ON to control the power on/off from the equipment connected via DVI signal.



Bottom rear of the monitor unit

2. ADJUSTMENTS

1. Press the ▲ or ▼ key to select the menu item to adjust on the [INSTALLATION SETTING] menu. The menu item and setting currently selected (the cursor) is shown in orange.
2. Press the ◀ or ▶ key to change the setting.
3. After you adjust all settings, press the ▼ key to select [SAVE AND EXIT]. The confirmation message appears.



4. Press the ▶ key. The settings are saved and the menu is closed.
Note: To cancel the settings, press the ◀ key. The indication changes from [YES] to [NO] and you can move the cursor to the menu items with the ▲ key.

[INSTALLATION SETTING] menu descriptions

Menu item	Function	Setting
[EXT BRILL CTRL]	Adjust the brilliance of the monitor unit from the external equipment. [OFF]: You can not adjust the brilliance from the external equipment. You can adjust the brilliance with the ◻/BRILL key. [DVI1]: When the DVI1 signal is shown, you can adjust the brilliance of this display from the equipment connected to DVI-D1 port. For the screen other than the DVI1, you can adjust the brilliance with the ◻/BRILL key. [DVI2]: When the DVI2 signal is shown, you can adjust the brilliance of this display from the equipment connected to DVI-D2 port. For the screen other than the DVI2, you can adjust the brilliance with the ◻/BRILL key. [RS-232C]: You can adjust the brilliance from the equipment connected to RS-232C port. [RS-485], [USB]: No use.	[OFF], [DVI1], [DVI2], [RS-232C], [RS-485], [USB]
[SERIAL BAUDRATE]	Select the serial baud rate according to the equipment connected. Note: This function is available when you set [EXT BRILL CTRL] to [RS-232C].	[4800bps], [9600bps], [19200bps], [38400bps]
[COLOR CALIBRATION]	Select whether to use color-adjusted correction data or not. [OFF]: Do not use the adjusted data. [ON]: Use the adjusted data.	[OFF], [ON]
[KEY LOCK]	Select whether to lock the key operation or not (see paragraph 3.2.2). [OFF]: Do not lock the key operation. [ON]: Lock the key operation.	[OFF], [ON]
[SAVE AND EXIT]	Select whether to save the settings or not. [NO]: Cancel the settings. [YES]: Save the settings.	[NO], [YES]

How to open the [INSTALLATION SETTING] menu

Turn off the monitor unit. While you hold the **DISP** key, press the **⏻/BRILL** key to turn on the monitor unit. Press and hold the **DISP** key for more than five seconds.

Note: When the "DVI PWR SYNC" slide switch is ON, turn on the connected external equipment while you press the **DISP** key to turn on the monitor unit.

2.2 RGB/DVI Setting (For Non-SOLAS)

You can adjust the screen from the RGB, DVI-D1 and DVI-D2 ports individually. Turn on each external equipment and adjust the monitor unit as follows.

- Select the signal to adjust at the DISP selection window. See section 3.4.
 - Press the **DISP** key.
 - Press the **▲** or **▼** key to select [RGB], [DVI1] or [DVI2].
- Press the **MENU** key to show the menu. The main menu closes automatically when there is no operation for one minute.
- Press the **◀** or **▶** key to select [RGB], [DVI1] or [DVI2]. The current setting (the cursor) is shown in orange. The menu items available depend on the selected menu. The [DVI1] and [DVI2] setting menus contain the same items.

Note: The menus in gray are not available because of no signal.

RGB	DVI1	DVI2	VIDEO	OSD	SYSTEM	← Menu →	RGB	DVI1	DVI2	VIDEO	OSD	SYSTEM
H_SIZE		1280				Menu item	BRIGHTNESS		128	(1~256)		
V_SIZE		1024					CONTRAST		32	(1~64)		
PHASE		16	(1~32)				H_POSITION		25	(1~50)		
BRIGHTNESS		128	(1~256)				V_POSITION		20	(1~40)		
CONTRAST		32	(1~64)				R_LEVEL		128	(1~256)		
H_POSITION		50	(1~99)				G_LEVEL		128	(1~256)		
V_POSITION		20	(1~40)				B_LEVEL		128	(1~256)		
R_LEVEL		128	(1~256)				TEMPERATURE		7000K	(5000K~9300K)		
G_LEVEL		128	(1~256)				B STRETCH		OFF	(OFF, 1~10)		
B_LEVEL		128	(1~256)				W STRETCH		OFF	(OFF, 1~10)		
TEMPERATURE		7000K	(5000K~9300K)				DISP MODE		FULL	(FULL/NORMAL)		
B STRETCH		OFF	(OFF, 1~10)				SHARPNESS		1	(1~10)		
W STRETCH		OFF	(OFF, 1~10)									
DISP MODE		FULL	(FULL/NORMAL)									
SHARPNESS		5	(1~10)									

RGB setting menu

DVI setting menu

- Press the **▲** or **▼** key to select the menu item to adjust.
- Press the **◀** or **▶** key to adjust the setting.
- Press the **MENU** key to close the menu.

2. ADJUSTMENTS

[RGB], [DVI1/2] menu descriptions

Menu item	Function	Setting
H_SIZE (Only for RGB menu)	Adjust the image size horizontally. Horizontal size: ◀ (narrow), ▶ (wide)	Depending on input signal
V_SIZE (Only for RGB menu)	Adjust the image size vertically. Vertical size: ◀ (narrow), ▶ (wide)	
PHASE** (Only for RGB menu)	Adjust the sample timing so that the flicker disappears and the text is clear.	1 to 32
BRIGHTNESS	Adjust the red, green and blue color level at one time.	1 to 256
CONTRAST	Adjust the contrast level. ◀ (darken), ▶ (brighten)	1 to 64
H_POSITION	Move the image position horizontally. ◀ (leftward), ▶ (rightward)	1 to 99 (RGB), 1 to 50 (DVI1, DVI2)
V_POSITION	Move the image position vertically. ◀ (upward), ▶ (downward)	1 to 40
R_LEVEL	Adjust the red color level. ◀ (weaken), ▶ (strengthen)	1 to 256
G_LEVEL	Adjust the green color level. ◀ (weaken), ▶ (strengthen)	1 to 256
B_LEVEL	Adjust the blue color level. ◀ (weaken), ▶ (strengthen)	1 to 256
TEMPERATURE	Adjust the color temperature. ◀ (strengthen the red color level), ▶ (strengthen the blue color level)	5000 to 9300K (Step is 100.)
B STRETCH	Emphasize the black color. [OFF] (standard), ◀ (weaken), ▶ (strengthen)	[OFF], 1 to 10
W STRETCH	Emphasize the white color. [OFF] (standard), ◀ (weaken), ▶ (strengthen)	[OFF], 1 to 10
DISP MODE*	Select the display method. [FULL]: Show the input signal on entire screen. [NORMAL]: Show the input signal with original aspect ratio.	[FULL], [NORMAL]
SHARPNESS**	Sharpen the edges horizontally. ◀ (soften characters and lines), ▶ (sharpen characters and lines)	1 to 10

*: When inputting VGA, SVGA or XGA, a circle may be displayed as an ellipse because the aspect ratio differs. In this case, set [DISP MODE] to [NORMAL] on the [RGB], [DVI1], or [DVI2] menus. A black bar appears on the top and bottom of the picture, but this is normal.

** : If the characters are not clear, adjust [PHASE] and [SHARPNESS].

2.3 Video Composite Signal Setting (For Non-SO-LAS)

You can adjust the VIDEO signal from the VIDEO port. The VIDEO signal is also displayed in the PIP window (see section 3.5).

1. Select the signal to adjust at the DISP selection window.
2. Press the **MENU** key to show the menu.
3. Press the ◀ or ▶ key to select [VIDEO].

RGB	DVI1	DVI2	VIDEO	OSD	SYSTEM
PIP_SIZE		5	(1~10)		
CONTRAST		32	(1~64)		
R_LEVEL		128	(1~256)		
G_LEVEL		128	(1~256)		
B_LEVEL		128	(1~256)		
TEMPERATURE		7000K	(5000K~9300K)		
B STRETCH		OFF	(OFF, 1~10)		
W STRETCH		OFF	(OFF, 1~10)		

4. Press the ▲ or ▼ key to select the menu item to adjust.
5. Press the ◀ or ▶ key to adjust the setting.
6. Press the **MENU** key to close the menu.

[VIDEO] menu descriptions

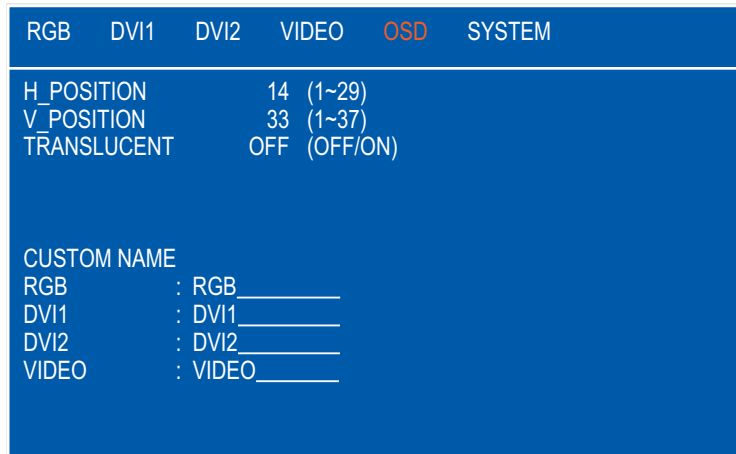
Menu item	Function	Setting
PIP_SIZE	Adjust the size of the picture-in-picture window. Note: This setting is available when the PIP window is displayed.	1 (52 mm x 35 mm) to 10 (285 mm x 194 mm)
CONTRAST	Adjust the contrast level. ◀ (darken), ▶ (brighten)	1 to 64
R_LEVEL	Adjust the red color level. ◀ (weaken), ▶ (strengthen)	1 to 256
G_LEVEL	Adjust the green color level. ◀ (weaken), ▶ (strengthen)	1 to 256
B_LEVEL	Adjust the blue color level. ◀ (weaken), ▶ (strengthen)	1 to 256
TEMPERATURE	Adjust the color temperature. ◀ (strengthen the red color level), ▶ (strengthen the blue color level)	5000 to 9300K (Step is 100.)
B STRETCH	Emphasize the black color. [OFF] (standard), ◀ (weaken), ▶ (strengthen)	[OFF], 1 to 10
W STRETCH	Emphasize the white color. [OFF] (standard), ◀ (weaken), ▶ (strengthen)	[OFF], 1 to 10

2.4 The Menu Window Setting (For Non-SOLAS)

2.4.1 How to adjust the menu window

You can adjust the position and transparency of the menu window on the [OSD] (On Screen Display) menu.

1. Press the **MENU** key to show the menu.
2. Press the ◀ or ▶ key to select [OSD].



3. Press the ▲ or ▼ key to select the menu item to adjust.
4. Press the ◀ or ▶ key to adjust the setting.
5. Press the **MENU** key to close the menu.

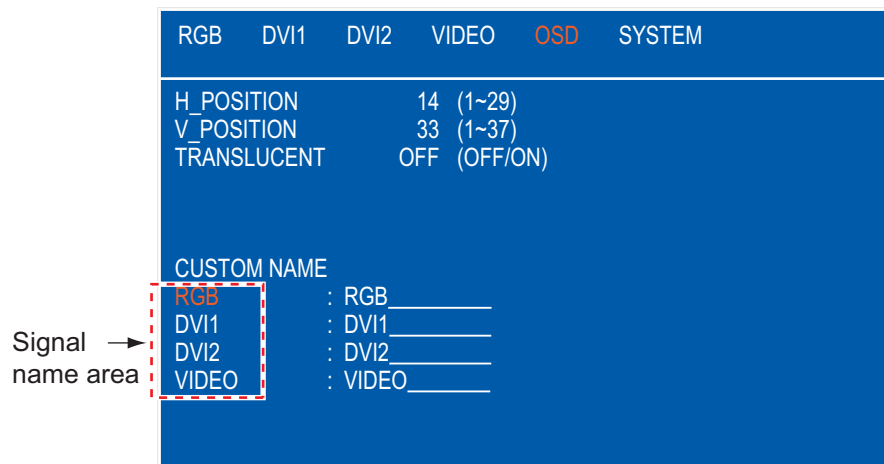
[OSD] menu descriptions

Menu item	Function	Setting
H_POSITION	Move the menu window horizontally. ◀ (leftward), ▶ (rightward)	1 to 29
V_POSITION	Move the menu window vertically. ◀ (upward), ▶ (downward)	1 to 37
TRANSLUCENT	Adjust the transparency of the background color (blue) on the menu window. [OFF]: Blue, [ON]: Translucent Note: Alpha blending technology is used for transparency effects.	[OFF], [ON]
CUSTOM NAME	See paragraph 2.4.2.	

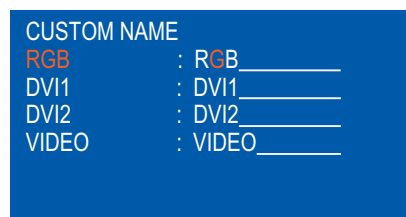
2.4.2 How to change the signal name

You can change the signal name ([RGB], [DVI1/2] or [VIDEO]) to a name (ex. the equipment name) which is easy to understand. The name is shown in the DISP selection window and the indication shown at the upper right of the screen (see section 3.4).

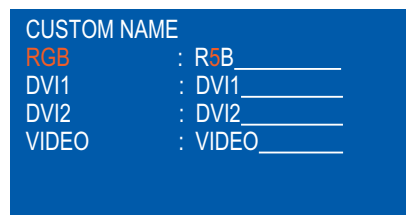
1. Press the **MENU** key to show the menu.
2. Press the ◀ or ▶ key to select [OSD].
3. Press the ▲ or ▼ key to select the signal to change its name in the signal name area. In the example below, [RGB] is selected.



4. Press the ▶ key to select the character to change. In the example below, "G" of RGB is selected.



5. Press the ▲ or ▼ key to select an appropriate alphanumeric character. In the example below, "5" is selected. You can use a maximum of ten characters. "A to Z", "0 to 9", "-", ".", " " (space) are available.

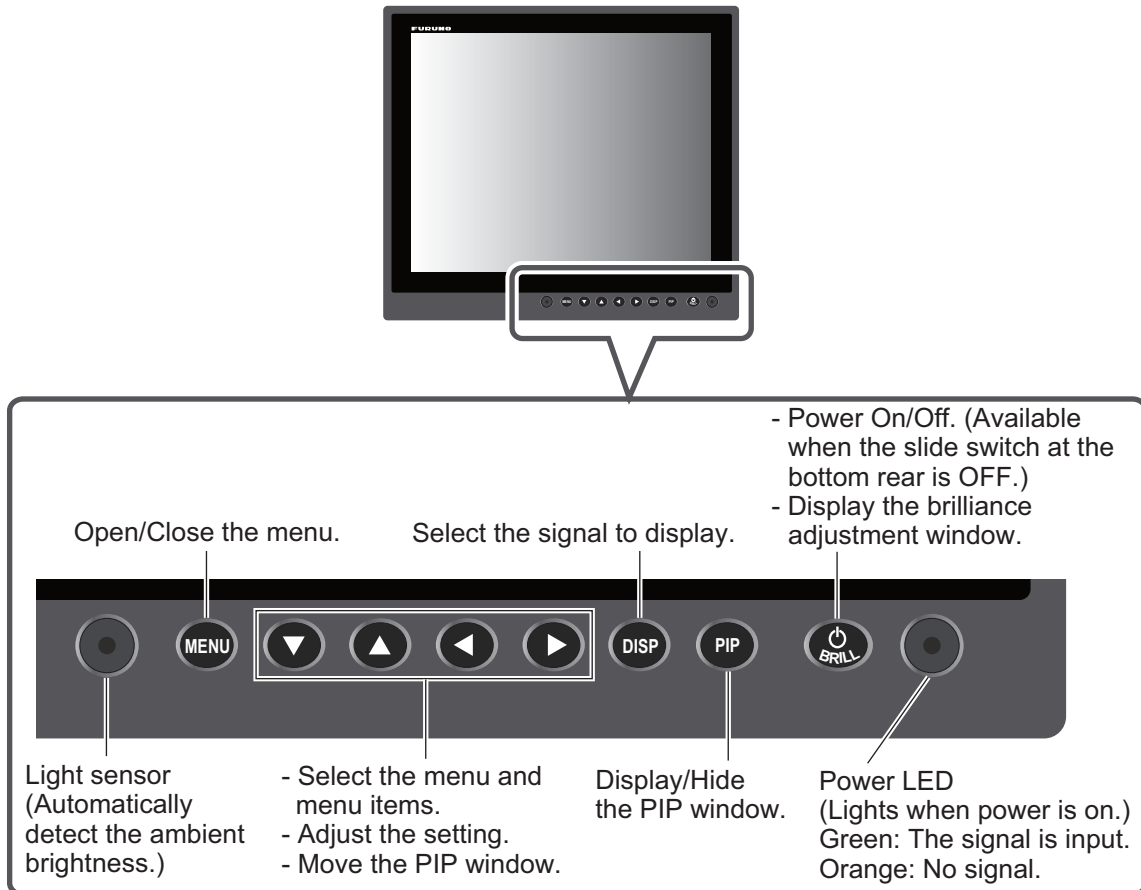


6. To change another signal name, press the ◀ key several times to return the cursor to the signal name area. Repeat steps 3 to 5.
7. Press the **MENU** key to close the menu.

3. OPERATION

Note: When you connect the monitor unit to FAR-21x7, FEA-2107 or FCR-21x7, you can turn the power on/off and adjust the brilliance via the application of the FAR-21x7, FEA-2107 or FCR-21x7 only (see section 2.1).

3.1 Controls



The dimmer for the power LED and keys changes with the display brilliance. Also, when you connect the monitor unit to FAR-21x7, FEA-2107 or FCR-21x7, the dimmer for the power LED and keys changes with the brilliance modes (Day, Dusk, Night) of those models. When you connect the monitor unit to the equipment other than FAR-21x7, FEA-2107 or FCR-21x7, the control is done from the MU-190. If the keys of MU-190 are not illuminated, provide external, dimmable illumination, e.g. gooseneck lamp.

3.2 How to Turn the Power On/Off

3.2.1 Turn the power on/off

How to turn on/off the power depends on the setting of the slide switch. The slide switch is set when the monitor unit is installed. See section 1.8.

Note: The screen refreshes slower in low ambient temperature.



Slide switch “ON”

The external equipment connected to the DVI port (DVI-D1 or DVI-D2) can turn on/off the monitor unit. See the operator's manual for the external equipment connected.

Note 1: You can not turn on the power with the /BRILL key on MU-190.

Note 2: When you connect the cables to both DVI-D1 and DVI-D2 ports, turn off the power of both equipment to turn off the monitor unit.

Slide switch “OFF”


1. Press the /BRILL key to turn on the monitor unit.
2. Press and hold the /BRILL key for three seconds to turn off the monitor unit. While you hold the key, the message shown right appears on the screen.



SHUT DOWN
This monitor will shut down in three seconds.

3.2.2 Unlock the key operation

All the keys of the monitor unit are locked by default. Unlock the keys to operate all menus.

1. Turn off the monitor unit.
2. While you hold the **PIP** key, press the /BRILL key to turn on the monitor unit. Press and hold the **PIP** key for more than five seconds. The key operation is unlocked.

Note: When the slide switch is ON, turn on the connected external equipment while you press the **PIP** key to turn on the monitor unit.


3. To lock the key operation, turn off the monitor unit and then turn it on while you hold the **PIP** key.

The setting of [KEY LOCK] in the [INSTALLATION SETTING] menu ([OFF/ON]) is mutually changed.

3.3 How to Adjust the Display Brilliance

You can adjust the display brilliance as follows:

Note: This function is available when [AUTO DIMMER] on the [SYSTEM] menu is [OFF] and [EXT BRILL CTRL] on the [INSTALLATION SETTING] menu is [OFF]. See section 2.1 and paragraph 3.6.1.

1. Press the /BRILL key momentarily to show the BRILL adjustment window. The window shown right disappears if there is no operation for five seconds.
2. Press the ◀ or ▶ key to adjust the brilliance (setting range: 1 - 50).
3. Press the ▲ or ▼ key to close the window.



Warning: If you turn off the monitor unit with minimum brilliance, the unit starts with minimum brilliance the next time it is turned on. This can make it difficult to see warnings from applications connected, etc. depending on current lighting conditions. If this occurs, do the following according to the equipment connected;

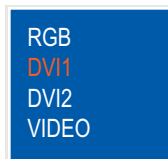
For FAR-21x7, FEA-2107, FCR-21x7: The brilliance of the monitor unit is adjusted only via the application of those equipment. See the appropriate operator's manual.

For Non-SOLAS: Press the /BRILL key repeatedly to adjust the brilliance.

3.4 How to Select the Source for Main Picture

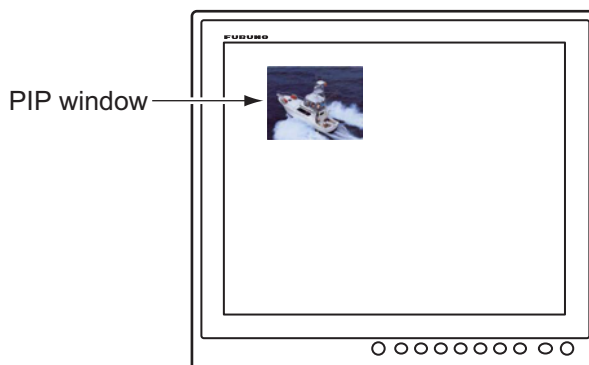
Select the signal to display on the entire screen as follows:

1. Press the **DISP** key to show the DISP selection window. The window shows the signal names as you customized them at paragraph 2.4.2. This window disappears if there is no operation for five seconds.
2. Press the **▲** or **▼** key to select a signal.
 [RGB]: Show the signal from the RGB port.
 [DVI1], [DVI2]: Show the signal from the selected DVI port.
 [VIDEO]: Show the external video from the VIDEO port.
3. Press the **◀** or **▶** key to close the window. The name of the selected signal appears at the right top corner for five seconds after the DISP selection window disappears. If there is no signal, "NO SIGNAL" appears.



3.5 How to Display the PIP Window

The PIP (picture-in-picture) window, which displays the picture input to the VIDEO port, is available on the RGB, DVI1 and DVI2 displays.



1. With the RGB, DVI1 or DVI2 display shown, press the **PIP** key to show the PIP window. To hide the PIP window, press the **PIP** key again.
2. You can move the PIP window by pressing the arrow keys when the menu is closed.

Note: You can adjust the size of the PIP window on the [VIDEO] menu (see section 2.3).

3.6 SYSTEM Menu

The [SYSTEM] menu controls the brilliance, clears the memory and shows signal status and program number.

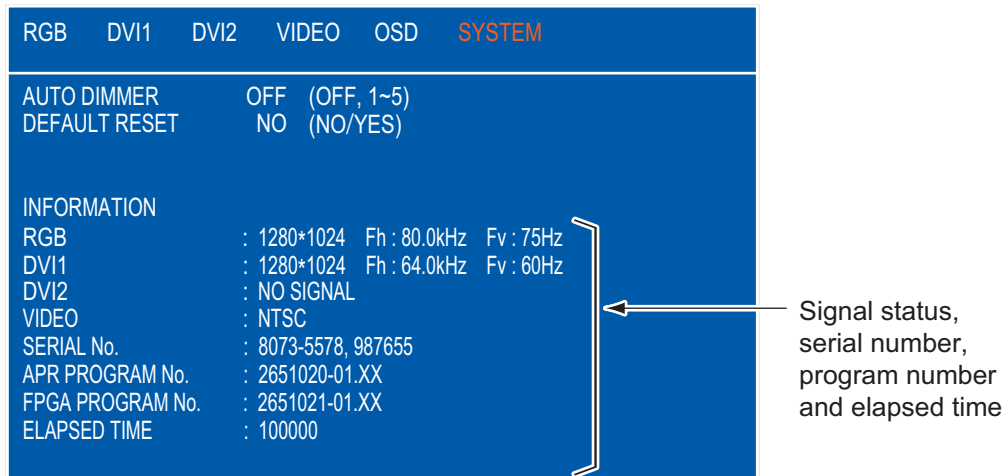
3.6.1 How to set the auto dimmer

The auto dimmer feature automatically adjusts the brilliance according to the ambient brightness detected by the light sensor on the front panel. Also, you can select the interval at which the brilliance is adjusted.

Note: Do not put any objects in front of the light sensor.

1. Press the **MENU** key to show the menu.

2. Press the ► key to select [SYSTEM].



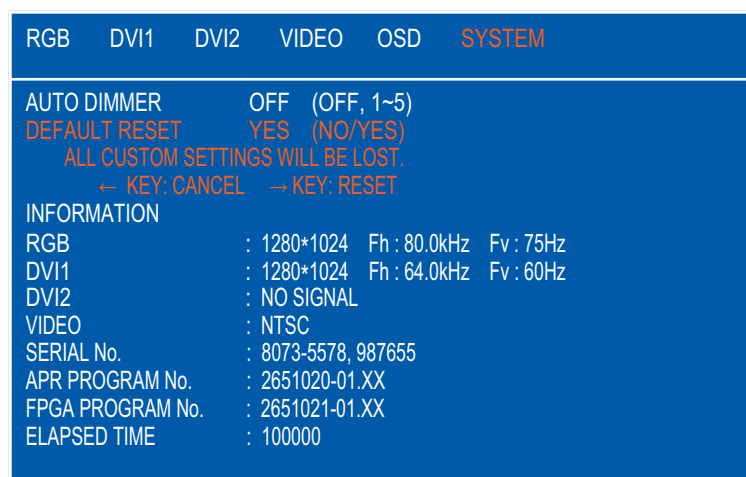
3. Press the ▲ or ▼ key to select [AUTO DIMMER].
4. Press the ◀ or ▶ key to select an interval to check brightness.
 - [OFF]: Turn of this function.
 - [1]: Every two seconds
 - [2]: Every 30 seconds
 - [3]: Every minute
 - [4]: Every three minutes
 - [5]: Every five minutes

Note: When you connect the monitor unit to FAR-21x7, FEA-2107 or FCR-21x7, set to [OFF].
5. Press the **MENU** key to close the menu.

3.6.2 How to clear the memory

You can clear the memory to restore the default settings.

1. Press the **MENU** key to show the menu.
2. Press the ► key to select [SYSTEM].
3. Press the ▲ or ▼ key to select [DEFAULT RESET].
4. Press the ► key. The indication changes from "NO" to "YES".



Note: To cancel, press the ◀ key. The indication changes from "YES" to "NO".

5. Press the ► key to select [RESET].

4. MAINTENANCE, TROUBLESHOOTING

NOTICE

Do not apply paint, anti-corrosive sealant or contact spray to coating or plastic parts of the equipment.

Those items contain organic solvents that can damage coating and plastic parts, especially plastic connectors.

4.1 Maintenance

Routine maintenance

Regular maintenance is important for good performance. Check the following on a regular basis to keep the equipment in good condition.

- Check that the connectors at the bottom of the monitor unit are tightly fastened.
- Check the ground wire and ground terminal for rust. Clean if necessary. Confirm that the ground wire is tightly fastened.
- Remove dust and dirt from the monitor unit with a dry, soft cloth. Do not use chemical cleaners to clean any part of the monitor unit. They can remove paint and markings.
- Wipe the LCD carefully to prevent scratching, using an LCD cleaning cloth (supplied as accessory). To remove dirt or salt deposits, use an LCD cleaner, wiping slowly with tissue paper so as to dissolve the dirt or salt. Change paper frequently so the salt or dirt will not scratch the LCD. Do not use solvents such as thinner, acetone or benzene for cleaning. Also, do not use degreaser or antifog solution, as they can strip the coating from the LCD.

Fuse replacement

The fuse in the fuse holder at the bottom of the display protects the equipment from overvoltage and overcurrent. If the fuse blows, find the cause before you replace it. If the fuse blows again after replacement, request service.

WARNING

Use the proper fuse.

Use of a wrong fuse can cause fire or damage to the equipment.

Name	Type	Code Number	Remarks
Glass Tube Fuse	FGBO 250V 1A PBF	000-155-828-10	

LCD replacement

The life of the LCD is approximately 50,000 hours. The actual number of hours depends on ambient temperature and humidity. When the brilliance cannot be raised sufficiently, replace the LCD.


Fan replacement

The life of the each fan is shown in the table on the next page. The actual number of hours depends on ambient temperature. When the fan does not rotate sufficiently, the message "FAN ERROR" is shown. Turn off the power and call for service to request replacement of the fan.

Item	Life	Type	Code Number
FAN1	Approximately 40,000 hours	MFB52A-12HA-001	000-172-023-10
FAN4	Approximately 60,000 hours	LQ0DDB0094	000-172-144-10

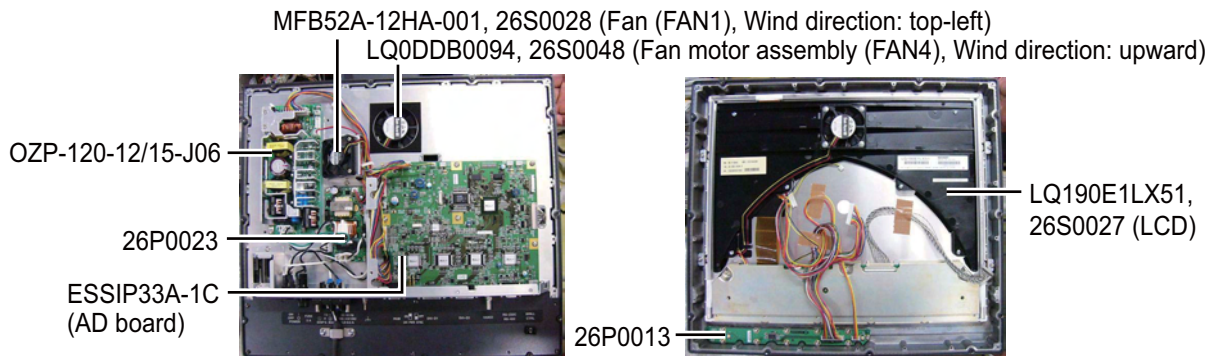
4.2 Troubleshooting

See the following table to find the possible causes of trouble and the actions to restore normal operation. If repair of the equipment is necessary, report the result of the troubleshooting to the service technician.

Case	Remedy
You can not turn on the power.	<ul style="list-style-type: none"> • Check if the power switch at the bottom of the display is on. • Check the setting of the slide switch. • Check the battery voltage with a multimeter. • Check the fuse at the bottom of the display. • Fasten the power cable tightly.
You can not turn off the power.	<ul style="list-style-type: none"> • Press and hold the  BRILL key for eight seconds. • When the slide switch is set to ON, turn off the external equipment connected to turn off the monitor.
No picture	<ul style="list-style-type: none"> • Fasten the cables tightly. • Check the input signal. See section 3.6. • Check the setting for DISP selection window. See section 3.4. • Check if the display brilliance is not set to minimum.

4.3 Parts Location and Parts List

Parts location



Parts list

ELECTRICAL PARTS		Model	MU-190
		Unit	Monitor unit MU-190
PRINTED CIRCUIT BOARD		Code No.	
OZP-120-12/15-J06		-	
26P0023 (PSW board)		-	
ESSIP33A-1C (AD board)		-	
26P0013		-	
LCD		Code No.	
LQ190E1LX51, 26S0027		-	
FAN		Code No.	
MFB52A-12HA-001, 26S0028 (FAN1)		-	
LQ0DDB0094, 26S0048 (FAN4)		-	

SPECIFICATIONS OF MONITOR UNIT MU-190

1 GENERAL

1.1	Display	19-inch color LCD
1.2	Effective area	376.32 x 301.06 mm
1.3	Resolution	SXGA (1280 x 1024 pixel)
1.4	Pixel pitch	0.294 mm (Horizon/Vertical)
1.5	Brightness	450 cd/m ² typical
1.6	Contrast	900: 1
1.7	View angle	160° (up/down, left/right 80° or more)
1.8	Visible distance	1.02 m nominal
1.9	Input signal	
	RGB analog	1 port, non-interlace, RGB signal: 0.7 Vp-p, Sync. Signal: TTL level
	DVI-D	2 ports, DVI-standard, VESA DDC2B
	Composite signal	1 port, NTSC/PAL-standard, Video signal: 0.7 Vp-p
	USB	USB1.1, 12 Mbps (for dimmer control)
	RS-232C	EIA/TIA-232, 9600 bps (4800/19200/38400 bps)

2 POWER SUPPLY

100-230 VAC: 0.7-0.4 A, 1 phase, 50/60Hz

3 ENVIRONMENTAL CONDITION

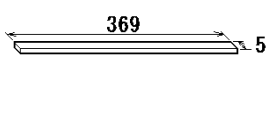
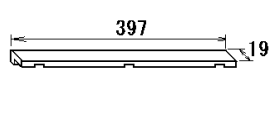
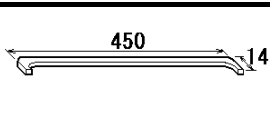
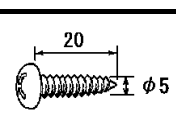
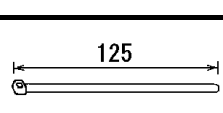
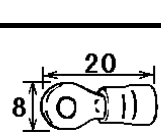
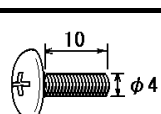
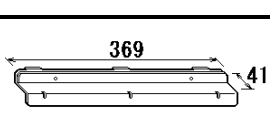
3.1	Ambient temperature	-15°C to +55°C
3.2	Relative humidity	93% or less at 40°C
3.3	Degree of protection	IP22
3.4	Category of equipment	Protected from the weather
3.5	Vibration	IEC 60945 Ed.4

5 UNIT COLOR

N2.5

FURUNO

CODE NO.	001-116-250-00	26AH-X-9401 -2
TYPE	CP26-01601	1/1

工事材料表 INSTALLATION MATERIALS		MU-190			
番号 NO.	名称 NAME	略図 OUTLINE	型名/規格 DESCRIPTIONS	数量 Q'TY	用途/備考 REMARKS
1	Fマウントスポンジ V19 FLUSH MOUNTING SPONGE V 19		26-005-3124-0	2	
			CODE NO. 100-351-560-10		
2	化粧パネル19 MASKING PANEL FOR 19" LCD		26-007-1124-2	2	
			CODE NO. 100-363-462-10		
3	Fマウントスポンジ H19 FLUSH MOUNTING SPONGE H19		26-007-1127-0	2	
			CODE NO. 100-363-240-10		
4	+トラスタップネジ 1シュ SELF-TAPPING SCREW		5X20 SUS304	4	
			CODE NO. 000-162-608-10		
5	コンベックス CONVEX		CV-125N	1	
			CODE NO. 000-172-164-10		
6	圧着端子 CRIMP-ON LUG		FV1.25-4 (LF)	2	
			CODE NO. 000-166-666-10		
7	+バインドコネジ BINDING HEAD SCREW		M4X10 SUS304	6	
			CODE NO. 000-172-165-10		
8	Fマウントパネル19組品 FLUSH MOUNT PANEL 19		CP26-01603	2	
			CODE NO. 001-134-900-00		

型式/コード番号が2段の場合、下段より上段に代わる過渡期品であり、どちらかが入っています。なお、品質は変わりません。

TWO TYPES AND CODES MAY BE LISTED FOR AN ITEM. THE LOWER PRODUCT MAY BE SHIPPED IN PLACE OF THE UPPER PRODUCT. QUALITY IS THE SAME.

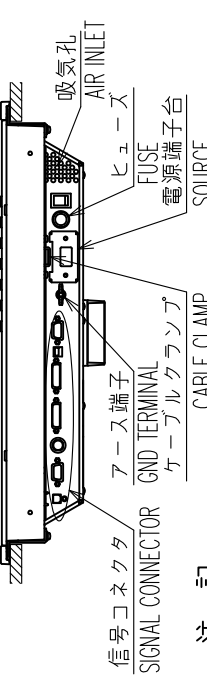
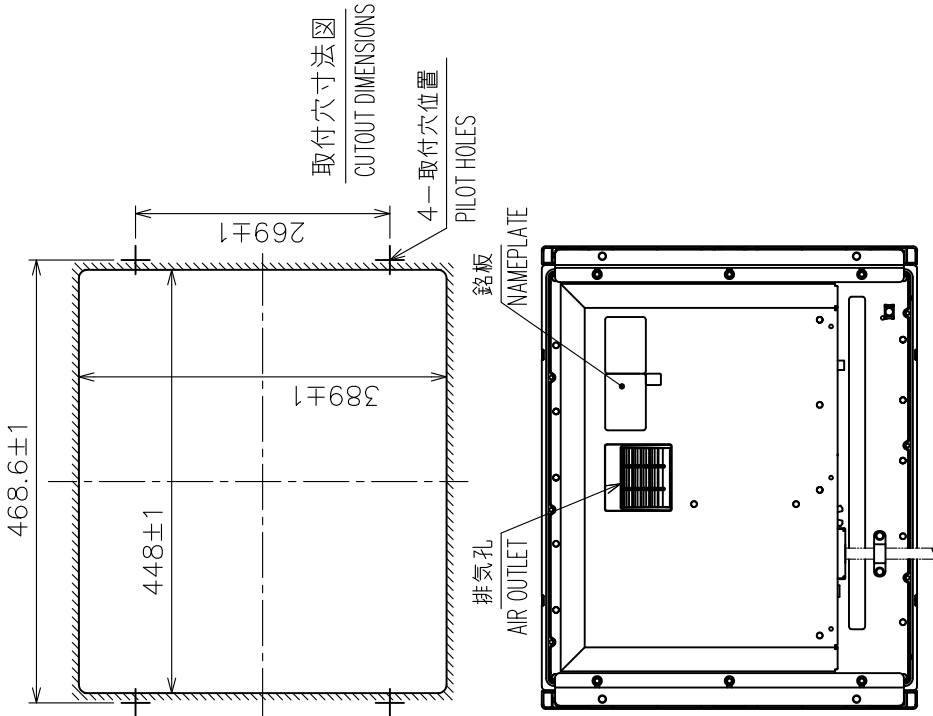
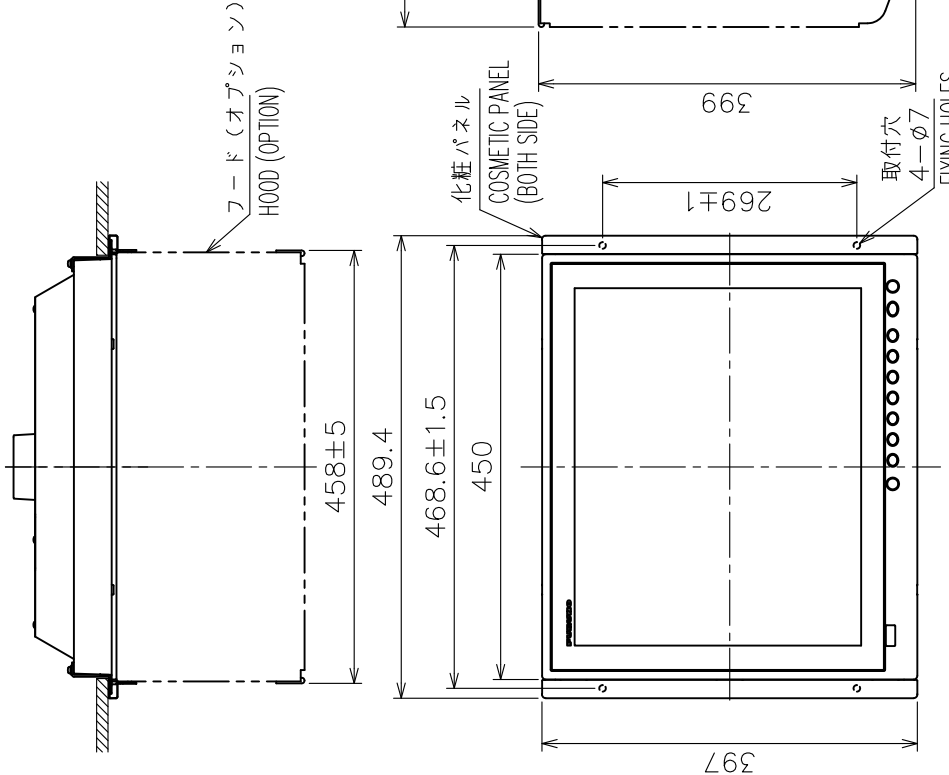
(略図の寸法は、参考値です。 DIMENSIONS IN DRAWING FOR REFERENCE ONLY.)

FURUNO ELECTRIC CO., LTD.

26AH-X-9401

表1 TABLE 1

寸法区分 (mm) DIMENSION	公差 (mm) TOLERANCE
L ≤ 50	±1.5
50 < L ≤ 100	±2.5
100 < L ≤ 500	±3



NOTE

- TABLE 1 INDICATES TOLERANCE OF DIMENSIONS WHICH IS NOT SPECIFIED.
- #: MINIMUM SERVICE CLEARANCE.
- USE TAPPING SCREWS $\phi 5 \times 20$ FOR FIXING THE UNIT.
- BULKHEAD THICKNESS(A): $10 \leq A \leq 20$.

DRAWN	18/May/2011	T.YAMASAKI	TITLE	MU-190
CHECKED	18/May/2011	H.MAKI	名称	表示部 (埋込装備 F)
APPROVED	20/May/2011	Y.NISHIYAMA	外寸図	
SCALE	1/8	質量はオプションを含みません。 MASS DOES NOT INCLUDE OPTION.	NAME	MONITOR UNIT (FLUSH MOUNT F)
DWG.No.	C3519-G33-E	REF.No.	26-007-100G-4	OUTLINE DRAWING

注記

- 指定外の寸法公差は表1による。
- #印寸法は最小サービスクリアランスとする。
- 取付ネジはトラスターピネジ呼び径5×20を使用のこと。
- 壁の厚さ(A)は最小10、最大20とする。

表1 TABLE 1

寸法区分 (mm) DIMENSION	公差 (mm) TOLERANCE
L ≤ 50	±1.5
50 < L ≤ 100	±2.5
100 < L ≤ 500	±3

表2 TABLE 2

フード HOOD	B (mm)	D (mm)
なし BLANK	6	442
あり ATTACHED	7	446

フード (オプション)
HOOD (OPTION)

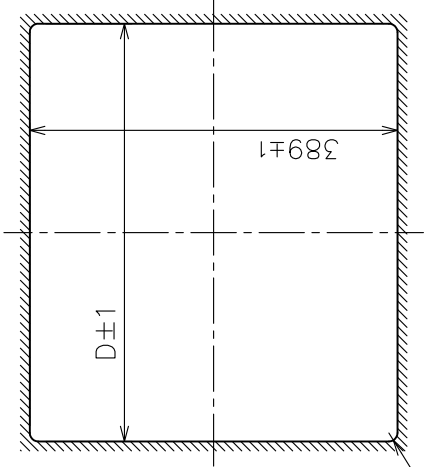
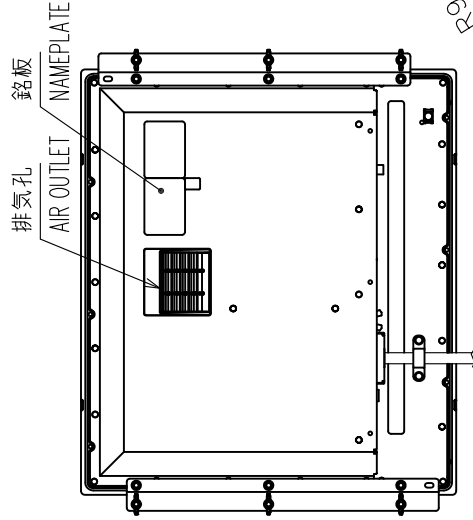
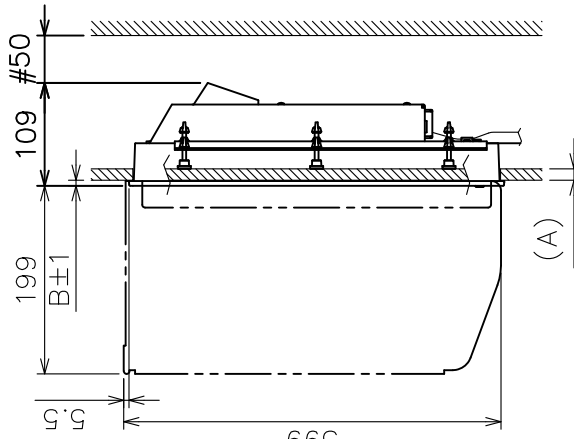
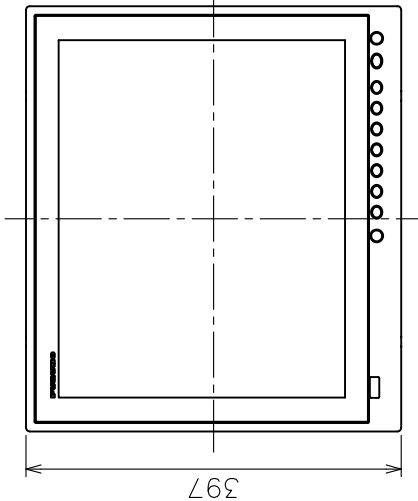
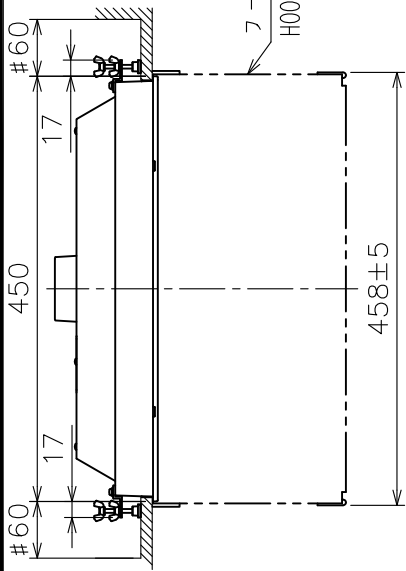
5

4

3

2

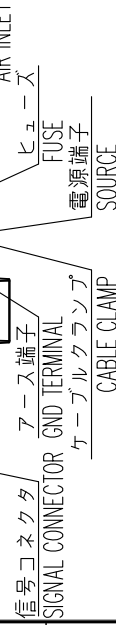
1



取付穴寸法
CUTOUT DIMENSIONS

NOTE

1. TABLE 1 INDICATES TOLERANCE OF DIMENSIONS WHICH IS NOT SPECIFIED.
2. # MINIMUM SERVICE CLEARANCE.
3. BULKHEAD THICKNESS (A): $10 \leq A \leq 20$.
4. TABLE 2 INDICATES DIMENSIONS FOR B AND D



注記

- 1) 指定外の寸法公差は表1による。
- 2) #印寸法は最小サービスクリアランスとする。
- 3) 壁の厚さ(A)は最小10、最大20とする。
- 4) B, Dの各寸法は表2による。

DRAWN	1/Mar/2011	T.YAMASAKI	TITLE	MU-190
CHECKED	1/Mar/2011	H.MAKI	名称	表示部 (埋込装備 S)
APPROVED	31/Mar/2011	Y.NISHIYAMA	外寸図	
SCALE	1/8	質量はオプションを含みません。 MASS DOES NOT INCLUDE OPTION.	NAME	MONITOR UNIT (FLUSH MOUNT S)
DWG.No.	C3519-G34-C	REF.No.	26-007-110G-3	OUTLINE DRAWING

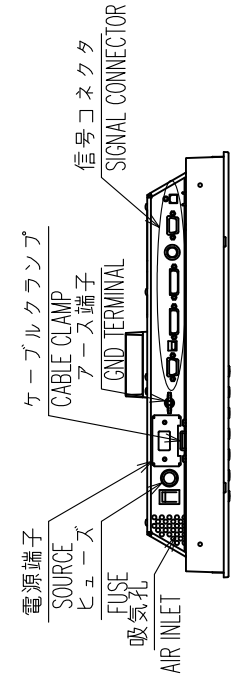
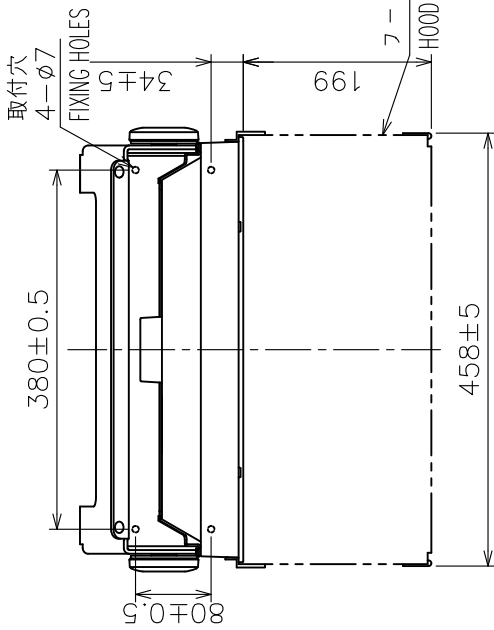
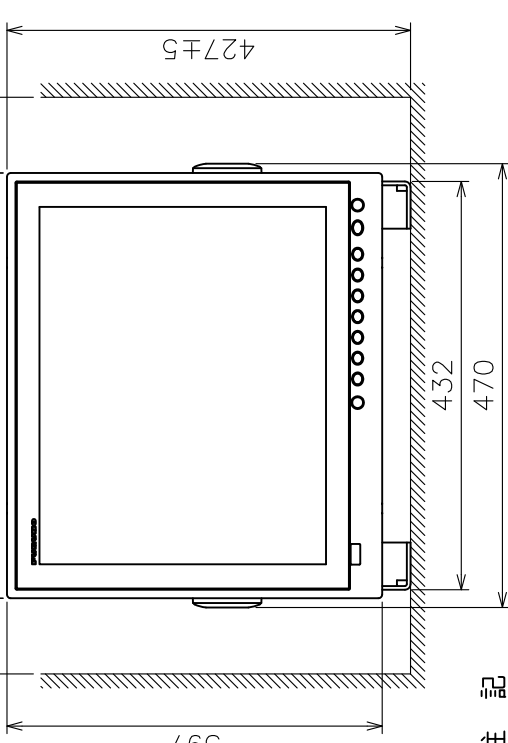
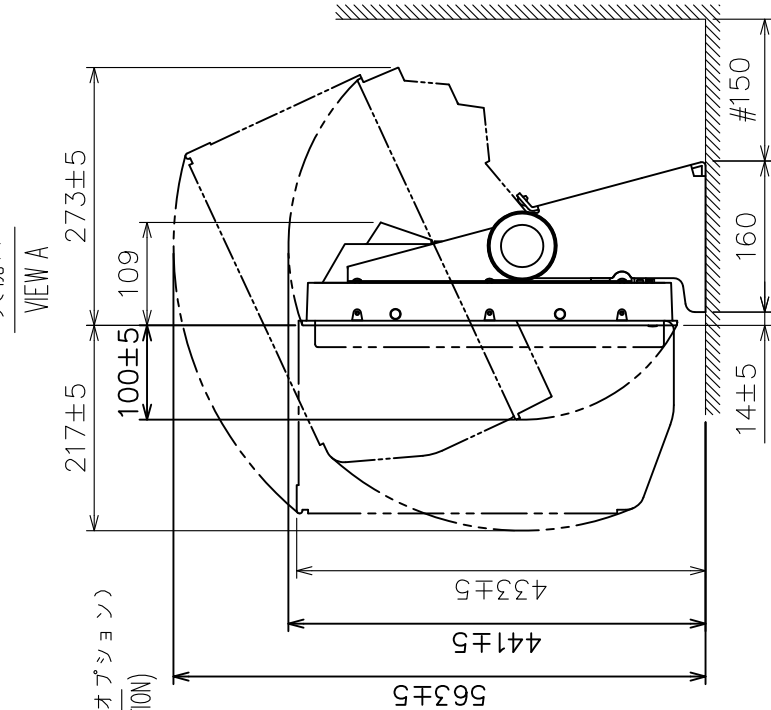


表1 TABLE 1

寸法区分 (mm) DIMENSION	公差 (mm) TOLERANCE
L ≤ 50	±1.5
50 < L ≤ 100	±2.5
100 < L ≤ 500	±3

矢視 A
VIEW A



注記

- 1) 指定外の寸法公差は表1による。
- 2) #印寸法は最小サービスクリアランスとする。
- 3) 取付用ネジはトラスタックピンネジ呼び径5×20を使用のこと。

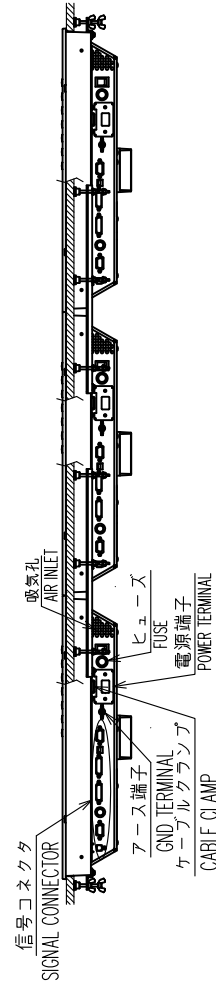
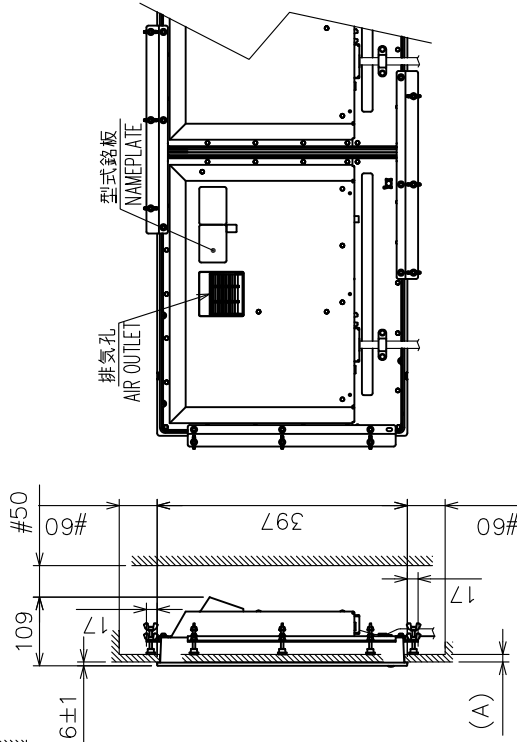
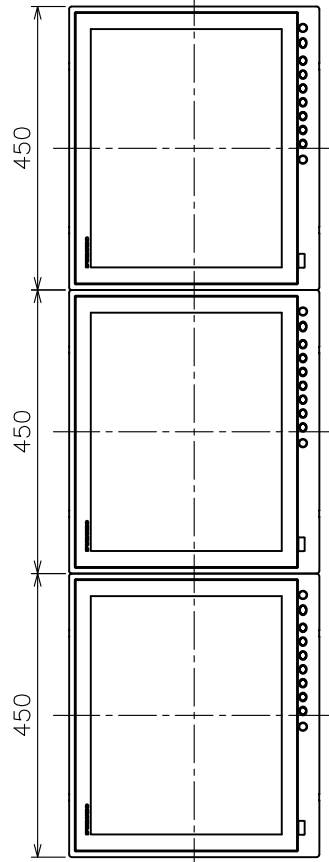
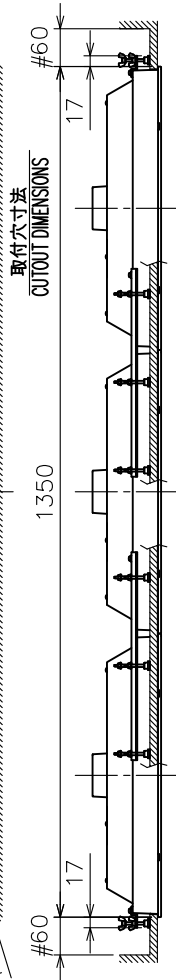
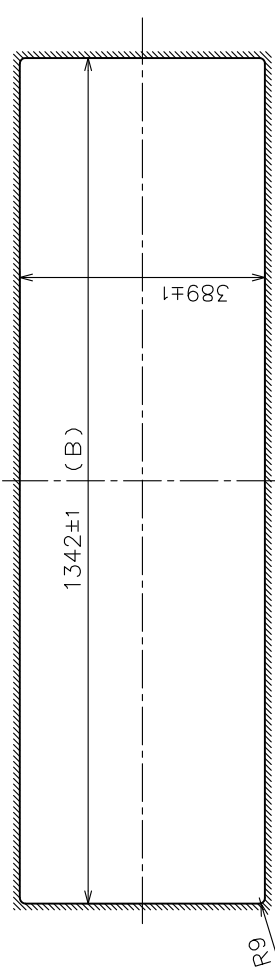
NOTE

1. TABLE 1 INDICATES TOLERANCE OF DIMENSIONS WHICH IS NOT SPECIFIED.
2. # MINIMUM SERVICE CLEARANCE.
3. USE TAPPING SCREWS φ5x20 FOR FIXING THE UNIT.

DRAWN	1/Mar/2011	T.YAMASAKI	TITLE	MU-190
CHECKED	1/Mar/2011	H.MAKI	名称	表示部 (卓上装備)
APPROVED	3/Mar/2011	Y.NISHIYAMA	外寸図	
SCALE	1/8	質量はオプションを含まず。 MASS DOES NOT INCLUDE OPTION.	NAME	MONITOR UNIT (TABLETOP MOUNT)
DWG.No.	C3519-G35-C	REF.No.	26-007-120G-2	OUTLINE DRAWING

表 1 TABLE 1

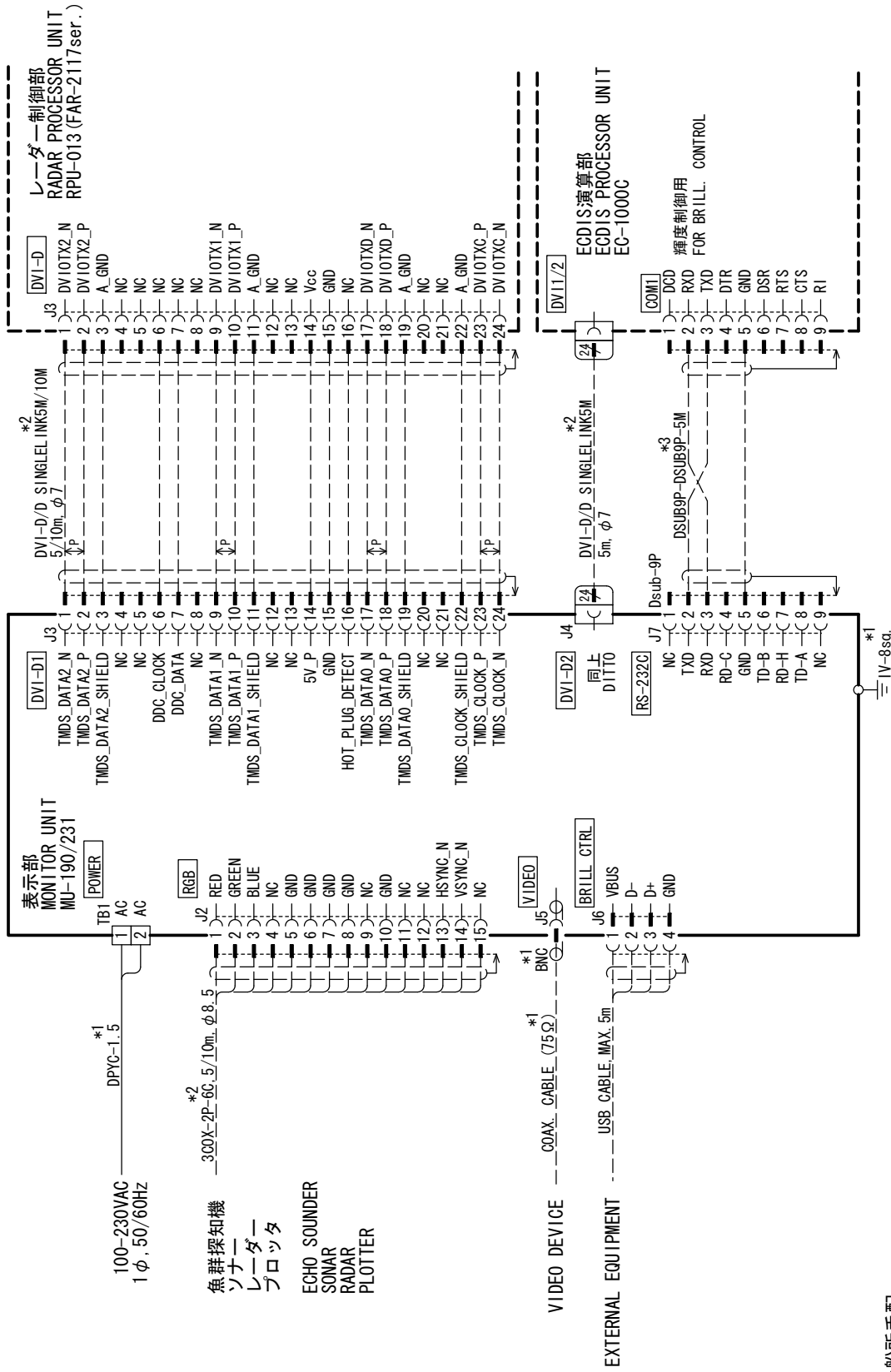
寸法区分 (mm) DIMENSION	公差 (mm) TOLERANCE
L ≤ 50	±1.5
50 < L ≤ 100	±2.5
100 < L ≤ 500	±3



- 注記 1) 指定外の寸法公差は表 1 による。
 2) #印寸法は最小サービスクリアランスとする。
 3) 壁の厚さ(A)は最小10mm、最大20mmとする。
 4) 取付穴寸法Bは(450×連結台数-8)mmとする。

- NOTE 1. TABLE 1 INDICATES TOLERANCE OF DIMENSIONS WHICH IS NOT SPECIFIED.
 2. # MINIMUM SERVICE CLEARANCE.
 3. BULKHEAD THICKNESS (A): 10 ≤ A ≤ 20
 4. CUTOUT DIMENSION (B): 450 × (No. OF UNITS) - 8

DRAWN	22/Feb/2011	T.YAMASAKI	TITLE	MU-190
CHECKED	22/Feb/2011	H.MAKI	名称	表示部 (埋込装備、三連)
APPROVED	1/Mar/2011	Y.NISHIYAMA	外寸図	
SCALE	1/12	質量は3台分 +10% MASS INCLUDES 3 SETS.	NAME	MONITOR UNIT (FLUSH MOUNT, 3 SETS)
DWG.No.	C3519-G36-A	REF.No.	26-007-130G-3	OUTLINE DRAWING



注記
* 1) 造船所手配。
* 2) オプション。
* 3) EC-1000C構成組品。

NOTE
*1: SHIPYARD SUPPLY.
*2: OPTION.
*3: CABLE ASSY. INCLUDED IN MATERIAL FOR EC-1000C.

DRAWN	31/AUG/2010	T. YAMASAKI	TITLE	MU-190/231
CHECKED	31/AUG/2010	T. TAKAHASHI	名称	表示部
APPROVED			相互結線図	
SCALE	MASS	kg	NAME	MONITOR UNIT
DWG No.	C3524-C01-A		REF. No.	INTERCONNECTION DIAGRAM

EC Declaration of Conformity



We **FURUNO ELECTRIC CO., LTD.**

(Manufacturer)

9-52 Ashihara-Cho, Nishinomiya City, 662-8580, Hyogo, Japan

(Address)

declare under our sole responsibility that the product

MONITOR UNIT MU-190 and MU-231

(Model name, type number)

to which this declaration relates is in conformity with the following standard(s) or other normative document(s)

IEC 60945: Ed.4.0: 2002, clauses 9.2, 9.3, 10.3, 10.4, 10.5, 10.6, 10.7, 10.8 and 10.9

IEC 60945: Ed.3.0: 1996, clauses 10.2 and 10.3

(title and/or number and date of issue of the standard(s) or other normative document(s))

For assessment, see

- EMC Test Report FLI 12-10-068 Rev.1, December 6, 2010 prepared by Furuno Labotech International Co., Ltd.

This declaration is issued according to the Directive 2004/108/EC of the European Parliament and of the Council of 15 December 2004 on the approximation of the laws of the Member States relating to electromagnetic compatibility and repealing Directive 89/336/EEC.

On behalf of Furuno Electric Co., Ltd.

Takahiko Kusuda
Manager, QMS Secretariat
Quality Assurance Department

Nishinomiya City, Japan
January 5, 2011

(Place and date of issue)

(name and signature or equivalent marking of authorized person)

Free Manuals Download Website

<http://myh66.com>

<http://usermanuals.us>

<http://www.somanuals.com>

<http://www.4manuals.cc>

<http://www.manual-lib.com>

<http://www.404manual.com>

<http://www.luxmanual.com>

<http://aubethermostatmanual.com>

Golf course search by state

<http://golfingnear.com>

Email search by domain

<http://emailbydomain.com>

Auto manuals search

<http://auto.somanuals.com>

TV manuals search

<http://tv.somanuals.com>