

FURUNO

OPERATOR'S MANUAL

DOPPLER SPEED LOG

Marine Speed and Distance Measuring Equipment (SDME)

MODEL DS-80



FURUNO ELECTRIC CO., LTD.
NISHINOMIYA, JAPAN

PRINTED IN JAPAN

© **FURUNO ELECTRIC CO., LTD.**

9-52 Ashihara-cho,
Nishinomiya, Japan

Telephone : 0798-65-2111

Telefax : 0798-65-4200

Your Local Agent/Dealer

All rights reserved.

Printed in Japan

PUB.No. OME-72470

(DAMI) DS-80

FIRST EDITION : FEB. 2000

M1 : FEB. 12,2003



* 0 0 0 8 0 8 8 9 6 0 1 *



* O M E 7 2 4 7 0 M 1 *



SAFETY INSTRUCTIONS



WARNING



ELECTRICAL SHOCK HAZARD
Do not open the equipment.

Only qualified personnel should work inside the equipment.

Immediately turn off the power at the switchboard if water leaks into the equipment or an object is dropped into the equipment.

Continued use of the equipment can cause fire or electrical shock. Contact a FURUNO agent for service.

Do not place liquid-filled containers on the top of the equipment.

Fire or electrical shock can result if the liquid spills into the equipment.

Do not disassemble or modify the equipment.

Fire, electrical shock or serious injury can result.

Keep the equipment away from rain and water splash.

Fire or electrical shock can result if the rain or water gets into the equipment.

Do not operate the equipment with wet hands.

Electrical shock can result.

Keep heater away from equipment.

A heater can melt the equipment's power cord, which can cause fire or electrical shock.

Use the proper fuse.

Fuse rating is shown on the equipment. Use of a wrong fuse can result in damage to the equipment.



CAUTION

Do not use the equipment for other than its intended purpose.

Improper use of the equipment can result in personal injury or equipment damage.

Turn off the equipment immediately if you feel it is abnormal.

Turn off the power from the switchboard if the equipment is emitting strange noises or becomes excessively hot. Contact your dealer for advice.

The useable ambient temperature range is 15°C to 55°C.

Do not use the equipment out of the above temperature range.

Do not place objects around the equipment.

Overheating may result.

Do not power the equipment when the transducer is in air.

The transducer may become damaged.

Handle all units carefully.

Damage can lead to corrosion.

Do not use chemical cleaners such as alcohol, acetone and benzine to clean the equipment.

Chemical cleaners can remove paint and markings. Use only a soft, dry cloth. For stubborn dirt, use a soft cloth moistened with water-diluted mild detergent.

When dry docked remove marine life from the transducer.

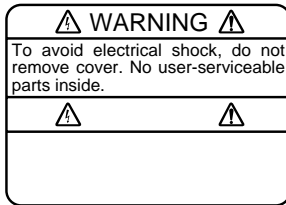
Remove marine life to maintain good sensitivity.

Do not paint the transducer face. Further, handle the transducer with care.

Paint will affect equipment performance.

WARNING LABEL

A warning label is attached to the Distributor, Transceiver and Terminal Box. Do not remove the labels. If a label is missing or is illegible, contact a FURUNO dealer or agent about replacement.



Name: Warning Label (1)

Type: 86-003-1011-0

Code No.: 100-236-230

RECORD OF MODIFICATIONS IN THIS OPERATOR'S MANUAL

Pub No.	Software (Prog. No.)	Outline of changes in Operator's Manual
Publicized for submission to type test BSH Apr/2000	03I-02J-02K (DS-800, DS-801, DS-810)	
Publicized for submission to type test BSH June/2000	6550100003I (DS-800) 6550110003J (DS-801) 6550120003K (DS-810)	
Modified to conform to IEC 61162-1 Edition 2 2002/4	DS-800: 6550100004 DS-801: 6550110003 DS-810: 6550120003	

TABLE OF CONTENTS

SPECIFICATIONS	SP-1	2 OPERATION OF OPTIONAL EQUIPMENT	12
FOREWORD.....	1	2.1 Digital Indicator DS-830, Distance Indicator DS-840.....	12
SYSTEM CONFIGURATION	2		
PRINCIPLE OF OPERATION.....	3	3 MAINTENANCE, TROUBLESHOOTING.....	14
REMARKS ON USAGE.....	4	3.1 Maintenance	14
1 OPERATION OF DISPLAY UNIT .	5	3.2 Troubleshooting	15
1.1 Controls.....	5	3.3 Diagnostics, Checking Program Number	16
1.2 Turning the Power On/Off.....	5	4 DIGITAL INTERFACE (IEC 61162-1 Edition 2).....	17
1.3 Adjusting Contrast, Panel Dimmer...	6	4.1 I/O Sentences	17
1.4 Selecting a Display.....	6	4.2 Sentence Description.....	20
1.5 Main Menu Operation.....	7	5 PARTS LOCATION AND PARTS LIST.....	23
1.6 Distance Run Operation	7	Parts Location	23
1.7 System Setting	9	Parts List.....	25
1.8 Demonstration Mode.....	11	CALIBRATION SHEET.....	29
		MENU OVERVIEW	30
		INDEX	Index-1
		Declaration of conformity	

This page is intentionally left blank.

SPECIFICATIONS OF THE DOPPLER SPEED LOG DS-80

1. GENERAL

- | | |
|-----------------------|---|
| (1) Speed Range | Fore-Aft: -10.0 to +40 knots through-the-water |
| (2) Distance Run | 0.00 to 999,999.99 nautical miles through-the-water |
| (3) Working Depth | Water depth greater than 3 m beneath the keel. |
| (4) Working Frequency | 1.0 MHz |
| (5) Speed Accuracy | 1.0% or 0.1 knots whichever is the greater |
| (6) Distance Accuracy | 1.0% or 0.1 nm whichever is the greater |

Note: Accuracy is subject to shallow water effects, to the effect of wind, current and tide, and sensor location. Any ultrasonic equipment having the same frequency may interfere with speed measurement. The Doppler Log transducer should be installed apart from the transducers of such kind of equipment.

2. DISPLAY UNIT

- | | |
|--------------------|---|
| (1) Display | Character size 15 or 21 mm H on monochrome LCD |
| (2) Indication | |
| Ship's speed | Fore: ▲**.* knots (+40.0 kt max.)
Aft: ▼**.* knots (-10.0 kt max.) |
| Distance run | *****.** nm |
| (3) Other Function | Diagnostic check |

3. DIGITAL INTERFACE

- | | |
|-------------------------|--|
| (1) Serial Signal | |
| Output: | 2 ports; VBW, VLW in IEC 61162-1 (NMEA 0183 Ver 2.0) |
| Input: | 1 port; IEC 61162 (NMEA 0183 Ver 2.0) |
| (2) Analog Signal | Speed signal for Analog display: 2 port
-3.3 mA to 10 mA/ -10 kt to +30 kt
Analog current output: 1 port
4 mA to 20 mA/ -10 kt to 30 kt
Analog voltage output: 1 port
-3.3 V to 10 V/ -10 kt to 30 kt |
| (3) Distance run output | 2 ports; Contact closure each 0.005 nm, forward speed,
30 VDC: 0.4 A |
| (4) System Check signal | 1 port, 30 VDC: 0.2 A, default: closed |

4. POWER SUPPLY

- (1) System Source 100/110/115/200/220/230 VAC:1.5/0.7 A max., 1 phase, 50-60 Hz

5. ENVIRONMENTAL CONDITION (IEC 60945)

- (1) Ambient Temperature -15°C to +55°C (units for protected area)
Analog display: 0°C to +50°C
- (2) Relative Humidity 95% at 40°C
- (3) Vibration IEC 60945 adopted
- (4) Category of Equipment
Display Unit/Distance indicator/Transceiver Unit:
For protected area
Transducer: For submerged use, 600 kPa x 12 h
Distributor/Terminal box: For protected area

6. COATING COLOR

- (1) Display Unit Cover: Munsell 2.5GY5/1.5 (light gray), Panel: N3.0 (gray)
- (2) Distribution Box Munsell 2.5GY5/1.5 (light gray)
- (3) Transceiver Unit Munsell 2.5GY5/1.5 (light gray)
- (4) Terminal Box Munsell 2.5GY5/1.5 (light gray)
- (5) Analog Display Munsell 2.5GY5/1.5 (light gray)

7. COMPASS SAFE DISTANCE

- (1) Display Unit/Digital Indicator/Digital Distance Indicator
Standard: 0.50 m, Steering: 0.40 m
- (2) Transceiver Unit Standard: 2.05 m, Steering: 1.40 m
- (3) Distribution Box Standard: 3.10 m, Steering: 2.10 m
- (4) Terminal Box Standard: 0.65 m, Steering: 0.45 m

SAFETY PRECAUTION

- There is no unit giving rise to a dose rate > 0.5 mrem/h at 50 mm.
- There is no harmful radiation from the screen.
- All units of this equipment comply with EMC requirements in IEC 60945, as required by IMO Res. A.813 (19).

FOREWORD

Foreword

Thank you for purchasing the FURUNO DS-80 Doppler Speed Log. We are confident you will discover why FURUNO has become synonymous with quality and reliability.

Dedicated in the design and manufacture of marine electronics equipment for half a century, FURUNO Electric Company has gained an unrivaled reputation as a world leader in the industry. This is the result of our technical excellence as well as our worldwide distribution and service network.

Please carefully read and follow the safety information and operating and maintenance instructions set forth in this manual before attempting to operate the equipment and conduct any maintenance. Your Doppler speed log will perform to the utmost of its ability only if it is operated and maintained in accordance with the correct procedures.

This equipment is designed, produced and documented by FURUNO Electric Co., Ltd., complying with ISO 9001 standards as certified by the Lloyd's Register of Quality Assurance System.

Features

The FURUNO DS-80 displays ship's speed relative to water, using the Doppler principle; ship's speed is measured by detecting the Doppler shift frequency from the signal returned from the watermass.

The output is interfaced with ARPA, AIS, and other shipborne equipment in IEC 61162-1 format.

The main features of the DS-80 are

- Simple operation. In most cases all that is required to display ship's speed is to turn on the equipment.
- Pair-beam system effectively reduces error caused by pitching. The transducer assembly symmetrically emits two sonic beams, one fore and the other aft. By averaging the Doppler shift in both directions accurate speed data is available under rough sea conditions.
- Speed and distance information on the adjustable-contrast LCD display.
- Analog display, digital Indicator and digital distance indicator display optionally available.
- Conforms to the following standards: IMO A.824(19), as amended by MSC.97(72), IMO A.694(17), IEC 61023, IEC 60945 (3rd edition), IEC 61162-1 (2nd edition)..

PRINCIPLE OF OPERATION

The Doppler speed log measures ship's speed by using the Doppler Effect, which is observed as a frequency shift resulting from relative motion between a transmitter and receiver or reflector of acoustic or electromagnetic energy. A common example of the Doppler Effect is a train. When a train is approaching, the whistle has a higher pitch than normal. You can hear the change in pitch as the train passes.

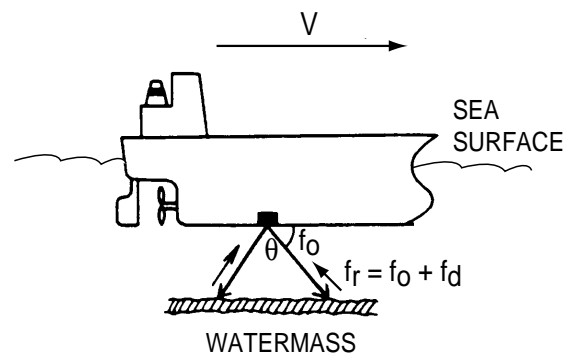
The DS-80 has a pair-beam, one directed in the fore direction and the other in the aft direction, which emits ultrasonic waves at an angle of θ to the waterline towards ship's fore and aft directions. The frequency of the received signal is then compared with that of the transmitted frequency to measure doppler shift to calculate ship's speed.

The relative motion causes the Doppler shift and the ultrasonic waves reflected at the watermass (plankton or any underwater objects) are received at the frequency of $f_r = f_o + f_d$ where f_d is the number of frequency shifts counted at the receiver circuit. To calculate ship's speed, the following formula is used.

$$V = f_d / f_o \cdot c / 2 \sin \theta$$

c : Underwater velocity

Note that the sound velocity in water changes with water temperature and water pressure but the DS-80 readout is automatically compensated for change by using a temperature sensor.



REMARKS ON USAGE

Remarks on Usage

The DS-80 measures ship's speed by detecting the Doppler shift frequency of the echo reflected by a watermass (water layer containing plankton and other micro-organisms) located within the measuring area, which is usually about 2 m. In some instances, however, no signal is returned because of too few plankton in the sensing depths. This phenomenon can occur in particular areas in particular seasons. The probable cause is the plankton are lying in deep water because an ice-melted cold water mass covers the sea surface. Similar cases may also occur in a freshwater lake. Under these circumstances the DS-80 will not show the correct ship's speed.

Conditions Affecting the Accuracy

(with ref to IMO A.824/3.3)

The Doppler speed log DS-80 is designed for reliable and accurate performance through FURUNO's long experience and advanced technology. It operates on the best choice of system frequency and power output. As far as the sonic energy is used, the performance (accuracy) may be reduced or even lost under:

- rough weather (may be sea state 6 or severer)
- improper location of sensor, e.g., too close to the propeller, thrusters, drain tubes, echo sounder transducer
- depth under the keel if less than 3 m

The accuracy will not be affected by:

- - water temperature (sound velocity)
- salinity
- pitch/roll $\pm 10^\circ$

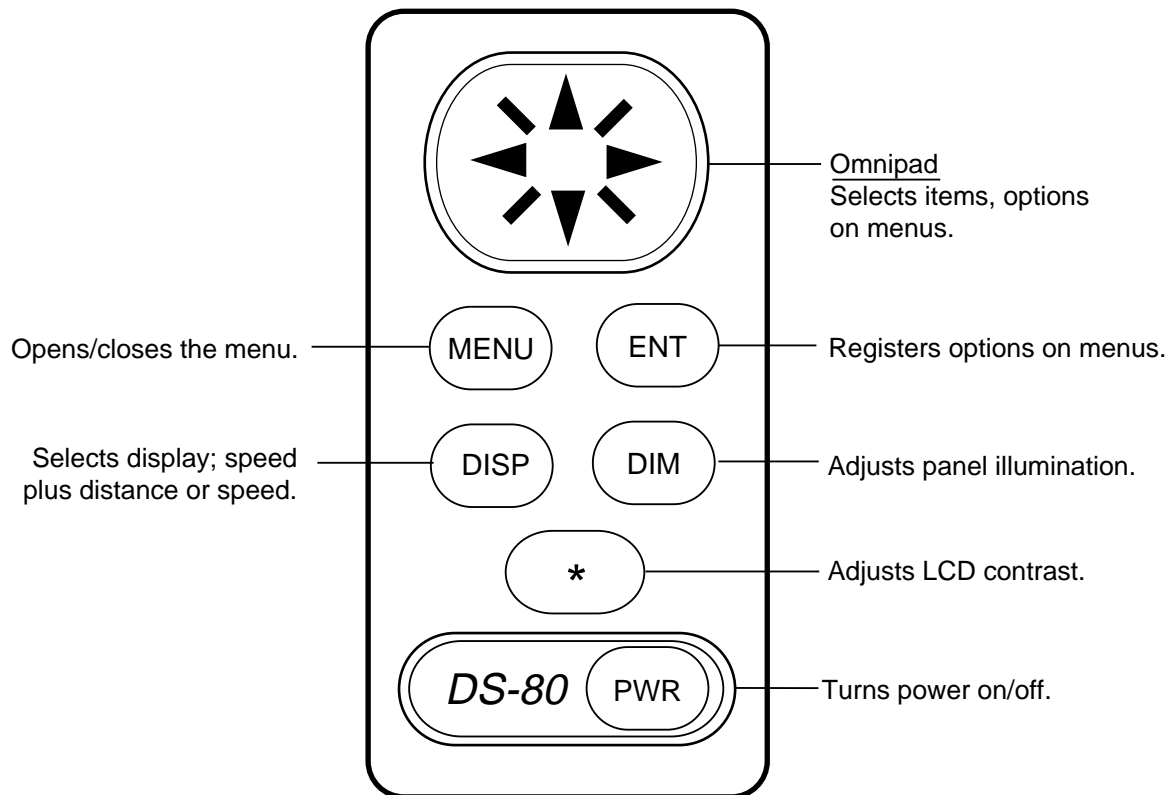
Beware of Transducer Location

The transducer may be damaged if it hits the dry dock blocks. Take the following measures to prevent damage to the transducer.

1. Before delivering the ship, draw up a suitable docking plan taking into account the dimensions and location of the transducer. Store the plans onboard the ship.
2. Place the dry dock blocks according to the plan.
3. Have a diver check the position between the transducer and the blocks before removing the water. Confirm that the transducer will not touch the blocks.

1 OPERATION OF DISPLAY UNIT

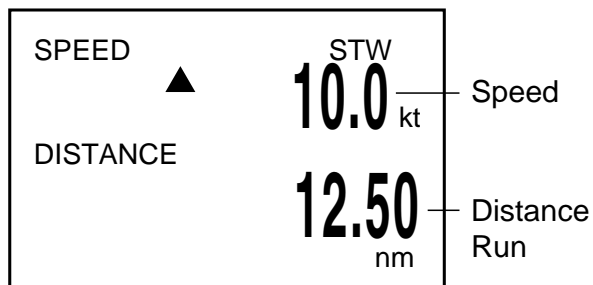
1.1 Controls



1.2 Turning the Power On/Off

1.2.1 Power on

Press the [POWER] switch to turn on the equipment. The last-used display appears. The example below shows the speed and distance run.



Note: STW means Speed Through Water. This indication flashes when transducer temperature, which can be monitored on the TEST display (see page 16), is abnormal. This means speed accuracy is less than stated in the specifications.

1.2.2 Power off

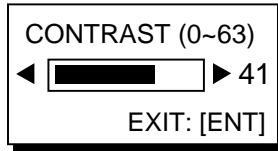
Press the [POWER] switch to turn the power off.

Note: Keep the DS-80 energized continuously unless it fails. Turning off the DS-80 may cause an inconvenience in associated equipment, such as a radar.

1.3 Adjusting Contrast, Panel Dimmer

1.3.1 Contrast

1. Press the [*] key to open the contrast adjustment dialog box.

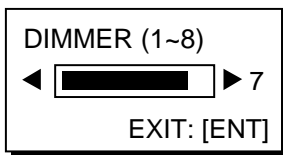


2. Press the Omnipad at ◀ or ▶ to adjust the contrast. The setting range is 0 to 63 and the default setting is 48.
3. Press the [ENT] key.

Note: The contrast is automatically set to default (48) when the power is turned on.

1.3.2 Panel dimmer

1. Press the [DIM] key to show the dimmer adjustment dialog box.

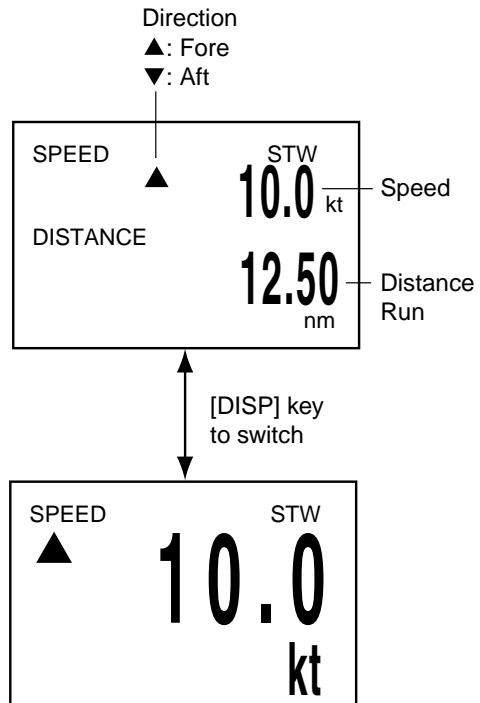


2. Press the Omnipad at ◀ or ▶ to adjust the dimmer. The setting range is 1 to 8 and the default setting is 4.
3. Press the [ENT] key to conclude.

Note: The [DIM] key is inoperative when dimmer is controlled externally.

1.4 Selecting a Display

Press the [DISP] key to select display desired. Each time the key is pressed the display shows speed and distance run or speed alone as below.



- Arrow indicates direction: ▲ indicates fore; ▼, aft.
- The distance run indication shows the total distance run in forward speed only.
- The distance run is backed up when the power is turned off.

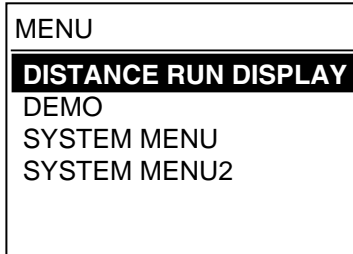
Note: Speed error may occur in rough seas because of air bubbles, etc.

When speed error occurs, the speed indication freezes, and "KT" is highlighted and blinks. If speed error continues more than 30 seconds, the speed indication changes to **.*

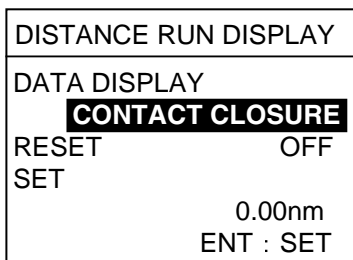
1.5 Main Menu Operation

Functions of the DS-80 are selected through the menu.

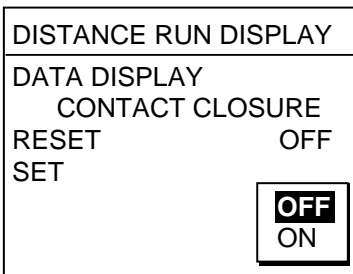
1. Press the [MENU] key to open the menu.



2. Press the Omnipad at ▲ or ▼ to select a menu item (current selection is highlighted) and press the [ENT] key. For example, when DISTANCE RUN DISPLAY is selected the following display appears. Distance run is a form of contact closure, 200 pulses/nm. To select IEC 61162 sentence, see paragraph 1.6.1.



3. Press the Omnipad at ▲ or ▼ to select the menu item desired and press the [ENT] key. For example select RESET.



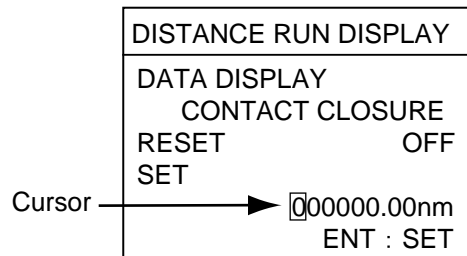
4. Press the Omnipad at ▲ or ▼ to select the menu option desired and press the [ENT] key.

5. Press the [MENU] key twice to close the menu. (Some menus require only a single pressing of the [MENU] key.)

To enter numerical data

Some menus require input of numeric data. This is done with the Omnipad.

1. Select the digit or sign (+ or -) to change with ◀ or ▶ on the Omnipad. (The cursor shows the digit or sign selected.)
2. Enter a figure at each digit by hitting the Omnipad at ▲ or ▼. The example below shows the DISTANCE RUN DISPLAY menu, where you may adjust the distance run indication for SET.



3. Press the [ENT] key to conclude.

1.6 Distance Run Operation

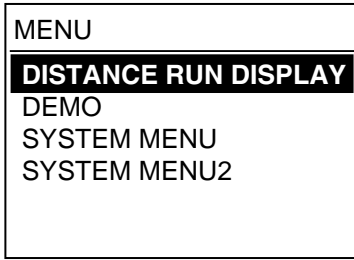
The operator may adjust and reset the distance run indication and select display method.

1.6.1 Selecting display method

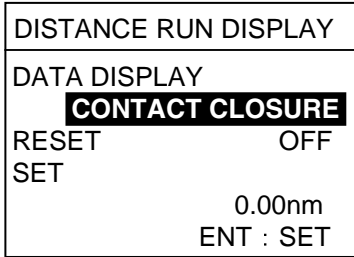
The default setting provides for independent display and adjustment of the distance run indication on all displays (display unit, Digital Indicator, distance indicator).

To show the same distance run indication on all displays do the following:

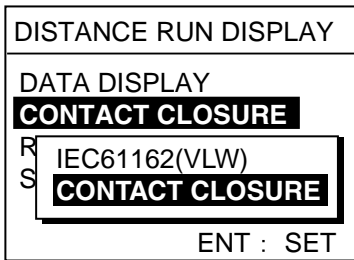
1. Press the [MENU] key to open the menu.



2. Press the Omnipad at ▲ to select DISTANCE RUN DISPLAY and press the [ENT] key.



3. Select DATA DISPLAY and press the [ENT] key.



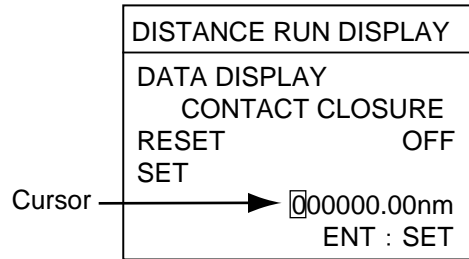
4. Press ▲ to select IEC 61162(VLW) and press the [ENT] key.
5. Press the [MENU] key twice to close the menu.

1.6.2 Adjusting distance run

Distance run can be changed when the menu item DATA DISPLAY is selected to CONTACT CLOSURE. It may also be changed only at the display unit when IEC 61162(VLW) is selected. .

1. Press the [MENU] key to open the menu.
2. Use ▲ to select DISTANCE RUN DISPLAY and press the [ENT] key.
3. Select SET and press the [ENT] key.

The cursor circumscribes the leftmost digit of the distance run figure.

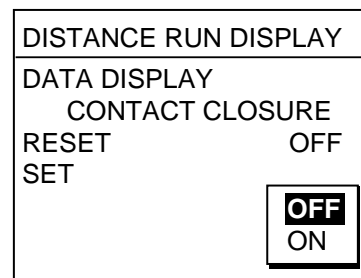


4. Press the Omnipad at ◀ or ▶ to select the digit to change.
5. Press the Omnipad at ▲ or ▼ to change value. The setting range is 0.00 nm to 999999.99 nm.
6. Press the [ENT] key followed by pressing the [MENU] key twice to conclude your selection and close the menu.

1.6.3 Resetting distance run to zero

Distance run can be reset to zero when the menu item DATA DISPLAY is selected to CONTACT CLOSURE. It may also be reset to zero only at the display unit when IEC 61162(VLW) is selected.

1. Press the [MENU] key to open the menu.
2. Press the Omnipad at ▼ to select DISTANCE RUN DISPLAY and press the [ENT] key.
3. Select RESET and press the [ENT] key.



4. Press the Omnipad at ▼ to select ON.

5. Press the [ENT] key to finish and press the [MENU] key twice to close the menu.

The distance run indication reads 0.00.

1.7 System Setting

The system setting provides the fundamental parameters for intended performance of the DS-80.

1.7.1 Displaying the system menu

1. Press the [MENU] key to open the menu.
2. Select SYSTEM MENU and press the [ENT] key.

SYSTEM MENU	
SHIP SPEED AVG	15 SEC
SPEED OFFSET	+0.0%
TRACK DEPTH	2.0 m
XDR OFFSET	+00°
SPD DATA SELECT	
	DOPPLER
	ENT: SET

1.7.2 Ship speed average

Wind and currents affect ship's speed, and speed data is averaged over the time period set on this menu. Increase the speed averaging period if the speed reading is unstable.

1. Open the SYSTEM MENU.
2. Select SHIP SPEED AVG and press the [ENT] key.

15 SEC
30 SEC
45 SEC
60 SEC

3. Select averaging time period desired among 15, 30, 45 and 60 seconds.
4. Press the [ENT] key.
5. Press the [MENU] key twice to close the menu.

1.7.3 Speed offset (calibration)

Calibration of any speed log is necessary through the sea trials during the commissioning tests. Fill in the calibration sheet which is on page 25 of this manual. Use the resultant data to calculate speed offset and enter it as below. The setting range is -25.0% to +25.0%.

1. Open the SYSTEM MENU.
2. Select SPEED OFFSET and press the [ENT] key.

SYSTEM MENU	
SHIP SPEED AVG	30 SEC
SPEED OFFSET	±0.0%
TRACK DEPTH	2.0 m
XDR OFFSET	+00°
SPD DATA SELECT	
	DOPPLER
	ENT: SET

3. Select the digit to change with ◀ or ▶ and change the value with ▲ or ▼ on the Omnipad.
4. Press the [ENT] key.
5. Press the [MENU] key twice to close the menu.

1.7.4 Tracking depth

Doppler shift measuring depth in the DS-80 is 2 m at default. If the speed readout is unstable due to air bubbles near the ship's hull, increase or decrease the track depth to stabilize the readout. The setting range is 1.0 m to 9.9 m.

1. Open the SYSTEM MENU.

SYSTEM MENU	
SHIP SPEED AVG	30 SEC
SPEED OFFSET	+0.0%
TRACK DEPTH	2.0 m
XDR OFFSET	+00°
SPD DATA SELECT	
	DOPPLER
	ENT: SET

2. Select TRACK DEPTH and press the [ENT] key.

SYSTEM MENU	
SHIP SPEED AVG	30 SEC
SPEED OFFSET	+0.0%
TRACK DEPTH	2.0 m
XDR OFFSET	+00°
SPD DATA SELECT	
	DOPPLER
	ENT: SET

3. Select the digit to change ◀ or ▶ and change the value with ▲ or ▼ on the Omnipad.
4. Press the [ENT] key.
5. Press the [MENU] key twice to close the menu.

1.7.5 Transducer offset

Sets the deviation angle of the transducer's orientation with reference to the ship's longitudinal axis. This is done at installation; no user adjustment is necessary.

1.7.6 Speed data selection

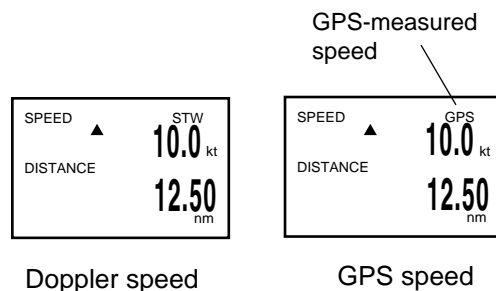
When the DS-80 fails to work as an SDME, the display unit can be used as a monitor display tool for a GPS speed or other equipment measuring the ship's speed.

1. Open the SYSTEM MENU.
2. Select SPD DATA SELECT and press the [ENT] key.

GPS
DOPPLER
AUTO

3. Select the option GPS and press the [ENT] key.
4. Press the [MENU] key twice to close the menu.

See the illustration below for speed display information. If the speed displayed is unstable perform the check described in paragraph 3.2.



"AUTO" position indicates a Doppler speed (SDME) but if the DS-80 fails, a GPS speed will be indicated.

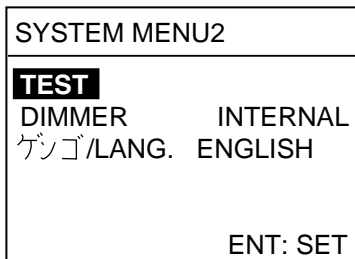
Note 1: If the log speed fails, the display unit reads a GPS speed, but speed data will not be output to other equipment.

Note 2: Doppler speed is used to calculate speed when both DOPPLER and GPS are abnormal in AUTO.

1.7.7 System menu 2

The System Menu 2 contains the diagnostic test and selection of dimmer control and display language.

1. Press the [MENU] key to open the menu.
2. Select SYSTEM MENU 2 and press the [ENT] key.



TEST: Checks the equipment for proper operation. For further details see Chapter 3.

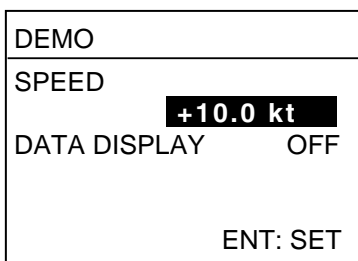
DIMMER: See paragraph 1.3.2.

LANG.: Selects the language to use in menus, English or Japanese.

1.8 Demonstration Mode

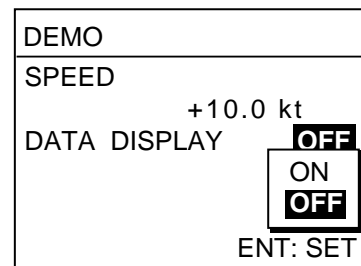
The demonstration mode outputs the Doppler speed signal to external equipment. This checks if the signal is being correctly output.)

1. Press the [MENU] key to open the menu.
2. Select DEMO and press the [ENT] key.



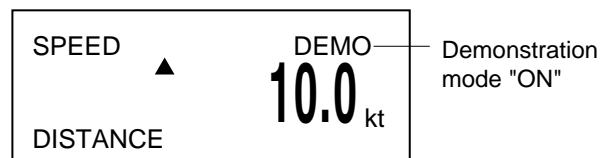
3. Select SPEED and press the [ENT] key.

4. Select the digit to change with ◀ or ▶.
5. Use ▲ or ▼ to set. (The setting range is -10.0 to +40.0 kt, and the default setting is +10.0 kt.)
6. Press the [ENT] key.
7. Press the [ENT] key to open the DATA DISPLAY menu.



8. Press ▲ to select ON and press the [ENT] key.
9. Press the [MENU] key twice to close the menu.

The indication "DEMO" appears at the top right-hand corner when the demo mode is on. To turn off the demonstration display, show the DEMO menu and set SPD to OFF.



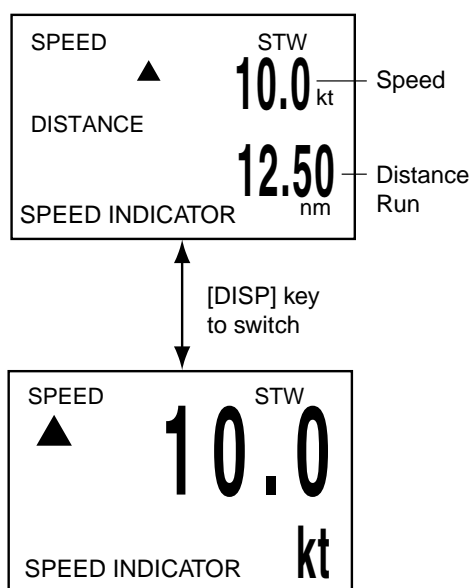
2 OPERATION OF OPTIONAL EQUIPMENT

The Digital Indicator DS-830 and Distance Indicator DS-840 have the same controls as the display unit. This chapter explains the features which are not shared with the display unit.

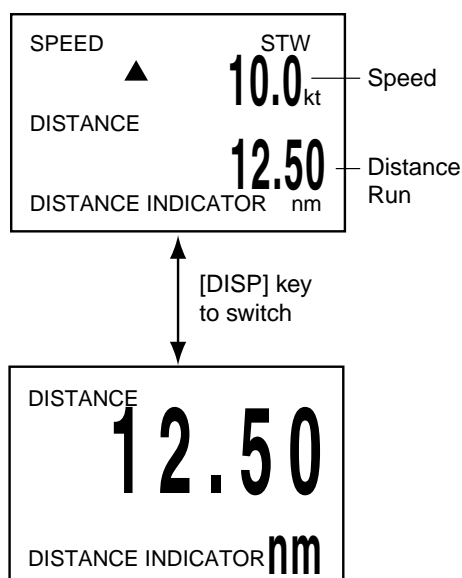
2.1 Digital Indicator DS-830, Distance Indicator DS-840

2.1.1 Selecting a display

Press the [DISP] key to select the display mode. Each time the key is pressed the display shows speed plus distance run or speed alone as below.



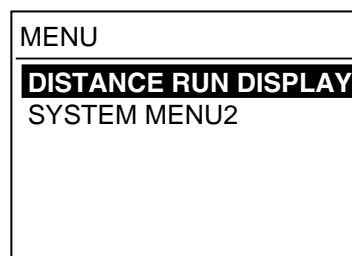
Digital Indicator DS-830



Distance Indicator DS-840

2.1.2 Menu operation

1. Press the [MENU] key to show the display below.



2. For details refer to the following:

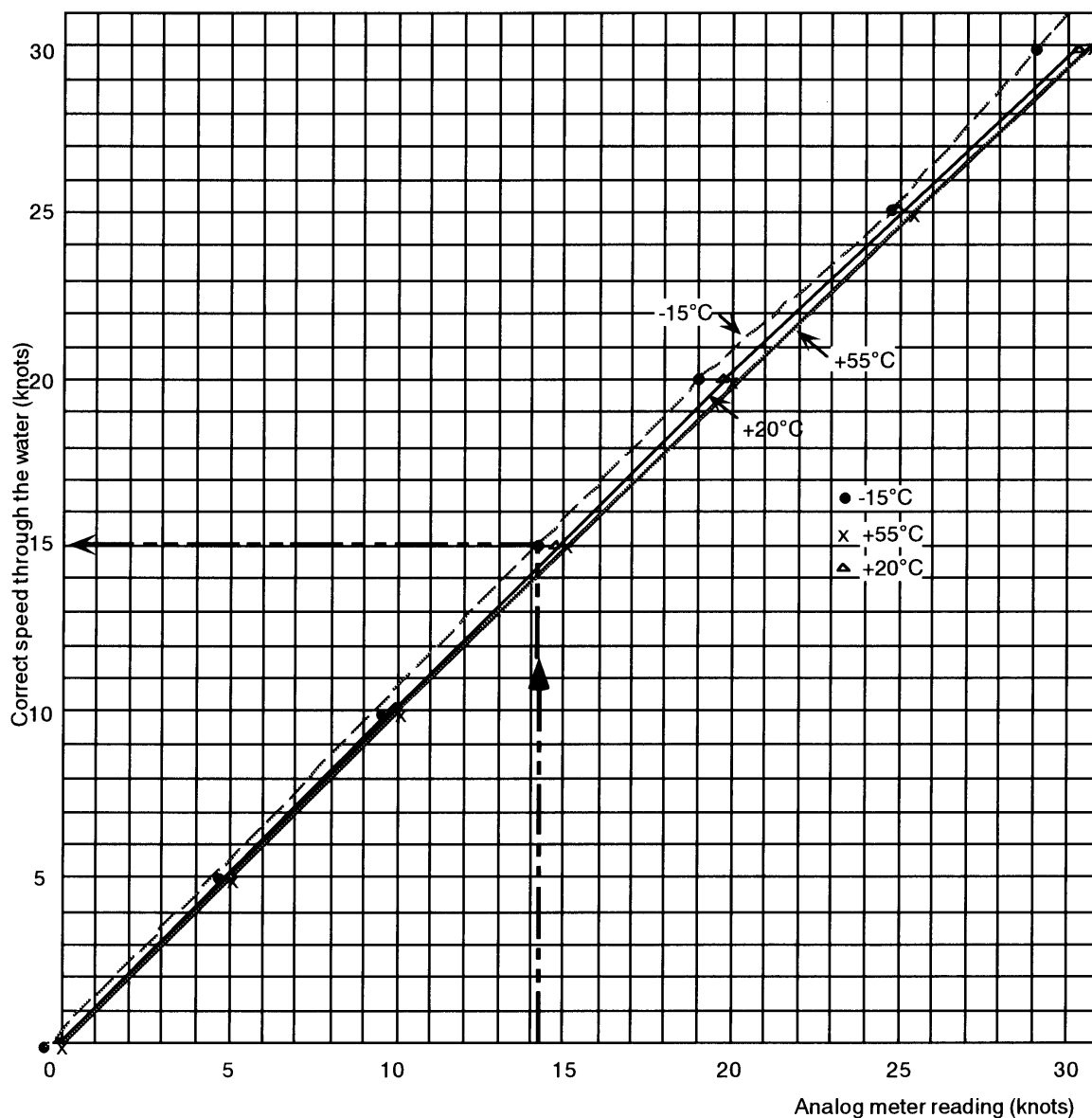
DISTANCE RUN DISPLAY: See paragraph 1.6.

SYSTEM MENU 2: See 1.7.7 System Menu 2.

2.1.3 Adjusting dimmer and contrast

See paragraph 1.3.

ANALOG DISPLAY UNIT CORRECTION DIAGRAM AT EXTREME TEMPERATURES



Doppler Speed Log DS-80
CORRECTION FACTOR FOR ANALOG DISPLAY MF-22A-1

Example:

If the analog speedometer reads 14.2 kt at a temperature of -15°C , the correct speed through the water is 15 kt. Failure of correction in low temperature can result in a maximum error of -0.8 kt or 5.3% for 14.2 kt readout. IMO limit of $\pm 2\%$ is exceeded over 10.0 – 30.0 kt reading but correction by this graph brings a correct measurement.

At $+55^{\circ}\text{C}$, an error of $+0.0$ kt ($+2.7\%$) occurs at a speed of 30 kt; no other point IMO limit of $\pm 2\%$ is exceeded.

When the digital display and analog display readouts are different, take precedence of the digital readout. At temperatures 0°C to 50°C , the speedometer never exceeds the IMO limits.

3 MAINTENANCE, TROUBLESHOOTING

WARNING

ELECTRICAL SHOCK HAZARD
Do not open the equipment.

Only qualified personnel should work inside the equipment.

3.1 Maintenance

3.1.1 Preventive maintenance

Check the following points regularly to maintain performance.

- Check that the connectors on all units of the system are firmly fastened and free of rust. Clean if soiled or corroded.
- Check that all ground wires are tightly fastened.
- Dust and dirt on the display unit including the screen may be removed with a soft cloth. Do not use chemical cleaners to clean the display unit; they can remove paint and markings.

3.1.2 Transducer maintenance

Marine life (barnacles, etc.) adhering to the transducer face will reduce sensitivity. Periodically remove any marine life from the transducer face with fine sandpaper or a piece of wood.

CAUTION

Do not paint the transducer.

Painting will affect performance.

3.1.3 Fuse replacement

Fuses in the units of the system protect the electrical circuitry from burning by overcurrent. If the equipment cannot be energized check the fuse in the power cable connected to the display unit. Locate the cause before replacing the fuse.

Unit	Rating, Qty	Type, Code No.	Location
Display Unit	1A, 2 pcs.	FGMB 1A 125 VAC, 000-114-805	Fuse holder in power cable
Distribution Box	3A, 2 pcs.	FGBO 3A 250 VAC 000-549-021	Inside unit
Transceiver Unit	1A, 2 pcs.	FGBO 1A 250 VAC, 000-549-019	

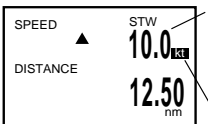
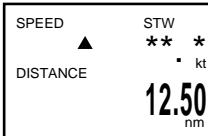
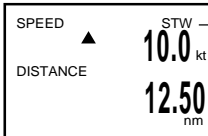
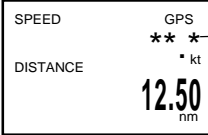
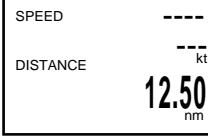
CAUTION

Use the proper fuse.

Use of a wrong fuse can cause fire or equipment damage and void the warranty.

3.2 Troubleshooting

This section provides troubleshooting procedures. Advanced level troubleshooting should be done by referring to the Service Manual (optional supply).

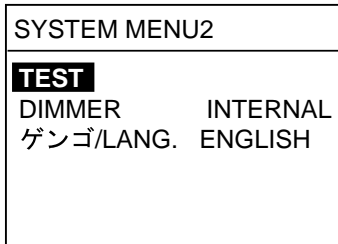
Problem	Probable cause	Remedy
General		
Cannot turn on the power.	Loosened power cable	Fasten the power cable.
	Blown fuse	Replace the fuse.
Power is on but nothing appears on the screen.	Contrast too low.	Press the [*] key several times.
Doppler speed indication		
 <p>— Last correct speed is displayed (display freezes). — Reverse video and blinking</p>		Ship's speed cannot be calculated because of air bubbles, etc. (Speed error : 30 seconds)
 <p>— Speed shown as "***.***".</p>		<ul style="list-style-type: none"> • Problem with the transducer or air bubbles. • Speed error continues more than 30 seconds.
 <p>— STW flashing</p>		<ul style="list-style-type: none"> • Temperature sensor is abnormal.
GPS speed indication		
 <p>— Speed indication shown as "***.***".</p>		GPS data error.
 <p>— "GPS" is replaced with "----".</p>		<ul style="list-style-type: none"> • No GPS data for 30 seconds. • GPS receiver disconnected.

If any abnormal speed indication continues contact your dealer for advice.

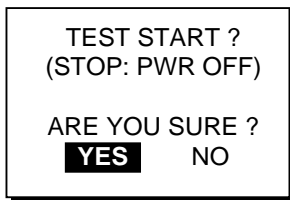
3.3 Diagnostics, Checking Program Number

The diagnostic facility checks the ROM, RAM, SIO and displays program ID.

1. Press the [MENU] key to open the menu.
2. Select SYSTEM MENU2 and press the [ENT] key.



3. Press the [ENT] key. The following display appears.



4. Press the [ENT] key to start the test. In a few moments the display should change as shown at the top of the adjacent column.

The ROM, RAM and SIO (if special connector is used) are checked for proper operation and the results shown as OK or NG (No Good). For NG, contact your dealer for advice.

The program number also appears here.

“PUSH KEY” is highlighted, prompting you to check the controls. Operate any control (except the [POWER] switch) within five seconds. The name of the activated control appears on screen if it is operating normally. Note that if no

control is operated within five seconds, the equipment automatically begins checking the LCD.

Transducer temperature

Name of control operated appears here.

TEST		
ROM	: OK	12.3CX
RAM	: OK	
SIO	: OK	
PUSH KEY		
(STOP: PWR OFF)		
	6550100003I	
	6550110003J	
	6550120003K	
No. of times test consecutively executed.	CNT: 006	

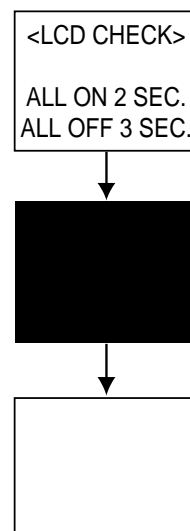
X appears when temperature sensor is abnormal

6550100003I = Display Unit DS-800
6550110003J = Distribution Box DS-801
6550120003K = Transceiver Unit DS-810

Control operated and indication

Control	Indication
▲	UP
▼	DOWN
◀	LEFT
▶	RIGHT
MENU	MENU
ENT	ENT
DISP	DISP
DIM	DIM
*	*

5. The equipment automatically checks the LCD, displaying the following in order.



6. The test repeats itself. To stop the test, turn the power switch off and on again.

4 DIGITAL INTERFACE (IEC 61162-1 Edition 2)

4.1 I/O Sentences

Input sentences of IEC61162_RX port

GGA, VTG

Output sentences of IEC61162_TX1, IEC61162_TX2 ports

VBW, VLW (Talker: VD)

Transmission interval

3 s for VBW; 1 s for VLW

Data transmission

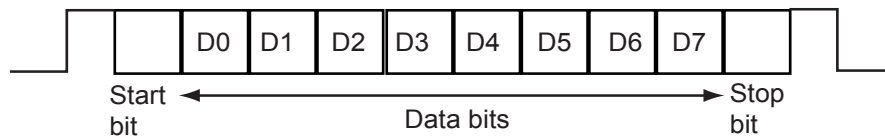
Data is transmitted in serial asynchronous form in accordance with the standard referenced in 2.1 of IEC 61162-1. The first bit is a start bit and is followed by data bits, least-significant-bit as illustrated below.

The following parameters are used:

Baud rate: 4800

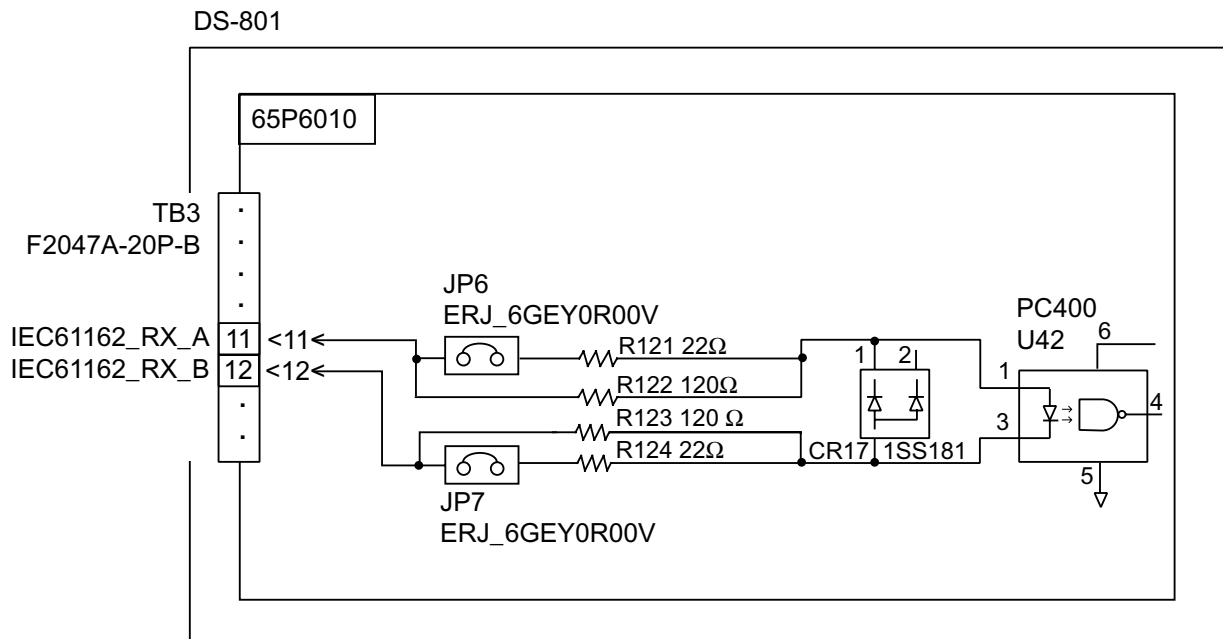
Data bits: 8 (D7 = 0), parity none

Stop bits: 1



Schematic diagrams

IEC61162 RX port



Load requirements as listener

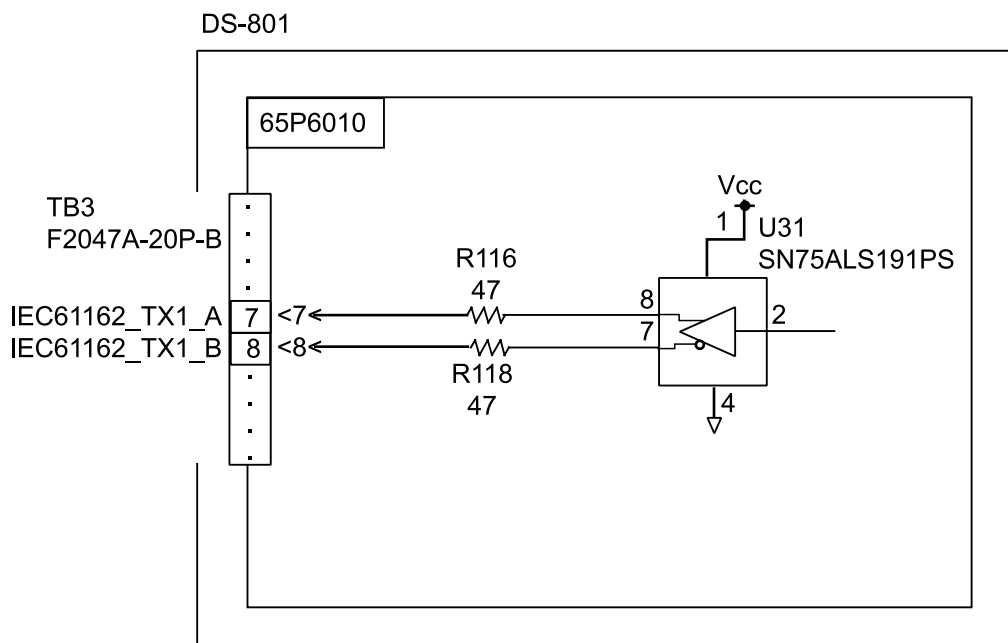
Isolation: Optocoupler

Input Impedance: 44 ohms

Max. Voltage: $\pm 2.6V$

Threshold: 4 mA

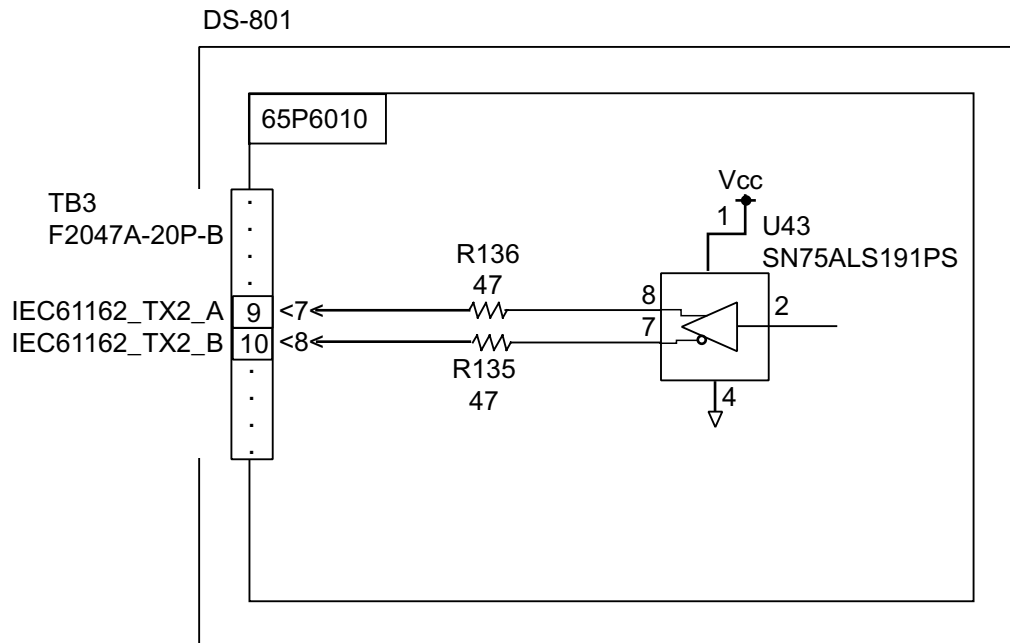
IEC61162 TX1 port



Output drive capability

Max. 20 mA

IEC61162 TX2 port



Output drive capability

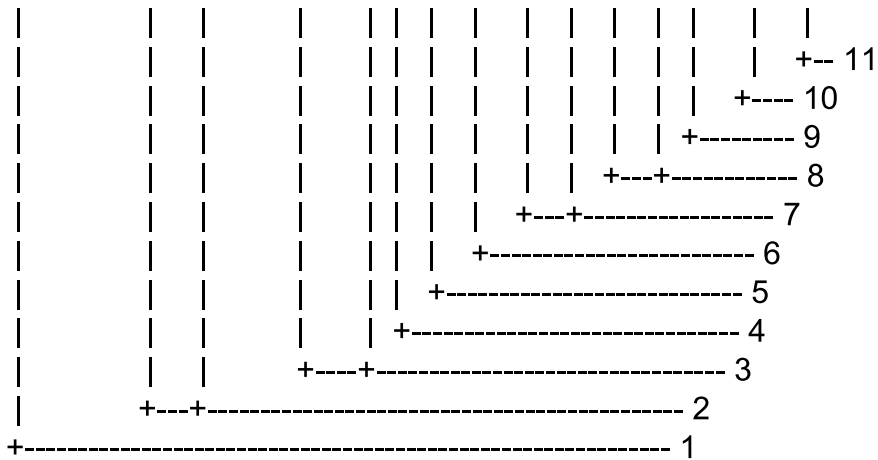
Max. 20 mA

4.2 Sentence Description

GGA - Global positioning system (GPS) fix data

Time, position and fix related data for a GPS receiver.

\$--GGA,hhmmss.ss,lll.lll,a,yyyyy.yyy,a,x,xx,x.x,x.x,M,x.x,M,x.x,xxxx*hh<CR><LF>



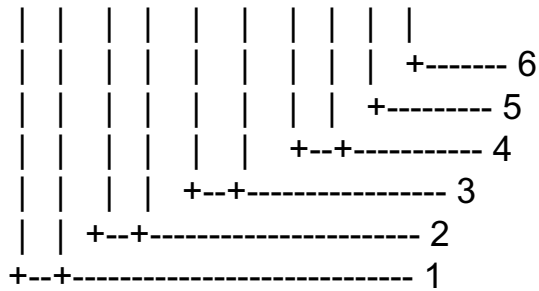
1. UTC of position
2. Latitude, N/S
3. Longitude, E/W
4. GPS quality indicator (0: No fix, 1: GPS, 2: Differential, 8: Demo mode)
5. Number of satellite in use,00-12, may be different from the number in view
6. Horizontal dilution of precision
7. Antenna altitude above/below mean sealevel, m
8. Geoidal separation, m
9. Age of differential GPS data
10. Differential reference station ID, 0000-1023
11. Checksum

Note: Item Only GPS quality indicator and antenna altitude above/below are used.

VTG - Course over ground and ground speed

The actual course and speed relative to the ground.

\$--VTG,x.x,T,x.x,M,x.x,N,x.x,K,a*hh<CR><LF>



1. Course over ground, degrees true
2. Course over ground, degrees magnetic
3. Speed over ground, knots
4. Speed over ground, km/h
5. Mode indicator(see note)
6. Checksum

NOTE Positioning system Mode indicator:

A = Autonomous

D = Differential

S = Simulator

N = Data not valid

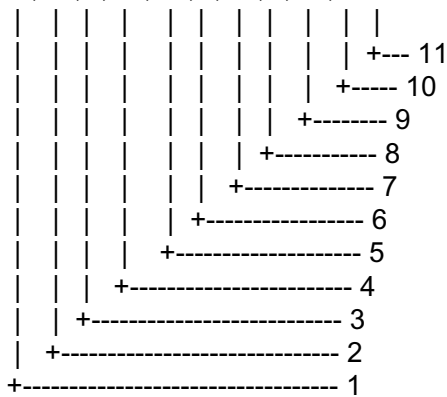
The positioning system Mode indicator field shall not be a null field.

Note: Speed, course degrees magnetic and course degrees true not used.

VBW - Dual ground/water speed

Water-referenced and ground-referenced speed data.

\$--VBW,x.x,x.x,A,x.x,x.x,A,x.x,A,x.x,A*hh<CR><LF>



1. Longitudinal water speed, knots
2. Transverse water speed, knots
3. Status: water speed, A=data valid V=data invalid
4. Longitudinal ground speed, knots
5. Transverse ground speed, knots
6. Status: ground speed, A=data valid V=data invalid
7. Stern transverse water speed, knots
8. Status: stern water speed, A=data valid V=data invalid
9. Stern transverse ground speed, knots
10. Status: stern ground speed, A=data valid V=data invalid
11. Checksum

Notes

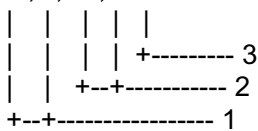
1. Longitudinal speed: "-" astern.

* Not used.

VLW - Distance travelled through the water

The distance travelled, relative to the water.

\$--VLW,x.x,N,x.x,N*hh<CR><LF>

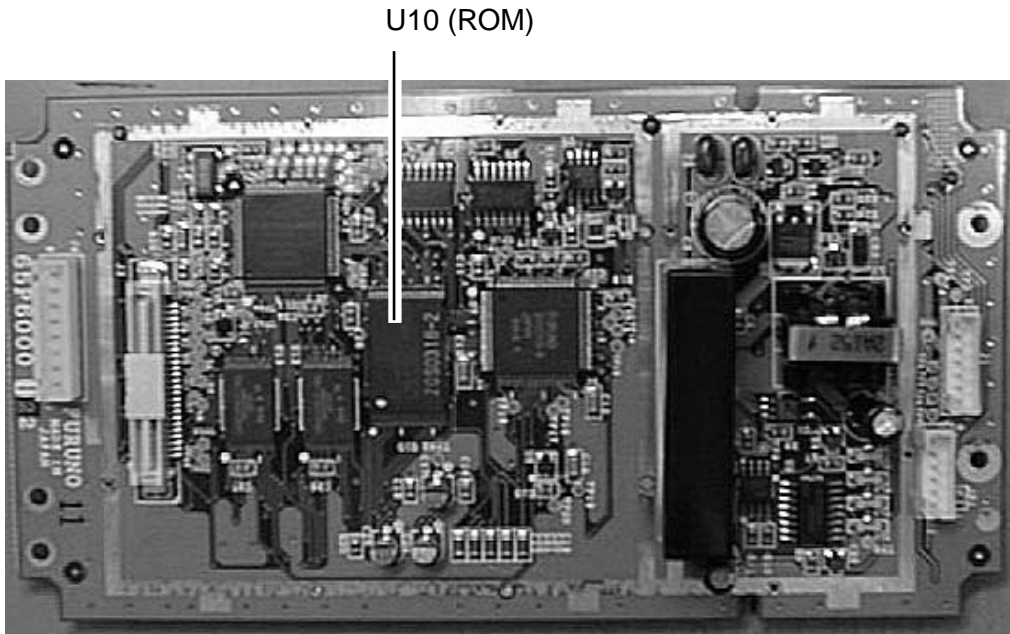


1. Total cumulative distance, nautical miles
2. Distance since reset, nautical miles
3. Checksum

5 PARTS LOCATION AND PARTS LIST

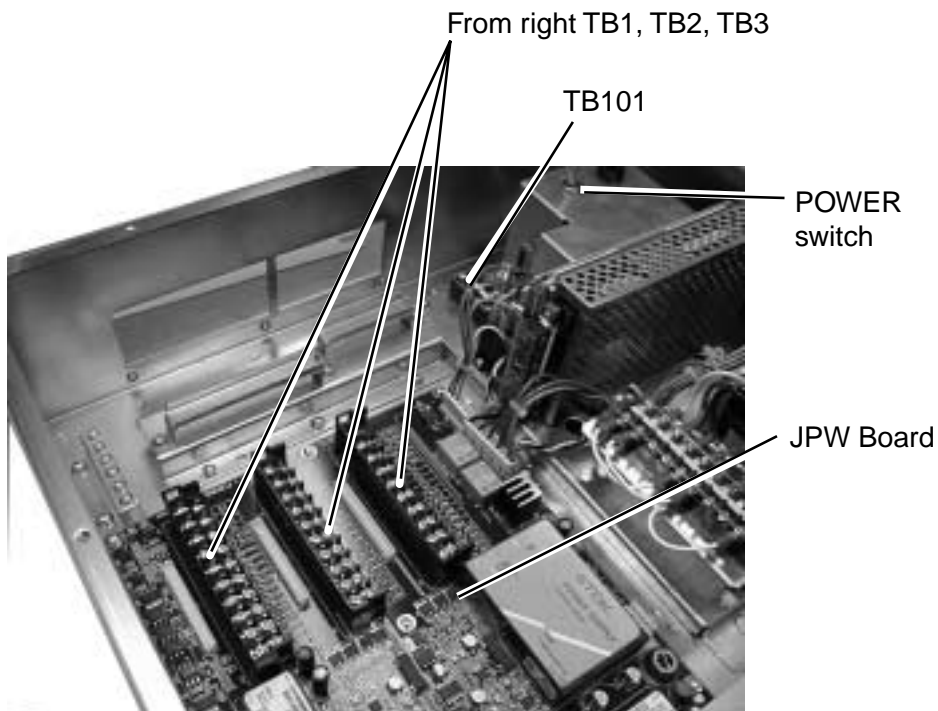
Parts Location

Display unit DS-800



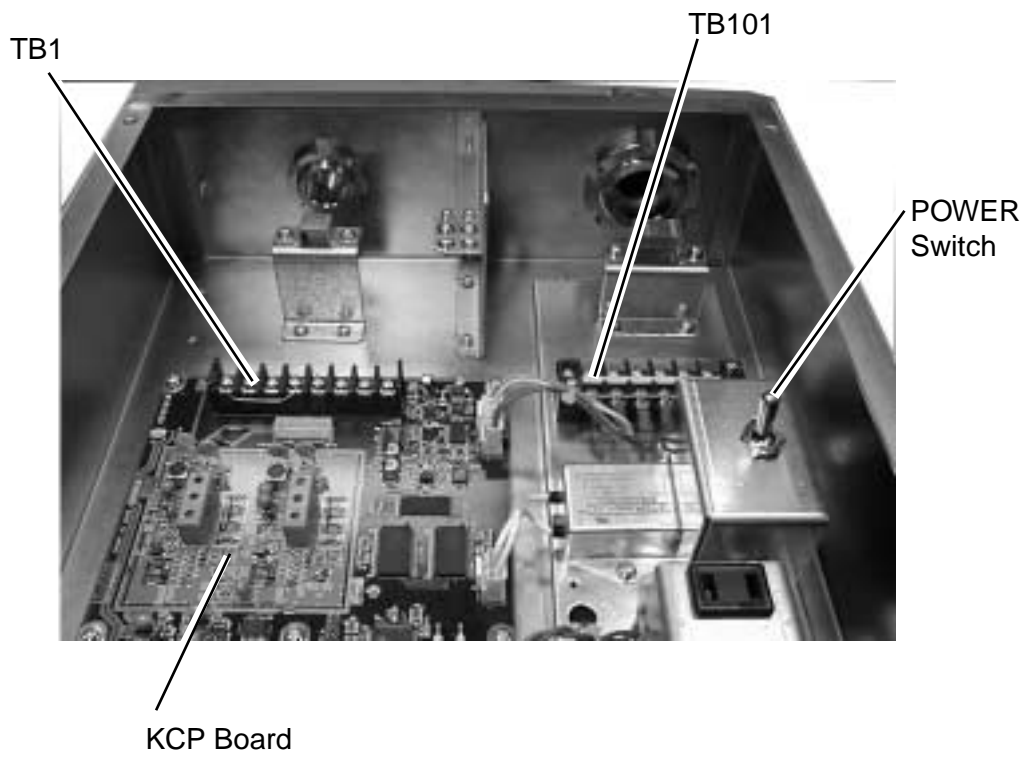
ICP Board 65P6000, parts side

Distribution box DS-801



Distribution Box DS-801, inside view

Transceiver unit DS-810



Transceiver Unit DS-810, inside view

Parts List

This equipment contains complex modules in which fault diagnosis and repair down to component level are not practicable (IMO A.694(17)/8.3.1). Only some discrete components are used. FURUNO ELECTRIC CO., LTD. believes identifying these components is of no use for shipborne maintenance; therefore, they are not listed in this manual. Major modules can be located on parts location photos on the preceding page.

ELECTRICAL PARTS LIST

2000-01

Model	DS-80	
Unit	DISPLAY UNIT DS-800	
Ref.Dwg.	C3441-K01-C	
Block.No.		

SYMBOL	TYPE	CODE No.	REMARKS	SHIPPABLE ASSEMBLY
PRINTED CIRCUIT BOARD				
	65P6000, ICP	000-142-649		X
CABLE w/CONNECTOR				
	MJ-A7SPF-005-020	000-139-384	20S0251	
	MJ-A6SPF-003-020	000-142-658	65S1231	
	MJ-PH 6P	000-142-659	65S1227	
	MJ-PH 7P	000-142-660	65S1228	

ELECTRICAL PARTS LIST

2000-01

Model	DS-80	
Unit	TRANSCEIVER DS-810	
Ref.Dwg.	C7247-K02-A	
Block.No.		

SYMBOL	TYPE	CODE No.	REMARKS	SHIPPABLE ASSEMBLY
PRINTED CIRCUIT BOARD				
	65P6020,KCP	002-889-570		X
POWER SUPPLY ASSEMBLY				
	DS-810	002-889-530		X
SWITCH				
S1	S-331	000-474-214		
VARISTOR				
CR1	ERZV-20D471	000-136-287		
TRANSFORMER				
T1	65S1218	000-142-647		
TERMINAL BOARD				
TB101	F1003-20A-5725-6P	000-137-321		
NOISE FILTER				
XF1	ZGB2202-01U	000-132-968		
CABLE w/CONNECTOR				
	66-045(2P)	002-889-550	VH CONNECTOR	
	65-046(6P)	002-889-560	VH CONNECTOR	

ELECTRICAL PARTS LIST

2000-01

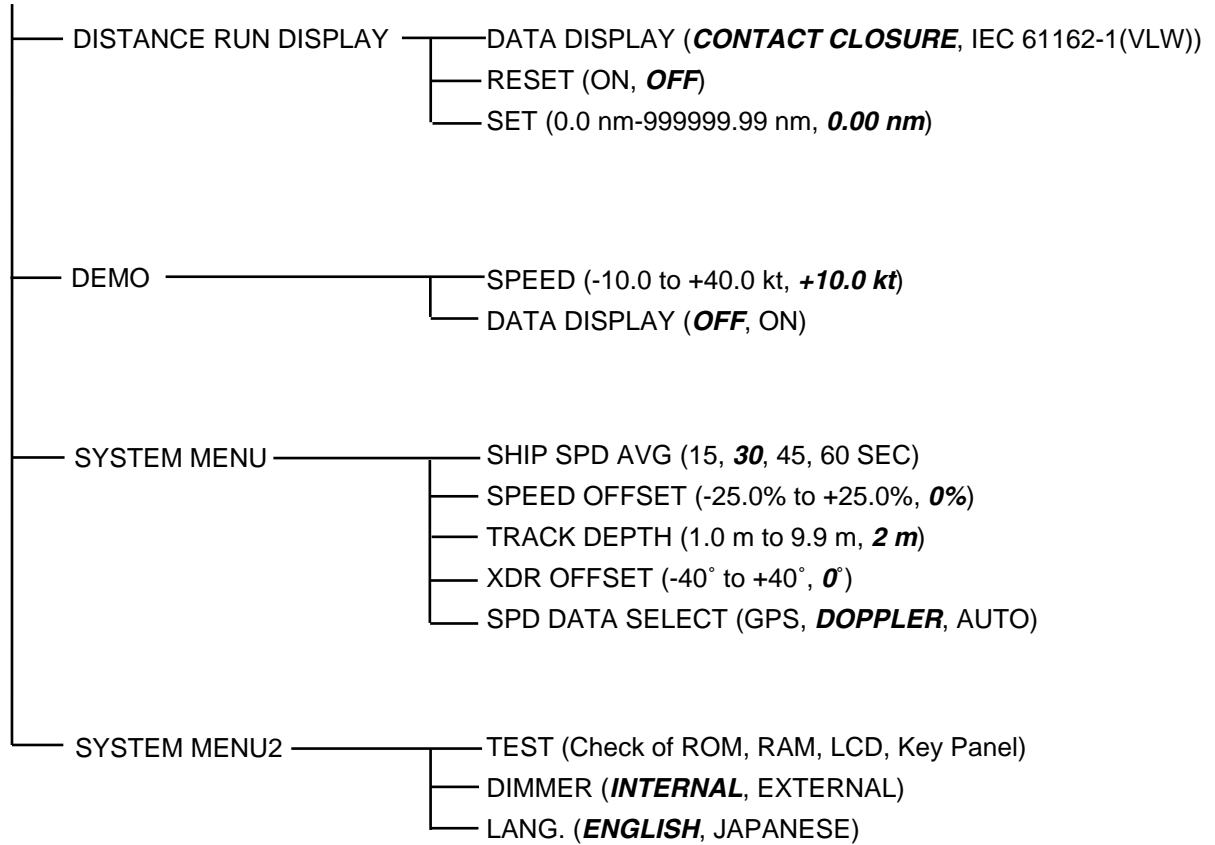
Model	DS-80	
Unit	DISTRIBUTOR DS-801	
Ref.Dwg.	C7247-K03-A	
Block No.		

SYMBOL	TYPE	CODE No.	REMARKS	SHIPPABLE ASSEMBLY
PRINTED CIRCUIT BOARD				
	65P6010,JPW	002-889-490		X
ASSEMBLY				
	DS-801	002-889-470	POWER SUPPLY	X
POWER SUPPLY ASSEMBLY				
	DS-801-100	002-889-410		X
	DS-801-110	002-889-420		X
	DS-801-115	002-889-430		X
	DS-801-200	002-889-440		X
	DS-801-220	002-889-450		X
	DS-801-230	002-889-460		X
SWITCH				
S1	S-331	000-474-214		
VARISTOR				
CR1	ERZV-20D471	000-136-287		
TERMINAL BOARD				
TB101	F1003-20A-2P	000-142-631		
FUSE HOLDER				
F1	FH-001AF	000-138-909		
POWER SUPPLY				
PD1	FAW-24-2R1	000-142-633		
NOISE FILTER				
XF1	ZAC2210-11	000-120-155		

MENU OVERVIEW

Default settings in bold italic.

[MENU] key



INDEX

C

Contrast	6
Control description	5

D

Demonstration mode	9
Diagnostics	14
Digital indicator	12
Digital interface	16
Digital display	12
DIM key	6
Dimmer	6
Distance run	
adjusting	9
display method	8
resetting to zero	8

F

Fuse replacement	13
------------------------	----

M

Maintenance	13
MENU key	7
Menu operation	7
Menu tree	24

P

Parts list	20
Parts location	18
POWER switch	5

S

Ship's speed	
averaging time	9
offset	10
source	11
System configuration	2
System menu	9
System menu2	11

T

Transducer	
maintenance	13
position offset	10
Troubleshooting	14

U

UNIT key	7
----------------	---

W

Water tracking depth	10
----------------------------	----

FURUNO®

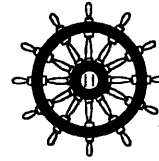
FURUNO ELECTRIC CO., LTD.

9-52 Ashihara-Cho, Nishinomiya City, 662-8580, Hyogo, Japan

Tel: +81 798-65-2111 Fax: +81 798-65-4200

Pub NO. DOC-492

Declaration of conformity



0735

We **FURUNO ELECTRIC CO., LTD.**

(Manufacturer)

9-52 Ashihara-Cho, Nishinomiya City, 662-8580, Hyogo, Japan

(Address)

hereby declare under our sole responsibility that the product

Doppler speed log model DS-80 consisting of Display unit DS-800, Distribution box DS-801, Transducer unit DS-810/DS-820; optional units: Terminal box DS-802, Digital display DS-830, Remote distance indicator DS-840, Junction box CI-630, Dimmer box MF-22L, Transducer seachest DS-850/DS-784/DS-783/DS-781/DS-786/DS-782

(Model names, type numbers)

to which this declaration relates conforms to the following standard(s) or normative document(s)

IMO Resolution MSC.96(72)/A.824(19)	EN 61023: 2000 (IEC 61023 2nd edition:1999-07)
IMO Resolution A.694(17)	EN 60945: 1997 (IEC 60945 3rd edition: 1996-11)
	EN 61162-1: 2001 (IEC 61162-1 2nd edition: 2000-07)

(title and/or number and date of issue of the standard(s) or other normative document(s))

For assessment, see EC – type approval certificate Nr. 6299/063/02 of 05 July 2002 issued by Federal Maritime and Hydrographic Agency, The Federal Republic of Germany

This declaration is issued according to the provisions of European Council Directive 96/98/EC on marine equipment modified by Commission Directive 98/85/EC and further amended by the Commission Directive 2001/53/EC.

On behalf of Furuno Electric Co., Ltd.

Hiroaki Komatsu
Manager,
International Rules and Regulations

Nishinomiya City, Japan
September 3, 2002

(Place and date of issue)

(name and signature or equivalent marking of authorized person)

Free Manuals Download Website

<http://myh66.com>

<http://usermanuals.us>

<http://www.somanuals.com>

<http://www.4manuals.cc>

<http://www.manual-lib.com>

<http://www.404manual.com>

<http://www.luxmanual.com>

<http://aubethermostatmanual.com>

Golf course search by state

<http://golfingnear.com>

Email search by domain

<http://emailbydomain.com>

Auto manuals search

<http://auto.somanuals.com>

TV manuals search

<http://tv.somanuals.com>