

ENCOUNTER SPEAKERS

EN-FR4020, EN-FR52520, EN-FR6520, EN-FR6530

EN-FR4620, EN-FR5720, EN-FR6920, EN-FR6930

Speaker Parameters

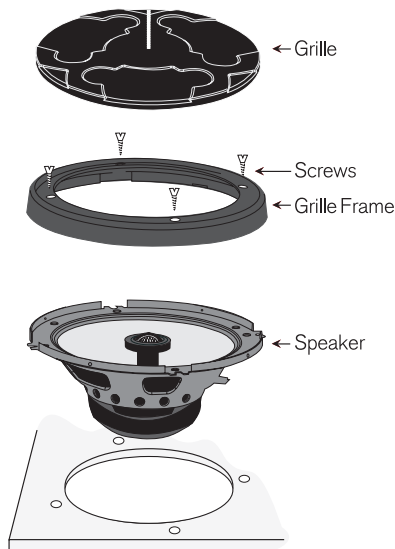
	EN-FR4020	EN-FR52520	EN-FR6520	EN-FR6530
Max Power Rating	120 Watts	140 Watts	180 Watts	200 Watts
RMS Power Rating	35 Watts	40 Watts	50 Watts	55 Watts
Frequency Response	75Hz - 20kHz	72Hz - 21kHz	63Hz - 21kHz	63Hz - 22kHz
Impedance	4 Ohms	4 Ohms	4 Ohms	4 Ohms
Sensitivity	86 dB	87 dB	87 dB	87 dB
Mounting Depth	47mm [1-5/8"]	50mm [2"]	60mm [2-3/8"]	60mm [2-3/8"]
Mounting Diameter	93mm [3-11/16"]	120mm [4-3/4"]	130mm [5-1/8"]	130mm [5-1/8"]

	EN-FR4620	EN-FR5720	EN-FR6920	EN-FR6930
Max Power Rating	120 Watts	180 Watts	240 Watts	260 Watts
RMS Power Rating	35 Watts	50 Watts	70 Watts	75 Watts
Frequency Response	90Hz - 20kHz	52Hz - 21kHz	46Hz - 22kHz	47Hz - 22kHz
Impedance	4 Ohms	4 Ohms	4 Ohms	4 Ohms
Sensitivity	86 dB	86 dB	88 dB	88 dB
Mounting Depth	49mm [1-15/16"]	59mm [2-5/16"]	76mm [2-31/32"]	76mm [2-31/32"]
Mounting Diameter	140mm [5-1/2"] x 87mm [3- 7/16"]	180mm [7-1/16"] x 128mm [5-1/16"]	233mm [9-3/16"] x 153mm [6"]	233mm [9-3/16"] x 153mm [6"]

Installation Guidelines

- 1) Ensure there is adequate clearance and depth for the speaker to be mounted
- 2) Use the supplied template to mark out and cut the correct diameter hole
- 3) Drill four holes for the mounting screws
- 4) Separate the grille from the frame
- 5) Insert the speaker and grille frame and affix with the screws provided
- 6) Complete installation by replacing the grille into the grille frame

(see diagram on reverse side)



Warning: Do not drill mounting holes with speaker in place as this could allow drill shavings to damage the voice coil and void your warranty.

Ensure the audio system is turned off before making any connections to the amplifier, speakers or source unit. Failure to do so could result in permanent damage to the audio system.

When wiring the speakers ensure that the wire is protected from sharp objects and always use rubber grommets when wiring through metal panels. Ensure all terminals and connections are protected from the vehicle chassis and from each other as failure to do so could result in permanent damage to the audio system.

When connecting the source unit/ amplifier and speakers ensure you connect the positive and negative output wire from the source unit/ amplifier to the corresponding speaker terminals. This will ensure the audio system will be in phase.

For further product and installation information please visit www.fusionelectronics.com

Para obtener más información sobre los productos o su instalación, visite www.fusionelectronics.com

Weitere Informationen zum Produkt und zur Installation finden Sie auf folgender Website: www.fusionelectronics.com

Ga naar www.fusionelectronics.com voor meer product- en montage-informatie

Pour plus de renseignements sur les produits et l'installation, veuillez consulter www.fusionelectronics.com

Per ulteriori informazioni su prodotto e installazione, potete visitare www.fusionelectronics.com

За дополнительной информацией о продукции и установке обращайтесь на www.fusionelectronics.com

RECORD YOUR PURCHASE DETAILS HERE:

MODEL NUMBER _____ DATE OF PURCHASE _____

AFFIX RECEIPT HERE

WARNING! Audio Systems can produce sound levels over 135dB. Continuous exposure to sound pressure levels over 100dB may cause permanent hearing loss! Please watch for emergency vehicles as warning signals may not be heard. USE COMMON SENSE!

V 4.0

WWW.FUSIONELECTRONICS.COM

FUSION®

Free Manuals Download Website

<http://myh66.com>

<http://usermanuals.us>

<http://www.somanuals.com>

<http://www.4manuals.cc>

<http://www.manual-lib.com>

<http://www.404manual.com>

<http://www.luxmanual.com>

<http://aubethermostatmanual.com>

Golf course search by state

<http://golfingnear.com>

Email search by domain

<http://emailbydomain.com>

Auto manuals search

<http://auto.somanuals.com>

TV manuals search

<http://tv.somanuals.com>