

MS-BX3020

2 WAY FULL RANGE CABIN SPEAKERS



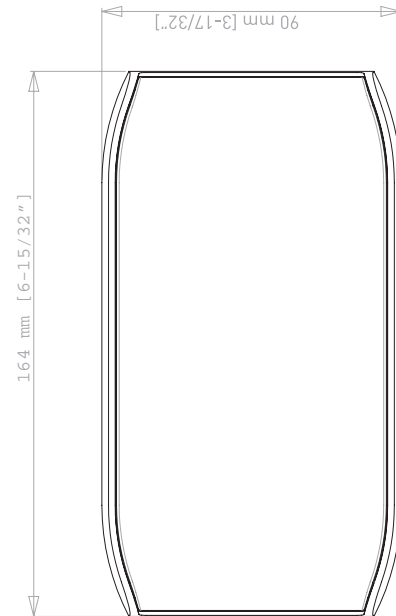
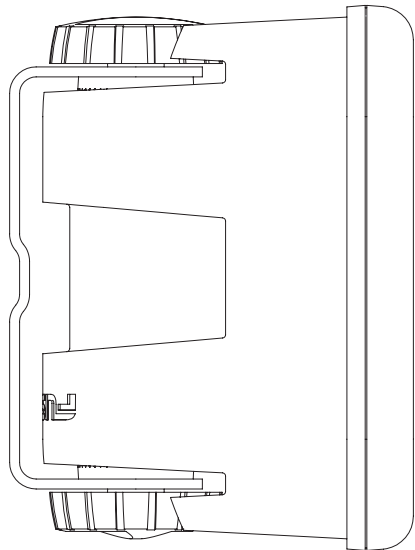
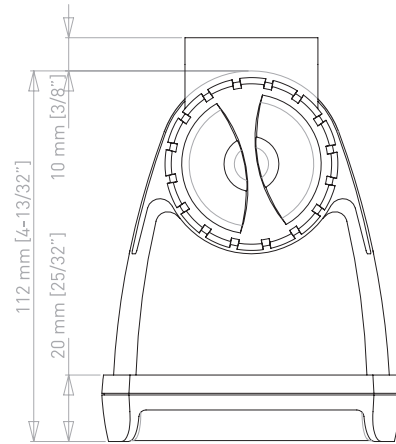
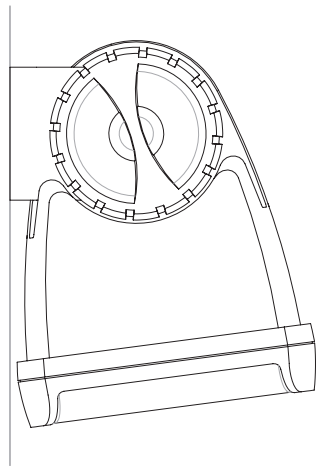
FUSION Electronics New Zealand 09 369 2900
FUSION Electronics Australia 1300 736 012
FUSION Electronics Europe +31 76 5723 632
FUSION Electronics USA 623 580 9000
FUSION Electronics Pacific +64 9 369 2900

WWW.FUSIONELECTRONICS.COM

FUSION[®]

FUSION[®]

WWW.FUSIONELECTRONICS.COM



CONTENTS OF THE BOX:

- 2 x Speakers
- 2 x Fully tinned speaker wires
- 2 x Mounting Brackets
- 4 x Mounting knobs and washers
- 4 x Stainless Steel Mounting Screws
- Manual
- Warranty Card

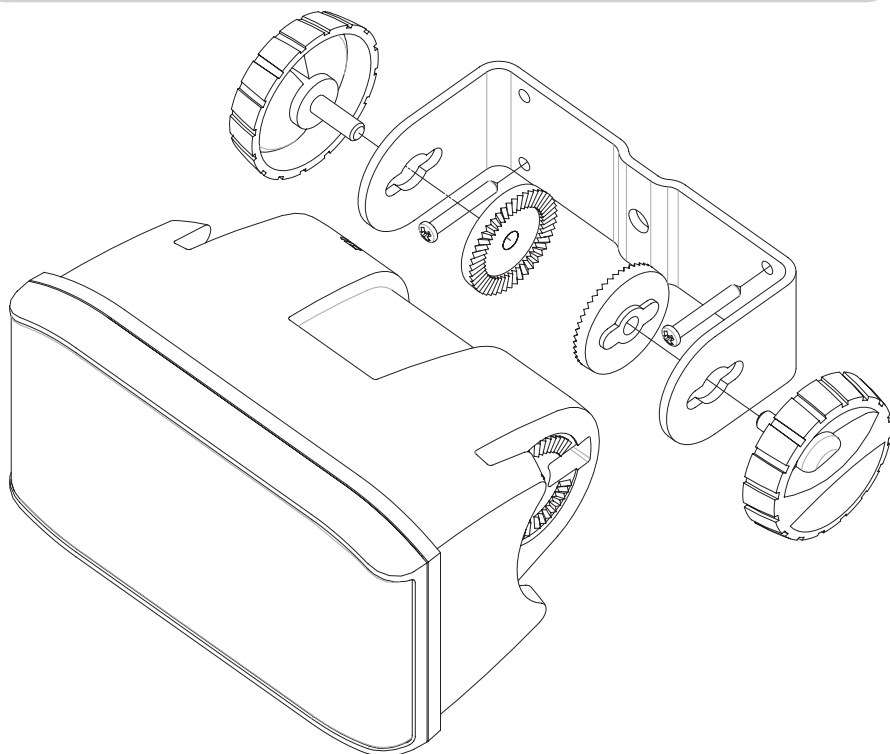
SPECIFICATIONS

Woofer Size:	3"	
Cone Material:	Waterproof paper	
Tweeter Type:	Fabric Dome	
Box Type:	Sealed, ABS	
Peak Power (watts):	100	
Efficiency (1W/1M):	85 db	
Frequency Response:	200 Hz – 20 kHz	
Impedance:	4 ohms	
DIMENSIONS	Length 164mm	6-15/32"
	Width 90mm	3-17/32"
	Depth 112mm	4-13/32"

INSTALLATION GUIDE

1. Check mounting position for adequate space (see caution)
2. Place the mounting bracket in position, then mark and drill mounting holes.
3. Place the mounting bracket and affix with supplied screws.
4. Connect the wires from the source unit to the cabin speaker ensuring the correct polarity is observed.
5. Attach the cabin speaker to the bracket using the washers and mounting knobs supplied.
6. Adjust the angle of the speaker to the preferred position before tightening the mounting knobs.

CAUTION: For speaker mounting restrictions related to Magnetic interference, please refer to the manufacturers recommendations for any navigational equipment.



INSTALLATION TIPS

Any speaker will only perform to its best capabilities, when correctly placed in the listening area. FUSION Engineers recognise that unlike a home or motor vehicle installation, there are an extremely wide range of marine environments where speakers may be placed.

FUSION MS-BX3020 full range marine speakers are optimised and tuned to work perfectly with the MS-AB1060R Active Subwoofer with a 2 channel speaker amplifier which not only powers the speakers but also adds impressive low end to the audio experience, a little thought and care with placement of the speakers will result in better sound.

- High frequencies are directional. Placing the speakers low down in the boat will lose some of its information.
- Speakers should be placed to simulate a "sound stage", by being placed where you are able to hear both speakers in a stereo situation.

TROUBLESHOOTING

Before you contact your FUSION dealer or service centre, FUSION requires that you do some simple troubleshooting to help diagnose or resolve the problem.

PROBLEM	SOLUTION
No Sound	Check all connections from the source unit amplifier to the speaker terminals are connected correctly.
System lacks in bass	Check the connections from the source unit/amplifier to the speaker. Check Polarity.
System lacks in high frequencies:	Check Polarity Check the bass / treble control settings on the source unit.
Distorted sound	Check all wiring Check that it is not the surrounding panels of the craft rattling. Check connections from the source to the speaker.

Free Manuals Download Website

<http://myh66.com>

<http://usermanuals.us>

<http://www.somanuals.com>

<http://www.4manuals.cc>

<http://www.manual-lib.com>

<http://www.404manual.com>

<http://www.luxmanual.com>

<http://aubethermostatmanual.com>

Golf course search by state

<http://golfingnear.com>

Email search by domain

<http://emailbydomain.com>

Auto manuals search

<http://auto.somanuals.com>

TV manuals search

<http://tv.somanuals.com>