



User / Installation Manual

# Marine Wired Remote

MS-WR80

Specifications and design are subject to change without notice.

PUBLISHED BY FUSION ELECTRONICS LIMITED:  
© Copyright 2010 by FUSION Electronics Limited.  
All rights reserved. Specifications and design are  
subject to change without notice. v1.0



YOU CAN HELP PROTECT THE ENVIRONMENT!  
Please remember to respect the local regulations:  
Hand in the non-working electrical equipment  
to an appropriate waste disposal center.

Compatible with FUSION Electronics MS-CD60 and MS-CD80 Marine CD/MP3 Receivers only.

## Button Description



### 1. POWER.

Press to power on/off

### 2. MODE/ SUB.W BUTTON.

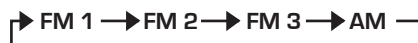
Press the Mode button to cycle through the source modes. Only active modes will be displayed. Eg. If there is no CD loaded CD mode will not be selectable. Press and hold the MODE/SUB.W button to activate the Subwoofer line out and repeat to deactivate.

### 3. MUTE.

Press to mute audio.

### 4. BAND/LOUD/ENTER.

Press the BAND button to cycle through and select the desired band



Press and hold the LOUD button to reinforce the Bass output, press again to cancel.  
Press the ENT button in MP3 Mode to confirm selection.

NB: For more detailed information on functions please consult your MS-CD60 or MS-CD80 Manual.

### RECORD YOUR PRODUCT DETAILS HERE:

Model Number .....

Date Of Purchase .....

Affix Receipt Here

### 5. TUN/TRK

In Radio mode - Button 5 is used to select stations.  
Press to activate Automatic Seek up or down the frequency spectrum.  
Press and hold to activate manual search. Manual will be displayed, if neither button has been pressed for several seconds the unit will return to seek tuning mode.  
In CD/iPod/USB mode - Press to FAST FORWARD or REWIND tracks.

### 6. VOLUME

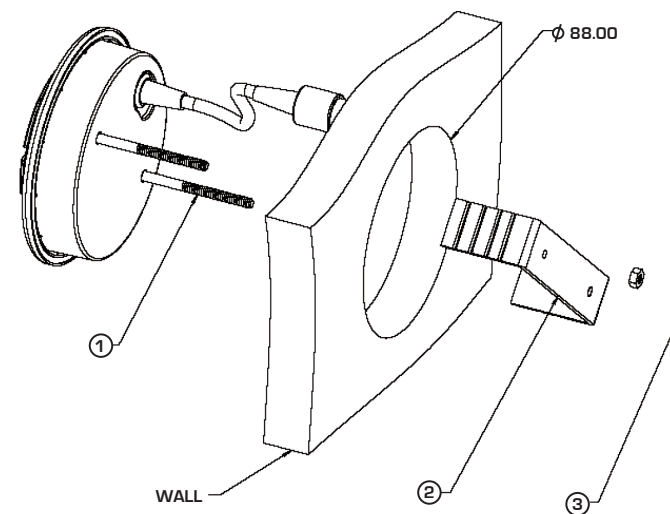
Increase/decrease volume level button.

### 7. AS/PS / iPod / MENU

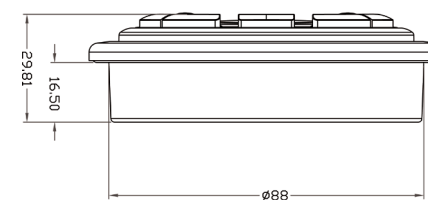
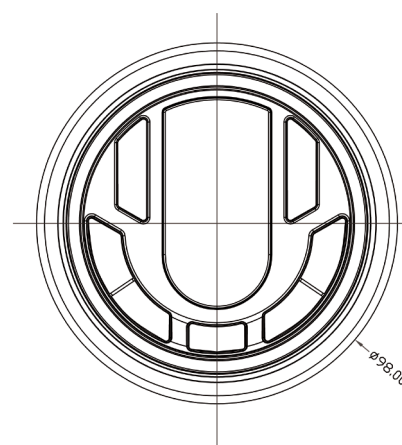
In Radio mode - Press to scan for available stations.  
Press while in MP3 Mode to display the directories/folders and navigate via the Vol up/down button (6)  
In iPod mode - Press to display the current directory in the iPod for selection.

### 8. LCD DISPLAY

## Installation



1. M4 X 50MM MOUNTING SCREWS
2. MOUNTING BRACKET
3. M4 NUTS X 2



1. CUT THE APPROPRIATE SIZE MOUNTING HOLE IN THE PANEL.
2. INSERT THE BASE INTO THE MOUNTING HOLE AND ATTACH THE MOUNTING BRACKET.
3. PLACE THE REMOTE IN THE BASE AND TURN CLOCKWISE TO LOCK IN PLACE.

## Free Manuals Download Website

<http://myh66.com>

<http://usermanuals.us>

<http://www.somanuals.com>

<http://www.4manuals.cc>

<http://www.manual-lib.com>

<http://www.404manual.com>

<http://www.luxmanual.com>

<http://aubethermostatmanual.com>

Golf course search by state

<http://golfingnear.com>

Email search by domain

<http://emailbydomain.com>

Auto manuals search

<http://auto.somanuals.com>

TV manuals search

<http://tv.somanuals.com>