

**MS-BT100**  
**MARINE BLUETOOTH MODULE**  
**USER MANUAL**



**P/N: PAK001029B**

## WARNINGS AND CAUTIONS

Do not attempt to open the unit's chassis. There are no user-serviceable parts inside. Take care when handling.

## REGISTER YOUR PRODUCT ONLINE:

For your own peace of mind, register your product purchase online at

**[www.fusionelectronics.com](http://www.fusionelectronics.com)**

We'll keep you up to date with any news related to your product, any software upgrades or new accessories to help you get the most from your product.

This product is backed by a 1 Year Limited Consumer Warranty and by registering your product you can be assured that if the unexpected occurs we'll have your details and be ready to help.

RECORD YOUR PRODUCT DETAILS HERE:

SERIAL NUMBER: \_\_\_\_\_

DATE OF PURCHASE: \_\_\_\_\_

AFFIX RECEIPT HERE:

## OVERVIEW

The MS-BT100 Bluetooth module is designed to provide Bluetooth audio streaming from a compatible smartphone or media player directly to your FUSION marine stereo.

The MS-BT100 supports audio only and is connected to the auxiliary input audio source on your stereo. Whether you have an iPhone, Android or Windows smartphone you can enjoy your favourite tracks while you're onboard your vessel through FUSION's superior marine entertainment stereos and speakers.

A 1.5m [5 Ft] long cable is provided to allow an optimal mounting position for the best range possible.



## OPERATION

After installation (see overleaf for installation instructions), the MS-BT100 will be powered on and off when the marine head unit is powered on and off. The MS-BT100 is a Bluetooth device, and before you can stream music you need to “pair” with it.

### BLUETOOTH PAIRING

To pair with the MS-BT100 you first need to “discover” it from your streaming device.


Please refer to your smartphone or media player user manual to start the Bluetooth discovery mode.

The name of the MS-BT100 in discovery mode is “FUSION MS-BT100”. Please select this device to connect.


The MS-BT100 does not require a PIN number to pair.

If the MS-BT100 is currently connected to a smartphone or media device, it cannot be discovered by any other device.

### CONNECTING TO A DIFFERENT BLUETOOTH STREAMING DEVICE



To connect to a different Bluetooth streaming device, you will need to disconnect from your current device. Please refer to your smartphone or media player user manual on how to do this.



When the MS-BT100 is powered off and on it always enters discovery mode.

### PLAYING MUSIC

After your smartphone or media player is paired, you can use your music player application on this device to select and play music over Bluetooth.

Please ensure that your marine head unit source selection is set to Aux In. The play, pause, next track, previous track controls on the marine head unit do not control the MS-BT100. All music selection and playback is controlled from your smartphone or media player.

### RECEIVING PHONE CALLS

The exact operation is dependent on your smartphone. On most Smartphones if you are streaming music and you receive a phone call, the music will pause and the ring tone will be played through your smartphone speaker. If you answer the phone, the call will not be played through the marine head unit. Once the call is completed, the music will automatically start playing again.

## TECHNICAL SPECIFICATIONS

Cable length:	1.5m (5 Ft)
Water Resistant Design:	IP65 enclosure
Bluetooth:	A2DP V3.0 Class 2
Operating range:	≥10m (33ft)
Dimensions:	59mm (h) x 42mm (w) x 15mm (d)
Operating Voltage:	10 – 16V DC
Operating Current:	20mA
Compliances:	BQB B020331
	FCC
	CE, C-Tick

## TROUBLESHOOTING

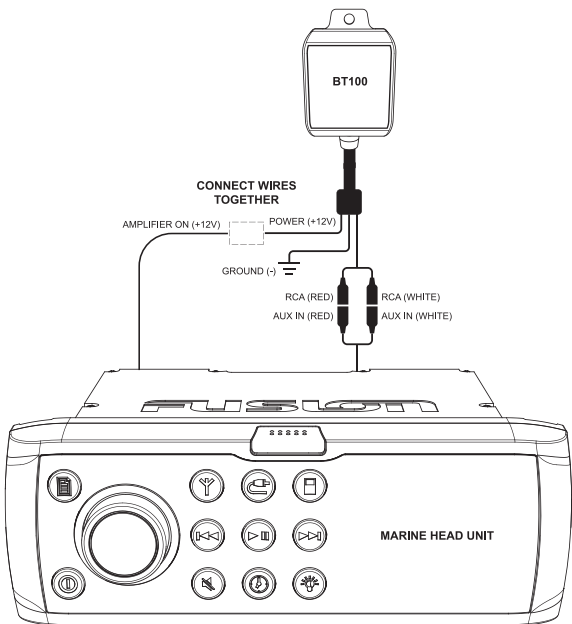
Problem	Solution
When I play music on my smartphone there is no audio output through the main head unit	<ul style="list-style-type: none"><li>• Ensure that you have paired with the MS-BT100 (please refer to your smartphone or media player user manual).</li><li>• Ensure that your smartphone's music player is configured to play music over Bluetooth.</li><li>• Ensure that the marine head unit is powered on and the auxiliary input source is selected.</li><li>• Ensure that all wires and connectors are connected as per the installation instructions.</li></ul>
When I search for Bluetooth devices I am unable to find the FUSION MS-BT100 on my smartphone	<ul style="list-style-type: none"><li>• Ensure that the marine head unit is powered on.</li><li>• Ensure that no other Bluetooth audio streaming devices are currently paired with the MS-BT100. If you are unsure if this is the case, power the head unit off, then on again.</li><li>• Ensure that all wires and connectors are connected as per the installation instructions.</li></ul>



V2.0

## INSTALLATION

### INSTALLATION WARNING



- Ensure the marine vessels +12V lead is removed from the battery before any equipment is connected
- Investigate the marine vessels fuel tanks and electrical wiring locations before you begin installation
- Ensure all wiring is protected to avoid damage





FUSION recommends that the MS-BT100 is mounted in an elevated position as far away from metal work as possible. This will ensure maximum range for Bluetooth audio streaming. Any barrier between the MS-BT100 and your streaming device will reduce the range.

**The connections on the MS-BT100 are:**



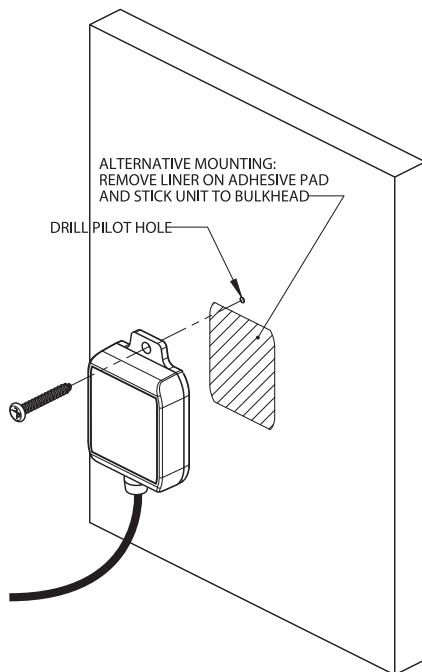
Description of MS-BT100 Connection	Function	Installation Instruction
GROUND (-) wire Black	Ground connection for MS-BT100	Connect the "Ground" wire first. This wire should be connected to the same ground connection as the marine head unit. This wire is usually Black.
POWER +12V wire Red	Power connection for MS-BT100	Connect to the "Amplifier On" wire on the back of your marine head unit. This wire is usually Blue.*
White RCA plug	Left Audio Channel	Connect to the White Aux In RCA socket on your marine head unit
Red RCA plug	Right Audio Channel	Connect to the Red Aux In RCA socket on your marine head unit

\* FUSION recommends that the MS-BT100 is connected to the "Amplifier On" wire on the back of the marine head unit as this ensures that the MS-BT100 is switched off when the head unit is off. FUSION marine head units also provide electrical protection to the MS-BT100 when connected this way. If the MS-BT100 is connected directly to a 12V power supply, then a power switch and a 2 amp fuse must be installed between the power supply and MS-BT100.

The MS-BT100 can be secured by either using the adhesive backing tape or by using a 6 gauge, pan head, self tapping, non-corrosive screw.

Please ensure that the mounting surface is flat clean and dry prior to applying the adhesive backing tape. The surface can be cleaned with an alcohol swab.

When mounting using the screw hole, ensure that the surface is flat and tightening the screw does not distort the case.







## Free Manuals Download Website

<http://myh66.com>

<http://usermanuals.us>

<http://www.somanuals.com>

<http://www.4manuals.cc>

<http://www.manual-lib.com>

<http://www.404manual.com>

<http://www.luxmanual.com>

<http://aubethermostatmanual.com>

Golf course search by state

<http://golfingnear.com>

Email search by domain

<http://emailbydomain.com>

Auto manuals search

<http://auto.somanuals.com>

TV manuals search

<http://tv.somanuals.com>