

# KG 291: Gas cooktop



## Gas cooktop

200 Series, Stainless Steel Control Panel

Width: 36" (90 cm)

KG 291-220 CA

Natural gas, Stainless Steel Control Panel

KG 291-120 CA

Propane gas, Stainless Steel Control Panel

KG 291-110 CA

Propane gas, Aluminum Control Panel

KG 291-210 CA

Natural gas, Aluminum Control Panel

## Installation

### Appliance dimensions (D x W x H) in inches (mm)

20 <sup>1</sup>/<sub>16</sub>" (510) x 36" (914) x 5 <sup>1</sup>/<sub>8</sub>" (130)

### Cut-out dimensions (D x W) in inches (mm)

19 <sup>5</sup>/<sub>16</sub>" (490) x 34 <sup>13</sup>/<sub>16</sub>" (885)

### Total rating

58,000 BTU (120 V / 60 Hz)

### Total Amps

1 Amp

**Planning notes:** The appliance is not operable without electrical connection.

## All-gas cooktop for natural or bottled gas

Brushed stainless steel cooktop with shot-blasted edge

Integrated control panel with cooking zone and power marking

Five brass gas burners:

- Two two-ring super-high output burners (150–4000 W) 500–13,600 BTU, suitable for pots up to max.  $\varnothing$  11"
- Two two-ring standard burners (150–2000 W) 500–6,800 BTU, suitable for pots up to max.  $\varnothing$  9 <sup>1</sup>/<sub>2</sub>"
- One three-ring super-high output burner (300–5000 W) 1,000–17,000 BTU, suitable for pots up to max.  $\varnothing$  12 <sup>5</sup>/<sub>8</sub>"

High useful benefit due to ideal burner configuration, electronics and a broad output spectrum

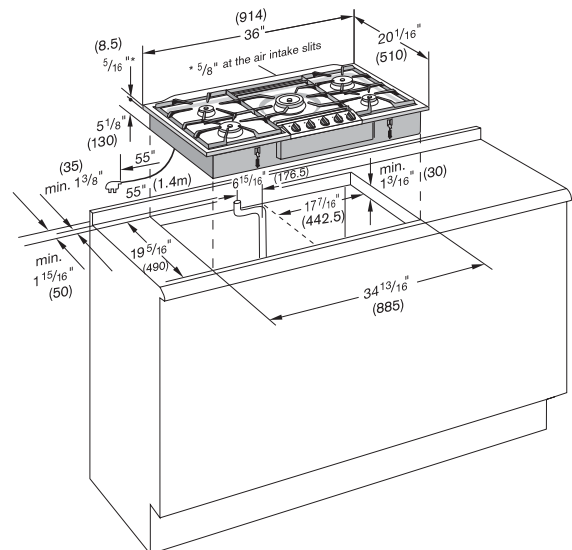
Automatic quick ignition

Electronic flame recognition (ionization principle) with automatic re-ignition

Three-part pan support with flat, continuous pot surface

Operation control indicator lights

Gas valve with fine control



Numbers indicated inside parenthesis ( ) = mm

©2008 BSH Home Appliances Corporation. All rights reserved.

Warranty: "BSH reserves the absolute and unrestricted right to change product materials and specifications, at any time, without notice. Consult the product's installation instructions for final dimensional data and other details. Applicable product warranty can be found in accompanying product literature (or you may contact your account manager for further details)."

Phone: 877.4GAGGENAU

Fax: 714.901.5360

www.gaggenau-usa.com

info@gaggenau-usa.com

# GAGGENAU

## Free Manuals Download Website

<http://myh66.com>

<http://usermanuals.us>

<http://www.somanuals.com>

<http://www.4manuals.cc>

<http://www.manual-lib.com>

<http://www.404manual.com>

<http://www.luxmanual.com>

<http://aubethermostatmanual.com>

Golf course search by state

<http://golfingnear.com>

Email search by domain

<http://emailbydomain.com>

Auto manuals search

<http://auto.somanuals.com>

TV manuals search

<http://tv.somanuals.com>