

**Gaggenau**

USE AND CARE MANUAL

GUIDE D'UTILISATION ET D'ENTRETIEN

MANUAL DE USO Y CUIDADO

# VG 295 CA

Gas cooktop

Table de cuisson gaz

Encimera a gas

<b>Table of Contents</b>	<b>3</b>
<b>Table de Matières</b>	<b>16</b>
<b>Contenido</b>	<b>31</b>

---

## Table of Contents

---

<b>IMPORTANT SAFETY INSTRUCTIONS</b>	<b>4</b>
Fire Safety	5
Gas Safety	5
Burn Prevention	6
Child Safety	6
Cleaning Safety	7
Cookware Safety	7
Proper Installation and Maintenance	7
<b>Your new device</b>	<b>8</b>
Gas stovetop	8
Control knob	8
Special accessories	8
Setting up burners	9
Operating principle	9
<b>Adjusting stovetop</b>	<b>10</b>
Turning on	10
Indicator light	10
Electronic flame monitoring and automatic re-ignition	10
Turning off	10
<b>Settings table and tips</b>	<b>11</b>
Tips for cooking and roasting	11
Wok tips	11
<b>Information on cookware</b>	<b>11</b>
Appropriate cooking vessels	11
Information for use	11
<b>Care and cleaning</b>	<b>12</b>
Cleaning appliance	12
Cleaning electrode	13
Burned-on grime	13
Discoloration of burners	13
Do not use these cleaning agents	14
<b>Troubleshooting</b>	<b>14</b>
<b>Customer Service</b>	<b>15</b>
<b>Packaging and old appliances</b>	<b>15</b>
Environmentally-friendly disposal	16

Additional information on products, accessories, replacement parts and services can be found at [www.gaggenau.com](http://www.gaggenau.com) and in the online shop [www.gaggenau-eshop.com](http://www.gaggenau-eshop.com)



# IMPORTANT SAFETY INSTRUCTIONS

READ AND SAVE THESE INSTRUCTIONS

 **WARNING:**

If the information in this manual is not followed exactly, a fire or explosion may result causing property damage, personal injury or death.

Do not store or use combustible materials, gasoline or other flammable vapors and liquids in the vicinity of this or any other appliance.

**WHAT TO DO IF YOU SMELL GAS:**

- Do not try to light any appliance.
- Do not touch any electrical switch.
- Do not use any phone in your building.
- Immediately call your gas supplier from a neighbor's phone. Follow the gas supplier's instructions.
- If you cannot reach your gas supplier, call fire department.

Installation and service must be performed by a qualified installer, authorized service agency or the gas supplier.



# IMPORTANT SAFETY INSTRUCTIONS

READ AND SAVE THESE INSTRUCTIONS

## Fire Safety

Save these instructions.

Set the burner control so that the flame does not extend beyond the bottom of the pan.

Do not allow aluminum foil, plastic, paper or cloth to come in contact with a hot burner or grate. Do not allow pans to boil dry.

If the cooktop is near a window, forced air vent or fan, be certain that flammable materials such as window coverings do not blow over or near the burners or elements. They could catch on fire.

Always have a working smoke detector near the kitchen.

Never leave the cooktop unattended when in use. Boilovers cause smoking and greasy spillovers may ignite.



**WARNING: TO REDUCE THE RISK OF A GREASE FIRE:**

- a) Never leave surface units unattended at high settings. Boilovers cause smoking and greasy spillovers that may ignite. Heat oils slowly on low or medium settings.
- b) Always turn hood ON when cooking at high heat or when flambeing food (i.e. Crepes Suzette, Cherries Jubilee, Peppercorn Beef Flambé).
- c) Clean ventilating fans frequently. Grease should not be allowed to accumulate on fan or filter.
- d) Use proper pan size. Always use cookware appropriate for the size of the surface element.

In the event that personal clothing or hair catches fire, drop and roll immediately to extinguish flames.

Smother flames from food fires other than grease fires with baking soda. Never use water on cooking fires.

Take care that drafts like those from fans or forced air vents do not push the flames so that they extend beyond the edges of the pan.

Have an appropriate fire extinguisher available, nearby, highly visible and easily accessible near the appliance.



**WARNING: TO REDUCE THE RISK OF INJURY TO PERSONS IN THE EVENT OF A GREASE FIRE, OBSERVE THE FOLLOWING:**

- a) **SMOTHER FLAMES** with a close-fitting lid, cookie sheet, or metal tray, then turn off the burner. **BE CAREFUL TO PREVENT BURNS.** If the flames do not go out immediately, **EVACUATE AND CALL THE FIRE DEPARTMENT.**
- b) **NEVER PICK UP A FLAMING PAN** – You may be burned.
- c) **DO NOT USE WATER**, including wet dishcloths or towels – a violent steam explosion will result.
- d) Use an extinguisher **ONLY** if:
  - You know you have a Class ABC extinguisher, and you already know how to operate it.
  - The fire is small and contained in the area where it started.
  - The fire department is being called.
  - You can fight the fire with your back to an exit.

Whenever possible, do not operate the ventilation system during a cooktop fire. However, do not reach through fire to turn it off.

## Gas Safety

To prevent carbon monoxide build-up, do not block appliance air vents.

Have the installer show you where the gas shut-off valve is located.

For proper burner performance, keep igniters clean and dry.

If a burner goes out and gas escapes, open windows and doors. Wait until gas dissipates before using the appliance.

**IMPORTANT SAFETY NOTICE:** Burning gas cooking fuel generates some by-products which are on the list of substances which are known by the State of California to cause cancer or reproductive harm. To minimize exposure to these substances, always operate this unit according to the instructions contained in this booklet and provide good ventilation.



# IMPORTANT SAFETY INSTRUCTIONS

READ AND SAVE THESE INSTRUCTIONS



**WARNING:** All igniters spark when any single burner is turned on. Do not touch any of the burners when the cooktop is in use.

If you smell gas, your installer has not done a proper job of checking for leaks. If the connections are not perfectly tight, you can have a small leak and, therefore, a faint smell. Finding a gas leak is not a “do-it-yourself” procedure. Some leaks can only be found with the burner control in the ON position and this must be done by a qualified service technician. See Warning, page 1.



**WARNING:** To prevent flare-ups all grates must be properly positioned on the cooktop whenever the cooktop is in use. Each of the feet must be placed into the corresponding dimples in the cooktop. Do not use a grate if the rubber feet are missing or damaged.

Keep the ignitor ports clean for proper lighting performance of the burners. It is necessary to clean these when there is a boilover or when the burner does not light even though the electronic igniters click.



**WARNING:** To prevent flare-ups do not use the cooktop without all burner caps and all burner grates properly positioned.



**WARNING:** Do not clean or touch any of the burners when an extra low burner (if equipped) is in use. When the extra low burner automatically reignites the ignitor at the burner will spark.



**WARNING:** Use this appliance only for its intended use as described in this manual. NEVER use this appliance as a space heater to heat or warm the room. Doing so may result in carbon monoxide poisoning and overheating the appliance. Never use the appliance for storage.



**WARNING:** NEVER cover any slots, holes or passages in the oven bottom or cover an entire rack with materials such as aluminum foil. Doing so blocks air flow through the oven and may cause carbon monoxide poisoning. Aluminum foil linings may also trap heat, causing a fire hazard.

## Burn Prevention

**DO NOT TOUCH SURFACE UNITS OR AREAS NEAR UNITS** - Surface units may be hot even though they are dark in color. Areas near surface units may become hot enough to cause burns. During and after use, do not touch, or let clothing, potholders, or other flammable materials contact surface units or areas near units until they have had sufficient time to cool. Among these areas are the cooktop and areas facing the cooktop.

Do not heat or warm unopened food containers. Build-up of pressure may cause the container to burst and cause injury.

Always turn hood ON when cooking at high heat or when flambeing food (i.e. Crêpes Suzette, Cherries Jubilee, Peppercorn Beef Flambe).

Use high heat settings on the cooktop only when necessary. To avoid bubbling and splattering, heat oil slowly on no more than a low-medium setting. Hot oil is capable of causing extreme burns and injury.

Never move a pan of hot oil, especially a deep fat fryer. Wait until it is cool.

Secure all loose garments, etc. before beginning. Tie long hair so that it does not hang loose, and do not wear loose fitting clothing or hanging garments, such as ties, scarves, jewelry, or dangling sleeves.

## Child Safety

When children become old enough to use the appliance, it is the legal responsibility of the parents or legal guardians to ensure that they are instructed in safe practices by qualified persons.

Do not allow anyone to climb, stand, lean, sit, or hang on any part of an appliance, especially a door, warming drawer, or storage drawer. This can damage the appliance, and the unit may tip over, potentially causing severe injury.

Do not allow children to use this appliance unless closely supervised by an adult. Children and pets should not be left alone or unattended in the area where the appliance is in use. They should never be allowed to play in its vicinity, whether or not the appliance is in use.



# IMPORTANT SAFETY INSTRUCTIONS

READ AND SAVE THESE INSTRUCTIONS



**CAUTION:** Items of interest to children should not be stored in an appliance, in cabinets above an appliance or on the backsplash. Children climbing on an appliance to reach items could be seriously injured.

## Cleaning Safety

**IMPORTANT SAFETY NOTICE:** The California Safe Drinking Water and Toxic Enforcement Act requires the Governor of California to publish a list of substances known to the state to cause cancer, birth defects or other reproductive harm, and requires businesses to warn customers of potential exposure to such substances. The burning of gas cooking fuel and the elimination of soil during self-cleaning can generate some by-products which are on the list. To minimize exposure to these substances, always operate this unit according to the instructions contained in this booklet and provide good ventilation.



**WARNING:** The burning of gas cooking fuel can create small amounts of Carbon Monoxide, Benzene, Formaldehyde and Soot. To minimize exposure to these substances the burners should be adjusted by a certified installer or agency to ensure proper combustion. Ensure proper ventilation with an open window or use a ventilation fan or hood when cooking with gas. Always operate the unit according to the instructions in this manual.

Do not block the oven vent(s) during the self-cleaning cycle. Always operate the unit according to the instructions in this manual.

After a spill or boilover, turn off the burner and allow the cooktop to cool. Clean around the burner and burner ports. After cleaning, check for proper operation.

## Cookware Safety

Hold the handle of the pan when stirring or turning food. This helps prevent spills and movement of the pan.

**Use Proper Pan Size.**

The use of undersized cookware will expose a portion of the heating element or burner to direct contact and may result in ignition of clothing. Select cookware having flat bottoms large enough to cover the surface

heating unit. This appliance is equipped with one or more surface units of different size. Proper relationship of cookware to heating element or burner will also improve efficiency.

Always position handles of utensils inward so they do not extend over adjacent work areas, burners, or the edge of the cooktop. This reduces the risk of fires, spills and burns.

Adjust burner flame size so that it does not extend beyond the edge of the cookware. Proper relationship of cookware to burner flame reduces safety risks.

## Proper Installation and Maintenance

Have the installer show you the location of the circuit breaker or fuse. Mark it for easy reference.

This appliance must be properly installed and grounded by a qualified technician. Connect only to properly grounded outlet. Refer to Installation Instructions for details.

This appliance is intended for normal family household use only. It is not approved for outdoor use. See the Warranty. If you have any questions, contact the manufacturer.

Do not store or use corrosive chemicals, vapors, flammables or nonfood products in or near this appliance. It is specifically designed for use when heating or cooking food. The use of corrosive chemicals in heating or cleaning will damage the appliance and could result in injury.



**WARNING:** Failure to operate knobs properly may result in personal injury and damage to the appliance.

Do not operate this appliance if it is not working properly, or if it has been damaged. Contact an authorized servicer.

Do not repair or replace any part of the appliance unless specifically recommended in this manual. Refer all servicing to a factory authorized service center.

To avoid electrical shock hazard, before servicing the appliance, switch power off at the service panel and lock the panel to prevent the power from being switched on accidentally.

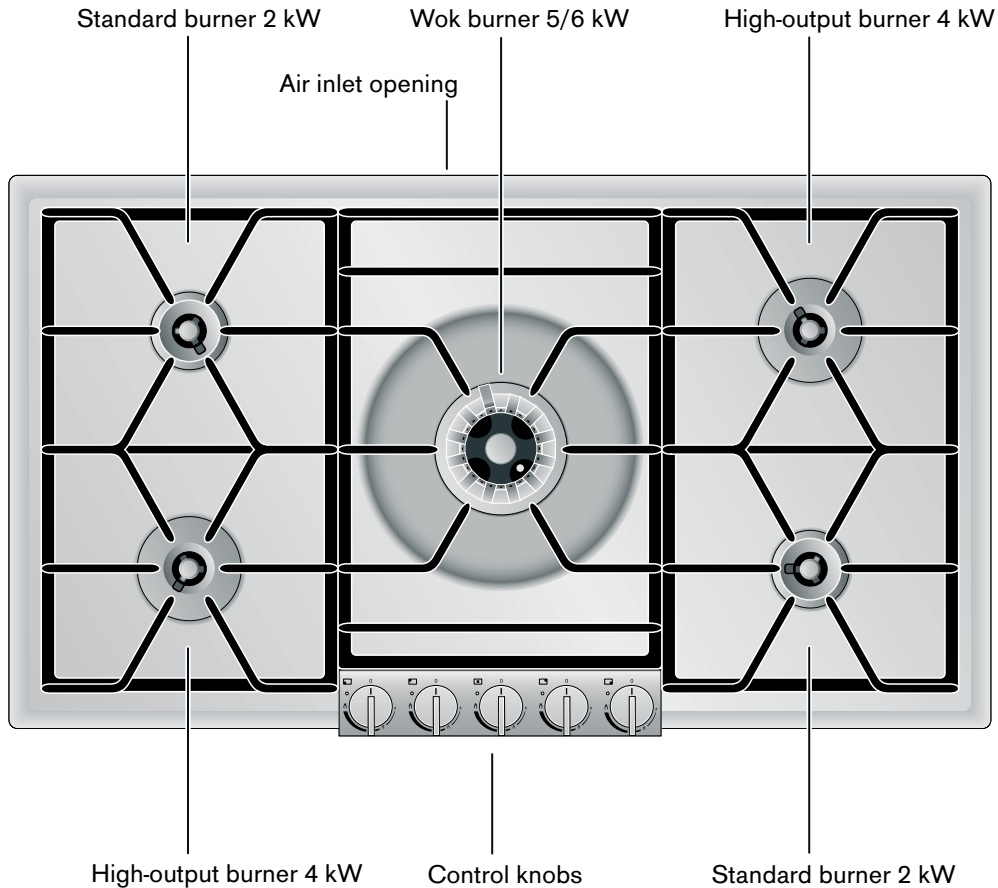
---

## Your new device

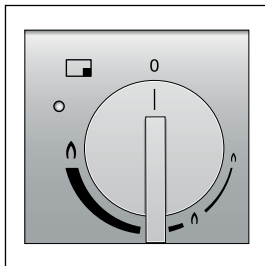
---

Here you will get to know your new device and obtain information about accessories.

## Gas stovetop



## Control knob



The markings on the control knob show which burner it is for and the setting from low to full flame. Setting is stepless.

## Special accessories

You can order the following accessories from your specialist dealer:

- **WP 400 001**  
Wok pan made of multi-layered material. With concave bottom and handle, Ø 36 cm, 6 liters, height 10 cm.

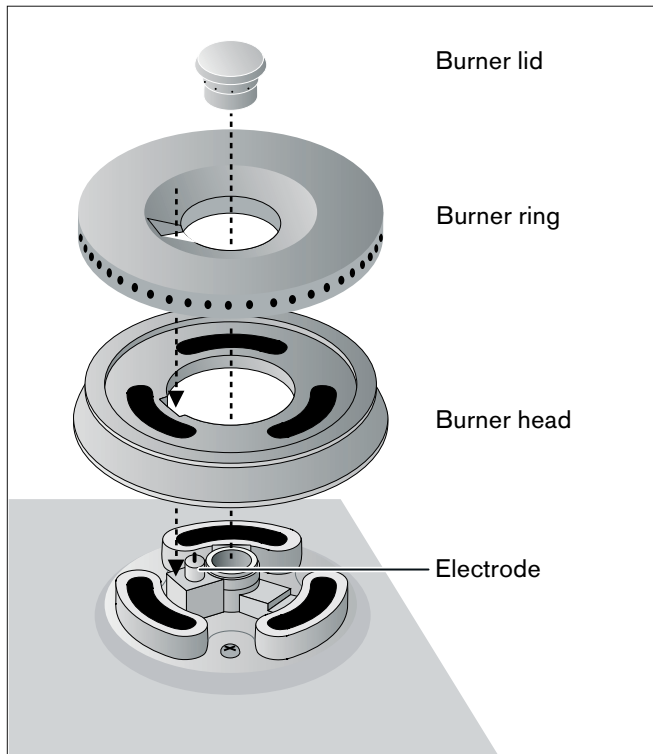
Use the accessories only as indicated. The manufacturer assumes no liability for incorrect usage of the accessories.



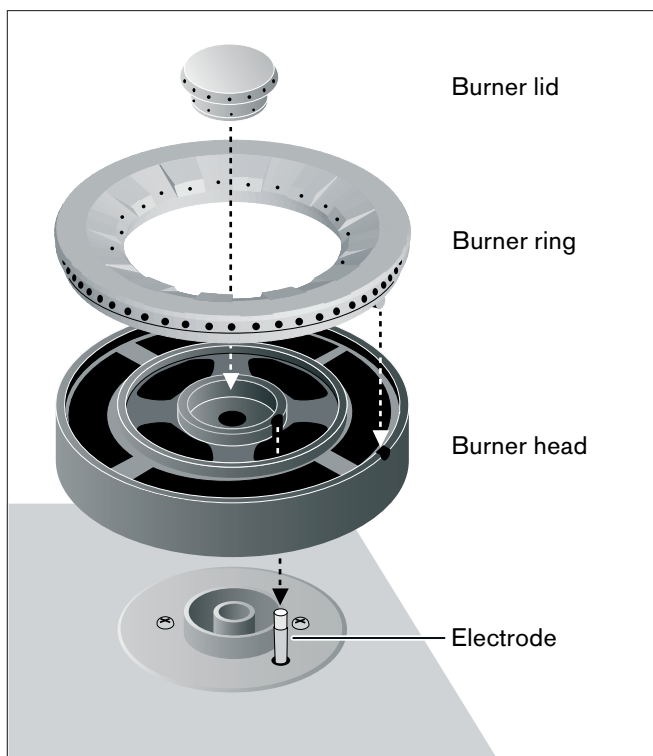
## Setting up burners

The burner parts must be positioned straightly and so that it fits perfectly in place, otherwise malfunctions may occur with ignition or during operation. The snap-pins must engage in the appropriate slots.

### Setting up standard burners / high-output burners



### Setting up wok burners

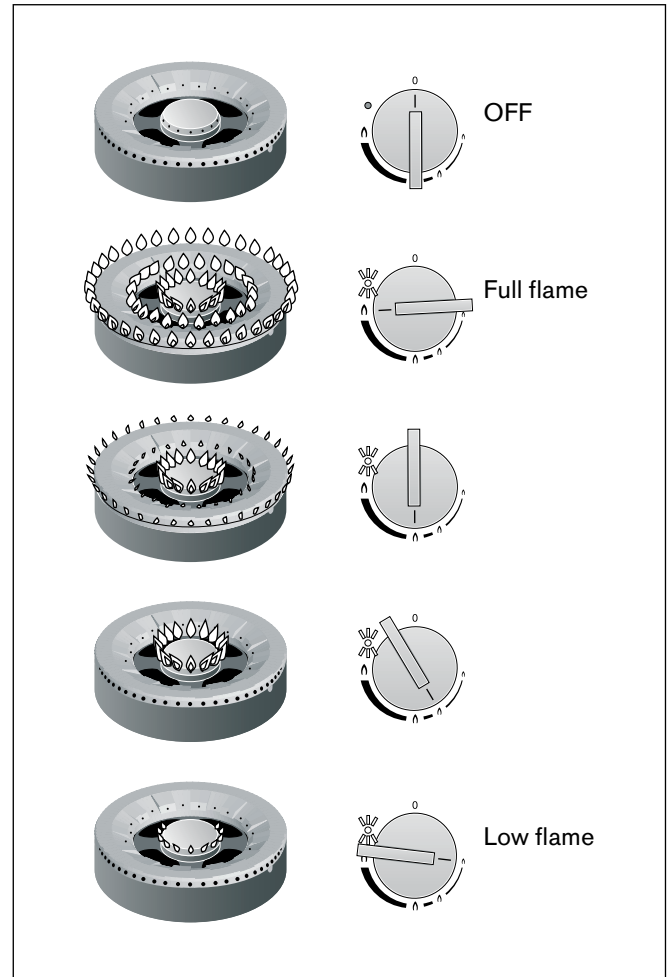


## Operating principle

The gas stovetop has two standard burners (two flame rings), two high-output burners (two flame rings) and a wok burner (three flame rings).

The appliance is equipped with single-handed operation, automatic quick ignition, electronic flame monitoring and automatic re-ignition.

Turning the control knob ignites the stove. Output is steplessly adjustable between full and low flame.



## Adjusting stovetop

The markings on the control knobs show you the position of the respective burner and output from full to low flame. Output is steplessly adjustable.

### Notes

- Only ignite cooking zones once the pan supports and all burner parts are correctly positioned.
- Burners and electrodes must be clean and dry.
- Only use the specified accessories. Do not line stainless steel stovetop (e.g. with aluminum foil).
- Don't cover the ventilation openings on the rear side of the gas stovetop.



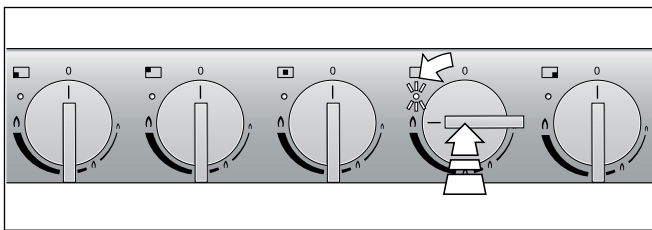
### **CAUTION: Heat damage to the range hood:**

Turn on a range hood when the gas stovetop is in operation. An appropriately high-output range hood must be selected for using multiple cooking zones. Provide for sufficient supply air.

## Turning on

Your gas stovetop has an automatic quick start feature.

- 1 Place a suitable pot or pan on the desired burner.
- 2 Press down the appropriate control knob and turn it left to the desired position. The burner ignites automatically.



By slowly turning the control knob, the flame size can be steplessly adjusted between full and low flame.

### Notes

- If you have large pots on the cooking zones, you should ignite at low flame.
- With each activation of the stovetop, the electronics perform a self-test. All electrodes ignite and the desired burner ignites after a few seconds. If you turn on more burners, only the respective electrode ignites.
- When turning on the stovetop, the electronics open the gas supply, which causes a small noise. This is normal.
- The appliance does not work in the event of a power failure.

## Indicator light

The indicator light next to the control knob lights up when the burner is in operation and the flame is burning. The indicator light blinks in case of a malfunction.

## Electronic flame monitoring and automatic re-ignition

For your safety, the stove is equipped with an electronic flame monitoring system. If the flame goes out during operation (e.g. through a draft of air), the appliance automatically re-ignites the burner.

Should the re-ignition prove unsuccessful (e.g. grime on burner due to spillage), the appliance turns off all burners and the indicator lights of the activated cooking zones flash.

Turn all control knobs to 0. The blinking indicator lights go out except for the indicator of the burner concerned. It continues blinking for a few seconds.

Wait until the appliance has cooled down sufficiently and then check if all parts of the burner are correctly in place. Check whether the burner or electrode is dirty (see malfunction table).

**Note:** In the event of a burner malfunction, you can continue to use the other burners, but only once all control knobs are turned to 0.

### **Please bear in mind if you turn the cold appliance on to maximum:**

Depending on the gas type and pressure used, the electrode may ignite, even though there is already a flame, and then turn off. Turn all control knobs to 0. Then turn the control knob of the desired cooking zone to a lower position (not maximum) and wait 30 - 60 seconds until the burner has heated up. Now you can use your appliance as usual.

## Turning off

Turn the desired control knob right, as far as it will go, to position 0.

If all control knobs are turned to 0, the appliance electronics close the gas supply.

## Settings table and tips

Setting range	Cooking procedure	Examples
Full flame $\uparrow$	Parboiling	Water
	Frying	Meat
	Heating up	Grease, fluid
	Bringing to a boil	Soups, sauces
	Blanching	Vegetables
From $\uparrow$ to $\downarrow$	Roasting	Meat, fish, potatoes
	Baking	Pastries, egg dishes
	Simmering	Dumplings, boiled sausage, boiled meat
	Whipping	Creams, sauces
	Boiling	Soups, potatoes
	Steaming	Vegetables, fish
	Stewing	Vegetables, fruit, fish
	Braising	Goulash, roasts, vegetables
Low flame $\downarrow$	Thawing	Frozen foods
	Soaking	Rice, pulses
	Warming up	Soups, stews, vegetables in sauce

## Tips for cooking and roasting

The values in the settings table serve as mere guidelines, since more or less heat may be required, depending on the type and condition of the foods, as well as the size and fullness of the pot.

The high output causes grease and oil to heat up quickly. Don't leave food unattended while frying; grease can catch fire and burn the food.

The rear cooking zones should be used to prepare foods requiring longer cooking times.

For parboiling, frying and deep-frying large portions, you should use the high-output burners or wok burners.

## Wok tips

We recommend woks with a concave bottom. You can order a high-quality wok as a special accessory (WP 400 001)

For cooking, only use cooking oil that can be heated up, such as peanut oil, with the wok.

Cook the ingredients at high heat while stirring constantly, for not too long. The vegetables should still be firm to the bite.

It is advisable to use a flat ladle with a long handle, made of heat-resistant material, to stir and scoop out.

## Information on cookware

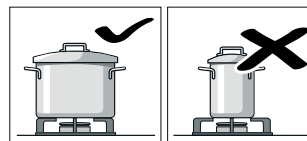
The following information will help you save energy and avoid damage to cooking vessels.

## Appropriate cooking vessels

Burner	Recommended diameter of pot base	Minimum diameter of pot base
Normal burner	200 - 240 mm	90 mm
High-output burner	240 - 280 mm	90 mm
Wok burner	240 - 320 mm	160 mm

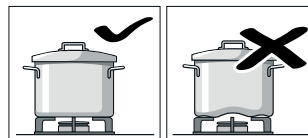
**Pots with a diameter of less than 90 mm or greater than 280 mm (320 mm for wok burners) shouldn't be used.** If you use larger pots, you must maintain a minimum clearance of 50 mm between the cooking vessel and surrounding flammable objects. A minimum distance of 50 mm must be maintained between the control knob or control panel and the pot or pan. The cooking vessel must touch the control panel.

## Information for use



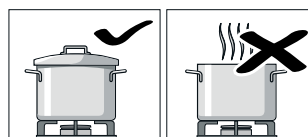
Use cooking vessels of appropriate size for the particular burner.

Don't use small cooking vessels on large burners. The flame shouldn't come in contact with the sides of the cooking vessel.

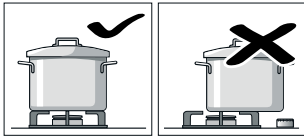


Don't use any deformed cooking vessels that don't stand solidly on the stovetop. The vessels could tip over.

Only use cooking vessels with flat and thick bottoms.

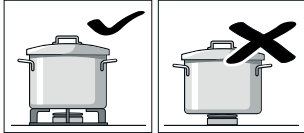


Don't cook without a lid or if the lid is not on all the way. The majority of the heat is lost.



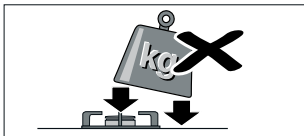
Place the cooking vessel in the center of the burner, otherwise it may tip over.

Don't place large pots on the burners near the stove controls. They could overheat and become damaged.



Place the pots on the pan supports, never directly onto the burners.

Prior to use, ensure that the pan supports and lids of the gas burners are positioned correctly.



Handle vessels carefully on the stovetop.

Don't bang the stovetop and don't place any heavy weights on it.

---

## Care and cleaning

---

In this section, you'll find tips and information about optimum care and cleaning of the stovetop.



### **WARNING: Risk of burns:**

The appliance grows hot during operation. Let appliance cool down prior to cleaning.



### **WARNING: Risk of electrical shock:**

Don't use a high-pressure cleaner or steam cleaner.

## Cleaning appliance

Clean the appliance after each use, once it has cooled down. Remove spilled fluids immediately; don't let any food rests burn on.

Keep the ventilation gap on the rear side of the appliance clean. The ventilation gap must not be covered up.

The bright metallic color of the burners (burner lid, burner ring and burner head) turns darker after long use due to natural oxidation. The color change doesn't affect use.

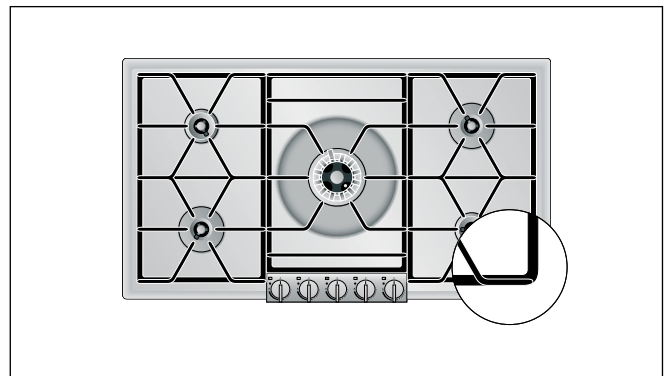
Cleaning gas stovetops:

- 1 First lift up a lateral pan support with both hands and then remove the other two pan supports.



**CAUTION:** The stovetop can become scratched.

- 2 Remove burner lid, burner ring and burner head. Only clean the burner parts when cold!
- 3 Let burned-on residue soak in a little water and dishwashing liquid. This helps dissolve stubborn grime. Don't use abrasive cleaning agents or sponges.
- 4 Only use a little water to clean the stovetop. No water must penetrate into the burner parts below.
- 5 Slight discolorations may occur on the stainless steel surface due to heat generation. Don't try to scrub away these discolorations, as it may damage the surface. Distribute stainless steel care product evenly thin along the stovetop (not on the control panel!). This provides for an even surface and your stovetop remains attractive-looking for a long time.
- 6 Dry off the burner parts. Only turn on the appliance once all parts are dry. Damp burner parts could cause problems with ignition or an unstable flame.
- 7 When assembling the burner ring and head, place them on the burner such that the snap-in pins engage into the appropriate slots. Make sure the burner parts are correctly positioned; they must lie straightly.
- 8 **Important:** First put the center pan support back in place (make sure it is correctly centered over the burner) and then the lateral one. The rounded-off corners of the lateral pan supports must face the side (see figure).

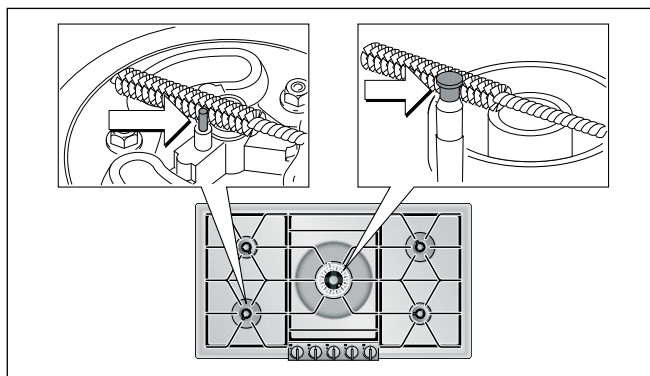


Appliance part/ surface	Recommended cleaning
Stainless steel surfaces	<p>Apply dishwashing liquid with a soft, damp cloth; dry off with a soft cloth. Only use a little water for cleaning; no water must penetrate into the appliance.</p> <p>If it is very dirty or discolored by heat, a stainless steel cleaner is available from your specialist dealer or our customer service (order number 464524).</p>
Pan supports	<p>Remove carefully for cleaning. Let soak in the sink. Clean with a dishwashing brush and dishwashing liquid.</p> <p>Clean carefully around the rubber buffer so that it doesn't come loose.</p> <p>Rinse with clear water and carefully dry it before putting it back in place.</p> <p><b>Don't wash in the dishwasher!</b></p>
Burner lid, burner ring, burner head (brass)	<p>Remove coarse grime with a damp cloth and dishwashing liquid. Apply brass polish in order to attain the original, metallic gleam.</p> <p>Check that the openings aren't plugged. Make sure that small parts don't get lost.</p> <p><b>Don't wash in the dishwasher!</b></p>
Wok burner head (enameled cast iron)	<p>Clean with a dishwashing brush and dishwashing liquid and carefully dry it before putting it back in place.</p> <p><b>Don't wash in the dishwasher!</b></p>
Control panel	<p>Clean with a soft, damp cloth and some dishwashing liquid; the cloth must not be too wet. Dry off with a soft cloth.</p>
Control knob	<p>Clean with a soft, damp cloth and some dishwashing liquid; the cloth must not be too wet.</p> <p><b>CAUTION: Damage to device:</b> Don't remove control knob for cleaning.</p>

## Cleaning electrode

A dirty electrode can cause malfunctions with ignition or flame monitoring.

Clean with brush included if necessary. The electrode is sensitive; clean carefully and don't twist or damage it. **Don't turn on the stovetop during cleaning.**



## Burned-on grime

For stubborn, burned-on grime, you can order a grille cleaner gel from your specialist shop or our customer service (order number 463582). It is suitable for pan supports, burner parts and the stainless steel stovetop. Leave on overnight if necessary. Bear in mind the notes on the cleaner.

## Discoloration of burners

After long use, the burners (burner lid, burner ring and burner head) turn darker due to natural oxidation. Proceed as follows to eliminate this discoloration:

- 1 Prepare a solution of equal amounts of white vinegar with a maximum of 8% acid (typical household vinegar) and warm water.
- 2 Immerse the burner parts in the solution for a maximum of 10 minutes. Eliminate stubborn stains with a cloth or sponge.
- 3 Then rinse the burner parts thoroughly with clear water and dry them well prior to next use.

**CAUTION:** Too strongly concentrated solution or too long of contact with vinegar will damage the surface of burner parts!

## Do not use these cleaning agents

- Caustic or corrosive cleaners
- Don't allow acidic cleaners (e.g. vinegar, citric acid, etc.) to get on the frame or panel
- Cleaners containing chlorine or large proportions of alcohol
- Baking oven spray
- Hard, scratchy dish-washing sponges, brushes or scourers
- Thoroughly wash out new sponge cloths before using them.

---

## Troubleshooting

---

You can often easily eliminate problems that may occur on your own. Before calling customer service, take into account the following information.

Malfunction	Possible cause	Solution
Burner doesn't ignite when turned on; indicator lights are off.	No power supply.	Turn control knob to 0. Check in the fuse box whether the fuse has opened.
Burner doesn't ignite when turned on; indicator light of activated burner blinks.	Burner or gas supply malfunction.	Turn control knob to 0. <b>Check:</b> <ul style="list-style-type: none"><li>● Burner parts correctly in place?</li><li>● Gas stop tap open?</li><li>● Burner dry and clean?</li><li>● Air pocket in pipeline after first connection or cylinder change (with liquefied gas)?</li><li>● Gas cylinder empty (with liquefied gas)?</li></ul>
Burner turns off during operation, indicator lights go out and only the indicator of the burner affected continues blinking for a few seconds.	Burner or gas supply malfunction.	Turn all control knobs to 0. <b>Wait until the appliance has cooled down!</b> <b>With this burner, check:</b> <ul style="list-style-type: none"><li>● Burner parts correctly in place?</li><li>● Electrode dirty (food remains) or damp?</li><li>● Burner dirtied with spilled food?</li><li>● Strong draft of air (e.g. open window directly behind the gas stovetop)?</li><li>● Gas cylinder empty (with liquefied gas)?</li></ul>
Burners turn off while in operation, indicator lights go out.	Power failure	Turn all control knobs to 0. Check power supply. There is no automatic re-ignition after a power failure.
Burners turn off while in operation; all indicator lights blink.	Overheating protection	Turn all control knobs to 0. Wait until indicator lights stop blinking.
It smells like gas in the kitchen.	Potential leak at gas cylinder connection.	Check gas cylinder connection for leaks.

---

## Customer Service

---

If your appliance needs repairs, our customer service is there for you. We always find the right solution and prevent unnecessary visits by technicians.

When you call, please indicate the product number (E-Nr.) and serial number (FD-Nr.) so that we can support you in a qualified manner. You will find the type plate with these numbers on the bottom of the appliance. To avoid having to search for a long time when you need it, you can enter your appliance data and the customer support telephone number here.

---

**E-Nr.**

**FD-Nr.**

---

---

**Customer Service** 

---

Please note that a visit by a customer support technician in case of an operating error is not free, even during the warranty period.

Please find the contact data of all countries in the enclosed customer service list.

### To book an engineer visit and product advice

**US** 877 442 4436  
toll-free

You can rely on the manufacturer's expertise. Rest assured that the repair will be handled by trained service technicians who have the original replacement parts for your appliance.

---

## Packaging and old appliances

---

The packaging of new appliances as well as old appliances contain valuable raw materials and recyclable components.

Please dispose of the individual parts separately, according to type.

You can obtain information about the latest disposal methods from your specialist dealer or from your local government or city council.

---

## Table de Matières

---

<b>CONSIGNES DE SÉCURITÉ IMPORTANTES</b>	<b>17</b>
Sécurité-incendie	18
Sécurité en matière de gaz	18
Prévention des brûlures	19
Sécurité des enfants	20
Consignes en matière de nettoyage	20
Sécurité pour la batterie de cuisine	20
Installation et entretien corrects	21
<b>Votre nouvel appareil</b>	<b>22</b>
Table de cuisson à gaz	22
Manettes de commande	22
Accessoires spéciaux	22
Description des brûleurs	23
Fonctionnement	23
<b>Réglage de la table de cuisson</b>	<b>24</b>
Allumage	24
Voyants	24
Surveillance électronique de flamme et réallumage automatique	24
Arrêt	25
<b>Tableau de réglage et conseils</b>	<b>25</b>
Conseils pour la cuisson	25
Conseils en cas d'utilisation d'un wok	25
<b>Conseils concernant les récipients de cuisson</b>	<b>26</b>
Récipients de cuisson adaptés	26
Conseils d'utilisation	26
<b>Entretien et nettoyage</b>	<b>27</b>
Nettoyage de l'appareil	27
Nettoyage de l'électrode	28
Salissures brûlées	28
Décoloration des brûleurs	28
N'utilisez pas ces produits nettoyants	29
<b>Remédier aux anomalies</b>	<b>29</b>
<b>Service après-vente</b>	<b>30</b>
<b>Emballage et appareils hors d'usage</b>	<b>30</b>
Élimination sans nuisances pour l'environnement	32

Vous trouverez des informations supplémentaires concernant les produits, accessoires, pièces de rechange et services sur Internet sous : [www.gaggenau.com](http://www.gaggenau.com) et la boutique en ligne : [www.gaggenau-eshop.com](http://www.gaggenau-eshop.com)





# CONSIGNES DE SÉCURITÉ IMPORTANTES

LIRE ET CONSERVER CES INSTRUCTIONS



## AVERTISSEMENT :

Si les informations du présent manuel ne sont pas parfaitement respectées, un incendie ou une explosion risquent de survenir et de provoquer des dommages matériels, des blessures corporelles ou la mort.

Ne pas conserver ni utiliser de matières combustibles, d'essence ou d'autres vapeurs et liquides inflammables à proximité de cet appareil ou de tout autre appareil électroménager.

## QUE FAIRE EN CAS D'ODEUR DE GAZ :

- Ne tentez d'allumer aucun appareil.
- Ne touchez aucun interrupteur électrique.
- N'utilisez aucun téléphone dans le local.
- Appelez immédiatement le fournisseur de gaz à partir du téléphone d'un voisin. Suivez les instructions du fournisseur de gaz.
- Si vous ne parvenez pas à joindre le fournisseur de gaz, appelez le service des incendies.

L'installation et l'entretien doivent être effectués par un installateur compétent, un service d'entretien autorisé ou le fournisseur de gaz.



# CONSIGNES DE SÉCURITÉ IMPORTANTES

LIRE ET CONSERVER CES INSTRUCTIONS

## Sécurité-incendie

Conserver ces instructions.

Régler la commande de brûleur afin que la flamme ne puisse pas dépasser le rebord du fond des casseroles.

Ne pas laisser des matières telles que le papier aluminium, le plastique, le papier ou le tissu entrer en contact avec un brûleur ou une grille chaude. Ne laissez pas les poêles sécher au feu.

Si la table de cuisson est près d'une fenêtre, d'un évent à air forcé ou d'un ventilateur, s'assurer que les matériaux inflammables tels les tentures/rideaux ne flottent pas au-dessus ou près des brûleurs ou éléments. Ils risqueraient de s'enflammer.

Toujours avoir un détecteur de fumée en état de marche près de la cuisine.

Ne laissez jamais la table de cuisson sans surveillance lorsqu'elle est en utilisation. Des débordements causant de la fumée et des déversements graisseux peuvent prendre feu.



### AVERTISSEMENT : POUR RÉDUIRE LES RISQUES DE FEUX DE GRAISSE :

- a) Ne jamais faire fonctionner les unités de surface à des températures élevées sans surveillance. Des débordements causant de la fumée et des déversements graisseux peuvent prendre feu. Chauffer l'huile lentement à réglage faible ou moyen.
- b) Mettre toujours la hotte EN MARCHÉ pendant la cuisson à température élevée et au moment de flamber des aliments (p.ex., crêpes Suzette, cerises jubilé, steak au poivre flambé).
- c) Nettoyer souvent les ventilateurs d'aération. Il ne faut pas que la graisse s'accumule sur le ventilateur ou sur le filtre.
- d) Utiliser des casseroles de taille adéquate. Utiliser toujours des casseroles dont les dimensions conviennent à la taille de l'élément.

Si des vêtements s'enflamment, rouler par terre immédiatement pour éteindre les flammes.

Étouffez les flammes d'un feu d'aliments autre qu'un feu de graisse à l'aide de bicarbonate de soude. Ne jamais utiliser d'eau sur les feux de cuisson.

S'assurer que l'air brassé par les ventilateurs ou les événements à air forcé n'agisse pas sur les flammes d'un brûleur de sorte qu'elles risquent de dépasser des rebords d'une casserole.

Veillez à avoir à portée de main un extincteur d'incendie en bon état de marche, placé visiblement près de l'appareil et facile d'accès.



### AVERTISSEMENT : POUR RÉDUIRE LE RISQUE DE LÉSIONS CORPORELLES DANS L'ÉVENTUALITÉ D'UN FEU DE GRAISSE, OBSERVER LES CONSIGNES SUIVANTES :

- a) ÉTOUFFER LES FLAMMES à l'aide d'un couvercle bien hermétique, d'une tôle à biscuits ou d'un plateau en métal, puis éteindre l'appareil. FAIRE ATTENTION À NE PAS SE BRÛLER. Si les flammes ne s'éteignent pas immédiatement, ÉVACUER LES LIEUX ET FAIRE APPEL AU SERVICE D'INCENDIE.
- b) NE JAMAIS SAISIR UN RÉCIPIENT QUI BRÛLE. Vous pourriez vous brûler.
- c) NE PAS UTILISER D'EAU, y compris les chiffons ou serviettes mouillées. Une violente explosion de vapeur risque de se produire.
- d) Utiliser un extincteur uniquement si :
  - Vous savez que vous possédez un extincteur de CLASSE ABC, et vous en connaissez déjà le maniement.
  - L'incendie est de petite ampleur et contenu dans la zone où il s'est déclaré.
  - Le service d'incendie est appelé.
  - On peut combattre l'incendie le dos tourné vers la sortie.

Dans la mesure du possible, ne pas faire fonctionner le système de ventilation lorsqu'un feu se déclenche sur une table de cuisson. Toutefois, ne pas passer la main à travers le feu pour mettre le système de ventilation hors tension.

## Sécurité en matière de gaz

Pour éviter toute accumulation d'oxyde de carbone, ne pas bloquer les événements de l'appareil.

Se faire indiquer l'emplacement du robinet d'arrêt de gaz par l'installateur.


# **CONSIGNES DE SÉCURITÉ IMPORTANTES**

## LIRE ET CONSERVER CES INSTRUCTIONS


Pour un fonctionnement adéquat des brûleurs, l'allumeur doit toujours être propre et sec.

Si un brûleur s'éteint et que du gaz s'échappe, ouvrir portes et fenêtres. Attendre que le gaz se soit dissipé avant d'utiliser de nouveau l'appareil.


**AVIS DE SÉCURITÉ IMPORTANT** : l'incinération de combustible gazeux de cuisson peut générer des sous-produits qui figurent sur la liste des substances reconnues par l'État de Californie comme étant cancérigènes ou nuisibles à la reproduction. Pour minimiser l'exposition à ces substances, toujours faire fonctionner cet appareil conformément aux instructions contenues dans cette brochure et assurer une bonne ventilation.


 **AVERTISSEMENT** : Tous les allumeurs émettent des étincelles lorsqu'on allume un brûleur. Ne toucher aucun brûleur lors de l'utilisation de la table de cuisson.


Si vous sentez du gaz, votre installateur n'a probablement pas détecté une fuite de gaz. Si les branchements ne sont pas parfaitement étanches, vous pourriez avoir une petite fuite et donc une légère odeur de gaz. La détection d'une fuite de gaz n'est pas une opération à faire soi-même. Certaines fuites ne peuvent être détectées que si le brûleur est en position de marche et ceci doit être fait par un technicien de réparation qualifié. Voir Avertissement, page 1.


 **AVERTISSEMENT** : Pour éviter les poussées de flamme lors de l'utilisation de la table de cuisson, les grilles de brûleur doivent être correctement installées. Les pieds de support des grilles doivent reposer sur les alvéoles de la table de cuisson prévues à cet effet. Ne pas utiliser une grille si les pieds en caoutchouc sont absents ou abîmés.

Les orifices de l'allumeur doivent être propres pour que les brûleurs s'allument correctement. Il est impératif de nettoyer les brûleurs en cas de débordement ou si un brûleur ne s'allume pas même si l'allumeur émet un léger claquement.

 **AVERTISSEMENT** : Pour éviter les poussées de flamme, ne pas utiliser la table de cuisson sans avoir correctement installé les capuchons de brûleur et les grilles de brûleur.

 **AVERTISSEMENT** : Ne pas nettoyer ni toucher les brûleurs lorsque le brûleur à très faible puissance (s'il y en a un) est en cours d'utilisation. Lorsque le brûleur à très faible puissance se rallume automatiquement, l'allumeur émettra des étincelles au niveau du brûleur.

 **AVERTISSEMENT** : Utiliser cet appareil uniquement pour l'usage auquel il est destiné comme l'indique ce manuel. Ne JAMAIS utiliser cet appareil comme un radiateur électrique portatif pour chauffer ou réchauffer une pièce. Ceci pourrait entraîner une intoxication par l'oxyde de carbone et provoquer une surchauffe de l'appareil. L'appareil ne doit jamais servir à entreposer quoi que ce soit.

 **AVERTISSEMENT** : Ne JAMAIS couvrir les encoches, orifices ou passages pratiqués au fond du four et ne jamais recouvrir complètement la grille avec des matériaux tels que le papier d'aluminium. Ceci aurait pour effet de bloquer la circulation de l'air à l'intérieur du four et pourrait entraîner une intoxication par l'oxyde de carbone. Les feuilles d'aluminium peuvent également emprisonner la chaleur et présenter ainsi un risque d'incendie.

## Prévention des brûlures

**NE PAS TOUCHER AUX ÉLÉMENTS DE SURFACE NI AUX ZONES PRÈS DES ÉLÉMENTS.** Les unités de surface peuvent être chaudes même lorsqu'elles sont de couleur foncée. Les zones près des unités de surface peuvent devenir suffisamment chaudes pour causer des brûlures. Pendant et après l'utilisation, ne pas toucher, ni laisser vêtements, poignées isolantes ou autres matériaux inflammables entrer en contact avec les éléments de surface ni aux zones près des éléments tant qu'ils n'ont pas refroidi. Citons notamment la table de cuisson et les surfaces situées près de celle-ci.

Ne pas chauffer ou réchauffer des contenants d'aliments non ouverts. L'accumulation de pression peut faire exploser le contenant et provoquer des blessures.

Mettre toujours la hotte **EN MARCHE** pendant la cuisson à température élevée et au moment de flamber des aliments (p.ex., crêpes Suzette, cerises jubilee, steak au poivre flambé).



# CONSIGNES DE SÉCURITÉ IMPORTANTES

LIRE ET CONSERVER CES INSTRUCTIONS

Utiliser les réglages élevés seulement lorsque nécessaire. Pour éviter bulles et éclaboussures, chauffer l'huile lentement à réglage faible ou moyen. L'huile chaude peut causer des brûlures et blessures extrêmement graves.

Ne déplacez jamais une poêle contenant de l'huile chaude, en particulier une bassine à friture. Attendez qu'elle se soit refroidie.

Attacher les vêtements lâches, etc. avant de commencer. Attacher les cheveux longs de façon à ce qu'ils ne pendent pas et ne pas porter de vêtements lâches ou d'habits ou objets qui pendillent, tels que cravates, foulards, bijoux ou manches.

## Sécurité des enfants

Lorsque les enfants sont assez âgés pour utiliser l'appareil, il incombe aux parents ou tuteurs légaux de veiller à ce qu'ils soient formés aux pratiques sécuritaires par des personnes qualifiées.

Ne permettre à personne de grimper, rester debout, s'appuyer, s'asseoir ou se pencher sur toute partie d'un appareil, notamment une porte, un tiroir-chaud ou un tiroir de rangement. Ceci peut endommager l'appareil qui risque de basculer et causer des blessures sérieuses.

Ne pas permettre aux enfants d'utiliser cet appareil sauf sous la surveillance attentive d'un adulte. Ne pas laisser les enfants et les animaux seuls ou sans surveillance lorsque l'appareil est en service. Ne jamais les laisser jouer aux alentours de l'appareil, que ce dernier soit en service ou non.



**ATTENTION :** Les articles d'intérêt pour les enfants ne doivent pas être rangés dans un appareil électroménager, dans les armoires au-dessus de l'appareil ou sur le dossier. Les enfants peuvent grimper sur l'appareil pour atteindre ces objets et se blesser sérieusement.

## Consignes en matière de nettoyage

**AVIS DE SÉCURITÉ IMPORTANT :** en application de la loi de la Californie sur la qualité de l'eau potable et sur les produits toxiques (« California Safe Drinking Water and Toxic Enforcement Act »), le Gouverneur de Californie est tenu de publier une liste des substances reconnues par l'État de Californie comme étant cancérigènes ou pouvant causer des malformations ou nuire à la reproduction, et les

entreprises sont tenues d'avertir les consommateurs des risques potentiels d'exposition à de telles substances. L'incinération de combustible gazeux de cuisson et l'élimination de salissures lors d'un autonettoyage peuvent générer des sous-produits qui figurent sur cette liste. Pour minimiser l'exposition à ces substances, toujours faire fonctionner cet appareil conformément aux instructions contenues dans cette brochure et assurer une bonne ventilation.



**AVERTISSEMENT :** L'incinération de combustible gazeux de cuisson peut générer de faibles quantités d'oxyde de carbone, de benzène, de formaldéhyde et de suie. Afin de minimiser l'exposition à ces substances, les brûleurs doivent être réglés par un installateur ou un service certifié afin d'assurer une combustion adéquate. Assurer une ventilation adéquate en ouvrant une fenêtre ou utiliser un ventilateur ou une hotte aspirante lorsque vous cuisinez au gaz. Toujours utiliser l'appareil conformément aux instructions du présent manuel.

Ne pas bloquer le ou les événements du four pendant le cycle d'autonettoyage. Toujours utiliser l'appareil conformément aux instructions du présent manuel.

Après tout déversement ou débordement, éteindre le brûleur et laisser la table de cuisson refroidir. Nettoyer le pourtour du brûleur ainsi que ces orifices. Une fois ce nettoyage terminé, vérifier le bon fonctionnement du brûleur.

## Sécurité pour la batterie de cuisine

Tenir la poignée de la casserole en brassant ou tournant les aliments. Ceci l'empêche de bouger et évite les déversements.

Utiliser des casseroles de taille adéquate. L'utilisation de casseroles trop petites aura pour effet d'exposer une partie de l'élément chauffant ou du brûleur pouvant présenter un risque de contact direct et d'incendie de vêtements. Sélectionner des ustensiles à fond plat, suffisamment larges pour couvrir l'élément chauffant. Cet appareil est doté de surfaces de différents formats. Un bon rapport ustensile/élément chauffant ou brûleur permet également d'améliorer le fonctionnement de l'appareil.



# CONSIGNES DE SÉCURITÉ IMPORTANTES

LIRE ET CONSERVER CES INSTRUCTIONS

Tourner toujours les poignées an qu'elles ne passent pas au-dessus des zones adjacentes de cuisson ou du bord de l'appareil. Ceci aide à diminuer le risque d'ignition de matériaux inammables, de déversements et de brûlures.

Ajuster la taille de la flamme des brûleurs afin qu'elle ne dépasse pas le bord des ustensiles. Un bon rapport flamme/ustensile entraîne une diminution des risques en matière de sécurité.

## Installation et entretien corrects

Demandez à l'installateur de vous montrer où se trouve le disjoncteur ou le fusible. Identifier sa position pour pouvoir le retrouver facilement.

Cet appareil doit être adéquatement installé et mis à la terre par un technicien agréé. Branchez l'appareil uniquement dans une prise correctement reliée à la terre. Pour plus de détails, reportez-vous à la notice d'installation.

Cet appareil est destiné uniquement à une utilisation domestique normale. Il n'est pas homologué pour un usage en extérieur. Voyez la garantie. Si vous avez des questions, communiquez avec le fabricant.

Ne pas entreposer ni utiliser de produits chimiques corrosifs, vapeurs, substances inflammables ou produits non alimentaires à l'intérieur ou à proximité de l'appareil. Il a été spécialement conçu pour être utilisé pendant le chauffage et la cuisson des aliments. L'emploi de produits chimiques corrosifs pour chauffer ou nettoyer l'appareil endommagera ce dernier et peut provoquer des blessures.



**AVERTISSEMENT** : Le non respect du mode de fonctionnement des boutons peut entraîner des lésions corporelles ou des dommages à l'appareil.

Ne pas se servir de cet appareil s'il ne fonctionne pas correctement ou s'il est endommagé. Communiquer avec un réparateur autorisé.

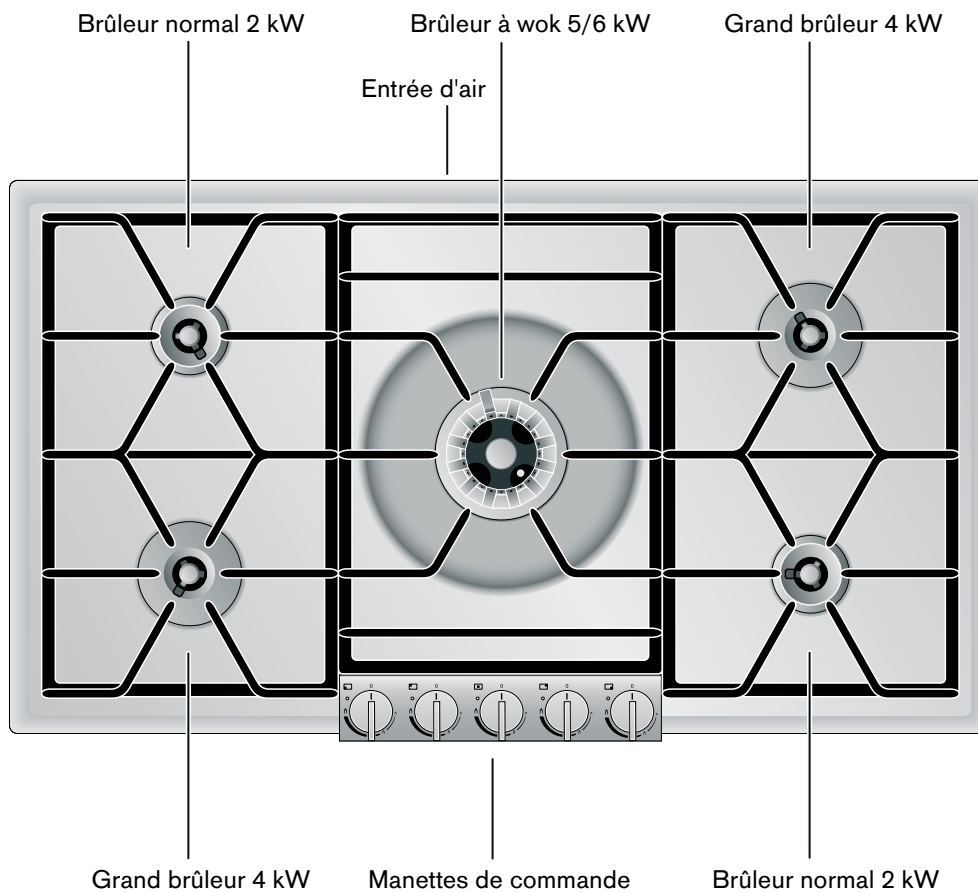
Ne pas réparer ni remplacer toute pièce de l'appareil à moins que cela ne soit spécifiquement recommandé par ce manuel. Toute réparation doit être effectuée par un centre de réparation autorisé par l'usine.

Pour éviter les risques d'électrocution, avant de réparer l'appareil, mettre l'alimentation hors circuit au niveau du panneau de service et le verrouiller pour éviter toute mise en circuit accidentelle.

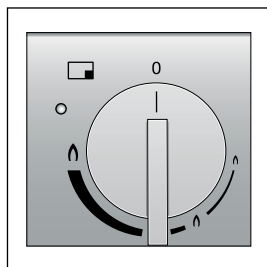
## Votre nouvel appareil

Faites connaissance avec votre nouvel appareil et ses accessoires.

## Table de cuisson à gaz



## Manettes de commande



Les marques visibles sur la manette de commande indiquent à quel brûleur correspond la manette ainsi que les possibilités de réglage entre feu doux et feu fort. Le réglage s'effectue en continu.

## Accessoires spéciaux

Vous pouvez commander les accessoires suivants auprès de votre distributeur :

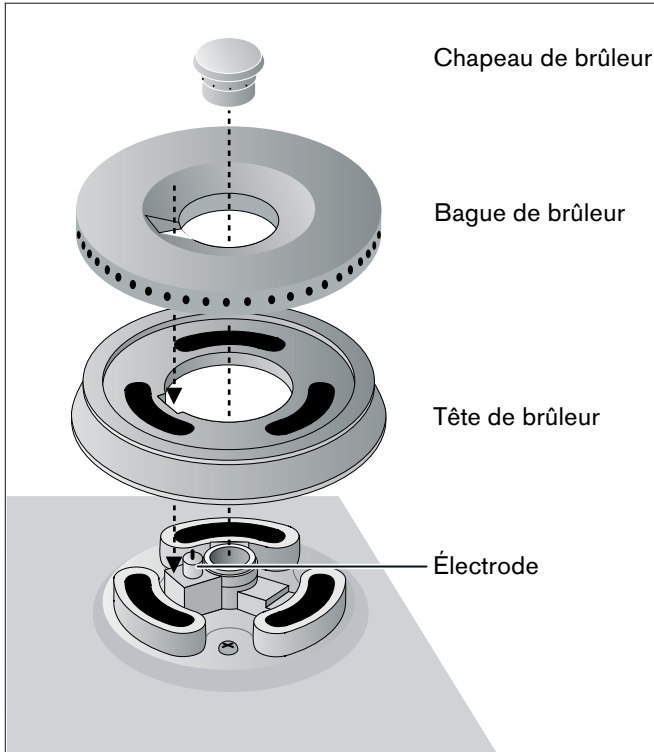
- **WP 400 001**  
Wok en matériau multicouche. Avec fond bombé et manche, Ø 36 cm, 6 litres, hauteur 10 cm.

Utilisez l'accessoire seulement de la manière indiquée. Le fabricant n'est pas responsable de l'utilisation non conforme des accessoires.

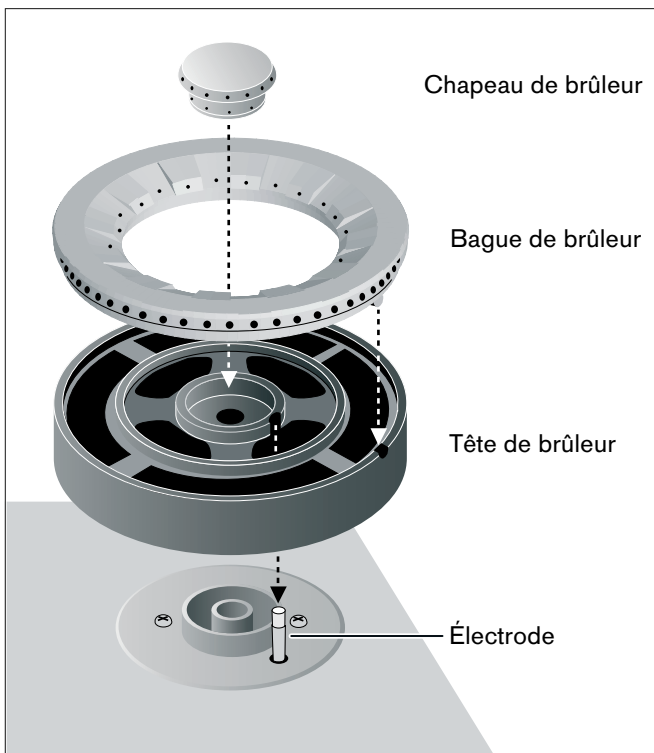
## Description des brûleurs

Posez les éléments du brûleur bien d'aplomb et en les ajustant bien ; sinon, des perturbations peuvent se produire à l'allumage ou pendant le fonctionnement. Les ergots de verrouillage doivent bien pénétrer dans les évidements prévus.

### Description brûleur normal / brûleur rapide



### Description du brûleur à wok

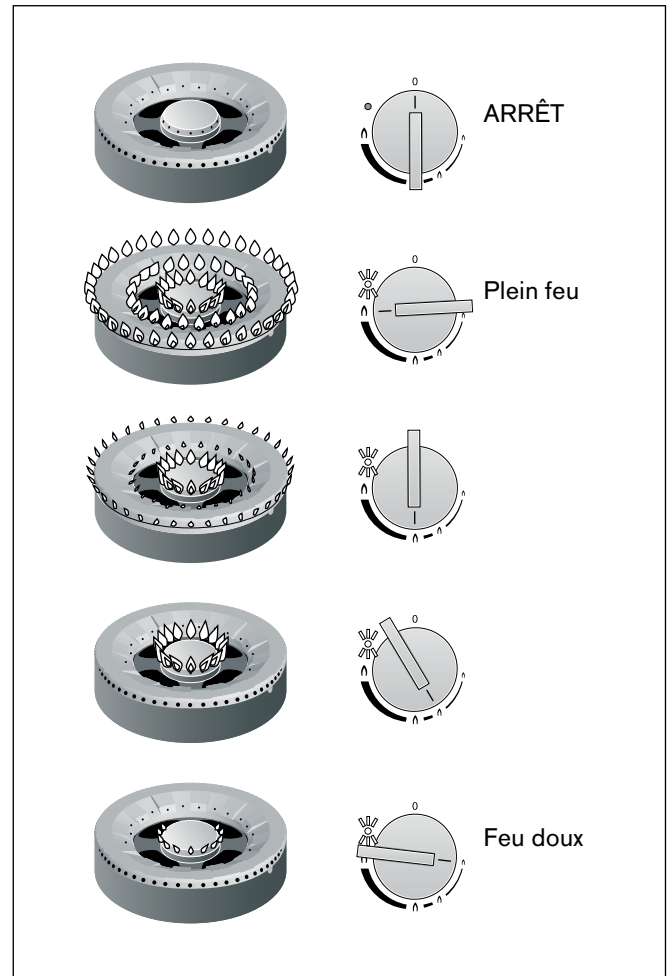


## Fonctionnement

La table de cuisson à gaz comporte deux brûleurs normaux (deux cercles de flammes), deux brûleurs rapides (deux cercles de flammes) et un brûleur à wok (trois cercles de flammes).

L'appareil est conçu pour s'utiliser d'une seule main, avec un allumage automatique rapide, une surveillance électronique de flamme et le réallumage automatique.

L'allumage entre en action dès que la manette est tournée. La puissance est réglable en continu entre les positions feu fort et feu doux.



## Réglage de la table de cuisson

Les marques visibles sur les manettes de commande vous indiquent la position du brûleur et le niveau de puissance, entre feu fort et feu doux. La puissance est réglable en continu.

### Remarques

- Avant d'allumer les foyers, assurez-vous que la grille porte-casseroles et tous les éléments des brûleurs sont bien en place.
- Les brûleurs et l'électrode doivent être propres et secs.
- Utilisez seulement les accessoires prescrits. Ne couvrez pas la table en inox (avec une feuille d'aluminium par exemple).
- Ne masquez pas les aérations qui se trouvent à l'arrière de la table de cuisson à gaz.



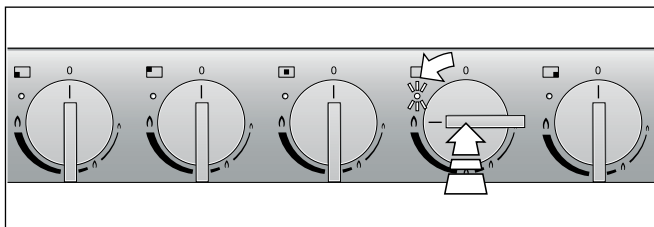
### ATTENTION : Détérioration de la hotte aspirante à cause de la chaleur :

Allumez la hotte aspirante lorsque la table de cuisson est en marche. Lorsque vous utilisez plusieurs foyers en même temps, sélectionnez un niveau de puissance suffisamment élevé sur la hotte. Assurez-vous que l'aération offre un apport suffisant en air frais.

## Allumage

Votre table de cuisson à gaz dispose d'un allumage rapide automatique.

- 1 Placez un récipient de cuisson approprié sur le brûleur voulu.
- 2 Appuyez sur la manette de commande concernée et tournez-la vers la gauche jusqu'à la position voulue. Le brûleur s'allume automatiquement.



Tournez lentement la manette de commande pour régler la taille de la flamme en continu entre la position feu fort et la position feu doux.

### Remarques

- Si vous placez des casseroles de grande taille sur les foyers, allumez d'abord à feu doux.

- À chaque allumage de la table de cuisson à gaz, l'électronique effectue un autotest. Toutes les électrodes s'allument et le brûleur souhaité s'allume au bout de quelques secondes. Ensuite, si vous allumez d'autres brûleurs, seule l'électrode concernée va s'allumer.
- Au moment de l'allumage de la table de cuisson à gaz, l'électronique ouvre l'arrivée du gaz, ce qui provoque un bruit bref. Cela est normal.
- En cas de panne d'électricité, l'appareil ne peut pas fonctionner.

## Voyants

Le voyant situé près de la manette s'allume lorsque le brûleur correspondant est en marche et que la flamme brûle. En cas d'anomalie, le voyant clignote.

## Surveillance électronique de flamme et réallumage automatique

Pour votre sécurité, la table de cuisson est dotée d'une surveillance électronique de flamme. Si la flamme s'éteint (à cause d'un courant d'air par exemple), l'appareil rallume automatiquement le brûleur concerné.

Si le réallumage échoue (par exemple parce que le brûleur est encrassé par des aliments ayant débordé), l'appareil coupe tous les brûleurs et les voyants des foyers allumés clignotent.

Mettez toutes les manettes à 0. Les voyants clignotants s'éteignent, sauf celui du brûleur concerné qui continue à clignoter pendant encore quelques secondes.

Attendez que l'appareil ait suffisamment refroidi, puis vérifiez si tous les éléments du brûleur sont bien en place. Regardez aussi si le brûleur ou l'électrode ne sont pas encrassés (voir tableau des anomalies).

**Remarque :** En cas d'incident sur un brûleur, vous pouvez continuer à utiliser les autres brûleurs, mais seulement après avoir mis toutes les manettes à 0.

### Si vous allumez à feu fort alors que l'appareil est froid :

Selon le type de gaz utilisé et la pression du gaz, il peut arriver que l'électrode s'allume bien qu'il y ait déjà une flamme, et qu'elle se coupe ensuite. Mettez toutes les manettes à 0. Ensuite, réglez la manette du foyer concerné dans une position inférieure (donc pas à la puissance maximale) et attendez 30 à 60 secondes que le brûleur ait chauffé. Vous pouvez maintenant utiliser votre appareil de manière habituelle.



## Arrêt

Tournez la manette de commande voulue au maximum vers la droite jusqu'à la position 0.

Lorsque toutes les manettes de commande sont en position 0, l'électronique de l'appareil coupe l'arrivée du gaz.

## Tableau de réglage et conseils

Gamme de réglage	Méthodes de cuisson	Exemples
Feu fort $\uparrow$	Faire cuire à demi	Eau
	Faire revenir	Viandes
	Chauffer	Graisse, liquides
	Porter à ébullition	Soupes, sauces
De $\uparrow$ à $\emptyset$	Blanchir	Légumes
	Rôtir	Viande, poisson, pommes de terre
	Cuire	Pâtisseries, plats aux œufs
	Cuire à point	Quenelles, saucisses à pocher, viande pour potées
	Battre	Crèmes, sauces
	Poursuivre la cuisson	Soupes, pommes de terre
	Cuire à la vapeur	Légumes, poisson
	Cuire à l'étuvée	Légumes, fruits, poisson
Petit feu $\downarrow$	Mijoter	Goulache, rôtis, légumes
	Décongeler	Surgelés
	Faire gonfler	Riz, légumes secs
	Réchauffer	Soupes, potées, légumes en sauce

## Conseils pour la cuisson

Les valeurs du tableau de réglage sont indicatives, car selon la nature et l'état des mets ainsi que selon la taille et le degré remplissage du récipient de cuisson, il faut plus ou moins de chaleur.

La puissance élevée de la table permet de chauffer rapidement l'huile et les graisses. Ne laissez pas des mets à rôtir sans surveillance, la graisse peut s'enflammer et le mets peut brûler.

Placez sur les foyers arrière les mets qui doivent cuire longtemps.

Pour cuire à demi, frire et faire revenir de grandes quantités, utilisez de préférence le brûleur rapide ou le brûleur à wok.

## Conseils en cas d'utilisation d'un wok

Nous conseillons d'utiliser un wok à fond bombé. Vous pouvez commander en accessoire un wok de très bonne qualité (WP 400 001).

Pour la cuisson au wok, utilisez seulement de l'huile alimentaire à résistance élevée à la température, par exemple de l'huile de noix.

Faites cuire les ingrédients à température élevée, pas trop longtemps, en remuant en permanence. Les légumes doivent rester croquants.

Pour remuer et sortir les mets, utilisez de préférence une louche plate à long manche en matériau résistant à la chaleur.

## Conseils concernant les récipients de cuisson

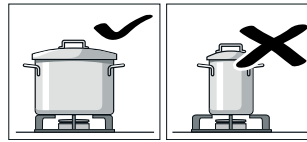
Les conseils suivants vous aideront à économiser l'énergie et à maintenir vos récipients de cuisson en bon état.

### Récipients de cuisson adaptés

Brûleur	Diamètre recommandé des fonds de casseroles	Diamètre minimal des fonds de casseroles
Brûleur normal	200 - 240 mm	90 mm
Brûleur rapide	240 - 280 mm	90 mm
Brûleur à wok	240 - 320 mm	160 mm

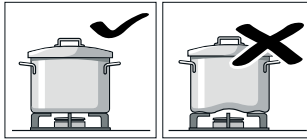
Il convient de ne pas utiliser de casseroles dont le diamètre est inférieur à 90 mm et supérieur à 280 mm (320 mm pour le brûleur à wok). Si vous utilisez des casseroles plus grandes, respectez entre le récipient de cuisson et les éléments inflammables environnants une distance minimale de 50 mm. Entre la manette de commande ou le bandeau de commande et la casserole ou la poêle, respectez une distance d'au moins 50 mm. Il ne faut pas que le récipient de cuisson soit près du bandeau de commande.

## Conseils d'utilisation



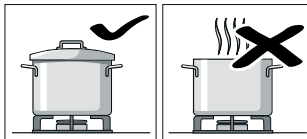
Utilisez des récipients de cuisson dont la taille est adaptée au brûleur.

N'utilisez pas de petits récipients de cuisson sur les grands brûleurs. La flamme ne doit pas remonter sur les côtés des récipients de cuisson.

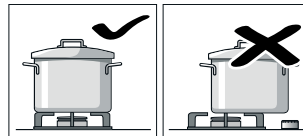


N'utilisez pas de récipients de cuisson déformés qui ne reposent pas bien à plat sur la table de cuisson. Les récipients peuvent basculer.

Utilisez seulement des récipients de cuisson à fond plat et épais.

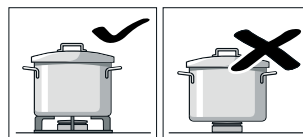


Ne faites pas cuire sans couvercle ou avec le couvercle mal positionné. Cela entraîne un important gaspillage d'énergie.



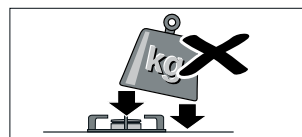
Centrez bien le récipient de cuisson au-dessus du brûleur, sinon il risque de basculer.

Ne placez pas de grandes casseroles sur les brûleurs situés près des commandes, ces dernières pourraient surchauffer et être endommagées.



Posez les casseroles sur les grilles porte-casseroles, jamais directement sur les brûleurs.

Avant utilisation, assurez-vous que les grilles porte-casseroles et les chapeaux des brûleurs à gaz sont bien en place.



Manipulez avec précaution les récipients se trouvant sur la table de cuisson.

Ne donnez pas de coups sur la table de cuisson et n'y posez pas d'objets lourds.

## Entretien et nettoyage

Dans ce chapitre, vous trouverez des conseils et astuces pour bien entretenir et nettoyer votre table de cuisson.



### **AVERTISSEMENT : Risque de brûlure :**

L'appareil chauffe pendant son fonctionnement. Avant de nettoyer l'appareil, il faut le laisser refroidir.



### **AVERTISSEMENT : Risque de choc électrique :**

Pour nettoyer l'appareil, ne pas utiliser de nettoyeur haute pression ni de nettoyeur à vapeur.

## Nettoyage de l'appareil

Nettoyez l'appareil après chaque utilisation, une fois qu'il a refroidi. Éliminez sans attendre les liquides qui ont débordé, ne laissez pas brûler les résidus alimentaires.

Assurez-vous que les aérations se trouvant à l'arrière de l'appareil sont toujours propres. Il ne faut pas masquer ces aérations.

Après une utilisation prolongée, les éléments des brûleurs (chapeau, bague et tête) perdent leur couleur claire et se foncent sous l'effet de l'oxydation naturelle. Ce changement de couleur n'a aucun effet sur la valeur d'usage de l'appareil.

Nettoyage de la table de cuisson à gaz

- 1 Soulevez d'abord une grille porte-casseroles latérale avec les deux mains, puis retirez les deux autres.

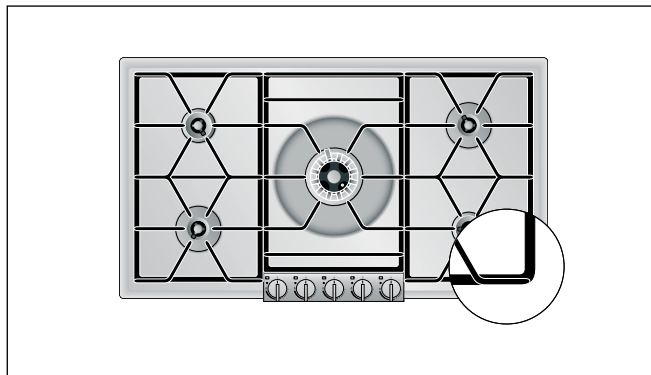


**ATTENTION :** La table peut se rayer.

- 2 Retirez le chapeau, les bagues et la tête des brûleurs. Nettoyez les éléments de brûleurs seulement lorsqu'ils sont froids !
- 3 Faites tremper les endroits brûlés avec un peu d'eau et de produit à vaisselle de façon que les salissures les plus tenaces se décollent. N'utilisez ni produits à récurer ni éponges à gratter.
- 4 Pour nettoyer la table, utilisez le minimum d'eau.. Il ne faut pas que de l'eau pénètre dans les parties inférieures des brûleurs.
- 5 Le dégagement de chaleur peut provoquer l'apparition de petites décolorations à la surface de l'inox. Ne frottez pas à ces endroits, car cela risque d'endommager la surface. Répartissez une

mince couche de nettoyant pour inox sur la table (mais pas sur le bandeau de commande !). Vous obtiendrez ainsi une surface uniforme et votre table de cuisson restera belle longtemps.

- 6 Séchez les éléments des brûleurs. Mettez l'appareil en marche seulement si les pièces sont sèches. Si les éléments des brûleurs sont encore humides, l'allumage risque d'être perturbé et les flammes d'être instables.
- 7 Lors du remontage, posez la bague et la tête sur le brûleur de façon que les ergots pénètrent bien dans les évidements prévus à cet effet. Assurez-vous que les éléments du brûleur sont en place, en particulier bien d'aplomb.
- 8 **Important :** Reposez d'abord la grille porte-casseroles du milieu (assurez-vous de son centrage au-dessus du brûleur), puis les grilles porte-casseroles latérales. Les angles arrondis des grilles latérales doivent être tournés vers le côté (voir la figure).

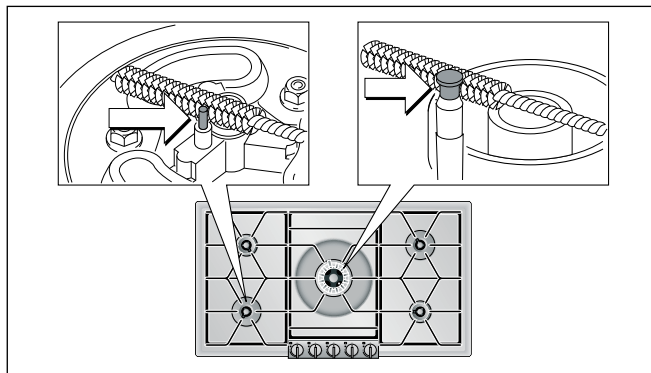


Partie de l'appareil/ surface	Nettoyage recommandé
Surfaces en inox	<p>Appliquez du produit à vaisselle avec un chiffon doux et humide ; sécher avec un chiffon doux. Utilisez seulement un peu d'eau pour le nettoyage, il ne faut pas que de l'eau puisse pénétrer dans l'appareil.</p> <p>Pour les salissures tenaces ou les décolorations provoquées par la chaleur, vous pouvez acheter à votre distributeur spécialisé ou à notre service après-vente un nettoyeur spécial pour inox (référence 464524).</p>
Grille porte-casseroles	<p>Pour nettoyer la grille, enlevez celle-ci avec précaution. Faites tremper dans l'évier. Nettoyez à la brosse et au produit à vaisselle.</p> <p>Au niveau des tampons en caoutchouc, nettoyez avec précaution afin de ne pas les décoller.</p> <p>Rincez à l'eau claire et séchez soigneusement avant de remettre en place.</p> <p><b>Ne jamais nettoyer au lave-vaisselle !</b></p>
Chapeau, bague et tête de brûleur (laiton)	<p>Éliminez les salissures grossières avec un chiffon humide et du produit à vaisselle. Pour retrouver le brillant métallique d'origine, polissez avec un polish à laiton.</p> <p>Veillez à ce que les orifices ne soient pas bouchés. Faites bien attention à ne pas perdre de petites pièces.</p> <p><b>Ne jamais nettoyer au lave-vaisselle !</b></p>
Tête du brûleur à wok (fonte émaillée)	<p>Nettoyez à la brosse et au produit à vaisselle et séchez à fond avant de remonter.</p> <p><b>Ne jamais nettoyer au lave-vaisselle !</b></p>
Bandeau de commande	<p>Nettoyez avec un chiffon doux et humide et un peu de produit à vaisselle ; il ne faut pas que le chiffon soit trop humide. Séchez avec un chiffon doux.</p>
Manettes de commande	<p>Nettoyez avec un chiffon doux et humide et un peu de produit à vaisselle ; il ne faut pas que le chiffon soit trop humide.</p> <p><b>⚠ ATTENTION : Dommages causés à l'appareil :</b> Pour le nettoyage, ne pas démonter les manettes de commande.</p>

## Nettoyage de l'électrode

L'encrassement de l'électrode peut provoquer des incidents d'allumage ou de surveillance de flamme.

Si nécessaire, nettoyez avec la brosse jointe. L'électrode est fragile, nettoyez-la avec précaution, ne la tordez pas et ne l'endommagez pas. **Pendant le nettoyage, n'allumez pas la table de cuisson.**



## Salissures brûlées

Pour enlever les salissures brûlées difficiles à éliminer, vous pouvez commander auprès de votre distributeur spécialisé ou de notre service après-vente un gel de nettoyage pour grills (référence 463582). Il convient pour les grilles porte-casseroles, les pièces des brûleurs et la table en inox. Si nécessaire, laissez le produit agir pendant la nuit. Respectez les instructions figurant sur le produit nettoyant.

## Décoloration des brûleurs

Après une utilisation prolongée, la couleur des brûleurs (chapeau, bague et tête) fonce en raison de l'oxydation naturelle. Pour faire disparaître cette coloration, procédez de la manière suivante :

- 1 Préparez une solution composée de parts égales de vinaigre blanc à 8% d'acide maximum (vinaigre alimentaire courant) et d'eau chaude.
- 2 Plongez les éléments décolorés des brûleurs dans la solution pendant 10 minutes au maximum. Éliminez les taches tenaces avec un chiffon ou une éponge.
- 3 Ensuite, rincez soigneusement les éléments des brûleurs à l'eau claire et séchez-les bien avant de les réutiliser.

**⚠ ATTENTION :** La surface des pièces peut être endommagée si la solution est trop concentrée ou si les éléments restent trop longtemps en contact avec le vinaigre !

## N'utilisez pas ces produits nettoyants

- Produits abrasifs ou agressifs
- Évitez tout contact de nettoyants contenant de l'acide (vinaigre, acide citrique, etc.) avec le cadre ou le bandeau

- Nettoyants chlorés ou alcoolisés
- Produit pour four en bombe aérosol
- Éponges à vaisselle dures, abrasives, brosses ou tampons à récurer
- Rincez soigneusement les éponges et lavettes neuves avant de les utiliser.

## Remédier aux anomalies

Dans de nombreux cas, vous pourrez remédier vous-même facilement aux anomalies. Avant de contacter le service après-vente, veuillez respecter les consignes suivantes.

Anomalie	Cause possible	Solution
Le brûleur ne s'allume pas à la mise en marche, les voyants sont éteints.	Pas d'alimentation électrique.	Mettez la manette à 0. Vérifiez sur le tableau électrique si le coupe-circuit a réagi.
Le brûleur ne s'allume pas à la mise en marche, le voyant du brûleur en marche clignote.	Anomalie du brûleur ou de l'alimentation en gaz.	Mettez la manette à 0. <b>Contrôlez :</b> <ul style="list-style-type: none"> <li>● les éléments du brûleur sont-ils bien en place ?</li> <li>● le robinet d'arrivée du gaz est-il ouvert ?</li> <li>● le brûleur est-il bien sec et bien propre ?</li> <li>● air dans le tuyau après le premier branchement ou un changement de bouteille (gaz liquéfié) ?</li> <li>● bouteille de gaz vide (gaz liquéfié) ?</li> </ul>
Le brûleur s'éteint pendant la marche, les voyants s'éteignent, seul le voyant du brûleur concerné continue à clignoter pendant quelques secondes.	Anomalie du brûleur ou de l'alimentation en gaz.	Mettez toutes les manettes à 0. <b>Attendez que l'appareil ait refroidi !</b> <b>Sur ce brûleur, vérifiez les points suivants :</b> <ul style="list-style-type: none"> <li>● les éléments du brûleur sont-ils bien en place ?</li> <li>● électrode encrassée (résidus alimentaires) ou humide ?</li> <li>● brûleur encrassé par des aliments ayant débordé ?</li> <li>● fort courant d'air (exemple : fenêtre ouverte juste derrière la table de cuisson à gaz) ?</li> <li>● bouteille de gaz vide (gaz liquéfié) ?</li> </ul>
Les brûleurs s'éteignent pendant la marche, les voyants s'éteignent.	Panne d'électricité	Mettez toutes les manettes à 0. Contrôlez l'alimentation électrique. Après une panne d'électricité, le réallumage n'est pas automatique.
Les brûleurs s'éteignent pendant la marche, tous les voyants clignent.	Protection contre la surchauffe	Mettez toutes les manettes à 0. Attendez que les voyants ne clignent plus.
Une odeur de gaz se fait sentir dans la cuisine.	Rechercher la fuite éventuelle sur le raccord de la bouteille de gaz.	Vérifier l'étanchéité du raccord de la bouteille de gaz.

---

## Service après-vente

---

Si votre appareil doit être réparé, notre service après-vente est à votre disposition. Nous trouvons toujours une solution adaptée, y compris pour éviter les visites inutiles de techniciens.

Lors de votre appel, indiquez le numéro du produit (n° E) et le numéro de série (n° FD) afin que nous puissions vous donner une réponse précise. La plaquette d'identification comportant ces numéros se trouve sur le dessous de l'appareil. Pour ne pas avoir à chercher longtemps en cas de besoin, vous pouvez inscrire ici les références de l'appareil et le numéro de téléphone du service après-vente.

---

N° E

N° FD

---

**Service après-vente** ☎

---

N'oubliez pas qu'en cas de fausse manœuvre, la visite d'un technicien d'après-vente n'est pas gratuite, même pendant la garantie.

Vous trouverez les données de contact pour tous les pays dans l'annuaire ci-joint du service après-vente.

### **Commande de réparation et conseils en cas de dérangements**

**CA** 800 828 9165

Faites confiance à la compétence du fabricant. Vous garantissez ainsi que la réparation sera effectuée par des techniciens formés qui possèdent les pièces de rechange d'origine pour votre appareil.

---

## Emballage et appareils hors d'usage

---

L'emballage des appareils neufs et les appareils usagés contiennent des matières premières précieuses et d'autres matières valorisables.

Veillez éliminer les différents éléments après les avoir triés.

Pour savoir quelles sont les possibilités d'élimination dont vous disposez, contactez votre distributeur spécialisé ou bien les services concernés de votre commune.

---

## Contenido

---

<b>INSTRUCCIONES DE SEGURIDAD IMPORTANTES</b>	<b>32</b>
Seguridad para evitar incendios	33
Seguridad con el gas	33
Prevención de quemaduras	34
Seguridad de los niños	35
Seguridad en la limpieza	35
Seguridad en los utensilios de cocina	35
Instalación y mantenimiento adecuados	36
<b>Su aparato nuevo</b>	<b>37</b>
Placa de cocción a gas	37
Maneta de mando	37
Accesorios especiales	37
Estructura del quemador	38
Funcionamiento	38
<b>Ajustar la placa de cocción</b>	<b>39</b>
Conectar	39
Indicador de funcionamiento	39
Controlador electrónico de llamas y reencendido automático	39
Apagar	40
<b>Tabla de ajuste y consejos</b>	<b>40</b>
Consejos para cocer y asar	40
Consejos acerca del Wok	41
<b>Indicaciones sobre las cazuelas</b>	<b>41</b>
Ollas de adecuadas para cocer	41
Instrucciones de uso	41
<b>Cuidado y limpieza</b>	<b>42</b>
Limpiar el aparato	42
Limpieza del electrodo	43
Suciedad quemada y pegada	44
Coloración del quemador	44
No use los medios de limpieza siguientes	44
<b>Eliminar las fallas</b>	<b>45</b>
<b>Servicio de atención al cliente</b>	<b>46</b>
<b>Embalaje y aparatos viejos</b>	<b>46</b>
Evacuación ecológica	48

Encontrará más información sobre productos, accesorios, piezas de repuesto y servicios en internet: [www.gaggenau.com](http://www.gaggenau.com) y también en la tienda online: [www.gaggenau-eshop.com](http://www.gaggenau-eshop.com)



# INSTRUCCIONES DE SEGURIDAD IMPORTANTES

LEA Y CONSERVE ESTAS INSTRUCCIONES

**⚠ ADVERTENCIA: ⚠**

Si no sigue la información de este manual exactamente, se puede ocasionar un incendio o una explosión que pueden causar daños materiales, lesiones personales o la muerte.

No almacene ni utilice materiales combustibles, gasolina u otros vapores inflamables ni líquidos en la cercanía de

este o de cualquier otro electrodoméstico.

**QUÉ HACER SI SIENTE OLOR A GAS:**

- No intente encender ningún electrodoméstico.
- No toque ningún interruptor eléctrico.
- No utilice ningún teléfono que se encuentre en su edificio.
- Llame a su proveedor de gas de inmediato desde el teléfono de un vecino. Siga las instrucciones del proveedor de gas.
- Si no puede comunicarse con su proveedor de gas, llame al departamento de bomberos.

La instalación y el servicio técnico deben ser realizados por un instalador calificado, una agencia de servicio técnico autorizada o por el proveedor de gas.





# INSTRUCCIONES DE SEGURIDAD IMPORTANTES

## LEA Y CONSERVE ESTAS INSTRUCCIONES

### Seguridad para evitar incendios

Conserve estas instrucciones.

Programe el control de la hornilla, de manera que la llama no se extienda fuera de la base de la olla.

No deje que papel de aluminio, plástico, papel o tela entren en contacto con una hornilla o una rejilla calientes. No deje ollas hirviendo sin líquido.

Si la placa está cerca de una ventana, una ventilación o un ventilador de aire forzado, asegúrese de que los materiales inflamables, como los elementos utilizados para cubrir una ventana, no se aproximen a las hornillas o a los elementos ni se extiendan sobre estos. Podrían prenderse fuego.

Siempre tenga un detector de humo en funcionamiento cerca de la cocina.

Nunca deje la placa sin vigilancia cuando esté en uso. Los derrames por hervor causan humo y las salpicaduras grasosas pueden prenderse fuego.



#### **AVISO: PARA REDUCIR EL RIESGO DE INCENDIO OCASIONADO POR GRASA:**

- a) Nunca deje las unidades de la superficie sin vigilancia a valores altos. Los derrames por hervor causan humo y salpicaduras grasosas que pueden prenderse fuego. Caliente los aceites despacio, a valores bajos o medianos.
- b) Siempre encienda la campana al cocinar a un valor de calor alto o al flambeo alimentos (p. ej., Crepas Suzette, cerezas Jubilee, carne flambeada con granos de pimienta).
- c) Limpie los ventiladores extractores con frecuencia. No se debe permitir la acumulación de grasa en los ventiladores ni en los filtros.
- d) Use el tamaño adecuado de olla. Siempre use utensilios de cocina apropiados para el tamaño del elemento de la superficie.

En el caso de que su ropa se prenda fuego, arrójese al piso y ruede de inmediato para extinguir las llamas.

Sofoque las llamas provocadas por alimentos que se prenden fuego, que no sean incendios ocasionados por grasa, con bicarbonato de sodio. Nunca use agua en incendios ocasionados al cocinar.

Tenga cuidado de que las corrientes de aire como las que producen los ventiladores o las ventilaciones de aire forzado no empujen las llamas de manera que se extiendan fuera de los bordes de la olla.

Tenga un extinguidor de incendio disponible, cerca, en un área fácilmente visible y accesible, cerca del electrodoméstico.



#### **AVISO: PARA REDUCIR EL RIESGO DE LESIONES A PERSONAS EN CASO DE INCENDIO OCASIONADO POR GRASA, SIGA ESTAS INDICACIONES:**

- a) **SOFOQUE LAS LLAMAS** con una tapa que ajuste correctamente, una placa para galletas u otra bandeja de metal, luego, apague el electrodoméstico. **ASEGÚRESE DE PREVENIR LAS QUEMADURAS.** Si las llamas no se apagan de inmediato, **EVACUE EL ÁREA Y LLAME AL DEPARTAMENTO DE BOMBEROS.**
- b) **NUNCA LEVANTE UNA OLLA EN LLAMAS.** Puede quemarse.
- c) **NO USE AGUA**, ni repasadores o toallas húmedos. Puede ocasionar una violenta explosión por vapor.
- d) Use un extinguidor sólo si:
  - Sabe que tiene un extinguidor CLASE ABC y ya sabe cómo usarlo.
  - El incendio es pequeño y se limita al área donde se originó.
  - Alguien llamó al departamento de bomberos.
  - Puede combatir el incendio de espaldas a una salida.

Si es posible, no ponga el sistema de ventilación en funcionamiento si hay un incendio en la placa. Pero no atraviese el fuego con la mano para apagarla.

### Seguridad con el gas

Para prevenir la acumulación de monóxido de carbono, no bloquee los orificios de ventilación del electrodoméstico.

Haga que el instalador le muestre dónde está ubicada la válvula de paso de gas.


Para un funcionamiento adecuado de la hornilla, mantenga los encendedores limpios y secos.

# INSTRUCCIONES DE SEGURIDAD IMPORTANTES


## LEA Y CONSERVE ESTAS INSTRUCCIONES

Si se apaga una hornilla y se escapa gas, abra las ventanas y las puertas. Espere hasta que el gas se disipe antes de utilizar el electrodoméstico.


**ADVERTENCIA DE SEGURIDAD IMPORTANTE:** La combustión de gas como combustible para cocinar genera algunos subproductos que se encuentran en la lista de sustancias que el estado de California sabe causan cáncer o daños reproductivos. Para minimizar la exposición a estas sustancias, siempre haga funcionar esta unidad según las instrucciones que contiene este manual y permita una buena ventilación.


 **AVISO:** Todos los encendedores producen chispas cuando se enciende cualquiera de las hornillas. No toque ninguna de las hornillas cuando la placa está en uso.


Si siente olor a gas, su instalador no ha verificado adecuadamente que no haya fugas. Si las conexiones no se encuentran perfectamente apretadas, puede haber una pequeña fuga y, por lo tanto, un olor leve. Encontrar una fuga de gas no es un procedimiento "para que realice usted solo". Algunas fugas sólo pueden detectarse con el control de la hornilla en la posición ON (Encendido) y esto debe realizarlo un técnico de servicio calificado. Vea Advertencia, página 1.


 **AVISO:** Para prevenir llamaradas, todas las rejillas deben estar bien ubicadas en la placa cuando la placa está en uso. Cada una de las patas debe estar colocada en los hoyuelos correspondientes de la placa. No utilice una rejilla si faltan las patas de hule o están dañadas.

Mantenga los agujeros del encendedor limpios, a fin de asegurar que las hornillas se enciendan de manera adecuada. Es necesario limpiarlos cuando se produce un derrame por hervor o cuando la hornilla no enciende aunque los encendedores eléctricos hacen clic.

 **AVISO:** Para prevenir llamaradas, no utilice la placa sin todas las tapas de la hornilla y con todas las rejillas de la hornilla bien ubicadas.

 **AVISO:** No limpie ni toque ninguna hornilla cuando se esté usando una hornilla con un valor de calor extrabajo (si viene incorporada). Cuando la hornilla con un valor de calor extrabajo vuelva a prenderse fuego automáticamente, el encendedor que se encuentra en la hornilla producirá chispas.

 **AVISO:** Utilice este electrodoméstico sólo para su uso previsto, según se describe en este manual. NUNCA utilice este electrodoméstico como calentador de ambiente para calentar o calefaccionar la habitación. Hacerlo puede ocasionar intoxicación por monóxido de carbono y calentamiento excesivo del electrodoméstico. Nunca utilice el electrodoméstico para almacenar objetos.

 **AVISO:** NUNCA cubra ranuras, orificios ni conductos en la parte inferior del horno ni cubra toda una rejilla con materiales como papel de aluminio. Al hacerlo, se bloquea el flujo de aire a través del horno y esto podría causar intoxicación por monóxido de carbono. Los revestimientos de papel de aluminio también pueden atrapar el calor y causar un peligro de incendio.

## Prevención de quemaduras

**NO TOQUE LAS UNIDADES DE LAS SUPERFICIES NI LAS ÁREAS CERCANAS A LAS UNIDADES.** Las unidades de la superficie pueden estar calientes, aunque su color sea oscuro. Las áreas cercanas a las unidades de la superficie pueden calentarse lo suficiente como para ocasionar quemaduras. Durante el uso y con posterioridad, no toque las unidades de la superficie o áreas cercanas a las unidades, ni deje que su ropa, agarradores ni otros materiales inflamables entren en contacto con estos hasta que haya transcurrido el tiempo suficiente para que se enfríen. Entre estas áreas, se encuentran la placa y las áreas que miran hacia la placa.

No caliente recipientes de alimentos sin abrir. La acumulación de presión puede hacer explotar el recipiente y causar lesiones.

Siempre encienda la campana al cocinar a un valor de calor alto o al flambear alimentos (p. ej., Crepas Suzette, cerezas Jubilee, carne flambeada con granos de pimienta).

Use valores de calor altos en la placa sólo cuando sea necesario. Para evitar burbujas y salpicaduras, caliente el aceite despacio, a un valor bajo-mediano, como máximo. El aceite caliente puede provocar quemaduras y lesiones de extrema gravedad.

Nunca mueva un recipiente con aceite caliente, especialmente una freidora. Espere hasta que se haya enfriado.



# INSTRUCCIONES DE SEGURIDAD IMPORTANTES

## LEA Y CONSERVE ESTAS INSTRUCCIONES

Sujétese todas las prendas, etc. antes de comenzar. Sujétese el cabello largo de manera que no quede suelto, y no use prendas holgadas o sueltas, como corbatas, bufandas, joyas o mangas amplias.

### Seguridad de los niños

Cuando los niños tienen la edad adecuada para utilizar el electrodoméstico, es responsabilidad legal de los padres o tutores legales asegurarse de que reciban las instrucciones sobre prácticas seguras por parte de personas calificadas.

No deje que nadie se suba, pare, incline, sienta o cuelgue de cualquier parte de un electrodoméstico, especialmente una puerta, cajón calentador o cajón para almacenamiento. Esto puede dañar el electrodoméstico, y la unidad puede caerse y, posiblemente, causar lesiones graves.

No permita que niños utilicen este electrodoméstico, a menos que sean supervisados de cerca por un adulto. Los niños y las mascotas no deben quedar solos o sin vigilancia en el área donde se utilice el electrodoméstico. Nunca se les debe permitir jugar cerca del electrodoméstico, independientemente de que esté en funcionamiento o no.



**ATENCIÓN:** Los objetos de interés para niños no deben almacenarse en un electrodoméstico, en gabinetes sobre un electrodoméstico ni en la placa antisalpicaduras. Si los niños se suben a un electrodoméstico para alcanzar estos objetos, podrían sufrir lesiones graves.

### Seguridad en la limpieza

**ADVERTENCIA DE SEGURIDAD IMPORTANTE:** la Ley de Aplicación de Reglamentación sobre Agua Potable Segura y Sustancias Tóxicas de California (California Safe Drinking Water and Toxic Enforcement Act) exige al Gobernador de California publicar una lista de sustancias que el estado sabe causan cáncer, defectos congénitos u otros daños reproductivos, y exige a las empresas advertir a los clientes de la posible exposición a dichas sustancias. La combustión de gas como combustible para cocinar y la eliminación de residuos durante el proceso de autolimpieza pueden generar algunos subproductos que se encuentran en la lista. Para minimizar la exposición a estas sustancias, siempre haga funcionar esta unidad según las instrucciones que contiene este manual y permita una buena ventilación.



**AVISO:** La combustión de gas como combustible para cocinar puede generar pequeñas cantidades de monóxido de carbono, benceno, formaldehído y hollín. Para minimizar la exposición a estas sustancias, las hornillas deben ser ajustadas por un instalador o una agencia certificados, a fin de asegurar la combustión adecuada. Asegure una ventilación adecuada con una ventana abierta o utilice un ventilador o una campana de ventilación al cocinar con gas. Siempre haga funcionar la unidad según las instrucciones de este manual.

No bloquee la(s) ventilación (ventilaciones) del horno durante el ciclo de autolimpieza. Siempre haga funcionar la unidad según las instrucciones de este manual.

Después de un derrame o derrame por hervor, apague la hornilla y deje que la placa se enfríe. Limpie alrededor de la hornilla y de los agujeros de la hornilla. Después de limpiar, verifique que funcione de manera adecuada.

### Seguridad en los utensilios de cocina

Sostenga el mango de la olla cuando revuelva o dé vuelta los alimentos. Esto ayuda a evitar salpicaduras y a prevenir el movimiento de la olla.

Utilice el tamaño de olla adecuado. El uso de utensilios de cocina más pequeños deja expuesta al contacto directo una parte del elemento de calentamiento o de la hornilla, y puede ocasionar la ignición de la ropa. Seleccione utensilios de cocina con bases planas y lo suficientemente grandes para que cubran la unidad de calentamiento de la superficie. Este electrodoméstico está equipado con una o más unidades de superficie de diferente tamaño. La proporción correcta del utensilio de cocina con respecto al elemento de calentamiento o la hornilla también aumenta la eficiencia.

Siempre coloque los mangos de los utensilios hacia adentro, de manera que no se extiendan sobre las áreas de trabajo adyacentes ni sobre el borde de la placa. Esto reduce el riesgo de incendios, derrames y quemaduras.



# INSTRUCCIONES DE SEGURIDAD IMPORTANTES

## LEA Y CONSERVE ESTAS INSTRUCCIONES

Ajuste el tamaño de la llama de la hornilla, de manera que no se extienda fuera del borde de los utensilios de cocina. La proporción correcta del utensilio de cocina con respecto a la llama de la hornilla reduce los riesgos de seguridad.

### Instalación y mantenimiento adecuados

Pídale al instalador que le muestre la ubicación del disyuntor o el fusible. Márquela para recordarla más fácilmente.

Este electrodoméstico debe ser correctamente instalado y conectado a tierra por un técnico calificado. Conéctelo sólo a una toma de corriente eléctrica correctamente conectada a tierra. Para obtener más información, consulte las Instrucciones de instalación.

Este electrodoméstico ha sido diseñado para uso doméstico normal únicamente. No está aprobado para uso en exteriores. Consulte la garantía. Si tiene alguna pregunta, comuníquese con el fabricante.

No almacene ni utilice productos químicos corrosivos, vapores, materiales inflamables ni productos no alimenticios dentro de este electrodoméstico ni cerca de él. Está específicamente diseñado para calentar o cocinar alimentos. El uso de productos químicos corrosivos al calentar o limpiar dañará el electrodoméstico y podría causar lesiones.



**AVISO:** No hacer funcionar bien las perillas puede ocasionar lesiones personales y daños al electrodoméstico.

No utilice este electrodoméstico si no funciona correctamente o si ha sido dañado. Comuníquese con un centro de servicio técnico autorizado.

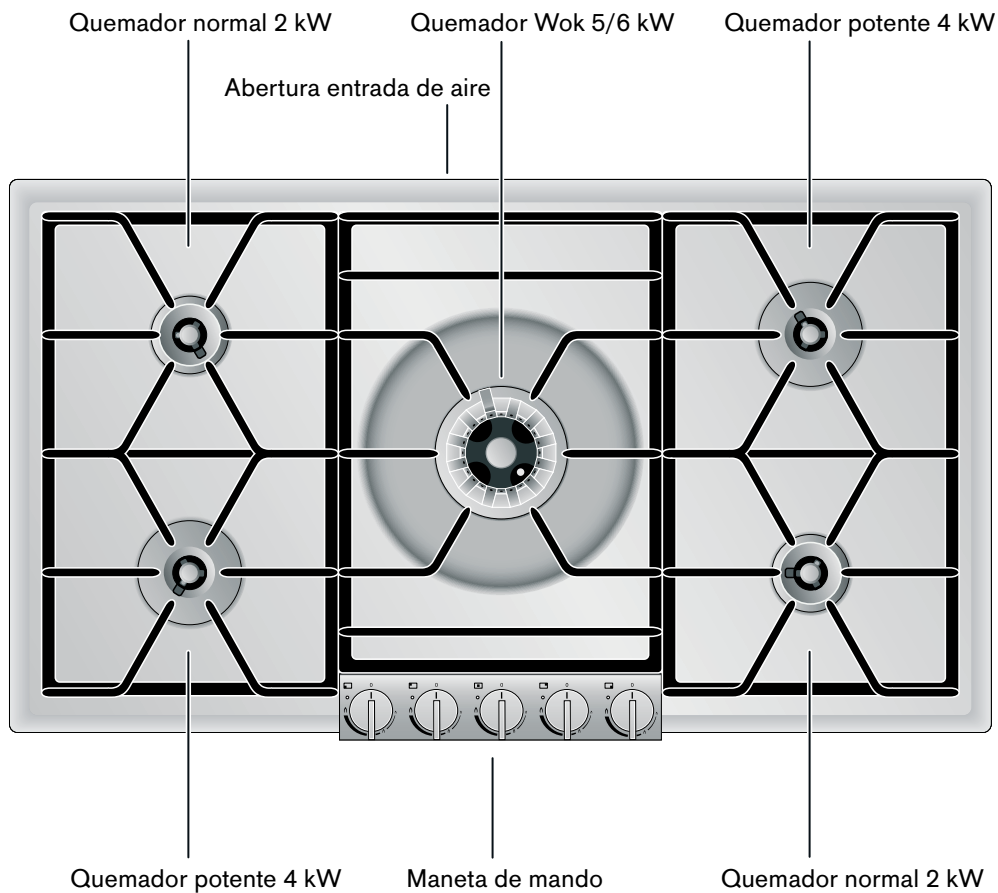
No repare ni cambie ninguna parte del electrodoméstico, a menos que se recomiende específicamente en este manual. Remita todas las reparaciones a un centro de servicio técnico autorizado por la fábrica.

Para evitar un peligro de descarga eléctrica, antes de reparar el electrodoméstico, apague la alimentación eléctrica en el panel de servicio y trabe el panel para impedir que se encienda accidentalmente.

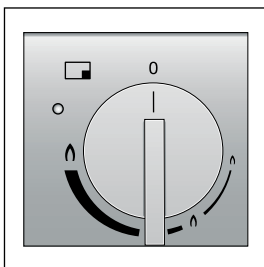
## Su aparato nuevo

Aquí aprende a familiarizarse con su aparato nuevo además de obtener información acerca del accesorio.

### Placa de cocción a gas



### Maneta de mando



Las marcas en la maneta de mando muestra la asignación con el quemador correspondiente y el ajuste desde fuego pequeño hasta fuego grande. El ajuste es sin escalonamiento.

### Accesorios especiales

En su comerciante especializado, puede adquirir el accesorio indicado a continuación:

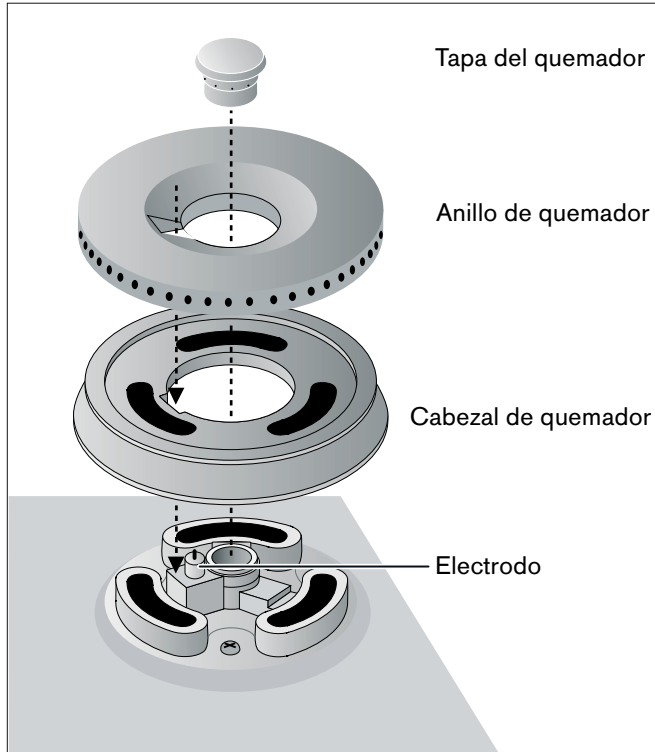
- **WP 400 001**  
Sartén Wok de material multicapa. Con fondo abombado y mango, Ø 36 cm, 6 Litros, Altura 10 cm.

Utilice el accesorio tal como se ha prescrito. El fabricante no se hace responsable por un uso incorrecto.

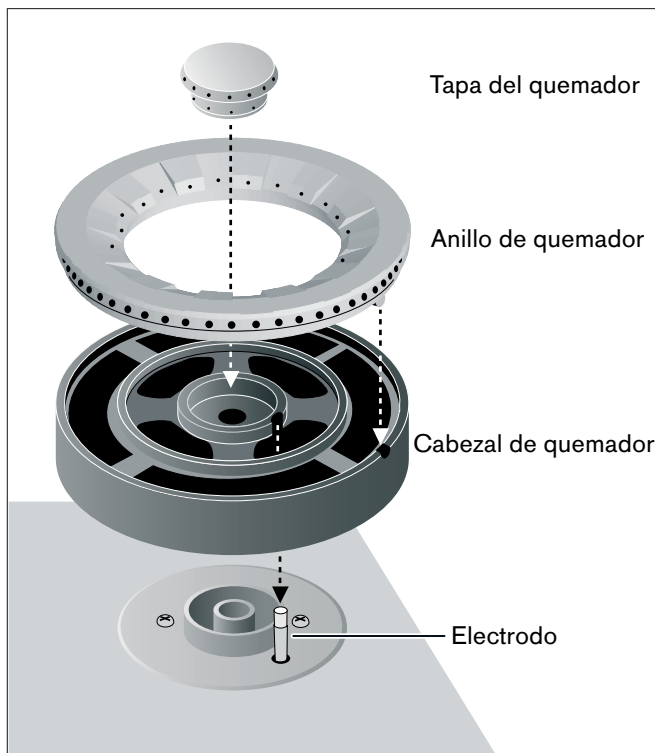
## Estructura del quemador

Colocar las piezas del quemador en la posición correcta y rectas, ya que de lo contrario podrían producirse problemas al encender o durante el funcionamiento del quemador. Las pestañas deben encajar en las entalladuras correspondientes.

### Estructura de un quemador normal / potente



### Estructura de un quemador Wok

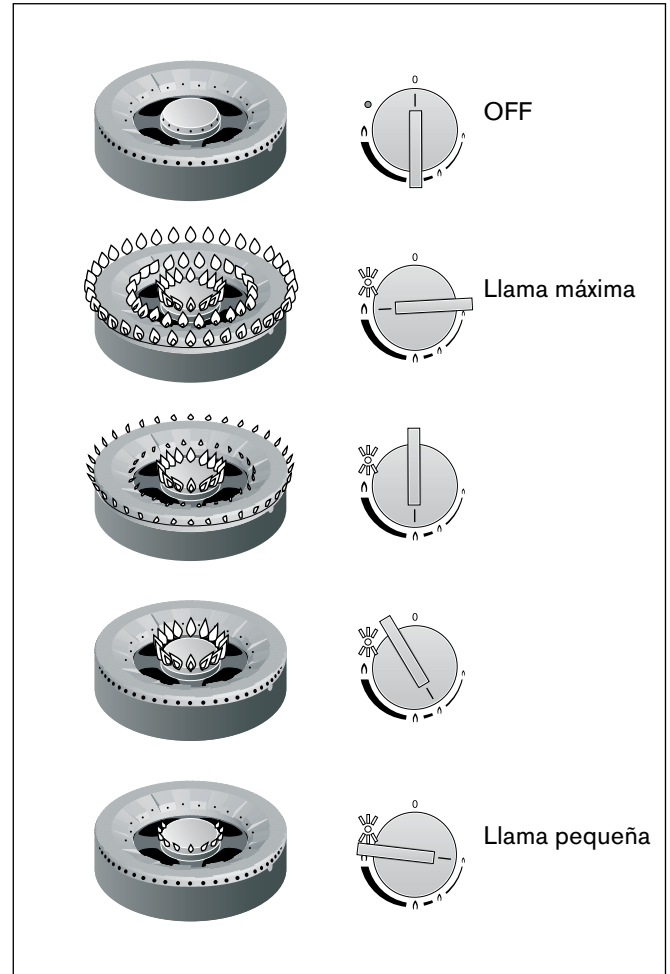


## Funcionamiento

La placa de cocción de gas está compuesta por dos quemadores normales (dos círculos de llamas), dos quemadores potentes (dos círculos de llamas) y un quemador Wok (tres círculos de llamas).

El aparato está equipado con un sistema de control de una mano, encendido rápido automático, controlador electrónico de llamas y reencendido automático.

Al girar la maneta de mando se acciona el encendido. La potencia de la llama se puede regular de forma continua entre fuego pequeño y fuego grande.



## Ajustar la placa de cocción

Las marcas situadas en las manetas de mando indican la posición del quemador respectivo así como la potencia desde llama pequeña hasta llama grande. La potencia es de graduación continua.

### Notas

- Encender los fogones sólo si están colocados los soportes para ollas y todas las piezas del quemador correctamente.
- El quemador y el electrodo de encendido deberá estar siempre limpio y seco.
- Utilizar sólo el accesorio prescrito. No cubrir la encimera de acero inoxidable (p. ej. con lámina de aluminio).
- No tape los orificios de ventilación que hay en la parte posterior de la placa de cocción a gas.



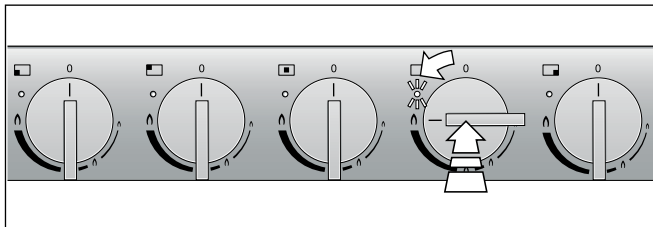
### **ATENCIÓN: Daños en la campana extractora a causa del calor:**

Ponga en marcha la campana extractora cuando la placa de cocción a gas esté encendida. Si se utilizan varios puntos de cocción, seleccione la velocidad correspondiente para la campana extractora. Asegúrese de que haya suficiente aire.

## Conectar

La placa de cocción a gas dispone de un encendido rápido automático.

- 1 Coloque un recipiente apropiado sobre el quemador elegido.
- 2 Presione la maneta de mando elegida y gírela hacia la izquierda a la posición deseada. El quemador enciende automáticamente.



Girando lentamente la maneta de mando puede ajustar de modo continuo el tamaño de llama entre graduación pequeña y graduación grande.

### Notas

- Si ha puesto cazuelas grandes en el punto de cocción, deberá encender un fuego pequeño.

- Cada vez que se pone en marcha la placa de cocción de gas, el sistema electrónico realiza un autodiagnóstico. Todos los electrodos se encienden y el quemador deseado se enciende unos pocos segundos después. Si pone en marcha otro quemador, únicamente se enciende el electrodo correspondiente.
- • Al encenderse la placa de cocción de gas la electrónica abre el suministro de gas, en este proceso se escucha un breve ruido. Esto es normal.
- En caso de producirse un corte de corriente, el aparato no funcionará.

## Indicador de funcionamiento

El indicador de funcionamiento que hay junto a la maneta de mando se ilumina cuando el quemador está en marcha y la llama está encendida. Cuando se produce un problema, el indicador de funcionamiento destella.

## Controlador electrónico de llamas y reencendido automático

La placa de cocción va dotada para su seguridad con un controlador electrónico de llamas. Si se apaga la llama durante el funcionamiento (p. ej. debido una corriente de aire) el aparato enciende el quemador de nuevo automáticamente.

Si la operación de reencendido no tiene éxito (p.ej. porque el quemador está sucio por derrames de cocción), el aparato apaga todos los quemadores y destellan los indicadores de funcionamiento de los puntos de cocción que están en marcha.

Gire todas las manetas de mando a 0. Los indicadores de funcionamiento se apagarán hasta el indicador del quemador afectado, que continuará destellando durante unos segundos.

Espere a que el aparato se haya enfriado suficientemente y, acto seguido, compruebe si todas las piezas del quemador en cuestión están bien colocados. Compruebe si el quemador o el electrodo presentan suciedad (véase la tabla de anomalías).

**Nota:** Cuando se produce un problema en un quemador los demás se pueden continuar utilizando, aunque primero se deben girar todas las manetas de mando a 0.

### **Para encender el aparato a fuego fuerte cuando esté frío, tenga presente lo siguiente:**

Dependiendo del tipo de gas utilizado y de la presión del gas, es posible que el electrodo se encienda aunque ya haya presente una llama y que luego se apague. Gire todas las manetas de mando a 0. Acto

seguido, gire la maneta de mando del punto de cocción deseado a un posición inferior (no a fuego potente) y espere entre 30y 60 segundos hasta que el quemador se haya calentado. Ahora podrá utilizar el aparato de la forma habitual.

## Apagar

Gire la maneta de mando elegida hacia la derecha hasta el tope a la posición 0.

Cuando todas las manetas de mando se encuentran en la posición 0, el sistema electrónico del aparato cierra la alimentación de gas.

## Tabla de ajuste y consejos

Rango de ajuste	Métodos de cocción	Ejemplos
Llama máxima $\uparrow$	Cocción inicial	Agua
	Sofreír	Carne
	Calentar	Grasa, Líquidos
	Ebullición	Sopas, Salsas
	Escaldar	Verduras
Desde $\uparrow$ hasta $\uparrow$	Asado	Carne, Pescado, Patatas
	Hornear	Platos con harina, platos con huevo
	Cocción a fuego lento	Albóndiga de patata, Salchicha hervida, carne para cocidos
	Batir	Cremas, Salsas
	Continuar la cocción	Sopas, Patatas
	Cocción a vapor	Verdura, Pescado
	Rehogar	Verdura, Fruta, Pescado
	Asar a fuego lento	Estofado, Asado, Verdura
	Llama pequeña $\uparrow$	Descongelar
Hincharse		Arroz, Legumbres
Calentar		Sopas, Cocidos, Verduras en salsa

## Consejos para cocer y asar

Los valores de la tabla de ajuste son meramente orientativos, ya que según el tipo y estado de los alimentos, así como el tamaño y el nivel de llenado de la olla, puede ser necesario más o menos calor.

Debido a su elevada potencia la grasa y el aceite se calientan muy rápidamente. No deje los productos en cocción sin vigilancia, la grasa podría incendiarse y quemar el producto de asar.

Los alimentos que tienen que hervir más tiempo deben prepararse en las zonas de cocción posteriores.

Utilice para la cocción inicial, freír y sofreír grandes cantidades preferentemente el quemador potente o el quemador de Wok.



## Consejos acerca del Wok

Aconsejamos que utilicen sartenes Wok con fondo bombeado. Puede pedir una sartén Wok de alta calidad como accesorio especial bajo la referencia siguiente (WP 400 001).

Utilice para cocinar con la sartén Wok sólo aceite para alimentos resistente a temperaturas altas como p. ej. aceite de cacahuets.

Cocine los ingrediente con temperaturas elevadas agitándolas de modo continuo y durante poco tiempo. La verdura deberá estar aún crujiente.

Para agitar y extraer las comidas es recomendable un cucharón de palo largo de material termorresistente.

## Indicaciones sobre las cazuelas

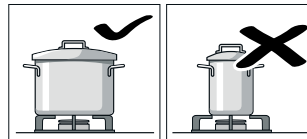
Las siguientes indicaciones le ayudarán a ahorrar energía y evitar daños en las cazuelas.

### Ollas de adecuadas para cocer

Quegador	Diámetro recomendado del fondo de la Olla	Diámetro mínimo del fondo de la Olla
Quegador normal	200 - 240 mm	90 mm
Quegador potente	240 - 280 mm	90 mm
Quegador Wok	240 - 320 mm	160 mm

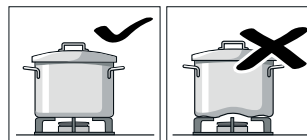
**No deben utilizarse cazuelas con un diámetro inferior a 90 mm o superior a 280 mm (320 mm para el quemador wok).** En caso de utilizarse cazuelas de mayor tamaño, se deberá dejar una distancia de como mínimo 50 mm entre el recipiente y los componentes inflamables. Entre la maneta de mando o el cuadro de mando y la cazuela o sartén debe dejarse una distancia de como mínimo 50 mm. El recipiente no se puede colocar junto al cuadro de mando.

## Instrucciones de uso



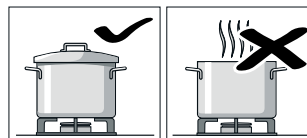
Utilice recipientes de cocción de tamaño apropiado al quemador correspondiente.

No utilice recipientes de cocción pequeños en un quemador grande. La llama no deberá tocar los laterales del recipiente de cocción.

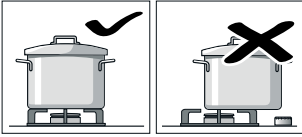


No utilice recipientes de cocción deformados que no asienten de forma estable sobre la placa de cocción. Los recipientes podrían volcar.

Utilice sólo recipientes de cocción con una base plana y gruesa.

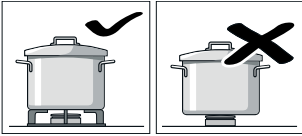


No cocine sin tapa o si se encuentra desplazada la tapa. Se derrocha gran parte de la energía.



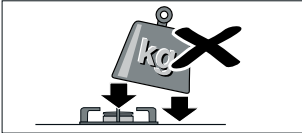
Coloque el recipiente de cocción en el centro por encima del quemador, de lo contrario podría volcar el recipiente.

No coloque las ollas grandes sobre el quemador cerca de los mandos. Estos podrían sobrecalentarse y por consiguiente dañarse.



Coloque las ollas sobre soporte de ollas y no directamente sobre los quemadores.

Cerciórese antes de su uso que el soporte de ollas y la tapa del quemador de gas asienten correctamente.



Manipule con precaución los recipientes colocados sobre la placa de cocción.

No golpee la placa de cocción ni coloque sobre ella elevados pesos.

## Cuidado y limpieza

En este capítulo encontrará consejos e indicaciones sobre un cuidado óptimo y limpieza de la placa de cocción.



### AVISO: Peligro de quemaduras:

El aparato se calienta cuando está en marcha. Antes de limpiar el aparato, dejar que se enfríe.



### AVISO: Peligro de descarga eléctrica:

No limpiar el aparato con un limpiador de alta presión o de vapor.

## Limpiar el aparato

Limpiar el aparato después de cada uso una vez enfriado. Retire los líquidos derramados, no permita que se incrusten los restos de los alimentos.

Mantenga limpias las ranuras de ventilación de la parte posterior del aparato. Las ranuras de ventilación no deben taparse.

Con el tiempo y el uso, la oxidación natural oscurece el color metálico claro de los quemadores (tapa, anillo y cabezal del quemador). El cambio de color no influye en su funcionalidad.

Limpiar la placa de cocción a gas:

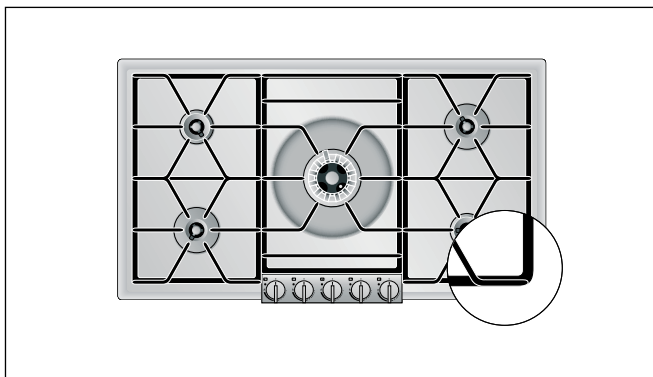
- 1 En primer color, levante un soporte para ollas lateral con las dos manos y, acto seguido, extraiga los dos otros soportes para ollas.



**ATENCIÓN:** La placa podría sufrir arañazos.

- 2 Extraiga la tapa, los anillos y el cabezal del quemador. ¡No limpie las piezas del quemador cuando estén calientes!
- 3 Deje ablandar los puntos quemados con un poco de agua y de detergente. De esta forma se deshará la suciedad más persistente. No utilice productos abrasivos ni esponjas que puedan rayar.
- 4 Limpie la placa con sólo un poco de agua. No debe penetrar agua en las piezas inferiores del quemador.
- 5 El calor también puede provocar coloración en la superficie de acero inoxidable. No intente eliminarla frotando, ya que la superficie resultaría dañada. Distribuya producto para el cuidado de acero inoxidable uniformemente sobre la placa de cocción (¡pero no en el panel de mando!). De esta forma, la superficie se mantendrá uniforme y la placa conservará su buen aspecto durante mucho tiempo.

- 6 Seque las piezas del quemador. No ponga en marcha el aparato si las piezas no están completamente secas. Si las piezas del quemador están húmedas, podrían producirse problemas de encendido (por ejemplo inestabilidad en la llama).
- 7 Cuando monte el anillo y el cabezal, colóquelos sobre el quemador de forma que las pestañas encajen en las escotaduras correspondientes. Preste atención a que las piezas del quemador estén colocadas en la posición correcta y rectas.
- 8 **Importante:** En primer lugar, vuelva a montar el soporte para ollas central (preste atención a que quede bien centrado sobre el quemador) y luego los laterales. Las esquinas redondeadas del soporte para ollas lateral deben mirar hacia el lado (véase la ilustración).



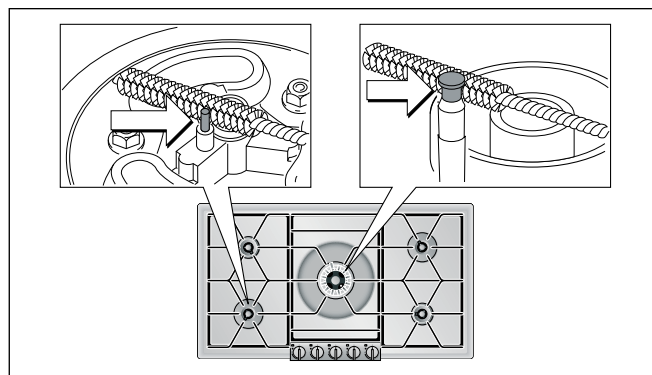
Parte del aparato/ Superficie	Limpieza recomendada
Superficies de acero	<p>Aplicar detergente con un paño blando húmedo; Frotar hasta secar con un paño seco. Utilizar poca cantidad de agua para la limpieza, se ha de evitar que pueda penetrar agua en el aparato.</p> <p>Para suciedades intensas o coloraciones causadas por calor, puede adquirir un producto de limpieza para acero inoxidable en nuestro servicio de asistencia técnica al cliente (Número de pedido 464524).</p>
Soporte de ollas	<p>Retirarlo para su limpieza con cuidado. Dejar a remojo en el fregadero. Limpiar con cepillo y detergente para lavavajillas.</p> <p>En la zona de la almohadilla de goma limpiar con cuidado para que no se desprendan.</p> <p>Lavar con agua limpia y secar a conciencia antes de volver a colocarlo.</p> <p><b>¡No limpiar con lavavajillas!</b></p>

Parte del aparato/ Superficie	Limpieza recomendada
Tapa, anillo y cabezal del quemador (latón)	<p>Elimine la suciedad más gruesa con una bayeta húmeda y detergente. Para restablecer el brillo metálico original, utilice pulimento para latón.</p> <p>Durante esta operación, preste atención a que no se obstruyan los orificios. Tenga cuidado de que no se pierda ninguna pieza pequeña.</p> <p><b>¡No limpiar con lavavajillas!</b></p>
Cabezal del quemador Wok (fundición, esmaltado)	<p>Límpielo con un cepillo y detergente y séquelo con cuidado antes de volverlo a montar.</p> <p><b>¡No limpiar con lavavajillas!</b></p>
Panel de mando	<p>Limpiar con un paño blando húmedo y algo de detergente; el paño no debe estar húmedo en exceso. Frotar hasta secar con un paño seco.</p>
Maneta de mando	<p>Limpiar con un paño blando húmedo y algo de detergente; el paño no debe estar húmedo en exceso.</p> <p><b>⚠ ATENCION: Daños en el aparato:</b> No retirar la maneta del mando para su limpieza.</p>

## Limpieza del electrodo

Un electrodo sucio puede provocar problemas de encendido o en el controlador de llamas.

Si fuera necesario, límpielo con el cepillo adjunto. El electrodo es sensible, por lo que debe limpiarse con cuidado y no se puede retorcer ni dañar. **No ponga en marcha la placa de cocción durante la limpieza.**



## Suciedad quemada y pegada

Para las costras de suciedad quemada y pegada, difíciles de quitar, se puede solicitar en su tienda especializada o en nuestro servicio al cliente un limpiador de parrillas (número de pedido 463582). Este producto es adecuado para los soportes de las cazuelas, las partes de los quemadores y la charola de acero inoxidable. De ser necesario, deje el producto sobre la suciedad durante toda la noche para que surta efecto. Tome en cuenta las indicaciones del limpiador.

## Coloración del quemador

Después de un uso prolongado, los quemadores (tapa, anillo y cabezal de los quemadores) se oscurecen a causa de un proceso de oxidación natural. Para eliminar esta coloración, proceda del siguiente modo:

- 1 Prepare una solución a partes iguales de vinagre con un 8 % de vinagre como máximo (vinagre de mesa) y agua caliente.
- 2 Introduzca las piezas coloradas del quemador durante como máximo 10 minutos. Elimine las manchas más persistentes con una bayeta o una esponja.
- 3 A continuación, enjuague las piezas del quemador con abundante agua y séquelas bien antes de utilizarlas de nuevo.



**ATENCIÓN:** Una concentración demasiado fuerte o un tiempo de contacto excesivo con el vinagre podría provocar daños

## No use los medios de limpieza siguientes

- Productos de limpieza abrasivos o bien agresivos
- No deje que los productos de limpieza que contengan ácido (p. ej. vinagre, ácido cítrico, etc.) entren en contacto con el marco o el panel embellecedor
- Limpiadores con cloro o de alcohol intenso
- Pulverizadores para hornos
- Esponjas de fregar, cepillos o bien estropajos duros o abrasivos
- Antes del uso lave las esponjas nuevas.

---

## Eliminar las fallas

---

Muchas veces usted mismo podrá eliminar las fallas que se presenten. Antes de llamar el servicio al cliente, tenga en cuenta las siguientes indicaciones.

Anomalía	Posible causa	Solución
El quemador no se enciende al activarlo, los indicadores de funcionamiento están apagados.	No hay alimentación de corriente.	Gire la maneta de mando a 0. Comprobar en el cuadro de protección si se han disparado los interruptores automáticos.
El quemador no se enciende al activarlo, el indicador de funcionamiento del quemador activado destella.	Anomalía en el quemador o en la alimentación de gas.	Gire la maneta de mando a 0. <b>Compruebe:</b> <ul style="list-style-type: none"><li>● ¿Están bien colocadas las piezas del quemador?</li><li>● ¿Está abierta la llave de cierre del gas?</li><li>● ¿Están limpios y secos los quemadores?</li><li>● ¿Aire en el tubo después de conectarlo por primera vez o de cambiar la bombona (gas líquido)?</li><li>● ¿Bombona de gas vacía (gas líquido)?</li></ul>
El quemador se apaga cuando está funcionando, los indicadores de funcionamiento se apagan y únicamente destella durante unos segundos el indicador del quemador afectado.	Anomalía en el quemador o en la alimentación de gas.	Gire todas las manetas de mando a 0. <b>¡Espere a que se enfríe el aparato!</b> <b>En ese quemador, compruebe lo siguiente:</b> <ul style="list-style-type: none"><li>● ¿Están bien colocadas las piezas del quemador?</li><li>● ¿Está sucio (restos de comida) o húmedo el electrodo?</li><li>● ¿El quemador está sucio por derrame de cocción?</li><li>● ¿Corriente de aire fuerte (p.ej. hay una ventana abierta justo detrás de la placa de cocción a gas)?</li><li>● ¿Bombona de gas vacía (gas líquido)?</li></ul>
Los quemadores se apagan cuando están funcionando y los indicadores de funcionamiento se apagan.	Fallo de corriente	Gire todas las manetas de mando a 0. Compruebe el suministro de corriente. Después de un fallo de corriente no se produce un reencendido automático.
Los quemadores se apagan cuando están funcionando y todos los indicadores de funcionamiento destellan.	Protección contra sobrecalentamiento	Gire todas las manetas de mando a 0. Espere a que los indicadores de funcionamiento dejen de destellar.
En la cocina huele a gas.	Posible puntos de fuga puede ser la conexión de la bombona de gas.	Comprobar estanqueidad de la bombona de gas.

---

## Servicio de atención al cliente

---

Si su aparato necesita una reparación, nuestro servicio de atención al cliente estará encantado de ayudarle. Siempre encontramos la solución adecuada, incluso para evitar visitas innecesarias de los técnicos.

Cuando llame por teléfono, indique la referencia del producto (Nº E) y el número de fabricación (Nº FD) para que podamos ofrecerle un servicio cualificado. La placa de identificación con los números correspondientes los encontrará en la parte inferior del aparato. Para evitar tener que buscar los datos de su aparato cuando los precise, es aconsejable anotarlos aquí conjuntamente con el número de teléfono del Servicio de atención al cliente.

---

Nº E.

Nº FD.

---

**Servicio de atención al cliente** 

---

Tenga en cuenta que la visita del técnico del servicio de atención al cliente no es gratuito en caso de que el mal funcionamiento sea debido a un manejo incorrecto del aparato.

Las señas de las delegaciones internacionales figuran en la lista adjunta de centros y delegaciones del Servicio de Asistencia Técnica Oficial.

### **Solicitud de reparación y asesoramiento en caso de averías**

**US** 877 442 4436  
toll-free

Confíe en la competencia del fabricante. De esa forma se asegura de que la reparación se lleva a cabo por personal técnico debidamente instruido, equipado con las piezas originales y de repuesto necesarias para su aparato.

---

## Embalaje y aparatos viejos

---

Tanto el embalaje de los aparatos nuevos como los viejos, contienen materias primas valiosas y materiales reutilizables.

Por favor evacue cada una de las piezas de modo clasificado.

Consulte a su comercial especializado a través de las vías de evacuación actuales o en su ayuntamiento.



**Gaggenau**

5551 McFadden Ave  
Huntington Beach, CA 92649  
Telephone: 877.4GAGGENAU  
USA  
[www.gaggenau-usa.com](http://www.gaggenau-usa.com)

9000576891 en-us, es-mx, fr-ca (901116)

**GAGGENAU**



## Free Manuals Download Website

<http://myh66.com>

<http://usermanuals.us>

<http://www.somanuals.com>

<http://www.4manuals.cc>

<http://www.manual-lib.com>

<http://www.404manual.com>

<http://www.luxmanual.com>

<http://aubethermostatmanual.com>

Golf course search by state

<http://golfingnear.com>

Email search by domain

<http://emailbydomain.com>

Auto manuals search

<http://auto.somanuals.com>

TV manuals search

<http://tv.somanuals.com>