

Gaggenau

en Operating instructions

fr Notice d'utilisation

Dishwasher

DF 241

9000 825 296 (9212)

Congratulations, and Thank You from Gaggenau!

Thank you for selecting a Gaggenau dishwasher. You have joined the many consumers who demand quiet and superior performance from their dishwashers.

This manual was written with your safety and convenience in mind, and the information contained herein is very important. We highly recommend that you read this manual before you use your dishwasher for the first time.

To learn even more about your dishwasher and available accessories, as well as many other top quality Gaggenau appliances, visit our website at www.gaggenau-usa.com.

Please contact us if you have any questions or comments.

Gaggenau
1901 Main Street, Suite 600
Irvine, CA 92614
USA
Phone +1.877.442.4436
info@gaggenau-usa.com
www.gaggenau-usa.com

| | |
|---------------------------------------|-------|
| IMPORTANT SAFETY INSTRUCTIONS | 3 |
| Getting to know your appliance | 4 |
| Dishwasher Components | 5 |
| Dishwasher Setup | 6 |
| Salt | 7 |
| Adding Detergent..... | 7 |
| Rinse Agent..... | 8 |
| Dishware Materials | 9 |
| Loading the Dishwasher | 10 |
| Basket Accessories | 11 |
| Wash Cycle Information | 12 |
| Additional Options and Features | 13-14 |
| Operating the Dishwasher | 15-16 |
| Care and Maintenance | 17-18 |
| Self Help..... | 18-19 |
| Customer Service | 20 |
| Statement of Warranties | 21 |



Important Safety Instructions - Please READ and Save This Information

This dishwasher is provided with **Installation Instructions** and this **Use and Care Manual**. Please read and understand all instructions before using the dishwasher.

WARNING

- Misuse of the dishwasher can result in serious injury or death. Do not use the dishwasher in any way not covered in this manual or for any purpose other than those explained on the following pages.
- Severe product damage and/or injury could result from the use of unqualified service technicians or non-original replacement parts. All repairs must be performed by a qualified service technician using only original equipment factory replacement parts.
- Electrical shock or fire could result if the electrical supply for the dishwasher covered in this manual is incorrectly installed or if the dishwasher has been improperly grounded. Do not use the dishwasher covered in this manual if you are not certain the electrical supply has been correctly installed or the dishwasher has been properly grounded.
- Never use harsh chemicals to clean your dishwasher. Some chloride-containing cleaning products can damage your dishwasher and may present health hazards!

Warning: To reduce the risk of fire, electrical shock, or serious injury, observe the following:

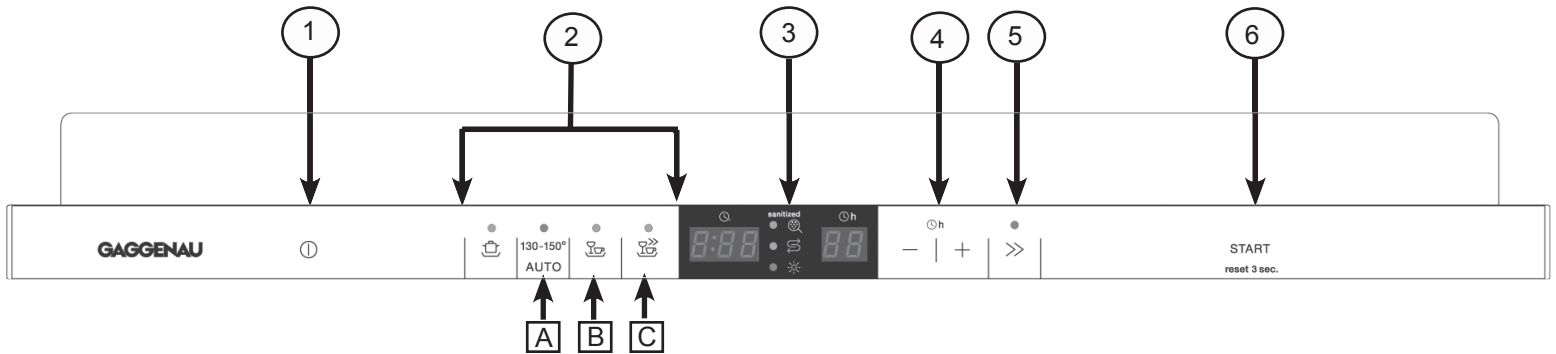
- This appliance must be grounded to a metal, permanent wiring system, or an equipment grounding conductor must be run with the circuit conductors and connected to the equipment grounding terminal or lead on the dishwasher. See the **Installation Instructions** included with this dishwasher for more information on electrical requirements.
- Use this dishwasher only for its intended function, which is the washing of household dishware and kitchenware.
- Use only detergents or rinsing agents recommended for use in a dishwasher, and keep them out of the reach of children.
- When loading items to be washed:
 - Locate sharp items so that they are not likely to damage the door seal.
 - Load knives and other sharp utensils with their HANDLES UP to reduce the risk of cut-type injuries.
- Do not wash plastic items unless they are marked "dishwasher safe" or the equivalent. For plastic items not so marked, check the manufacturer's recommendations.
- Do not operate your dishwasher unless all enclosure panels are in place.
- Do not tamper with or override controls and interlocks.
- Do not abuse, sit on, or stand on the door or dish baskets of the dishwasher.
- To reduce the risk of injury, do not allow children to play in or on the dishwasher.
- When children become old enough to operate the appliance, it is the legal responsibility of the parents or legal guardians to ensure that they are instructed in safe practices by qualified persons.
- Under certain conditions, hydrogen gas may be produced in a hot water system that has not been used for two weeks or more. Hydrogen gas is explosive. Before using a dishwasher that is connected to a hot water system that has been unused for two weeks or longer, turn on all hot water faucets and let the water flow from each for several minutes. This will release any accumulated hydrogen gas. As the gas is explosive, do not smoke or use an open flame during this time.
- Remove the door to the washing compartment when removing an old dishwasher from service or discarding.
- To avoid floor damage and possible mold growth, do not allow wet areas to remain around or under the dishwasher.
- **Protect your dishwasher from the elements. Protect against freezing to avoid possible damage to the fill valve. Damage caused by freezing is not covered by the warranty.**

NOTICE

Never use steam cleaning products to clean your dishwasher. The manufacturer will not be liable for possible damages or consequences.

It is highly recommended for the end use consumer to become familiar with the procedure to shut off the incoming water supply and the procedure to shut off the incoming power supply. See the Installation Instructions or speak with your installer for more information.

Getting to know your Appliance



1 - On/Off Button

2 - Wash Cycles

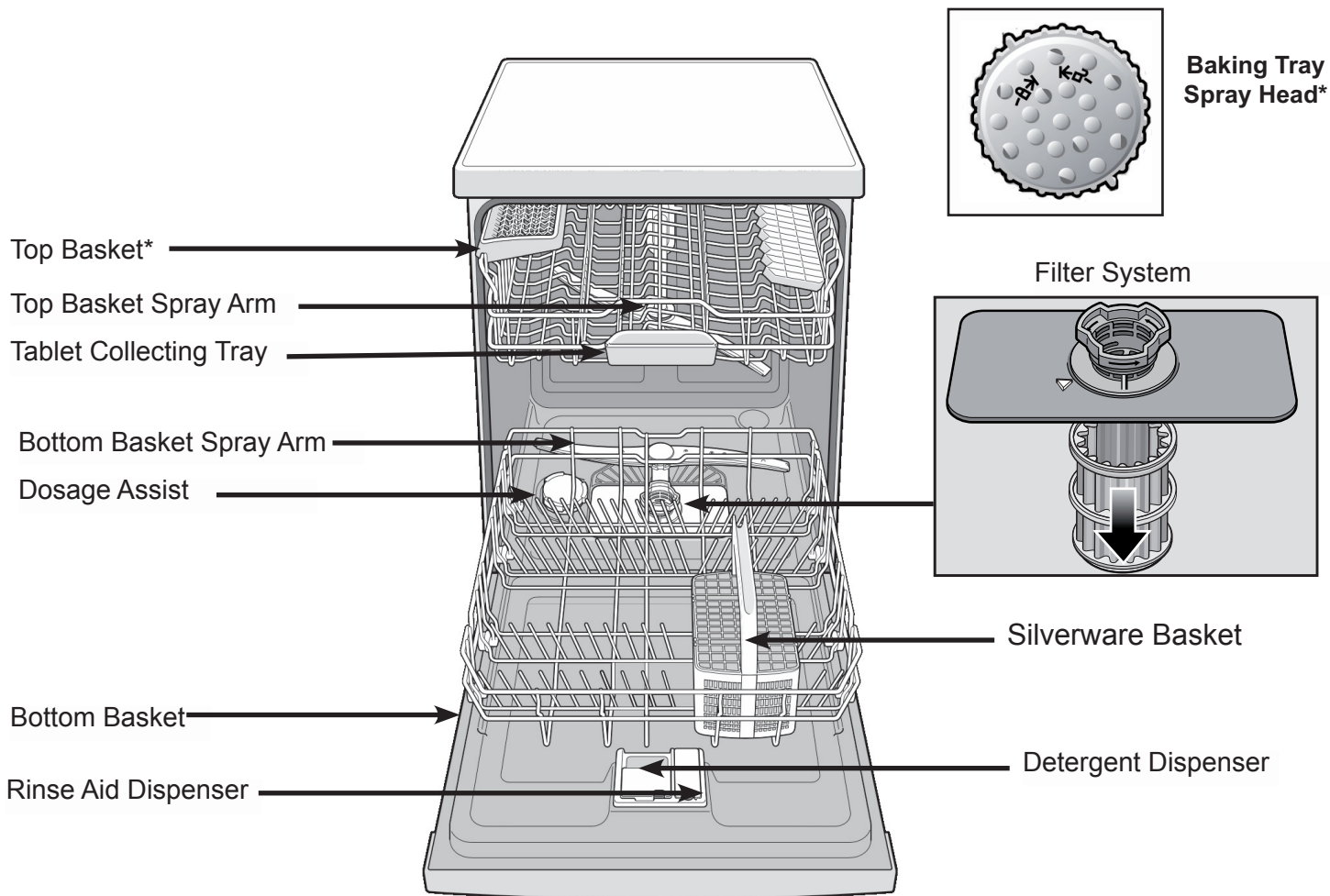
3 - Digital Display

4 - Delay Start

5 - Additional cycle options

6 - Start Button

Dishwasher Components



* Model dependent

Dishwasher setup

Water softening system

The dishwasher requires soft water to ensure proper washing results. Your appliance is equipped with an internal water softening system. However, if you have a household water softening system, you will not need to use this softening system.

The required amount of salt depends on the degree of hardness of your tap water (See table for more information). For the water softening system to function properly, it will need to use dishwasher water softener salt. The amount of salt dispensed can be set from "H:00" to "H:07". Salt is not required at H:00 (this is the default factory setting).

- Open the door.
- Turn the unit on using the **ON/OFF** button.
- Hold down the "A" button and press **START** button until the display indicates "H:00".
- Release both buttons.
- Press "B" to select the desired setting.

SAMPLE TEST STRIP

| | | | |
|--|--|--|---|
| Kurz eintauchen (1 sec), leicht abschütteln und nach 1 min ablesen. 4 grün/green/vert 1 rot/red/rouge 2 rot/red/rouge 3 rot/red/rouge 4 rot/red/rouge | Dip briefly (1 sec), shake off excess water and compare after 1 min. 1 min. 1 min. 1 min. 1 min. | Plongez brièvement (1 sec), égouttez l'excès d'eau et comparez après 1 min. <3°dH/ <3.75°e/ <5.4°F >4°dH/ >5°e/ >7.2°F >8.4°dH/ >10.5°e/ >15.1°F >14°dH/ >17.5°e/ >25.2°F >21°dH/ >26.25°e/ >37.8°F | AQUADUR® Teststäbchen zur Bestimmung der Wasserhärte Test stick for determination of water hardness Bandelette pour déterminer la dureté de l'eau |
|--|--|--|---|

To change the setting:

- Press "C" button.
- Save the setting by pressing the **START** button.
- Close the door.

Hard Water and your Dishwasher

Your water hardness level directly impacts your dishwasher's performance. Hard water will increase spotting and reduce detergent performance. Some dishwasher models are equipped with a water softener that uses a special salt to adjust the water hardness to obtain optimal performance. The dishwasher salt is added to the salt chamber located under the lower dishwasher rack. The amount of salt that is dispensed is based on your home water hardness. The home water hardness can be determined by using the water hardness test strip included in your manual set (or from your local hardware store). The dishwasher water softener setting must be adjusted to match your water hardness.

Instructions for use of included "Water Hardness Test Strip"

- See your dishwasher "Use and Care" manual for detailed instructions.
- Only use salt designed for automatic dishwashers. Never use household water softener salt or table salt.
- Follow the instructions below for the included test strip (If purchasing a different test strip, follow manufacturers instructions).
 - Step 1 - Run the water at the kitchen sink for 5 minutes.
 - Step 2 - Dip the end of the test strip with the colored squares into the tap water for 1 second and shake off excess water.
 - Step 3 - After one minute, compare the test strip to the chart below and determine the Dishwasher Water Softener setting.
 - Step 4 - Adjust the dishwasher Water Softener setting. Consult your Use and Care manual for details.
 - Step 5 - If required, add salt to the dishwasher salt chamber as shown in the Use and Care manual.

Adjusting the Water Softener Setting of your Dishwasher (select models)

| Using the Test Strip included with your dishwasher (Purchased Test Strips May have a Different Scale) | Dishwasher Water Softener setting | Add salt to dishwasher salt chamber | Water Hardness Conversion Chart (Only necessary if you purchase a different Test Strip) | | | | | |
|---|-----------------------------------|-------------------------------------|---|-----|---------------------|----|-----|----|
| | | | ppm | | Grains/gallon (gpg) | | °dH | |
| | H:00 | No | 0 | 116 | 0 | 6 | 0 | 6 |
| | H:01 | Yes | 117 | 152 | 7 | 8 | 7 | 8 |
| | H:02 | Yes | 153 | 188 | 9 | 10 | 9 | 10 |
| | H:03 | Yes | 189 | 223 | 11 | 13 | 11 | 12 |
| | H:04 | Yes | 224 | 294 | 14 | 17 | 13 | 16 |
| | H:05 | Yes | 295 | 383 | 18 | 22 | 17 | 21 |
| | H:06 | Yes | 384 | 544 | 23 | 31 | 22 | 30 |
| | H:07 | Yes | 545 | 890 | 32 | 52 | 31 | 50 |

Salt

Using salt

Refill the salt container (using the funnel supplied to pour) before switching on the unit to ensure that salt overflow is immediately washed away. This prevents corrosion.

- Open the screw-type cap of the salt container.
- Fill the tank with water (only required when switching on the unit for the first time).
- Add salt (dishwasher salt) until the water is displaced and runs out.
- Fill with salt as soon as the salt refill indicator "S" or LED is lit.

NOTICE

Never fill the salt dispenser with detergent. You will destroy the water softening system.

To prevent corrosion, refill with salt before switching on the appliance when necessary.

For more information about buying dishwasher salt, please contact customer service.

Detergent

Use only detergent specifically designed for dishwashers. For best results, use fresh dishwashing detergent. The dishwasher is also equipped with a tablet collecting tray, designed to fully dissolve detergent tabs.

NOTICE

To avoid dishwasher damage, do not use hand dishwashing products in your dishwasher.

This dishwasher uses less water so you need to use less detergent. With soft water, 1 tablespoon (15ml) of detergent will clean most loads. The detergent dispenser cup has lines that measure detergent to 1 tablespoon (15ml) and 1.75 tablespoons (25ml). 3 tablespoons (45ml) of detergent will completely fill the detergent dispenser cup.

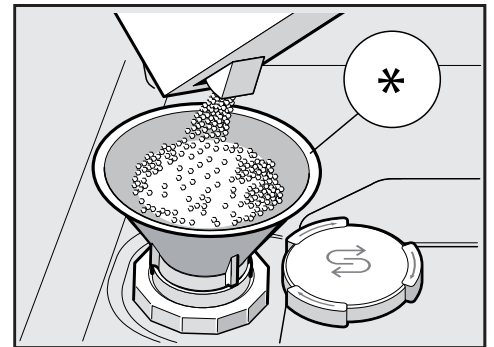
NOTE: If you do not know the hardness of your water supply, use 15ml of detergent. Increase the amount of detergent, if necessary, to the least amount required to get your dishware and kitchenware clean.

To Close:

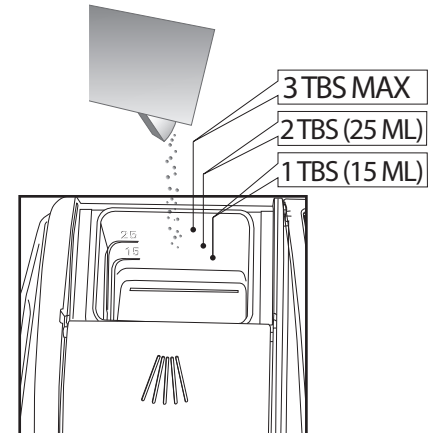
Place finger as shown above, slide forward, then press down FIRMLY until you hear a CLICK.

To Open:

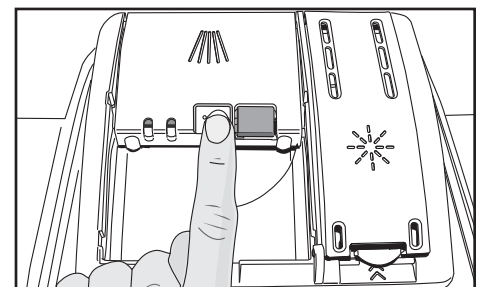
Push button as shown in the figure



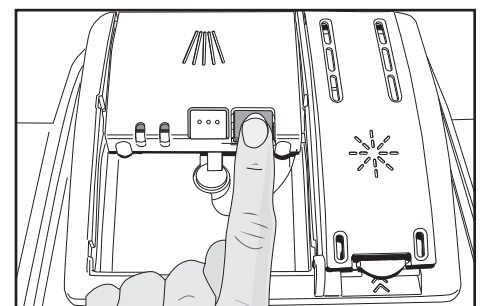
* model dependent



Add Detergent



To close the cover




To open the cover

Rinse Agent

To achieve proper drying, always use a liquid rinse agent, even if your detergent contains a rinse agent or drying additive.

Rinse Agent Dispenser

Open the rinse agent dispenser by lifting the tab with your thumb.

NOTE: The dishwasher indicates low rinse agent either by showing the symbol  in the countdown display, or illuminating the refill rinse agent light (model dependent).

Add liquid rinse agent to the dispenser as shown until the rinse agent reservoir is full. Wipe up any excess rinse agent that puddles when the dispenser reservoir is full.

Setting amount of rinse-aid

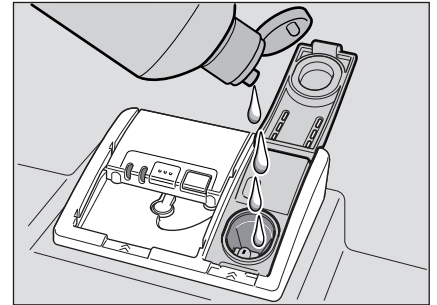
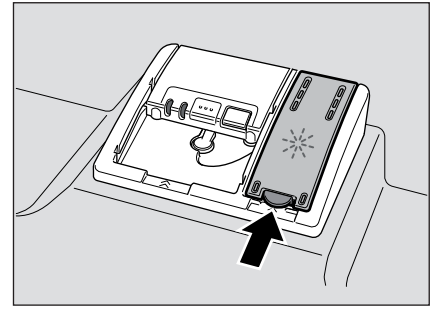
The amount of rinse-aid dispensed can be set from “r:00” to “r:06” .

- Open the door.
- Turn unit on by pressing the **ON/OFF** button.
- Hold down button “A” (see page 4) and press **START** until the display indicates “H:00”
- Press “**A**” button until the display indicates “r:05”.
- Release both buttons.
- Press “**C**” to select the desired setting.
 - “r:00” means the Rinse Agent dispenser is off.
 - “r:01” means the Rinse Agent dispenser is at the lowest setting.
 - “r:02” means the Rinse Agent dispenser is low setting.
 - “r:03” means the Rinse Agent dispenser is medium setting.
 - “r:04” means the Rinse Agent dispenser is medium high setting.
 - “r:05” means the Rinse Agent dispenser is high setting.
 - “r:06” means the Rinse Agent dispenser is at the highest setting
- Save the selected language by pressing the **START** button.
- Close the door.

Switching off rinse-aid refill indicator

- Set the rinse aid option to **r:00**

NOTE: Do not change the amount of rinse-aid unless there are streaks (select lower setting) or water stains (select higher setting) visible on the utensils.



Dishware Materials

NOTE: Before using your dishwasher for the first time, check the information in this section. Some items are not dishwasher safe and should be hand-washed; others require special loading. Contact the item's manufacturer if you are unsure about the item's dishwasher suitability.

Recommended

Aluminum: Colored anodized aluminum may fade over time. Minerals in your water may cause the aluminum to darken or spot. This can usually be removed by using a soap-filled steel wool pad.

China, Crystal, Stoneware: Some hand-painted pieces may discolor, fade, or spot. Hand-wash these pieces. Position fragile glassware so that it will not topple over or contact other pieces during the wash cycle.

Glass: Milk glass may yellow.

Non-Stick Coatings: Apply a light coating of vegetable oil to non-stick surfaces after drying.

Plastics: Make sure the piece is dishwasher safe.

Stainless Steel, Sterling Silver, and Silver Plate: Place these pieces so that they do not contact dissimilar metals.

Not Recommended

Acrylic: Crazing (small cracks throughout the acrylic) may occur.

Adhesive-Joined Pieces: Adhesives that join materials such as plastic, wood, bone, steel copper, tin, etc. may loosen.

Bone-Handled Utensils: Handles may separate.

Iron: Iron will rust. Hand-wash and dry immediately.

Non-Dishware Items: Your dishwasher is intended for use in cleaning ONLY standard household dishware and kitchenware.

Pewter, Brass, Bronze: Pewter will tarnish. Hand-wash and dry immediately.

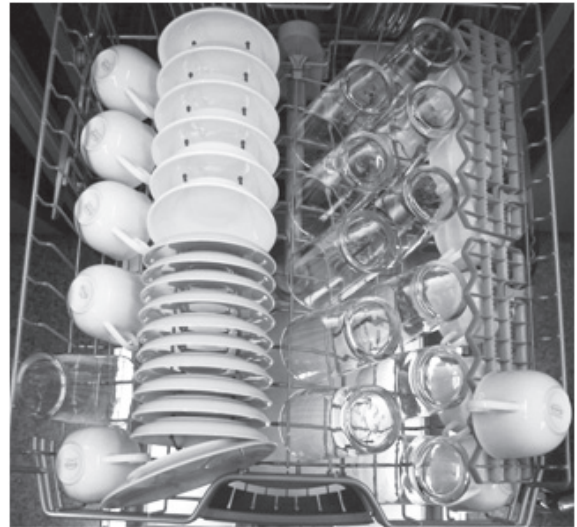
Tin: Tin will rust. Hand-wash and dry immediately.

Wood: Wooden bowls, wooden utensils, and wood-handled utensils can crack, warp, and lose their finish.

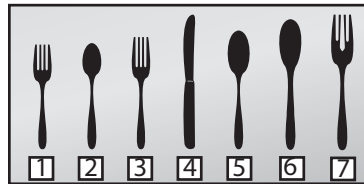
UPPER Basket - 12 PLACE SETTING



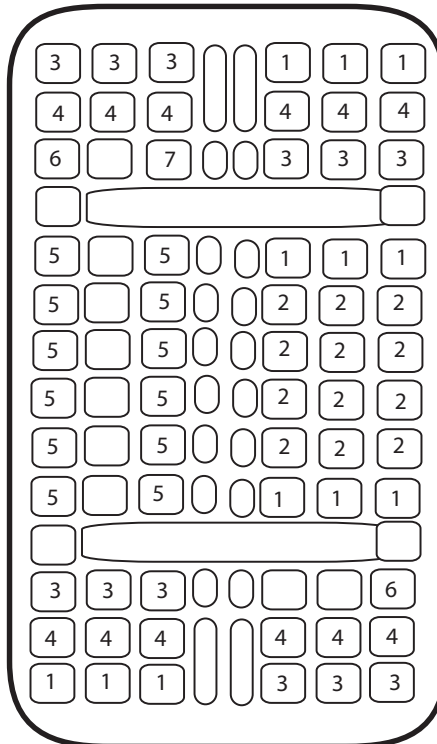
LOWER Basket - 12 PLACE SETTING



SILVERWARE BASKET - 12 PLACE SETTING



- 1 - Salad Fork
- 2 - Tea Spoon
- 3 - Dinner Fork
- 4 - Knife
- 5 - Table Spoon
- 6 - Serving Spoon
- 7 - Serving Fork



Loading the Dishwasher

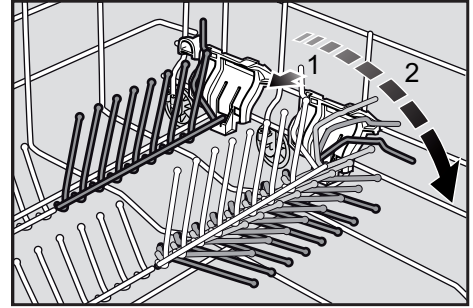
Do not pre-wash items having loosely-attached soiling. Remove large food particles, bones, seeds, toothpicks, and excessive grease. Items having burned-on, baked-on or starchy soils may require pre-treatment.

Load only dishwasher-safe items into the dishwasher. Load dishes in the dishwasher baskets so that the insides of bowls, pots, and pans are face downwards. Avoid nesting and contact points between dishes. Separate items of dissimilar metals.

Basket Accessories

Flip Tines *

Flip Tines fold down to make loading the baskets easier in some instances. Grasp the tines, release from notch, and fold the tines downward. When the top basket is loaded, push it into the dishwasher.

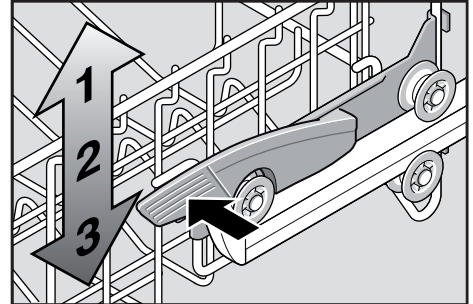


Adjusting the height of the basket

The height of the upper basket can be adjusted in 3 stages to create more space either in the upper or lower basket.

- Pull out the top basket.
- To lower the basket, push the lever inwards then upwards.
- To raise the basket, hold the basket on the sides of the upper edge and lift it up.

Before re-inserting the basket again, ensure that it is at the same height on both sides. Otherwise, the appliance door cannot be closed and the upper spray arm will not be connected to the water circuit.



* model dependent

Wash Cycle Information

Pots & Pans

Cleans items having baked-on or hard dried-on food soils. These items may require soaking or hand scouring.

AUTO 130 - 150 °F

Takes the guesswork out of cycle selection. The sensors in the dishwasher automatically adjust cycle length, temperature and water changes based on the soil load. This cycle is appropriate for mixed loads.

Normal

Thoroughly cleans large loads having loosely attached normal soiling.

Note: The Energy Guide Label was based on this soil sensing cycle with all available options turned off. As prescribed in the energy test procedure, the unit was tested without any Rinse Aid in the Rinse Aid dispenser. A single dose of detergent was used in the Detergent Dispenser, with no detergent used in the prewash. The test was conducted with the upper rack in the middle position. See Appendix A for Energy Test load pattern.

Quick Wash

For lightly soiled items with easy to remove food soils.

| | Pots & Pans Sanitize Qualified | AUTO 130- 150° | Normal | Quick Wash |
|-----------------------------|-----------------------------------|-------------------|------------|------------|
| cycle time [min] | 110 - 135 | 105 - 129 | 95 - 119 | 30 |
| water consumption [liters] | 18.1 - 23.7 | 13.1 - 24.9 | 5.8 - 16.9 | 10.3 |
| Water consumption [gallons] | 4.8 - 6.3 | 3.5 - 6.6 | 1.5 - 4.5 | 2.7 |
| wash temperature [°F] | 150 - 160 | 130 - 150 | 122 - 131 | 113 |
| rinse temperature [°F] | 162 | 158 | 124 - 156 | 122 |

Additional Option

Power >>

The cycle time is reduced significantly in the Power option. The energy consumption is increased by up to 30% due to more intensive heating.

Additional Features

EcoSense Wash Management System

An advanced sensor system determines the soil level in the wash water and automatically deletes fresh water fills if they're not needed, saving you time and money, while cutting energy usage.

Sanitized

A dishwasher cycle that has the Sanitized symbol has been tested to meet very strict requirements of wash time and water temperature to ensure dishware and kitchenware sanitization.

Time remaining Indicator

When the program is selected, the remaining running time of the program is indicated on the digital display. The running time is determined during the program by the water temperature, the number of utensils as well as the degree of soiling and may vary (depending on the selected program).

Delay start

You can delay the start of the program in 1-hour steps up to 24 hours.

- Open the door. Power on the unit.
- Press “**C**” button until the timer programming display jumps to 01 .
- Press + or – button until the displayed time corresponds with your requirements.
- Press START button. Delay start is activated.

To cancel delay start:

- Press the + or – button until “00” is indicated on the digital display.

You can change your program selection at any time until the program starts.

- Close the door

Cycle Completion Signal

The cycle completion is also indicated by a tone. This function can be changed as follows:

- Open the door. Power on the unit.
- Hold down “**A**” button and press START button until the display shows **H:00**.
- Release both buttons.
- Press “**A**” until the display shows “**b:02**”.
- Press “**C**” to increase or decrease the tone.
- **b:00** = Off and **b:03** = loudest
- Press START button. The set value is saved.
- Close the door.

Intensive drying

The final rinse uses a higher temperature which improves the drying result.

The running time may increase slightly. (Caution if utensils are delicate!)

- Open the door. Power on the unit.
- Hold down “**A**” button and press START the digital display shows “H:00”.
- Release both buttons.
- Press the “**A**” button until the display indicates “**d:00**”.
- Press the “**C**” button to turn intensive drying on or off. “**d:01**” = ON or “**d:00**” = OFF
- Press START button. The set value is saved.
- Close the door.

Auto Power Off

To save energy, the dishwasher is turned off 1 minute after the wash cycle ends. Auto Power Off can be adjusted from P:00 to P:02.

To change the factory setting (P:01):

- Open the door. Power on the unit.
- Hold down “**A**” button and press START button until the display shows **H:00**.
- Release both buttons.
- Press the “**A**” button until the display indicates “**P:01**”.
- Press the “**C**” button to change auto power off setting. “**P:00**” = dishwasher does not turn off automatically, “**P:01**” = dishwasher turns off after 1 minute, “**P:02**” = dishwasher turns off after 120 minutes (2 hours)
- Press START button. The set value is saved.
- Close the door.

Operating the Unit

Switching on the appliance

- Open the door.
- Turn unit on by pressing the ON/OFF switch. The display of the last selected program flashes.
- The expected program duration flashes on the digital display.
- Press the START button.
- Close the door. The program starts running.

Interrupting the cycle

- Open the door.
- Press the ON/OFF button. The LEDs go out. The program is saved. If the door was opened on an appliance which has a warm water connection or is heated, first leave the door ajar for several minutes and then close. Otherwise, expansion (pressure) may cause the appliance door to spring open or water to run out of the appliance.
- To continue the program, switch on the ON/OFF switch again.
- Close the door.



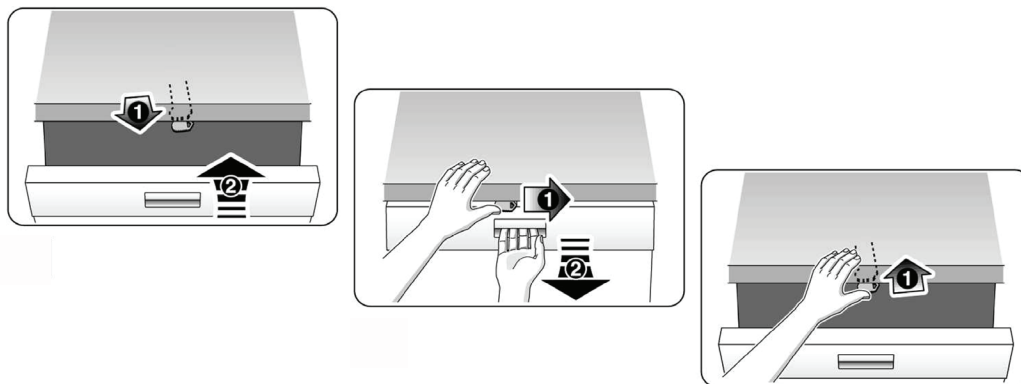
WARNING

To avoid risk of scalding, OPEN THE DOOR CAREFULLY during any wash or rinse cycle. Do not fully open the door until water noises have stopped.

Terminating the program

- Open the door.
- Press START button for approx 3 sec. until 0:01 is displayed .
- Close the door. The program sequence lasts approx. 1 min.
- The display will indicate 0:00
- Open the door.
- Press the ON/OFF button.
- Close the door.

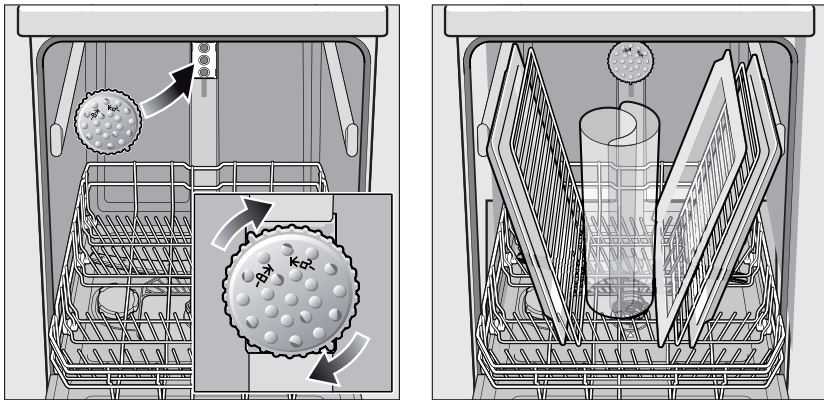
Child-proof lock * (select models)



The Child Safety Lock is designed to prevent children from opening the dishwasher.

- To lock the door, push the slider below the door grip to the right.
- To unlock the door, push the slider to the left.

Baking Tray Spray Head *



If an item is too tall to be placed into the bottom basket even with the top basket in the raised position, remove the empty top basket by pulling it out of the dishwasher until it stops rolling. Pull the front of the basket upward and outward until the rollers are completely free of the roller guides. Set the top basket aside. Push the roller guides back into the dishwasher.

Insert the Baking Tray Spray Head into the top basket spray outlet and turn the sprinkler clockwise to lock it into position as shown above. Place your extra tall item(s) in the bottom basket as shown above.

NOTE: Keep the vent on the tub's right side clear by placing tall items such as plastic cutting boards and tall baking sheets on the bottom rack's left side, center, or back.

* **Model dependent**

Maintenance and Care

A regular inspection and maintenance of your machine will help to prevent faults. This saves time and prevents problems.

Overall condition of the machine

Check spray arm for grease and limescale deposits.

If you find such deposits:

- Fill detergent dispenser with detergent.
- Start the appliance without utensils in the program with the highest rinsing temperature.

Clean the appliance with detergents/appliance cleaners which are particularly suitable for use with dishwashers.

- Regularly clean door seal with a damp cloth.

Never use a steam cleaner to clean your dishwasher. The manufacturer is not liable for any consequential damage.

Regularly wipe the front of the appliance and fascia with a damp cloth; water and a little washing up liquid are adequate.

Do not use sponges with a rough surface or abrasive detergents, as these could scratch the surfaces.

Stainless steel appliances: To prevent corrosion, avoid using sponge cloths or wash them out thoroughly several times before using for the first time.

Filters

The filters keep large foreign objects in the rinsing water away from the pump. These foreign objects may occasionally block the filters.

The filter system consists of a coarse filter, a flat fine filter and a microfilter.

- After each washing cycle check the filters for residue.
- Unscrew filter cylinder as illustrated and take out filter system.
- Remove any residue and clean filters under running water.
- Re-install filter system in reverse sequence and ensure that the arrow marks are opposite each other after closing the filter system.

CAUTION

To avoid injury, do not reach into the large object trap with your fingers. The large object trap could contain sharp objects.

Spray arms

Limescale and contaminants in the rinsing water may block nozzles and bearings on the spray arms. Using the water softening system may reduce this.

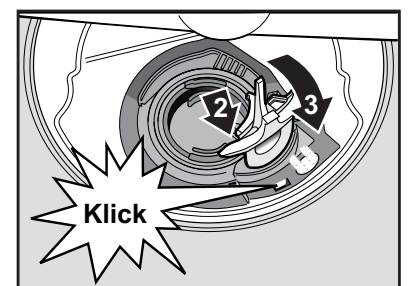
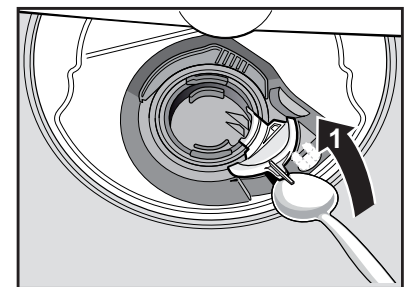
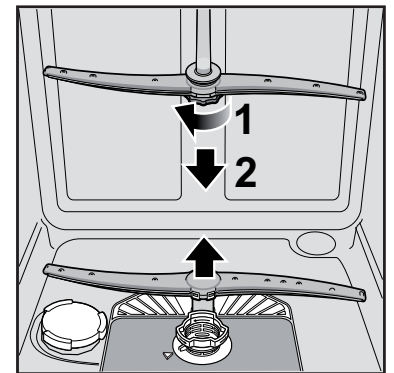
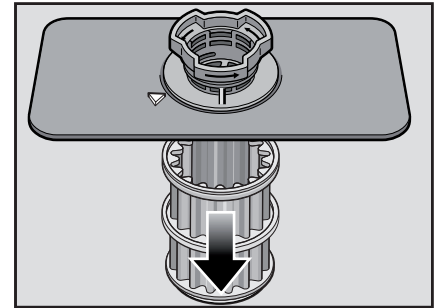
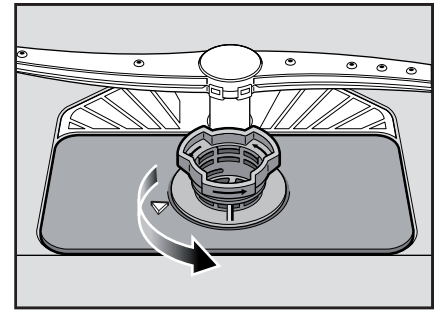
- Check outlet nozzles on the spray arms for blockages.
- Unscrew the upper spray arm.
- Remove the lower spray arm.

Waste water pump

Large food remnants in the rinsing water not retained by the filters may block the waste water pump. The rinsing water does not get pumped out and covers the filter.

In this case:

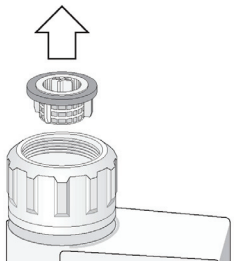
- Disconnect the appliance from the power supply.
- Remove the filters.
- Scoop out water, use a sponge if required.
- Using a spoon, pry off pump cover(as illustrated) until it clicks, then grip the cover by the lug and first pull it upwards until it resists and then pull it out forwards.
- Check inner compartment and remove any foreign objects.
- Place cover in the original position, press down and engage.
- Install filters



SELF HELP

Dishwashers may occasionally exhibit problems that are unrelated to a malfunction of the dishwasher itself. The following information may help you with a dishwasher problem without involving a repair professional.

| Problem | Cause | Action |
|--|---|---|
| Dishwasher does not start | <ol style="list-style-type: none"> 1. Door may not be properly latched. 2. Unit may not be turned on. 3. Unit not reset or previous cycle not completed. 4. Delay start engaged. 5. Interruption of electrical power supply to dishwasher or blown fuse. 6. Child lock activated (select models). 7. The door may have been closed without first selecting a cycle. 8. Water supply may not be turned on. | <ol style="list-style-type: none"> 1. Shut the door completely. 2. Press the main power switch to turn unit on. 3. To reset, refer to "Canceling or changing the cycle" section in this manual. 4. To reset, refer to "Delay Start" section in this manual. 5. Check circuit breaker. 6. Deactivate the child lock. Refer to "Child Lock" section in this manual if applicable. 7. Select a cycle and close the door. 8. Check and turn on water supply. |
| Dishwasher beeping (end of cycle signal) | Default factory settings alert the customer that the cycle has completed by beeping. This feature can be deactivated if so desired. | To adjust the volume or deactivate, refer to "Cycle Completion Signal" section in this manual. |
| Display does not illuminate or console lights are not on | <ol style="list-style-type: none"> 1. A fuse may have been blown or circuit breaker tripped. 2. Door not closed or latched. <p>Note: For models with controls on the top portion of the door, the display only illuminates when the door is opened and controls are visible.</p> | <ol style="list-style-type: none"> 1. Check the fuse or circuit breaker box and replace the fuse or reset the breaker if necessary. 2. Ensure that door is properly latched and completely closed. |
| Dishwasher seems to run a long time | <ol style="list-style-type: none"> 1. Incoming water is not warm enough. 2. Cycle time can vary due to soil and water conditions. 3. Rinse agent dispenser is empty. 4. Dishwasher connected to cold water supply. <p>Note: Refer to "Cycle Chart Data" section in this manual for typical cycle length.</p> | <ol style="list-style-type: none"> 1. Before starting a cycle, run hot water faucet at the sink nearest to the dishwasher. 2. Sensors in the dishwasher automatically increase the cycle time to ensure a good wash when heavy soil is detected. 3. Add rinse agent. 4. Verify dishwasher is connected to hot water supply plumbing. |
| Dishes aren't getting clean enough | <ol style="list-style-type: none"> 1. Spray arm movement is obstructed. 2. Spray arm nozzles clogged. 3. Improper use of detergents. 4. Filters could be clogged. 5. Dishes are nested or loaded too close together. 6. Selected wash cycle is not suitable for food soil conditions. | <ol style="list-style-type: none"> 1. Ensure that spray arm movement is not blocked by hand rotating spray arms. 2. Remove the spray arms and clean according to "Check/Clean the Spray Arm Nozzles" in Care and Maintenance section of this manual. 3. Increase or decrease detergent depending on the water hardness. Refer to Table under "Adding Detergent and Rinse Agent". 4. Clean the filter. Refer to "Check/Clean the Filter System" under Care and Maintenance section of this manual. 5. Rearrange load such that water spray can reach all items in the dishwasher. See also "Preparing and Loading" section of this manual. 6. Refer to "Wash Cycle" section in Operating the Dishwasher section of this manual. |
| Dishes are not getting dry enough | <ol style="list-style-type: none"> 1. Rinse agent dispenser is empty. (Rinse agent indicator is activated). 2. Improper loading of dishes. 3. Selected cycle does not include drying. <p>Note: Plastic or Teflon do not typically dry as completely as other items due to their inherent properties.</p> | <ol style="list-style-type: none"> 1. Add rinse agent. The use of rinse agent improves drying. 2. Rearrange load to ensure items are not nested. Refer also to the "Preparing and Loading" section of this manual. 3. Rinse and Hold setting does not include drying cycle. <p>Note: Select models offer an extra heating options to improve drying performance. Refer to "Wash Cycle options" under the Operating the Dishwasher section of this manual.</p> |
| Odor | <ol style="list-style-type: none"> 1. Food debris is present at the bottom of the dishwasher. 2. Food particles are present near the door seal. 3. Dishes left too long in unit before running a cycle. 4. Residual water is present at the bottom of the dishwasher. 5. Drain hose is obstructed. | <ol style="list-style-type: none"> 1. Remove the filters and clean according to the "Check/Clean the Filter System" section of this manual. 2. Refer to "Clean the Door Gasket and Door Seal" in the Care and Maintenance section of this manual. 3. Run a Rinse/Hold cycle if you do not intend to immediately wash the dishes. 4. Ensure the unit has completely drained from the last cycle. Refer to the "Canceling or changing the cycle" section of this manual. 5. Remove any obstructions from the drain hose by calling qualified personnel. <p>Note: If odor still persists, run the Normal/Regular cycle until it flushes and interrupt the cycle and place an 8 oz. cup of distilled white vinegar solution on the top basket and then finish the cycle.</p> |

| Problem | Cause | Action |
|--|---|--|
| Dishwasher not filling with water | <ol style="list-style-type: none"> 1. Restriction in the water supply system. 2. Previous wash cycle was not completed. 3. Delay-start is active. | <ol style="list-style-type: none"> 1. Ensure that the water supply valve (typically located under kitchen sink) is open and check that the water supply line has no kinks and clogs. 2. Refer to the "Canceling or changing the cycle" section of this manual. 3. Cancel the delay-start or wait until delay-start time completes (times out). Refer to the "Delay Start" section of this manual. |
| Water Leaks | <ol style="list-style-type: none"> 1. Suds 2. Door seal could be pulled away from basket. 3. Condensation vent is blocked. 4. Improper installation. | <ol style="list-style-type: none"> 1. Wrong type of detergent results in suds and leaks. Use only dishwasher detergents. If suds still persist, then add one tablespoon of vegetable oil at the bottom of the dishwasher and run the desired cycle. 2. Ensure that door seal is in the track. 3. Ensure that condensation vent is not blocked. Refer to "Loading Extra Tall Items" in the Preparing and Loading the Dishwasher section of this manual. 4. Have proper installation verified by qualified personnel (water supply, drain system, leveling, plumbing). |
| Tub stains | <ol style="list-style-type: none"> 1. Stains on the dishwasher interior are due to hardness of water. 2. Silverware in contact with tub. | <ol style="list-style-type: none"> 1. Concentrated Lemon juice can reduce the build up of hard water stains. Run a normal cycle until it flushes and interrupt the cycle and then place an 8 oz. cup of the concentrated lemon solution on the top basket and finish the cycle. This can be done periodically to avoid build up. 2. Ensure that the silverware does not make contact with the tub while running a cycle. |
| Streaks on glassware or residue on the dishes | Incorrect rinse agent setting. | Depending on the hardness of water, adjust the rinse agent dispenser. Refer to "Adding Detergent and Rinse Agent" section in this manual for adjustment. |
| Fascia panel discolored or marked | Abrasive cleaner used. | Use mild detergents with soft damp cloth. |
| Noise during wash cycle | The dishes may not be arranged properly. | Water circulation sound is normal, but if you suspect items are banging into each other or into the spray arms, refer to the "Preparing and Loading" section of this manual for optimal arrangement. |
| Detergent dispenser cover will not shut | <ol style="list-style-type: none"> 1. Improper operation of detergent cover. 2. Previous cycle has not been finished, reset, or cycle was interrupted. | <ol style="list-style-type: none"> 1. Refer to "Adding Detergent and Rinse Aid" section of this manual for instructions on opening and closing the dispenser. 2. Refer to the "Canceling or changing the cycle" section of this manual. |
| Unable to select desired cycle | Previous cycle has not finished. | Refer to the "Canceling or changing the cycle" section of this manual. |
| Error Codes | If fault code (E01 to E30) is indicated on the digital display 3, first disconnect the appliance from the power supply. You can rectify certain faults yourself (see following fault description), for all other faults please contact customer service and state the indicated fault E:XX. | |
| Water is left in the appliance at the end of the program | <ol style="list-style-type: none"> 1. (E24) Waste water hose is blocked or kinked. 2. (E25) Waste water pump blocked, cover on the waste water pump is not locked in position 3. Filters blocked. 4. The program has not yet ended. | <ol style="list-style-type: none"> 1. See Care and Maintenance. 2. Wait until program ends (digital display indicates 0:00) or implement the "Reset" function. |
| "Check water supply" display lights up | <ol style="list-style-type: none"> 1. Tap turned off. 2. Water supply interrupted. 3. Supply hose kinked. 4. Filter in the water supply blocked | <ol style="list-style-type: none"> 1. Switch off the appliance and pull out the main plug. 2. Turn off the tap. 3. Clean filter in the supply hose. 4. Reconnect power supply. 5. Turn on the tap. 6. Switch on the appliance.  |

Customer Service

Your dishwasher requires no special care other than that described in the Care and Maintenance section of the Use and Care Manual. If you are having a problem with your dishwasher, before calling for service please refer to the Self Help section in the Use and Care Manual. If service is necessary, contact your dealer or installer or an authorized service center. Do not attempt to repair the appliance yourself. Any work performed by unauthorized personnel may void the warranty.

If you are having a problem with your dishwasher and are not pleased with the service you have received, please take the following steps (in the order listed below) until the problem is corrected to your satisfaction:

1. Contact your installer or the Gaggenau Authorized Service Contractor in your area.
2. E-mail us from the customer service section of our website, www.gaggenau-usa.com.
3. Call us at 1-877.442.4436

Statement of Limited Product Warranty

Gaggenau

What this Warranty Covers & Who it Applies to: The limited warranty provided by BSH Home Appliances in this Statement of Limited Product Warranty applies only to the Gaggenau appliance ("Product") sold to you, the first using purchaser, provided that the Product was purchased: (1) for your normal, household (non-commercial) use, and has in fact at all times only been used for normal household purposes; (2) new at retail (not a display, "as is", or previously returned model), and not for resale, or commercial use; and (3) within the United States or Canada, and has at all times remained within the country of original purchase. The warranties stated herein apply only to the first purchaser of the Product and are not transferable. Gaggenau reserves the right to request proof of purchase at the time any warranty claim is submitted to confirm that the Product falls within the scope of this limited product warranty.

- Please make sure to return your registration card; while not necessary to effectuate warranty coverage, it is the best way for Gaggenau to notify you in the unlikely event of a safety notice or product recall.

How Long the Warranty Lasts: Gaggenau warrants that the Product is free from defects in materials and workmanship for a period of one thousand eight hundred twenty five (1,825) days (5 years) from the date of purchase. The foregoing timeline begins to run upon the date of purchase, and shall not be stalled, tolled, extended, or suspended, for any reason whatsoever.

Repair/Replace as Your Exclusive Remedy: During this warranty period, Gaggenau or one of its authorized service providers will repair your Product without charge to you (subject to certain limitations stated herein) if your Product proves to have been manufactured with a defect in materials or workmanship. If a reasonable number of attempts to repair the Product have been made without success, then Gaggenau will replace your Product (upgraded models may be available to you, in Gaggenau's sole discretion, for an additional charge). All removed parts and components shall become the property of Gaggenau at its sole option. All replaced and/or repaired parts shall assume the identity of the original part for purposes of this warranty and this warranty shall not be extended with respect to such parts. Gaggenau's sole liability and responsibility hereunder is to repair manufacturer-defective Product only, using a Gaggenau-authorized service provider during normal business hours. For safety and property damage concerns, Gaggenau highly recommends that you do not attempt to repair the Product yourself, or use an un-authorized servicer; Gaggenau] will have no responsibility or liability for repairs or work performed by a non-authorized servicer. If you choose to have someone other than an authorized service provider work on your Product, THIS WARRANTY WILL AUTOMATICALLY BECOME NULL AND VOID. Authorized service providers are those persons or companies that have been specially trained on Gaggenau products, and who possess, in Gaggenau's opinion, a superior reputation for customer service and technical ability (note that they are independent entities and are not agents, partners, affiliates or representatives of Gaggenau). Notwithstanding the foregoing, Gaggenau will not incur any liability, or have responsibility, for the Product if it is located in a remote area (more than 100 miles from an authorized service provider) or is reasonably inaccessible, hazardous, threatening, or treacherous locale, surroundings, or environment; in any such event, if you request, Gaggenau would still pay for labor and parts and ship the parts to the nearest authorized service provider, but you would still be fully liable and responsible for any travel time or other special charges by the service company, assuming they agree to make the service call.

Extended Limited Warranty: Third thru sixth year from date of purchase warranty on sealed refrigeration system parts as listed. Gaggenau will pay for factory specified replacement parts and repair labor costs to correct defects in materials or workmanship in the sealed refrigeration system. These parts are evaporator, condenser, dryer, and connecting tubing. Seventh thru twelfth year from date of purchase warranty on sealed refrigeration system parts only as listed. Service must be performed by a Gaggenau designated service company.

Out of Warranty Product: Gaggenau is under no obligation, at law or otherwise, to provide you with any concessions, including repairs, pro-rates, or Product replacement, once this warranty has expired.

Warranty Exclusions: The warranty coverage described herein excludes all defects or damage that are not the direct fault of Gaggenau, including without limitation, one or more of the following:

- (1) use of the Product in anything other than its normal, customary and intended manner (including without limitation, any form of commercial use, use or storage of an indoor product outdoors, use of the Product in conjunction with air or water-going vessels);
- (2) any party's willful misconduct, negligence, misuse, abuse, accidents, neglect, improper operation, failure to maintain, improper or negligent installation, tampering, failure to follow operating instructions, mishandling, unauthorized service (including self-performed "fixing" or exploration of the appliance's internal workings);
- (3) adjustment, alteration or modification of any kind;
- (4) a failure to comply with any applicable state, local, city, or county electrical, plumbing and/or building codes, regulations, or laws, including failure to install the product in strict conformity with local fire and building codes and regulations;
- (5) ordinary wear and tear, spills of food, liquid, grease accumulations, or other substances that accumulate on, in, or around the Product; and
- (6) any external, elemental and/or environmental forces and factors, including without limitation, rain, wind, sand, floods, fires, mud slides, freezing temperatures, excessive moisture or extended exposure to humidity, lightning, power surges, structural failures surrounding the appliance, and acts of God.

In no event shall Gaggenau have any liability or responsibility whatsoever for damage to surrounding property, including cabinetry, floors, ceilings, and other structures or objects around the Product. Also excluded from this warranty are scratches, nicks, minor dents, and cosmetic damages on external surfaces and exposed parts; Products on which the serial numbers have been altered, defaced, or removed; service visits to teach you how to use the Product, or visits where there is nothing wrong with the Product; correction of installation problems (you are solely responsible for any structure and setting for the Product, including all electrical, plumbing or other connecting facilities, for proper foundation/flooring, and for any alterations including without limitation cabinetry, walls, floors, shelving, etc.); and resetting of breakers or fuses.

TO THE EXTENT ALLOWED BY LAW, THIS WARRANTY SETS OUT YOUR EXCLUSIVE REMEDIES WITH RESPECT TO PRODUCT, WHETHER THE CLAIM ARISES IN CONTRACT OR TORT (INCLUDING STRICT LIABILITY, OR NEGLIGENCE) OR OTHERWISE. THIS WARRANTY IS IN LIEU OF ALL OTHER WARRANTIES, WHETHER EXPRESS OR IMPLIED. ANY WARRANTY IMPLIED BY LAW, WHETHER FOR MERCHANTABILITY OR FITNESS FOR A PARTICULAR PURPOSE, OR OTHERWISE, SHALL BE EFFECTIVE ONLY FOR THE PERIOD THAT THIS EXPRESS LIMITED WARRANTY IS EFFECTIVE. IN NO EVENT WILL THE MANUFACTURER BE LIABLE FOR CONSEQUENTIAL, SPECIAL, INCIDENTAL, INDIRECT, "BUSINESS LOSS", AND/OR PUNITIVE DAMAGES, LOSSES, OR EXPENSES, INCLUDING WITHOUT LIMITATION TIME AWAY FROM WORK, HOTELS AND/OR RESTAURANT MEALS, REMODELLING EXPENSES IN EXCESS OF DIRECT DAMAGES WHICH ARE DEFINITELY CAUSED EXCLUSIVELY BY GAGGENAU, OR OTHERWISE. SOME STATES DO NOT ALLOW THE EXCLUSION OR LIMITATION OF INCIDENTAL OR CONSEQUENTIAL DAMAGES, AND SOME STATES DO NOT ALLOW LIMITATIONS ON HOW LONG IMPLIED WARRANTY LASTS, SO THE ABOVE LIMITATIONS MAY NOT APPLY TO YOU. THIS WARRANTY GIVES YOU SPECIFIC LEGAL RIGHTS, AND YOU MAY ALSO HAVE OTHER RIGHTS, WHICH VARY FROM STATE TO STATE. No attempt to alter, modify or amend this warranty shall be effective unless authorized in writing by an officer of BSH.

How to Obtain Warranty Service: To obtain warranty service for your Product, you should contact the nearest Gaggenau authorized service center.

Félicitations et merci de Gaggenau !

Merci d'avoir choisi un lave-vaisselle Gaggenau. Vous rejoignez les nombreux consommateurs qui exigent un rendement silencieux et supérieur d'un lave-vaisselle.

Ce guide a été écrit en vue de la sécurité et du côté pratique, et l'information contenue ici est très importante. Nous recommandons de lire ce guide avant d'utiliser le lave-vaisselle la première fois.

Pour en connaître davantage sur le lave-vaisselle et les accessoires disponibles ainsi que sur les autres appareils Gaggenau de haute qualité, visiter le site www.gaggenau-usa.com.

Pour toute question ou tout commentaire.

Gaggenau

1901 Main Street, Suite 600

Irvine, CA 92614

USA

Phone +1.877.442.4436

info@gaggenau-usa.com

www.gaggenau-usa.com

| | |
|---|-------|
| Instructions de sécurité importantes..... | 25 |
| Caractéristiques et options du lave vaissell..... | 26 |
| Composants du lave-vaisselle..... | 27 |
| Caractéristiques et options..... | 28 |
| Sel..... | 29 |
| Detergent..... | 29 |
| D'agent de rinçage..... | 30 |
| Matériaux..... | 31 |
| Chargement du lave-vaisselle..... | 32-33 |
| Cycle de Lavage..... | 34 |
| Options et features additionnelles..... | 35-36 |
| Fonctionnement de l'appareil..... | 37 |
| Entretien..... | 38-39 |
| Aide..... | 40-41 |
| Service à la clientèle..... | 42 |
| Énoncé de la garantie limitée..... | 43 |



Instructions de sécurité importantes - Conserver ces Instructions

AVERTISSEMENT

Un usage inadéquat du lave-vaisselle peut causer des blessures sérieuses ou la mort. Ne pas utiliser l'appareil à des fins autres que celles indiquées dans ce guide ou à d'autres fins que ce qui est expliqué dans les pages suivantes.

Il peut en résulter des dommages au produit et/ou des blessures en utilisant les services d'un technicien non qualifié ou des pièces de rechange qui ne sont pas d'origine. Toute réparation doit être effectuée par un technicien qualifié qui utilise seulement des pièces de rechange d'origine.

Il peut en résulter un choc électrique ou un incendie, si l'alimentation électrique au lave-vaisselle décrit dans ce guide est installée inadéquatement ou si le lave-vaisselle n'est pas mis à la terre correctement. Ne pas utiliser l'appareil décrit dans ce guide en cas de doute quant à l'installation de l'alimentation électrique ou à la mise à la terre.

Ne jamais utiliser de produits chimiques pour nettoyer le lave-vaisselle. Certains produits nettoyants contenant du chlore peuvent endommager l'appareil et causer un risque pour la santé.

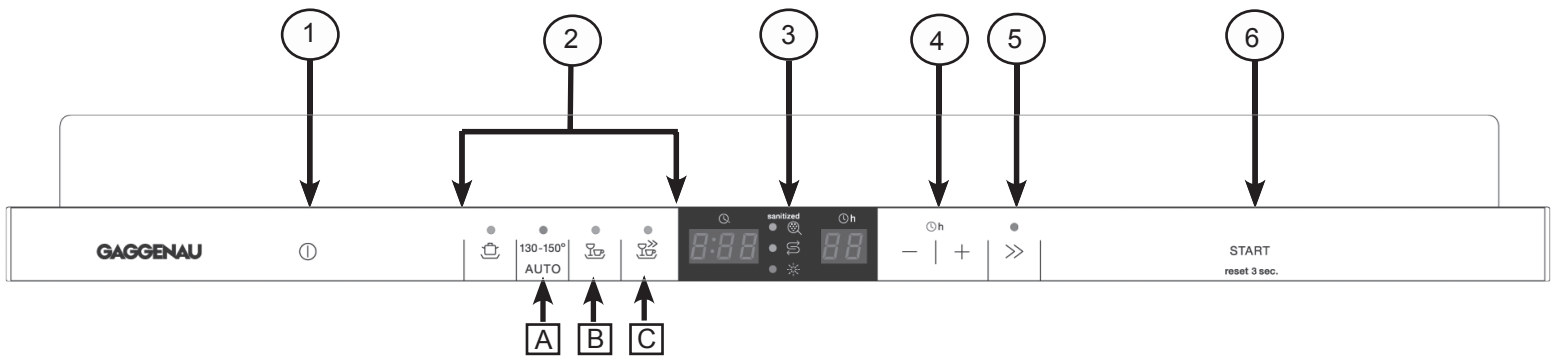
Avertissement : pour réduire le risque d'incendie, de choc électrique, de blessures, observer ce qui suit :

- Le lave-vaisselle est doté des instructions d'installation et d'un guide d'utilisation et d'entretien. Lire et comprendre toutes les instructions avant d'utiliser l'appareil.
- Cet appareil doit être mis à la terre sur un système de câblage permanent en métal ou un conducteur de mise à la terre d'équipement doit être acheminé avec les conducteurs de circuits et branché sur la borne de mise à la terre d'équipement ou le fil du lave-vaisselle. Voir les instructions d'installation comprises avec le lave-vaisselle pour plus de détails sur les exigences électriques.
- Utiliser le lave-vaisselle seulement pour l'usage auquel il est destiné soit, laver la vaisselle et les ustensiles de cuisine.
- Utiliser seulement les détergents et agents de rinçage recommandés pour les lave-vaisselle et conserver hors de la portée des enfants.
- Au moment de charger la vaisselle :
 - Placer les ustensiles affûtés afin qu'ils n'endommagent pas le joint de porte.
 - Placer les couteaux et autres ustensiles affûtés avec le MANCHE VERS LE HAUT pour réduire les risques de blessures.
- Ne pas laver les articles en plastique à moins qu'ils ne soient recommandés pour lave-vaisselle. Autrement, voir les recommandations du fabricant.
- Ne pas faire fonctionner le lave-vaisselle si les panneaux ne sont pas en place.
- Ne pas jouer ni outrepasser les commandes et les verrouillages.
- Ne pas abuser, s'asseoir, se tenir debout sur la porte ou les paniers du lave-vaisselle.
- Pour réduire le risque de blessures, ne pas laisser les enfants jouer dans ou avec l'appareil.
- Lorsque les enfants sont suffisamment âgés pour utiliser l'appareil, il incombe aux parents ou aux tuteurs légaux d'enseigner les consignes de sécurité.
- Dans certaines conditions, du gaz hydrogène peut se former dans un système d'eau chaude qui n'a pas été utilisé pendant deux semaines ou plus. L'hydrogène est un gaz explosif. Avant d'utiliser le lave-vaisselle qui n'a pas été utilisé pendant deux semaines ou plus, ouvrir tous les robinets d'eau chaude et laisser couler l'eau quelques minutes. Ceci permet à l'hydrogène de s'échapper. Puisque l'hydrogène est un gaz explosif, ne pas fumer ni utiliser une flamme nue à ce moment.
- Enlever la porte au moment de jeter un lave-vaisselle.
- Pour éviter tout dommage au plancher ou de la moisissure, ne pas laisser l'eau stagner autour ou sous l'appareil.
- **Protéger le lave-vaisselle des éléments, du gel, pour éviter tout dommage possible. Les dommages causés par le gel ne sont pas couverts par la garantie.**

AVIS

- Ne jamais utiliser de produits nettoyants à vapeur pour nettoyer le lave-vaisselle. Le fabricant n'est pas responsable des dommages ni des conséquences.
- Il est fortement recommandé à l'utilisateur de se familiariser avec la marche à suivre d'arrêt pour l'alimentation en eau ainsi que celle de l'alimentation électrique. Voir les instructions d'installation ou en parler avec l'installateur pour plus de détails.

Caractéristiques et options du lave vaisselle



1 - Touche marche-arrêt

2 - Cycles de lavage

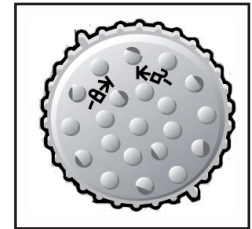
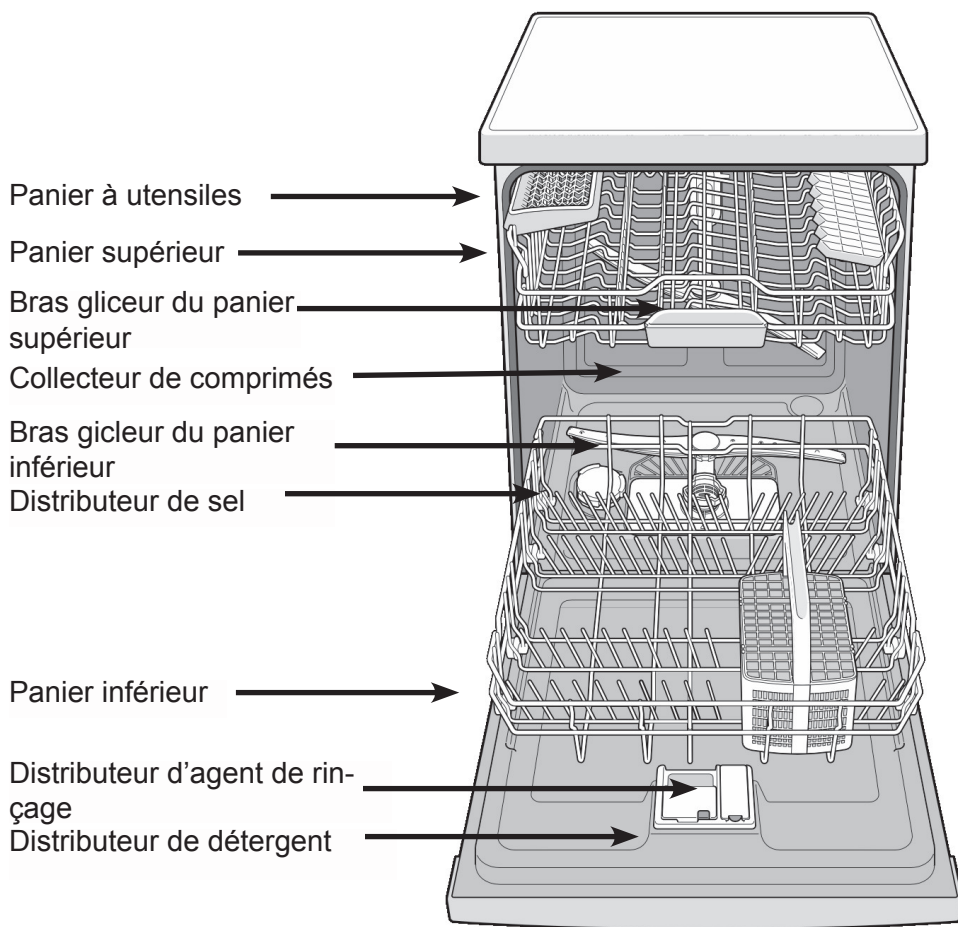
3 - Affichage numérique

4 - Marche différée

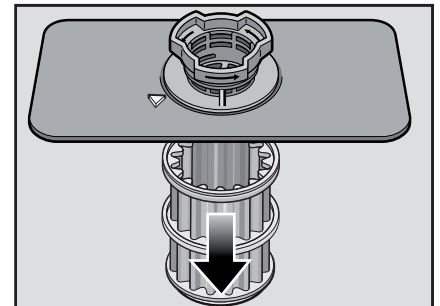
5 - Options de cycle additionnel

6 - Touche marche

Composants du lave-vaisselle



Systeme de filtration



Caractéristiques et options

Système d'adoucisseur d'eau

Le lave-vaisselle requiert une eau douce afin d'assurer un lavage approprié. L'eau du robinet supérieure à 7dh (de la valeur établie) doit être adoucie. L'eau est adoucie avec du sel (sel régénéré) dans le système d'adoucisseur du lave-vaisselle.

La quantité de sel requise dépend du degré de dureté de l'eau (voir le tableau).

La quantité de sel distribuée peut être réglée de "H:00" à "H:07". Le sel n'est pas requis si la valeur est à H:00.

- Ouvrir la porte.
- Mettre l'appareil en circuit avec la touche marche-arrêt .
- Maintenir la touche "A" et presser la touche **START** jusqu'à ce que l'affichage indique "H:00".
- Relâcher les touches.
- Presser la touche **B** jusqu'à ce que la réglage désirée s'affiche.

Pour changer le réglage,

- Presser la touche programme + ou - .
- Presser la touche **START**. La valeur réglée est sauvegardée.
- Fermer la porte

| | | | |
|--|---|--|---|
| Kurz eintauchen (1 sec), leicht abschütteln und nach 1 min ablesen. 4 grün/green/vert 1 rot/red/rouge 2 rot/red/rouge 3 rot/red/rouge 4 rot/red/rouge | Dip briefly (1 sec), shake off excess water and compare after 1 min. 4 grün/green/vert 1 rot/red/rouge 2 rot/red/rouge 3 rot/red/rouge 4 rot/red/rouge | Plongez brièvement (1 sec), égouttez l'excès d'eau et comparez après 1 min. <3°dH/ <3.75°e/ <5.4°f >4°dH/ >5°e/ >7.2°f >8.4°dH/ >10.5°e/ >15.1°f >14°dH/ >17.5°e/ >25.2°f >21°dH/ >26.25°e/ >37.8°f | AQUADUR® Teststäbchen zur Bestimmung der Wasserhärte Test stick for determination of water hardness Bandelette pour déterminer la dureté de l'eau |
|--|---|--|---|

AVERTISSEMENT

Ne jamais remplir le distributeur de sel avec du détergent. Ceci détruira le système d'adoucisseur d'eau.

Pour empêcher la corrosion, toujours remplir de sel immédiatement avant la mise en circuit de l'appareil.

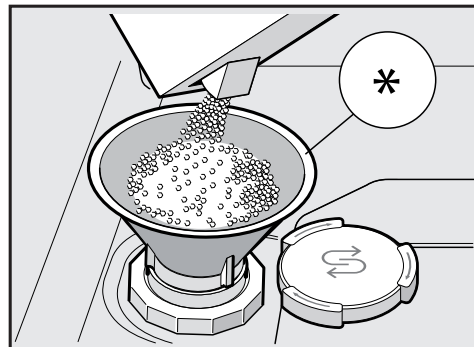
| L'eau dure et votre lave-vaisselle | | | | | | | | |
|--|--|--|---|-----|---------------------|----|-----|----|
| <p>Votre niveau de dureté de l'eau a un impact direct sur le rendement de votre lave-vaisselle. De l'eau dure augmentera les taches sur la vaisselle et réduira l'efficacité du détergent. Certains modèles de lave-vaisselles comprennent un adoucisseur d'eau qui emploie un sel spécial pour ajuster la dureté de l'eau afin d'obtenir un rendement optimal. Le sel est ajouté dans le compartiment à sel situé sous le panier inférieur du lave-vaisselle. La quantité de sel ajoutée dépend de la dureté de l'eau à votre domicile. La dureté de l'eau à votre domicile peut être mesurée à l'aide de la bandelette de test de dureté de l'eau incluse dans votre ensemble de manuel (ou offerte dans une quincaillerie de votre région). Le réglage d'adoucissement de l'eau du lave-vaisselle doit être ajusté en fonction de la dureté de votre eau.</p> | | | | | | | | |
| Instructions pour utiliser la « bandelette de test de dureté de l'eau » incluse | | | | | | | | |
| <ul style="list-style-type: none"> • Utilisez seulement du sel conçu pour les lave-vaisselles automatiques. N'utilisez jamais de sel adoucisseur d'eau pour la maison ou du sel de table. • Suivez les instructions ci-dessous pour la bandelette de test incluse (si vous achetez une autre bandelette, suivez les instructions du fabricant). Étape 1 - Laissez l'eau couler dans l'évier de la cuisine pendant 5 minutes. Étape 2 - Trempez l'extrémité avec les carrés de couleur de la bandelette de test dans l'eau courante pendant une seconde, puis secouez l'excédent d'eau. Étape 3 - Attendez une minute avant de comparer la bandelette de test avec le tableau ci-dessous pour déterminer le niveau de réglage d'adoucissement de l'eau du lave-vaisselle. Étape 4 - Ajustez le réglage d'adoucissement de l'eau. Consultez le manuel d'utilisation et d'entretien pour de plus amples renseignements. Étape 5 - Au besoin, ajoutez du sel dans le compartiment à sel tel qu'illustré dans le manuel d'utilisation et d'entretien. | | | | | | | | |
| Ajustement du réglage d'adoucissement de l'eau de votre lave-vaisselle (certains modèles seulement) | | | | | | | | |
| À l'aide de la bandelette de test comprise avec votre lave-vaisselle (les bandelettes de test achetées peuvent avoir une échelle différente) | Réglage d'adoucissement de l'eau du lave-vaisselle | Ajouter du sel au compartiment à sel du lave-vaisselle | Tableau de conversion de la dureté de l'eau (seulement nécessaire si vous achetez une autre bandelette de test) | | | | | |
| | | | ppm | | Grains/gallon (gpg) | | °dH | |
| | H:00 | Non | 0 | 116 | 0 | 6 | 0 | 6 |
| | H:01 | Oui | 117 | 152 | 7 | 8 | 7 | 8 |
| | H:02 | Oui | 153 | 188 | 9 | 10 | 9 | 10 |
| | H:03 | Oui | 189 | 223 | 11 | 13 | 11 | 12 |
| | H:04 | Oui | 224 | 294 | 14 | 17 | 13 | 16 |
| | H:05 | Oui | 295 | 383 | 18 | 22 | 17 | 21 |
| | H:06 | Oui | 384 | 544 | 23 | 31 | 22 | 30 |
| | H:07 | Oui | 545 | 890 | 32 | 52 | 31 | 50 |

Sel

Utilisation du sel

Toujours remplir de sel immédiatement avant de mettre l'appareil en circuit. Ceci permet de dissoudre le surplus de solution de sel et de ne pas corroder le réservoir de rinçage.

- Remplir le réservoir avec de l'eau (seulement requis au moment de la première mise en circuit de l'appareil).
- Ajouter du sel (pas de sel de table). L'eau est déplacée et s'écoule.
- Dès que l'indicateur de remplissage de sel s'allume sur le devant, remplir.



Détergent

Utiliser seulement du détergent conçu pour lave-vaisselle. Pour de meilleurs résultats, utiliser du détergent en poudre.

NOTICE

Pour éviter tout dommage au lave-vaisselle, ne pas utiliser de détergent à vaisselle à la main.

Le lave-vaisselle utilise moins d'eau, alors il faut moins de détergent. Avec de l'eau douce, 1 cuillère à table (15 ml) de détergent nettoie la plupart des charges. Le distributeur de détergent est doté de lignes pour mesurer le détergent de 1 c. à table (15 ml) et 1,75 c. à table (25 ml). 3 c. à table (45 ml) de détergent remplissent complètement le distributeur.

NOTE: Pour éviter tout dommage au lave-vaisselle, ne pas trop utiliser de détergent si l'alimentation en eau est douce. Trop de détergent avec de l'eau douce cause des égratignures sur les verres.

Pour fermer:

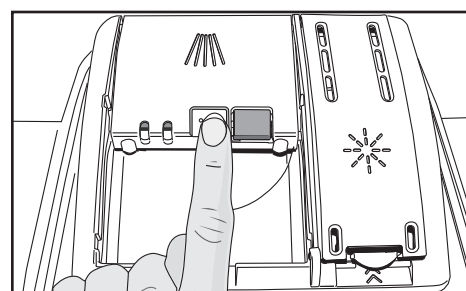
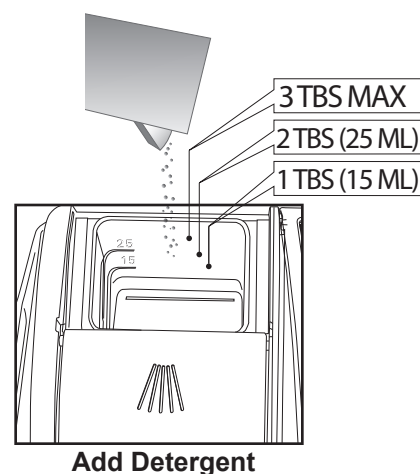
Placer le doigt comme à la figure, faire glisser vers l'avant, puis presser jusqu'à ce qu'il y ait un CLIC

Pour ouvrir:

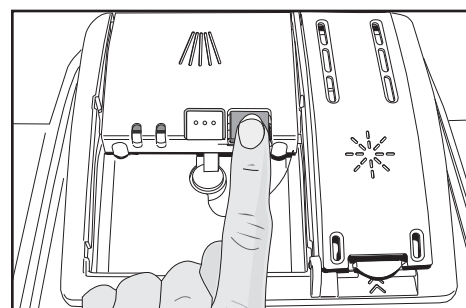
Pousser le bouton



REMARQUE: si l'on ne connaît pas la dureté de l'alimentation en eau, utiliser 15 ml de détergent. Augmenter la quantité au besoin jusqu'à la quantité minimale pour nettoyer la vaisselle et les ustensiles.



Pour fermer




Pour ouvrir le couvercle

D'agent de rinçage

Pour obtenir un séchage approprié, utiliser un agent de rinçage liquide, même si le détergent contient un agent de rinçage ou un additif de séchage.

Distributeur d'agent de rinçage

Ouvrir le distributeur d'agent de rinçage en soulevant la languette avec le pouce.

NOTE: REMARQUE : le lave-vaisselle indique si l'agent de rinçage est bas en montant le symbole  à l'affichage à rebours ou le voyant s'allume (selon le modèle).

Ajouter l'agent de rinçage dans le distributeur comme montré, jusqu'à ce que le réservoir soit plein. Essuyer tout déversement survenant lorsque le réservoir est plein.

Réglage de la quantité d'agent de rinçage

La quantité d'agent de rinçage distribuée peut être réglée de "r:00" à "r:06"

- Ouvrir la porte.
- Mettre l'appareil en circuit en pressant la touche marche-arrêt.
- Maintenir la touche "A" et presser la touche START jusqu'à ce que l'affichage indique "r:00".
- Relâcher les touches.
- Presser la touche C jusqu'à ce que la langue désirée s'affiche
- Presser la touche START. La valeur est sauvegardée.
- Fermer la porte.

Relâcher les deux touches.

Presser + ou – pour choisir le réglage désiré.

«r:00» distributeur d'agent de rinçage hors circuit.

«r:01» distributeur d'agent de rinçage au plus bas réglage.

«r:02» distributeur d'agent de rinçage au réglage bas.

«r:03» distributeur d'agent de rinçage au réglage moyen.

«r:04» distributeur d'agent de rinçage au réglage moyen élevé

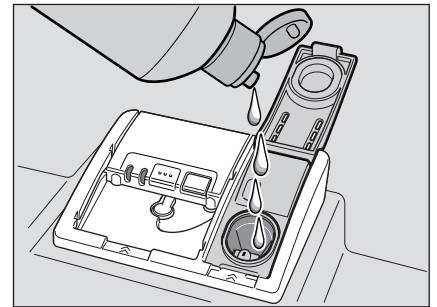
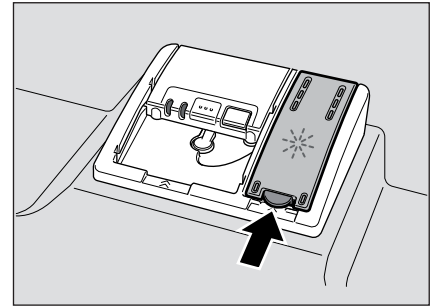
«r:05» distributeur d'agent de rinçage au réglage élevé.

«r:06» distributeur d'agent de rinçage au plus haut réglage.

Fermer l'indicateur de remplissage d'agent de rinçage

Procéder tel qu'il est décrit à Réglage de la quantité d'agent de rinçage et régler la valeur à r : 00. L'indicateur est maintenant hors circuit.

REMARQUE : ne pas changer la quantité d'agent de rinçage à moins qu'il n'y ait des rayures (choisir le réglage bas) ou des taches (choisir le réglage élevé) sur les ustensiles.



MATÉRIAUX

REMARQUE: avant d'utiliser le lave-vaisselle la première fois, vérifier l'information ci-dessous. Certains articles ne conviennent pas au lave-vaisselle et devraient être lavés à la main. Communiquer avec le fabricant de l'article en cas d'incertitude quant à savoir si un article va au lave-vaisselle ou non.

Recommandés

Aluminium: l'aluminium anodisé coloré peut s'estomper avec le temps. Les minéraux dans l'eau peuvent causer des taches ou noircir l'aluminium. Ceci peut habituellement être enlevé à l'aide d'un tampon en laine d'acier savonneux.

Porcelaine, cristal, faïence: certains articles peints à la main peuvent se décolorer, pâlir ou tacher. Laver à la main. Positionner la verrerie de façon à ce qu'elle ne s'entrechoque pas avec les autres pièces pendant le lavage.

Verre: les verres de lait peuvent jaunir.

Enduits non adhésifs: appliquer une légère couche d'huile végétale légère sur les surfaces antiadhésives après le séchage.

Plastique: s'assurer que les articles peuvent aller au lave-vaisselle.

Acier inoxydable, argent fin, argent plaqué: pour éviter la corrosion, placer les articles fabriqués de différents métaux de façon à ce qu'ils n'entrent pas en contact les uns avec les autres.

Non recommandé

Acrylique: des craquelures peuvent survenir.

Pièces collées: les adhésifs qui relient les joints comme du plastique, bois, os, cuivre, étain, etc. peuvent se défaire.

Ustensiles avec manches en os: les manches peuvent se détacher.

Fer: Laver à la main et assécher immédiatement.

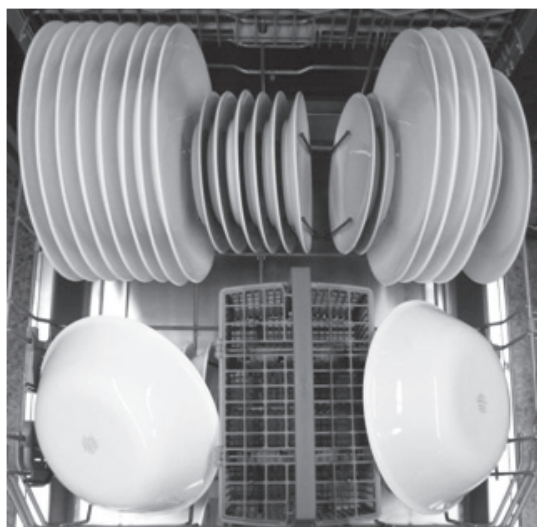
Articles n'allant pas au lave-vaisselle: le lave-vaisselle est destiné à des fins de nettoyage de vaisselle et accessoires de cuisine standard SEULE MENT .

Étain, laiton, bronze: l'étain ternit. Laver à la main et assécher immédiatement.

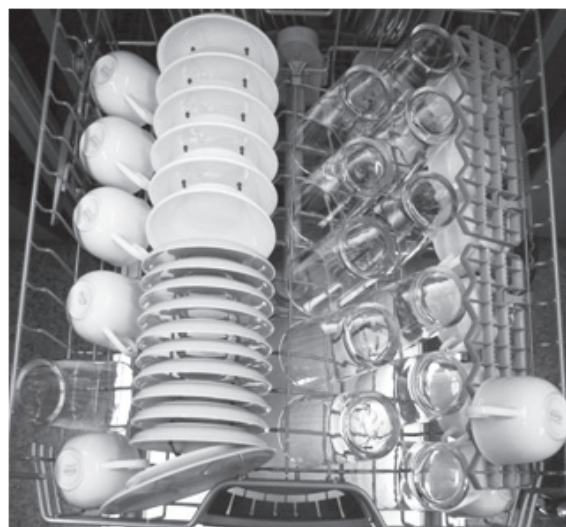
Fer blanc: rouillera. Laver à la main et assécher immédiatement.

Bois: les bols, ustensiles et manches en bois peuvent craqueler, se voiler et perdre leur fini.

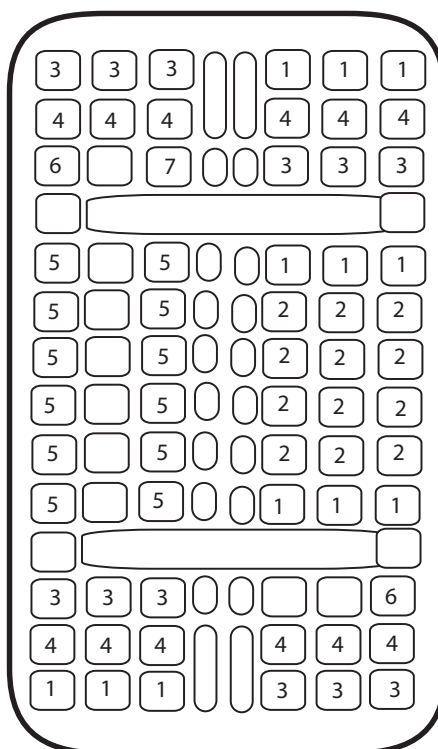
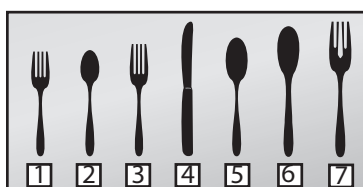
PANIER SUPÉRIEUR - COUVERTS



PANIER INFÉRIEUR - 12 COUVERTS



PANIER À USTENSILES - 12 COUVERTS



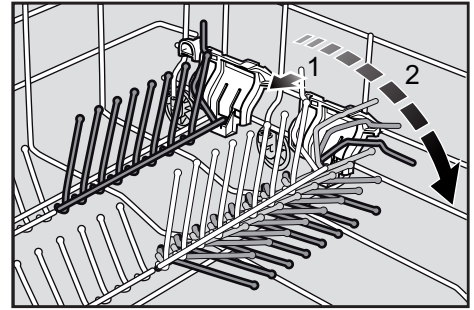
Chargement du lave-vaisselle

Ne pas prélever les articles ayant des résidus peu incrustés. Enlever les grosses particules comme os, graines, cure-dents, graisse excessive. Les articles ayant des résidus incrustés peuvent nécessiter un prétrempage.

Charger seulement des articles allant au lave-vaisselle. Charger la vaisselle dans la panier afin que les bols, pots, casseroles soient face vers le bas. Éviter d'empiler la vaisselle, éviter qu'elle soit en contact les unes avec les autres. Séparer les articles de métaux différents.

Flip Tines

Flip Tines fold down to make loading the baskets easier in some instances. Grasp the tines, release from notch, and fold the tines downward. When the top basket is loaded, push it into the dishwasher.

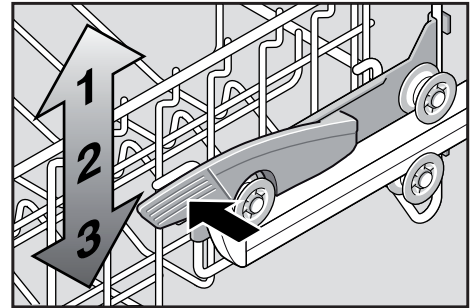


Réglage de la hauteur du panier

La hauteur du panier à ustensiles supérieur peut être réglée à 3 niveaux pour créer plus d'espace dans le panier supérieur ou inférieur.

- Tirer le panier supérieur.
- Pour abaisser le panier, pousser les leviers vers l'intérieur et le haut.
- Pour lever le panier, maintenir le panier par les côtés du bord supérieur et soulever.

Avant de réinsérer le panier, s'assurer qu'il est à la même hauteur des deux côtés. Autrement, la porte ne peut être fermée et le bras gicleur supérieur ne se branchera pas sur l'alimentation en eau.



Cycle de lavage

Pots & Pans

Nettoie articles ayant cuit dur ou sur sols secs alimentaires sur. Ces articles peuvent nécessiter trempage ou lavage à la main.

AUTO 130 - 150 °F

Prend la conjecture hors de sélection de cycle. Les capteurs dans le lave-vaisselle ajuste automatiquement la longueur du cycle de changements, la température et l'eau en fonction de la charge du sol. Ce cycle est approprié pour les charges mixtes.

Normal

Nettoie les grandes charges ayant des aliments peu incrustés.

Remarque: Le Label Guide de l'énergie a été basée sur ce programme de détection du sol avec toutes les options disponibles éteint. Comme le prévoit la procédure de test de l'énergie, l'appareil a été testé sans aucun agent de rinçage dans le distributeur d'agent de rinçage. Une seule dose de détergent a été utilisé dans le distributeur de détergent, sans détergent utilisé dans le pré-lavage. Le test a été réalisé avec le panier supérieur en position médiane. Voir l'annexe A pour le modèle de charge de l'énergie essai.

Quick Wash

Por les articles peu sales.

| | Pots & Pans Sanitize Qualified | AUTO 130- 150° | Normal | Quick Wash |
|---------------------------------|-----------------------------------|-------------------|------------|------------|
| Durée cycle (minutes) | 110 - 135 | 105 - 129 | 95 - 119 | 30 |
| Consommation d'eau (l) | 18.1 - 23.7 | 13.1 - 24.9 | 5.8 - 16.9 | 10.3 |
| Consommation d'eau (gallons) | 4.8 - 6.3 | 3.5 - 6.6 | 1.5 - 4.5 | 2.7 |
| Température de lavage | 150 - 160 | 130 - 150 | 122 - 131 | 113 |
| Température de rinçage | 162 | 158 | 124 - 156 | 122 |

Options additionnelles

Puissance >>

La durée du cycle est réduite de façon significative. La consommation d'énergie est augmentée jusqu'à 30 % à cause de la chaleur intense.

CARACTÉRISTIQUES additionnelles

Système de gestion de lavage EcoSense*

Un système de capteur perfectionné détermine le niveau de saleté de l'eau de lavage et annule automatiquement le remplissage d'eau fraîche si cela est nécessaire. Cela permet d'économiser temps et argent ainsi que l'énergie.

Hygiénique

Un cycle doté du symbole hygiénique a été testé afin de répondre aux exigences de durée de lavage et de température d'eau pour que la vaisselle et les ustensiles soient sanitaires.

Indicateur temps résiduel

Lorsqu'un programme est sélectionné, le temps résiduel du programme est indiqué à l'affichage numérique. Le temps résiduel est déterminé pendant le programme par la température de l'eau, le nombre d'articles et le niveau de saleté. Il peut varier selon le programme sélectionné.

Delay Start (Marche différée)

L'on peut retarder la mise en marche de 1 h à 24 h.

- Ouvrir la porte, mettre l'appareil en circuit.
- Presser la touche **A** jusqu'à ce que l'affichage de programmation passe à « **h:00** ».
- Presser la touche **A** jusqu'à ce que la durée désirée s'affiche.
- Presser la touche **[START]**, la programmation minutée est activée.
- Presser la touche **[+]** ou **[-]** jusqu'à ce que « **h:00** » à l'affichage.
- L'on peut changer la sélection de programme en tout temps jusqu'à ce que le programme commence.
- Fermer la porte.

Signal de fin de cycle

La fin du cycle est indiquée par une tonalité. Cette fonction peut être modifiée comme suit :

- Ouvrir la porte.
- Allumer le lave-vaisselle en appuyant sur **ON/OFF** (Activer/Désactiver).
- Maintenir la touche **A** enfoncée et appuyer et maintenir la touche **START** (Démarrer) enfoncée jusqu'à ce que l'affichage indique « **H:00** ». Relâcher les deux touches.
- Appuyer sur **A** jusqu'à ce que l'affichage indique « **b:02** ».
- Appuyer sur **C** pour augmenter ou diminuer la tonalité du signal entre « **b:00** » = désactiver et « **b:03** » = maximum.
- Appuyer sur **[START]** (Démarrer) pour sauvegarder le paramètre.
- Fermer la porte.

* Selon le modèle

Séchage Intensif

Le rinçage final utilise une température plus élevée afin d'améliorer les résultats de séchage.

La durée d'exécution peut légèrement augmenter. (Faire attention si les ustensiles sont délicats !)

- Ouvrir la porte.
- Allumer le lave-vaisselle en appuyant sur **ON/OFF** (Activer/Désactiver).
- Maintenir la touche **A** enfoncée et appuyer et maintenir la touche **START** (Démarrer) enfoncée jusqu'à ce que l'affichage indique « **H:00** ». Relâcher les deux touches.
- Appuyer sur **A** jusqu'à ce que l'affichage indique « **d:00** ».
- Appuyer sur **C** pour activer le séchage intensif « **d:01** » = activer et « **d:00** » = désactiver.
- Appuyer sur **START** pour sauvegarder le paramètre.
- Fermer la porte.

Mise hors tension automatique

Pour économiser l'énergie, le lave-vaisselle est tourné outre de 1 minute après les fins de cycle de lavage. La mise hors tension automatique peut être ajustée de « **P:00** » « à **P:02** ».

- Ouvrir la porte.
- Allumer le lave-vaisselle en appuyant sur **ON/OFF** (Activer/Désactiver).
- Maintenir la touche **A** enfoncée et appuyer et maintenir la touche **START** (Démarrer) enfoncée jusqu'à ce que l'affichage indique « **H:00** ». Relâcher les deux touches.
- Appuyer sur **A** jusqu'à ce que l'affichage indique « **P:01** ».
- Appuyer sur **C** pour sélectionner le paramètre souhaité. « **P:00** » = le lave-vaisselle ne s'éteint pas automatiquement, « **P:01** » = le lave-vaisselle s'éteint automatiquement après 1 minute, « **P:02** » = le lave-vaisselle s'éteint automatiquement après 120 minutes (2 heures)
- Appuyer sur **START** pour sauvegarder le paramètre.
- Fermer la porte.

Fonctionnement de l'appareil

Mise en marche de l'appareil

- Ouvrir la porte.
- Allumer le lave-vaisselle en appuyant sur **ON/OFF** (Activer/Désactiver). Le voyant DEL du dernier cycle sélectionné clignote.
- Vous pouvez sélectionner un cycle différent ou conserver le même cycle.
- Appuyer sur **START** (Démarrer).
- Fermer la porte. Le cycle sélectionné démarre.

Interruption du cycle

- Ouvrir la porte.
- Appuyer sur **ON/OFF** (Activer/Désactiver). Les voyants DEL s'éteignent. Le cycle est sauvegardé. Si la porte a été ouverte sur un appareil avec raccordement d'eau chaude ou chauffée, entrouvrir légèrement la porte et patienter quelques minutes, puis fermer la porte. Sinon, la pression qui existe à l'intérieur du lave-vaisselle peut forcer l'ouverture de la porte ou l'eau risque de jaillir de l'appareil.
- Pour continuer le cycle, appuyer de nouveau sur **ON/OFF** (Activer/Désactiver).
- Fermer la porte.

Fin du cycle

Lorsque l'affichage indique « **0:00** », le cycle est terminé. La fin du cycle est également indiquée par un signal de fin de cycle sur certains modèles (consulter la section « Signal de fin de cycle » - page 16).

- Ouvrir la porte.
- Appuyer et maintenir la touche **START** (Démarrer) enfoncée pendant environ 4 seconde jusqu'à ce que « **0:01** » clignote sur l'affichage.
- Fermer la porte. Le cycle dure environ 1 minute.
- Ouvrir la porte.
- L'affichage indique « **0:00** ».
- Appuyer sur **ON/OFF** (Activer/Désactiver).
- Fermer la porte.

Verrouillage enfant *

L'enfant de verrouillage est conçu pour empêcher les enfants de l'ouverture du lave-vaisselle.

- Pour verrouiller la porte, poussez le curseur au-dessous de la poignée de porte à droite.
- Pour déverrouiller la porte, poussez le curseur vers la gauche

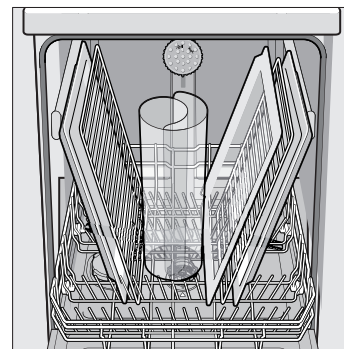
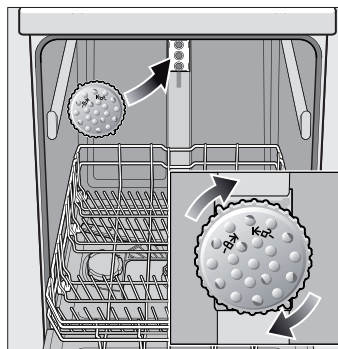


Tête de gicleur pour plaque à cuisson *

Si un article est trop grand pour être placé dans le panier inférieur même si le panier supérieur est élevé, enlever ce dernier vide en le tirant hors du lave-vaisselle jusqu'à ce qu'il s'arrête. Tirer le panier vers le haut et jusqu'à ce que les roulettes se libèrent des guides. Mettre le panier de côté. Pousser les guides au fond du lave-vaisselle.

Insérer le gicleur pour grands articles dans la prise du gicleur du panier supérieur et le tourner dans le sens horaire pour le verrouiller en place. Placer les articles dans le panier inférieur, tel qu'il est illustré.

REMARQUE : laisser l'évent du côté droit de la cuve libre en plaçant les articles tels planches à découper et plaque à biscuits du côté gauche, au centre et à l'arrière.



Entretien

Une vérification et un entretien régulier de l'appareil permet d'éviter les problèmes et économise du temps et de l'argent.

Conditions générales

Vérifier s'il y a de la graisse ou des résidus sur le bras gicleur. S'il y a des résidus :

- Ajouter du détergent dans le compartiment à détergent.
- Faire fonctionner l'appareil sans charge à la température de rinçage la plus élevée.

Nettoyer l'appareil avec un détergent conçu pour les lave-vaisselle.

- Nettoyer régulièrement le joint de la porte avec un chiffon humide

Ne jamais utiliser un nettoyeur à vapeur avec le lave-vaisselle. Le fabricant n'est pas responsable des dommages encourus.

Essuyer régulièrement le devant de l'appareil avec un chiffon humide (une solution d'eau et de détergent est adéquate).

Ne pas utiliser d'éponge à surface rugueuse ni de détergent abrasif car ils peuvent endommager les surfaces.

Appareil en acier inoxydable : pour éviter la corrosion, ne pas utiliser de chiffon éponge, ni laver plusieurs fois avant d'utiliser l'appareil la première fois.

Filtres

Les filtres permettent de garder les objets étrangers de l'eau de rinçage loin de la pompe. Ils peuvent parfois obstruer les filtres.

Le système de filtre comprend une crépine, un filtre plat fin et un micro-filtre.

- Après chaque lavage, vérifier les filtres.
- Dévisser le filtre cylindrique tel qu'il est illustré et le sortir.
- Enlever tout résidu et le passer à l'eau courante.
- Réinstaller le système de filtre et s'assurer que les flèches sont à l'opposées l'une de l'autre une fois le système de filtre fermé



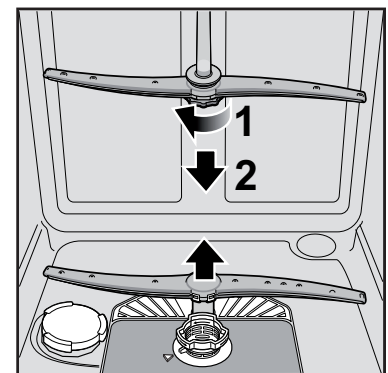
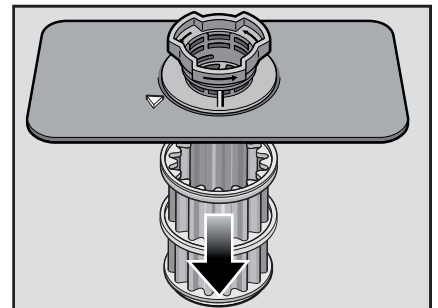
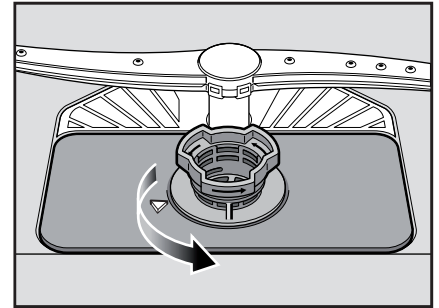
ATTENTION

Pour éviter toute blessure, ne pas prendre les gros objets coincés avec les doigts. La crépine peut contenir des objets affûtés.

Bras gicleurs

Du calcaire ou des contaminants dans l'eau de rinçage peuvent obstruer les embouts et les roulements des bras gicleurs.

- Vérifier si les embouts des bras gicleurs sont obstrués.
- Dévisser le bras gicleur supérieur.
- Enlever le bras gicleur inférieur

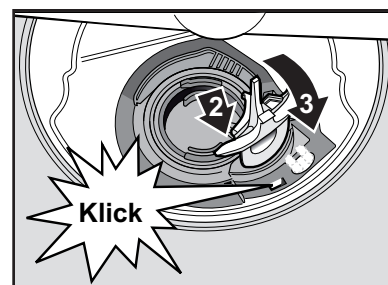
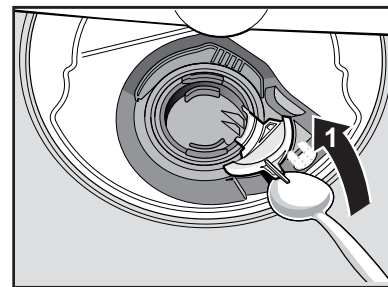


Pompe d'eau usée

- Les résidus d'aliments de l'eau de rinçage non captés par les filtres peuvent obstruer la pompe à eau usée. L'eau de rinçage ne peut être pompée et recouvre le filtre.

Dans ce cas :

- Débrancher l'appareil de l'alimentation électrique.
- Enlever les filtres.
- Vider l'eau à l'aide d'une éponge, au besoin.
- Avec une cuillère, enlever le couvercle de la pompe, tel qu'il est illustré, ensuite prendre le couvercle par la languette et tirer vers le haut jusqu'à résistance, puis le sortir.
- Vérifier l'intérieur du compartiment et enlever tout objet étranger.
- Remettre le couvercle à sa position d'origine.
- Installer le filtre.



Aide

Le lave-vaisselle peut parfois présenter des problèmes non reliés à un mauvais fonctionnement de l'appareil. L'information suivante peut aider à résoudre le problème sans avoir à faire un appel de service.

| Problème | Cause | Action à prendre |
|--|--|---|
| Le lave-vaisselle ne se met pas en marche | <ol style="list-style-type: none"> 1. La porte est mal enclenchée 2. L'appareil n'est pas en circuit 3. L'appareil ne se remet pas ou le cycle précédent n'est pas complété 4. Mise en marche différée activée 5. Interruption d'alimentation électrique ou fusible grillé 6. Verrouillage enfant activé (certains modèles) 7. La porte a peut-être été fermée sans avoir sélectionné un cycle 8. L'alimentation en eau n'est pas ouverte. | <ol style="list-style-type: none"> 1. Fermer complètement la porte. 2. Presser l'interrupteur principal pour mettre ne circuit 3. Pour la remise, voir «annuler ou changer un cycle» 4. Pour la remise, voir «marche différée» 5. Vérifier le coupe-circuit 6. Désactiver le verrouillage enfant. Voir «verrouillage enfant» 7. Choisir un cycle et fermer la porte 8. Vérifier et ouvrir l'alimentation en eau |
| Le lave-vaisselle fait une tonalité (signal de fin de cycle) | Réglage par défaut en usine avisant que le cycle est complété. Cette fonction peut être désactivée. | Pour régler le volume ou désactiver, voir «signal de fin de cycle» |
| L'affichage ne s'allume pas ni les voyants du panneau | <ol style="list-style-type: none"> 1. Fusible grillé ou coupe-circuit déclenché 2. Porte mal fermée ou enclenchée <p>Remarque : pour les modèles avec contrôles sur le dessus de la porte, l'affichage ne s'allume que lorsque la porte est ouverte et les contrôles visibles.</p> | <ol style="list-style-type: none"> 1. Vérifier le fusible (le remplacer au besoin) et le coupe-circuit (le réenclencher au besoin). 2. S'assurer que la porte est bien enclenchée |
| Le lave-vaisselle semble fonctionner longtemps | <ol style="list-style-type: none"> 1. L'eau de remplissage n'est pas assez chaude 2. La durée du cycle peut varier selon la saleté et la température de l'eau 3. Le distributeur d'agent de rinçage est vide 4. L'appareil est branché sur l'alimentation en eau froide. <p>Remarque : voir «données au tableau de cycles» concernant la durée d'un cycle</p> | <ol style="list-style-type: none"> 1. Avant de commencer un cycle, faire couler l'eau chaude à l'évier près du lave-vaisselle. 2. Les capteurs du lave-vaisselle augmentent automatiquement la durée du cycle afin d'en assurer un bon lavage selon la quantité de saleté 3. Ajouter de l'agent de rinçage 4. S'assurer que l'appareil est branché sur l'alimentation en eau chaude. |
| La vaisselle n'est pas suffisamment propre | <ol style="list-style-type: none"> 1. Le mouvement du bras gicleur est obstrué 2. Les embouts de bras gicleurs sont obstrués 3. Mauvais détergent utilisé 4. Les filtres peuvent être obstrués 5. La vaisselle est empilée ou articles trop près des uns des autres 6. Le cycle choisi ne convient pas à l'état de la charge | <ol style="list-style-type: none"> 1. S'assurer que le mouvement du bras n'est pas obstrué en le tournant à la main 2. Enlever le bras gicleur et le nettoyer ; voir «vérifier et nettoyer les embouts de bras gicleurs» à la rubrique entretien 3. Augmenter ou diminuer le détergent selon la dureté de l'eau. Voir «ajout de détergent et d'agent de rinçage» 4. Nettoyer le filtre. Voir «vérifier et nettoyer le système de filtre» 5. Réarranger la charge afin que les jets d'eau atteignent tous les articles, voir aussi «préparation et chargement» 6. Voir «cycles de lavage» à la rubrique fonctionnement |
| La vaisselle n'est pas assez sèche | <ol style="list-style-type: none"> 1. Le distributeur d'agent de rinçage est vide (voyant activé) 2. Mauvais chargement de la vaisselle 3. Le cycle choisi ne comprend pas le séchage <p>Remarque : le plastique et le téflon ne sèchent pas autant que les autres articles à cause de leurs propriétés inhérentes.</p> | <ol style="list-style-type: none"> 1. Ajouter de l'agent de rinçage pour améliorer le séchage 2. Réarranger la charge. Voir «préparation et chargement» 3. Le cycle de rinçage et attente n'inclut pas le séchage <p>Remarque : certains modèles offrent des options de chaleur additionnelle pour améliorer le séchage. Voir «options de cycles de lavage» à la rubrique fonctionnement</p> |

| Problem | Cause | Action |
|---|--|---|
| Le lave-vaisselle ne se remplit pas d'eau | <ol style="list-style-type: none"> 1. Système d'alimentation en eau obstrué 2. Cycle de lavage précédent non terminé 3. Marche différée activée | <ol style="list-style-type: none"> 1. S'assurer que la soupape d'alimentation en eau (habituellement située sous l'évier de la cuisine) est ouvert et qu'il n'y a pas d'obstruction 2. Voir «annuler ou changer un cycle» 3. Annuler la marche différée ou attendre que la durée différée soit complétée. Voir «marche différée» |
| Fuites d'eau | <ol style="list-style-type: none"> 1. Savon 2. Joint de porte hors de sa rainure 3. Événement de condensation obstrué 4. Mauvaise installation | <ol style="list-style-type: none"> 1. Mauvais type de détergent causant de la mousse et des fuites. Utiliser seulement ceux conçus pour les lave-vaisselle. Si la mousse persiste, ajouter une c. à table d'huile végétale au fond du lave-vaisselle et actionner le cycle désiré. 2. S'assurer que le joint est bien en place. 3. S'assurer que l'événement n'est pas obstrué. Voir «charger de grands articles» à la rubrique préparation et chargement 4. Faire vérifier l'installation par un technicien qualifié (alimentation en eau, système de drainage, niveau, plomberie) |
| Taches dans la cuve | <ol style="list-style-type: none"> 1. Les taches à l'intérieur du lave-vaisselle sont causées par une eau dure 2. Argenterie en contact avec la cuve | <ol style="list-style-type: none"> 1. Du jus de citron concentré peut réduire l'accumulation des taches causées par l'eau calcaire. Effectuer un cycle normal jusqu'au drainage, interrompre le cycle, mettre une tasse de 8 onces de solution de jus de citron concentré dans le panier supérieur et terminer le cycle. Ceci peut être fait périodiquement. 2. Ensure that the silverware does not make contact with the tub while running a cycle. |
| Rayures sur les verres ou résidus sur la vaisselle | Mauvais réglage de l'agent de rinçage | Selon la dureté de l'eau, régler le distributeur d'agent de rinçage. Voir «ajout de détergent et d'agent de rinçage» pour un réglage manuel |
| Panneau avant décoloré ou avec marques | Utilisation d'un nettoyant abrasif | Utiliser un détergent doux avec un chiffon doux |
| Bruit pendant le lavage | La vaisselle est mal placée | Les bruits de circulation d'eau sont normaux, mais si un article semble frapper un autre ou le bras gicleur, voir «préparation et chargement» pour l'emplacement de la vaisselle |
| Couvercle du distributeur de détergent ne s'ouvrant pas | <ol style="list-style-type: none"> 1. Mauvais fonctionnement du couvercle 2. Cycle précédent non terminé, remis ou interrompu | <ol style="list-style-type: none"> 1. Voir «ajout de détergent et d'agent de rinçage» concernant l'ouverture et la fermeture du couvercle 2. Voir «annuler ou changer un cycle» |
| Impossible de choisir le cycle désiré | Cycle précédent non terminé | Voir «annuler ou changer un cycle» |

Service à la clientèle

Le lave-vaisselle Gaggenau ne requiert aucun autre entretien que celui décrit à la rubrique entretien. Si le lave-vaisselle présente un problème, avant d'effectuer un appel de service, consulter la rubrique aide. Si un service est nécessaire, communiquer avec le marchand ou l'installateur ou un centre de service autorisé. Ne pas tenter de réparer l'appareil. Tout service effectué par une personne non qualifiée peut annuler la garantie

Si l'on éprouve des problèmes avec le lave-vaisselle Gaggenau, et que le service n'est pas satisfaisant, suivre les étapes ci-dessous (dans l'ordre donné) jusqu'à ce que le problème soit corrigé de façon satisfaisante:

1. Communiquer avec l'installateur ou un centre de service autorisé Gaggenau dans la région.
2. Communiquer avec le service à la clientèle du site www.gaggenau-usa.com
3. Téléphoner au 1.877.442.4436.

ÉNONCÉ DE GARANTIE LIMITÉE DES PRODUITS

Ce que couvre cette garantie et à qui elle s'applique : La garantie limitée fournie par BSH Home Appliances (« Gaggenau ») dans le présent énoncé de garantie limitée des produits s'applique uniquement à l'appareil Gaggenau (le « produit ») qui vous est vendu, soit le premier acheteur à l'utiliser, à la condition que le produit ait été acheté : 1) pour votre usage domestique normal (non commercial) et qu'il ait effectivement en tout temps été utilisé uniquement à des fins domestiques normales; 2) à l'état neuf au détail (et non comme un modèle d'exposition, « tel quel » ou ayant déjà été retourné), et non à des fins de revente ou d'utilisation commerciale; et 3) aux États-Unis ou au Canada, et qu'il soit en tout temps demeuré dans le pays de l'achat initial. Les garanties énoncées dans les présentes s'appliquent uniquement à l'acheteur initial du Produit et ne sont pas cessibles.

• Assurez-vous de retourner votre carte d'enregistrement; bien que ce ne soit pas nécessaire de le faire pour que la garantie soit valide, c'est la meilleure façon de permettre à Gaggenau de vous informer dans l'éventualité improbable d'un avis de sécurité ou d'un rappel de produit.

Durée de la garantie : Gaggenau garantit que le produit est exempt de vice de matériel ou de malfaçon pendant une période de mille huit cent vingt-cinq (1825) jours (5 ans) à compter de la date de l'achat. Cette durée commence à courir à la date de l'achat et ne doit pas pour quelque raison que ce soit être différée, faire l'objet de droits, être prolongée ou interrompue.

Votre recours exclusif se limite à la réparation ou au remplacement : Pendant la période de la présente garantie, Gaggenau ou l'un de ses fournisseurs de service après-vente agréés réparera votre produit sans frais (sous réserve de certaines restrictions précisées dans les présentes) s'il est démontré que la fabrication de votre produit présente un vice de matériel ou de malfaçon. Si des tentatives raisonnables de réparation du produit ont été faites sans succès, alors Gaggenau remplacera votre produit (des modèles améliorés peuvent vous être offerts, au gré absolu de Gaggenau moyennant des frais supplémentaires). Toutes les pièces et tous les composants enlevés deviennent la propriété de Gaggenau à son gré absolu. Toutes les pièces remplacées et/ou réparées sont assimilables à la pièce d'origine aux fins de la présente garantie, cette dernière n'étant pas prolongée en ce qui concerne d'une telle pièce. L'unique responsabilité de Gaggenau consiste à réparer un produit comportant un vice de fabrication uniquement, en ayant recours à un fournisseur de service après-vente agréé de Gaggenau pendant les heures normales d'ouverture. Pour des questions de sécurité et pour éviter tout dommage matériel, Gaggenau vous recommande fortement de ne pas tenter de réparer vous-même le produit ou d'avoir recours à un réparateur non agréé; Gaggenau ne sera pas responsable des réparations ou du travail effectués par un fournisseur de service non agréé. Si vous choisissez de demander à une personne qui n'est pas un fournisseur de service après-vente agréé de travailler sur votre produit, LA PRÉSENTE GARANTIE DEVIENDRA AUTOMATIQUEMENT NULLE ET SANS EFFET. Les fournisseurs de service après-vente agréés sont des personnes ou des sociétés ayant reçu une formation spéciale pour les produits de la Société et qui jouissent, de l'avis de Gaggenau, d'une réputation supérieure en matière de service à la clientèle et de compétences techniques (veuillez noter qu'il s'agit d'entités indépendantes et non de mandataires, d'associés, de membres du groupe ou de représentants de la Gaggenau). Malgré ce qui précède, Gaggenau n'assumera aucune responsabilité à l'égard du produit s'il se trouve dans une région éloignée (à plus de 100 milles d'un fournisseur de service après-vente agréé) ou s'il est raisonnablement inaccessible, s'il se trouve dans un lieu, un milieu ou un environnement dangereux ou traître, auquel cas, si vous le demandez, Gaggenau paiera quand même la main-d'œuvre et les pièces et expédiera les pièces au fournisseur de service après-vente agréé le plus proche, mais vous demeurerez quand même entièrement responsable des frais de déplacement ou autres frais spéciaux demandés par la société qui fournit le service après-vente, dans l'hypothèse où elle accepte de faire un déplacement pour effectuer la réparation.

Garantie limitée prolongée : Garantie de la troisième à la sixième année à partir de la date d'achat, sur les pièces détachées du système scellé de réfrigération énuméré plus bas. Gaggenau prendra en charge le remplacement de pièces et de main d'œuvre pour des vices de matériel ou de la malfaçon du système scellé de réfrigération. Ces pièces détachées sont l'évaporateur, le condenseur, l'assécheur et le tube de raccordement. Garantie de la septième à la douzième année à partir de la date d'achat sur des pièces détachées uniquement du système scellé de réfrigération comme énuméré. Le service doit être

accompli par une société de service approuvée par Gaggenau.

Produit qui n'est plus couvert par la garantie : Gaggenau n'est pas tenue, en droit ou autrement, de vous consentir quoi que ce soit, y compris des réparations, des tarifs proportionnels ou un remplacement de produit, après l'expiration de la présente garantie.

Exclusions de la garantie : La garantie décrite aux présentes exclut tous les défauts ou dommages qui ne résultent pas de la faute directe de Gaggenau, y compris, notamment, un ou plusieurs des éléments suivants : 1) l'utilisation du produit à toute autre fin que son usage normal, habituel et prévu (y compris, notamment, toute forme d'usage commercial, l'usage ou l'entreposage à l'extérieur de produits devant être utilisés à l'intérieur, l'utilisation du produit conjointement avec des aéronefs ou des bateaux); 2) l'inconduite volontaire, la négligence, la mauvaise utilisation, l'utilisation abusive, les accidents, la négligence, le fonctionnement inapproprié, le défaut d'entretenir, l'installation inappropriée ou négligente, l'altération, le défaut de suivre les directives d'utilisation, la manipulation sans précaution, le service non autorisé (y compris la réparation effectuée soi-même ou l'exploration des mécanismes internes de l'appareil) de la part de toute partie; 3) l'ajustement ou la modification de toute sorte; 4) le non-respect des codes, règlements ou lois étatiques, locaux, municipaux ou de comté régissant l'électricité, la plomberie et/ou le bâtiment, y compris le défaut d'installer le produit dans le respect le plus strict des codes et règlements en matière d'incendie et de bâtiment; 5) l'usage normale, le renversement d'aliments, de liquides, les accumulations de graisse ou les autres substances qui s'accumulent sur le produit, à l'intérieur ou autour de celui-ci; et 6) les forces et facteurs externes, des éléments et/ou de l'environnement, y compris, notamment, la pluie, le vent, le sable, l'inondation, l'incendie, les glissements de terrain, les températures au-dessous du point de congélation, l'humidité excessive ou l'exposition prolongée à l'humidité, la foudre, la surtension électrique, les défauts des structures qui entourent l'appareil et les cas de force majeure. Gaggenau ne sera en aucun cas responsable de quelque manière que ce soit des dommages occasionnés aux biens environnants, y compris les armoires de rangement, les planchers, les plafonds et les autres structures ou objets qui se trouvent autour du produit. Sont également exclus de la présente garantie les égratignures, les encoches, les bosselures et les dommages touchant l'apparence des surfaces externes et des pièces exposées; les produits dont les numéros de série ont été modifiés, rendus illisibles ou enlevés; les déplacements du personnel de service après-vente pour vous enseigner comment utiliser le produit, ou les déplacements lorsque le produit ne présente aucun problème; la correction de problèmes d'installation (vous êtes seul responsable de toute structure et de la mise en place du produit, y compris les installations électriques, de plomberie ou autres installations de raccordement, de la mise en place de fondations ou d'un parquet appropriés, et de toute modification devant notamment être apportée aux armoires de rangement, murs, planchers, rayonnages, etc.); ainsi que le réglage des disjoncteurs ou des fusibles. DANS LA MESURE OÙ LA LOI L'AUTORISE, LA PRÉSENTE GARANTIE INDIQUE VOS RECOURS EXCLUSIFS EN CE QUI CONCERNE LE PRODUIT, PEU IMPORTE SI LA RÉCLAMATION EST DE NATURE CONTRACTUELLE OU DÉLICTEUELLE (Y COMPRIS LA RESPONSABILITÉ ABSOLUE OU LA NÉGLIGENCE) OU AUTRE. LA PRÉSENTE GARANTIE REMPLACE TOUTES LES AUTRES GARANTIES, EXPRESSES OU IMPLICITES. TOUTE GARANTIE IMPLICITE EN VERTU DE LA LOI, QUE CE SOIT À DES FINS DE QUALITÉ MARCHANDE OU D'ADAPTATION À UN BUT PARTICULIER, OU AUTREMENT, EST EN VIGUEUR UNIQUEMENT PENDANT LA PÉRIODE AU COURS DE LAQUELLE LA PRÉSENTE GARANTIE LIMITÉE EXPRESSE EST EN VIGUEUR. LE FABRICANT NE SERA EN AUCUN CAS RESPONSABLE DES DOMMAGES, PERTES OU FRAIS CONSÉCUTIFS, PARTICULIERS, ACCESSOIRES, INDIRECTS ET/OU PUNITIFS, DES « PERTES COMMERCIALES », Y COMPRIS, NOTAMMENT, LE TEMPS D'ABSENCE AU TRAVAIL, L'HÉBERGEMENT ET/OU LES REPAS AU RESTAURANT, LES FRAIS DE REMODELAGE EN EXCÉDENT DES DOMMAGES DIRECTS QUI SONT CAUSÉS DÉFINITIVEMENT ET EXCLUSIVEMENT PAR GAGGENAU, OU AUTREMENT. CERTAINS ETATS NE PERMETTENT PAS L'EXCLUSION OU LA LIMITATION DES DOMMAGES ACCESSOIRES OU CONSÉCUTIFS, ET CERTAINS ETATS NE PERMETTENT PAS QUE DES LIMITES SOIENT IMPOSÉES À LA DURÉE D'UNE GARANTIE IMPLICITE, DE SORTE QUE LES LIMITATIONS INDIQUÉES PLUS HAUTS PEUVENT NE PAS S'APPLIQUER À VOUS. LA PRÉSENTE GARANTIE VOUS DONNE DES DROITS JURIDIQUES PARTICULIERS ET VOUS POUVEZ AUSSI AVOIR D'AUTRES DROITS QUI VARIENT D'UN ETAT À L'AUTRE. Aucune tentative de modifier la présente garantie n'a d'effet à moins d'être autorisée par écrit par un dirigeant de BSH. Comment obtenir un service au titre de la garantie : Pour obtenir un service au titre de la garantie pour votre produit, vous devriez communiquer avec le centre de service après-vente agréé le plus proche de Gaggenau.

¡Felicidades y Gracias de parte de Gaggenau!

Gracias por haber escogido una lavadora de platos Gaggenau. Usted se ha unido a muchos clientes quienes exigen un rendimiento silencioso y excepcional de su lavadora de platos.

Este manual ha sido escrito tomando en cuenta su seguridad y comodidad y la información incluida es muy importante. Le aconsejamos que lea este manual antes de utilizar su lavadora de platos por primera vez.

Para localizar la versión en español de este manual, visite el siguiente sitio web:

www.gaggenau-use.com

Para averiguar aún más detalles acerca de su lavadora de platos y los accesorios disponibles, además de muchos otros aparatos domésticos de la alta calidad Gaggenau, visite nuestro sitio Web a www.gaggenau-usa.com.

Por favor comuníquese con nosotros en caso que tenga preguntas o comentarios.

Gaggenau

1901 Main Street, Suite 600

Irvine, CA 92614

USA

Phone +1.877.442.4436

info@gaggenau-usa.com

www.gaggenau-usa.com

ADVERTENCIA

El mal uso de la lavadora de platos puede causar lesiones serias o la muerte. No use la lavadora de platos cubierta por este manual de otra forma o para algún otro propósito que no sea explicado en las siguientes páginas.

El empleo de técnicos de servicio no calificados o el uso de refacciones no originales puede dañar el producto severamente y/o causar lesiones. Todas las reparaciones deben ser realizadas por un técnico de servicio calificado utilizando solamente refacciones originales de fábrica.

Cuando se instala incorrectamente la alimentación eléctrica para su lavadora de platos cubierta en este manual o cuando la lavadora de platos ha sido conectada mal a tierra, existe el riesgo de sufrir una descarga eléctrica. No use la lavadora de platos cubierta en este manual, si usted no está seguro que la alimentación eléctrica ha sido instalada correctamente o que la lavadora de platos ha sido aterrizada correctamente.

Nunca use químicos agresivos para limpiar su lavadora de platos. ¡Algunos productos de limpieza que contienen cloruro pueden dañar su lavadora de platos y constituyen un riesgo para la salud!

Advertencia: Para reducir el riesgo de sufrir una descarga eléctrica, un fuego o lesiones serias, observe lo siguiente:

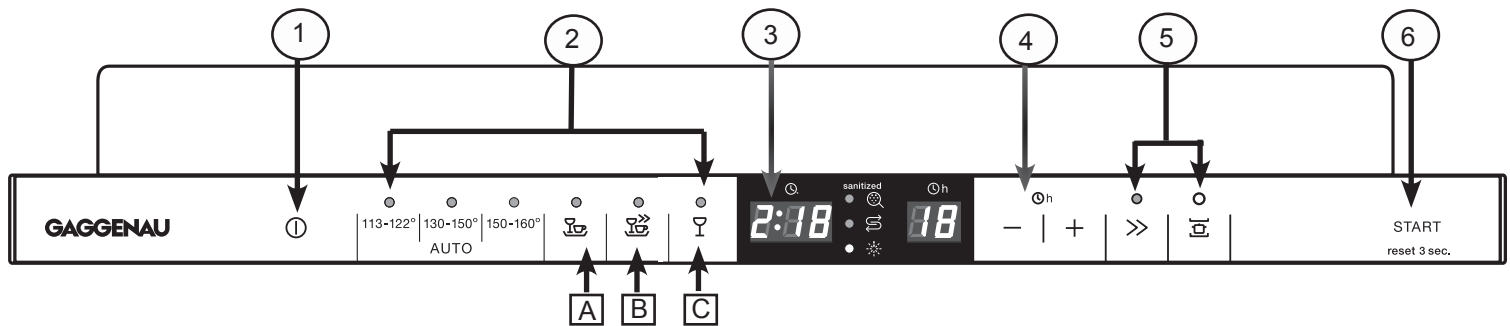
- Esta lavadora de platos incluye **Instrucciones de Instalación** así como este **Manual de Uso y Cuidado**. Lea y comprenda todas las instrucciones antes de utilizar la lavadora de platos.
- Este aparato debe estar puesto a tierra por medio de un sistema permanente de cableado metálico o de un dispositivo conductor de puesta a tierra instalado con los conductores de circuito y conectado a la borna de la puesta a tierra del equipo o de la lavadora de platos. Consulte las **Instrucciones de Instalación** que acompañan a esta lavadora de platos para averiguar más información acerca de los requisitos eléctricos.
- Utilice esta lavadora de platos únicamente para realizar la función intencionada que es la de lavar la vajilla y los utensilios de cocina en su hogar.
- Utilice únicamente detergentes o agentes de enjuague recomendados para uso en la lavadora de platos y manténgalos fuera del alcance de niños.
- A medida que cargue los artículos para lavar:
 - Acomode los artículos filosos de modo que no dañen el sello de la puerta.
 - Cargue los cuchillos y otros utensilios filosos **CON EL MANGO HACIA ARRIBA** para reducir el riesgo de cortarse.
- No lave artículos de plástico a menos de que indiquen "a prueba de lavadora de platos" [dishwasher safe]. En cuanto a los productos de plástico que no lleven tal aviso, consulte al fabricante para averiguar sus recomendaciones.
- No opere su lavadora de platos a menos de que todos los paneles del gabinete estén instalados correctamente.
- No intente alterar, modificar o sobrecontrolar los controles o los interruptores de seguridad eléctricos.
- No abuse ni se siente o se pare en la puerta o en las rejillas para trastes de la lavadora de platos.
- Con el fin de reducir el riesgo de heridas, no permita que niños jueguen adentro o encima de la lavadora de platos.
- Cuando los niños llegan a una edad suficiente para operar el aparato, es la responsabilidad legal de los padres o de los tutores legales asegurar que personas calificadas los instruyan sobre prácticas seguras.
- Bajo ciertas condiciones, el gas hidrógeno podría acumularse en un sistema de agua caliente que no se ha usado durante por lo menos dos semanas. El gas hidrógeno es explosivo. Antes de usar una lavadora de platos conectado a un sistema de agua caliente que no ha sido operada por dos o más semanas, abra todas las llaves de agua caliente y permita que corra el agua por algunos minutos. De este modo se dispersa el gas hidrógeno que se acumuló. Ya que el gas podría explotar, no fume ni prenda una llama durante este proceso.
- Quite la puerta del compartimiento de lavado (la tina) antes de poner la lavadora de platos fuera de servicio o cuando la deseche.
- Para no dañar el piso y evitar la posible formación de moho, no permita áreas húmedas alrededor o abajo de la lavadora de platos.
- **Proteja su lavadora de platos de los elementos. Protéjala de la congelación para evitar posibles daños a la válvula de llenado. La garantía no cubre daños causados por la congelación.**

AVISO

Nunca use productos de limpieza con vapor para limpiar su lavadora de platos. El fabricante no será responsable de posibles daños o consecuencias.

Recomendamos altamente que el usuario final se familiarice con el procedimiento para apagar el suministro del agua entrante y con el procedimiento para apagar la fuente de alimentación eléctrica. Consulte las Instrucciones de Instalación o hable con su instalador para obtener más información.

Familiarizarse con su aparato



1 - Botón On/Off (Prender/Apagar)

2 - Ciclos de lavado

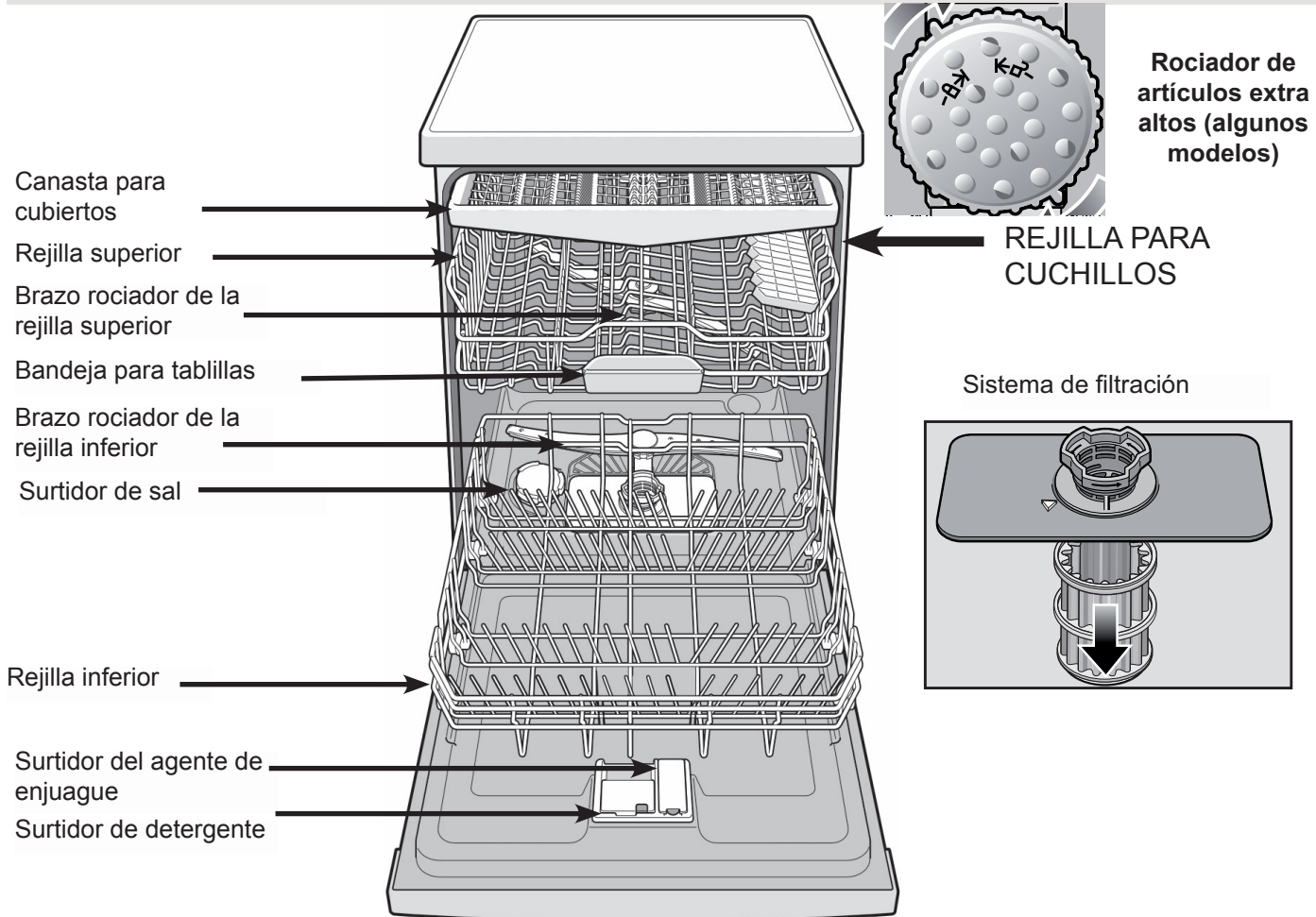
3 - Visualizador digital

4 - Retardar la puesta en marcha

5 - Opciones de ciclos adicionales

6 - Botón de arranque

COMPONENTES DE LA LAVADORA DE PLATOS



Características de la lavadora de platos

Sistema para ablandar el agua

La lavadora de platos requiere de agua blanda para asegurar resultados apropiados del lavado. Su aparato viene con un sistema interno para ablandar el agua. Sin embargo, si usted tiene un sistema ablandador de agua propio instalado en su casa, no necesitará este sistema ablandador..

La cantidad de sal que se requiere depende del grado de dureza de su agua de grifo (Vea la tabla).

Se puede cambiar la cantidad de sal empleada de "H:00" a "H:07". No se requiere sal con el valor predeterminado de H:00.

- Abra la puerta.
- Prenda la unidad con el botón ON/OFF (Prender/Apagar) .
- Mantenga oprimido el botón "A" y oprima el botón START hasta que el visualizador indique "H:00".
- Suelte ambos botones.

Para cambiar la configuración,

- Oprima el botón + or -
- Oprima el botón START. El valor predeterminado ha sido guardado.
- Cierre la puerta

ADVERTENCIA

- Nunca llene el surtidor de sal con detergente. De lo contrario usted destruirá el sistema ablandador de agua
- Siempre rellene con sal inmediatamente antes de prender el aparato para evitar la corrosión.

| tap water hardness ppm CaCO ³ /l | set value at dishwasher | use regeneration salt |
|---|-------------------------|-----------------------|
| 0 - 110 | H:00 | no |
| 120 - 140 | H:01 | si |
| 150 - 180 | H:02 | si |
| 190 - 210 | H:03 | si |
| 220 - 290 | H:04 | si |
| 300 - 370 | H:05 | si |
| 380 - 540 | H:06 | si |
| 550 - 890 | H:07 | si |

Setting value from factory H:00

Usar una tira de prueba para determinar la dureza del agua

Kurz eintauchen (1 sec), leicht abschütteln und nach 1 min ablesen.

4 grün/green/vert
1 rot/red/rouge
2 rot/red/rouge
3 rot/red/rouge
4 rot/red/rouge

Dip briefly (1 sec), shake off excess water and compare after 1 min.

<3°dH/ <3.75°e/ <5.4°f
>4°dH/ >5°e/ >7.2°f
>8.4°dH/ >10.5°e/ >15.1°f
>14°dH/ >17.5°e/ >25.2°f
>21°dH/ >26.25°e/ >37.8°f

Plongez brièvement (1 sec), égouttez l'excès d'eau et comparez après 1 min.

Teststäbchen zur Bestimmung der Wasserhärte
Test stick for determination of water hardness
Bandelette pour déterminer la dureté de l'eau

LOT 612

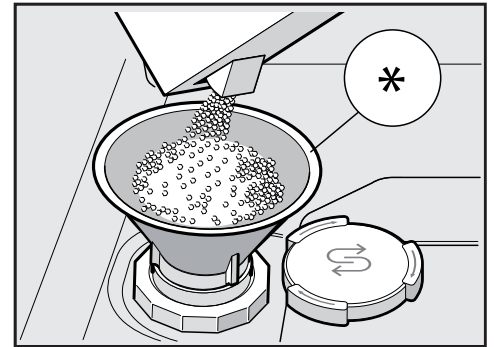
| Dip briefly the test strip into tap water for one second, shake off excess water compare after 1 min. | Establishing the water hardness | Setting of Water | Fill with Salt |
|---|---|-----------------------------|-----------------------------------|
| | After one minute the red discoloration of the test areas will show you the correct setting. | Alignment of Softening Unit | Fill salt into the salt container |
| | 0 | 0 | no |
| | 1 | 0 | no |
| | 2 | 2 | yes |
| | 3 | 4 | yes |
| | 4 | 6 | yes |

Sal

Usar sal

Siempre vuelva a llenar el tanque de sal inmediatamente antes de prender el aparato para asegurar que se lave cualquier exceso de sal. Esto evita la corrosión.

- Llene el tanque con agua (se requiere solamente cuando se prende el aparato por primera vez).
- Añada sal (sal de regeneración) hasta que el agua salga desplazada.
- Llene con sal en cuando se ilumina el indicador de relleno de sal.



Para obtener más información acerca de la sal de pedido, póngase en contacto con el servicio al cliente.

Detergente

Use únicamente detergentes diseñados específicamente para lavadora de platos. Para obtener mejores resultados, use detergentes frescos en polvo para uso en lavadora de platos.

AVISO

Para evitar daños a la lavadora de platos, no use productos para lavar la vajilla a mano.

La lavadora de platos utiliza menos agua, así que debe usar menos detergente. Con agua blanda, 15 ml (1 cucharada) de detergente limpiará la mayoría de las cargas. La copa para detergente en el surtidor tiene rayas que miden la cantidad de detergente cada 15 y 25 ml (1 y 1.75 cucharadas). Con 3 cucharadas (45 ml) de detergente llena la copa totalmente.

NOTA: Si usted no sabe si el agua es blanda o dura, empiece con 15 ml de detergente. Aumente la cantidad de detergente, si es necesario, hasta la cantidad mínima que se necesita para realizar la limpieza de su vajilla y los utensilios de cocina.

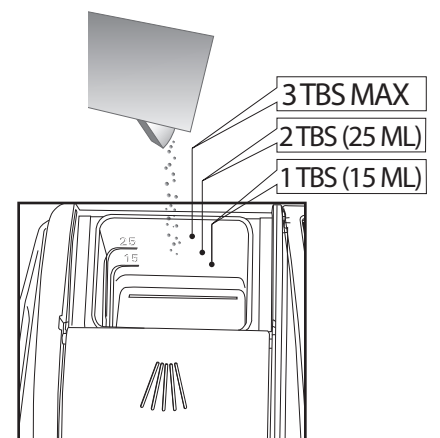
Para cerrar:

Ponga el dedo como se muestra arriba, deslice hacia adelante, luego oprima FIRMEMENTE hasta que escucha un CLIC.

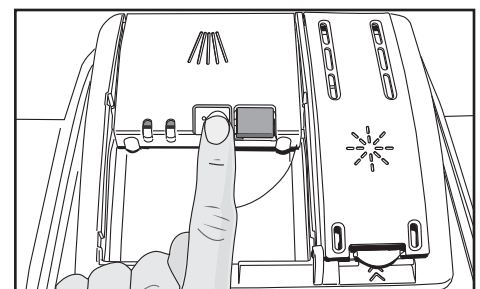
Para abrir:



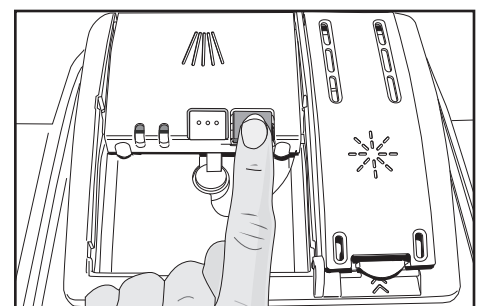
Oprima el botón como se muestra en la ilustración.



Detergente



Para cerrar




Para abrir

Agente de Enjuague

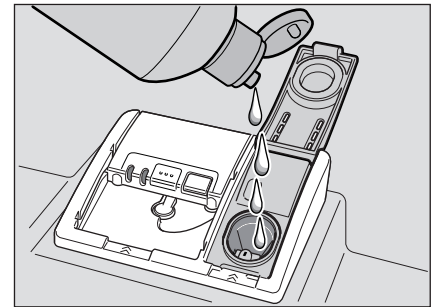
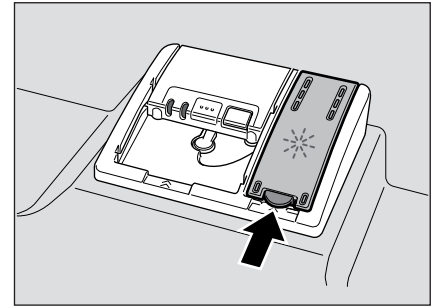
Para lograr un secado apropiado, siempre use agente de enjuague líquido, aún si su detergente también contiene algún agente de enjuague o aditivo para secado.

Surtidor del agente de enjuague

Abra el surtidor del agente de enjuague levantando la pestaña con su pulgar.

NOTA: La lavadora de platos indica la falta del agente de enjuague mostrando el símbolo  en el visualizador de cuenta regresiva, o prendiendo la luz de relleno del agente de enjuague (depende del modelo).

Añada agente de enjuague al surtidor como se muestra hasta llenar el depósito. Limpie el exceso del agente de enjuague que se acumula cuando se llena el depósito del surtidor.



Fijar la cantidad del agente de enjuague

Se puede fijar la cantidad del agente de enjuague de “r:00” a “r:06”

- Abra la puerta.
- Prenda el aparato pulsando el botón ON/OFF.
- Mantenga oprimido el botón “eco” y pulse el botón START hasta que el visualizador indique “r:00”.
- Suelte ambos botones.
- Pulse + o – para seleccionar el ajuste deseado.
 - “r:00” significa que el surtidor del agente de enjuague está apagado.
 - “r:01” significa que el surtidor del agente de enjuague está en la posición más baja.
 - “r:02” significa que el surtidor del agente de enjuague está en la posición baja.
 - “r:03” significa que el surtidor del agente de enjuague está en la posición mediana.
 - “r:04” significa que el surtidor del agente de enjuague está en la posición mediana alta.
 - “r:05” significa que el surtidor del agente de enjuague está en la posición alta.
 - “r:06” significa que el surtidor del agente de enjuague está en la posición más alta.
- Guarde el idioma seleccionado pulsando el botón START
- Cierre la puerta

Apagar el indicador de relleno del agente de enjuague

- Cambiar la opción del agente de enjuague a r:00

NOTA: No cambie la cantidad del agente de enjuague a menos que sus utensilios salgan con rayas visibles (seleccione la posición baja) o con manchas de agua (seleccione la posición alta).

Materiales de Vajillas

NOTA: Antes de usar su lavavajillas por primera vez, revise la información en esta sección. Algunos artículos que usted desea limpiar no están a prueba de lavavajillas y deben ser lavados a mano; otros requieren de un acomodo especial. Póngase en contacto con el fabricante del artículo si usted tiene dudas acerca de que el uso del lavavajillas sea apropiado.

Recomendado

Aluminio: El aluminio anodizado de color puede oscurecerse con el tiempo. Los minerales en su agua pueden causar que el aluminio se oscurezca o que se manche. Generalmente se pueden quitar estas manchas usando esponjillas de fibra metálica rellenas de jabón.

Porcelana, Cristal, Cerámica: Algunas piezas pintadas a mano pueden perder el color, oscurecerse o mancharse. Lave estas piezas a mano. Posicione piezas frágiles de vidrio de tal modo que no se puedan voltear y que no tengan contacto con otras piezas durante el ciclo de lavado.

Vidrio: El vidrio opalino puede ponerse amarillo.

Capas antiadherentes: Aplique una ligera capa de aceite vegetal a las superficies antiadherentes después del secado.

Plásticos: Asegúrese que la pieza está apta para ser usada en un lavavajillas.

Acero Inoxidable, Plata de Ley, y Plateado: Coloque las piezas hechas de metales diferentes de tal modo que no tengan contacto una con la otra pieza.

No Recomendado

Acrílico: Puede ocurrir el craquelado (grietas pequeñas en el acrílico).

Piezas unidas por adhesivos: Se pueden aflojar los adhesivos que unen materiales como plástico, madera, hueso, acero, cobre, estaño, etc.

Utensilios con mango de hueso: Se pueden separar los mangos.

Hierro: El hierro se oxida. Lave las piezas de hierro a mano y séquelas de inmediato.

Piezas no diseñadas para lavavajillas: Su lavavajillas está diseñada para limpiar SÓLO trastes y artículos de cocina caseros.

Pewter, Latón, Bronce: El pewter se manchará. Lave las piezas de pewter a mano y séquelas de inmediato.

Estaño: El estaño se oxidará. Lave las piezas de hierro a mano y séquelas de inmediato.

Madera: Los tazones de madera, utensilios de madera y piezas con mango de madera pueden agrietarse, doblarse y perder su acabado

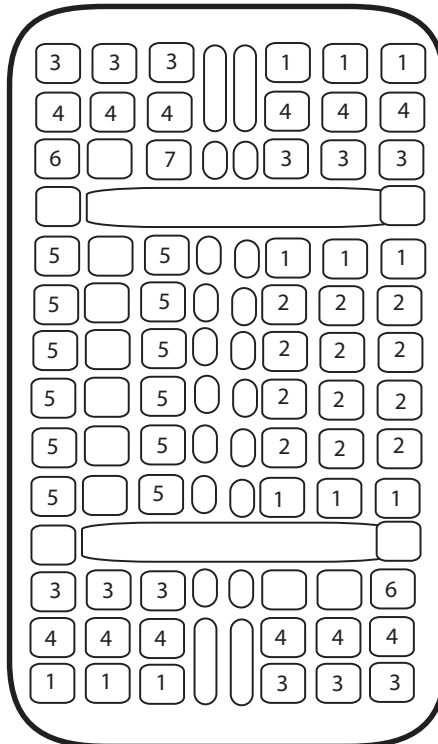
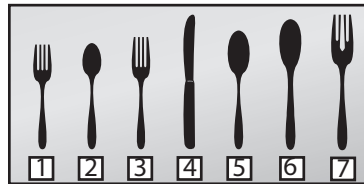
Rejilla superior - 12 Juego de vajilla



Rejilla inferior - 12 Juego de vajilla



Canasta para cubiertos - 12 Juego de vajilla



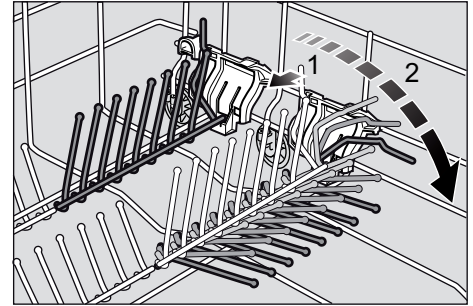
Cargar la lavadora de platos

No haga ningún lavado preliminar de los artículos con suciedad pegada ligeramente. Elimine las partículas grandes de alimentos, los huesos, semillas, palillos para los dientes y la grasa excesiva. Tal vez es necesario pretratar (remojar o frotar a mano) las piezas con suciedades pegadas, quemadas o endurecidas..

Cargue únicamente artículos a prueba del lavavajillas [dishwasher-safe] en su lavavajillas. Cargue su vajilla en las rejillas del lavavajillas de tal forma que los interiores de platos, ollas y sartenes encaren los brazos rociadores. Evite amontonar las piezas y los puntos de contacto entre éstas. Separe los artículos hechos de metales diferentes.

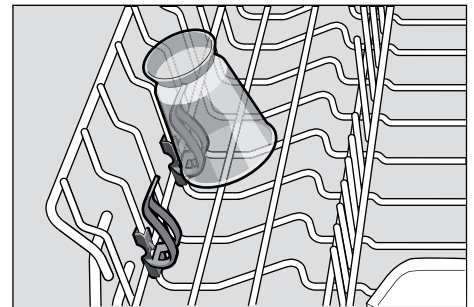
Púas plegables *

Flip Tines fold down to make loading the baskets easier in some instances. Grasp the tines, release from notch, and fold the tines downward. When the top basket is loaded, push it into the dishwasher.



Ganchos para rejilla *

Accesorios ligeros de plástico (p.ej. vasos, tapaderas, etc.) son más fáciles de fijar con estos pequeños ganchos.

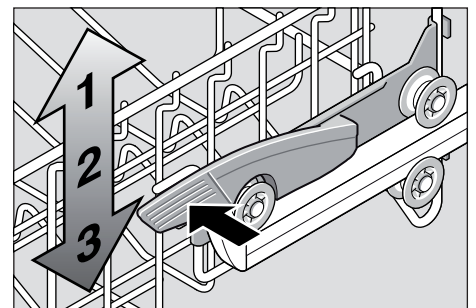


Ajustar la altura de la rejilla

Se puede ajustar la altura de la canasta superior en 3 etapas para crear más espacio ya sea en la rejilla superior o la rejilla inferior.

- Saque la rejilla superior.
- Para bajar la rejilla, empuje la palanca hacia adentro y luego hacia arriba.
- Para subir la rejilla, sostenga la rejilla en ambos lados del borde superior y levántela.

Antes de volver a meter la rejilla, asegúrese que tenga la misma altura en ambos lados. De lo contrario no se podrá cerrar la puerta del aparato y el brazo rociador superior no quedará conectado al circuito de agua.



* selon les modèles

Secado de la vajilla

AUTO

Elimina la necesidad de adivinar cual ciclo de lavado es el correcto. Los sensores en la lavadora de platos ajustan automáticamente la duración del ciclo y los cambios de temperatura y agua en base a la carga de suciedades.

AUTO 113 - 122 °F: Este ciclo es correcto para artículos delicados para uso en lavadoras de platos.

AUTO 130 - 150 °F: Este ciclo es correcto para cargas mixtas.

AUTO 150 - 160 °F: Este ciclo limpia vajillas con restos alimenticios endurecidos por el horno o muy pegados. Puede ser necesario remojar o restregar estos trastes a mano.

Normal



Limpia a fondo cargas grandes con suciedad ordinaria pegada ligeramente.

Lavado Rápido



Para vajillas ligeramente sucias con restos alimenticios que son fáciles de remover.

Cuidado de la cristalería



Un ciclo para artículos ligeramente sucios que es ideal para platos sensibles a la temperatura o para los cubiertos. En este ciclo se reduce la temperatura para evitar que se dañe la vajilla. Es muy útil para reducir una apariencia empañada o rayada en sus vasos.

Nota: Algunos vasos son más propensos a rayarse debido al proceso de fabricación del vidrio.

| | AUTO 150-160° | AUTO 130- 150° | AUTO 113-122° | Normal | Lavado Rápido | Cuidado de la cristalería |
|--------------------------------------|--------------------------|---------------------------|--------------------------|---------------|--------------------------|--------------------------------------|
| Tiempo del ciclo (minutos) | 110 - 135 | 105 - 129 | 80 - 85 | 95 - 119 | 30 | 70 |
| Consumo de agua (litros) | 18,1 - 23,7 | 12,6 - 19,8 | 8,8 - 13,9 | 5,8 - 16,9 | 10,3 | 12,9 |
| Consumo de agua (galones) | 4,8 - 6,3 | 3,3 - 5,2 | 2,3 - 3,7 | 1,5 - 4,5 | 2,7 | 3,4 |
| Temperatura del agua | 150 - 160 | 130 - 150 | 113 - 122 | 122 - 131 | 113 | 122 |
| Temperatura del enjuague | 156 | 156 | 145 | 124 - 156 | 122 | 140 |

| Con potencia | | | | | | |
|-----------------------------------|--------|-------|-------|-------|--|----|
| Tiempo del ciclo (minutos) | 90-110 | 75-90 | 60-70 | 75-85 | | 60 |

Opciones adicionales

Potencia >>

En la opción de Potencia se reduce el tiempo para terminar el ciclo del lavado considerablemente. Se incrementa el consumo de energía hasta por el 30% debido a un calentamiento más intenso.

Zona intensiva

Perfecta para una carga mixta. Usted puede lavar ollas y sartenes muy sucias en la canasta inferior junto con utensilios con suciedad normal en la canasta superior. La presión de rocío es aumentada en la canasta inferior y la temperatura de enjuague es ligeramente incrementada.

CARACTERÍSTICAS ADICIONALES

Sistema de Lavado EcoSense*

Un sistema de sensores avanzado determina el nivel de suciedad en el agua de lavado y automáticamente cancela los rellenados con agua fresca si no se requieren, ahorrando tiempo y dinero, mientras reduce el consumo de energía.

Desinfectado

Un ciclo de la lavadora de platos con el símbolo de Desinfectado ha sido probado para satisfacer los requerimientos muy estrictos del tiempo de lavado y de la temperatura del agua para asegurar la desinfección de las vajillas y utensilios de cocina.

Indicador de tiempo restante

Después de seleccionar el programa, el visualizador digital indica el tiempo restante de este programa para terminar. El tiempo de funcionamiento es determinado durante el programa por medio de la temperatura del agua, la cantidad de utensilios así como por el grado de suciedad y puede variar (dependiendo del programa seleccionado).

Seguro para niños (Bloqueo de las teclas) *

El aparato puede protegerse contra la interrupción fortuita del programa de lavado seleccionado (por ejemplo a causa del manejo erróneo por niños).

Para activar:

- Iniciar el programa de lavado deseado.
- Pulsar la tecla B durante aprox. 4 segundos, hasta que en la pantalla de visualización aparezca la indicación CL.

Si durante el desarrollo de un programa de lavado se activa una tecla cualquiera, aparece en la pantalla de visualización la indicación CL. El programa no se puede cancelar.

Para desactivar:

- Pulsar la tecla B durante aprox. 4 segundos, hasta que en la pantalla de visualización aparezca la indicación CL.

Una vez alcanzado el fin del programa (en la pantalla de visualización aparece la indicación 0:00), queda desactivado el bloqueo de las teclas. En caso de producirse un corte en el suministro de corriente permanece activado el bloqueo de las teclas. Con cada nuevo inicio de programa hay que activar el bloqueo de las teclas.

*selon les modèles

Retardar la puesta en marcha

Usted puede retardar la puesta en marcha del programa en incrementos de 1 hora hasta por 24 horas.

- Abra la puerta. Prenda el aparato.
- Oprima el botón **+** hasta que el visualizador de programación del temporizador salte a “**h:01**”.
- Oprima el botón **+** o **-** hasta que el tiempo indicado coincida con sus requerimientos.
- Oprima el botón **START**, la programación del temporizador está activada.

Para eliminar la programación del temporizador:

- Oprima el botón **+** o **-** hasta que el visualizador digital indica “**h:00**”.
- Usted puede cambiar su selección de programa en cualquier momento hasta que el programa comience a funcionar.
- Cierre la puerta.

Señal de ciclo completado

El ciclo completado se indica con un tono. Esta función puede modificarse de la siguiente manera:

- Abra la puerta.
- Encienda la unidad presionando **ON/OFF** (ENCENDIDO/APAGADO).
- Mantenga presionado **A** y presione **START** (INICIO) y manténgalo presionado hasta que la pantalla muestre “**H:00**”.
- Suelte ambos botones.
- Presione **A** hasta que la pantalla muestre “**b:02**”.
- Presione **C** para aumentar o disminuir el tono “**b:00**” = apagado y “**b:03**” = más fuerte.
- Presione **START** (Inicio) para guardar la programación.
- Cierre la puerta.

Intensive Drying (Secado intensivo)

El enjuague final utiliza una temperatura mayor que mejora el resultado del secado.

El tiempo en funcionamiento puede aumentar ligeramente. (¡Tenga cuidado si los utensilios son delicados!)

- Abra la puerta.
- Encienda la unidad presionando **ON/OFF** (ENCENDIDO/APAGADO).
- Mantenga presionado **A** y presione **START** (INICIO) y manténgalo presionado hasta que la pantalla muestre “**H:00**”.
- Suelte ambos botones.
- Presione **A** hasta que la pantalla indique “**d:00**”.
- Presione **C** para encender el secado intensivo “**d:01**”= encendido y “**d:00**”= apagado.
- Presione **START** (INICIO) para guardar la programación.
- Cierre la puerta.

Energía auto apagado

Para ahorrar energía, el lavaplatos se da vuelta de 1 minuto después de los extremos del ciclo de la colada. La energía auto apagado se puede ajustar desde P: 00 a P: 02.

Para cambiar el ajuste de la fábrica (P: 01):

- Abra la puerta.
- Presione el botón **[ON/OFF]** (ENCENDIDO/APAGADO).
- Mantenga presionado el botón **A** y presione **START** (INICIO) y manténgalo presionado hasta que la pantalla indique “**H:00**”. Suelte ambos botones.
- Presione **A** hasta que la pantalla indique “**P:01**”.
- Presione **C** para seleccionar la programación deseada. “**P:00**” = el lavaplatos no apaga automáticamente, “**P:01**” = apaga automáticamente después de 1 minuto, “**P:02**” = apaga automáticamente después de 120 minutos (2 horas)
- Guarde la programación seleccionada presionando **START** (INICIO).
- Cierre la puerta.

Cómo operar la unidad

Prender el aparato

- Abra la puerta. Prenda la unidad pulsando el botón **ON/OFF**.
- El visualizador parpadea indicando el último programa seleccionado.
- El visualizador digital parpadea indicando la duración estimada del programa.
- Oprima el botón **START**. Cierre la puerta. El programa comienza a funcionar.

Interrumpir el ciclo

- Abra la puerta. Pulse el botón **ON/OFF**. Se apagan los LEDs. Se guarda el programa.
- Si se abrió la puerta en un aparato con una conexión de agua caliente o si se calienta ésta, usted debe dejar la puerta abierta por varios minutos y luego cerrarla. De lo contrario, la expansión (presión) puede causar que la puerta del aparato se abra repentinamente o que el agua se salga de la lavadora de platos.
- Para continuar con el programa, vuelva a pulsar el botón **ON/OFF**. Cierre la puerta.

Cómo terminar el ciclo

Cuando la pantalla indica “0:00” significa que el ciclo ha finalizado. Solo en algunos modelos, la finalización del ciclo también se indica mediante una señal de ciclo completado (consulte la sección “Señal de ciclo completado”, pág. 16).

- Abra la puerta. Presione **START** (INICIO) y manténgalo presionado durante, aproximadamente, 4 segundos hasta que “0:01” titile en la pantalla.
- Cierre la puerta. El ciclo dura, aproximadamente, 1 minuto.
- Abra la puerta.
- La pantalla indicará “0:00”.
- Presione **ON/OFF** (ENCENDIDO/APAGADO). Cierre la puerta.

Seguro para niños (Bloqueo de las teclas) *

El aparato puede protegerse contra la interrupción fortuita del programa de lavado seleccionado (por ejemplo a causa del manejo erróneo por niños).

- Iniciar el programa de lavado deseado.
 - Pulsar la tecla **B** durante aprox. 4 segundos, hasta que en la pantalla de visualización aparezca la indicación **CL**.
- Si durante el desarrollo de un programa de lavado se activa una tecla cualquiera, aparece en la pantalla de visualización la indicación **CL**. El programa no se puede cancelar.

Para desactivar:

- Pulsar la tecla **B** durante aprox. 4 segundos, hasta que en la pantalla de visualización aparezca la indicación **CL**.
- Una vez alcanzado el fin del programa (en la pantalla de visualización aparece la indicación 0:00), queda desactivado el bloqueo de las teclas. En caso de producirse un corte en el suministro de corriente permanece activado el bloqueo de las teclas. Con cada nuevo inicio de programa hay activar el bloqueo de las teclas.

Bloqueo para protección de niños *

- Pour verrouiller la porte, poussez le curseur au-dessous de la poignée de porte à droite.
- Pour déverrouiller la porte, poussez le curseur vers la gauche



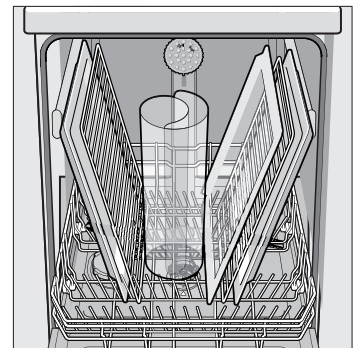
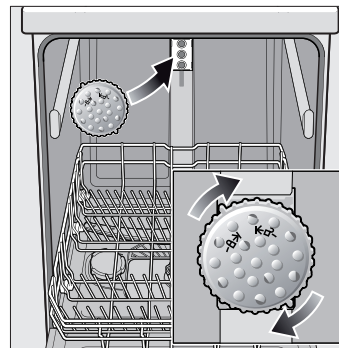
Rociadores para hornear *

Si un artículo es demasiado grande para ser colocado en la rejilla inferior, mientras que la bandeja superior es alta, retírelo tirando de vaciar el lavavajillas hasta que se detenga. Tire de la canasta y hasta que las ruedas se liberen de las guías. Ponga la canasta a un lado. Empuje las guías en la parte inferior del lavavajillas.

Inserte la boquilla para los artículos grandes en la boquilla de salida

la bandeja superior y gire hacia la derecha para bloqueo en su lugar. Coloque los artículos en el carrito inferior, como se muestra.

NOTA: mantener la ventilación en el lado derecho del tanque libre por la colocación de elementos de corte como tablas y hojas Las cookies de la izquierda, central y trasero.



Mantenimiento y cuidado

Una inspección y mantenimiento regular de su aparato ayudará a prevenir fallas. Esto ahorra tiempo y evita problemas.

Condición general de la máquina

Revise los brazos rociadores si tienen grasa y depósitos calcáreos.

Si usted encuentra tales depósitos:

- Llene el surtidor de detergente con detergente.
- Prenda el aparato sin utensilios en el programa con la mayor temperatura de enjuague.

Limpie el aparato con detergentes/limpiadores para aparatos domésticos aptos especialmente para el uso en lavadoras de platos.

- Limpie el sello de la puerta regularmente con un paño húmedo.

Nunca use un sistema de limpieza con vapor para limpiar su lavadora de platos. El fabricante no se hace responsable de daños consecuenciales.

No use esponjas con una superficie áspera o detergentes abrasivos ya que éstos pueden rayar la superficie.

Aparatos de acero inoxidable: Para evitar la corrosión evite el uso de paños con pelusa o lávelos cuidadosamente varias veces antes de usarlos por primera vez.

Filtros

Los filtros mantienen objetos ajenos grandes en el agua de enjuague lejos de la bomba. Estos objetos ajenos pueden ocasionalmente tapan los filtros.

El sistema de filtración consiste en un filtro de malla ancha, un filtro fino plano y un microfiltro.

- Después de cada ciclo de lavado debe revisar los filtros para ver si tienen residuos.
- Desenrosque el cilindro del filtro como se muestra y saque el sistema de filtración.
- Quite los residuos y lave los filtros bajo agua de grifo
- Vuelva a instalar el sistema de filtración en el orden inverso y asegúrese que las marcas de las flechas queden en lados opuestos después de cerrar el sistema de filtración.



CUIDADO

Para evitar lesiones, no meta los dedos en la trampa para objetos grandes. La trampa para objetos grandes podría contener objetos filosos.

Brazos rociadores

La acumulación de depósitos calcáreos y de contaminantes en el agua de enjuague puede tapan las boquillas y los rodamientos en los brazos rociadores.

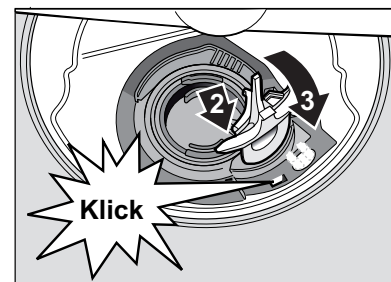
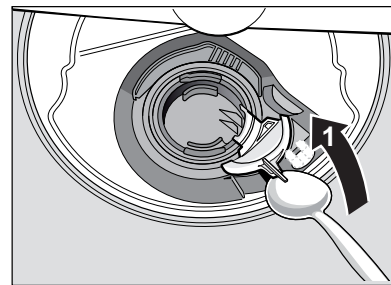
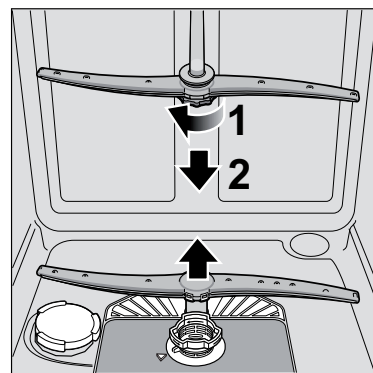
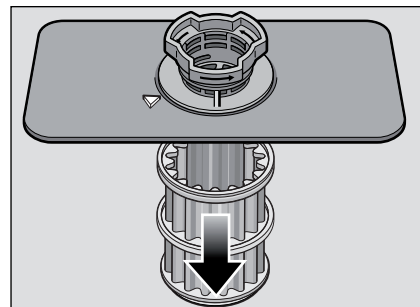
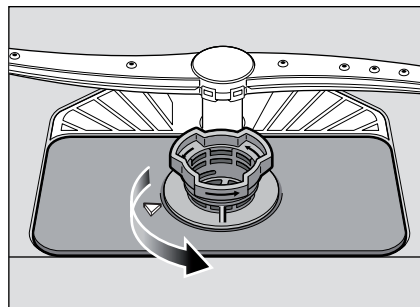
- Revise si las boquillas en los brazos rociadores están tapadas.
- Desenrosque el brazo rociador superior.
- Quite el brazo rociador inferior.

Bomba de aguas residuales

Restos alimenticios grandes en el agua de enjuague que no son retenidos por los filtros pueden tapan la bomba para aguas residuales. El agua de enjuague no es vaciado y cubre los filtros.

En este caso:

- Desconecte el aparato de la fuente de alimentación.
- Quite los filtros.
- Saque el agua con una taza o use una esponja si se requiere.
- Utilizando una cuchara, levante la cubierta de la bomba (como se muestra) hasta que escucha un clic, luego tome la cubierta por la pestaña y júlela primero hacia arriba hasta que se detenga y luego júlela hacia adelante.
- Revise el compartimiento interior y quite todos los objetos ajenos.
- Coloque la cubierta en su posición original, empújela y ciérrela.
- Instale los filtros.



AUTOAYUDA

A veces las lavadoras de platos exhiben problemas que no tienen nada que ver con un mal funcionamiento de la máquina en sí. La información a continuación le podría ayudar a resolver algún problema sin tener que acudir a un técnico de reparaciones.

| Problema | Causa | Acción |
|--|---|---|
| La lavadora de platos no se pone en marcha | <ol style="list-style-type: none"> 1. Tal vez no cerró bien la puerta de la lavadora de platos. 2. Tal vez no está prendida la unidad. 3. La unidad no fue reseteada o el ciclo anterior no ha terminado. 4. Se activó el retardo de marcha. 5. Falla en el suministro eléctrico a la lavadora de platos o un fusible quemado. 6. Se activó el bloqueo para protección de niños (algunos modelos). 7. Tal vez se cerró la puerta sin primero seleccionar un ciclo. 8. Tal vez no está prendido el suministro de agua. | <ol style="list-style-type: none"> 1. Cierre la puerta completamente. 2. Oprima el interruptor principal para prender la unidad. 3. Para resetear, consulte la sección "Cancelar o cambiar el ciclo" de este manual. 4. Para resetear, consulte la sección "Retardar la Puesta en Marcha" de este manual. 5. Revise el cortacircuitos. 6. Desactive el bloqueo para niños. Consulte la sección "Bloqueo para protección de niños" de este manual si aplica. 7. Seleccione un ciclo y cierre la puerta. 8. Revise el suministro de agua y ábralo. |
| La lavadora emite pitidos (señal de terminación del ciclo) | Los ajustes de fábrica avisan al cliente que el ciclo ha terminado emitiendo pitidos. Se puede desactivar esta opción si quiere. | Para ajustar el volumen o desactivarlo, consulte la sección "Señal de terminación del ciclo" de este manual. |
| No se prende el visualizador o las luces indicadoras no se encienden | <ol style="list-style-type: none"> 1. Pudo haberse fundido un fusible o un cortacircuitos pudo haber interrumpido la corriente. 2. Puerta no está cerrada. <p>Nota: Para modelos con controles en la parte superior de la puerta, se ilumina el visualizador sólo cuando la puerta está abierta y los controles están visibles.</p> | <ol style="list-style-type: none"> 1. Revise la caja de fusibles/cortacircuitos y cambie el fusible o restablezca el interruptor si es necesario. 2. Asegúrese que la puerta esté correcta y completamente cerrada. |
| La lavadora de platos necesita demasiado tiempo para terminar | <ol style="list-style-type: none"> 1. El agua alimentada está muy fría. 2. El tiempo del ciclo puede variar debido a la suciedad y las condiciones del agua. 3. El surtidor del agente de enjuague está vacío. 4. La lavadora de platos está conectada a la línea de agua fría. <p>Nota: Consulte la sección "Tabla con Datos de Ciclos" de este manual para la longitud típica del ciclo.</p> | <ol style="list-style-type: none"> 1. Antes de iniciar un ciclo, abra la llave de agua caliente en la pila o lavabo más cerca de la lavadora de platos. 2. Los sensores en la lavadora de platos automáticamente aumentan el tiempo del ciclo para asegurar un lavado bueno al detectar gran suciedad. 3. Añada agente de enjuague. 4. Verifique que la lavadora de platos está conectada a la tubería de agua caliente. |
| Las vajillas no salen suficientemente limpias | <ol style="list-style-type: none"> 1. El movimiento del brazo rociador está obstruido. 2. Las boquillas del brazo rociador están tapadas. 3. Mal uso de detergentes. 4. Tal vez los filtros están tapados. 5. Las vajillas están acomodadas mal con poco espacio entre las piezas. 6. El ciclo de lavado seleccionado no sirve para las condiciones de suciedad en la vajilla. | <ol style="list-style-type: none"> 1. Asegúrese que el movimiento del brazo rociador no esté bloqueado girando el brazo con la mano. 2. Quite los brazos rociadores y límpielos conforme a "Revisar/Limpiar las Boquillas del Brazo Rociador" en la sección Cuidado y Mantenimiento de este manual. 3. Aumente o disminuya el detergente dependiendo de la dureza del agua. Consulte la Tabla bajo "Añadir Detergente y Agente de Enjuague". 4. Limpie el filtro. Consulte "Revisar/Limpiar el Sistema de Filtración" en la sección Cuidado y Mantenimiento de este manual. 5. Vuelva a acomodar la carga de tal modo que el agua pueda alcanzar todos los artículos en la lavadora de platos. Vea también la sección "Cómo Cargar la Lavadora de Platos" de este manual. 6. Consulte "Ciclos de Lavado" en la sección de Cómo Operar la Lavadora de Platos de este manual. |
| La vajilla no se seca suficientemente | <ol style="list-style-type: none"> 1. El surtidor de agente de enjuague podría estar vacío. (El indicador del agente de enjuague está activado). 2. Mal acomodo de la vajilla en la lavadora. 3. El ciclo seleccionado no incluye el secado. <p>Nota: Piezas de plástico o de teflón generalmente no se secan completamente como otros artículos debido a su propiedades inherentes.</p> | <ol style="list-style-type: none"> 1. Añada agente de enjuague. El uso de agente de enjuague mejora el secado. 2. Vuelva a acomodar los trastes para que no queden muy juntos. Vea también la sección "Cómo Cargar la Lavadora de Platos" de este manual. 3. La opción Enjuagar y Retener no incluye un ciclo de secado. <p>Nota: Algunos modelos ofrecen una opción de calentar adicional para mejorar el secado. Consulte "Opciones de los ciclos de lavado" en la sección de Cómo Operar la Lavadora de Platos de este manual.</p> |
| Mal olor | <ol style="list-style-type: none"> 1. Hay restos alimenticios en el piso de la lavadora de platos. 2. Hay restos alimenticios cerca del sello de la puerta. 3. Se dejaron los trastes demasiado tiempo en la lavadora antes de iniciar un ciclo. 4. Hay agua residual en el piso de la lavadora de platos. 5. La manguera de drenaje está tapada. | <ol style="list-style-type: none"> 1. Quite los filtros y limpie de acuerdo a la sección "Revisar/Limpiar el Sistema de Filtración" de este manual. 2. Consulte "Limpiar el Empaque y Sello de la Puerta" en la sección de Cuidado y Mantenimiento de este manual. 3. Inicie un ciclo de Enjuagar/Retener si usted no piensa lavar los trastes inmediatamente. 4. Asegúrese que toda el agua se haya drenado del último ciclo. Consulte la sección "Cancelar o cambiar el ciclo" de este manual. 5. Contrate a personal calificado para quitar cualquier obstrucción de la manguera de drenaje. <p>Nota: Si aún persiste el mal olor, inicie un ciclo Normal/Regular hasta que llegue al enjuague e interrumpa el ciclo y coloque una taza con una solución destilada de vinagre blanco sobre la rejilla superior y termine el ciclo.</p> |

| Problema | Causa | Acción |
|---|---|---|
| La lavadora de platos no se llena con agua | <ol style="list-style-type: none"> 1. El sistema de suministro de agua está restringido. 2. El ciclo de lavado anterior no ha terminado. 3. El retardo de la puesta en marcha está activo. | <ol style="list-style-type: none"> 1. Asegúrese que la llave de agua (generalmente ubicada abajo de la pila de cocina) esté abierta y revise que la manguera de agua no esté doblada o tapada. 2. Consulte la sección "Cancelar o cambiar el ciclo" de este manual. 3. Cancele el retardo de la puesta en marcha o espere hasta que termine el tiempo del retardo. Consulte la sección "Retardar la Puesta en Marcha" de este manual. |
| Fugas de agua | <ol style="list-style-type: none"> 1. Espuma (agua jabonosa). 2. Tal vez se jaló el sello de la puerta de su guía. 3. La abertura de condensación está tapada. 4. Mala instalación. | <ol style="list-style-type: none"> 1. El tipo de detergente equivocado causa espuma y fugas. Use sólo detergentes para lavadoras de platos. Si aún se presenta espuma, añada una cucharada de aceite vegetal en el piso de la lavadora de platos y ponga a trabajar el ciclo deseado. 2. Asegúrese que el sello de la puerta esté en su guía. 3. Asegúrese que la abertura de condensación no esté tapada. Consulte "Cómo cargar artículos extra altos" en la sección "Cómo Cargar la Lavadora de Platos" de este manual. 4. Contrate a personal calificado para verificar la instalación (suministro de agua, sistema de drenaje, nivelación, tuberías). |
| Manchas en la tina | <ol style="list-style-type: none"> 1. Las manchas en el interior de la lavadora de platos se deben a la dureza del agua 2. Los cubiertos tienen contacto con la tina. | <ol style="list-style-type: none"> 1. Jugo concentrado de limón puede reducir la formación de las manchas de agua dura. Inicie un ciclo normal hasta llegar al enjuague e interrumpa el ciclo y luego coloque una taza con la solución concentrada del jugo de limón en la rejilla superior y termine el ciclo. Esto se puede hacer periódicamente para evitar la formación de manchas. 2. Asegúrese que los cubiertos no tengan contacto con la tina durante un ciclo. |
| Hay rayas en los artículos de cristal o residuos en los trastes | Ajuste incorrecto del agente de enjuague | Ajuste el surtidor del agente de enjuague dependiendo de la dureza del agua. Consulte la sección "Añadir Detergente y Agente de Enjuague" de este manual. |
| El panel del tablero está decolorado o marcado | Se utilizó un detergente abrasivo. | Use detergentes suaves con un paño húmedo. |
| Ruido durante el ciclo de lavado | Tal vez los trastes están mal acomodados. | Oír el agua circular es normal, pero si usted sospecha que los trastes están pegándose o que están pegando a los brazos rociadores, consulte la sección "Cómo Cargar la Lavadora de Platos" de este manual. |
| No se cierra la tapa del surtidor de detergente | <ol style="list-style-type: none"> 3. Mal funcionamiento de la tapa de detergente. 4. El ciclo anterior no ha sido terminado, reseteado o el ciclo fue interrumpido. | <ol style="list-style-type: none"> 5. Consulte la sección "Añadir Detergente y Agente de Enjuague" de este manual para las instrucciones de cómo abrir y cerrar el surtidor. 6. Consulte la sección "Cancelar o cambiar el ciclo" de este manual. |
| No se puede seleccionar el ciclo deseado | El ciclo anterior no ha terminado. | Consulte la sección "Cancelar o cambiar el ciclo" de este manual. |

Servicio al Cliente

Su lavadora de platos Gaggenau no requiere de ningún otro cuidado especial del que se describe en la sección de Cuidado y Mantenimiento. Si usted tiene algún problema con su lavadora de platos, antes de solicitar servicio técnico, por favor consulte la sección de Autoayuda. Si se necesita servicio, póngase en contacto con su distribuidor o instalador o con un centro de servicio autorizado. No trate de reparar el aparato usted mismo. Todo trabajo realizado por personas no autorizadas puede invalidar la garantía.

Si usted tiene algún problema con su lavadora de platos Gaggenau y no está contento con el servicio que ha recibido, tome los siguientes pasos por favor (en el orden listado abajo) hasta corregir el problema a su entera satisfacción:

1. Contacte a su instalador o al contratista de servicio autorizado por Gaggenau en su área.
2. Mándenos un correo electrónico desde la sección de servicio al cliente en nuestra página Web, www.gaggenau-usa.com.
3. Llame al 1.877.442.4436

Por favor incluya la información de su modelo listado abajo así como una explicación del problema y la fecha cuando se originó.

Usted podrá encontrar la información sobre el número de modelo y el número de serie en la placa (etiqueta) que se encuentra en la orilla derecha de la puerta de la lavadora de platos.

Además, si nos escribe, favor de incluir un número telefónico donde lo podamos localizar durante el día.

Por favor saque una copia de su factura y guárdela junto con este manual. El cliente debe mostrar un comprobante de compra para obtener el servicio de garantía.

Información de su modelo:

- Número de modelo
- Número de serie
- Fecha de compra
- Fecha de instalación

CUIDADO

Quitar alguna tapa o jalar la lavadora de platos fuera del gabinete puede exponer conexiones de agua caliente, de corriente eléctrica o bordes o puntas filosas.

Declaratoria de Garantía Limitada del Producto

Lavadora de Platos Gaggenau

Lo que esta garantía cubre y para quiénes aplica: Las garantías ofrecidas por BSH Home Appliances en esta Declaratoria de Garantía Limitada aplican sólo al aparato electrodoméstico de Gaggenau ("Producto") que usted compró, el primer usuario comprador, siempre y cuando el Producto fue adquirido (1) para su uso casero normal (no comercial) y que en realidad ha sido utilizado siempre para propósitos domésticos normales; (2) nuevo en la tienda (no un equipo de exhibición, "tal como es", o un modelo previamente devuelto) y no para la reventa o uso comercial; y (3) en los Estados Unidos o Canadá y que siempre ha permanecido en el país de la compra original. Las garantías declaradas aquí aplican sólo al primer usuario comprador del Producto y no se pueden transferir. Gaggenau se reserva el derecho de solicitar un comprobante de la compra al momento de someter una reclamación de garantía para confirmar que el Producto está sujeto al alcance de la garantía limitada de producto.

• Asegúrese por favor de devolver su tarjeta de registro; aunque no es necesario para efectuar la cobertura de la garantía, es la mejor manera para Gaggenau de notificarle a usted en el caso poco probable de un aviso de seguridad o una devolución del producto.

Duración de la garantía: Gaggenau garantiza que el Producto está libre de defectos en materiales y mano de obra por un período de mil ochocientos veinticinco (1,825) días (5 años) a partir de la fecha de compra. El tiempo mencionado arriba comienza a ejecutarse a partir de la fecha de compra y no se puede detener, estar sujeto a derechos, extender o suspender por ningún motivo.

Reparación/Reemplazo como su único remedio: Durante el período de garantía, Gaggenau o uno de sus centros de servicio autorizados va a reparar su Producto sin costo alguno para usted (sujeto a ciertas limitaciones mencionadas aquí), si su Producto resulta defectuoso en materiales y fabricación. Si se hicieron intentos razonables para reparar el Producto sin éxito, entonces Gaggenau va a reemplazar su Producto (modelos más actuales pueden estar disponibles para usted, a discreción exclusiva de Gaggenau, con un cargo adicional). Todas las partes y componentes remitidos se convertirán en propiedad de Gaggenau a su discreción. Todas las partes reemplazadas y/o reparadas asumirán la identidad de la parte original para los propósitos de esta garantía y esta garantía no se puede extender con respecto a tales partes. La única responsabilidad de Gaggenau bajo esta garantía es reparar el Producto defectuoso de fábrica usando un proveedor de servicio autorizado por Gaggenau durante horarios normales de trabajo. Por cuestión de seguridad y daños al producto, Gaggenau recomienda altamente que usted mismo no intente reparar el Producto o usar un centro de servicio no autorizado; Gaggenau no será responsable de reparaciones o trabajos realizados por un centro de servicio no autorizado. Si usted elige a alguien diferente que un proveedor de servicio autorizado para trabajar con su Producto, ESTA GARANTÍA PERDERÁ AUTOMÁTICAMENTE SU VALIDEZ. Proveedores de servicio autorizados son aquellas personas o empresas que han sido entrenados especialmente en productos de Gaggenau y quienes tienen, en opinión de Gaggenau, una excelente reputación para dar servicio al cliente y ofrecer servicios técnicos de gran calidad (Se trata de entidades independientes y no de agentes, socios, afiliados o representantes de Gaggenau). No obstante lo anterior, Gaggenau no será responsable para el Producto si está ubicado en un área remota (más de 100 millas (160 kilómetros) de un proveedor de servicio autorizado) o si está en un entorno o ambiente inaccesible, peligroso, amenazador o traicionero; en cualquier caso, si usted lo solicita, Gaggenau aún así pagará la mano de obra y las partes y enviará las partes al proveedor de servicio autorizado más cercano, pero usted tendría toda la responsabilidad de viajar y enfrentar los gastos especiales generados por la empresa de servicio, suponiendo que ésta acepta la visita para dar el servicio.

Garantía limitada extendida: Del tercer al sexto año a partir de la fecha de compra en las partes del sistema de refrigeración sellado según listado. Gaggenau pagará las refacciones especificadas de fábrica y la mano de obra de reparación para corregir los defectos en materiales o mano de obra en el sistema de refrigeración sellado. Estas partes son el vaporizador, condensador, secador y tubo de conexión. Del séptimo al décimo segundo año a partir de la fecha de compra en las partes del sistema de refrigeración sellado solamente según listado. El servicio debe ser realizado por una empresa de servicio designada por Gaggenau.

Producto fuera de garantía: Gaggenau no está obligado por la ley o de otra

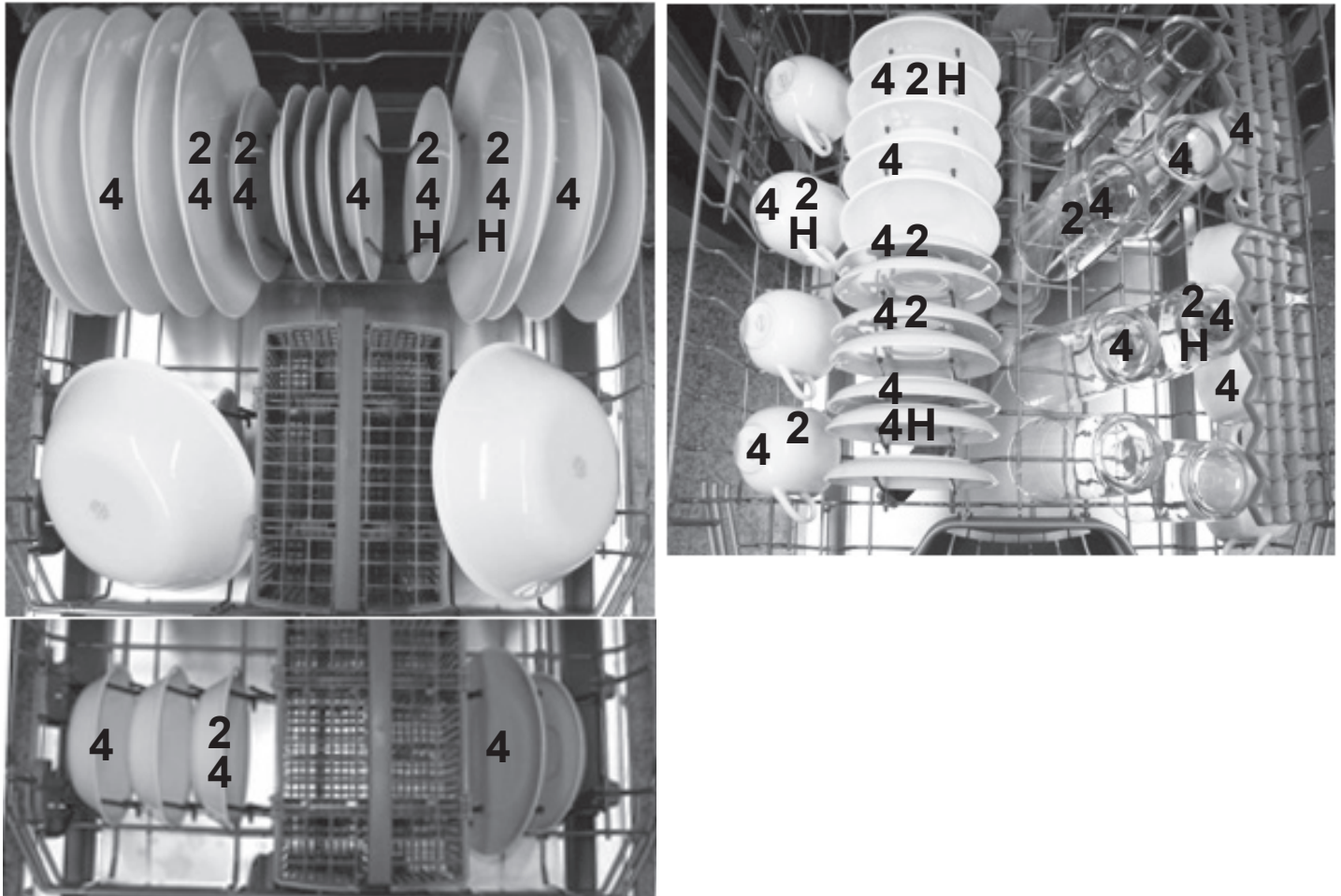
forma, de proporcionarle a usted alguna concesión, incluyendo reparaciones, prorratas, o el reemplazo del Producto, una vez que esta garantía haya llegado a su vencimiento.

Exclusiones de la garantía: La cobertura de la garantía que se describe aquí excluye todos los defectos o daños que no son la responsabilidad directa de Gaggenau, incluyendo sin limitación, uno o más de los siguientes puntos: (1) el uso del Producto en un modo diferente de su uso normal, usual e intencionado (incluyendo sin limitación cualquier forma de uso comercial, el uso o almacenamiento de un producto para interiores en el exterior, el uso del Producto junto con naves marítimas o aéreas); (2) el mal comportamiento intencional de cualquier parte, negligencia, mal uso, abuso, accidentes, descuido, operación incorrecta, falta de mantenimiento, instalación incorrecta o negligente, manipulación, falta de observar las instrucciones de operación, mal manejo, servicio no autorizado (incluyendo "arreglos" hechos por usted mismo o explorar el funcionamiento interno del aparato); (3) ajustes o alteraciones o modificaciones de cualquier tipo, (4) la falta de cumplir con los códigos, regulaciones o leyes eléctricas y/o de construcción estatales, locales y municipales que pueden aplicar, incluyendo la falta de instalar el producto conforme a los códigos y las regulaciones locales de fuego y construcción; (5) el desgaste normal, derrames de alimentos o líquidos, acumulaciones de grasa u otras substancias acumuladas sobre, en o alrededor del Producto y (6) fuerzas y factores externos, elementales y ambientales, incluyendo sin limitación, lluvia, viento, arena, inundaciones, fuegos, deslizamiento de lodo, temperaturas bajo cero, exceso de humedad o exposición extendida a humedad, relámpagos, sobretensiones, fallas estructurales alrededor del aparato y casos fortuitos. Por ningún motivo Gaggenau será responsable de daños a la propiedad cercana al aparato, incluyendo gabinetes, pisos, techos y otras estructuras u objetos que rodean el Producto. También se excluyen de esta garantía raspaduras, hendiduras, abolladuras ligeras y daños cosméticos en superficies externas y partes expuestas; Productos donde se alteró, se desfiguró o se quitó el número de serie; visitas de servicio para enseñarle como usar el Producto, o visitas donde no hay nada malo con el Producto; la corrección de problemas de la instalación (usted es el único responsable de cualquier estructura y entorno para el producto, incluyendo todas las instalaciones eléctricas, hidráulicas u otras conexiones, para una cimentación/pisos adecuados y para alteraciones incluyendo sin limitación gabinetes, paredes, pisos, estantes, etc.); y para poner o reemplazar cortacircuitos o fusibles. **AL GRADO PERMITIDO POR LA LEY, ESTA GARANTÍA ESTABLECE SUS REMEDIOS EXCLUSIVOS CON RESPECTO AL PRODUCTO, SIN IMPORTAR SI LA RECLAMACIÓN SURGE EN CONTRATO O AGRAVIO (INCLUYENDO LA RESPONSABILIDAD ESTRUCTIVA, O NEGLIGENCIA). ESTA GARANTÍA SUSTITUYE TODAS LAS OTRAS GARANTÍAS EXPRESAS O IMPLÍCITAS. CUALQUIER GARANTÍA IMPLICADA POR LA LEY, YA SEA DE COMERCIABILIDAD O APTITUD PARA ALGÚN PROPÓSITO PARTICULAR, SERÁ EFECTIVA SOLAMENTE POR EL PERÍODO EFECTIVO EXPRESADO EN ESTA GARANTÍA. BAJO NINGÚN MOTIVO EL FABRICANTE SERÁ RESPONSABLE DE DAÑOS CONSECUCIONALES, ESPECIALES, INCIDENTALES, INDIRECTOS, LA "PÉRDIDA DE NEGOCIO" Y/O DAÑOS PUNITIVOS, PÉRDIDAS, O GASTOS, INCLUYENDO SIN LIMITACIÓN EL TIEMPO AUSENTE DEL TRABAJO, HOTELES Y/O COMIDAS EN RESTAURANTES, GASTOS DE REMODELACIÓN EN EXCESO DE LOS DAÑOS DIRECTOS QUE DEFINITIVAMENTE FUERON CAUSADOS EXCLUSIVAMENTE POR GAGGENAU, O DE OTRA FORMA. ALGUNOS ESTADOS NO PERMITEN LA EXCLUSIÓN O LIMITACIÓN DE DAÑOS INCIDENTALES O CONSECUCIONALES, Y ALGUNOS ESTADOS TAMPOCO PERMITEN LIMITAR LA DURACIÓN DEL PERÍODO DE TIEMPO DE UNA GARANTÍA IMPLICADA, DE MODO QUE LAS LIMITACIONES MENCIONADAS ARRIBA TAL VEZ NO APLICAN PARA USTED. ESTA GARANTÍA LE OTORGA DERECHOS ESPECÍFICOS, Y USTED PUEDE TENER TAMBIÉN OTROS DERECHOS QUE VARIAN DE ESTADO A ESTADO. Ningún intento de alterar, modificar o enmendar esta garantía será efectivo a menos que haya sido autorizado por escrito por un ejecutivo de BSH.**

Cómo obtener el servicio de garantía: Para obtener servicio de garantía para su Producto, póngase en contacto con el centro de servicio autorizado de Gaggenau más cercano.

**Appendix A: (not customer relevant)
Energy Test (DOE) Load Pattern**

**Annexe A: (pas pertinente client)
Test de l'énergie (DOE) Modèle de charge**



*2 = 2 place setting pattern
4 = 4 place setting pattern
H = Half place setting pattern*

*2 = modèle de réglage 2 place
4 = modèle de réglage 4 place
H = modèle de réglage Half lieu*

9000825296 (9212)

Gaggenau

1901 Main Street, Suite 600

Irvine, CA 92614

USA

Phone +1.877.442.4436

info@gaggenau-usa.com

www.gaggenau-usa.com

GAGGENAU

Free Manuals Download Website

<http://myh66.com>

<http://usermanuals.us>

<http://www.somanuals.com>

<http://www.4manuals.cc>

<http://www.manual-lib.com>

<http://www.404manual.com>

<http://www.luxmanual.com>

<http://aubethermostatmanual.com>

Golf course search by state

<http://golfingnear.com>

Email search by domain

<http://emailbydomain.com>

Auto manuals search

<http://auto.somanuals.com>

TV manuals search

<http://tv.somanuals.com>