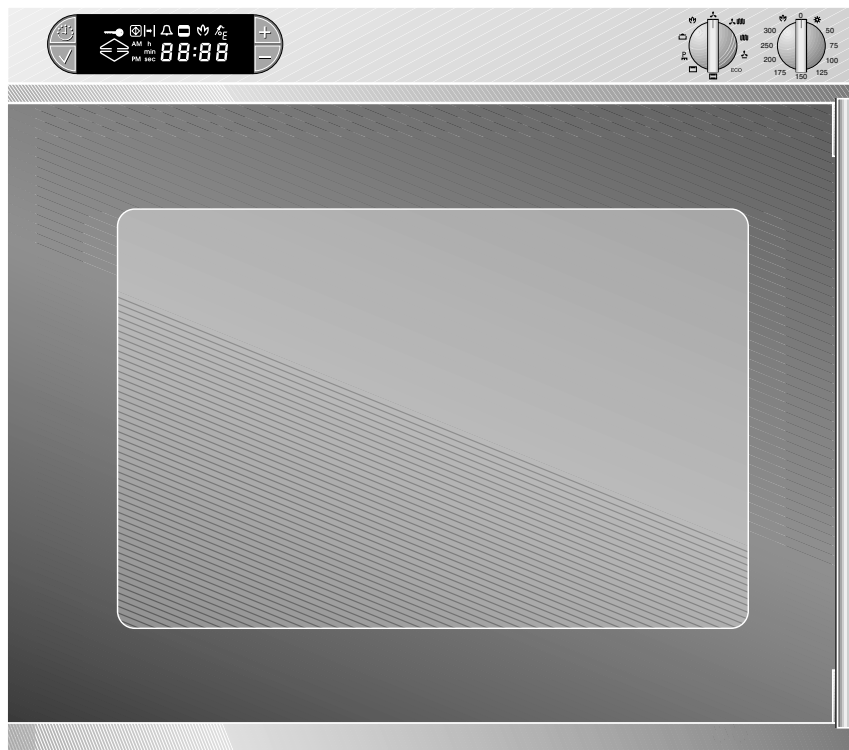


Operating and Installation Instructions

EB 260/261

Built-in oven



GAGGENAU

Preface

1. Important notes	Page 3-4
1.1 For your safety	Page 3
1.2 Operating for the first time	Page 3
1.3 About use	Page 4
2. Structure and operating principle	Page 5-10
2.1 Structure	Page 5
2.2 Accessories / special accessories	Page 6
2.3 Operating principle of the operating modes	Page 7-9
2.4 Special functions	Page 10
3. Operation	Page 11-21
3.1 Overview	Page 11
3.2 Operating the timer	Page 12-16
Time of day	Page 13
Short time	Page 14
Elapsing timer	Page 14
Programming a cooking time	Page 15
Programming a switch-off time	Page 16
Programming a cooking time and an off time	Page 16
3.3 Hot air circulation	Page 17
3.4 ECO	Page 17
3.5 Top and bottom heat / Top heat	Page 18
3.6 Hot air circulation and bottom heat	Page 18
3.7 Grilling	Page 19
3.8 Special functions	Page 20-21
4. Baking and roasting table	Page 22-25
5. Tips and tricks	Page 26-27
6. Cleaning and care	Page 28-30
6.1 Manual cleaning	Page 28
6.2 Pyrolysis (self-cleaning)	Page 29-30
7. Maintenance	Page 31-32
7.1 General	Page 31
7.2 Replacing the lamp	Page 31
7.3 Disassembly of the front window	Page 32

Preface

Baking with your new oven will be even more fun than before.

The appliance offers you the following advantages:

- Very rapid heating up in the hot air and bottom heat modes.
- The appliance features CleanEmail and a catalytic cleaning function for air cleaning.

To ensure that you will be able to use this appliance in all its diversity, read through the operating and assembly instructions conscientiously before operating it for the first time. The instructions contain important notes on use, installation and maintenance of the appliance.

You will find notes on Page 3 that you ought to observe before operating the appliance for the first time.

The chapters entitled **“Structure and operating principle”** and **“Operation”** will tell you all the things your oven is capable of doing and how it is operated.

The chapter entitled **“Cleaning and care”** will make sure that your appliance will stay operable and beautiful for a long time.

We have also compiled some **“Tips and tricks”** for you.

And now we wish you lots of fun with your oven.



Fig. 1

1. Important notes

1.1 For your safety

You must not operate the appliance if it is **damaged**.

The appliance must only be connected by an **authorised specialist**, paying attention to the relevant regulations of the power supply companies and the regional construction regulations.

Observe the assembly instructions!

When connecting electrical appliances and devices in the proximity of cooking surfaces and ovens, make sure that **connecting cables** do not become jammed under the hot oven door or come into contact with hot cooking surfaces.

As the user, you yourself are responsible for maintenance and proper use in the household.

Only ever operate the appliance **under supervision**.

Caution: fire risk! Do not store any combustible items in your oven. During operation, only leave the parts in the cooking compartment that you actually need.

Caution! The appliance and, until the cooling fan is switched on, also the control panel heat up during operation. Keep children away!

Note: to avoid jeopardising the electrical safety of the appliance, it is forbidden to use **high-pressure or steam jet cleaning devices**.

The appliance has to be isolated from the mains during all **maintenance**. To do this, remove the mains plug or actuate the corresponding fuse.

Repairs may only be carried out by authorised electricians, in order to guarantee the safety of the appliance.

No **warranty claims** can be lodged for any damage resulting from failure to observe these instructions.

Technical modifications reserved.

1.2 Operating for the first time

Before operating the appliance for the first time, please pay attention to the following notes:

Read through these instructions attentively before operating your appliance for the first time.


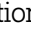
The appliance must be installed and connected by a **specialist**.

Remove the packaging from the appliance and dispose of it properly. Pay attention to the fact that there are accessories in the base of the packaging. Keep **packaging material** away from children.

Before operating the appliance for the first time, make sure that the mains connection is in proper working order.

Before using the oven for the first time, remove all removable interior parts (grid iron, tray ...). Now operate the oven for one hour at 300 °C in the hot air mode. During this time, pay attention to ensuring that the room is ventilated well, thus removing any newness smells.

Thoroughly clean the appliance and accessories before using them for the first time (see chapter entitled "Cleaning and care").

After a new connection or a power failure, the suggested time of 8:00 lights up on the display and the  symbol (Time unit) flashes. By pressing the + and - keys, you can set the current time and you can confirm it by pressing the  (Confirmation) key. This will ensure perfect functioning of the appliance. The suggested time 8:00 will be stored as the time of day if you turn one of the control knobs.

The rating plate for this appliance is visible when you open the appliance door. An additional rating plate is included on a separate sheet of the instructions. **For warranty reasons**, store this rating plate in the same location as your operating and assembly instructions.

1.3 About use

The appliance is intended solely for use in the household and must not be put to any other uses.

Use the appliance to prepare meals only. It must not be used to heat up the room in which it is installed.


Caution! You will risk injuring yourself, should you close the door improperly. You might jam and crush your fingers and hands.


Do not store any combustible objects in your oven and, when operating the oven, never leave any items inside the oven compartment other than the ones needed.

Make sure that the bottom of the oven compartment is never covered up during operation or lined with aluminium foil.

Never pour water directly into the hot oven. This could damage the enamel.

Always preheat your oven in the mode in which you intend to bake or roast.

Tip: you have a possibility of heating up the appliance very quickly. To do this, use the  hot air and bottom heat program.

The  "Heating" symbol in the control panel goes off as soon as the set temperature has been reached.

Observe caution with oils and fats. They may overheat and burn easily.

Note! Fruit acids such as the juice of lemons or plums etc. should be removed after every baking operation, thus making sure that they will not cause spots on the oven's enamel.

After baking/roasting, open the door completely or close it. Do not leave the oven door half open as otherwise the control panel and kitchen furniture may be damaged.

Caution: risk of burns. The inside of the door gets very hot during operation; observe appropriate caution when opening the appliance. Make sure that the open door does not swing back when you are standing in front of the appliance.

Built-in temperature protection prevents overheating of the appliance and of kitchen furniture.

Return the "Temperature" knob to "0" after baking.

If malfunctions should occur, first check the fuses in your household. If there is no fault in the power supply, consult your dealer or the nearest authorised Gaggenau service centre.

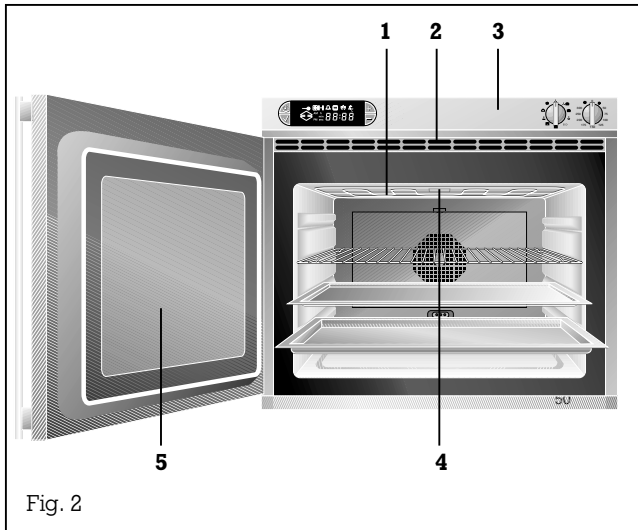
All heating elements and the fan are switched off when you open the door.

After completion of baking or roasting, the cooling fan will continue to run for a time and will then switch off automatically.

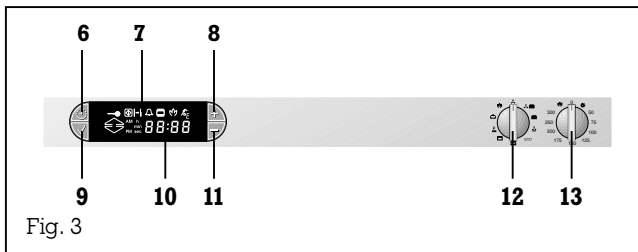
The socket for the separate heating element for the roaster and the baking stone (special accessory), can be found in the middle of the back panel at the bottom. During normal operation, please leave the cover in the socket.

2. Structure and operating principle

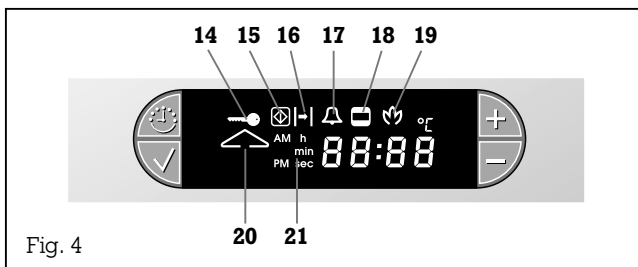
2.1 Structure



- 1 Grill and top heating elements
- 2 Ventilation slots
- 3 Control panel
- 4 Oven lighting
- 5 Oven door

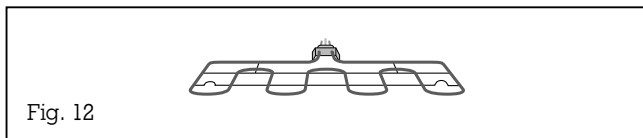
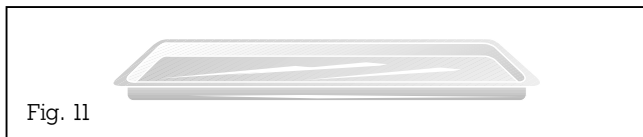
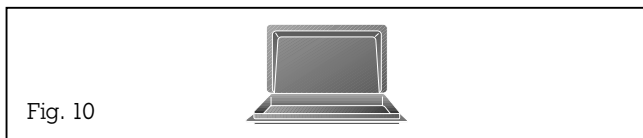
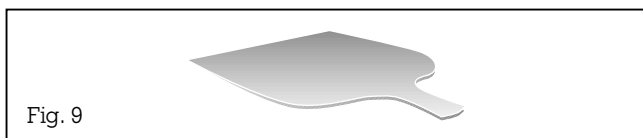
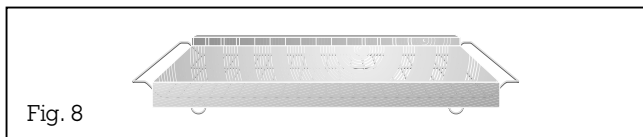
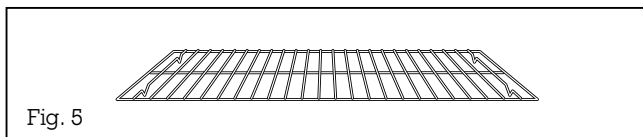


- 6 Timer key
- 7 Display with timer
- 8 "Plus" key
- 9 "Confirm" key
- 10 Time/temperature display
- 11 "Minus" key
- 12 "Mode" knob
- 13 "Temperature" knob



- 14 "Door lock" symbol
- 15 "Child lock" symbol
- 16 "Duration" symbol
- 17 "Quick timer" symbol
- 18 "Cooking time" symbol
- 19 "Pyrolysis" symbol
- 20 "Heating" symbol
- 21 "Time unit" symbol

2.2 Accessories / special accessories



As standard, your appliance comes with the following **accessories**:

- **GR 200-046:**
Grid iron for cake tins, roasts, grilled pieces and crockery (Fig. 5)
- **KB 200-046:**
Baking tray for cakes, biscuits and pastries (Fig. 6)
- **GP 200-046:**
Grilling tray for roasts or as a grease collecting tray (Fig. 7)

You can order the following **special accessories**:

- **PS 026-001:**
Baking stone and wooden pizza spatula (Fig. 8 and 9)
- **BT 026-001:**
Roaster (Fig. 10)
- **KB 110-046:**
Glass tray for soufflés and much more (Fig. 11)
- **HZ 026-001:**
Heating element for roaster and baking stone, variable up to 300 °C (Fig. 12)
- **GR 082-046:**
Grid iron
- **GR 085-046:**
Grid iron for grilling tray

2.3 Operating principle of the operating modes

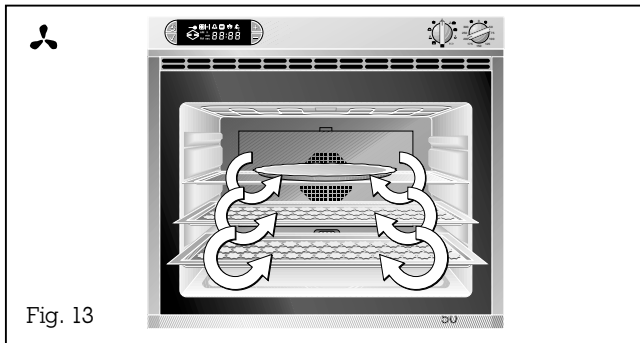


Fig. 13

Hot air circulation

In the hot air circulation mode, all prepared meals are cooked at the same temperature. Diverse or similar meals can be prepared on several levels without any transfer of taste.

You can bake, roast and sterilise with hot air.

Baking with hot air circulation

This is the ideal operating mode for baking several trays and tins at the same time. (Fig. 13)

Roasting with hot air circulation

Meat is evenly browned on all sides. When roasting on the grid iron, push the grilling tray one level lower to collect dripping fat.

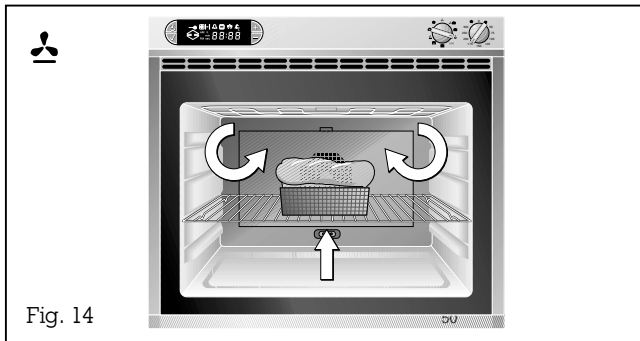


Fig. 14

Hot air circulation and bottom heat

When this function is used, the bottom heating element is additionally in operation.

The fan wheel ensures a uniform distribution of heat. Heat is also generated from below. (Fig. 14)

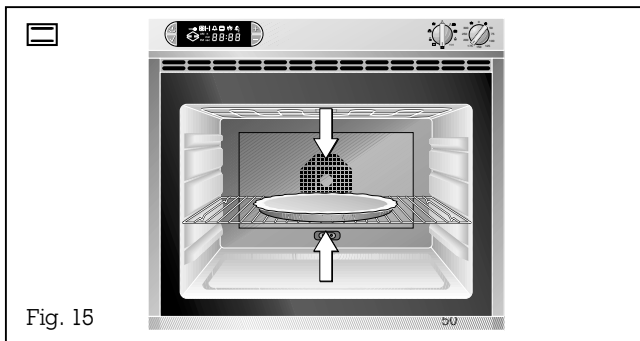
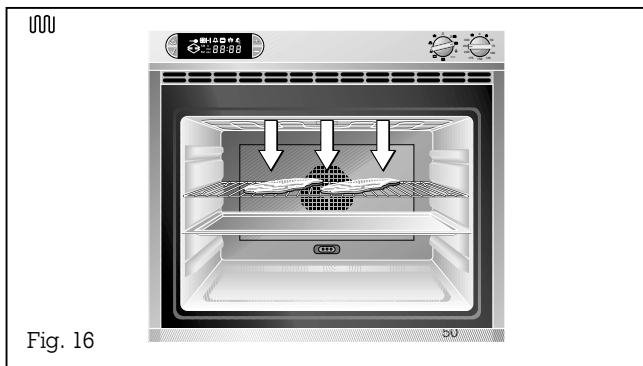


Fig. 15

Top and bottom heat

Two heating elements (top and bottom heat) are operated jointly. When baking with top and bottom heat, you can only use one level. You get the best baking and roasting results on the second level from below. (Fig. 15)

This unit allows you to select the top heat element separately. In this mode of operation you can deliberately choose to bake or roast food from the top.



Grilling

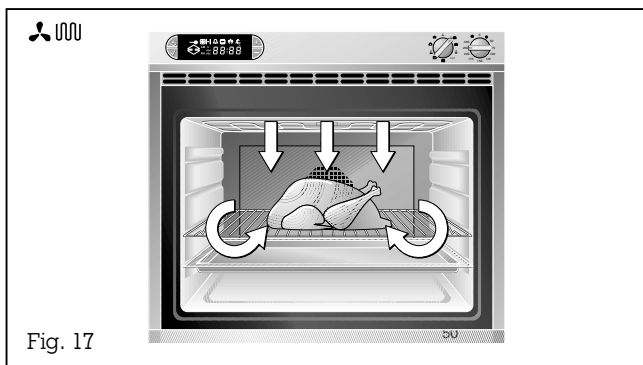
When grilling, food is cooked/roasted at a temperature of 150-300 °C from above. A distinction can be made between the following kinds:

Temperature-controlled grilling

During temperature-controlled grilling, the heating element emits a greater or lesser amount of infrared radiation depending on the setting of the temperature selector switch. (Fig. 16)

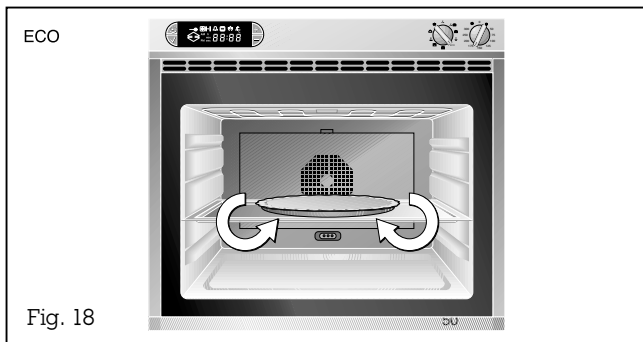
This method of grilling is suitable for flat pieces of meat and for browning or gratins.

Do not forget to turn grilled food!



Grilling with the hot air fan

The additional fan circulates the hot air and so ensures a more even heat, when grilling several items at the same time. There is no need to turn the food frequently. (Fig. 17)



ECO

Using the ECO mode is an energy saving way to prepare cakes, small pastries and gratins with hot air circulation. The light and catalytic converter heating are switched off in this mode and the oven will take longer to heat up. When you program the timer, the heating element will be switched off before the cooking time has elapsed, thus exploiting the residual heat. (Fig. 18)



Baking stone operation (with special accessories PS 026 and HZ 026 only)

Be it crispy pizza or fresh bread – with the baking stone you produce baking results that are comparable to those of a solid stone oven. (Fig. 19)



Roaster operation (with special accessories BT 026 and HZ 026 only)

Using the cast roaster, you can brown and gently roast large quantities of meat, or you can prepare a Christmas turkey or a large oven-baked dish. (Fig. 20)

2.4 Special functions

Display of the current oven temperature (Thermostest)

The current oven temperature is displayed for a few seconds when you press the ✓ (Confirmation) key.

Note: when the oven is operated continuously, temperature fluctuations of up to 5 °C, which are inherent to the system, may occur.

Power failure safeguard

When the oven is on and a power failure occurs, the heating process is stopped when the power returns after the failure.

Note: the appliance bridges a power failure lasting 5 minutes without any consequences.

Holiday safeguard

Every oven heating process is cancelled after 12 hours if the oven has not been operated during this time. This function is not active if the timer has been programmed.

Child lock

The child lock prevents inadvertent activation of the oven.

ECO plus mode

When you select the energy saving ECO plus mode in the options menu, the light and catalytic converter heating are switched off during the cooking process in all the heating modes. If the timer has been programmed, the oven also switches off the heating element before expiry of the programmed time to make use of the residual heat.

3. Operation

3.1 Overview

Inserting the baking tray

- Insert the baking tray at the same height on both sides.
- Make sure that the notch on the baking tray is at the rear and that the handle is at the front.

Switching on

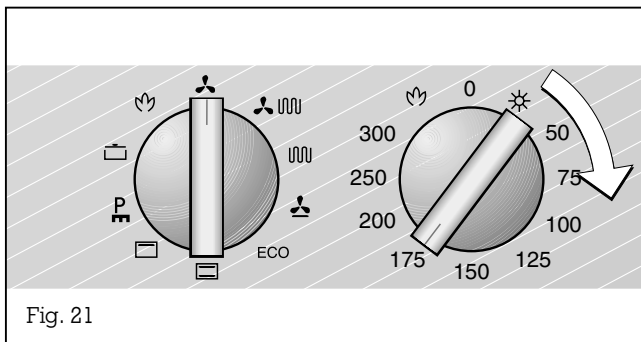


Fig. 21

Switching off

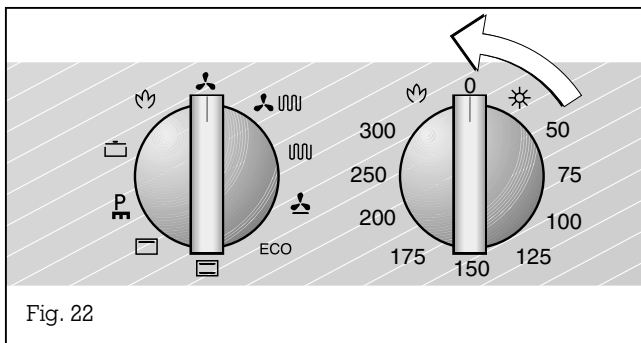


Fig. 22

“Temperature” knob:

The temperature can be set within the range from 50 - 300°C – in 5° steps from 50 - 200°C and in 10° steps from 200 - 300°C.

“Mode” knob:

You can choose from 10 programs:

- Hot air circulation
- Grilling with the hot air fan
- Grilling
- Hot air circulation with bottom heat
- ECO
- Top and bottom heat
- Top heat
- Baking stone operation
- Roaster operation
- Pyrolysis (self cleaning)

Switching on: (Fig. 21)

Turn the “Temperature” control knob to operate the appliance.

You can set any temperature by turning the “Temperature” control knob to the right. The control knob has latching positions. The first latching position on the right is the lighting level. The set temperature is shown on the display for a few seconds.

Switching off: (Fig. 22)

To switch off, turn the “Temperature” control knob to the 0 position. The lighting goes off and now only the current time of day appears on the display.

Note: after switching off the oven, the cooling fan will continue to run for a time to protect the electronics and will then switch off automatically.

3.2 Operating the timer

The required mode and temperature can be set before and after time programming by turning the "Temperature" or "Mode" knob.

As long as one or several symbol(s) in the display flash(es), no input is possible and no value is programmed or an invalid value has been programmed.

All time values are entered by means of the ⌚ (Timer), +, - and ✓ (Confirmation) keys. Every input triggers an audible and a visible signal.

If you select a program (e.g. end), but you do not enter a value, the current time will appear on the display after 20 seconds.

An entered value (e.g. duration programming) must be confirmed within 20 seconds ✓ (Confirmation key). Entered values are not stored if they are not confirmed.

Press the ✓ (Confirmation) key if you wish to confirm a value during programming. If you press any other key instead, the entered value will not be stored and will disappear.

You can query set values by pressing the ⌚ (Timer) key. The value appears on the display for around 10 seconds. During this time, you can modify the value by pressing the + or - key and you can confirm it by pressing the ✓ (Confirmation) key.

Press the + and - keys at the same time if you wish to clear a value.

If you have already programmed a time value once (e.g. a duration) on the appliance, this previously programmed value will be proposed to you when programming a value again.

The longer you press the + or - key when programming a time, the faster the time elapses on the display.

After the programmed time has elapsed, the corresponding symbol flashes on the display. For example, if you have programmed an end time, the -| (End time) symbol will flash. An audible signal is also sounded. Heating is deactivated and the oven lighting goes off. You can restart the previously selected mode by pressing any key on the display. You end the baking process by turning the "Temperature" knob to 0.

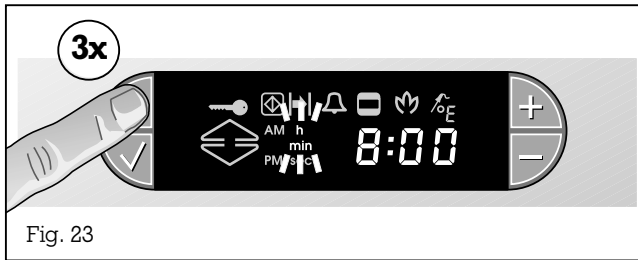
Switching from the automatic mode to the "normal mode":

Turn the temperature control knob back to 0. The oven will then no longer heat. The previously programmed time value is retained. An audible signal sounds after the entered time has elapsed.

Note: if the time is not displayed accurately on the timer, this is not due to a technical defect. The mains frequency of the public power supply is the time base for the timers. In Europe, this is a standard frequency of 50 Hz (Hertz). As far as this point is concerned, power supply networks that are fed from power stations in eastern Europe fluctuate. This is why an incorrect time may be displayed. This discrepancy has no influence on the functions and program sequences of the appliance.

Every alarm goes off after 3 minutes.

Note: all time programming functions can be programmed simultaneously.



Setting the time of day

Proceed as follows:

- Press the 🕒 (Timer) key 3 times. The ^hmin (Time unit) symbol flashes on the display. The time display shows the currently set time of day (Fig. 23).
- You can select the required time by pressing the + or - key.
- Press the ✓ (Confirmation) key to confirm the entered value. An audible signal is sounded.

Note: After a new connection or a power failure, the suggested time of 8:00 lights up on the display and the ^hmin symbol (Time unit) flashes. By pressing the + and - keys, you can set the current time and you can confirm it by pressing the ✓ (Confirmation) key. This will ensure perfect functioning of the appliance. The suggested time 8:00 will be stored as the time of day if you turn one of the control knobs.

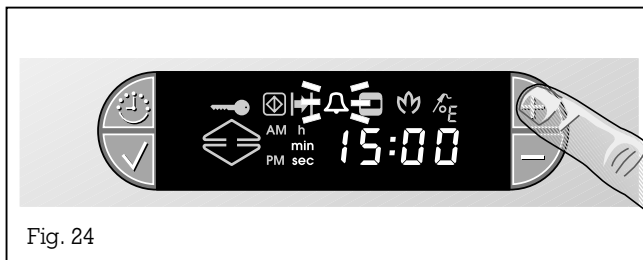


Fig. 24

Short time

You can program a period of time with the short time function without automatic activation or deactivation. You can use this mode of operation even when the appliance is switched off as an egg timer, for example. The range that can be set is between ten seconds (00:10) and 23.59 hours (23:59)

Proceed as follows:

- Press the + key. The short time symbol Δ flashes (Fig. 24).
- The entered value appears on the display, which you can modify by pressing the + or - key. The time unit symbol $\frac{\text{min}}{\text{sec}}$ lights up.
- Press the \checkmark (Confirm) key to confirm the entered value.
- The elapsing time is displayed.

Note: if nothing is entered for 5 seconds, the short time starts even if the \checkmark key (Confirm) is not pressed.

Once the short time has elapsed, an audible signal sounds and the Δ (Short time) symbol flashes on the display. The signal goes off when you press any key. The short time reminder can be switched off at any time by pressing the + and - minus keys at the same time.

Elapsing timer

Proceed as follows:

- Press the - key while the appliance is on (Fig. 25).
- The time, beginning at 00:00, is displayed (maximum value 12 hours). Thus, you can continuously display the elapsed cooking time without programming automatic switch-off. When you press the - key again, the timer is switched off.

You can use this function even when the appliance is switched off.

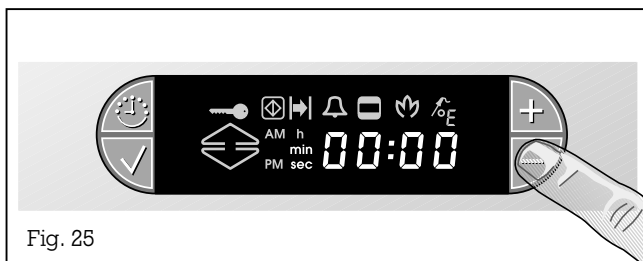
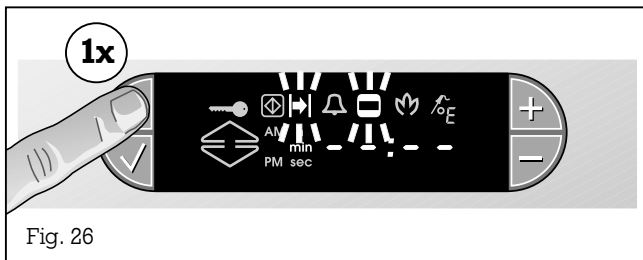


Fig. 25



Programming a cooking time

The appliance is operated for a specific period of time. The range that can be set is between one minute (00:01) and 23 hours and 59 minutes (23:59).

Proceed as follows:

- Press the ⌚ (Timer) key once. The ⏱ (Duration) symbol and the ◻ (Cooking time) symbol flash on the display. Dashes appear on the display (i.e. no value programmed) (Fig. 26).
- Press the + or the - key to set the required duration.
- Press the ✓ (Confirm) key to confirm the set value. An audible signal is sounded. The ◻ (Cooking time) symbol lights up on the display.

Note:

- A signal is sounded after the programmed duration has elapsed. At the same time, the oven switches off automatically.
- Press any key to switch off the signal.
- The programmed duration can only be queried by pressing the ⌚ (Timer) key.

Clearing incorrectly programmed values:

- Press the ⌚ (Timer) key once.
- Press the + and - keys at the same time. An audible signal is sounded.

The end time is display automatically if you press the ⌚ (Timer) key twice.

The next time you program a duration, the previous programmed value is proposed to you when you press the + key.

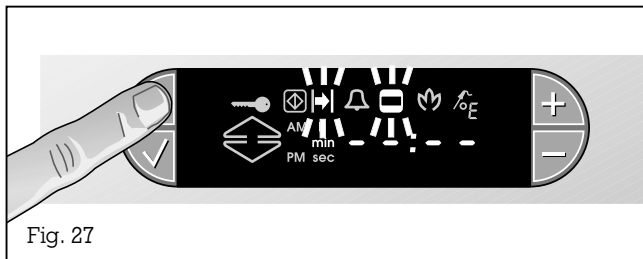


Fig. 27

Note: the time of day that is set on the appliance is the starting point for programming the switch-off time.

You can query the entered value by pressing the ☹️ (Timer) key twice.

Programming a switch-off time

The appliance switches off automatically at a time that you have chosen. The starting point is the time of day set on the appliance.

Proceed as follows:

- Press the ☹️ (Timer) key twice. The ⏸️ (End) and ⏱️ (Cooking time) symbols flash (Fig. 27).
- Press the + or - key to set the required time. You can choose any switch-off time within a period of 24 hours.
- Press the ✓ (Confirmation) key to confirm the entered value. An audible signal is sounded. The ⏱️ (Cooking time) symbol lights up on the display.

After the set time has elapsed, the ⏱️ (Cooking time) symbol flashes and an audible signal is sounded.

By pressing any key, you can switch off the signal and heating will start again. Turn the temperature selector switch to 0 to end the operation.

Programming a cooking time and an off time

This mode enables you to start and end baking and cooking in your absence.

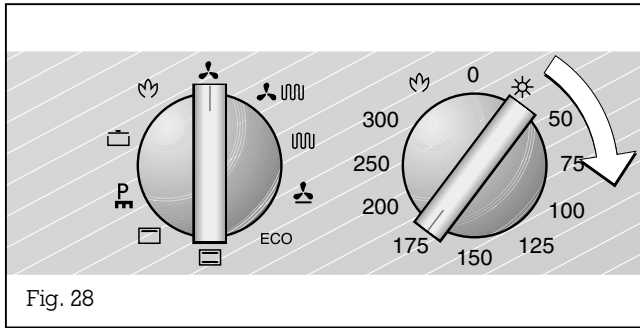
Proceed as follows:

- Enter a required duration (see Page 15)
- Press the ✓ (Confirmation) key
- Enter the required switch-off time (see above)
- Press the ✓ (Confirmation) key

The automatic mode becomes active as soon as the switch-off time is programmed and you have pressed the ✓ (Confirmation) key.

3.3 Hot air circulation

Switching on



Switching on

Turn the "Mode" control knob to the  (Hot air) symbol and set the "Temperature" control knob to the required temperature. (Fig. 28)

You can bake, roast, and sterilise with hot air circulation.

When roasting on the grid iron, insert the grilling tray / glass tray one level lower than the food you are cooking to collect dripping fat.

Switching off

Turn the temperature selector switch to the 0 position. The oven lighting goes off and the hot air fan switches off.

Sterilising

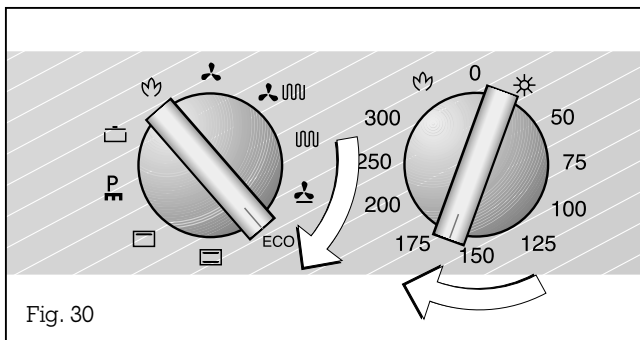


Sterilising

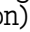
When placing bottles (no more than 6) containing fruit or vegetables in the grill pan / glass tray filled with water, make sure that they do not touch each other. (Fig. 29) Heat them at 175°C until the liquid in the glasses begins to bubble.

- Sterilise vegetables at 80-100°C for app. 30-60 minutes.
- After the onset of bubbling, switch off the oven to sterilise fruit for app. 5-15 minutes.

3.4 ECO

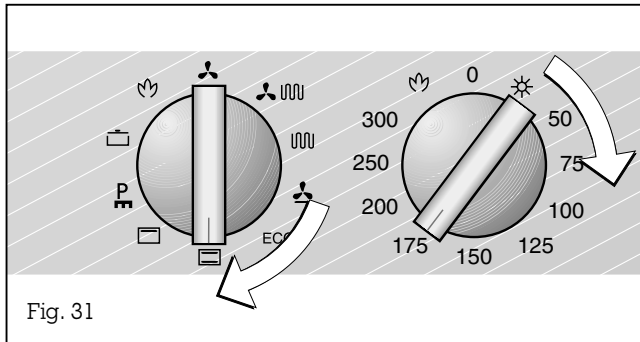


Switching on

Turn the "Mode" control knob to the ECO symbol and set the "Temperature" control knob to the required temperature (Fig. 30). Using the ECO mode is an energy saving way of baking. The oven will take longer to heat up and the light is switched off during baking. You can switch on the lighting for a few seconds by pressing the  (Confirmation) key. In the ECO mode the catalytic converter heating is switched off. Therefore you might notice a slightly stronger smell with certain foods (for example yeast dough) than during normal operation.

3.5 Top and bottom heat / Top heat

Switching on



This unit allows you to select the top heat element separately. In this mode of operation you can deliberately choose to bake or roast food from the top.

Switching on:

Turn the "Mode" control knob to the top and bottom heat symbol and set the "Temperature" control knob to the required temperature. (Fig. 31)

Switching off:

Turn the "Temperature" knob to the 0 position. The oven lighting goes off.

Note:

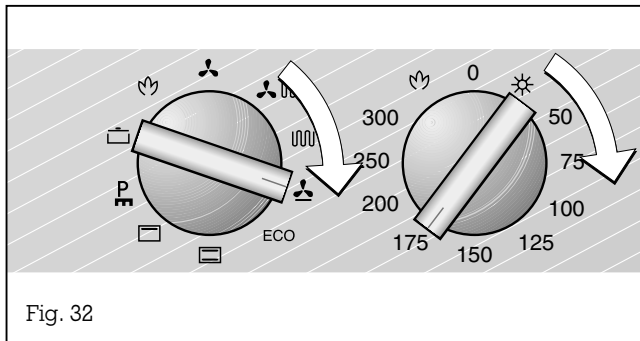
Baking with top and bottom heat

In this mode of operation you can bake in the usual manner on one level.


Roasting with top and bottom heat

Place the meat on the grid iron or in the grill pan / glass tray. When roasting on the grid iron, you can insert the grill pan / glass tray one level lower to collect fat.

3.6 Hot air circulation and bottom heat



Switching on:

Turn the "Mode" control knob to the  (Hot air and bottom heat) symbol. Set the "Temperature" control knob to the required temperature. (Fig. 32)

Switching off:

Turn the "Temperature" knob to the 0 position. The oven lighting goes off.

3.7 Grilling

Switching on

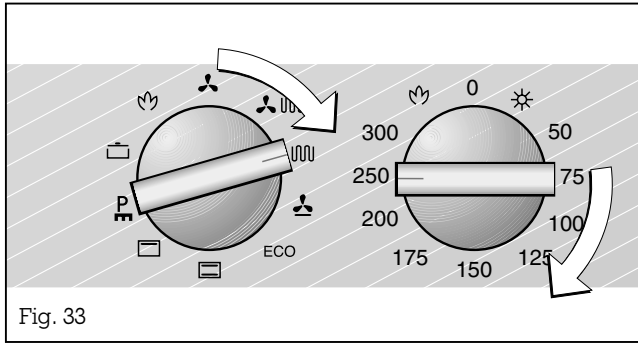
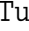


Fig. 33

Note: grilling is possible only when the oven is closed.

Temperature-controlled grilling

Switching on:

Turn the "Mode" control knob to the  (Grilling) symbol.

Turn the "Temperature" control knob to the temperature you require. (Fig. 33)

Switching off:

Turn the "Temperature" control knob to the 0 position.

Note:

When grilling on the grid iron, place the grilling pan/glass tray one level lower than the grilled food.

Switching on

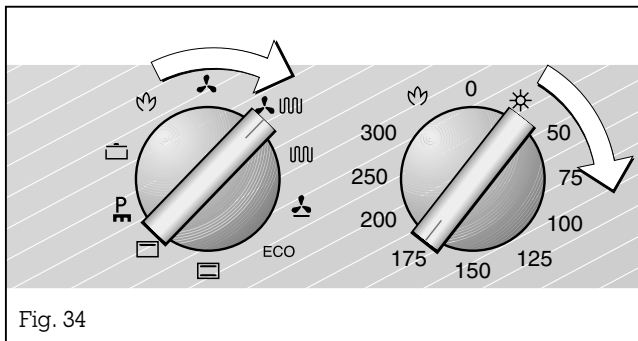
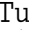


Fig. 34

Grilling with the hot air fan

Switching on:

Turn the "Mode" control knob to the  (Grilling with hot air) setting and set the "Temperature" control knob to the required temperature. (Fig. 34)

Switching off:

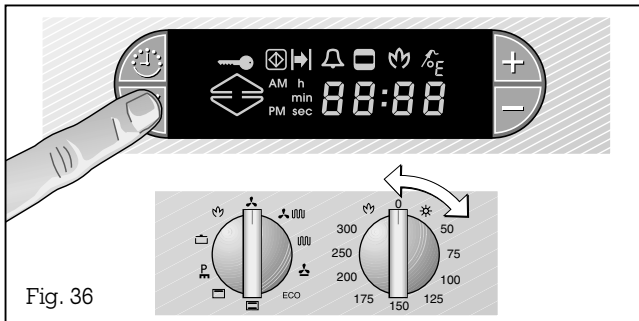
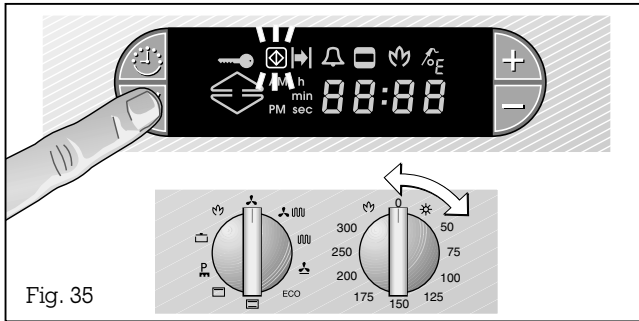
See above.

Caution!

Very high temperatures occur during grilling, and these also warm up doors and frames. Observe the appropriate caution and keep children away!

3.8 Special functions

Child lock



Display of the current oven temperature (Thermost)

Holiday safeguard

The child lock prevents inadvertent activation of the oven.

Proceed as follows:

Switching on:

- Turn the "Temperature" control knob to any position on the right.
- Press the ✓ (Confirmation) key and keep it pressed.
- Turn the "Temperature" control knob to 0.

The ☒ symbol (Child lock) appears on the display.

Switching off:

- Press the ✓ (Confirmation) key and keep it pressed.
- Turn the "Temperature" control knob to any position on the right.
- Release the ✓ (Confirmation) key.
- Press the "Temperature" control knob to 0.

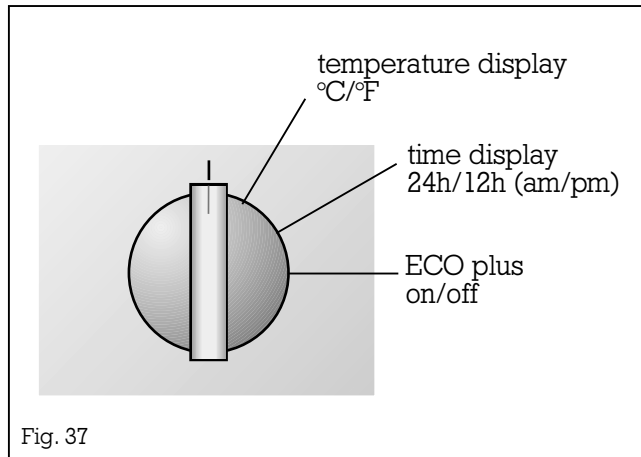
The ☒ symbol (Child lock) disappears from the display.

The current oven temperature will appear on the display for a few seconds when you press the ✓ (Confirmation) key.

For your protection, the oven features holiday safeguard. Every heating operation is switched off after 12 hours if the appliance is not operated during this time. Flashing dashes appear on the display.

Turn the two control knobs to 0. You can then operate the appliance in the way to which you are accustomed.

Options menu



With the aid of the **Options menu**, you can

- choose between °C and °F on the temperature display.
- choose between 12h and 24h (am/pm) on the time display.
- switch the ECO plus mode (power-saving mode) on or off. When you select the energy saving ECO plus mode in the options menu, the light and catalytic converter heating are switched off during the cooking process in all the heating modes. If a cooking time has been programmed, the oven also switches off the heating element before expiry of the programmed time to make use of the residual heat. You can switch on the lighting for a few seconds by pressing any key. In the ECO mode the catalytic converter heating is switched off. Therefore you might notice a slightly stronger smell with certain foods (for example yeast dough, roasting, grilling) than during normal operation.

Note: the setting of the ECO plus mode in the options menu does not influence the ECO mode.

Proceed as follows:

- Turn the two control knobs to the topmost position.
- Press the √ (Confirmation) key and keep it pressed.
- Turn the "Modes" knob to the right.
- Release the √ (Confirmation) key.
- By turning the "Modes" control knob, you can now choose the various functions:
 - Position 1: temperature display either in °C or °F
 - Position 2: time display in 24 hours or 12 hours (am and pm)
 - Position 3: ECO plus on or off
- Set the required option by pressing the + or - key.
- Press the √ (Confirmation) key.
- To quit the options menu, turn the "Modes" control knob back up or turn the "Temperature" control knob.

4. Baking table

Cakes and biscuits	Hot air circulation	ECO	Hot air and bottom heat	Top and bottom heat	Level	Baking time
	Temp. °C	Temp. °C	Temp. °C	Temp. °C	from below	Min.
Swiss roll				210	2	7-9
Flan base				170-175	2	30-35
Fruit flan on yeast dough	165			165-175	2	40-45
Fruit flan on short-crust pastry	165	165	165	165-175	2	40-45
Small flaky pastry cakes	180	180		190	1+3/2*	15-20
Cheesecake (high)	165	165	165	165-175	2	90-100
Cheesecake slices (flat)	165	165	165	165-175	2	45-50
Sponge cake (round)	160-175	160-175		175-180	2	50-60
Loaf cake	160-175	160-175		175-180	2	50-60
Yeast dough ring cake (tall)	160-175			165-175	1	40-50
Biscuits	160-175	160-175		170-175	1+3/2*	15-20
'Hefezopf'	165			165-175	2	30-40
Cake on baking tray (dry top)	165-170	165-170		165-175	2	40-50
Cake on baking tray (moist top)	165-170	165-170	170	165-175	2	40-50
Cream puffs	180	180		180-190	1+3/2*	20-25
Mixed-grain bread**	200/170			210/170	2	40-50

* In the ECO and hot air circulation modes, you can bake simultaneously on several levels.

** Preheat the appliance to the specified temperature. Switch back to the second temperature when inserting the food.

Note: the values given above should be looked upon as recommended values. We advise you to always preheat the oven. For baking yeast dough we recommend the hot air circulation mode. The recommended mode is printed in bold.

Roasting table

Dish	Level from below	Hot air Temp. °C	Grill and hot air Temp. °C	Top and bottom heat Temp. °C	Cooking time minutes	Core temperature sensor
Beef						
Roast beef (casserole*) 1,5 kg	2	180		180	60-90	
Roast beef rare 1,5 kg**	2	230/180	230/180		45-50	45-50°C
Roast beef medium 1,5 kg**	2	230/180	230/180		60-70	55-65°C
Roast beef well-done 1,5 kg**	2	230/180			90-100	70-80°C
Pork						
Pork roast 1,5 kg**	2	230/180	230/180		60-70	75-80°C
Pork roast with rind 1,5 kg***	2	180/200	180/200		60-70	75-80°C
Smoked pork 1,5 kg**	2	180/160			40-50	65-70°C
Leg of pork***	2	150/200	150/200		50-60	80-85°C
Collared roast**	2	230/180	230/180		60-70	75-80°C
Veal						
Roast veal**	2	230/180		230/180	60-70	75-80°C
Leg of veal***	2	150/180	150/180		50-60	75°C
Loin of veal	2	160-170			20	70-75°C
Stuffed breast of veal*	2	120-130			120	75-80°C

* First brown the meat all-round in the casserole on the cooker.

** Brown the meat at a high heat level, switching back to a lower temperature after 15-20 minutes.

*** Cook the meat at a low temperature and set the temperature higher for the last 15-20 minutes.

Note: the values given above should be looked upon as recommended values. We advise you to always preheat the oven.
The recommended mode is printed in bold.

Roasting table

Dish	Level from below	Hot air Temp. °C	Grill and hot air Temp. °C	Top and bottom heat Temp. °C	Cooking time minutes	Core temperature sensor
Venison						
Roast boar (casserole*)		170-180			60-90	
Leg of venison (casserole*)		170-180			60-80	75-80°C
Saddle of venison	2	165-175		170-180	20-25	65-70°C
Leg of lamb (casserole*)		180-200			35-45	65-75°C
Poultry						
Duck 2-3 kg**	2	160/190		160/190	100-120	80-85°C
Duck breast	2	160		160	15-20	70°C
Goose 2-3 kg**	2	160/190		160/190	100-120	85-90°C
Turkey 3-4 kg**	2	160/190		160/190	120-180	85-90°C
Roast chicken	2	180	180		50-60	85°C

* First brown the meat all-round in the casserole on the cooker.

** Cook the meat at a low temperature and set the temperature higher for the last 15-20 minutes.

Note: the values given above should be looked upon as recommended values. We advise you to always preheat the oven. The recommended mode is printed in bold.

Grilling table

Dish	Level*	Pre-heat	Temp. °C	Grill minutes		Grill and hot air minutes		Total cooking time [min]
				1. side	2. side	1. side	2. side	
Sliced pork belly	3	X	180-200	6	4	5	5	
Kebab	3	X	190			8	8	
Fried sausage	3	X	200	5	4			
Merguez (grilled sausage)	3	X	200			6	6	
Roast chicken**	2		180			30	30	
Leg of chicken	3	X	180	20	20	15	15	
Spare ribs	3	X	180-200	15	15	12	12	
Leg of pork***	2	X	150/200					50-60
Trout	3	X	180-200	8	8			
Vegetable kebabs	3	X	200	7	7			
Shrimp kebab	3	X	175	7	7			
Preparing au gratin								
Toasted sandwich	3	X	190					5-7
Crème caramel****	4		250					
Crème brûlée****	4		250					
Cake with meringue****	3	X	200					

Important: only ever grill with the oven door closed.

You are advised to place the grilling tray in the lowest level to collect dripping fat.

* Level from below

** In the case of appliances featuring a rotary spit, you are advised to use the spit in the grill mode.

*** Do not turn the leg of pork. Set the temperature high for the last 15-20 minutes.

**** You should bake this dish au gratin until it has reached the level of browning you require.

Note: the values given above should be looked upon as recommended values. We advise you to always preheat the oven. The recommended mode is printed in bold.

5. Tips and tricks

Baking

What to do if ... ?	The solution !
... a cake baked in a tray is too light at the bottom?	Push the cake in deeper and remove all objects from the oven that you do not need.
... a cake baked in a form is too light at the bottom?	Do not insert the baking form in the oven on the tray, but on the grid iron.
... a cake/small cakes and pastries are too dark at the bottom?	Insert the cake/pastries at a higher level.
... a cake is too dry?	Set the oven temperature to a slightly higher value. Preheat the oven.
... a cake is too slippery or doughy on the inside or if meat is not cooked on the inside?	Set the baking or roasting temperature to a slightly lower value. Important: baking or roasting times cannot be shortened by selecting higher temperatures. It is better to choose a slightly longer baking or roasting time and to allow the dough to bake longer.
... a cake baked with hot air in a form or a rectangular form is too dark at the back?	Do not place the baking form directly in front of the rear wall of the oven, but in the middle.
... a cake sags?	Use less fluid the next time or set the oven temperature to a value that is lower by 10 degrees. Pay attention to the stirring times specified in the recipe. Do not open the oven door too soon.
... a cake has risen in the middle and is lower at the edges?	Do not grease the edge of the spring form. After baking, carefully loosen the cake with a knife.
... a cake is too dark at the top?	Push it in deeper, select a lower temperature and bake the cake for a slightly longer time.
... a cake is too dark at the bottom?	Insert it at a higher level and choose a lower temperature the next time.
... a fruit cake is too light at the bottom and the fruit juices spill over?	The next time, you are best advised to use the deeper universal pan for baking.
... a cake is too dry at the bottom?	Use a toothpick to make small holes in the finished cake. Then sprinkle fruit juice or an alcoholic beverage over it. The next time, choose a temperature that is higher by 10 degrees and shorten the baking time.
... bread or a cake looks good from the outside, but is slippery on the inside (watery stripes)?	The next time, use slightly less fluid and bake slightly longer at a lower temperature. In the case of cakes with a moist covering, first bake the base, sprinkle almonds or breadcrumbs over it and then add the covering. Pay attention to recipes and baking times.
...you have baked on several levels and your cakes on the top tray are darker than on the bottom one?	If you select a slightly lower temperature, your cakes and pastries will be browned more evenly. Trays inserted at the same time need not be ready at the same time. Allow the bottom trays to bake for 5-10 minutes longer and insert them at an appropriately earlier time.
... biscuits stick to the tray?	Briefly reinsert the tray in the oven and remove the biscuits immediately.
... a cake does not come loose when turned out?	Carefully loosen the edge with a knife. Turn out the cake again and cover the form several times with a cold wet cloth. The next time, grease the form well and additionally sprinkle breadcrumbs into it.

Roasting and grilling

... a roast has become dark and parts of the crust are burnt?	Check the insertion height and the temperature.
... a roast looks good, but the sauce is burnt?	The next time, choose a smaller roasting dish and add more fluid.
... a roast looks good, but the sauce is too light and has become watery?	The next time, choose a larger roasting dish and use less fluid.
... the table does not list a weight for the roast?	Choose the next lowest weight in the list and prolong the roasting time.

Tips for baking:

- You can use any heat-resistant dishes. Place dishes in the middle of the grid iron. You can also use the grilling tray for large roasts. After removing glass dishes, place them on a dry kitchen cloth or cooling grill. Do not place them on a cold or wet support surface. The glass could crack.
- You are advised to use dark metal baking forms. You may also use light baking forms in the hot air mode. In this case, the baking time is longer.
- The values in the cooking tables apply to the preheated oven. The temperature and duration depend on the quantity and consistency of the dough. This is why the tables list temperature ranges. You are advised to begin with the lowest temperature the first time. If required, set it higher the next time. Remember: a lower temperature ensures more even browning.
- To find out if your cake mixture has baked properly, insert a wooden stick at the highest point of the cake around 5-10 minutes before expiry of the baking time specified in the recipe. The cake is ready if dough no longer sticks to the wood.
- In the ECO mode you might notice a slightly stronger smell with certain foods (for example yeast dough). In this case it is advisable to use the normal hot air circulation mode.

Tips for roasting and grilling:

- Before serving, allow the roast to rest for 10 minutes with the oven switched off and closed. This keeps the roast juicy.
- Always grill in the closed oven. If possible, grilled pieces should be equally thick, at least 2 to 3 cm. When this is the case, they will brown evenly and will stay nice and juicy. Never grill steaks salted! Place pieces for grilling directly on the grid iron.
- Poultry becomes particularly crispy brown if you coat it with butter, salt water, dripped-off fat or orange juice.
- Even sensitive frozen food is thawed gently and fast. Place the frozen food on the grid iron and turn the "Temperature" control knob to the "Light" position. Use the grilling tray to collect the liquid from thawing.
- When roasting put a little bit of water into the grilling tray and place it one level below the grid iron. This ensures that the juices of the meat are collected and the oven stays clean.
- In the case of duck or goose, pierce the skin under the wings to allow the fat to drain off.

6. Cleaning and care

6.1 Manual cleaning

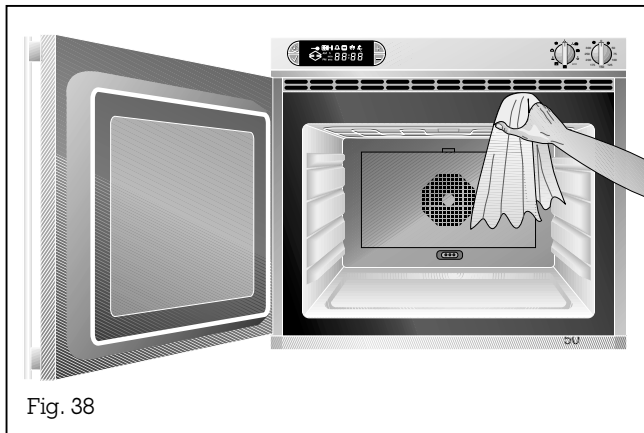


Fig. 38

Note:

Do not use high-pressure or steam jet cleaning devices to clean the appliance – risk of short-circuit occurring.

Caution, risk of burns! Wait until the oven has cooled down to be touched safely before cleaning.

Do not use any scouring cleaning agents, aggressive or nitro-polishing agents, scouring pads or other tools.

Thoroughly clean the appliance before operating it for the first time and after every use, thus avoiding the residues baking in. After residues have baked in several times, they are then difficult to remove.

Clean the oven with hot soapy water while it is still warm and leave it open to dry. Do not scrape off baked-in remainders of food. Instead, moisten them with a wet cloth and detergent.

Fruit juices from moist cakes dripping onto the oven interior can damage the enamel. Remove such soiling as soon as the oven has cooled down sufficiently.

Do not use commercially available oven sprays to clean the oven.

Clean **accessories** (baking tray, grid iron and grill pan) with hot water or detergent.

Clean the **control panel, glass surface and operator controls** with a moist cloth and mild soapy water and dry them with a soft dry cloth.

Do not use any commercially available stainless steel cleaners or highly alkali cleaners (for example oven cleaning spray) for the **control panel** as these can damage the panel and the printed symbols. Do not use any abrasive sponges either.

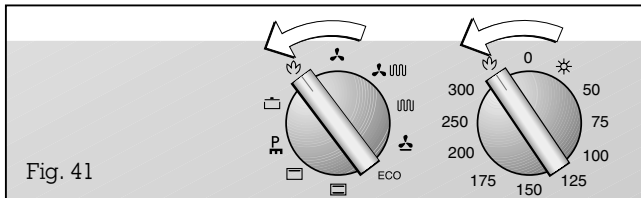
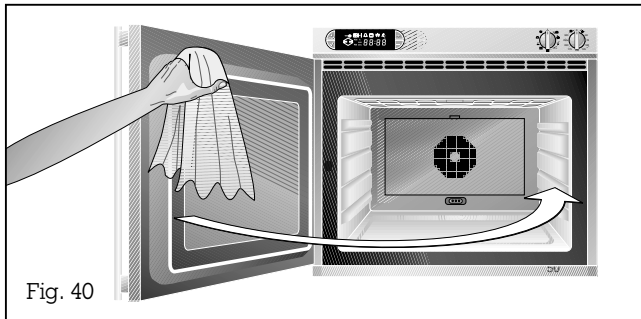
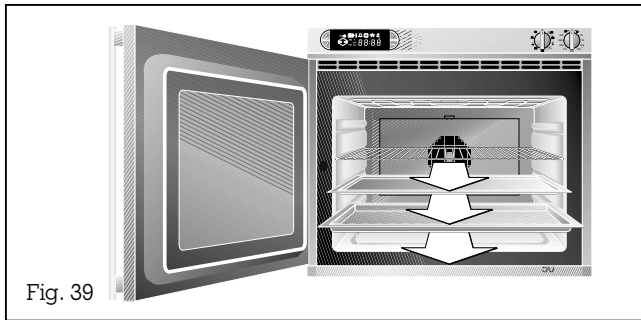
Do not use scouring agents or abrasive sponges to clean the **glass front**. Use commercially available window cleaning detergents and apply them on a soft, moist cloth or a window leather. Do not spray onto the control panel.

Cleaning the baking stone (special accessory)

Remove coarse soiling from the baking stone. Turn the baking stone round before using it again. This will ensure self-cleaning. Dough residues can then be removed using a soft brush.

Note: Do not clean the baking stone with water and detergents.

6.2 Pyrolysis (self-cleaning)



Caution!

Very high temperatures occur during the pyrolytic self-cleaning process.

Observe the appropriate caution and keep children away.

Gaggenau baking trays and grill troughs are coated with pyrolysis-proof enamel. To achieve an optimum cleaning result, you are nevertheless advised to remove all accessories from the oven before the pyrolytic cleaning process. Only this will ensure optimum heat distribution.

If you would like to remove burnt-in residues from your baking tray or your grill trough, it is important that you observe the following **safety notes**:

- Remove extreme fatty soiling, roast juice and food remainders before the pyrolytic cleaning process. This will involve a fire risk!
- Only ever insert one baking tray or one grill trough in the lowest shelf in the oven.
- Insert the baking tray or your grill trough fully.
- Do not clean the grid iron or the baking stone using the pyrolysis mode.

Before you start pyrolytic cleaning

- Remove extreme soiling from the oven!
- Remove all loose interior parts (e.g. gridiron or core temperature sensor) from the oven compartment.

Switching On:

- Remove all loose interior parts (e.g. grid iron) from the oven compartment.

There must be no objects left in the oven compartment!

- Close the oven door.
Important!
Check that the oven door is firmly closed on the oven.
- Turn the “Temperature” and “Mode” control knobs to the ♡ symbol (pyrolysis) on the left. The suggested time of 03:00 and the ♡ symbol (pyrolysis) light up on the display. The ⏪ (key) and ⏩ (duration) symbols flash.

- Press the - or + key to change the duration of the pyrolysis. You can choose between the following times: 02:00, 02:30 and 3:00.
- Press the ✓ (Confirm) key to start pyrolysis. An audible signal is sounded.
- For your safety, the oven door is locked immediately. The locking and unlocking process takes about 30 seconds. The 🔒 (door lock) symbol lights up during this time. The oven lighting goes off. On the display, the 🔒 (door lock), ⏱ (cooking time) and 🔥 (pyrolysis) symbols light up.

Do not try to open the oven door during the self-cleaning process.

Note: during the pyrolysis process, it is not possible to query the temperature value nor the time.

End of pyrolysis:

After the pyrolysis process has ended, an audible signal sounds and the ⏱ (cooking time) symbol flashes. Press any key and turn the "Temperature" control knob to the 0 position and the "Mode" knob to a position other than Pyrolysis.

Please note that, for safety reasons, the door will not be unlocked until until the oven has cooled down to 150 °C. The door lock symbol goes off.

Wait until the oven has cooled down; then, you can remove any pyrolysis residues (e.g. ash) from the oven compartment.

Ending the pyrolysis process before expiry of the entered time:

- Turn the "Temperature" control knob to the 0 position and the "Mode" control knob to a position other than Pyrolysis.
- Pay attention to the fact that the door is not unlocked until at a temperature of 150 °C or less.

Tip: wait until the appliance indicates that the pyrolysis process has ended. This ensures that you will achieve an optimum cleaning result.

Starting pyrolysis at a later time:

- Enter the required switch-off time (see Chapter 3).
- Turn the control knobs to the pyrolysis setting as described above.

Note: you can query the current pyrolysis time by pressing the ⌚ (Timer) key. You can increase the length of the pyrolytic cleaning process during operation. Press the + key to increase the value by 30 minutes in each case. Confirm the value by pressing the ✓ (confirmation) key.

In this mode of operation (auto pyrolysis), even stubborn soiling is burnt away at temperatures around 485 °C.

After the pyrolytic cleaning process, you can remove the ash easily from the oven using a moist cloth.

7. Maintenance

7.1 General

The appliance must always be disconnected from the mains when being repaired.

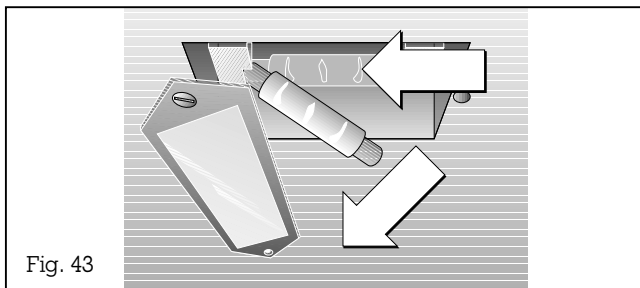
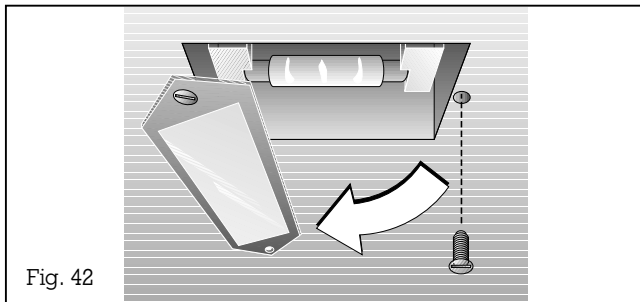
If the appliance does not function correctly, check the fuses first.

If the power supply is functioning correctly, but your appliance still does not work, please contact your dealer or your local Gaggenau customer service agency. Specify the appliance type (see rating plate).

Repairs may only be carried out by authorised electricians, in order to guarantee the safety of the appliance.

Unauthorised tampering with the appliance will invalidate any warranty claims.

7.2 Replacing the lamp



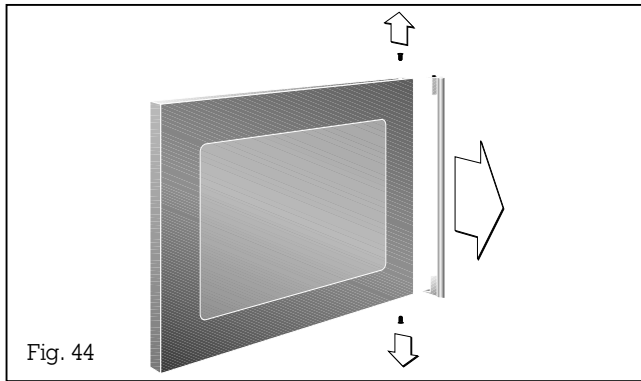
You can obtain spare lamps from Gaggenau Customer Service or a dealer. We recommend that you use these lamps only. (Order number 157312)

Proceed as follows:

- Disconnect fuses.
- Remove one of the lamp cover screws.
- Swivel the cover to the side.
- **Caution:** the lamp cover may still be hot.
- Push the lamp to the side by about 4-5 mm. The lamp can now be tilted down and removed.
- Insert the lamp in the reverse order. Swivel the cover back to its original position and screw it on. (Caution: secure the seal properly!)

Note: do not touch the halogen lamp with your hands. Use a cloth and only touch the edges of the lamp.

7.3 Disassembly of the front window



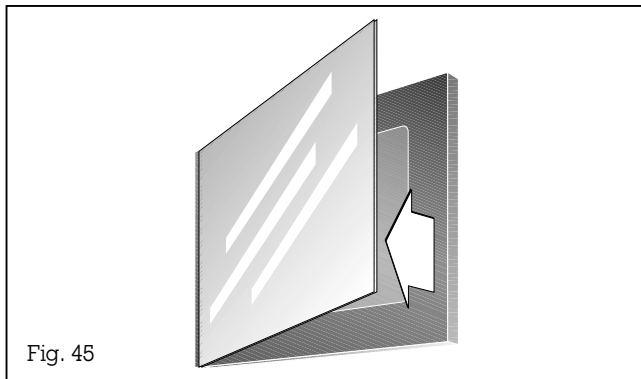
The oven door is actively ventilated. Dust and grease particles may therefore settle after some time. Detach the front window to remove this soiling.

Proceed as follows:

- Remove the bottom screw from the door handle.
- Remove the top screw from the door handle and detach the door handle.
- Hold the front window with one hand and lightly shake the door to and fro. The glass window can be removed towards you.

You can now clean the front window.

Install in the reverse order. In doing so, make sure that you first insert the window on the left hinge side and that you hold it with one hand to stop it from falling out.



GAGGENAU

GAGGENAU HAUSGERÄTE GMBH
P.O. BOX 10 02 50 · D-80076 MÜNCHEN

☎ (089) 45 90-03

FAX (089) 45 90-23 47

www.gaggenau.com

Free Manuals Download Website

<http://myh66.com>

<http://usermanuals.us>

<http://www.somanuals.com>

<http://www.4manuals.cc>

<http://www.manual-lib.com>

<http://www.404manual.com>

<http://www.luxmanual.com>

<http://aubethermostatmanual.com>

Golf course search by state

<http://golfingnear.com>

Email search by domain

<http://emailbydomain.com>

Auto manuals search

<http://auto.somanuals.com>

TV manuals search

<http://tv.somanuals.com>