



EVC 1000/30
Art. 4062

- D** **Gebrauchsanweisung**
Elektro-Vertikutierer
-
- GB** **Operating Instructions**
Electric Aerator
-
- F** **Mode d'emploi**
Scarificateur électrique
-
- NL** **Gebruiksaanwijzing**
Elektrische verticuteermachine
-
- S** **Bruksanvisning**
Elektrisk Vertikalskärare
-
- I** **Istruzioni per l'uso**
Scarificatore elettrico
-
- E** **Manual de instrucciones**
Aireador eléctrico
-
- P** **Manual de instruções**
Escarificador de relva eléctrico
-
- DK** **Brugsanvisning**
Elektrisk vertikalskærer

GARDENA Electric Aerator EVC 1000/30

Welcome to the Garden of GARDENA...



Please read these operating instructions carefully and observe the notes given. Use these instructions to familiarise yourself with the Electric Aerator, its correct use and the notes on safety.



For safety reasons, children under the age of 16 as well as persons not familiar with these operating instructions should not use this Electric Aerator.

→ Please keep these operating instructions in a safe place.

Contents

1. Where to Use Your GARDENA Electric Aerator	13
2. For Your Safety	13
3. Function	15
4. Assembly	16
5. Operation	17
6. Maintenance	17
7. Trouble-Shooting	18
8. Storing Your Electric Aerator	20
9. Accessories	20
10. Technical Data	20
11. Service	20

1. Where to Use Your GARDENA Electric Aerator

Intended use

The GARDENA Electric Aerator EVC 1000/30 is designed for aerating lawns and grassy areas in private domestic and hobby gardens. It is not designed for use in public facilities, parks, sporting grounds, on roads, in agriculture or forestry.

Compliance with these instructions provided by GARDENA is a prerequisite for using the Electric Aerator correctly.

Please note



Attention! To prevent injury, the Electric Aerator must not be used for trimming bushes, hedges and shrubs. In addition, the Electric Aerator must not be used for levelling irregularities in the soil.

2. For Your Safety

→ Please observe the notes on safety on the Electric Aerator.



Warning!
→ Read instruction handbook!



Keep bystanders away!



Danger of injury!
→ Keep sharp tines away from hands and feet.



Before maintenance, disconnect the plug from the mains!



Attention, the Aerator does not stop immediately after the motor has been turned off!

→ **Keep the mains cable away from the Aerator.**

Checks before each operation:

- Inspect the Electric Aerator before each use.
- Do not use the Electric Aerator if safety devices (starting lever; safety cover) are damaged or worn.
- Never operate the unit with the safety devices by-passed or missing.
- Note: Ensure that all nuts, bolts and screws are tight and that the Aerator is in good working order.

For safety reasons, allow all worn out and damaged parts to be exchanged by GARDENA Service or authorised specialist dealers.

- Inspect the area to be aerated before beginning work.
- Check the working area for foreign objects (e.g. stones, branches, string) and remove if necessary.

Proper use / Responsibility

The Aerator can cause serious injuries!

You are responsible for the safety of the working area.

- Only use the Electric Aerator for the purposes specified in these instructions.
- Only work when visibility is good.
- During use do not tip the unit and do not open the rear flap.
- Familiarise yourself with the surroundings of your working area. Check for possible risks which might be not audible due to the noise of the machine.
- Wear sturdy shoes and long trousers to protect your legs.



Danger of injury!

→ **Keep hands and feet away from the aerator cylinder.**

Make sure that there are no other people (especially children) or animals anywhere near the working area.

- Always push the Aerator at a walking pace.
- Ensure that you have a secure foothold when working.

Attention! Take extra care when walking backwards. You may stumble!

1. Turn off the Electric Aerator.
2. Remove the obstruction.
3. Check the Aerator for damage and have it repaired if necessary.

If you come into contact with an obstruction during aerating:

Interruptions of work

Never leave the Electric Aerator unattended at the working area.

- If you interrupt your work store the unit in a safe place. Disconnect the mains plug!
- When you interrupt work in order to go to another working area, always switch off the Electric Aerator during transport.

Pay attention to the working environment

- Never use the Electric Aerator when it is raining.
- Please observe the prescribed local quiet times.

Electrical safety

- Keep the extension cable away from the aerator cylinder!
- The connecting/extension cable must be checked regularly for damage and signs of wear and tear.
- Disconnect the mains plug immediately if the connecting/extension cable is damaged or severed.

The coupling socket for the extension cable must be waterproof for protection from water splashes or the connection sockets for extension cables must be made of rubber or be encased in rubber.

Extension cables must meet the requirements of DIN VDE 0620.

- Only use approved extension cables with an adequate cable cross-section. Ask your electrician.

Attachment fittings must be used for extension cables.

For portable units, which are used outdoors, we recommend to use a residual-current device having a residual-current rating ≤ 30 mA. In Switzerland use of a residual-current device is obligatory.

3. Function

Correct aerating:

The Aerator can be used for removing matting and moss in the lawn as well as for cutting flat-rooting ranks.

To maintain a well-cared-for lawn, we recommend aerating the lawn twice a year: in the spring and in the autumn.

- First of all, mow your lawn to the length you require.

We particularly recommend this if the grass has grown tall (e.g. while you were away on holiday).

Recommendation: the shorter you mow your lawn, the easier it is to aerate, thus lessening the strain on the Aerator and increasing the lifetime of the aerator cylinder.

Remaining in one spot too long, or aerating if the ground is wet or too dry can damage the grass.

- For good results, guide the Aerator at an appropriate speed in strips as straight as possible across your lawn.

To avoid leaving any gaps during aerating, the strips should touch.

- Always guide the Aerator at an even speed depending on the type of ground.
- When working on inclines always stand diagonally to the incline in a sturdy, safe stance. Do not work on extremely steep slopes.

Danger of tripping!

To prevent tripping take particular care when moving backwards and when pulling the Aerator.

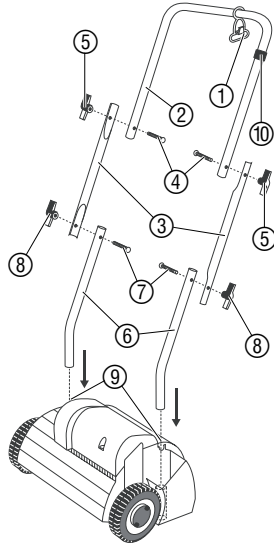
- When turning the Aerator, always turn the cable strain relief device on the handle to the side you are working on.
This makes it considerably easier to guide the cable.

When aerating areas of very mossy lawn we recommend re-sowing the lawn after aerating. This helps the areas of lawn which were replaced by moss to regenerate more quickly.

When in operation, the mains cable must always be guided in the direction you are working at the side of the area you are aerating. Always work away from the mains cable.

4. Assembly

Assembling the handle:



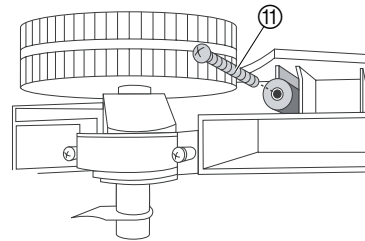
1. Slide cable strain relief device ① onto the upper handle ②.
2. Insert bolts ④ from the inside through the holes in the upper handle ② and join the upper handle ② to the middle part of the handle ③ using the wing nuts ⑤.

When joining the middle part of the handle to the lower handle, ensure that the fold on the lower handle ⑥ is correctly aligned (see Fig.).

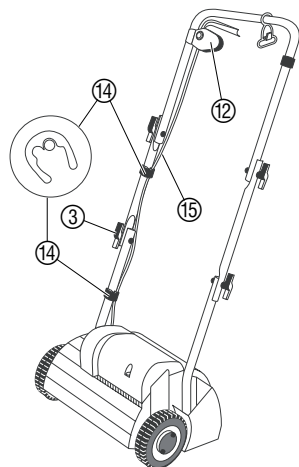
3. Insert bolts ⑦ from the inside through the holes in the lower handle ⑥ and join the lower handle ⑥ to the middle part of the handle ③ using the wing nuts ⑧.
The handle is now assembled.

4. Insert the assembled handle into the holes ⑨ in the motor housing so that the recess ⑩ is on the left side (in the direction of motion) (see Fig.).

5. On the underside of the housing, bolt the lower handle to the motor housing using the bolts ⑪.

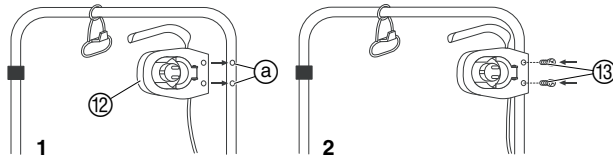


Assembling starting switch:



! → Do not place the connecting cable under strain during assembly.

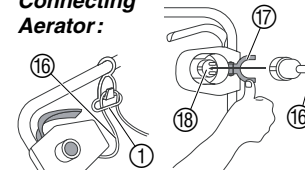
1. Place starting switch ⑫ over the holes ③ on the handle.
The connecting cable ⑮ is fed along the handle.



2. Bolt the starting switch ⑫ to the upper handle using the bolts ⑬.
3. Using the two cable clips ⑭, attach the connecting cable ⑮ to the right of the handle ③ from the inside.
The Aerator is now fully assembled.

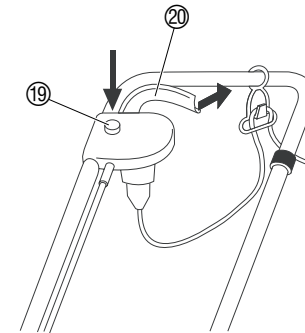
5. Operation

Connecting Aerator:



1. Insert a loop of the extension cable ⑯ into the cable strain relief device ①. *In this way inadvertent disconnection of the lead is prevented.*
2. Open cable retaining fork ⑰ and insert the coupling of the extension cable ⑯ into the plug ⑱ from below.
3. Plug extension cable ⑯ into mains socket.

Starting Aerator:



Danger of injury if the Aerator does not switch off automatically!

→ Do not remove or bridge safety devices fitted to the Aerator (e.g. by tying the starting lever to the upper handle)!

! **Warning! The Aerator does not stop immediately after the motor has been switched off:**

→ Never lift, tip or carry the Aerator with the motor running!

→ Never start on solid ground (e.g. asphalt).

→ Always maintain the safety distance between the aerator cylinder and the user as defined by the guide handle.

1. Place Aerator on flat grass surface.
2. Keep safety interlock ⑲ pressed down and pull starting lever ⑳ on the upper handle. *The Aerator starts.*
3. Release safety interlock ⑲.

Blockage Protection: If the aerator cylinder is blocked, e.g. by a foreign body, immediately release the starting lever. If the blockage lasts longer than 10 seconds and the starting lever has not been released, blockage protection is activated. In this case immediately release the starting lever. The Aerator can be switched on again after cooling down for approx. 1 minute.

! **Danger of injury!**
If blockage protection is activated and the starting lever is not released, the Aerator starts again automatically after approx. 1 minute.

6. Maintenance

! **The aerator cylinder can cause injuries!**
→ Prior to maintenance, unplug from the mains and wait until the Aerator drum has stopped.
→ Wear working gloves for performing maintenance.

The Aerator should be cleaned after each time it is used.

! **Risk of injury and physical damage!**
→ Do not clean Aerator under running water (particularly under high pressure).
→ Do not use hard or pointed objects for cleaning the Aerator.

1. Remove grass and deposits from wheels, aerator cylinder and housing.
2. Remove dirt from air inlets on the housing.

Adjusting for wear:

The Aerator is subject to wear in use due to the way in which it works. The more intensively the Aerator is used, the greater the wear on the knives. Hard or very dry ground accelerates wear as does excessive use of the Aerator.

If the results of your work with the Aerator become increasingly worse due to knife wear, the aerator cylinder can be adjusted twice.

Note: Wear adjustment is not used for height adjustment. Adjustment of the aerator cylinder without visible wear can cause damage to the aerator cylinder or overload the motor.

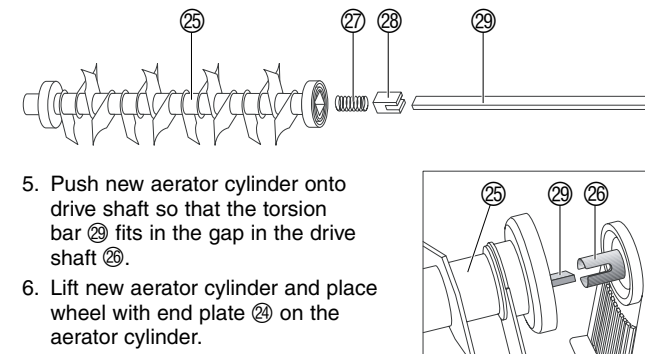
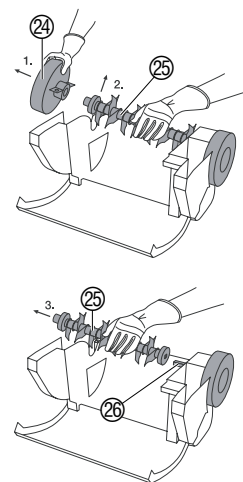
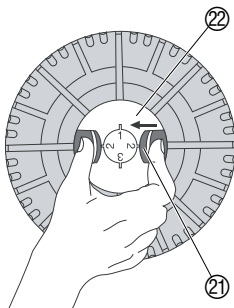
The aerator cylinder has 3 adjustment positions:

- **Position 1:** Position set at the factory
- **Position 2:** First adjustment position after knife wear (aerator cylinder lowered by 3 mm)
- **Position 3:** Second adjustment position after knife wear (aerator cylinder lowered by a further 3 mm)

The openings for the retainers on the wheels must be free of dirt.

1. Press retaining spring 21 together and pull out the adjustment unit 22 approx. 6 mm.
The wheel is no longer fixed to the axle.
2. Turn adjustment unit 22 90° to the next highest position.
3. Press the centre of the adjustment unit 22 until the retaining spring 21 audibly snaps into the new position.
The wheel is now fixed to the axle in the new position.
4. Adjust the wheel on the other side to the same position.

Both wheels must always be in the same position.



5. Push new aerator cylinder onto drive shaft so that the torsion bar 29 fits in the gap in the drive shaft 26.
6. Lift new aerator cylinder and place wheel with end plate 24 on the aerator cylinder.
7. Lower wheel with end plate 24 onto the underside of the housing and, during this process, ensure that the parts are not placed under stress.
8. Bolt wheel with end plate 24 to the underside of the housing using bolts 23 without over tightening the bolts.
9. Set to wear adjustment position 1 (see 6. Maintenance "Adjusting for wear").

7. Trouble-Shooting



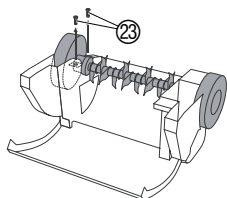
The aerator cylinder can cause injuries !

- Prior to rectifying faults, unplug from the mains and wait until the aerator cylinder has stopped.
- Wear working gloves when rectifying faults.

Replacing aerator cylinder:

If the aerator cylinder is in wear adjustment position 3 and is worn, the aerator cylinder must be replaced. It is only permitted to use original GARDENA aerator cylinders.

- **GARDENA Aerator Cylinder for Art. No. 4062**
1. Undo bolts 23 on the underside of the housing.
 2. Lift wheel with end plate 24 and remove from aerator cylinder 25.
 3. Lift aerator cylinder 25 at an angle and pull off from bar of the drive shaft 26.
 4. Push new spring 27, new stop, 28 and new torsion bar 29 into new aerator cylinder 25.



Problem

Possible Cause

Remedy

**Abnormal noise.
Clattering in the unit**

Foreign bodies on the aerator cylinder are hitting the Aerator.

1. Switch off the Aerator, remove the mains plug from the socket and wait until the Aerator has stopped rotating.
2. Remove foreign bodies.

Whistling sound

Foreign bodies blocking the aerator cylinder.

→ Contact GARDENA Service.

Motor will not start

Faulty cable.

→ Check cable.

The conductor cross-section of the extension cable is possibly too low.

→ Contact your electrician.

Motor cuts out because blocking protection has been activated

Blocked by foreign bodies.

1. Switch off the motor, remove the mains plug from the socket and wait until the Aerator has stopped rotating.
2. Remove foreign bodies.
3. After approx. 1 minute switch on the Aerator.

Aerating depth too large (aerator cylinder has been adjusted for wear without wear to the knives).

1. Leave motor to cool down.
2. Set adjustment for wear correctly.

The grass is too tall.

→ Mow the lawn before aerating (see 3. Function "Correct Aerating").

Aerating results are not satisfactory

Aerator cylinder is worn.

→ Adjust aerator cylinder (see Maintenance).

Cog-belt faulty.

→ Allow GARDENA Service to change the cog-belt.

Problem	Possible Cause	Remedy
Aerating results are not satisfactory	Lawn has grown too tall.	→ Mow the lawn before using the Aerator.
Aerator cylinder no longer turns.	Overload protection (torsion bar) is overturned.	→ Replace aerator cylinder.

If you have any problem with your Electric Aerator, please contact our Customer Service.

8. Storing Your Electric Aerator

Storage:	→ Store the Aerator in a dry, closed room to which children cannot gain access.
Transport:	→ Switch off motor, unplug from the mains and wait until the aerator cylinder stops. The Aerator is to be lifted to move it across delicate surfaces, e.g. tiles.

9. Accessories

Collecting bag for Electric Aerator EVC 1000/30 • Art. No. 4065

10. Technical Data

Motor power consumption	1,000 W
Mains voltage	230 V
Mains frequency	50/60 Hz
Working speed of the aerator cylinder	2,250 r.p.m.
Aerating width	30 cm
Wear adjustments	3 x 3 mm
Working area related emission characteristic value $L_{pA}^{1)}$	78 dB (A)
Working area related noise level $L_{WA}^{2)}$	95 dB (A)
Vibrations $a_{vhw}^{1)}$	≤ 2.5 m/s ²

Measuring method according to 1) EN 60335-1 2) Directive 2000/14/EC

11. Service

Warranty

GARDENA guarantees this product for 2 years (starting from the date of purchase). This guarantee covers all serious defects of the unit that can be proved to be material or manufacturing faults. Under warranty we will either replace the unit or repair it free of charge if the following conditions apply:

- The unit must have been handled properly and in keeping with the requirements of the operating instructions.

- Neither the purchaser or a non-authorised third party have attempted to repair the unit.

The aerator cylinder is a wearing part and is not covered by the guarantee.

This manufacturer's guarantee does not affect the user's existing warranty claims against the dealer/seller.

If a fault occurs with your Electric Aerator, please return the faulty unit together with a copy of the receipt and a description of the fault, with postage paid to one of the GARDENA Service Centres listed on the back of these operating instructions.

We expressly point out that, in accordance with the product liability law, we are not liable for any damage caused by our units if it is due to improper repair or if parts exchanged are not original GARDENA parts or parts approved by us, and, if the repairs were not carried out by a GARDENA Service Centre or an authorised specialist. The same applies to spare parts and accessories.

Product Liability

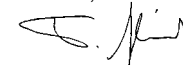
EU Certificate of Conformity

The undersigned GARDENA Kress + Kastner GmbH · Hans-Lorenser-Str. 40 · D-89079 Ulm hereby certifies that, when leaving our factory, the unit indicated below is in accordance with the harmonised EU guidelines, EU standards of safety and product specific standards. This certificate becomes void if the unit is modified without our approval.

Description of the unit: Electric Aerator
Type: EVC 1000/30
Art. No.: 4062
EU directives: Machinery Directive 98/37/EC
 Electromagnetic Compatibility 89/336/EC
 Low Voltage Directive 73/23/EC
 Directive 93/68/EC
 Directive 2000/14/EC

Harmonised European standards: EN 292-1
 EN 292-2
 EN 60335-1
 prEN 60335-2-77
Noise level: measured: 95 dB (A)
 guaranteed: 96 dB (A)
Year of CE marking: 2000

Ulm, 05.05.2000



Thomas Heintl
 Technical Dept. Manager

Deutschland

GARDENA Kress + Kastner GmbH
GARDENA Service
Hans-Lorensen-Straße 40
D-89079 Ulm
Produktfragen: (07 31) 490-123
Reparaturen: (07 31) 490-290

Argentina

Argensem S.A.
Venezuela 1075
(1618) El Talar - Buenos Aires

Australia

NYLEX Corporation Ltd.
25-29 Nepean Highway
P.O. Box 68
Mentone, Victoria 3194

Austria

GARDENA Österreich Ges. m.b.H.
Stettnerweg 11-15
2100 Korneuburg

Belgium

MARKT (Belgium) NV/SA
Sterrebeekstraat 163
1930 Zaventem

Brazil

M. Cassab
Av. das Nações Unidas, 20.882
Santo Amaro, CEP 04795-000
São Paulo - S.P.

Bulgaria / България

ДЕНЕКС ООД
Бул. "Г.М.Димитров" 16 ет.4
София 1797

Canada

GARDENA Canada Ltd.
100, Summerlea Road
Brampton, Ontario
Canada L6T 4X3

Chile

Antonio Martinic Y CIA. LTDA.
Gilberto Fuenzalida 185 Loc.
Las Condes - Santiago de Chile

Costa Rica

Compania Exim
Euroiberioamericana S.A.
350 Sur del Automercado
Los Yoses
San Pedro

Cyprus

FARMOKIPIKI LTD
P.O. Box 7098
74, Digeni Akritia Ave.
1641 Nicosia

Czech Republic

GARDENA spol. s.r.o.
Řípská 20a, č.p. 1153
62700 Brno

Denmark

GARDENA Danmark A/S
Naverland 8
2600 Glostrup

Finland

Habitec Oy
Martinkyläntie 52
01720 Vantaa

France

GARDENA France
Service Après-Vente
BP 50080
95948 ROISSY CDG Cedex

Great Britain

GARDENA UK Ltd.
27-28 Brenkley Way
Blezard Business Park
Seaton Burn
Newcastle upon Tyne
NE13 6DS

Greece

Agrokip G. Psomadopoulos & Co.
20, Lykourgou str.
Kallithea - Athens

Hungary

GARDENA Magyarország Kft.
Késmárk utca 22
1158 Budapest

Iceland

Heimilistaeki hf
Saetun 8
P.O. Box 5340
125 Reykjavik

Republic of Ireland

Michael McLoughlin & Sons
Hardware Limited
Long Mile Road
Dublin 12

Italy

GARDENA Italia S.r.l.
Via Donizetti 22
20020 Lainate (Mi)

Japan

KAKUDAI Mfg. Co. Ltd.
1-4-4, Itachibori Nishi-ku
Osaka 550

Luxembourg

Magasins Jules Neuberg
Grand Rue 30
Case Postale No. 12
Luxembourg 2010

Netherlands

GARDENA Nederland B.V.
Postbus 50176
1305 AD ALMERE

Neth. Antilles

Jonka Enterprises N.V.
Sta. Rosa Weg 196
P.O. Box 8200
Curaçao

New Zealand

NYLEX New Zealand Limited
Private Bag 94001
South Auckland Mail Centre
10 Offenhauser Drive
East Tamaki, Manukau

Norway

GARDENA Norge A/S
Postboks 214
2013 Skjetten

Poland

GARDENA Polska Sp. z o.o.
Szymanów 9 d
05-532 Baniocha

Portugal

MARKT (Portugal), Lda.
Recta da Granja do Marquês
Edif. GARDENA
Algueirão
2725-596 Mem Martins

Russia / Россия

АО АМИДА ТТЦ
ул. Мосфильмовская 66
117330 Москва

Singapore

Variware
Holland Road Shopping Centre
227-A 1st Fl., Unit 29
Holland Avenue
Singapore 1027

Slovenia / Croatia

Silk d.o.o. Trgovina
Brodišče 15
1236 Trzin

South Africa

GARDENA South Africa (Pty.) Ltd.
P.O. Box 11534
Vorna Valley 1686

Spain

ANMI Andreu y Miriam S.A.
Calle Pere IV, 111
08018 Barcelona

Sweden

GARDENA Svenska AB
Box 9003
20039 Malmö

Switzerland

GARDENA Kress + Kastner AG
Bitziberg 1
8184 Vachenbülach

Ukraine / Украина

АОЗТ АЛЬЦЕСТ
ул. Гайдара 50
г. Киев 01033

Turkey

Dost Diş Ticaret Müessillik A.Ş.
Yeşilbağlar Mah. Başkent
Cad. No. 26
Pendik - İstanbul

USA

GARDENA
3085 Shawnee Drive
Winchester, VA 22604

4062-20.960.04/0021
GARDENA Kress + Kastner GmbH
Postfach 27 47, D-89070 Ulm
<http://www.gardena.com>

Free Manuals Download Website

<http://myh66.com>

<http://usermanuals.us>

<http://www.somanuals.com>

<http://www.4manuals.cc>

<http://www.manual-lib.com>

<http://www.404manual.com>

<http://www.luxmanual.com>

<http://aubethermostatmanual.com>

Golf course search by state

<http://golfingnear.com>

Email search by domain

<http://emailbydomain.com>

Auto manuals search

<http://auto.somanuals.com>

TV manuals search

<http://tv.somanuals.com>