



**MASTER HALF SIZE
ELECTRIC CONVECTION OVEN**

models **MCO-E-5-C, MCO-E-25-C**

from **SERIAL# 1106230000001 (01-JUNE-11)**

PARTS LIST

Toll Free Phone, (US & Canada): (800) 427-6668

Toll Free Fax, (US & Canada): (800) 361-7745

<http://www.garland-group.com>



**MASTER HALF SIZE
ELECTRIC CONVECTION OVEN**

models **MCO-E-5-C, MCO-E-25-C**

from **SERIAL# 1106230000001 (01-JUNE-11)**

Contents

Introduction / Model & Serial# Interpretation / Rating Plate Location	4
Oven Components	6
Side Partition Assembly	10
Master 200 Control Panel & Components	12
Elements & Components	14
Door Assembly	16
Equipment Stand with Optional Rack Guides and Racks	18
Critical & Recommended Stock Parts List	20
List of Harnesses & Wiring Diagram Part Numbers	20
Related Bulletins	21
Revision History	21

Introduction

You have purchased the finest commercial cooking equipment available.

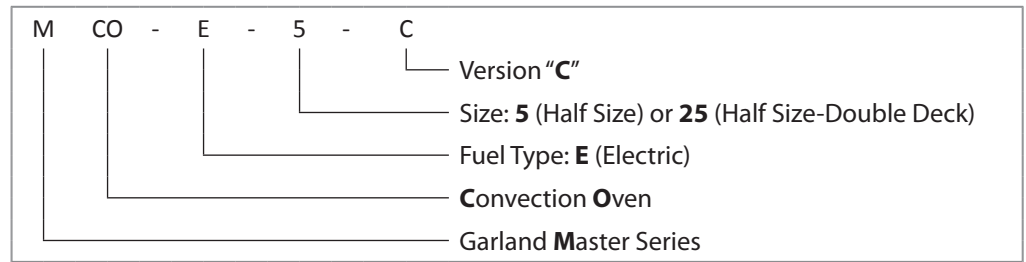
Like any other fine, precision built equipment, the Master Electric Oven should be given regular care and maintained using Garland Original Equipment Manufacture (OEM) Parts.

This parts list is updated regularly. Please find the most current revision on our website @ www.garland-group.com

Model Code Interpretation

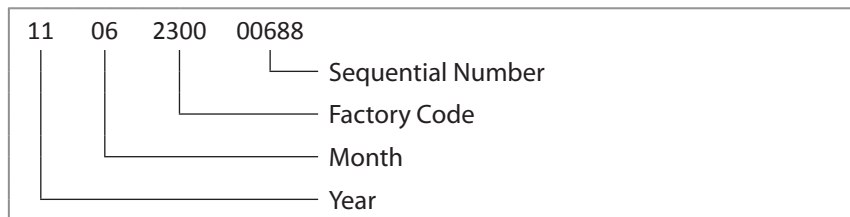
MCO Half Size Models:

- **MCO-E-5-C**
- **MCO-E-25-C**

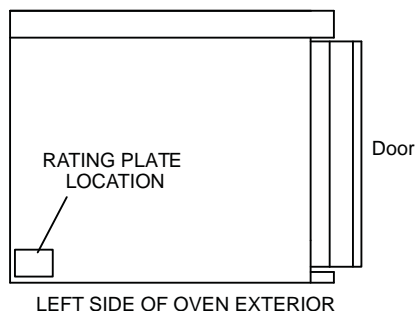


Serial# Interpretation

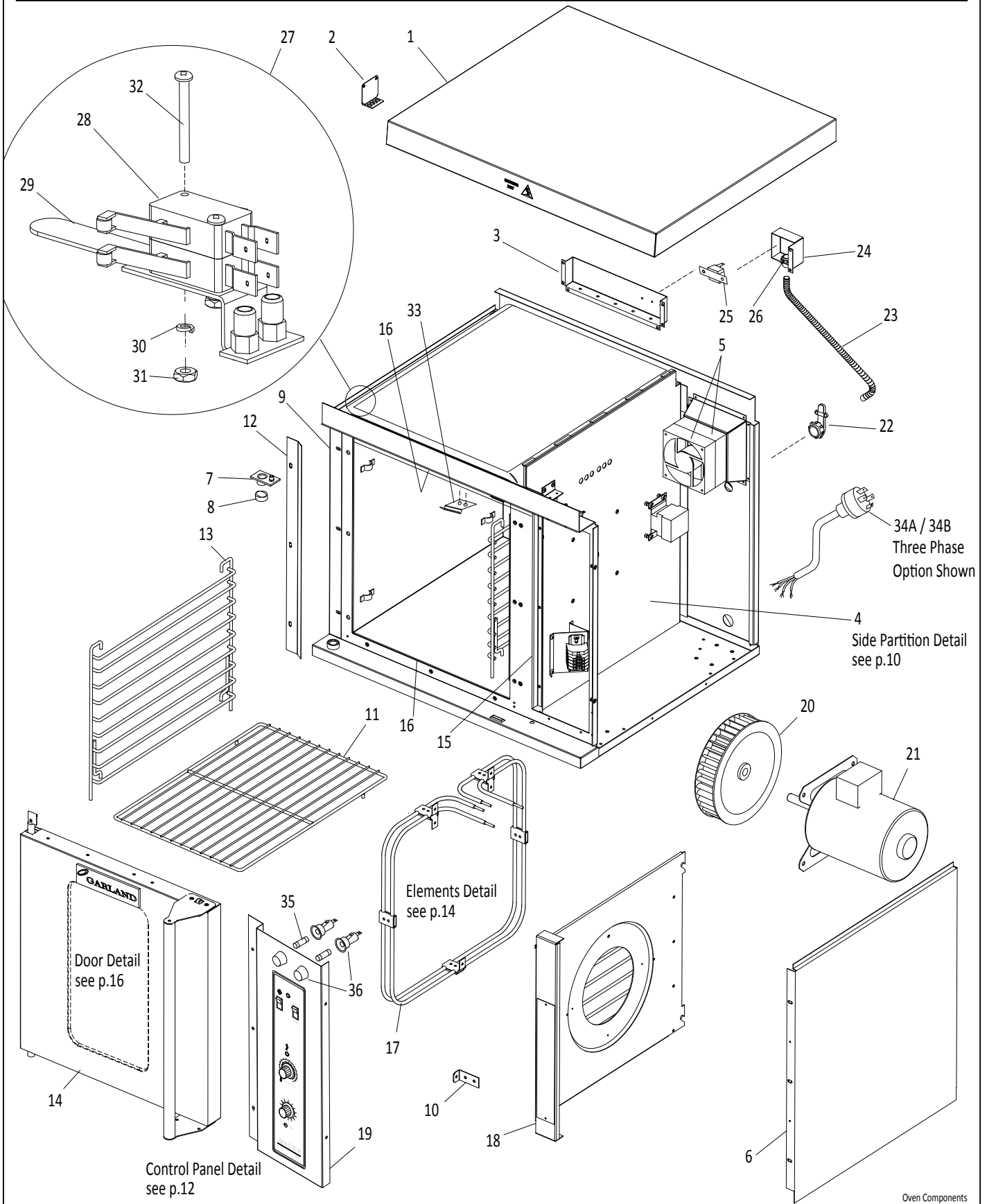
The Serial Number is **13 Digits** long.



Rating Plate Location



OVEN COMPONENTS



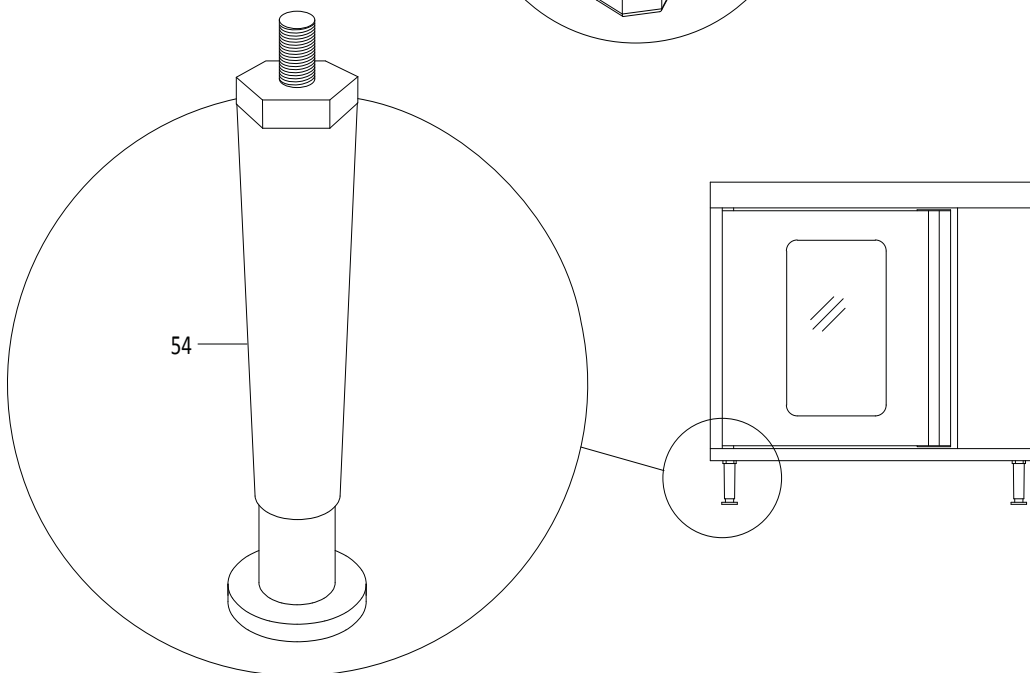
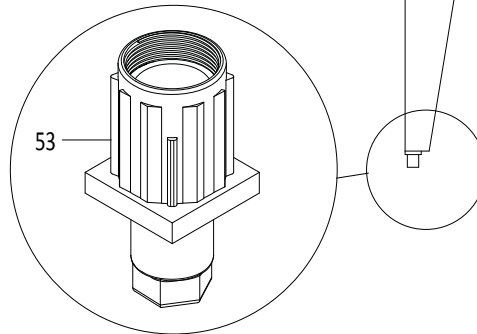
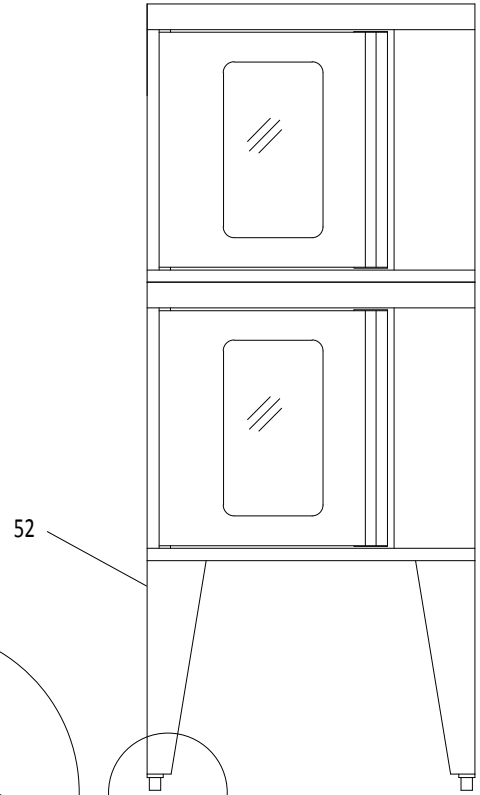
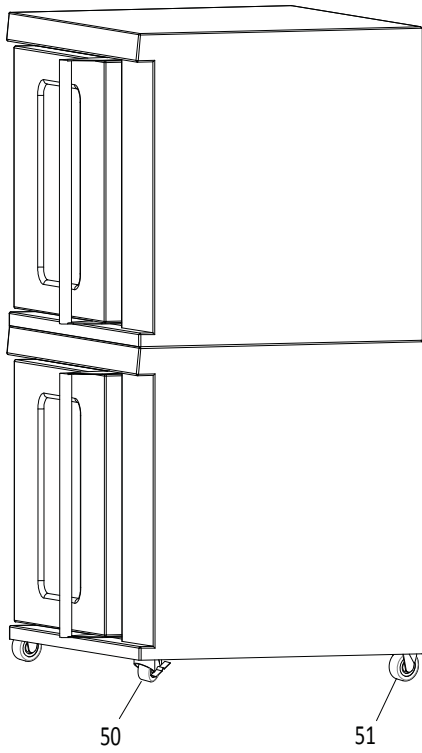
GARLAND PARTS IDENTIFICATION
MASTER HALF SIZE ELECTRIC CONVECTION OVEN (MCO-E-5-C, MCO-E-25-C)

OVEN COMPONENTS

ITEM	PART #	DESCRIPTION	QTY	Critical
1	1960901	Main Top	1	
2	1960902	Cover - Micro Switch Access	1	
3	1960502	Flue Box MCOE5	1	
4		Side Partition Assembly Note: For components detail, see "Side Partition Assembly", p. 10.	1	
5	1671101	Fan - 110MM, 208/240V	2	C
6	1951402	Body Side - Control, Right Side	1	
7	CK1385497	Hinge Bracket Assembly	2	
8	1011201	Steel Tubing Chrome Spacer	2	
9	1951401	Body Side - Oven	1	
10	1960709	Baffle Mounting Bracket	2	
11	1766001	Oven Rack	5	
12	1966503	Door Seal - Hinge Side, MCOE5	1	
13	1766002	Rack Guide	2	
14		Door Assembly (with or without Window) - MCO-E-5-C Note: For components detail, see "Door Assembly", p. 16	1	
15	1966501	Door Seal RT Silicon	1	C
16	1966502	Door Seal Top/Bottom Silicon	2	C
17		Element - Inner, Outer, and Center (Optional) Note: For components detail, see "Elements & Components", p. 14.	1	
18	1960797	Baffle Assembly	1	
19		IM200 Control Assembly - MCO-E-5-C Note: For components detail, see "Master 200 Control Assembly & Components", p. 12.	1	
20	CK4519657	Blower Wheel Assembly (includes 1765704 Blower Wheel)	1	
21	1951502	Motor - 208/240V 1/3HP 5/8 Shaft 2 Speed	1	C
22	1028500	BX Connector - 3/8" 90 deg	1	
23	1960504	BX Cable - 15 3/8"	1	
24	1960503	High Limit Cover	1	
25	4520416	High Limit - 135 deg F	1	C
26	1028501	BX Connector - 3/8" Straight	1	
27	113547	15 Amp Micro-Switch (Door Switch) Assembly Note: Assembly includes items 28 - 32.	1	
28	9006402	15 Amp Mini Snap Hi-Temp Switch	2	C
29	1962106	Micro-Switch Bracket	1	
30	8000210	Split Lock Washer - #4 x 13/64 x .04	2	
31	8001201	Hex Nut - #4 - 40	2	
32	8003222	Machine Screw - #4 - 40 x 1-1/2" Philip Head	2	
33	1750501	Door Catch	1	C

* **NOT ILLUSTRATED**
RECOMMENDED STOCK PARTS

OVEN COMPONENTS (continued)



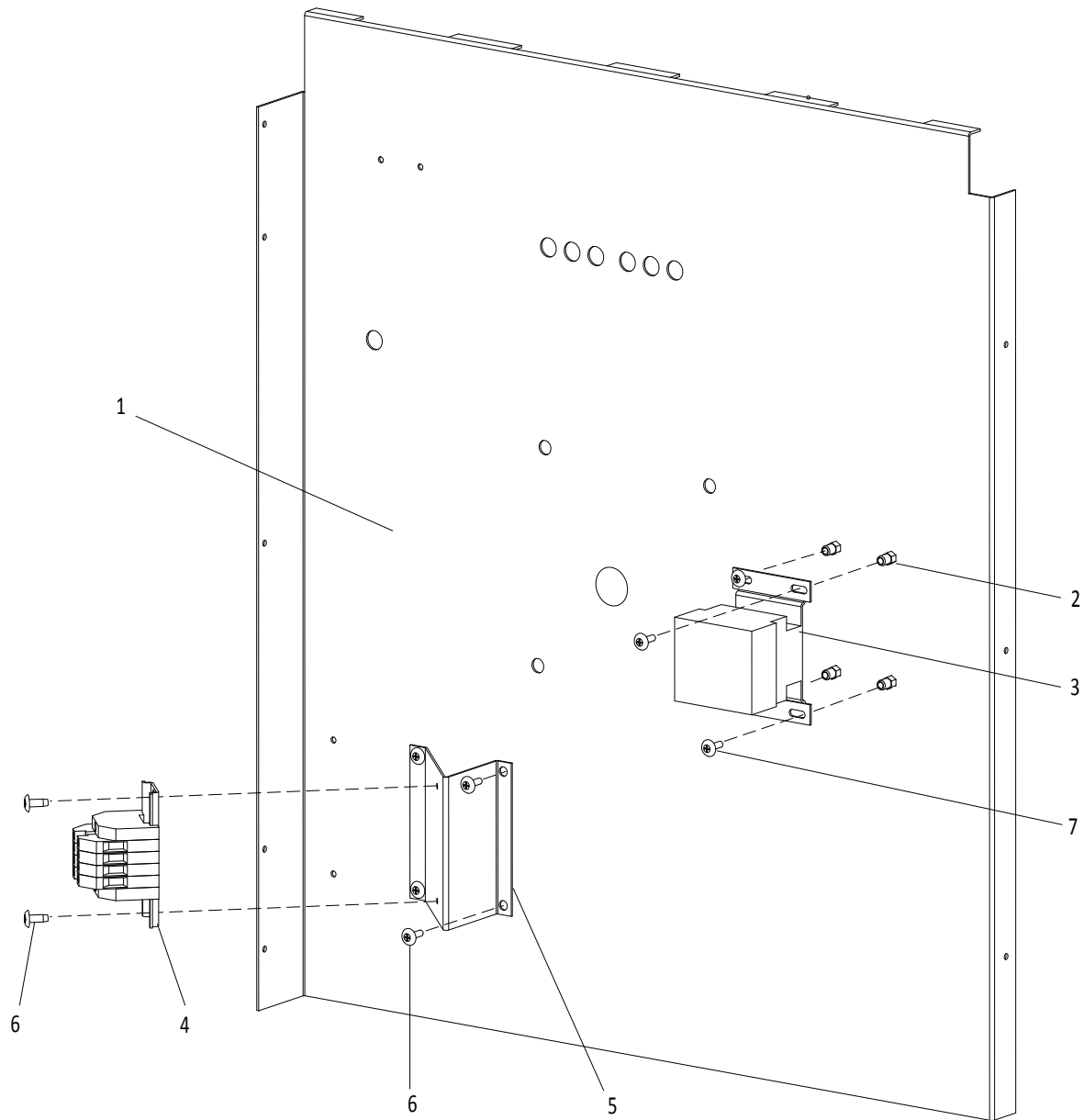
GARLAND PARTS IDENTIFICATION
MASTER HALF SIZE ELECTRIC CONVECTION OVEN (MCO-E-5-C, MCO-E-25-C)

OVEN COMPONENTS

ITEM	PART #	DESCRIPTION	QTY	Critical
Three Phase Option:				
34A	4512340	Three Phase Cord Set Note: Includes a plug, a receptable, an 8' cord, and a BX connector.	1	
	CK4529043	Three Phase Cord Set - 208/240V 30A Pin & Sleeve Note: Includes an 8' cord, a plug, a cord connector and a lock nut.	1	
Single Phase Option:				
34B*	4512339	Single Phase Cord Set Note: Includes a plug, a receptable, an 8' cord, and a BX connector.	1	
	4520534A	Single Phase Twist-Lock Cord and Plug Set Note: Includes an 8' cord and a plug.	1	
35	4513157	Fuse (600V / 10A)	2	C
36	1774101	Fuse Holder	2	C
LEGS AND CASTERS				
50	1027801	Caster, Swivel, with Wheel Lock	2	
51	1027800	Caster, Swivel, without Wheel Lock	2	
52	1927199	Legs, 21 1/4" (540mm), S/S	4	
53	1236100	Foot Insert, Square	4	
54	06158	Leg, 4", Adjustable, Flange Foot, Threaded Stud Mount, S/S	4	

* NOT ILLUSTRATED
RECOMMENDED STOCK PARTS

SIDE PARTITION ASSEMBLY



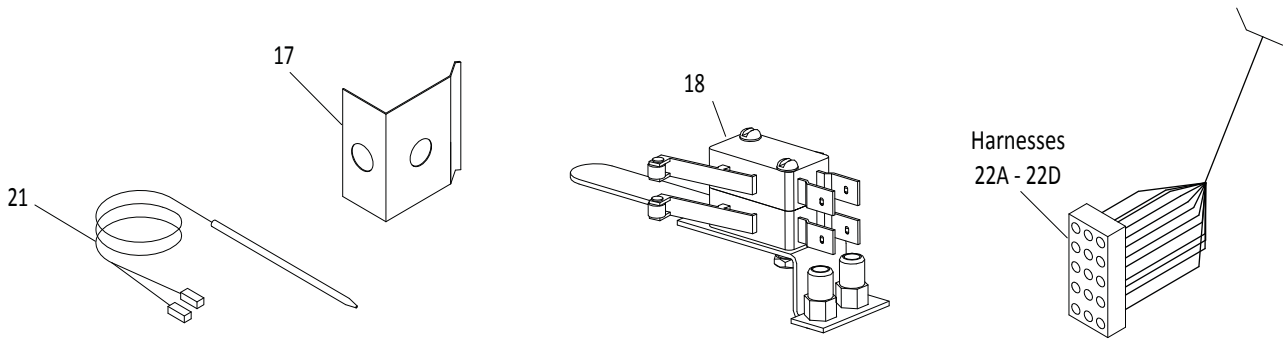
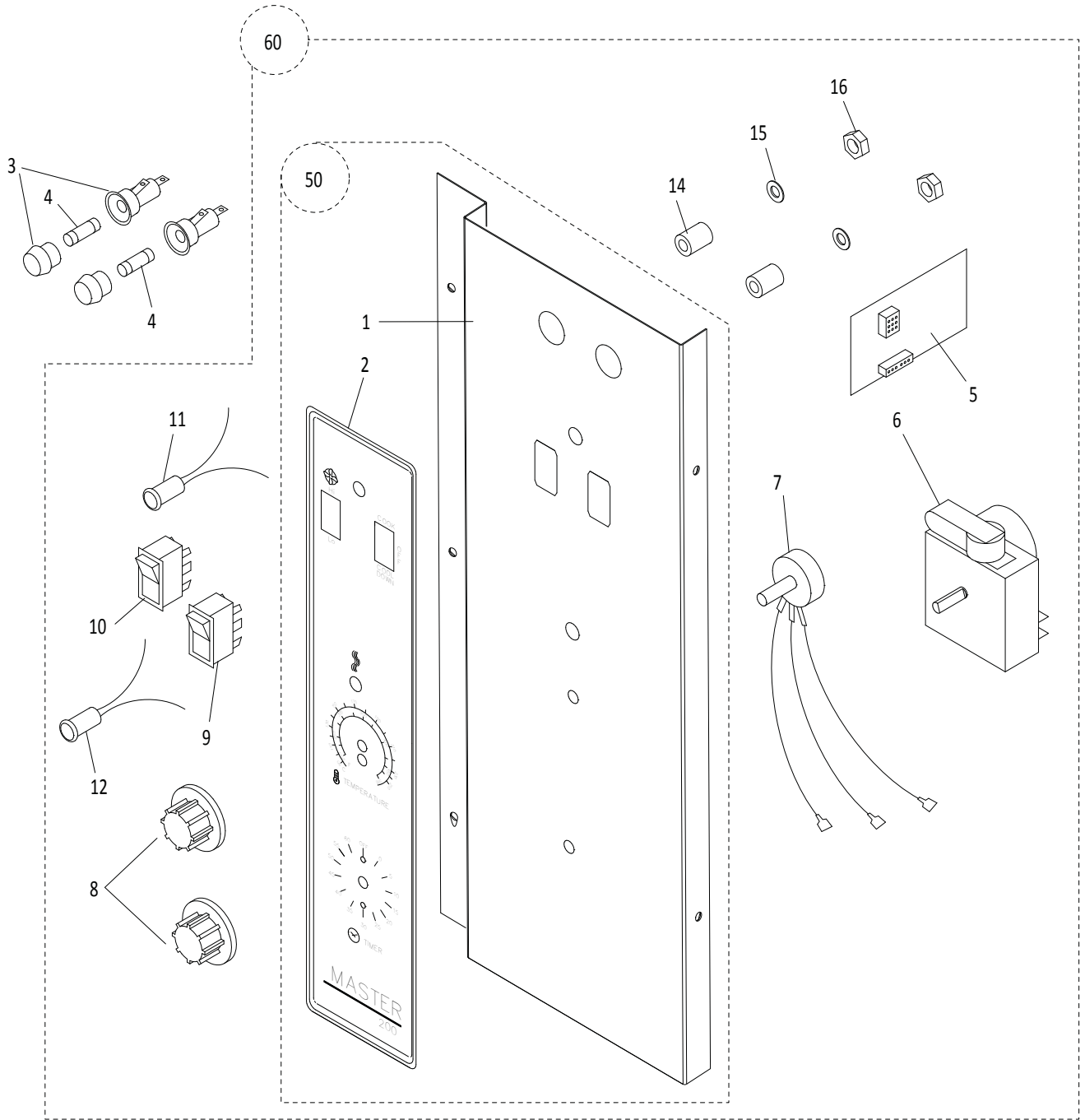
GARLAND PARTS IDENTIFICATION
MASTER HALF SIZE ELECTRIC CONVECTION OVEN (MCO-E-5-C, MCO-E-25-C)

SIDE PARTITION ASSEMBLY

ITEM	PART #	DESCRIPTION	QTY	Critical
1	1961101	Partition Side	1	
2	F600	#10-24 Threaded Hex Insert	4	
3	1637002	Contactor 240V Coil	1	C
4	4516982	Terminal Block 4 Lug	1	
5	1962208	Bracket, Terminal Block	1	
6	8002107	#10 x 1/2" Truss, Pan Head	4	
7	8003123	#10-24 x 5/8" Truss, Pan Head	4	
8*	300825	Contactor Harness - from Terminal Block to Contactor	1	

* **NOT ILLUSTRATED**
RECOMMENDED STOCK PARTS

MASTER 200 CONTROL PANEL & COMPONENTS



IM200 Control - MCO-E-5-C

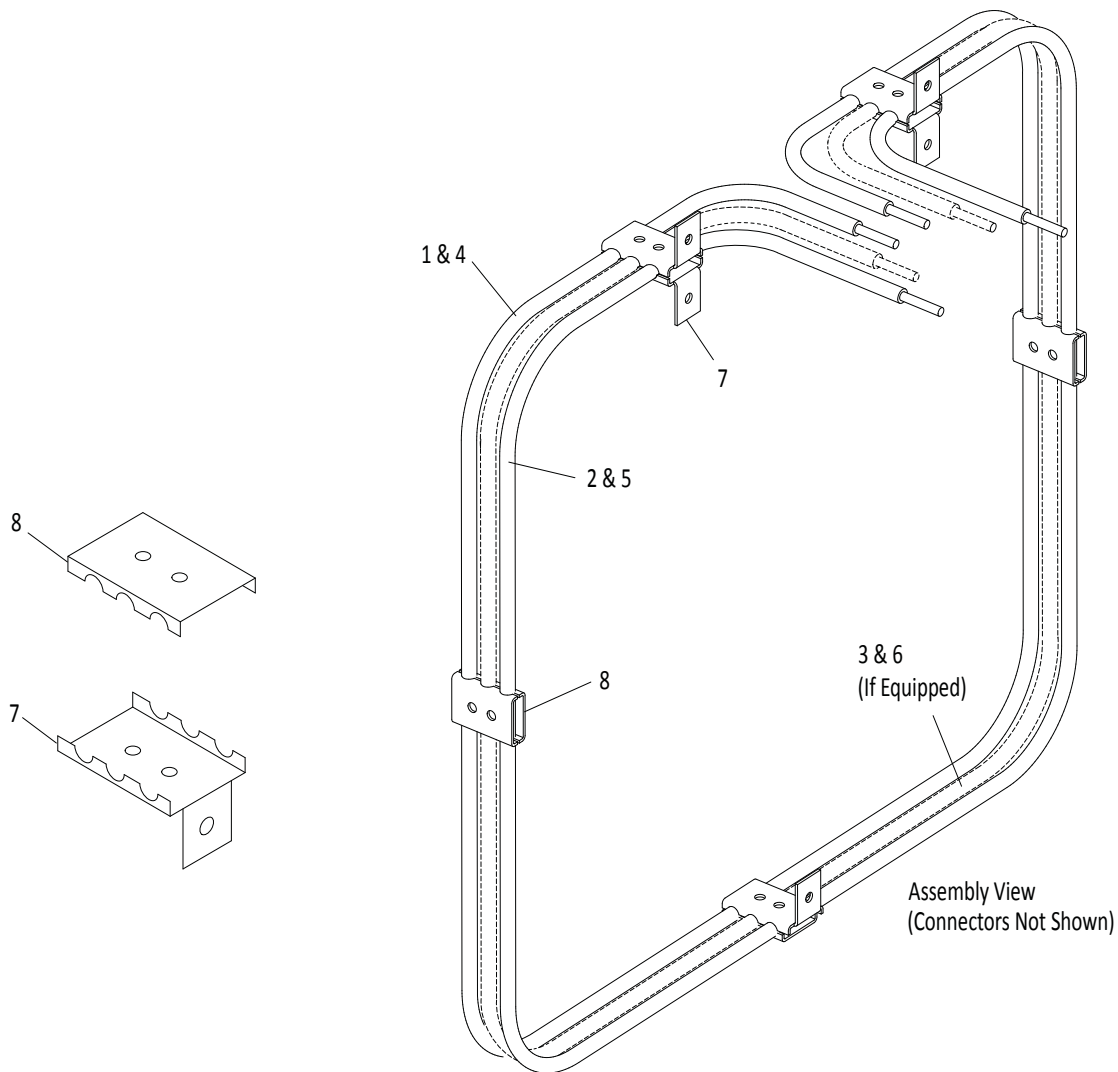
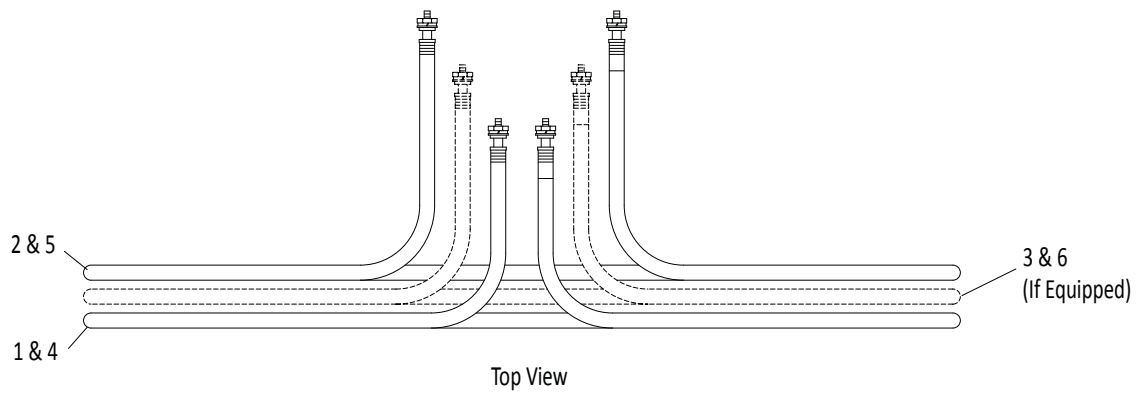
GARLAND PARTS IDENTIFICATION
MASTER HALF SIZE ELECTRIC CONVECTION OVEN (MCO-E-5-C, MCO-E-25-C)

MASTER 200 CONTROL PANEL & COMPONENTS

ITEM	PART #	DESCRIPTION	QTY	Critical
1	113527	Control Panel, MCO-E-5-C IM200	1	
2	1908528	Overlay, MCO 200 WO/Light	1	
3	1774101	Fuse Holder 600V 30A HPG	2	C
4	4513157	Fuse - 10 Amp 600V Time Delay	2	C
5	1955501	Power Control Board - IM200, 150-500 deg F	1	C
6	1956002	Timer, 1 HR, 208/240V with Alarm	1	C
7	1955601	Potentiometer - IM200, 150-500 deg	1	C
8	1765802	Knob, Fluted, with Two Set Screws	2	
9	1955401	Switch, Rocker ON-OFF-ON	1	C
10	1955402	Switch, Rocker ON-ON	1	C
11	G01296-3	Indicator Lamp, Green, 250V	1	C
12	1936104	Indicator Lamp, Amber, 250V	1	C
14	1955701	Nylon Standoff 1/4 x 1/2 x 1	2	
15	1955801	Teflon Washer 7/16 OD	2	
16	8001502	Nut with Lockwasher 6-32 KEP	2	
17	1768701	Probe Holder	1	
18	113547	15 Amp Micro-Switch (Door Switch) Assembly Note: For assembly components detail, see "Oven Components" p. 6-7.	1	
21	9006800	RTD Temperature Sensor	1	C
22A	1804741	Harness - Control Panel	1	
22B	1804747	Door Switch (Micro-Switch) Harness - from Door Switch to Control Panel	1	
22C	1949589	Main Wiring Harness - from Control Panel Harness to Motor, Terminal Block, Contactor	1	
22D	300827	Wiring Harness Kit Note: Kit includes Items# 22A, 22B, 22C, the Contactor Harness (part# 300825, see "Side Partition Assembly" p.10), a jumper assembly, and an extension/adaptor harness.	1	
23*	300823	Wiring Diagram, MCO-E-5-C IM200 208/240V 60Hz 2SP		
24*	260BGL	Installation and Operation Manual		
50	113567	Control Panel with Overlay - IM200 Note: Includes items 1 and 2.	1	
60	113569	IM200 CONTROL ASSEMBLY - MCO-E-5-C Note: Includes Items 1, 2, 5 - 12, 14 - 16	1	

* NOT ILLUSTRATED
RECOMMENDED STOCK PARTS

ELEMENTS & COMPONENTS



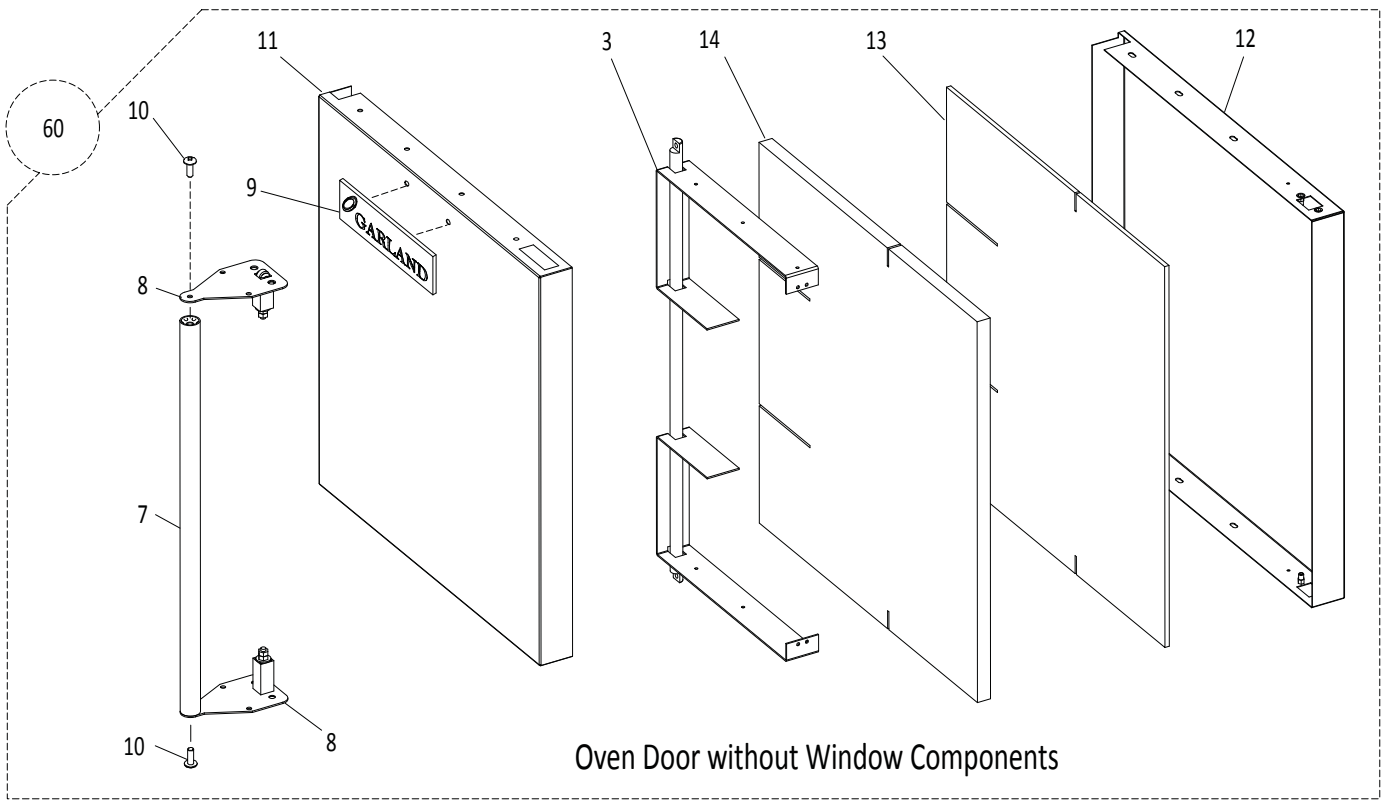
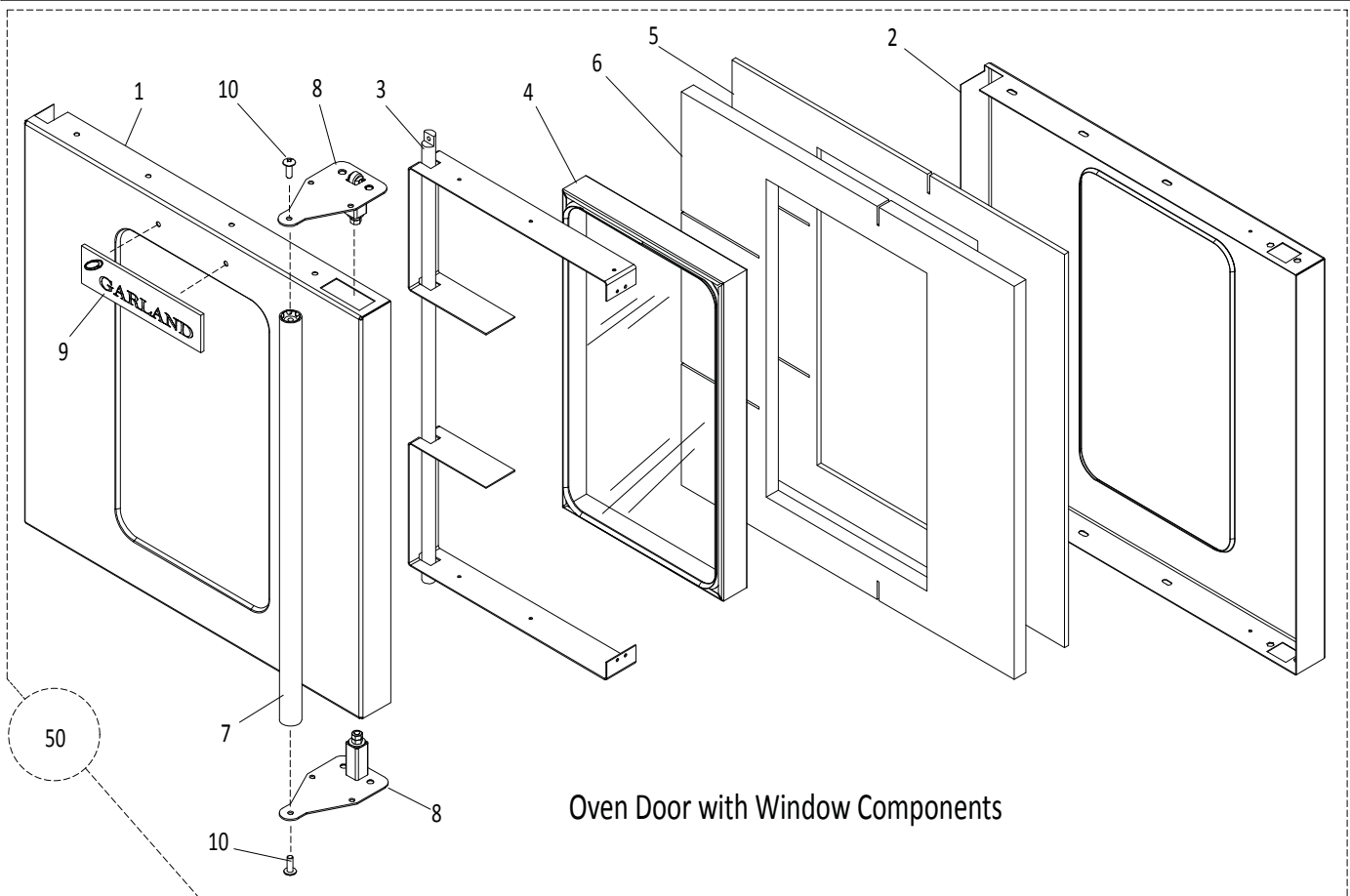
GARLAND PARTS IDENTIFICATION
MASTER HALF SIZE ELECTRIC CONVECTION OVEN (MCO-E-5-C, MCO-E-25-C)

ELEMENTS & COMPONENTS

ITEM	PART #	DESCRIPTION	QTY	Critical
1	1765101	Element Inner 208V 2500W 60Hz 5.0 & 7.5kW	1	C
2	1765102	Element Outer 208V 2500W 60Hz 5.0 & 7.5kW	1	C
3	1765111	Element Center 208V 2500W 60Hz 7.5kW ONLY Note: This is an Optional Feature.	1	C
4	1765109	Element Inner 240V 2500W 60Hz 5.0 & 7.5kW	1	C
5	1765110	Element Outer 240V 2500W 60Hz 5.0 & 7.5kW	1	C
6	1765112	Element Center 240V 2500W 60Hz 7.5kW ONLY Note: This is an Optional Feature.	1	C
7	1765105	Element Holder with Flange	5	
8	1765106	Element Holder without Flange	5	
9*	300826	Element Harness - from Contactor to Elements on 5.0kW MCO-E-5-C Models	1	
10*	300842	Element Harness - from Contactor to Elements on 7.5kW MCO-E-5-C Models	1	

* **NOT ILLUSTRATED**
RECOMMENDED STOCK PARTS

DOOR ASSEMBLY



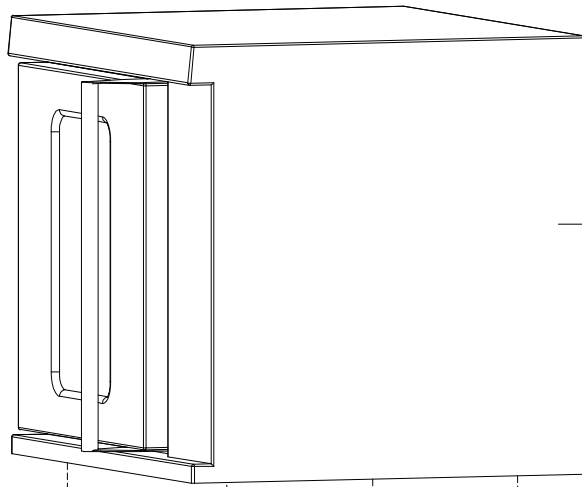
Door Components

GARLAND PARTS IDENTIFICATION
MASTER HALF SIZE ELECTRIC CONVECTION OVEN (MCO-E-5-C, MCO-E-25-C)

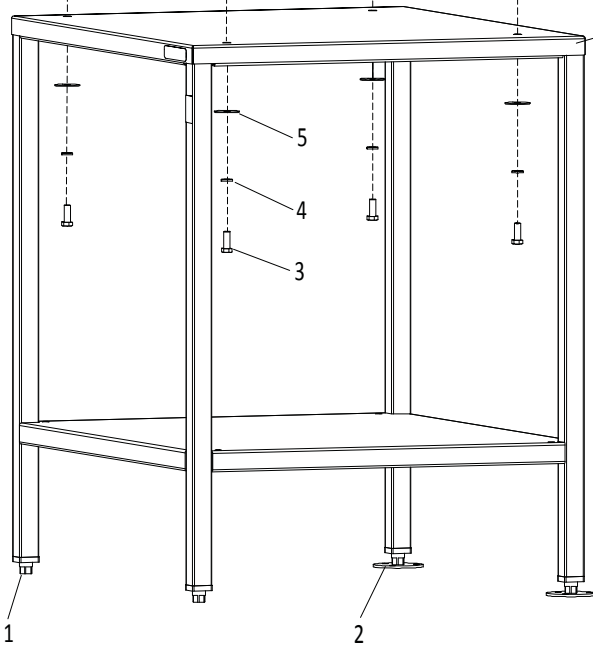
DOOR ASSEMBLY

ITEM	PART #	DESCRIPTION	QTY	Critical
1	113540	Door Panel with Window	1	
2	1962122	Door Liner with Window	1	
3	CK1962198	Door Frame Assembly	1	
4	1010999	Door Window (3/16" Glass)	1	
5	113428	Insulation - ATD T5000	1	
6	113429	Insulation - Fiberglass	1	
7	CK1952098	Handle - Half Size Convection Oven	1	
8	CK1952096	Handle End Latch Assembly	2	C
9	3077100	Name-plate	1	
10	8003142	Screw - 1/4-20 x 3/4"	2	
11	113679	Door Panel, Solid	1	
12	CK1962197	Door Liner, Solid	1	
13	1961906	Insulation - ATD T5000	1	
14	1961907	Insulation - Fiberglass	1	
50	113539	DOOR with WINDOW ASSEMBLY - MCO-E-5-C Note: Assembly includes items# 1 to 10.	1	
60	113680	SOLID DOOR ASSEMBLY - MCO-E-5-C Note: Assembly includes items# 11 - 14, 7 - 10.	1	

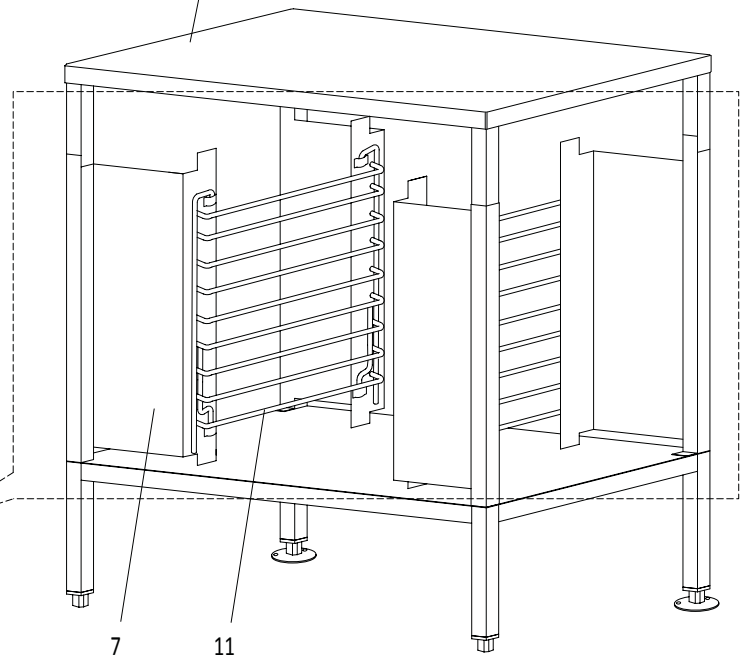
* **NOT ILLUSTRATED**
RECOMMENDED STOCK PARTS



Oven
Shown for Reference



Equipment Stand -
(Optional Feature,
Shown for Reference)



GARLAND PARTS IDENTIFICATION
MASTER HALF SIZE ELECTRIC CONVECTION OVEN (MCO-E-5-C, MCO-E-25-C)
EQUIPMENT STAND with OPTIONAL RACK GUIDES & RACKS

ITEM	PART #	DESCRIPTION	QTY	Critical
1	100241	Foot, Adjustable, 1 1/4" Square Tube	2	
2	100413	Foot, Adjustable, Anchorable	2	
3	19134	Screw, 3/8-16 x 1", HH, SST	4	
4	WR50167	Washer, Lock, 3/8, SST	4	
5	107220	Washer, Fender, 13/32 ID x 1 1/2 OD, SST	4	
6*	260BGI	Mounting Instructions - MCO-E-5-C To Stand	1	
7	113566	Rack Supports	4	
8*	108644	Screw, Carriage, 1/4-20 x 1/2", SST	4	
9*	23105	Washer, Lock, 1/4", SST	4	
10*	14618	Nut, Hex, 1/4-20, SST	4	
11	1766002	Oven Rack Guide, Left/Right	2	
12*	260BGH	Installation Instructions - Rack Support Kit	1	
50	113580	Rack Support Kit Note: Kit includes items 7 - 12.	1	

* **NOT ILLUSTRATED**
RECOMMENDED STOCK PARTS

GARLAND PARTS IDENTIFICATION CRITICAL & RECOMMENDED STOCK PARTS LIST

PART #	DESCRIPTION	CRITICAL
1010999	Door Window (3/16" Glass)	R
1637002	Contactora 240V Coil	C
1671101	Fan - 110MM, 208/240V	C
1765101	Element Inner 208V 2500W 60Hz 5.0 & 7.5kW	C
1765102	Element Outer 208V 2500W 60Hz 5.0 & 7.5kW	C
1765109	Element Inner 240V 2500W 60Hz 5.0 or 7.5kW	C
1765110	Element Outer 208V 2500W 60Hz 5.0 & 7.5kW	C
1765111	Element Center 208V 2500W 60Hz 7.5kW Only	C
1765112	Element Center 240V 2500W 60Hz 7.5kW Only	C
1765802	Knob, Fluted, with Two Set Screws	R
1774101	Fuse Holder 600V 30A HPG	C
G01296-3	Indicator Lamp, Green, 250V	C
1936104	Indicator Lamp, Amber, 250V	C
1951502	Motor 208/240V 1/3HP 5/8 Shaft	C
CK1952096	Handle End Latch Assembly	C
1955401	Switch, Rocker ON-OFF-ON	C
1955402	Switch, Rocker ON-ON	C
1955501	Power Control Board - IM200, 150-500 DEG F	C
1955601	Potentiometer - IM200 150-500 DEG	C
1956002	Timer, 1 HR, 208/240V with Alarm	C
1750501	Door Catch	C
1966501	Door Seal RT Silicon	C
1966502	Door Seal Top/Bottom Silicon	C
4513157	Fuse - 10 Amp 600V Time Delay	C
4520416	Hight Limit 135 Degree F	C
9006402	Switch-Mini Snap Hi-Temp 15 Amp	C
9006800	RTD - Temperature Probe	C

C = CRITICAL PARTS

R = RECOMMENDED STOCK PARTS

LIST OF HARNESES & WIRING DIAGRAM

PART #	DESCRIPTION
300826	Element Harness - from Contactor to Elements on 5.0kW MCO-E-5-C Models
300842	Element Harness - from Contactor to Elements on 7.5kW MCO-E-5-C Models
1804741	Harness - Control Panel
1804747	Door Switch (Micro-Switch) Harness - from Door Switch to Control Panel
1949589	Main Wiring Harness - from Control Panel Harness to Motor / Terminal Block / Contactor
300825	Contactor Harness - from Terminal Block to Contactor
300827	Wiring Harness Kit Note: Kit includes parts 1804741, 1804747, 1949589, 300825, a jumper assembly, and an extention/ adapter harness.
300823	Wiring Diagram MCO-E-5-C - IM200 208/240V 60Hz 2SP

GARLAND PARTS IDENTIFICATION

RELATED BULLETINS

BULLETIN #	SUBJECT	DATE
-	-	-

REVISION HISTORY

REV	PAGE	ITEM#	NOTES	DATE
0			New Product Parts List Released	Aug-2011



Free Manuals Download Website

<http://myh66.com>

<http://usermanuals.us>

<http://www.somanuals.com>

<http://www.4manuals.cc>

<http://www.manual-lib.com>

<http://www.404manual.com>

<http://www.luxmanual.com>

<http://aubethermostatmanual.com>

Golf course search by state

<http://golfingnear.com>

Email search by domain

<http://emailbydomain.com>

Auto manuals search

<http://auto.somanuals.com>

TV manuals search

<http://tv.somanuals.com>