



Master Series Griddle Range Attachment

Item: _____
 Quantity: _____
 Project: _____
 Approval: _____
 Date: _____

Master Series Griddle Range Attachment

Models:

- M12S-7 M12T-7

12" Range Attachment With Valve Controlled Griddle



*Model M12S-7
 (Shown With M12-LPBG
 Low Profile Backguard)*

Standard Features:

- Stainless steel front and sides
- Stainless steel door
- 6" (152mm) chrome steel adjustable legs
- 1" (25.5mm) thick Steel griddle plate with 22,000 BTU, (6.44 kW), "H" type burner
- 2-5/16" (59mm) high welded stainless steel splash guards, sides & back
- Clip on stainless steel backsplash
- Removable stainless steel grease drawer
- Hi-Low valve control
- Aluminized steel under all cooking surfaces
- Storage base interior of aluminized steel

Optional Features:

- Grooved griddle option available
- Stainless steel main back
- End caps and cover (NC, Specify)

- Stainless steel common front rail up to 102" (2591mm) wide (two or more units in a battery)
- Gas regulator 3/4" or 1-1/4"
- Gas shut off valve; 3/4", 1" or 1-1/4" NPT
- Gas flex hose & quick disconnect (3/4", 1" or 1-1/4" NPT x 5") w/ restraining device, please specify
- Set of (4) Polyurethane non-marking swivel casters w/front brakes
- 6" (152mm) stainless steel adjustable legs
- Set of four deck fasteners (stainless steel flanged feet)
- Storage base shelf of aluminized or stainless steel
- Dais base, (S model w/o legs)
- Stainless steel tubular high shelf, single or double deck
- Stainless steel backguard: 10" (354mm), 17" (432mm) or 33" (838mm) H

Specifications:

The 1" (25mm) thick steel griddle plate is 12" wide x 24-3/4" deep, (305mm x 629mm) and bordered by side and rear continuous-welded stainless steel splash guards. The 22,000 BTU, (6.44 kW), "H" burner controlled by a Hi-Lo valve provides uniform heat. Heavy gauge aluminized steel radiation baffle requires no fire brick, heats evenly, increases thermal efficiency. Natural or propane gas. Also available with modular top, Model M12T-7. **Free standing units only available with flanged feet deck fasteners to anchor unit.**



NOTE: Attachments supplied with casters must be installed with an approved restraining device.

Garland Commercial Ranges Ltd.
 1177 Kamato Road,
 Mississauga, Ontario
 L4W 1X4 CANADA

General Inquires 1-905-624-0260
 USA Sales, Parts and Service 1-800-424-2411
 Canadian Sales 1-888-442-7526
 Canada or USA Parts/Service 1-800-427-6668



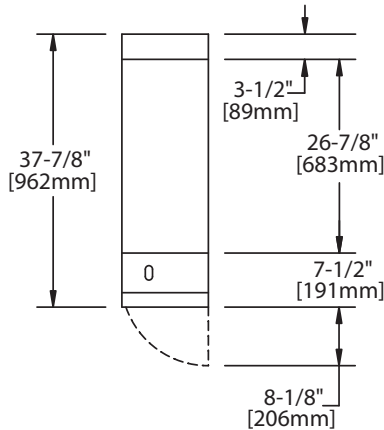
Product	Width	Depth	Height (w/ NSF Legs)	Height (w/o NSF Legs)	Shipping	
					Cu Ft	Wt: (Lb/Kg)
M12S-7	12" (306mm)	38" (965mm)	36-1/4" (924mm)	30-1/2" (777mm)	16	190/86
M12T-7	12" (306mm)	38" (965mm)	NA	9-1/2" (241mm) *	6	110/50

*Modular top has 1-1/2" seating flanges.

INPUT SPECIFICATIONS	M12S-7	M12T-7
Input	22,000 BTU (6.44 kW)	22,000 BTU (6.44 kW)
Inlet/Manifold Size	1-1/4" NPT	1-1/4" NPT

S=Modular Top Attachment w /storage base, T=Modular Top w/o storage base

INSTALLATION NOTES		
Combustible Wall Clearances ¹	Entry Clearances	Manifold Operating Pressure
Sides: 11" (280mm) Back: 6" (152mm)	Crated: 22 1/4" (438mm) Uncrated: 12-1/4" (311mm)	Natural: 6" WC (15mbar) Propane: 10" WC (25mbar)

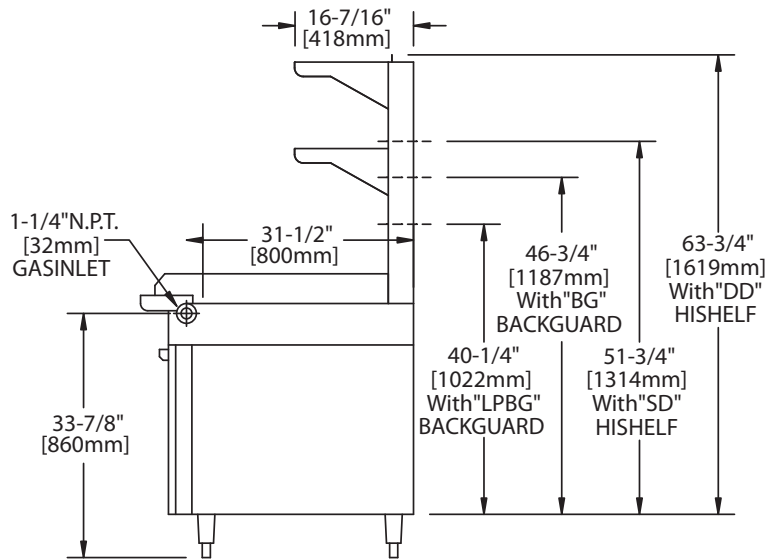
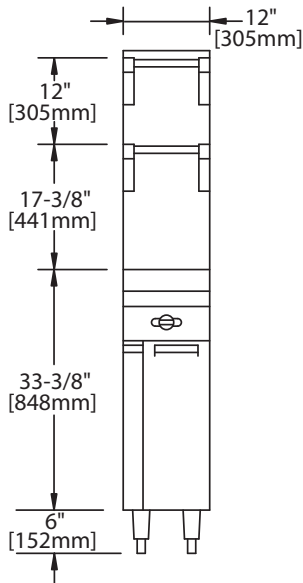


¹NOTE: Installation clearance reductions are applicable only where local codes permit.

Data applies only to North America

Gas input ratings shown here are for installations up to 2,000 ft. (610m) above sea level. Specify altitudes over 2,000 ft. Please specify gas type when ordering.

Garland/U.S. Range products are not approved or authorized for home or residential use, but are intended for commercial applications only. Garland / U.S. Range will not provide service, warranty, maintenance or support of any kind other than in commercial applications



Form# M12S-7 (04/09/13)

Free Manuals Download Website

<http://myh66.com>

<http://usermanuals.us>

<http://www.somanuals.com>

<http://www.4manuals.cc>

<http://www.manual-lib.com>

<http://www.404manual.com>

<http://www.luxmanual.com>

<http://aubethermostatmanual.com>

Golf course search by state

<http://golfingnear.com>

Email search by domain

<http://emailbydomain.com>

Auto manuals search

<http://auto.somanuals.com>

TV manuals search

<http://tv.somanuals.com>