



Item: \_\_\_\_\_  
 Quantity: \_\_\_\_\_  
 Project: \_\_\_\_\_  
 Approval: \_\_\_\_\_  
 Date: \_\_\_\_\_

# Regal Series Snap Action Thermostat Control Griddle

### Models:

- RG TSA-2424-1       RG TSA-2436-1       RG TSA-2448-1



RG TSA-2448-1

### Standard Features:

- Stainless steel front, sides and landing ledge
- 24" (610mm) - 72" (1829mm) wide
- 14 Gauge splash guard
- Built-in front grease trough
- Large capacity, removable grease container
- Aluminized steel burners, one every 12" (305mm)
- 24,000 BTU/hr per burner
- Snap action thermostat control
- 110V cord/plug provided

- Temperature range 100°F - 450°F (32°C - 232°C)
- 1" (25mm) thick steel griddle plate
- 4" (102mm) legs with adjustable feet
- 3/4" rear gas connection w/ regulator
- One year parts and labor warranty

### Optional Features:

- Stainless steel equipment stand with intermediate shelf
- Swivel casters on stand

### Specification:

Shall be U.S. Range Regal Snap Thermostat Control Griddle. Model \_\_\_\_\_ with a total BTU/hr rating of \_\_\_\_\_ when used with natural or propane gas. Finish is to be stainless steel front and sides.



Garland Commercial Industries, LLC  
 185 East South Street  
 Freeland, PA 18224  
 Phone: (570) 636-1000  
 Fax: (570) 636-3903

Garland Commercial Ranges Ltd  
 1177 Kamato Road,  
 Mississauga, Ontario  
 L4W 1X4 CANADA  
 Phone: 905-624-0260  
 Fax: 905-624-5669

Enodis UK LTD  
 Swallowfield Way,  
 Hayes, Middlesex  
 UB3 1DQ ENGLAND  
 Telephone: 081-561-0433  
 Fax: 081-848-0041



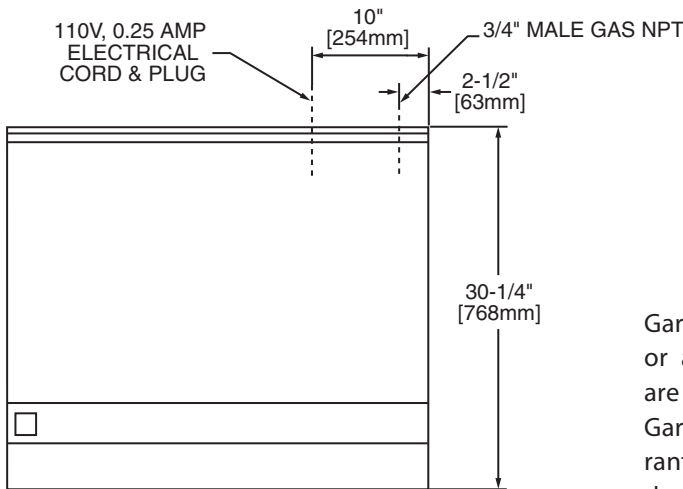
Model #	Dimensions: In. (mm)			No. of Burners	Total BTU*	Griddle Size; In. (mm)	
	Width	Depth	Height			Width	Depth
RGTSA-2424-1	24(610)	30-1/4(768)	16-3/4(425)	2	48,000	24(610)	22(559)
RGTSA-2436-1	36(914)	30-1/4(768)	16-3/4(425)	3	72,000	36(914)	22(559)
RGTSA-2448-1	48(1219)	30-1/4(768)	16-3/4(425)	4	96,000	48(1219)	22(559)

**\* Natural and Propane Gas**

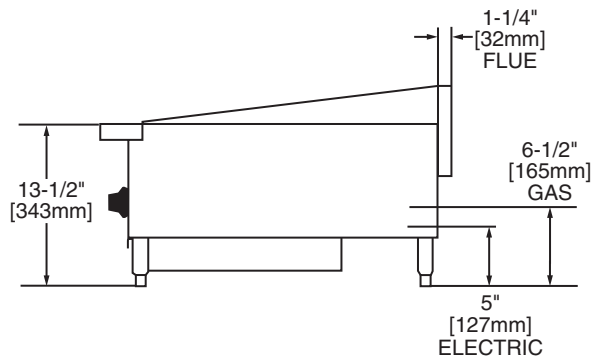
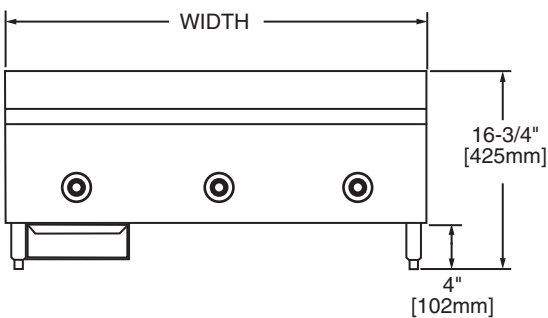
Many local codes exist and it is the responsibility of the owner and installer to comply with those codes.

Shipping Information		
Model No.	Weight Lb/Kg	Cube
RGTSA-2424-1	270/122	18.0
RGTSA-2436-1	370/168	25.0
RGTSA-2448-1	441/200	33.0

Manifold Operating Pressure All Models			
Natural Gas		Propane	
"WC	Mbar	"WC	Mbar
5	12.5	10	25



Garland/U.S. Range products are not approved or authorized for home or residential use, but are intended for commercial applications only. Garland/U.S. Range will not provide service, warranty, maintenance or support of any kind other than in commercial applications.



Form# RGTSA (06/07)

Garland Commercial Industries, LLC  
185 East South Street  
Freeland, PA 18224  
Phone: (570) 636-1000  
Fax: (570) 636-3903

Garland Commercial Ranges Ltd  
1177 Kamato Road,  
Mississauga, Ontario  
L4W 1X4 CANADA  
Phone: 905-624-0260  
Fax: 905-624-5669

Enodis UK LTD  
Swallowfield Way,  
Hayes, Middlesex  
UB3 1DQ ENGLAND  
Telephone: 081-561-0433  
Fax: 081-848-0041

## Free Manuals Download Website

<http://myh66.com>

<http://usermanuals.us>

<http://www.somanuals.com>

<http://www.4manuals.cc>

<http://www.manual-lib.com>

<http://www.404manual.com>

<http://www.luxmanual.com>

<http://aubethermostatmanual.com>

Golf course search by state

<http://golfingnear.com>

Email search by domain

<http://emailbydomain.com>

Auto manuals search

<http://auto.somanuals.com>

TV manuals search

<http://tv.somanuals.com>