



**INSTALLATION AND
OPERATION MANUAL**

**GARLAND COUNTER TOP
HOT PLATES & GRIDDLES**

**MODELS: E24-12H, E24-24G,
E24-36G, E24-48G,
E24-60G & E24-72G**



FOR YOUR SAFETY:
DO NOT STORE OR USE GASOLINE
OR OTHER FLAMMABLE VAPORS OR
LIQUIDS IN THE VICINITY OF
THIS OR ANY OTHER
APPLIANCE

WARNING:
IMPROPER INSTALLATION, ADJUSTMENT,
ALTERATION, SERVICE OR MAINTENANCE
CAN CAUSE PROPERTY DAMAGE, INJURY,
OR DEATH. READ THE INSTALLATION,
OPERATING AND MAINTENANCE
INSTRUCTIONS THOROUGHLY
BEFORE INSTALLING OR
SERVICING THIS EQUIPMENT

PLEASE READ ALL SECTIONS OF THIS MANUAL
AND RETAIN FOR FUTURE REFERENCE.

THIS PRODUCT HAS BEEN CERTIFIED AS
COMMERCIAL COOKING EQUIPMENT AND
MUST BE INSTALLED BY PROFESSIONAL
PERSONNEL AS SPECIFIED.

INSTALLATION AND ELECTRICAL CONNECTION
MUST COMPLY WITH CURRENT CODES:
IN CANADA - THE CANADIAN ELECTRICAL
CODE PART 1 AND / OR LOCAL CODES.
IN USA - THE NATIONAL ELECTRICAL CODE
ANSI / NFPA - CURRENT EDITION.

ENSURE ELECTRICAL SUPPLY CONFORMS WITH
ELECTRICAL CHARACTERISTICS SHOWN ON
THE RATING PLATE.

Users are cautioned that maintenance and repairs must be performed by a Garland authorized service agent using genuine Garland replacement parts. Garland will have no obligation with respect to any product that has been improperly installed, adjusted, operated or not maintained in accordance with national and local codes or installation instructions provided with the product, or any product that has its serial number defaced, obliterated or removed, or which has been modified or repaired using unauthorized parts or by unauthorized service agents. For a list of authorized service agents, please refer to the Garland web site at <http://www.garland-group.com>. The information contained herein, (including design and parts specifications), may be superseded and is subject to change without notice.

GARLAND COMMERCIAL INDUSTRIES
185 East South Street
Freeland, Pennsylvania 18224
Phone: (570) 636-1000
Fax: (570) 636-3903

GARLAND COMMERCIAL RANGES, LTD.
1177 Kamato Road, Mississauga, Ontario L4W 1X4
CANADA
Phone: 905-624-0260
Fax: 905-624-5669

Enodis UK LTD.
Swallowfield Way, Hayes, Middlesex UB3 1DQ ENGLAND
Telephone: 081-561-0433
Fax: 081-848-0041

IMPORTANT INFORMATION

WARNING:

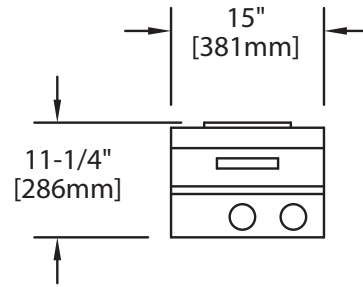
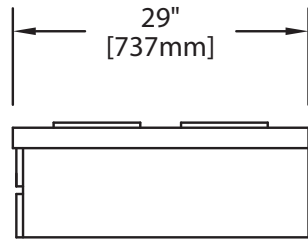
This product contains chemicals known to the state of California to cause cancer and/or birth defects or other reproductive harm. Installation and servicing of this product could expose you to airborne particles of glass wool/ceramic fibers. Inhalation of airborne particles of glass wool/ceramic fibers is known to the state of California to cause cancer.

TABLE OF CONTENTS

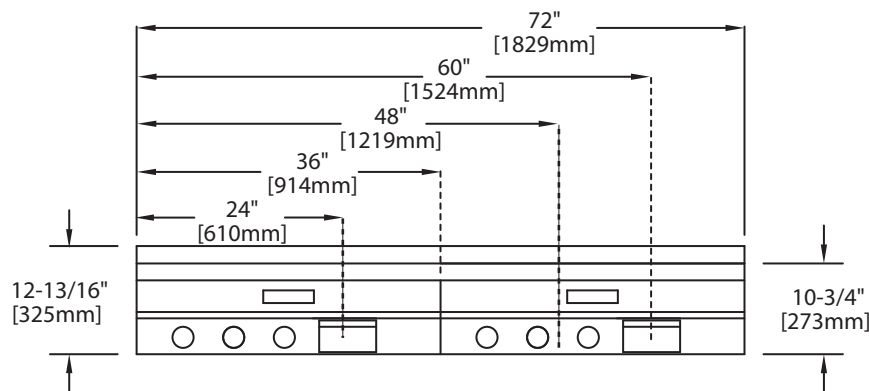
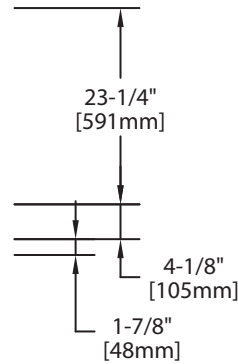
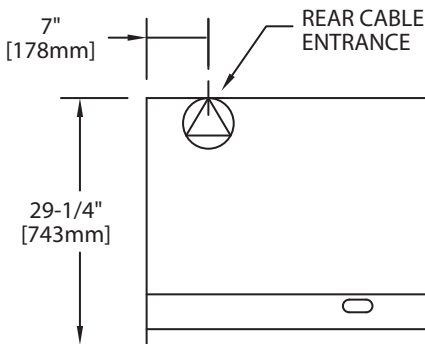
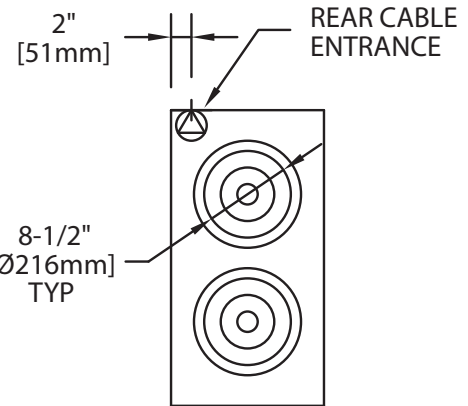
IMPORTANT INFORMATION	2
DIMENSIONS	4
ELECTRICAL SPECIFICATIONS	5
INTRODUCTION	6
Rating Plate.....	6
INSTALLATION	7
Unpacking.....	7
Leg Installation	7
Electrical Connections	7
E24-12H Hot Plate.....	7
E24 Series Griddles.....	7
INITIAL OPERATION	8
Griddle Seasoning Instructions	8
OPERATION	8
Open Type Burners	8
E24 Series Griddles.....	8
Calibration of the Griddle Thermostat.....	9
MAINTENANCE AND CLEANING	10
Exterior Cleaning	10
Cleaning Of Top Surface Heating Elements.....	10
Griddle Cleaning.....	10

DIMENSIONS

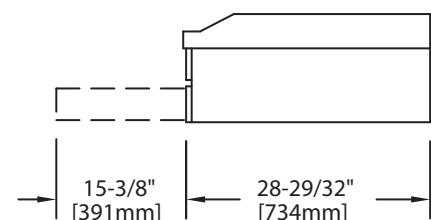
E24-12H



E24-24G, E24-36G, E24-48G E24-60G and E24-72G



GRIDDLE SUFFIX DEFINITIONS	
-24G	24" (610mm) Griddle
-36G	36" (914mm) Griddle
-48G	48" (1219 mm) Griddle
-60G	60" (1524 mm) Griddle
-72G	72" (1829 mm) Griddle



Add 4" (102mm) to height if sanitary legs are used

ELECTRICAL SPECIFICATIONS

E24 Grill Loading Chart – Delta (Domestic Wiring)									
Model	Voltage	Total KW	Total kW Load			Amps Per Phase			Single Phase
			kW X-Y	kW Y-Z	KW X-Z	AX	AY	AZ	
E24-24G	208	8	0.0	4.0	4.0	19.2	19.2	33.3	38.5
	240	8	0.0	4.0	4.0	16.7	16.7	28.9	33.3
	480	8	0.0	4.0	4.0	8.3	8.3	14.4	16.7
E24-36G	208	12	4.0	4.0	4.0	33.3	33.3	33.3	57.7
	240	12	4.0	4.0	4.0	28.9	28.9	28.9	50.0
	480	12	4.0	4.0	4.0	14.4	14.4	14.4	25.0
E24-48G	208	16	4.0	4.0	8.0	50.9	33.3	50.9	76.9
	240	16	4.0	4.0	8.0	44.1	28.9	44.1	66.7
	480	16	4.0	4.0	8.0	22.0	14.4	22.0	33.3
E24-60G	208	20	4.0	8.0	8.0	50.9	50.9	66.6	96.2
	240	20	4.0	8.0	8.0	44.1	44.1	57.7	83.3
	480	20	4.0	8.0	8.0	22.0	22.0	28.9	41.7
E24-72G	208	24	8.0	8.0	8.0	66.6	66.6	66.6	115.4
	240	24	8.0	8.0	8.0	57.7	57.7	57.7	100.0
	480	24	8.0	8.0	8.0	28.9	28.9	28.9	50.0

E24 Grill Loading Chart – Export (wye)										
Model	Voltage	Total KW	Total kW Load			Amps Per Phase			A 1 Phase	Single Phase Voltage
			kW L1	kW L2	KW L3	AL1	AL2	AL3		
E24-24G	415V 2N~ (240/415V)	8.0	4.0	4.0	0.0	16.7	16.7	0.0	33.3	240
	380V 2N~ (220/380V)	6.7	3.4	3.4	0.0	15.3	15.3	0.0	30.5	220
E24-36G	415V 2N~ (240/415V)	12.0	4.0	4.0	4.0	16.7	16.7	16.7	50.0	240
	380V 2N~ (220/380V)	10.1	3.4	3.4	3.4	15.3	15.3	15.3	45.8	220
E24-48G	415V 2N~ (240/415V)	16.0	4.0	8.0	4.0	16.7	33.3	16.7	66.7	240
	380V 2N~ (220/380V)	13.4	3.4	6.7	3.4	15.3	30.5	15.3	61.1	220
E24-60G	415V 2N~ (240/415V)	20.0	8.0	8.0	4.0	33.3	33.3	16.7	83.3	240
	380V 2N~ (220/380V)	16.8	6.7	6.7	3.4	30.5	30.5	15.3	76.4	220
E24-72G	415V 2N~ (240/415V)	24.0	8.0	8.0	8.0	33.3	33.3	33.3	100.0	240
	380V 2N~ (220/380V)	20.2	6.7	6.7	6.7	30.5	30.5	30.5	91.6	220

ELECTRICAL SPECIFICATIONS Continued

LOADING CHART E24-H Hot Plate									
Model	Total Kw Load	Nominal Amperes Per Line							
		3 Phase						Single Phase	
		240V			208V			240V	208V
		X	Y	Z	X	Y	Z		
E24-12H	4.2	15.2	8.8	8.8	17.5	10.1	10.1	17.5	20.2

Export voltage available on request – Specify wiring required

kW loadings are reduced on 220 volt systems.

Standard wiring 240 volt (220/240) or 208 volt (197/219) single or three phase

INTRODUCTION

Your new equipment should be given regular care and maintenance. Periodic inspections by your dealer or a qualified service agency are recommended.

This product has been certified as commercial cooking equipment and must be installed by professional personnel as specified.

Rating Plate

When corresponding with the factory or your local authorized factory service center regarding service problems or replacement parts, be sure to refer to the particular unit by the correct model number (including the prefix and suffix letters and numbers) and the warranty serial number. The rating plate affixed to the unit contains this information. The rating plate is located on the main back panel behind the unit, on hot plates. For griddles the plate is located on the grease drawer slide, remove the grease drawer to access.

Before attempting the electrical connection, the rating plate should be checked to ensure that the unit's electrical characteristics and the supply characteristics agree.

INSTALLATION

Unpacking

Unpack units carefully and provide the necessary space on counter of back bar. All units must be installed following the minimum back and side clearances stated on the tag affixed to each individual unit. To insure proper field wiring size check tag attached to the rear of the unit near knockout.

Leg Installation

1. All units are shipped with N.S.F. approved legs. These legs must be installed to provide a minimum clearance of 4" (102mm) between the counter top and bottom of the appliance in order to meet the National Sanitation Foundation requirements.
2. When using the legs described above, raise the front of the appliance and screw the leg into the leg-retaining nut provided at each corner of the appliance, repeat at each rear.
3. The unit may be leveled by adjusting the legs. Use a spirit level and level the appliance four (4) ways: across the front and back; and down left and right edges.

NOTE: Griddles may not rest evenly on the appliance body if the appliances are not leveled.

Electrical Connections

Before attempting the electrical connection, the rating plate should be checked to ensure that the unit's electrical characteristics and the supply characteristics agree.

Installation of the wiring must be made in accordance with UL 197 Commercial Electric Cooking Appliance Standards, Local and/or National Electrical Code, and ANSI/NFPA 70-1990 and include.

1. Switch panel size
2. Overload protection
3. Wire type
4. Wire size
5. Temperature limitations of the wires
6. Method of connection (Cable, Conduit, etc.)

The service line enters through the rear of the unit and is to be connected to the terminal block. Input voltage and phasing must match the unit's voltage and phasing.

Visually check all electrical connections.

Energize the electrical connections.

NOTE: Appliances are not internally fused. They must be connected to a suitable disconnect box in accordance with local code.

E24-12H Hot Plate

Electrical connection to the terminal may be made through the knockout on the main back. Front access is gained by raising the rear surface element and removing bowl. The terminal block shield is located toward the back lower left of the unit.

E24 Series Griddles

The electrical connections may be made through the knockout at the rear of the unit to the terminal block located behind the terminal block shield.

Front access is gained by raising and propping the griddle plate. The terminal block shield is toward the back and left of the appliance. Remove the shield to expose the terminal block. Make the necessary connection and replace the shield. These appliances have no fusing.

INITIAL OPERATION

Before use allow the griddle plate to reach room temperature. Clean the griddle surface thoroughly by washing with hot water and mild soap to remove rust preventative. Rinse and dry well.

Griddle Seasoning Instructions

- 1 Remove all factory applied protective material by washing with hot water, mild detergent or soap solution.
2. Apply a thin coat of cooking oil to the griddle surface, about one ounce per square foot of griddle surface. Spread over the entire griddle surface with a cloth to create a thin film. Wipe off any excess oil with a cloth.

3. Turn on all thermostats, some discoloration will occur when heat is applied to the steel.
4. Heat the griddle slowly for 15 to 20 minutes, then wipe away the oil. Repeat the procedure 2 to 3 times until the griddle has a slick, mirror like finish. Do this until you have reached the desired cooking temperature.

IMPORTANT: Do not attain 450° F (232° C) (on the thermostat control) during the “break-in” period. The griddle will not require re-seasoning if it is used properly, if the griddle is over heated and product begins to stick to the surface it may be necessary to repeat the seasoning process again. If the griddle is cleaned with soap and water it will be necessary to re-season the griddle surface again.

OPERATION

Open Type Burners

It should be pointed out that the open burners are not designed or intended heavy-duty service. Use of large stockpots will severely damage the surface elements and is not normally covered under the warranty policy! It is recommended that cooking utensils no larger than 10” (254 mm) in diameter and with a capacity no larger than 1 gallon (3.79 liters) be used on the surface elements.

Infinite switches are used to control the front and rear heating elements. Numbers on switch knobs provide the following:

HI – 5	High Heat
5 – 3	Medium Heat
3 – LO	Low Heat

Setting the switches between these numbers will give intermediate heats. Switches are reversible and may be turned right or left.

Surface heating units should not be left on high heat if not covered by a cooking utensil. Turn the switch to number 4 position or lower when units are idling. Failure to do this will shorten the life of the surface heating elements.

Two (2) pilot indicator lamps are provided, one for each heating unit and these will illuminate when heat is being produced by the elements.

E24 Series Griddles

All E24 series griddles are thermostatically controlled from 125° to 450°F (52° to 232° C). To operate, turn the thermostats to desired temperature. Indicator lamps will come “ON” and as the griddle areas reach the desired temperature the indicator lamp will go “OFF”. As the thermostats call for more heat, the indicator lamps will come “ON” and will continue to cycle “OFF” and “ON” as the thermostat operates.

Do not waste electricity or abuse equipment by leaving thermostat at high temperature settings if not required. Throughout all idling periods, set the thermostat to low temperature settings to keep the griddle warm. Re-set thermostat as required for periods of heavy use. Turn the thermostat to “OFF” at end of daily operation.

OPERATION Continued

Calibration of the Griddle Thermostat

Equipped with commercial duty snap action electric thermostats, these units are designed to open on temperature rise. Field re-calibration is seldom necessary and should not be resorted to unless experience with cooking results definitely proves that the control is not maintaining the temperature to which the dial is set.

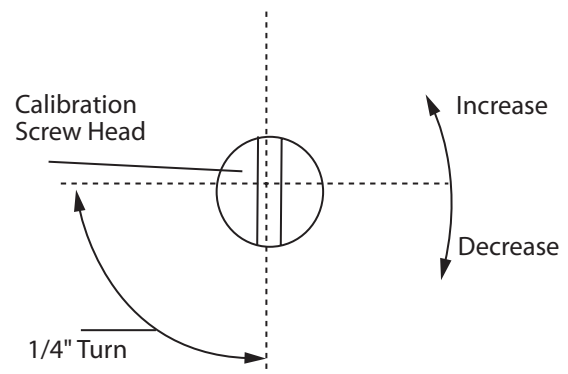
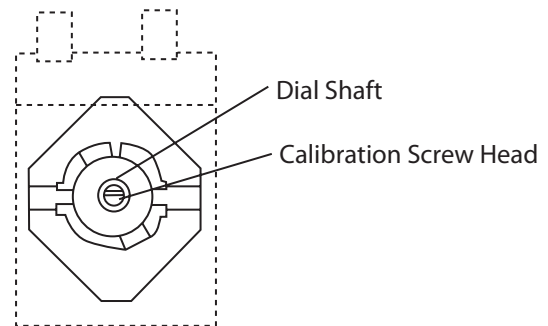
NOTE: NO ATTEMPT TO RECALIBRATE THE GRIDDLE CONTROL SHOULD BE MADE WITHIN THE WARRANTY PERIOD. IF THE CONTROL IS OUT $\pm 20^{\circ}$ F FROM THE DIAL SETTING, THE CONTROL WILL BE REPLACES UNDER WARRANTY. IF SOMEONE ATTEMPTS RECALIBRATION DURING THE WARRANTY PERIOD THERE WILL BE NO WARRANTY ON THE CONTROL THAT WAS TAMPERED WITH.

Calibration Instructions

1. Use a test instrument (surface pyrometer) with a special disc type thermocouple or reliable "surface" type thermometer. Note: A drop of oil on the face of the disc will provide better contact with the griddle plate.
2. Turn all griddle thermostats to 350° F (177° C). In order to allow the griddle temperature to stabilize the controls must be allowed to cycle three times before taking a test reading.
3. Check the temperature reading when the thermostat cycles off by placing the sensor firmly on the center of each section of the griddle surface. Take a second temperature reading when they thermostat cycles back on. Make a note of this reading. The average of the two readings should be $\pm 20^{\circ}$ of 350° set temperature.

If the average is more than the 20° tolerance, recalibrate as follows.

4. Carefully remove the thermostat dial, not disturbing the dial setting.
5. Hold the dial shaft steady and with a screwdriver turn the calibration screw, (that is located inside the thermostat shaft), clockwise to decrease and counter-clockwise to increase the temperature. A $1/4$ turn = 25° F change
6. Replace the thermostat dial and repeat steps 1 through 3 to verify if the correct adjustment has been made.



MAINTENANCE AND CLEANING

NOTE: Disconnect line cord from the power supply or turn the power off at the circuit breaker before cleaning or servicing for your protection against electric shock.

Exterior Cleaning

Establish a regular cleaning schedule. Any spills should be wiped off immediately.

1. Wipe exposed, cleanable surface when cool with a mild detergent and hot water. Stubborn residue spots may be removed with a lightweight non-metallic scouring pad. Dry thoroughly with a clean cloth.
2. Stainless steel should be cleaned using a mild detergent, a soft scouring pad and hot water. If it necessary to use a non-metallic scouring pad, always rub in the direction of the grain in the metal to prevent scratching. Use a water based stainless steel cleaner (Dracket Twinkle), if you want a high shine. Never use steel wool on Stainless steel.
3. The control panel surface is easily cleaned with hot water, soap and a soft cloth. Do not use hard abrasives, solvent type materials or metallic scouring pads since these will scratch or cloud the surface.
4. Never spray the perforated areas or control panel with steam or water, this will allow moisture into the control cavity which could damage electrical components.

Cleaning Of Top Surface Heating Elements

Surface elements may be raised to permit removal of the spillover burner bowl located under the surface elements. Spillover burner bowls may be cleaned, wiped dry and replaced. The Cooking top may be wiped with a damp cloth using a mild detergent and warm water. Rinse with clear, warm water and dry thoroughly.

Griddle Cleaning.

To produce evenly cooked, perfectly browned griddle products, keep the griddle free from carbonized grease. Carbonized grease on the surface hinders the transfer of heat from the griddle surface to the food product. This results in uneven browning and loss of cooking efficiency and worst of all, carbonized grease tends to cling to griddle foods, giving them a highly unsatisfactory and unappetizing appearance. To keep the griddle clean and operating at peak performance, follow these simple instructions.

1. After each use clean the griddle thoroughly with a grill scraper or spatula. Wipe off any excess debris left from the cooking process.
2. Once a day clean the griddle surface with a grill brick and grill pad. Remove the grease container and clean thoroughly, in the same manner as any ordinary cooking utensil.
3. Once a week clean the griddle surface thoroughly. If necessary, use a grill stone or grill pad over the griddle surface. Rub with the grain of the metal while still warm. A detergent may be used on the plate surface to help clean it, but care must be taken to be sure it is thoroughly removed. After removal of the detergent, the surface of the plate should be covered with a thin film of oil to prevent rusting. To remove discoloration, use a non-abrasive cleaner. Before re-using the griddle must be re-seasoned. Keep the griddle drain tube to the grease container clear at all times.

Empty grease trough below the griddle frequently. The front grease trough should be washed using a hot, mild detergent or soap solution. Rinse with clear, warm water and dry thoroughly.

CAUTION: This griddle plate is steel, but the surface is relatively soft and can be scored or dented by careless use of a spatula. Be careful not to dent, scratch, or gorge the plate surface. This will cause food to stick in those areas. Also, note, since this is a steel griddle if a light coat of oil is not always present, rust will develop on exposed area.



Free Manuals Download Website

<http://myh66.com>

<http://usermanuals.us>

<http://www.somanuals.com>

<http://www.4manuals.cc>

<http://www.manual-lib.com>

<http://www.404manual.com>

<http://www.luxmanual.com>

<http://aubethermostatmanual.com>

Golf course search by state

<http://golfingnear.com>

Email search by domain

<http://emailbydomain.com>

Auto manuals search

<http://auto.somanuals.com>

TV manuals search

<http://tv.somanuals.com>