



# Designer Series Electric Hot Plate

Item: \_\_\_\_\_  
 Quantity: \_\_\_\_\_  
 Project: \_\_\_\_\_  
 Approval: \_\_\_\_\_  
 Date: \_\_\_\_\_

Designer Series Electric Hot Plate

Models:

ED-15THSE



Model ED-15THSE

### Standard Features:

- Stainless steel front & black painted sides
- Two 7-1/2" (192 mm) diameter sealed elements
- Each element rated 2000 watts
- Each element controlled by a switch with six heat positions that automatically cycles down to a low heat when left unused
- Heat-On indicating lamps
- 4" (102mm) stainless steel legs
- One-year limited parts & labor warranty (USA & Canada only)

### Optional Features:

- Stainless steel body side
- Stainless steel back and bottom

Note : Stand is available see form # CS24/CSD

### Specifications:

Dependable 7-1/2" (192 mm) diameter sealed solid element hot plate and recessed top ensure quicker clean-ups. Each plate element is controlled by a switch with six heat positions. Elements are protected with a high limit which automatically reduces power to prevent over heating.



Garland Commercial  
 Industries, LLC  
 185 East South Street  
 Freeland, PA 18224  
 Phone: (570) 636-1000  
 Fax: (570) 636-3903

Garland Commercial Ranges Ltd  
 1177 Kamato Road,  
 Mississauga, Ontario  
 L4W 1X4 CANADA  
 Phone: 905-624-0260  
 Fax: 905-624-5669

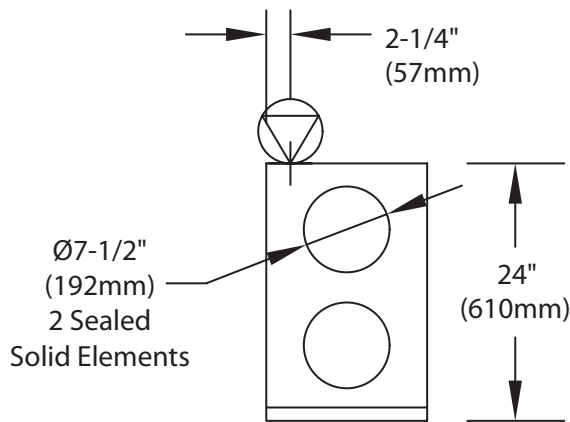
Enodis UK LTD  
 Swallowfield Way,  
 Hayes, Middlesex  
 UB3 1DQ ENGLAND  
 Telephone: 081-561-0433  
 Fax: 081-848-0041

Enodis®

Total kW Load		kW Load Per Phase						Nominal Amperes Per Line							
								Single Phase		3-Phase					
208V	240V	208V			240V			208	240	208			240		
		X-Y	Y-Z	X-Z	X-Y	Y-Z	X-Z			X	Y	Z	X	Y	Z
4.0	4.0		2.0	2.0		2.0	2.0	19.2	16.7	9.5	9.5	16.7	8.3	8.3	14.4

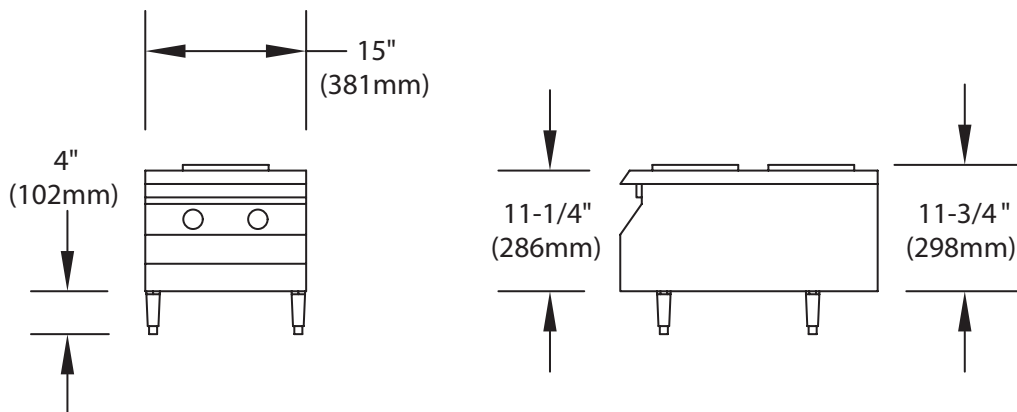
**FOR VOLTAGE OPTIONS OUTSIDE NORTH AMERICA, PLEASE CONTACT THE FACTORY**

Overall Dimensions			Clearances				Cu. Ft.	Shipping Weight
			Installation		Entry			
H	W	D	Sides	Rear	Crated	Uncrated		
11-1/4" (286mm)	15" (381mm)	24" (610mm)	1-1/2" (38mm)	1-1/2" (38mm)	18-1/2" (470mm)	15" (381mm)	5	50lbs. (23kg)



Garland products are not approved or authorized for home or residential use, but are intended for commercial applications only. Garland will not provide service, warranty, maintenance or support of any kind other than in commercial applications.

NOTE: - All 208V 1 phase 60 hZ models will be equipped with a 4-ft (1219mm) power cord and NEMA L6-30P plug (HUBBELL HBL2621 or equivalent)



Form# ED-15THSE (03/25/2008)

## Free Manuals Download Website

<http://myh66.com>

<http://usermanuals.us>

<http://www.somanuals.com>

<http://www.4manuals.cc>

<http://www.manual-lib.com>

<http://www.404manual.com>

<http://www.luxmanual.com>

<http://aubethermostatmanual.com>

Golf course search by state

<http://golfingnear.com>

Email search by domain

<http://emailbydomain.com>

Auto manuals search

<http://auto.somanuals.com>

TV manuals search

<http://tv.somanuals.com>