



Designer Series Gas Hot Plate

Item: _____
 Quantity: _____
 Project: _____
 Approval: _____
 Date: _____

Designer Series Gas Hot Plate

Models:

- GD-152H GD-152HFF GD-304H GD-304HFF



Model GD-152H

Standard Features:

- Stainless steel front and black painted sides
- 4" (102mm) Sanitary legs
- Easy clean design
- 18" (457mm) deep cooking surface
- Piezo spark ignition
- Rear gas connection w/pressure regulator
- Natural or propane gas
- 15" (381mm) or 30" (762mm) widths
- Two or four open burners, one valve per open burner
- 14,800 BTU per burner
- "CE" approved models are equipped with Flame-Failure protection and have suffix "FF"

Optional Features:

- Stainless steel sides
 Stainless steel back and bottom

Note : Stands are available see form # CS24/CSD

Specifications:

Gas designer series hot plates, 15" (381mm) Wide, GD-152H, two open burners and 30" Wide (762mm) GD-304H, four open burners. Designed as free standing or to be banked with other GD series equipment. 24" (610mm) deep x 11-1/4" (286mm) high, easy clean design with stainless steel front and black painted sides. Piezo spark ignition, natural or propane gas, 14,800 BTU input per burner. "CE" approved models are equipped with Flame-Failure protection and have suffix "FF"



Garland Commercial Industries, LLC
 185 East South Street
 Freeland, PA 18224
 Phone: (570) 636-1000
 Fax: (570) 636-3903

Garland Commercial Ranges Ltd
 1177 Kamato Road,
 Mississauga, Ontario
 L4W 1X4 CANADA
 Phone: 905-624-0260
 Fax: 905-624-5669

Enodis UK LTD
 Swallowfield Way,
 Hayes, Middlesex
 UB3 1DQ ENGLAND
 Telephone: 081-561-0433
 Fax: 081-848-0041



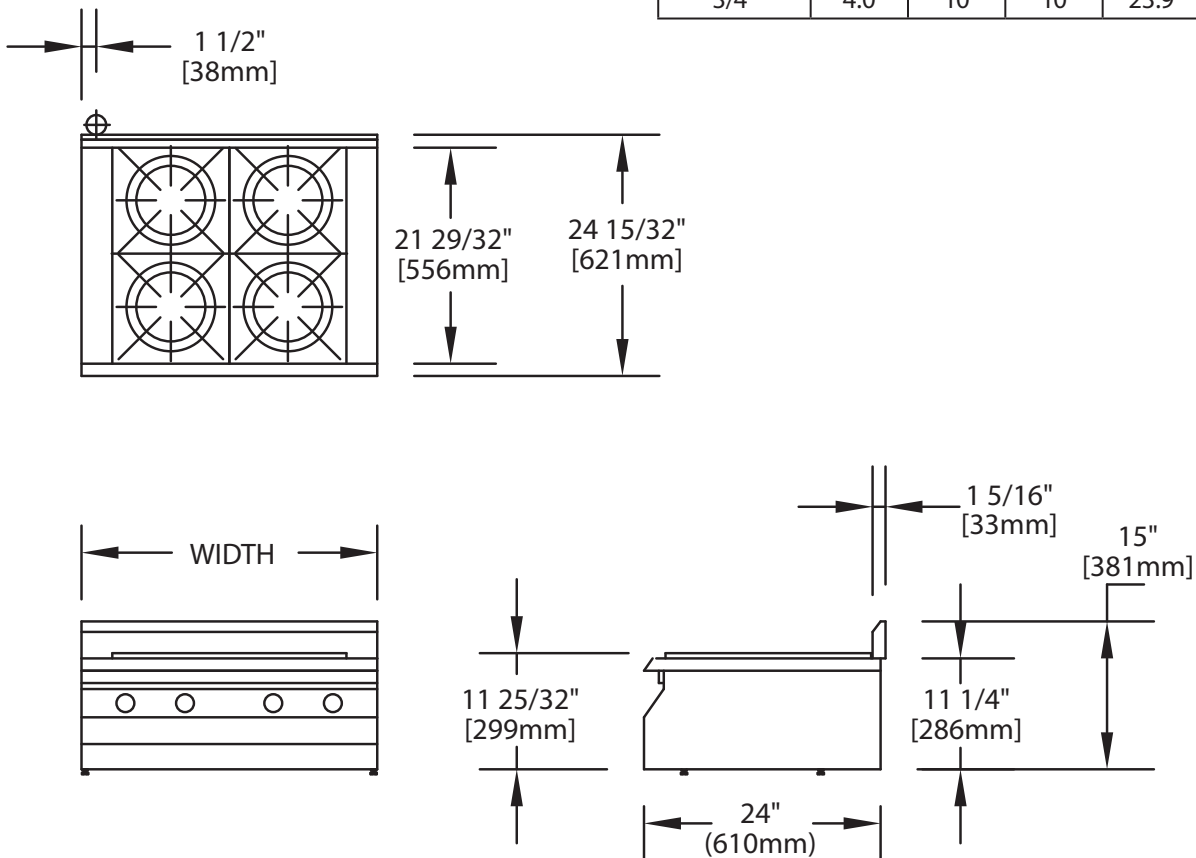
MODEL	No Burners	Overall Dimensions			Total Input BTU/Kw	Cu. FT.	Ship Wt Lb/kg
		Width	Height	Depth			
GD-15H (FF)	2	15" (381mm)	11-1/4" (286mm)	24" (610mm)	29,600/8.67	5	70/32
GD-304H (FF)	4	30" (761mm)	11-1/4" (286mm)	24" (610mm)	59,200/17.34	9	125/57

Gas Input ratings shown here are for installations up to 2,000 ft. (610m) above sea level. Specify altitudes over 2,000 ft.

Garland products are not approved or authorized for home or residential use, but are intended for commercial applications only. Garland will not provide service, warranty, maintenance or support of any kind other than in commercial applications.

Clearances To Combustible Wall		Type of Floor or Base
Sides	Back	
6" (152mm)	6" (152mm)	Combustible

Manifold Inlet Size NPT	Manifold Operating Pressure			
	Natural		Propane	
	"WC	mbar	"WC	mbar
3/4"	4.0	10	10	23.9



Form# GD-152H/GD-304H (05/07)

Garland Commercial Industries, LLC
185 East South Street
Freeland, PA 18224
Phone: (570) 636-1000
Fax: (570) 636-3903

Garland Commercial Ranges Ltd
1177 Kamato Road,
Mississauga, Ontario
L4W 1X4 CANADA
Phone: 905-624-0260
Fax: 905-624-5669

Enodis UK LTD
Swallowfield Way,
Hayes, Middlesex
UB3 1DQ ENGLAND
Telephone: 081-561-0433
Fax: 081-848-0041

Enodis®

Free Manuals Download Website

<http://myh66.com>

<http://usermanuals.us>

<http://www.somanuals.com>

<http://www.4manuals.cc>

<http://www.manual-lib.com>

<http://www.404manual.com>

<http://www.luxmanual.com>

<http://aubethermostatmanual.com>

Golf course search by state

<http://golfingnear.com>

Email search by domain

<http://emailbydomain.com>

Auto manuals search

<http://auto.somanuals.com>

TV manuals search

<http://tv.somanuals.com>