



INSTALLATION AND OPERATION MANUAL

CUISINE SERIES HEAVY DUTY GAS FRYER MODEL C836-1-35F



FOR YOUR SAFETY:
DO NOT STORE OR USE GASOLINE
OR OTHER FLAMMABLE VAPORS OR
LIQUIDS IN THE VICINITY OF
THIS OR ANY OTHER
APPLIANCE

WARNING:
IMPROPER INSTALLATION, ADJUSTMENT,
ALTERATION, SERVICE OR MAINTENANCE
CAN CAUSE PROPERTY DAMAGE, INJURY,
OR DEATH. READ THE INSTALLATION,
OPERATING AND MAINTENANCE
INSTRUCTIONS THOROUGHLY
BEFORE INSTALLING OR
SERVICING THIS EQUIPMENT

PLEASE READ ALL SECTIONS OF THIS MANUAL
AND RETAIN FOR FUTURE REFERENCE.

THIS PRODUCT HAS BEEN CERTIFIED AS
COMMERCIAL COOKING EQUIPMENT AND
MUST BE INSTALLED BY PROFESSIONAL
PERSONNEL AS SPECIFIED.

IN THE COMMONWEALTH OF MASSACHUSETTS
THIS PRODUCT MUST BE INSTALLED BY A
LICENSED PLUMBER OR GAS FITTER. APPROVAL
NUMBER: G-1-07-05-28

For Your Safety:
Post in a prominent location, instructions to be
followed in the event the user smells gas. This
information shall be obtained by consulting
your local gas supplier.

Users are cautioned that maintenance and repairs must be performed by a Garland authorized service agent using genuine Garland replacement parts. Garland will have no obligation with respect to any product that has been improperly installed, adjusted, operated or not maintained in accordance with national and local codes or installation instructions provided with the product, or any product that has its serial number defaced, obliterated or removed, or which has been modified or repaired using unauthorized parts or by unauthorized service agents. For a list of authorized service agents, please refer to the Garland web site at <http://www.garland-group.com>. The information contained herein, (including design and parts specifications), may be superseded and is subject to change without notice.

GARLAND COMMERCIAL INDUSTRIES
185 East South Street
Freeland, Pennsylvania 18224
Phone: (570) 636-1000
Fax: (570) 636-3903

GARLAND COMMERCIAL RANGES, LTD.
1177 Kamato Road, Mississauga, Ontario L4W 1X4
CANADA
Phone: 905-624-0260
Fax: 905-624-5669

Enodis UK LTD.
Swallowfield Way, Hayes, Middlesex UB3 1DQ ENGLAND
Telephone: 081-561-0433
Fax: 081-848-0041

IMPORTANT INFORMATION

WARNING:

This product contains chemicals known to the state of California to cause cancer and/or birth defects or other reproductive harm. Installation and servicing of this product could expose you to airborne particles of glass wool/ceramic fibers. Inhalation of airborne particles of glass wool/ceramic fibers is known to the state of California to cause cancer. Operation of this product could expose you to carbon monoxide if not adjusted properly. Inhalation of carbon monoxide is known to the state of California to cause birth defects or other reproductive harm.

Before leaving the factory, the fryer was tested with oil in the frypot; therefore, it is necessary to clean the frypot before adding frying compound. Rinse the frypot with clean water, then put some fryer cleaner on a damp cloth, full strength, and wipe the entire frypot clean. Rinse it thoroughly and wipe dry. The fryer is now ready for use. If the fryer does not have a stainless steel frypot and is not to be used immediately after cleaning, coat the entire frypot surface with shortening or cooking oil to prevent rusting.

The US Range gas fryer is an energy-efficient, gas fired unit designed-certified by CSA International, NSF International and manufactured to their basic performance and application specifications.

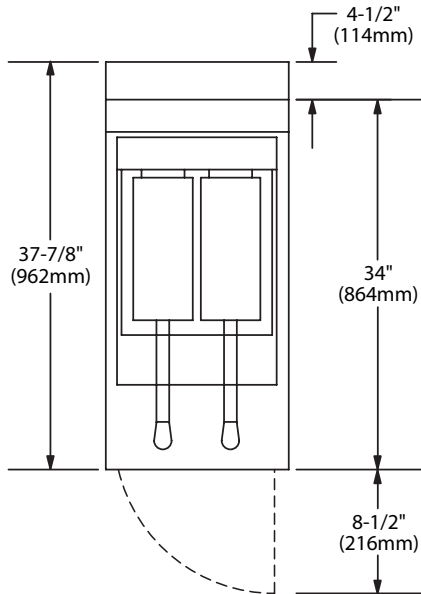
All units are shipped completely assembled with accessories packed inside the fryer vessel. All units are adjusted, tested and inspected at the factory before shipment. Sizes, weights and input rates of all models are listed in this manual.

NOTE: The on-site supervisor is responsible for ensuring that operators are made aware of inherent dangers of operating a deep fat fryer, particularly aspects of oil filtration, draining, and cleaning of the fryer.

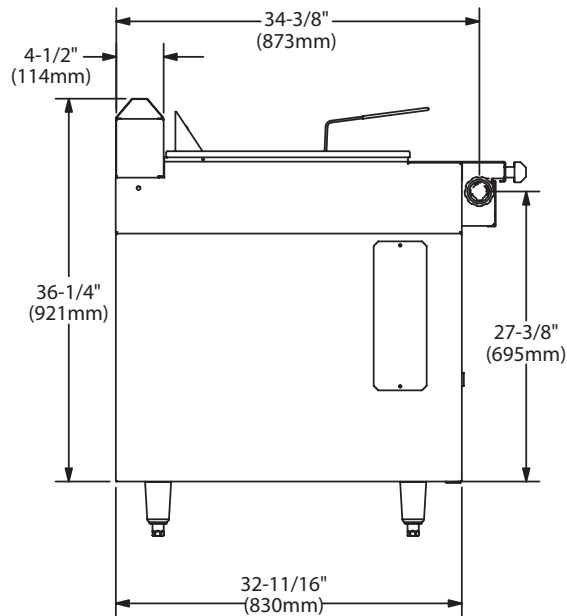
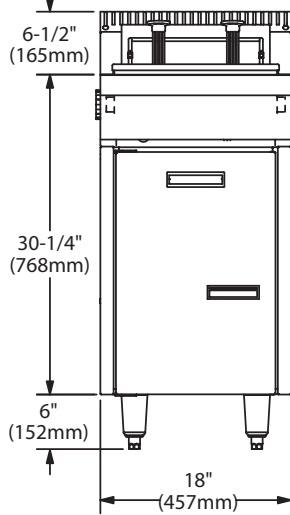
TABLE OF CONTENTS

IMPORTANT INFORMATION	2
DIMENSIONS AND SPECIFICATIONS, MODEL C836-1-35F	4
INSTALLATION	5
Rating Plate.....	5
Pre-Installation Instructions	5
Clearances	5
Gas Connections and Piping Sizing	5
Frypot.....	6
Casters	6
Legs.....	6
Ventilation and Air Supply.....	6
Assembly Of Battery	7
Assembly Instructions Low Profile Backguard	7
Radiation Shield	8
OPERATION	8
Using the Fryer for the First Time	8
Lighting Instructions	9
Stand By.....	9
Complete Shut Down	9
Safety Concerns	9
Optimum Operation Tips.....	9
Suggestions for Quality Fried Food	10
CLEANING AND MAINTENANCE	11
Routine Care.....	11
Cleaning.....	11
Stainless Steel	11
Draining and Filtering Of Fryer Compound	11
Maintenance	12
Preventive Maintenance	12
TROUBLE SHOOTING AND ADJUSTMENTS	13
Adjustments.....	13
Thermostat Calibration	14

DIMENSIONS AND SPECIFICATIONS, MODEL C836-1-35F



CLEARANCES				SHIPPING WEIGHT
INSTALLATION		ENTRY		
Sides	Rear	Crated	Uncrated	
6" (152mm)	6" (152mm)	29-1/4" (743mm)	18-1/4" (464mm)	220lb. (100kg)



TOTAL INPUT		OPERATING PRESSURE		ORIFICE		MANIFOLD PIPE SIZE
Natural	Propane	NAT	PRO	NAT	PRO	
110,000 BTU/Hr (32.23kW/Hr)	85,000 BTU/Hr (24.91kW/Hr)	4.0" WC (10mbar)	9.0" WC (22mbar)	#51	1.05MM	1-1/4" N.P.T

Gas input ratings shown here are for installations up to 2,000 feet (610mm) above sea level. Input must be derated for high altitude installations.

FRYING CAPACITY (per hour)			
FRENCH FRIES		FISH	BREADED CHICKEN
Raw to Done	Blanched to Done	3oz. (84g), Battered	Raw to Done
60lb. (27kg)	80lb. (36kg)	60lb. (27kg)	28lb. (13kg)

INSTALLATION

The importance of proper installation of commercial gas cooking equipment cannot be over stressed. Proper performance of the equipment is dependent, in great part, on the compliance of the installation with the manufacturer's specifications. In addition, compliance with the National Fuel Gas code ANSI Z 223.1-1988/NFPA and/or Local code is required to assure safe and efficient operation.

Appliances shall be installed in a location in which the facilities for ventilation permit satisfactory combustion of gas and proper venting. Appliances shall be located so as not to interfere with proper circulation of air within the confined space. When buildings are so tight that normal infiltration does not provide the necessary air, outside air shall be introduced.

Rating Plate

When corresponding with the factory or your local authorized factory service center regarding service problems or replacement parts, be sure to refer to the particular unit by the correct model number (including the prefix and suffix letters and numbers) and the warranty serial number. The rating plate affixed to the unit contains this information.

We suggest installation, maintenance and repairs should be performed by your local authorized service agency listed in your information manual pamphlet.

In the event you have any questions concerning the installation, use, care or service of the product, write or call our Product Service Department.

This product has been certified as commercial cooking equipment and must be installed by professional personnel as specified.

Pre-Installation Instructions

Before assembly and connection check gas supply.

- A. The type of gas for which the unit is equipped is stamped on the data plate located on inner door panel. Connect a unit stamped "NAT" only to natural gas; connect those stamped "PRO" only to propane gas.
- B. If it is a new installation have the gas authorities check meter size and piping to assure that the unit is supplied with sufficient amount of gas pressure required to operate the UNIT.

- C. If it is additional or replacement equipment have gas authorities check pressure to make certain that existing meter and piping will supply fuel to the unit with not more than 1/2" water column pressure drop.

NOTE: When checking gas pressure be sure that all other equipment on the same gas line is on.

A pressure regulator is supplied as standard equipment with US Range Heavy Duty Gas Fryers. The pressure regulator is "built-in" to the fryer, (the regulator is part of the combination safety valve). Installation must conform with the National Fuel Gas code ANSI Z223.1-1988 or latest edition NFPA No. 54-Latest Edition and National Electrical code ANSI/NFPA 70-1990 or latest edition and/or local code to assure safe and efficient operation.

NOTE: The appliance and its individual shut-off valve (not supplied by manufacturer) must be disconnected from the gas supply piping system during any pressure testing of that system at pressures in excess of 1/2 PSIG (3.45 KP2). The appliance must be isolated from the gas supply piping system by closing its individual manual shut-off (not supplied by manufacturer) during any testing of the gas supply piping system at test pressures equal to or less than 1/2 PSIG (3.45KP2).

NOTE: In Canada, the installation shall be in accordance with CAN/CGA-B149.1 NATURAL GAS AND PROPANE GAS INSTALLATION CODE and local codes where applicable.

NOTE: Adequate clearance must be provided for servicing and proper operation.

NOTE: This appliance is not recommended for residential installation.

Clearances

From Combustible material 6" sides and rear. A clearance of 0.0" to non combustible construction as sides & rear is acceptable. The fryer is suitable for installation on combustible floor.

Gas Connections and Piping Sizing

The size of the gas line is very important. If the line is too small, the gas pressure at the burner manifold will be low. This will cause slow recovery, delayed ignition, and pilot outage. Refer to the Gas Line Sizing Chart in the nation Fuel Codebook.

Before connecting new pipe to your US Range Fryer, the pipe must be thoroughly blown out to depose of all foreign particles. If these foreign particles get into the burner and controls they will cause improper and sometimes dangerous operation.

When using thread compound, use it sparingly and one on male threads. Use compound that is impervious to the action of Propane gases. Do not put any on the first two threads. This will prevent fouling the controls and clogging the pilot and main burner orifices.

Make sure that installer checks all plumbing with a soap solution for leaks. **DO NOT USE A FLAME, MATCHES, CANDLES,** or other ignition source in checking for leaks.

Frypot

Before leaving the factory, the fryer was tested, and the thermostat was calibrated, with oil in the frypot; therefore, it is necessary to clean the frypot before adding frying compound. Rinse the frypot with clean water, then put some fryer cleaner on a damp cloth, full strength, and wipe the entire frypot clean. Rinse it thoroughly and wipe dry. The fryer is now ready for use. If the fryer does not have a stainless steel frypot and is not to be used immediately after cleaning, coat the entire frypot surface with shortening or cooking oil to prevent rust.

Casters

- A. The installation shall be made with a connector that complies with the Standard for Connectors for Moveable Gas Appliances, ANSI Z21.69/CSA 6.16, Addenda Z21.69B-2006/CSA 6.16B-2006 (or latest edition), and a quick-disconnect device that complies with the Standard for Quick Disconnects for Use with Gas Fuel, ANSI Z21.41/CSA 6.9, Addenda Z21.41A-2005/CSA 6.16A-2005 (or latest edition).
- B. The front casters of the unit are equipped with brakes to limit the movement of the fryer without depending on the connector and any quick disconnect device or its associated piping to limit the appliance movement.
- C. Please be aware, required restraint is attached to a bracket on the fryer (connection point is located on the left rear caster of the fryer), and if disconnection of the restraint is necessary, be sure to reconnect the restraint after the fryer has been returned to its originally installed position.

NOTE: When installed, the fryer must be restrained to prevent tipping in order to avoid the splashing of hot liquid. The means of restraint may be the manner of installation, such as connection to a battery of appliances. Or installing the fryer in an alcove, or by separate means, such as adequate ties.

Legs

Raise front of the unit and block. Do not lay unit on its back. Position leg insert into leg retainer opening and tap up until it seats at collar flange. Repeat at rear of unit making sure all four legs are adjusted to same height. Legs can be adjusted to overcome an uneven floor.

CAUTION: These types of US Range Fryers cannot be installed on a masonry base or without proper clearance from floor. Primary air is supplied to the 'jet - type' burner from the front and mainly from the bottom of the fryer. If installed on a masonry base or directly on floor without the use of the factory supplied 6" (152mm) legs or casters, a louvered door option is required.

Ventilation and Air Supply

One of the most important considerations is ventilation. The fryer must be installed so that products of combustions are removed efficiently, but so that the kitchen ventilation system does not produce drafts that interfere with proper burner operation. The fryer flue opening must **NOT** be placed close to the intake of the exhaust fan.

The fryer must never have its flue extended in a chimney fashion. This changes the combustion characteristics of the fryer. This will cause the fryer to be slow to recover, frequently cause delayed ignition, and sometimes cause pilot outage.

The ideal method of ventilating a fryer is the use of a properly designed canopy which should extend six inches (6") (152mm) beyond all sides of the appliance and six feet (6') (1289mm) from the floor.

Many operators do not realize that the finest ventilation system will break down when it is not maintained properly. The duct system, the hood, and the filter bank must be cleaned on a regular basis and kept free of grease.

Adequate distances must be maintained from the flue outlet of the fryer to the lower edge of the filter bank. Filters should never be installed in the horizontal position. They should be installed at an angle of 45 degrees, and a drip tray should be located beneath the lowest edge of the filter. NFPA Standard No.96 states that "A Minimum distance of 18" (457mm) should be maintained between the flue outlet and the lower

INSTALLATION *continued*

edge of the grease filter." We recommend that the 'MINIMUM DISTANCE BE 24" (610 MM) FROM THE FLUE OUTLET TO THE BOTTOM EDGE OF THE FILTER WHEN THE APPLIANCE CONSUMES MORE THAN 120,000 B.T.U. PER HOUR.

A strong exhaust fan will create a vacuum in the room, for an exhaust system vent to work properly, replacement air must enter the room in which the vent is located.

All gas burners and pilots need sufficient air to operate and large objects should not be placed in front of this fryer which would obstruct the air flow through the front. A minimum of 24" (610mm) should be provided at the front of the unit for servicing and proper operation. Air for combustion enters the unit below the cabinet at the base. Do not place anything around the base or under the fryer.

Assembly Of Battery

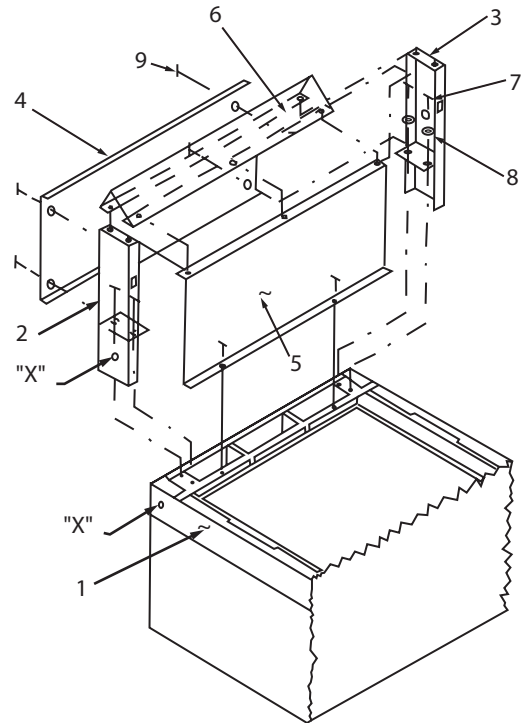
All heavy duty batteries equipment is aligned and fitted at the factory, from left to right and must be installed in this order. There is a diagram provided with every heavy duty battery. C836-1-35F fryers may be installed to battery with other US Range Cuisine Series Ranges, sharing common manifold connections.

- A. All such units should be placed in their respective battery position. Detach valve panels to prevent damage, remove them from the area where the battery is being assembled.
- B. Level each unit (if a range, to the oven rack) by adjusting the six inch (6") legs, or where legs are not used, adjust level with shims. Readjust legs, if required.
- C. Connect units together by mating the unions at each end of the manifold. (Adjoining units must have matching unions, unless the union parts are of the same specifications, a leak proof connection cannot be assured.) Hand tighten unions at this point.
- D. The units should be fastened at the rear by inserting 5/16" bolts through the holes provided at the rear of the burner box sides. Install washer and nut and hand tighten. Be sure of proper unit alignment in the battery before final tightening of these bolts or unions. Improper tightening will cause "fanning" or "bowing" of battered units.

The final tightening of the union should be accomplished by using a suitable spanner wrench. If such a wrench is not available, the US Range union collar has special ridges, and a cold chisel can be driven against these ridges to properly seat and seal the union.

- E. The manifold of this unit or the manifold of which is a part of must be equipped with a certified pressure regulator suitable for battery application and adjustable for an outlet pressure at the manifold as specified on the rating place

Assembly Instructions Low Profile Backguard



1. Remove flue cap #6 by removing six (6) [#10] sheet metal screws.
2. Remove front panel #5 by lifting upward.
3. With back panel #4 still attached to the left #2 and right #3 uprights, drop uprights into the rectangular cutouts at the rear of the range #1.
4. Fasten uprights #2 and #3 to the range #1 with four (4) 5/16" -18 bolts and flat washers #7 and #8.
5. If unit is in a battery lineup, fasten adjacent units together at hole marked "X" with 1/4" -20 bolts, nuts, and washers.
6. Install front panel #5 previously remove.
7. Install flue cap #6 previously removed.

METHOD OF ATTACHING RADIATION SHIELD TO BACKGUARD OR HIGH SHELF

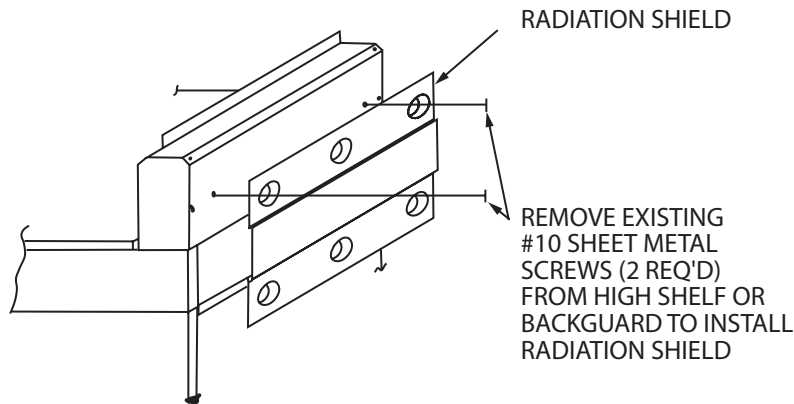


FIGURE 1

Radiation Shield

This radiation shield must be in place when fryer is installed in other than fire resistive locations.

IMPORTANT: The flue riser must be installed within the back guard. This rectangular riser fits over the collar of the flue collector box inside the fryer. Place the flue riser upright through opening in the back top and slide over collar. (See Figure 2).

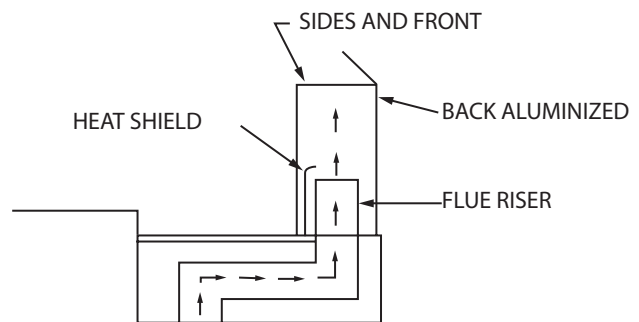


FIGURE 2

OPERATION

Using the Fryer for the First Time

Before lighting the pilot, fill the frypot with frying compound. Then light the pilot according to the instructions inside the fryer compartment on the inner panel. If you are using a cooking oil, you may now turn the main burner on by turning the knob on the automatic gas valve. If you use a hydrogenated (solid) frying compound, it is wise to melt it in a stock pot on the range before putting it in the fryer. If this is not done, pack the frypot with the compound and turn the main burner on for a few seconds and turn it off for a few. See the lighting and shut-down instructions for "How to turn on the main burner once the pilot is lighted."

Intervals of about three seconds on and ten seconds off are about right. Keep doing this until the shortening is melted. If any smoke is seen during this process, you are heating too fast and scorching the shortening, thus cutting down its useful life and possibly damaging the frypot. Shortening level must cover the thermostat bulbs when fryer is in operation.

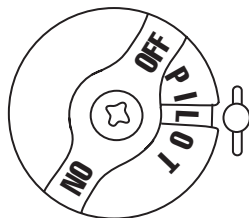
After turning the main burner on, set the thermostat at 325° to check calibration of the thermostat. Let the burner cycle at least four times and suspend a deep fat fryer thermometer in the middle of the frypot about 3" (76mm) deep. When the burner just comes on after the fourth cycle, the reading on the thermostat should agree with the thermostat setting. If not, calibrate the thermostat according to the instructions in the Cleaning and Maintenance Section of this manual.

Lighting Instructions

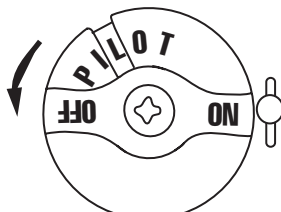
For specific models see "Lighting Instructions" on the inside of fryer compartment.

(Frypot must be filled before lighting).

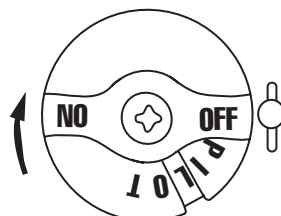
1. Turn thermostat knob to the frying temperature. The thermostat knob is located inside the compartment in the front of the frypot.
2. Open the fryer door and turn the combination safety valve knob to the PILOT position.
3. Push the knob in, light the pilot and continue to hold knob in for about sixty seconds after the flame has been lit.
4. Turn valve knob counter-clockwise to ON.
5. Main burners will now light and will be controlled automatically by the thermostat



AUTOMATIC VALVE KNOB
PILOT POSITION



AUTOMATIC VALVE KNOB
ON POSITION



AUTOMATIC VALVE KNOB
OFF POSITION

NOTE: Fryer cannot be shut off at the thermostat. Thermostat used only to control temperatures.

Stand By

1. Turn fryer gas valve knob to "PILOT" position.
2. Put frypot cover in place.

Complete Shut Down

Turn gas valve knob clockwise to pilot position, DEPRESS knob, slightly clockwise, release knob and continue turning clockwise to OFF.

Safety Concerns

WARNING: The operator should be aware of the HAZARDOUS NATURE, inadvertent splashing and spilling etc., and RESULTANT CONSEQUENCES, personal burns, fires, slipping on spilled liquid etc., when moving the fryer with liquid in the vessel. If the fryer is to be moved, it is recommended that the liquid in the vessel be cooled to room temperature and removed from the vessel.

To assure you of maximum protection and performance your US Range Fryer is equipped with the best and most reliable controls and safety devices available. The operation thermostat will regulate frying compound temperatures to close tolerances in a range between 250°F and 375°F.

If for any reason the pilot should be extinguished the combination safety valve will close off the gas flow to the main burners and pilot burner. As an additional safety feature this valve prevents gas from flowing to the main burners when the pilot is being ignited.

On all units, due to the high rate of heating, and high limit control device is provided as standard equipment. If for any reason the frying compound temperature exceed the maximum dial temperature the entire fryer will turn OFF at 450°F. If this should occur, have qualified service technician check the system. FOR NO REASON SHOULD THIS HIGH LIMIT DEVICE BE BY-PASSED!

Optimum Operation Tips

One of the most important considerations in the profitable use of a fryer is the choice of the frying compound used. A better frying compound will actually cost you less, because it lasts longer than the lower grades and produce fried foods with superior taste and appearance. There are numerous high-grade products available and you are strongly urged to use them.

For maximum frying compound life, good operators find they do best by frying at the lowest temperature that will give a high-quality product. Thus, with this super-fast fryer, you do not have to fry potatoes at 375°F or 400°F. You fry at 325°F. A little experimenting will determine just the right temperatures for your menu items.

The worst enemies of frying compound are light, heat, air and salt. Thus, its life can materially be lengthened by keeping the fryer covered when not in use, frying at the lowest temperatures, and by reducing the temperatures during stand-by periods.

A common habit which is harmful to frying compounds is that of salting foods in baskets over frypot. Also, if food is fried ahead and stored over the frypot to keep hot, as is often done, it will rapidly lose its crispness and will taste greasy.

A common error in frying is to overload the baskets under the mistaken impression that this will increase the production of the fryer. For any given fryer, and any given food product being fried there is a certain load which will produce the maximum amount of food per hour. For best results, we recommend the baskets be filled between 1/2 and 2/3 full. If the baskets are loaded beyond this, the total hourly production rate will decrease.

To give you a starting point, the following chart suggests the temperatures at which most operators fry certain foods:

FRYING CHART		
Product	Temperature	Time
French Fried Potatoes		
Raw-to-done	350	5-7 Min
Blanching	325	4 Min
Browning	350	2 Min
French Fried Onion Rings	360	2-3 Min
Seafood		
Shrimp	360	2-3 Min
Oysters	350	1-4 Min
Scallops	250	3-5 Min
Fillets	350	3-4 Min
Clams	350-360	1-3 Min
Chicken		
Small Pieces	350	6-10 Min
Large Pieces	350-360	8-11 Min

FRYING CHART		
Product	Temperature	Time
Cutlets, Chops (1" thick)	325	5-7 Min
Fritters		
Fruit	350	3-5 Min
Vegetables (asparagus, cauliflower, corn, eggplant, tomato)	350	5-8 Min

Suggestions for Quality Fried Food

- Fresh, uncontaminated frying compound product better fried products.
- Taste the frying compound once a day. Your patrons do, when they eat the product.
- Filter the frying compound daily. Merely straining the shortening is inadequate.
- Drain or dry foods before frying. Excess moisture and water breaks down frying compound.
- Do not salt or otherwise season food over the fryer. This practice contaminates the frying compound and accelerates its deterioration.
- Do not shake breaded items over the fryer.
- Keep the frypot covered when not in use. This will prevent air from oxidizing the frying compound and will keep impurities out.
- Do not overheat the frying compound. Follow the temperature recommended in tested recipes. The company which provides your frying compound can provide tested recipes and techniques for use with their shorting.
- Watch for signs of compound breakdown. An unusual darkening of the compound or smoking are the first signs of breakdown. Foaming, objectionable change in flavour of the product and gumming also indicate a breakdown of the frying compound.
- Set the thermostat at 200°F or below, when not frying.
- Darkened frying compound and incorrect batter or breading can cause a fried product to appear to be done. Use tested recipe or obtain batter or breading specially prepared for today's frying techniques

CLEANING AND MAINTENANCE

Routine Care

NEVER operate the burner with an empty frypot. It only takes a few minutes to completely ruin a frypot this way, and the frypot warranty is void if this is done.

The frying compound should be filtered at least once a day. If a heavy volume of breaded food is fried, it may be necessary to filter two or more times a day. This will increase the life of the frying compound and produce better-tasting food. US Range filter cones are ideal for this and are inexpensive and readily obtainable from your dealer or parts distributor.

The fryer should be cleaned daily, and this operation can be combined with filtering the frying compound. After the fryer is drained, wipe the inside with cloth saturated in a commercial fryer/griddle cleaner, then rinse thoroughly. Wipe dry and put the filtered compound back in the frypot. The frypot should be boiled out once a week with a commercial fryer/griddle cleaner according to direction on the bottle. Each day wipe down the controls and all inside the door with a damp cloth. Remove the basket hanger and clean at least once a week. This way your fryer will stay clean and new looking much longer. Be sure that the grease cover for the automatic gas valve is kept in place

Cleaning

Stainless Steel

For routine cleaning just wash with a hot water and detergent solution. Wash just a small area at a time or the water will evaporate leaving chemicals behind causing streaking. Rinse the washed area with a clean sponge dipped in a sanitizing solution and wipe dry with a soft clean cloth before it can dry. Use a paste (of water and a mild scouring powder) if you have to, but never rub against the grain. All stainless steel has been polished in one direction. Rub with the polish lines to preserve the original finish. Then thoroughly rinse as before. To prevent fingerprints there are several stainless steel polishes on the market that leave an oily or waxy film. Do not use on surfaces that will be in contact with food.

Stainless steel may discolor if overheated. These stains can usually be removed by vigorous rubbing with a scouring powder paste. Use only stainless steel, wood or plastic tools if necessary to scrape off heavy deposits of grease and oil. Do not use ordinary steel scrapers or knives as particles of iron may become imbedded and rust. **STEEL WOOL SHOULD NEVER BE USED.** Either a typical bleach solution or hot water can be use to sanitize stainless steel with harm.

Draining and Filtering Of Fryer Compound

The draining and filtering of fryer compound must be accomplished with care to avoid the possibility of a burn resulting from careless handling.

Filtering: Turn fryer off. Consult the filtering manufactures' operation instructions for recommended filtering procedure. Instructions for use of the filter Quick are included in the Owners Manual shipped with your filter Quick unit.

The following is a recommended procedure to drain and filter your compound when no filter machine is available:

1. Screw the drain pipe provided with your fryer into the drain valve. Assure that you have firmly attached the drain pipe and that the curved end portion is pointing "down."
2. Position the stock pot or other container under the drain pipe. The stock pot or other container must be of sufficient design to withstand the heat generated by the hot compound and must also be able to hold liquids. It is recommended that where no filter machine is available, the filter cone holder and filter cones be used. Be sure the filter cone holder is resting securely on the stock pot or other container.
3. Open the drain valve slowly to avoid splattering. However, since splattering may occur anyway, extreme caution should always be employed.
4. If the valve becomes clogged with food particles you may wish to use a poker-like tool. The tool must be used from the inside of the frypot only and caution should be employed that the tool is gripped by the user as far as possible from the hot fryer compound in the frypot. Do not hammer on the drain valve as damage to the ball inside the valve will cause it to leak. NEVER use this tool or any other tool to unclog the valve from the front of the valve. If the clog comes loose, hot compound could pour out rapidly so beware of splattering in this event.
5. We recommend that the drained compound be allowed to cool to 100°F or lower before transporting the stock pot or other container, removing the drain pipe, or removing the filter cone holder and filter cone.

Maintenance

Your US Range equipment is ruggedly constructed and is designed, with normal care, to give you long and lasting service. It is, of course, desirable to keep your equipment in the best possible condition. As the equipment is used, whether in light or heavy duty service, it should be cleaned often and a regular cleaning schedule should be established on a daily, week and/or monthly basis, depending upon severity of use.

Preventive Maintenance

In order to keep the unit operation at top efficiency, it is advisable to perform preventive maintenance regularly. The frequency of this maintenance will depend on how hard the unit is used, and you should discuss this with your nearest US Range authorized Service Agent.

Preventive maintenance should cover at least the following:

1. Check pilot flame for correct length.
2. Check main burner flames for good ignition and proper burner adjustment.
3. Check thermostat calibration.
4. Check thermopile output.
5. This fryer needs no lubrication.

TROUBLE SHOOTING AND ADJUSTMENTS

Adjustments

The burner used on your US Range Fryer is a patented design which does not require primary air, so no primary air adjustment is possible. When the proper gas is being used, at the proper pressure, and the ceramic targets are adjusted properly, combustion will begin about even with the bottom of the ceramic. The sound that is characteristic is a low roar, similar to a blowtorch.

The correct type of gas and BTU content for which the fryer was equipped at the factory is noted on the nameplate, and this gas must be used.

NEVER THROTTLE DOWN THE INCOMING GAS IN AN EFFORT TO MAKE THE FLAME BURN DIRECTLY ON THE ORIFICE.

A piece of mechanical equipment which is used as hard as a deep fat fryer is going to require service as the fryer gets older; therefore, the following chart outlines problems that are most likely to occur and what to do to correct them.

There are several possible sources of trouble in connection with the operating thermostat. Usually the trouble will be noticed by either the thermostat not causing the gas valve to open, or by causing it to open at the wrong temperature. If it opens the gas valve at the wrong temperature, it is said to be out of calibration. If all the other parts of the appliance are operation as they should, the following chart will help locate the source of trouble and correct it.

Possible Causes	Remedy
1 Thermostat does not call for heat (does not open gas valve at all). a. Lead wires damaged. b. Set too low. c. Out of calibration d. Thermostat defective	1 See Below: a. Repair or replace wires on thermostat. b. Raise setting. c. Re-calibrate d. Replace
2. Thermostat does not control set point a. Out of calibration. b. Contaminated or burned contacts c. Knob of thermostat loose on shaft	2 See Below: a. Re-calibrate b. Replace thermostat c. Calibrate thermostat and tighten set screws.

TROUBLE SHOOTING AND ADJUSTMENTS *continued*

Thermostat Calibration

To calibrate the Fenwal Thermostat, fill the frypot to the FULL mark with frying compound and turn the burner on. Insert a thermometer in the center of the frypot with the bulb about two inches below the surface. Allow the burner to cycle about four times, the thermometer reading should be within 5° of the thermostat knob setting. If this does not agree with the pointer of the thermostat knob.

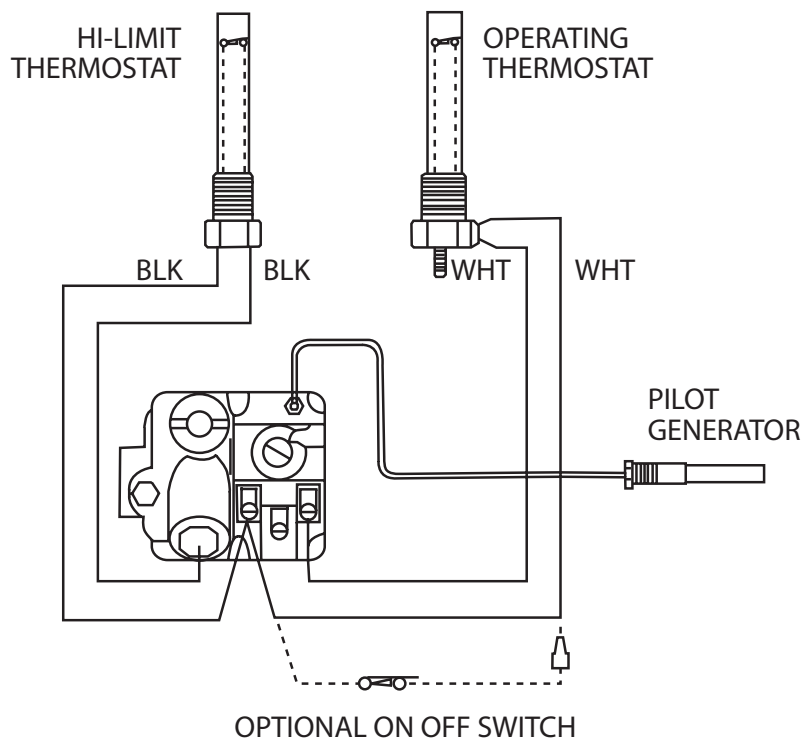
1. Loosen the two set screws on the thermostat knob.
2. Set the pointer at the temperature indicated on the thermometer.
3. Tighten the set screws firmly.
4. Be sure the black surface of the knob is spaced away from the dial plate at least the thickness of a dime.

NOTE: DO NOT TURN ADJUSTING SHAFT MORE THAN TWO TURNS IN EITHER DIRECTION OR PERMANENT DAMAGE CAN RESULT. THIS ACTION MAY VOID THE STANDARD WARRANTY.

The Fenwal Thermostat is an electric switch with contacts that open on a temperature rise. It will respond to temperature changes of approximately 1° when the fryer is idling with no food being fried.

Turning the adjusting shaft counter-clockwise increases the temperature at which time the contacts will open. Some of the most common problems occur in connection with the pilot generator. These usually show as poor ignition of the main burner or frequent pilot outage.

Below is a diagram of how the Fenwal thermostat and Hi-Limit controls are wired to the safety system.





U.S. Range ™

Étalonnage Du Thermostat

Pour étalonner le thermostat Fenwal, remplir le bassin de friture jusqu'à la marque FULL avec du produit à friture et allumer le brûleur. Insérer un thermomètre au centre du bassin de friture avec le bulbe à environ deux pouces sous la surface. Attendre que le brûleur s'allume et s'éteigne environ quatre fois ; l'indication du thermomètre devrait être différente de moins de 5° du réglage du bouton du thermostat. Si la température est différente de celle indiquée par le pointeur du bouton du thermostat.

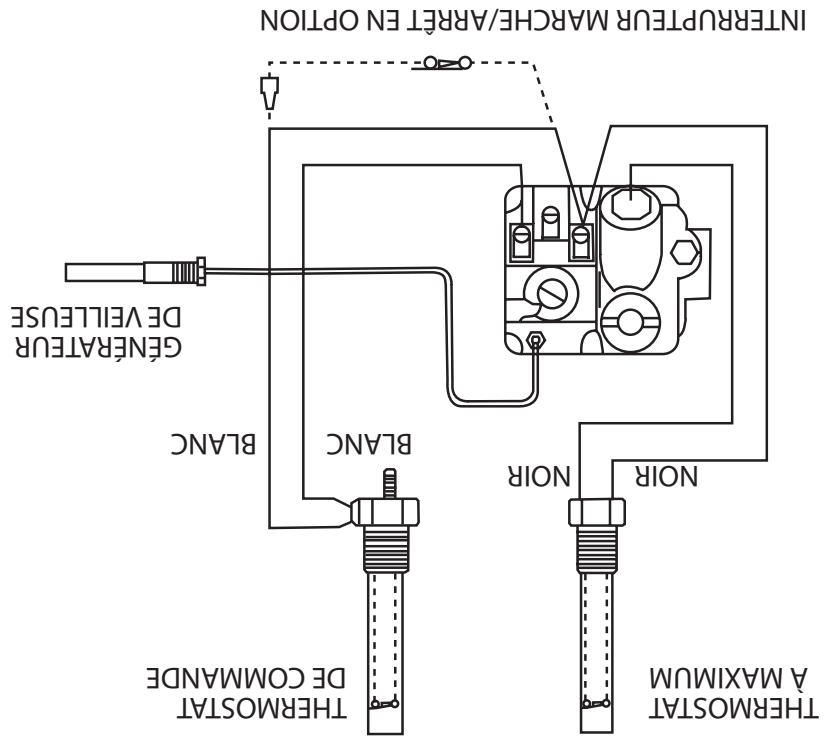
1. Desserrer les deux vis de blocage sur le bouton du thermostat.
2. Régler le pointeur à la température indiquée sur le thermomètre.
3. Bien serrer les deux vis de blocage.
4. Vérifier que la surface noire du bouton est suffisamment éloignée de la plaque du cadran (au moins l'épaisseur d'une pièce de 10 sous).

NOTA : NE PAS TOURNER L'AXE DE RÉGLAGE DE PLUS DE DEUX TOURS DANS UN SENS OU DANS L'AUTRE SOUS PEINE DE CAUSER DES DOMMAGES PERMANENTS. CETTE ACTION PEUT ANNULER LA GARANTIE STANDARD.

Le thermostat Fenwal est un interrupteur électrique avec des contacts qui s'ouvrent quand la température augmente. Il répondra à des changements de température d'environ 1° quand la friteuse est en attente sans à aliments en cours de friture.

Le fait de tourner l'axe de réglage dans le sens inverse des aiguilles d'une montre augmente la température à laquelle les contacts s'ouvrent. Certains des problèmes les plus fréquents sont liés au générateur de veilleuse. Ils se manifestent habituellement sous la forme de problèmes d'allumage du brûleur principal ou d'extinction fréquente de la veilleuse.

On trouvera ci-dessous un schéma de câblage du thermostat Fenwal et des commandes à maximum au système de sécurité.



Solution	Causes Possibles
<p>1 Voir ci-dessous :</p> <ul style="list-style-type: none"> a. Réparer ou remplacer les fils sur le thermostat b. Augmenter le réglage c. Réétalonner d. Remplace <p>2 Voir ci-dessous :</p> <ul style="list-style-type: none"> a. Réétalonner b. Remplacer le thermostat c. Étalonner le thermostat et serrer les vis de blocage 	<p>1 Le thermostat ne demande pas de chaleur (n'ouvre pas du tout le robinet de gaz)</p> <ul style="list-style-type: none"> a. Fils de connexion endommagés b. Régulé trop bas c. Doit être réétalonné d. Thermostat défectueux <p>2. Le thermostat ne contrôle pas le point de consigne</p> <ul style="list-style-type: none"> a. Doit être réétalonné b. Contacts sales ou brûlés c. Bouton du thermostat desserré sur l'axe

Réglages

Le brûleur utilise sur cette friteuse US Range est de conception brevetée, ne nécessitant pas d'air primaire, et il n'est donc pas possible de régler l'air primaire. Quand on utilise un gaz adapté, à la bonne pression, et quand les éléments céramiques sont réglés correctement, la combustion commence à peu près égale en bas de la céramique. Le bruit caractéristique est généralement bas, similaire à celui d'une lampe à souder.

Le type correct de gaz et la puissance calorifique dont est dotée la friteuse en usine sont notés sur la plaque signalétique, et il est nécessaire d'utiliser ce gaz.

NE JAMAIS RÉDUIRE L'ARRIVÉE DE GAZ POUR QUE LA FLAMME BRÛLE DIRECTEMENT SUR L'ORIFICE.

Un équipement mécanique utilisé aussi durement qu'une friteuse a besoin d'être réparé quand il devient plus vieux et on trouvera dans le tableau suivant les problèmes qui sont le plus susceptible de se produire ainsi que les moyens de les résoudre.

Il y a plusieurs sources de problèmes liés au fonctionnement du thermostat. Habituellement, on remarquera le problème car le thermostat ne causera pas l'ouverture du robinet de gaz ou ne causera pas cette ouverture à la bonne température. Si l'ouverture pas le robinet de gaz à la bonne température, on dit qu'il est plus étalonné. Si toutes les autres pièces de l'appareil fonctionnent comme elles devraient, le tableau suivant aidera à localiser la source du problème et à le corriger.

Entretien Préventif

Afin de maintenir l'appareil en bon état de marche, il est conseillé d'effectuer un entretien préventif régulier. La fréquence de cet entretien dépendra de l'utilisation et devra faire l'objet d'une discussion avec l'agent de service agréé US Range le plus proche.

L'entretien préventif devra couvrir au moins les points suivants :

1. Vérifier si la longueur de la flamme de veilleuse est correcte.
2. Vérifier les flammes du brûleur principal pour voir s'il s'allume bien et le régler éventuellement.
3. Vérifier l'étalement du thermostat.
4. Vérifier la sortie de la thermopile.
5. Cette friteuse n'a pas besoin d'être lubrifiée.

Entretien

4. Si le robinet se bouche à cause de particules d'aliments, il est possible d'utiliser un outil de type tisonnier. L'outil doit être utilisé depuis l'intérieur du bassin de friture seulement et l'utilisateur devra faire attention à le saisir le plus loin possible du produit à friture chaud dans le bassin. Ne pas frapper sur le robinet de vidange car tout dommage à la bille à l'intérieur du robinet causera une fuite. NE JAMAIS utiliser ce outil ou tout autre outil pour déboucher le robinet depuis l'avant. Si le bouchon se dégage, du produit bouillant risque de couler rapidement et de créer des éclaboussures dangereuses.
5. Nous recommandons de laisser le produit vidangé refroidir à 100°F ou moins avant de transporter la marmite ou le contenant, de retirer le tuyau de vidange ou le support de cône à filtrer et le cône.

Votre équipement US Range est construit de façon robuste et est conçu, s'il est entretenu normalement, pour être utilisé longtemps. Il est bien sûr souhaitable de maintenir cet équipement dans le meilleur état possible. Quand l'équipement est utilisé, pour un usage intensif ou non, il doit être nettoyé souvent et un calendrier de nettoyage devrait être établi sur une base quotidienne, hebdomadaire et/ou mensuelle, en fonction de l'utilisation.

Entretien De Routine

NE JAMAIS faire fonctionner le brûleur avec un bac de friture vide. Cela ne prend que quelques minutes pour endommager complètement un bac de friture de cette façon et la garantie du bac est annulée dans ce cas.

Le produit à friture doit être filtré au moins une fois par jour. En cas de friture d'un volume important d'aliments panés, il peut être nécessaire de le filtrer deux fois par jour ou plus. Cela augmente la durée de vie du produit à friture et donne un meilleur goût aux aliments frits. Les cônes à filtrer US Range sont parfaits pour cela, sont bon marché et faciles à obtenir auprès du concessionnaire ou distributeur de pièces.

La friture doit être nettoyée chaque jour et cette opération peut être combinée au filtrage du produit à friture. Une fois la friture vidée, essuyer l'intérieur avec un chiffon imbibé d'un produit de nettoyage pour friteuse/gril du commerce puis rincer à fond. Essuyer et remettre le produit à friture filtré dans le bassin de friture. Le bassin de friture devra être nettoyé une fois par semaine en faisant bouillir à l'intérieur un produit de nettoyage pour friteuse/gril du commerce et en suivant les instructions du produit. Essuyer chaque jour les commandes et tout l'intérieur de la porte avec un chiffon humide. Retirer le dispositif d'accrochage du panier et le nettoyer au moins une fois par semaine. De cette façon la friteuse restera propre et comme neuve pendant beaucoup plus longtemps. S'assurer que le couvercle antigrasse du robinet de gaz automatique est maintenu en place.

Nettoyage

Acier Inoxydable

Pour le nettoyage régulier, laver simplement avec de l'eau chaude et une solution de détergent. Laver une petite surface à la fois sinon l'eau s'évaporerait laissant derrière elle des produits chimiques faisant des traînées. Rincer la zone lavée avec une éponge propre trempée dans une solution désinfectante et l'essuyer avec un chiffon propre et doux avant qu'elle ne sèche. Utiliser une pâte (composée d'eau et d'une poudre à récurer douce) si nécessaire, mais ne jamais frotter dans le sens contraire du grain. Tout acier inoxydable a été poli dans un sens. Frotter dans le sens de polissage pour conserver le fini d'origine. Rincer ensuite soigneusement. Pour éviter les traces de doigts, il existe plusieurs produits à polir pour acier inoxydable sur le marché qui laissent un film huileux ou cire. Ne pas utiliser ces produits sur les surfaces en contact avec les aliments.

3. Ouvrir lentement le robinet de vidange pour éviter les éclaboussures. Cependant, étant donné qu'il peut toujours se produire des éclaboussures, faire extrêmement attention.

2. Placer la marmite ou un autre contenant sous le tuyau de vidange. La marmite ou le contenant doit pouvoir résister à la chaleur générée par le produit de friture très chaud et doit pouvoir retenir les liquides. Quand aucune machine à filtrer n'est disponible, il est recommandé d'utiliser le support de cône à filtre et des cônes à filtrer. S'assurer que le support de cône à filtre repose parfaitement sur le fond de la marmite ou du contenant.
1. Visser le tuyau de vidange fourni avec la friteuse dans le robinet de vidange. Vérifier que le tuyau de vidange est bien fixé et que la partie incurvée est dirigée vers le « bas ».

On trouvera ci-après la procédure de vidange et de filtration recommandée du produit de friture quand aucune machine à filtrer n'est disponible.

1. Visser le tuyau de vidange fourni avec la friteuse dans le robinet de vidange. Vérifier que le tuyau de vidange est bien fixé et que la partie incurvée est dirigée vers le « bas ».

2. Placer la marmite ou un autre contenant sous le tuyau de vidange. La marmite ou le contenant doit pouvoir résister à la chaleur générée par le produit de friture très chaud et doit pouvoir retenir les liquides. Quand aucune machine à filtrer n'est disponible, il est recommandé d'utiliser le support de cône à filtre et des cônes à filtrer. S'assurer que le support de cône à filtre repose parfaitement sur le fond de la marmite ou du contenant.

3. Ouvrir lentement le robinet de vidange pour éviter les éclaboussures. Cependant, étant donné qu'il peut toujours se produire des éclaboussures, faire extrêmement attention.

Vidange Et Filtration Du Produit De Friture

L'acier inoxydable peut se décolorer s'il est surchauffé. Ces tâches peuvent habituellement être éliminées en les frottant fortement avec une pâte à base de poudre à récurer. Utiliser uniquement des outils en acier inoxydable, en bois ou en plastique pour gratter les dépôts épais de graisse et d'huile. Ne pas utiliser de grattoirs ou couteaux en acier ordinaire, étant donné que des particules de fer risquent de s'incruster dans le métal et de rouiller. NE JAMAIS UTILISER DE LAINE D'ACIER. On peut utiliser de l'eau de Javel en solution ou de l'eau très chaude pour désinfecter l'acier inoxydable sans l'endommager.

Il est nécessaire de faire très attention pour la vidange et la filtration du produit de friture afin d'éviter toute brûlure causée par une manipulation imprudente.

Filtration : Étendre la friteuse. Consulter les instructions d'utilisation du fabricant du filtre pour la procédure de filtration recommandée. Les instructions d'utilisation du filtre Quick sont jointes au manuel de l'utilisateur expédié avec le Filtre Quick.

- Laisser ségoutter ou sécher les aliments avant de les frire. Un excès d'humidité et d'eau décompose le produit à frire.

- Ne pas saler ni assaisonner les aliments au-dessus de la friteuse. Cette pratique contamine le produit à frire et accélère sa détérioration.

- Ne pas secouer les produits panés au-dessus de la friteuse.

- Maintenir le bassin de friture couvert quand il n'est pas utilisé. Cela empêchera l'air d'oxyder le produit à frire et les impuretés de tomber dedans.

- Ne pas surchauffer le produit à frire. Respecter la température recommandée dans les recettes. La compagnie qui fournit le produit à frire peut fournir des recettes et techniques à utiliser avec son produit.

- Vérifier les signes de décomposition du produit à frire. Un assombrissement inhabituel du produit ou de la fumée sont les premiers signes de décomposition. La formation de mousse, une changement de saveur inacceptable du produit et un encrassement indiquent également une décomposition du produit à frire.

- Régler le thermostat à 200°F ou moins pendant les périodes d'attente.

- Avec un produit à friture de couleur foncée ou une pâte à frire ou une chapelure mal adaptés, un produit frit peut sembler à tort être cuit. Se procurer une recette éprouvée ou obtenir une pâte à frire ou chapelure préparée spécialement pour les techniques de friture actuelles.

- Un produit à friture frais et non contaminé donne de meilleurs produits frits.
- Gouter le produit à friture une fois par jour. Les clients le font, quand ils mangent l'aliment frit.
- Filtrer chaque jour le produit à friture. Il ne suffit pas de le passer au tamis.

Suggestion Pour Des Aliments Frits De Qualité

TABLEAU DE FRITURE		
Produit	Température	Temps
Fruits De Mer Crevettes Huîtres Pétoncles Filets Coquillages	360 350 250 350 350-360	2-3 Min 1-4 Min 3-5 Min 3-4 Min 1-3 Min
Poulet Petits Morceaux Gros Morceaux Escalopes, Côtelettes (Épaisseur 1 Po)	350 350-360 325	6-10 Min 8-11 Min 5-7 Min
Beignets Fruit Légumes (Asperges, Choux Fleurs, Mais, Aubergines, Tomates)	350 350	3-5 Min 5-8 Min

TABLEAU DE FRITURE		
Produit	Température	Temps
Pommes De Terre Frites	350	5-7 Min
De crue à cuire	325	4 Min
Blanchiment	350	2 Min
Brunissage	360	2-3 Min
Anneaux D'oignon Frits		

Pour allonger la durée de vie du produit à friture, les bons utilisateurs trouvent que le mieux est de frire à la température la plus basse possible donnant un aliment de haute qualité. Ainsi, avec cette friteuse super rapide, il n'est pas nécessaire de frire les pommes de terre à 375°F ou 400°F alors qu'une température de 325°F est suffisante. Avec un peu d'expérience, il est facile de déterminer la bonne température pour tous les aliments.

Les pires ennemis d'un produit à friture sont la lumière, la chaleur, l'air et le sel. Ainsi, il est possible de prolonger sa durée de vie en maintenant la friteuse couverte quand elle n'est pas utilisée, en la réglant sur les températures les plus basses possibles et en réduisant les températures pendant les périodes d'inactivité temporaire.

Une habitude fréquente et qui n'est pas bonne pour le produit à friture consiste à saler les aliments dans les paniers au-dessus du bassin de friture. Ajoutons que si les aliments sont frits à l'avance et conservés au-dessus du bassin de friture pour les maintenir au chaud (comme cela se fait souvent), ils perdent rapidement leur craquant et prennent goût de graisse.

Une erreur fréquente consiste également à surcharger les paniers en pensant (à tort) que cela augmentera la production de la friteuse. Pour n'importe quelle friteuse donnée et n'importe quel produit alimentaire donné, il existe une certaine charge, qui produira la quantité maximale de produit préparé à l'heure. Pour obtenir les meilleurs résultats, nous recommandons de remplir les paniers entre la moitié et les deux tiers. Si les paniers sont remplis au-delà, le taux de production horaire total diminuera.

Pour donner un point de départ, le tableau suivant suggère les températures utilisées par la plupart des utilisateurs pour la friture de certains aliments :

Une des considérations les plus importantes pour une bonne utilisation d'une friteuse est le choix du produit à friture utilisé. Un produit à friture de meilleure qualité coûte en fait moins cher car il dure plus longtemps que ceux de qualité inférieure et produit des aliments dont le goût et l'apparence sont meilleurs. Il existe de nombreux produits de haute qualité et nous recommandons fortement leur utilisation.

Conseils D'utilisation

AVERTISSEMENT : Si l'on déplace la friteuse avec du liquide dans le bassin de friture, l'opérateur doit être conscient de la NATURE DANGEREUSE du produit, des éclaboussures et déversements accidentels, etc. et des CONSÉQUENCES, brûlures, incendies, chutes suite à des glissements sur le liquide répandu, etc. Si l'on est nécessaire de déplacer la friteuse, il est recommandé d'attendre que le liquide dans le bassin ait refroidi à la température de la pièce ou de le retirer du bassin. Pour assurer une protection et des performances maximales, cette friteuse US Range est dotée de commandes et dispositifs de sécurité les meilleurs et les plus fiables. Le thermostat règle les températures du produit à friture avec des tolérances serrées entre 250°F et 375°F.

Si pour une raison quelconque la veilleuse s'éteint, le robinet de sécurité combine le débit de gaz vers les brûleurs principaux et la veilleuse. En tant que caractéristique de sécurité supplémentaire, ce robinet empêche le gaz d'atteindre les brûleurs principaux pendant l'allumage de la veilleuse.

Sur tous les appareils, en raison du chauffage important, un dispositif de commande à maximum est prévu en tant qu'équipement de série. Si, pour une raison quelconque, la température du produit à friture dépassait la température maximale réglée, toute la friteuse s'éteint à 450°F. Si cela se produit, demander à un technicien de service qualifié de vérifier le système. EN AUCUN CAS CE DISPOSITIF À MAXIMUM NE DOIT ÊTRE NEUTRALISÉ!

Problèmes De Sécurité.

Tourner le bouton du robinet de gaz en position PLOT, APPUYER sur le bouton, le tourner légèrement dans le sens des aiguilles d'une montre, relâcher le bouton et continuer de le tourner dans le sens des aiguilles d'une montre jusqu'à la position OFF.

Arrêt Complet

1. Tourner le bouton du thermostat à la température de friture. Le bouton du thermostat est situé à l'intérieur du compartiment à l'avant du bassin de friture.
2. Ouvrir la porte de la friteuse et tourner le bouton du robinet de sécurité combiné à la position PLOT (veilleuse).

Pour certains modèles, voir « Instructions d'allumage » à l'intérieur du compartiment friteuse.

Instructions D'allumage

Après avoir allumé le brûleur principal, régler le thermostat à 325° pour vérifier l'étalement du thermostat. Laisser le brûleur s'allumer et s'éteindre au moins quatre fois et suspendre un thermomètre à bain de friture au milieu du bain, à une profondeur d'environ 3 po (76mm). Quand le brûleur vient de s'allumer après le quatrième cycle, la valeur indiquée sur le thermomètre devrait correspondre au réglage du thermostat. Dans le cas contraire, étalonner le thermostat conformément aux instructions de la section Nettoyage et entretien du présent manuel.

Des intervalles d'allumage de trois secondes et d'extinction de dix secondes sont corrects. Procéder ainsi jusqu'à ce que le produit à friture soit fondu. S'il se dégage de la fumée pendant cette opération, le chauffage est trop rapide et le produit à friture brûle, ce qui réduit sa durée de vie et risque d'endommager le bassin de friture. Le niveau du produit à friture doit couvrir les bulbes thermostatiques quand la friteuse fonctionne.

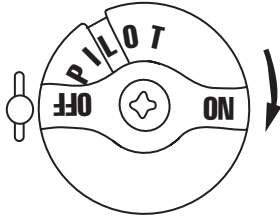
Avant d'allumer la veilleuse, remplir le bassin avec du produit de friture. Allumer ensuite la veilleuse en se conformant aux instructions figurant dans le compartiment friteuse, sur le panneau intérieur. En cas d'utilisation d'huile à friture, il est maintenant possible d'allumer le brûleur principal en tournant le bouton du robinet automatique de gaz. En cas d'utilisation de produit à friture hydrogène (solide), il est conseillé de le faire fondre dans une marmite sur la cuisinière avant de le mettre dans la friteuse. Si on ne procède pas de cette façon, remplir le bassin à friture avec le produit et allumer le brûleur principal pendant quelques secondes puis l'éteindre pendant quelques secondes. Voir les instructions d'allumage et d'extinction dans « Comment allumer le brûleur principal une fois la veilleuse allumée ».

NOTA : La friteuse ne peut pas être éteinte avec le thermostat. Le thermostat est utilisé uniquement pour commander la température.

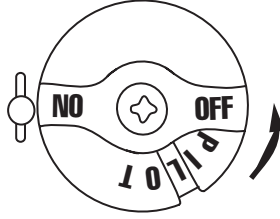
Attente

1. Tourner le bouton du robinet de gaz de la friteuse en position « PLOT ».
2. Mettre en place le couvercle du bassin de friture.

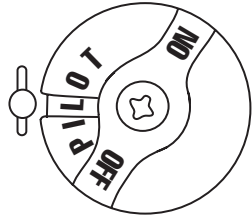
POSITION OFF
DU BOUTON DE ROBINET AUTOMATIQUE



POSITION ON
DU BOUTON DE ROBINET AUTOMATIQUE



POSITION PILOT
DU BOUTON DE ROBINET AUTOMATIQUE



3. Enfoncer le bouton, allumer la veilleuse et maintenir le bouton enfoncé pendant environ soixante secondes après l'allumage de la flamme.
4. Tourner le bouton du robinet dans le sens inverse des aiguilles d'une montre à ON.
5. Les brûleurs principaux s'allument et sont commandés automatiquement par le thermostat.

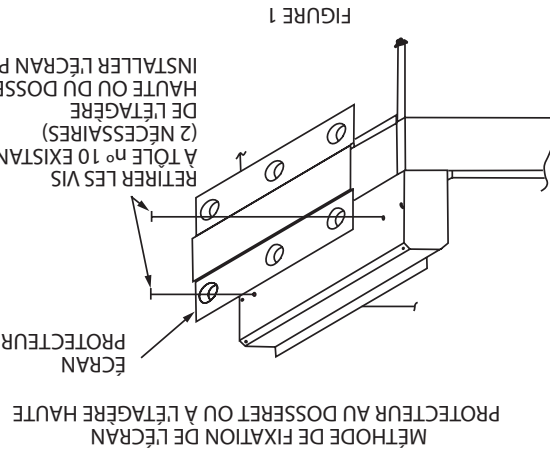
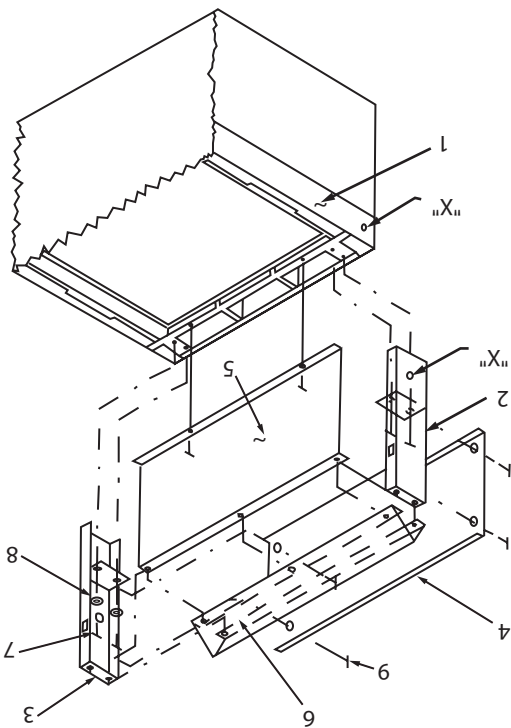
Première Utilisation De La Friteuse

**Instructions De Montage
Dossier À Profil Bas**

1. Retirer le couvercle de conduit de fumée (6) en démontant les six vis à tête n° 10.

2. Retirer le panneau avant (5) en le soulevant vers le haut.
3. Le panneau arrière (4) étant toujours fixé aux montants gauche (2) et droit (3), faire descendre les montants dans les découpes rectangulaires à l'arrière de la cuisinière (1).
4. Fixer les montants (2 et 3) à la cuisinière (1) avec quatre boulons 5/16 po-18 et des rondelles (7 et 8).

5. Si l'appareil est installé en batterie, fixer ensemble les appareils adjacents au trou marqué d'un 'X' avec des boulons 1/4 po-20, de écrous et des rondelles.
6. Mettre en place le panneau avant (5) retiré précédemment.
7. Remettre en place le couvercle de conduit de fumée (6) démonté précédemment.



RETIRER LES VIS À TÔLE n° 10 EXISTANTES (2 NÉCESSAIRES) DE L'ÉTAGÈRE HAUTE OU DU DOSSERET POUR INSTALLER L'ÉCRAN PROTÉCTEUR

Écran Protecteur

Cet écran protecteur doit être en place quand la friteuse est installée dans des endroits qui ne sont pas ignifuges. IMPORTANT : La colonne montante de conduit de fumée doit être installée dans le dossier. Cette colonne montante rectangulaire s'adapte sur le collet du collecteur de fumée à l'intérieur de la friteuse. Placer la colonne montante debout dans l'ouverture dans le dessus arrière et la faire glisser sur le collet. (Voir Figure 2.)

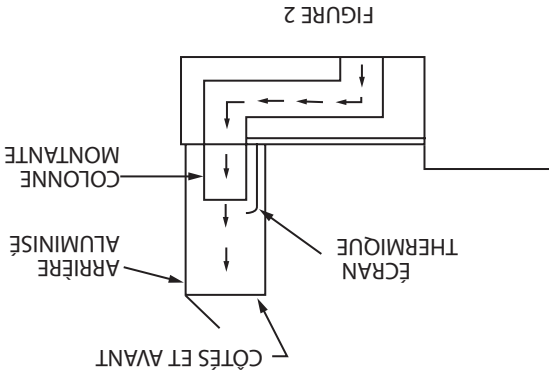


FIGURE 2

Ventilation et Alimentation en Air

Une des considérations les plus importantes est la ventilation. La friteuse doit être installée de façon à ce que les produits de combustion soient éliminés de façon efficace, mais de façon à ce que le système de ventilation de la cuisine ne produise pas de courants d'air empêchant le brûleur de fonctionner correctement. L'ouverture du conduit de fumée de la friteuse ne doit pas être placée près de l'admission du ventilateur d'extraction.

Le conduit de fumée de la friteuse ne doit jamais être prolongé comme une cheminée. Cela change les caractéristiques de combustion de la friteuse. Cela causera une reprise lente de la friteuse, souvent un retard d'allumage et parfois une extinction de la friteuse.

La méthode idéale de ventilation de la friteuse est une hotte correctement conçue, se prolongeant de six pouces (6 po) (152mm) de tous les côtés de l'appareil et située à six pieds (6 pi) (1829mm) du sol.

De nombreux utilisateurs ne se rendent pas compte que le meilleur système de ventilation tombera en panne s'il n'est pas entretenu correctement. Le système de conduits, la hotte et les filtres doivent être nettoyés régulièrement et la graisse doit être éliminée.

Des distances suffisantes doivent être maintenues entre la sortie du conduit de fumée de la friteuse et le bord inférieur de l'ensemble de filtres. Les filtres ne devraient jamais être installés en position horizontale. Ils devraient être installés avec un angle d'inclinaison de 45 degrés et un bac récepteur devrait être placé sous le bord inférieur des filtres. La norme n° 96 de la NFPA indique qu'une distance minimale de 18 po (457mm) devrait être maintenue entre la sortie du conduit de fumée et le bord inférieur du filtre à graisse. Nous recommandons une DISTANCE MINIMALE DE 24 PO (610MM) ENTRE LA SORTIE DU CONDUIT DE FUMÉE ET LE BORD INFÉRIEUR DU FILTRE QUAND L'APPAREIL CONSOMME PLUS DE 120 000BTU/HEURE.

Un ventilateur d'extraction puissant peut créer un vide d'air dans la pièce. Pour que le système de ventilation fonctionne correctement, la pièce doit comporter un dispositif d'arrivée d'air de remplacement.

Tous les brûleurs à gaz et les veilleuses ont besoin de suffisamment d'air pour fonctionner et on ne devra pas placer d'objets encombrants devant la friteuse afin de ne pas empêcher la circulation d'air à l'avant. On devra prévoir un minimum de 24 po (610mm) à l'avant de l'appareil pour

Montage en Batterie

L'entretien et un fonctionnement correct. L'air de combustion entre dans l'appareil sous l'armoire à la base. Ne rien placer autour de la base ou sous la friteuse.

Tous l'équipement professionnel en batterie est aligné et ajusté en usine, de gauche à droite, et doit être installé dans cet ordre. Un schéma est fourni avec chaque batterie professionnelle. Les friteuses C836-1-35F peuvent être installées en batterie avec d'autres cuisinières série Cuisine US Range, partageant des raccords de collecteurs communs.

A. Tous ces appareils doivent être placés dans leur position respective en batterie. Détacher les panneaux de robinets pour éviter de les endommager et les éloigner de la zone de montage de la batterie.

B. Mettre chaque appareil de niveau (dans le cas d'une cuisinière, la grille du four) en réglant les pieds de six pouces (6 po) ou, si les pieds ne sont pas utilisés, régler le niveau avec des cales. Régler de nouveau les pieds si nécessaire.

C. Brancher ensemble les appareils en connectant les raccords unions à chaque extrémité du collecteur. (Les appareils connectés doivent avoir des raccords unions correspondants, car si ces raccords n'ont pas les mêmes caractéristiques, il n'est pas possible d'assurer un raccordement étanche.) Commencer par serrer les raccords à la main.

D. Les appareils doivent être fixés à l'arrière en insérant des boulons de 5/16 po dans les trous prévus à l'arrière des côtés du boîtier de brûleur. Mettre en place la rondelle et l'écrou et serrer à la main. Vérifier l'alignement de l'appareil dans la batterie avant le serrage final de ces boulons ou des raccords unions. Un serrage mal fait causera une mise en « éventail » ou un « cintrage » des appareils en batterie.

E. Le collecteur de cet appareil ou le collecteur dont il fait partie doit être équipé d'un régulateur de pression homogène, convenant pour une utilisation en batterie et réglable pour une pression de sortie au collecteur telle que spécifiée sur la plaque signalétique.

Le serrage final des raccords unions doit être fait avec une clé à griffe convenable. Si on ne dispose d'une telle clé, le coller du raccord union US Range à des rainures spéciales et il est possible d'utiliser un ciseau à froid contre ces rainures pour serrer et étanchéifier correctement le raccord.

INSTALLATION suite

Dégagements

Par rapport à des matériaux combustibles : 6 po sur les côtés et à l'arrière. Un dégagement de 0,0 po par rapport à des matériaux non combustibles sur les côtés et à l'arrière est acceptable. La friteuse peut être installée sur un plancher combustible.

Connexions Du Gaz Et Diamètre Des Tuyaux

Le diamètre de la conduite de gaz est très important. Si la conduite est trop petite, la pression au collecteur des brûleurs sera faible. Cela causera une reprise lente, un retard d'allumage et une extinction de la veilleuse. Consultez le tableau des diamètres de conduites de gaz dans le national Fuel Codebook.

Avant de brancher un tuyau neuf sur la friteuse US Range, celui-ci doit être soigneusement nettoyé à l'air comprimé afin d'éliminer toute particule étrangère. Si ces particules étrangères pénètrent dans le brûleur et le commandes, elles risquent de causer des défauts de fonctionnement et même un danger.

En cas d'utilisation de produit pour filets, ne pas en mettre trop et seulement sur les filetages mâles. Utiliser un produit qui soit imperméable au gaz propane. Ne pas mettre de produit sur les deux premiers filets. Cela évitera de colmater les commandes et de boucher les orifices de la veilleuse et du brûleur principal.

Demander à l'installateur de vérifier s'il y a des fuites sur les conduites de gaz avec une solution d'eau savonneuse. NE PAS UTILISER DE FLAMME, D'ALLUMETTES, DE BOUGIES ou une autre source d'ignition pour vérifier la présence de fuites.

Bassin de Friture

Avant de quitter l'usine, la friteuse a été testée et le thermostat a été étalonné, avec de l'huile dans le bassin de friture; il est donc nécessaire de nettoyer le bassin de friture avant d'ajouter du produit de friture. Rincer le bassin de friture avec de l'eau propre, puis mettre du produit de nettoyage pour friteuse pur sur un chiffon humide et essuyer tout le bassin de friture avec le chiffon. Bien rincer et essuyer. La friteuse est maintenant prête à être utilisée. Si la friteuse n'a pas de bassin de friture en acier inoxydable et n'est pas utilisée immédiatement après le nettoyage, couvrir toute la surface du bassin de friture avec du produit pour friture ou de l'huile pour cuisson afin d'éviter la formation de rouille.

Roulettes

- A. L'installation sera faite avec un raccord conforme à la norme Connectors for Movable Gas Appliances, ANSI Z21.69/CSA 6.16, Addenda Z21.69B-2006/CSA 6.16B-2006 (ou la dernière édition) et un raccord rapide conforme à la norme Standard for Quick-Disconnect Devices for use with gas fuel, ANSI Z21.41/CSA 6.9, Addenda Z21.41A-2005/CSA 6.16A-2005 (ou la dernière édition).
- B. Les roulettes avant de l'appareil sont dotées de freins qui limitent les déplacements de la friteuse sans que le connecteur ou le raccord rapide ou sa tuyauterie n'interviennent pour limiter les mouvements de l'appareil.
- C. Noter que le dispositif de fixation requis est fixé à une bride sur la friteuse (le point de fixation est situé sur la roulette arrière gauche de la friteuse) et, s'il est nécessaire de détacher le dispositif de fixation, ne pas oublier de le rattacher une fois la friteuse remise dans sa position d'origine.

NOTA : Une fois installée, la friteuse doit être retenue pour l'empêcher de basculer afin d'éviter le déversement de liquide brûlant. Le moyen de retenue peut être le type d'installation, comme à l'intérieur d'une batterie d'appareils. Cela peut être fait également en installant la friteuse dans une alcôve ou par des moyens séparés comme des attaches adéquates.

Pieds

Soulever l'avant de l'appareil et le bloquer. Ne pas coucher l'appareil sur le dos. Positionner l'insert de pied dans l'ouverture du dispositif de retenue du pied et taper jusqu'à ce qu'il soit en place dans la bride à coller. Répéter à l'arrière de l'appareil en s'assurant que les quatre pieds sont réglés à la même hauteur. Il est possible de régler les pieds pour compenser l'inégalité du sol.

ATTENTION : Ces types de friteuses US Range ne peuvent pas être installées dans une base en maçonnerie ou sans dégagement suffisant par rapport au plancher. Le brûleur de type à « jet » est allimenté en air primaire depuis l'avant et principalement le dessous de la friteuse. Si elle est installée sur une base en maçonnerie ou directement sur le plancher sans utiliser les pieds de 6 po ou les roulettes fournis par l'usine, une porte à fentes en option est nécessaire.

On n'insistera jamais sur l'importance d'une installation correcte d'un équipement commercial de cuisson à gaz. Le fonctionnement correct de l'équipement dépend, en grande partie, de la conformité de l'installation aux spécifications du fabricant. De plus, il est nécessaire de se conformer au National Fuel Gas code ANSI Z 223.1-1988/NFPA et/ou au code local pour assurer un fonctionnement sécuritaire et efficace.

Les appareils seront installés dans un endroit où les installations de ventilation assurent une combustion satisfaisante du gaz et une aération correcte. Les appareils seront placés de façon à ne pas empêcher une bonne circulation de l'air dans un endroit confiné. Quand les bâtiments sont étanches au point que l'infiltration normale n'assure pas la ventilation nécessaire, on introduira de l'air extérieur.

Plaque Signalétique

Pour correspondre avec l'usine ou le centre de service agréé local concernant des problèmes de service ou des pièces de rechange, bien faire référence à l'appareil avec le numéro de modèle correct (comprenant les lettres et chiffres du préfixe et du suffixe) et le numéro de série de garantie. La plaque signalétique fixée à l'appareil contient ces renseignements. Nous suggérons de faire faire l'installation, l'entretien et les réparations par une agence de service agréée locale figurant dans la manuel d'informations.

En cas de questions concernant l'installation, l'utilisation, l'entretien ou la réparation du produit, écrire ou communiquer avec le département de service des produits. Ce produit a été homologué en tant qu'équipement de cuisson commercial et doit être installé par du personnel professionnel comme spécifié.

Instructions Avant Installation

Avant le montage et le branchement, vérifier l'alimentation en gaz.

A. Le type de gaz pour lequel l'appareil est équipé est estampillé sur la plaque signalétique située sur le panneau intérieur de porte. Brancher un appareil estampillé « NAT » au gaz naturel et un appareil estampillé « PRO » au gaz propane.

B. S'il s'agit d'une installation neuve, faire vérifier par le fournisseur de gaz le diamètre du compteur et des conduites afin de s'assurer que l'appareil reçoit une pression de gaz suffisante pour fonctionner correctement.

C. S'il s'agit d'un équipement supplémentaire ou de remplacement, demander au fournisseur de gaz de vérifier la pression afin de s'assurer que le compteur et les conduites existants alimenteront l'appareil sans chute de pression supérieure à 1/2 po de colonne d'eau.

NOTA : Pour vérifier la pression du gaz, s'assurer que tous les autres équipements branchés sur la même conduite de gaz sont allumés.

Un régulateur de pression est fourni de série avec les friteuses à gaz pour service intensif US Range. Le régulateur de pression est « intégré » à la friteuse (il fait partie du robinet de sécurité combiné). L'installation doit être conforme au National Fuel Gas code ANSI Z 223.1-1988 ou la dernière édition, à la norme NFPA n° 54 ou la dernière édition, au National Electrical code ou la dernière édition et/ou au code local pour assurer un fonctionnement sécuritaire et efficace.

NOTA : Cet appareil et son robinet d'arrêt du gaz individuel (non fourni par le fabricant) doivent être débranchés du système d'alimentation en gaz lors de tout essai de pression de ce système à des pressions dépassant 1/2 lb/po2 (3,45 kPa). Cet appareil doit être isolé du système d'alimentation en gaz en fermant son robinet d'arrêt individuel (non fourni par le fabricant) lors de tout essai du système d'alimentation en gaz à des pressions d'essai supérieures ou égales à 1/2 lb/po2 (3,45 kPa).

NOTA : Au Canada, l'installation doit être conforme au Code d'installation du gaz naturel et du gaz propane CAN/CGA-B 149.1 et aux codes locaux le cas échéant.

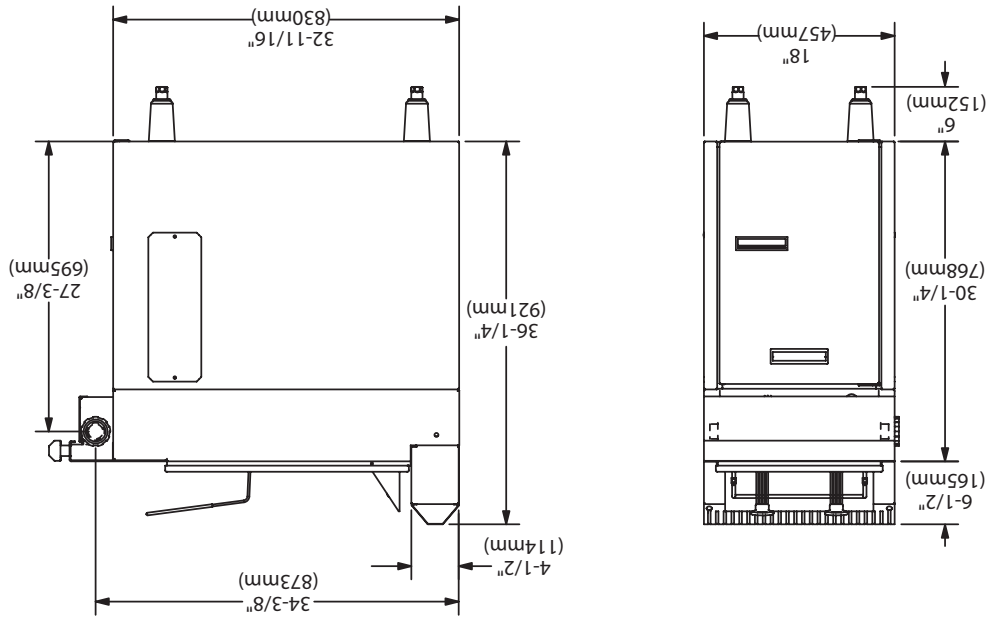
NOTA : Un dégagement suffisant doit être prévu pour l'entretien et l'utilisation.

NOTA : Cet appareil n'est pas recommandé pour une installation résidentielle.

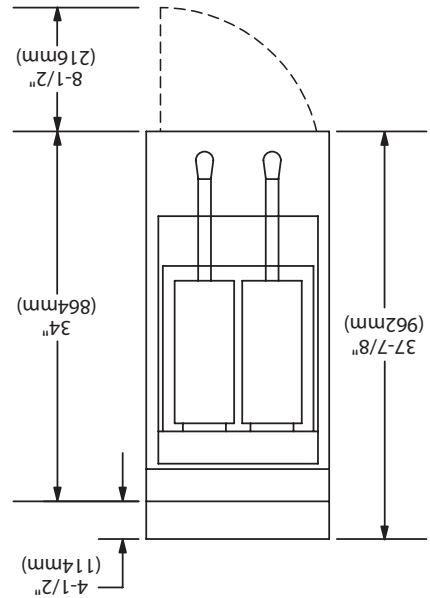
CAPACITÉ DE FRITURE (par heure)		Frites		POULET PANÉ	
60lb. (27kg)	Blanchies à cuites	80lb. (36kg)	Blanchies à cuites	3oz. (84 g), en pâte à frire	Crues à cuites
60lb. (27kg)	Crues à cuites	60lb. (27kg)	Crues à cuites	28lb. (13kg)	

Les indications pour les entrées de gaz s'appliquent à des installations inférieures à 2 000 pi (610 m) d'altitude au-dessus du niveau de la mer. Le débit calorifique doit être réduit pour les installations en haute altitude.

DIAMÈTRE TUYAU COLLECTEUR	DÉBIT CALORIFIQUE TOTAL		PRESSION DE FONCTIONNEMENT		ORIFICE
	Naturel	Propane	NAT	PRO	
1-1/4 po NPT	110 000 BTU/H (32,23kW/h)	85 000 BTU/H (24,91kW/h)	4 po C.E. (10mBars)	9 po C.E. (22mBars)	#51
					1,05MM



POIDS D'EXPÉDITION	DÉGAGEMENTS			INSTALLATION			ENTRÉE	DÉBALLÉ
	Côtés	Arrière	En caisse	En caisse	Arrière	Côtés		
220lb. (100kg)	6"	6"	29-1/4"	18-1/4"	29-1/4"	6"	18-1/4"	464mm
	(152mm)	(152mm)	(743mm)	(464mm)	(743mm)	(152mm)	(464mm)	



DIMENSIONS ET SPÉCIFICATIONS, MODÈLE C836-1-35F

2..... **INFORMATIONS IMPORTANTES**

4..... **DIMENSIONS ET SPÉCIFICATIONS, MODÈLE C836-1-35F**

5..... **INSTALLATION**

5..... Plaque Signalétique.....

5..... Instructions Avant Installation.....

6..... Dégagements.....

6..... Connexions Du Gaz Et Diamètre Des Tuyaux.....

6..... Bassin de Friture.....

6..... Roulettes.....

6..... Pieds.....

7..... Ventilation et Alimentation en Air.....

7..... Montage en Batterie.....

8..... Instructions De Montage/Dossieret À Profil Bas.....

8..... Écran Protecteur.....

9..... **UTILISATION**

9..... Première Utilisation De La Friteuse.....

9..... Instructions D'allumage.....

9..... Attente.....

10..... Arrêt Complet.....

10..... Problèmes De Sécurité.....

10..... Conseils D'utilisation.....

11..... Suggestion Pour Des Aliments Frits De Qualité.....

12..... **ENTRETIEN ET NETTOYAGE**

12..... Entretien De Routine.....

12..... Nettoyage.....

12..... Acier Inoxydable.....

12..... Vidange Et Filtration Du Produit De Friture.....

13..... Entretien.....

13..... Entretien Préventif.....

14..... **DÉPANNAGE ET RÉGLAGES**

14..... Réglages.....

15..... Étalonnage Du Thermostat.....

la friteuse.

REMARQUE : Le superviseur sur place est responsable de la formation des utilisateurs en ce qui concerne les dangers inhérents à l'utilisation d'une friteuse, en particulier en ce qui concerne la filtration de l'huile, la vidange et le nettoyage de

de tous les modèles sont listés dans le présent manuel.

Tous les appareils sont livrés complètement montés et munis de leurs accessoires emballés à l'intérieur de l'appareil. Toutes les friteuses sont réglées, testées et inspectées à l'usine avant leur expédition. Les dimensions, les poids et les débits calorifiques

International, fabriqué selon leurs spécifications de base en matière de performances et d'applications.

La friteuse à gaz US Range est un appareil économique et efficace fonctionnant au gaz et certifié par CSA International, NSF

bassin de friture d'une couche de graisse ou d'huile de friture afin d'éviter la corrosion.

friture en acier inoxydable et si elle ne doit pas être utilisée immédiatement après le nettoyage, recouvrir toute la surface du bassin de friture d'une couche de graisse ou d'huile de friture afin d'éviter la corrosion.

un peu de produit de nettoyage pour friteuses sur un chiffon humide sans le diluer et bien essuyer tout le réservoir. Rincer le bassin de friture avant d'y ajouter de la matière grasse de friture. Rincer le bassin de friture à l'eau propre, mettre

Avant de quitter l'usine, la friteuse a été testée avec de l'huile dans le bassin de friture. Pour cette raison, il est nécessaire de

d'autres problèmes reproductifs.

Le produit contient des produits chimiques reconnus par l'état de Californie comme causant le cancer et/ou des malformations congénitales ou d'autres problèmes de reproduction. L'installation et l'entretien de ce produit peut vous exposer aux poussières de laine de verre/fibres céramiques. L'inhalation de ces particules de laine de verre de produit peut vous exposer au monoxyde de carbone en cas de mauvais réglage. L'inhalation de monoxyde de carbone est reconnue par l'état de Californie comme causant le cancer. L'utilisation de ce produit peut vous exposer à d'autres problèmes reproductifs.

AVERTISSEMENT

GARLAND COMMERCIAL INDUSTRIES
185 East South Street
Freeland, Pennsylvania 18224
Téléphone : (570) 636-1000
Télécopieur : (570) 636-3903

GARLAND COMMERCIAL RANGES, LTD.
1177 Karamo Road, Mississauga, Ontario L4W 1X4
CANADA
Téléphone : 905-624-0260
Télécopieur : 905-624-5669

Enodis UK LTD.
Swallowfield Way, Hayes, Middlesex UB3 1DQ
ANGLETERRE
Téléphone : 081-561-0433
Télécopieur : 081-848-0041




L'attention des utilisateurs est attirée sur le fait que l'entretien et les réparations doivent être effectués par un agent d'entretien autorisé par Garland utilisant des pièces de rechange d'origine Garland. Garland n'aura aucune obligation en ce qui concerne n'importe quel produit mal installé, réglé, utilisé ou qui n'aurait pas été entretenu conformément aux codes nationaux et locaux ou aux instructions d'installation fournies avec le produit ou n'importe quel produit dont le numéro de série aurait été mutilé, oblitéré ou supprimé ou qui aurait été modifié ou réparé avec des pièces non autorisées ou par des agents d'entretien non autorisés. Pour obtenir la liste des agents de service autorisés, consulter le site web de Garland à : <http://www.garland-group.com>. Les renseignements contenus dans le présent document (y compris la conception et les spécifications des pièces) peuvent être remplacés ou modifiés sans préavis.

Pour votre sécurité
Placer dans un endroit bien en vue les
instructions à suivre en cas d'odeur de gaz
détectée par l'utilisateur. Cette information peut
être obtenue auprès du fournisseur de gaz local.

LIRE TOUTES LES SECTIONS DU PRÉSENT
MANUEL ET LE CONSERVER POUR S'Y REPORTER
ULTÉRIEUREMENT.
CE PRODUIT A ÉTÉ HOMOLOGUÉ EN TANT
QU'ÉQUIPEMENT PROFESSIONNEL DE CUISSON
ET DOIT ÊTRE INSTALLÉ PAR DU PERSONNEL
PROFESSIONNEL TEL QUE SPÉCIFIÉ.
DANS L'ÉTAT DU MASSACHUSETTS, CE PRODUIT
DOIT ÊTRE INSTALLÉ PAR UN PLOMBIER OU UN
MONTEUR D'INSTALLATION AU GAZ. NUMÉRO
D'AUTORISATION : G-1-07-05-28

<p>AVERTISSEMENT UNE INSTALLATION, DES RÉGLAGES, DES MODIFICATIONS, DES RÉPARATIONS OU UN ENTRETIEN MAL FAITS PEUVENT CAUSER DES DOMMAGES MATÉRIELS, DES BLES- SURES OU LA MORT. LIRE SOIGNEUSE- MENT LES INSTRUCTIONS D'INSTALLATION, D'UTILISATION ET D'ENTRETIEN AVANT D'INSTALLER OU DE RÉPARER L'ÉQUIPEMENT.</p>	<p>POUR VOTRE SÉCURITÉ : NE PAS STOCKER NI UTILISER D'ESSENCE OU D'AUTRES VAPEURS OU LIQUIDES INFLAMMABLES À PROXIMITÉ DE CET APPAREIL OU DE TOUT AUTRE APPAREIL</p>
--	---



C836-1-35F
CUISINE MODÈLE
PROFESSIONNELLE SÉRIE
FRITEUSE À GAZ
ET D'INSTALLATION
MANUEL D'UTILISATION



Free Manuals Download Website

<http://myh66.com>

<http://usermanuals.us>

<http://www.somanuals.com>

<http://www.4manuals.cc>

<http://www.manual-lib.com>

<http://www.404manual.com>

<http://www.luxmanual.com>

<http://aubethermostatmanual.com>

Golf course search by state

<http://golfingnear.com>

Email search by domain

<http://emailbydomain.com>

Auto manuals search

<http://auto.somanuals.com>

TV manuals search

<http://tv.somanuals.com>