



INSTALLATION AND OPERATION MANUAL

GARLAND S18-F AND S18-SF SERIES RESTAURANT FRYERS



FOR YOUR SAFETY:
DO NOT STORE OR USE GASOLINE
OR OTHER FLAMMABLE VAPORS OR
LIQUIDS IN THE VICINITY OF
THIS OR ANY OTHER
APPLIANCE

WARNING:
IMPROPER INSTALLATION, ADJUSTMENT,
ALTERATION, SERVICE OR MAINTENANCE
CAN CAUSE PROPERTY DAMAGE, INJURY,
OR DEATH. READ THE INSTALLATION,
OPERATING AND MAINTENANCE
INSTRUCTIONS THOROUGHLY
BEFORE INSTALLING OR
SERVICING THIS EQUIPMENT

PLEASE READ ALL SECTIONS OF THIS MANUAL
AND RETAIN FOR FUTURE REFERENCE.

THIS PRODUCT HAS BEEN CERTIFIED AS
COMMERCIAL COOKING EQUIPMENT AND
MUST BE INSTALLED BY PROFESSIONAL
PERSONNEL AS SPECIFIED.

INSTALLATION AND ELECTRICAL CONNECTION
MUST COMPLY WITH CURRENT CODES:
IN CANADA - THE CANADIAN ELECTRICAL
CODE PART 1 AND / OR LOCAL CODES.
IN USA - THE NATIONAL ELECTRICAL CODE
ANSI / NFPA - CURRENT EDITION.

ENSURE ELECTRICAL SUPPLY CONFORMS WITH
ELECTRICAL CHARACTERISTICS SHOWN ON
THE RATING PLATE.

Users are cautioned that maintenance and repairs must be performed by a Garland authorized service agent using genuine Garland replacement parts. Garland will have no obligation with respect to any product that has been improperly installed, adjusted, operated or not maintained in accordance with national and local codes or installation instructions provided with the product, or any product that has its serial number defaced, obliterated or removed, or which has been modified or repaired using unauthorized parts or by unauthorized service agents. For a list of authorized service agents, please refer to the Garland web site at <http://www.garland-group.com>. The information contained herein, (including design and parts specifications), may be superseded and is subject to change without notice.

GARLAND COMMERCIAL INDUSTRIES
185 East South Street
Freeland, Pennsylvania 18224
Phone: (570) 636-1000
Fax: (570) 636-3903

GARLAND COMMERCIAL RANGES, LTD.
1177 Kamato Road, Mississauga, Ontario L4W 1X4
CANADA
Phone: 905-624-0260
Fax: 905-624-5669

IMPORTANT INFORMATION

WARNING:

This product contains chemicals known to the state of California to cause cancer and/or birth defects or other reproductive harm. Installation and servicing of this product could expose you to airborne particles of glass wool/ceramic fibers. Inhalation of airborne particles of glass wool/ceramic fibers is known to the state of California to cause cancer.

TABLE OF CONTENTS

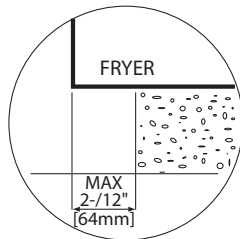
IMPORTANT INFORMATION.....	2
DIMENSIONS AND SPECIFICATIONS	4
Exterior Dimensions.....	5
INTRODUCTION.....	5
General Information	5
Safety	5
Rating Plate.....	5
Product Information	6
INSTALLATION	6
Unpacking.....	6
Siting.....	6
Clearances.....	7
Appliances Equipped With Legs	7
Appliances Equipped With Casters.....	7
Ventilation.....	7
Electrical Supply	7
Single and Three Phase Connection.....	7
Commissioning	7
Preparation Before Use.....	8
OPERATION.....	8
Filling the Tank.....	8
Operating Instructions	8
High Temperature Cutoff/Reset.....	8
Operating Controls.....	9
Operation Safety.....	9
Suggestions for Quality Fried Products.....	9
MAINTENANCE AND CLEANING	10
Frying Compound	10
Stainless Steel	10
Enamelled / Painted Surfaces.....	10
Thermostat Calibration.....	10
Servicing	11
Precautions.....	11

DIMENSIONS AND SPECIFICATIONS

North American (60 cycle) Electrical Loading:									
Model	Total kW	Nominal Amperes Per Line							
		208v/1Ø	240V/1Ø	208V/3Ø			240V/3Ø		
				X	Y	Z	X	Y	Z
S18F	12	58	50	34	34	34	28.9	28.9	28.9
S18SF	16	77	66.7	49	38	49	41.8	41.8	32.5

Export (50 cycle) Electrical Loading:										
Model	Total kW		Nominal Amperes Per Line							
			220/380V/ 1Ø	240/415V/ 1Ø	220/380/3Ø			240/415V/3Ø		
	X	Y			Z	X	Y	Z		
S18F	10.1	12	46.2	50	15.4	15.4	15.4	16.7	16.7	16.7
S18SF	13.4	16	61.1	66.7	17.2	26.7	17.2	18.8	29.2	18.8

DAIS Installation:



Frying area is 13" (330mm) wide x 15-1/2" (394mm) deep.

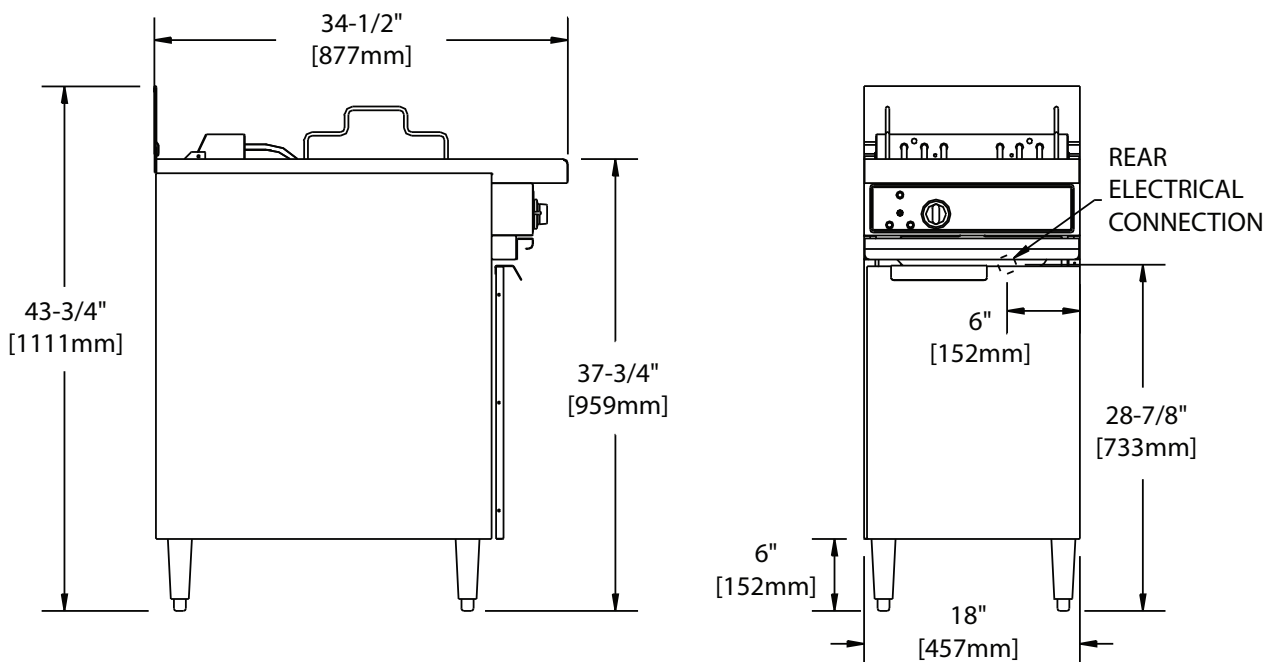
Installation Clearances:

Clearance to combustible surfaces

Sides: 1" (25mm) Rear: 1-1/2" (38mm)

NOTE: Many local codes exist, and it is the responsibility of the Owner and the Installer to comply with those codes.

Production Capacity (per hour)	
Model	French Fries
S18F	Frozen to Done 50 lbs. /23kg
S18SF	Frozen to Done 60 lbs./ 27kg



Frying area is 13" (330mm) wide x 15-1/2" (394mm) deep

DIMENSIONS AND SPECIFICATIONS continued

Exterior Dimensions

Model	Height*	Width	Depth	Weight
S18-(F,SF)	37-3/4" (959mm)	18" (457mm)	34-1/2" (876mm)	140Lb/64Kg

* Height from front rail to floor

NOTE: Height Dimensions specified with 6" (152mm) legs.

INTRODUCTION

You have purchased the finest Commercial cooking Equipment available. Like any fine precision built piece of equipment it should be given regular care and maintenance. The following instructions should be read carefully as the manufacturer can not be held responsible for any damage to property or persons caused by incorrect installation or operation of the equipment.

General Information

1. Check the crate for possible damage sustained during transit. Carefully remove the unit from the crate and again check for damage. Any damage to the unit must be reported to the carrier immediately.
2. Any protective material covering stainless steel parts must be removed.
3. All fryers are shipped from the factory with legs or casters fitted unless specially ordered without.
4. The type of voltage supply that the equipment was manufactured for at the factory is noted on the data plate and on the packaging. This type of supply must be used.
5. Do not remove permanently affixed labels, warnings or data plates from the appliance, for this may void approvals and creates a safety hazard.

Safety

This manual pertains to fryers. The reader/operator must interpret its contents to applicable needs. If there is any question of interpretation of any of the literature pertaining to Garland fryers, please contact your Authorized Service Agency or our Customer Service Department at the phone number listed on the front of this manual.

A qualified person must make the installation of these products in accordance with the local codes of the country of destination.

Always follow these safety precautions when operating the fryer.

The unit must only be operated by qualified persons. **DO NOT** operate without reading this manual.

DO NOT operate the product unless it has been properly installed and earthed.

DO NOT operate the product unless all service and access panels are in place and fastened properly.

DO NOT attempt to repair or replace any part of this product unless all main power supplies have been disconnected.

WARNING: to avoid serious personal injury: Use extreme caution in setting up, operating and cleaning this product to avoid coming in contact with hot surfaces or hot oil. Suitable protective clothing should be worn to prevent the risk of burns.

NOTE all warning labels and markings on the product, which call attention to further dangers and necessary precautions.

WARNING: this appliance must not be cleaned with a water jet.

Rating Plate

For proper operation, the information on the data plate of your new equipment must match your electrical supply. The data plate is readily accessible, located on the inside of the cabinet door. It contains all of the pertinent information required by the installer.

INTRODUCTION continued

When corresponding with the factory or your equipment dealer regarding service problems or replacement parts, be sure to refer to the particular unit by the correct model number, including prefix and suffix letters and numbers and serial number. The rating plate affixed to the unit contains this information.

Product Information

The deep fat fryer is one of the more versatile products in today's kitchen. Its ability to cook a variety of products in large quantities makes it the most common & economical choice. The Garland restaurant series fryer is designed to be installed free standing or in battery with Garland S, SS, SU680 series ranges.

Cooking larger quantities of food can be done more efficiently than small quantities. Product is cooked directly in the oil using the lift out wire baskets supplied.

INSTALLATION

The Garland S18 series deep fat fryer complies with the standards CSA C22.2 No. 109 – latest edition, the UL197 – latest edition and the NSF#4 – latest edition. The installation & connection of this appliance must comply with current codes. In Canada – the Canadian Electric Code Part 1 and in the USA – The National Electrical Code.

Your new equipment must be installed and adjusted by a competent person as required by the local electrical authorities. Failure to install appliances correctly could lead to prosecution. It is in your own interests and that of safety to ensure that the law is complied with.

Your Garland Dealer is well qualified to provide this service. Periodic inspections by your dealer or a qualified service company are recommended to check temperatures and to ensure moving parts are operative. Wherever possible avoid overheating idle equipment, as this is the primary cause for increased service cost.

Unpacking

1. Carefully remove the unit from the crate. All packing material must be removed from the unit. The protective material covering the stainless steel must be removed immediately after the unit is installed.
2. Do not remove permanently affixed labels, warnings or data plates from the appliance, for this may void approvals and creates a safety hazard.

Siting

The fryer should be installed on a firm smooth and level floor designed to withstand the weight of the appliance and any ancillary equipment. (Refer to dimensions and specifications section for weights). Once in position check that the equipment is level, the fryer must be level front to back, side to side and diagonally. This leveling must be done with the unit under the hood and in its normal operational position. Adjust if necessary.

If the fryer is to be dais or cove mounted, the base on which it is to be set should be level. If it is not, the fryer must be shimmed to level.

INSTALLATION continued

Clearances

The space in which the appliance is to be sited must include the minimum installation clearances to combustible surfaces as indicated in the following table.

CLEARANCE TO COMBUSTIBLE MATERIAL	
Location	All Models
Top	*
Left Hand Side	1" (25mm)
Right Hand Side	1" (25mm)
Rear	1.5" (38mm)
Type of Floor or Base	Combustible

* NOTE Equipment must be installed under a ventilation canopy

Adequate clearance must be provided for servicing, ventilation & proper operation. The product must be kept free from combustible material.

Appliances Equipped With Legs

All Fryers are shipped from the factory with legs installed unless otherwise specified. When the fryer is specified for dais or cove mounting it is shipped less legs. Legs must be adjusted to a minimum height of 6" (152mm) in order to comply with NSF standards.

Appliances Equipped With Casters

1. The front casters on the unit are equipped with brakes to limit the movement of the fryer without depending on the electrical connection.
2. A restraint can be attached to the unit near the electrical connection. If the restraint is disconnected be sure to reconnect it after the fryer has been returned to its original installed position.

Ventilation

The area in which the appliance is installed must be adequately ventilated to provide air for removal of steam, heat generated by the appliance, etc. These products are intended to be installed under a ventilation hood. The use of a mechanical extract system should be considered and conform to local codes.

Proper operation of exhaust fans (proper speed, rotation and adjustment) is essential. In addition a make-up air system (HVAC) for the kitchen to supply fresh air is recommended.

Any ventilation system will break down if improperly maintained. The duct system, the hood, and the filters must be cleaned on a regular bases and kept clean.

Electrical Supply

CAUTION: Prior to installation check the electrical supply to ensure input voltage and phase match the equipment voltage rating and phase. See data plate located inside of the cabinet door.

The supply entrance is located at the rear. The supply terminal block is accessible from the front. The electrical supply must be adequate for the voltage, phase & current marked on the rating plate.

NOTE: A means of disconnection from the supply having a contact separation of at least 3 mm in all poles must be incorporated in the fixed wiring.

This equipment is intended to be installed with fixed permanent wiring

WARNING: This appliance must be earthed.

Single and Three Phase Connection

Unless otherwise noted all fryers are shipped from the factory for three phase connection. A wiring diagram is attached to the rear of each fryer. Visually check all the electrical connections. The fryer is wired at the factory as specified on the order. If it is necessary to change the phasing, refer to the wiring diagram.

Commissioning

Ensure all circuit breakers located in the lower compartment are set to the 'ON' (1) position.

1. Ensure that all controls are in the off position and turn on the main electrical supply.
2. Operate the fryer in accordance with the operating instructions.
3. Check that the product functions correctly and that the voltage supply to the unit does not drop by more than 5% when all sections are operated simultaneously.

When the operation has been check, hand the instructions to the user or purchaser for retention and instruct them in the efficient and safe operation of the appliance.

INSTALLATION continued

Preparation Before Use

After the fryer has been properly installed and checked for operation, it will be necessary to clean the protective coating from the tank as follows:

1. Turn the power service disconnect switch off.
2. Remove baskets from the fry tank.
3. Lift the element handle until the heating elements are in full raised position.
4. Lift the tank out of the fryer for cleaning. If a special fry tank cleaner is used, carefully follow the manufacturer's instructions for use. A soap, vinegar or baking soda solution may be used for cleaning the tank. Rinse the tank thoroughly with clean, hot water and dry completely.
5. Replace the tank in the fryer. If the tank has the optional drain valve, make sure that this valve is tightly closed.
6. With the circuit breakers and toggle switch on the fryer in the "OFF" position, turn on the power at the service disconnect box.

OPERATION

Filling the Tank

Once the tank and elements have been cleaned the tank can be filled with oil.

1. If Liquid frying compound is used, fill the tank to the 'Full' mark stamped on the inside of the tank. Do not over fill the tank.
2. If hydrogenated or solid frying compound is used, measure 30 lbs (13.6 kg). Pack the compound firmly around the heating unit. The elements must be completely covered with compound. Start the fryer and set the thermostat to 250°F (121°C). Operate at this temperature until the compound is completely melted. Operating at higher temperatures can scorch the frying compound.
3. For optimum frying compound life, it has been recommended by the manufactures of the compound limit the maximum operating temperature to 375°F (190°C) on S18F models and 350°F (177°C) on S18SF models.

Operating Instructions

The S18 series fryers are equipped with a temperature limiting safety system. To start the fryer operating:

1. Turn the thermostat to the "OFF" position.
2. Lift the toggle switch to the start position (momentarily up).
3. Release the switch. It will return to the run position. The green indicator lamp should be illuminated.
4. Turn the thermostat dial to the desired temperature.

High Temperature Cutoff/Reset

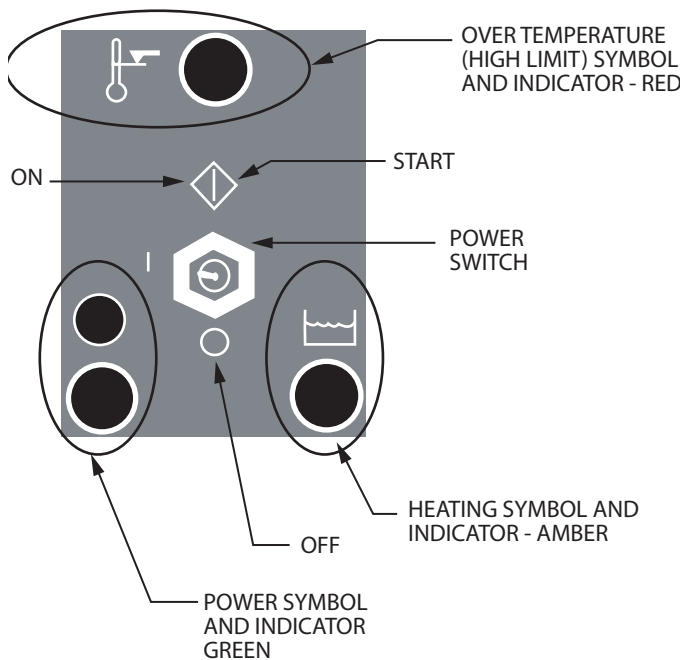
Your Garland Fryer is equipped with a protective secondary thermostat. If the operating thermostat fails to control the temperature, the secondary (Hi-Limit) thermostat will take over. It will cut off power to the heating elements if the frying compound reaches a temperature greater than 430°F (221°C). The system cannot be reset until the frying compound drops in temperature by approximately 50°F (28°C). Repeating the starting procedure can reset the system.

OPERATION continued

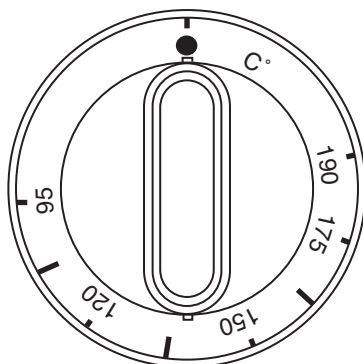
If this condition occurs, it could indicate that the operating thermostat has become damaged. A qualified service technician should check the fryer. Continued operation of the fryer in this condition will deteriorate the frying compound and degrade the product quality.

Operating Controls

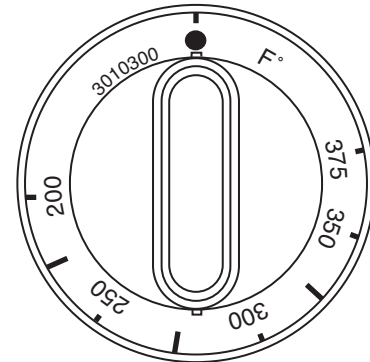
Control Panel, Symbols and Indicators



Thermostat Dial Degrees C



Thermostat Dial Degrees F



Operation Safety

It is the responsibility of the supervisor or equivalent person to ensure that users of this equipment wear suitable protective clothing and to draw attention to the fact that some parts will be necessary, become very hot and will cause burns if touched accidentally.

Suggestions for Quality Fried Products

Clean equipment is vital to the quality of fried foods. Fresh uncontaminated frying compounds produce better fried foods.

1. Taste the frying compound once a day. Your patrons do, when they eat the product.
2. Filter the frying compound daily. Use a proper filter and cone or a filter system.
3. Drain or dry foods before frying. Excessive moisture and water breaks down frying compound.
4. Do not salt or otherwise season food over the fryer. This practice contaminates the frying compound and accelerates its deterioration.
5. Do not shake breaded items over the fryer.
6. Keep the fry tank covered when not in use. This will prevent air from oxidizing the frying compound and will keep impurities out.

OPERATION continued

7. Watch for the signs of shortening break down. An unusual darkening of the shortening or smoking are the first signs of break down. Foaming, objectionable change in flavour of the product and fuming also indicate a break down of the frying compound.
8. Set the thermostat to 200°F (93°C) during idle periods. This will conserve energy and extend frying compound life.

MAINTENANCE AND CLEANING

NOTE: This Appliance is not Protected against Water Jets. Do not Clean with Water Jets.

Frying Compound

It is important to keep the cooking oil clean. The frequency of change depends on the amount of use and the type of products cooked.

Stainless Steel

Stainless steel should be cleaned using a mild detergent, a soft cloth and hot water. If it is necessary to use a non-metallic scouring pad, always rub in the direction of the grain in the metal to prevent scratching. Wash a small area at a time and rinse the washed area with a clean sponge dipped into a disinfectant and wipe dry with a soft clean cloth before it can dry.

Use only stainless steel, wood or plastic tools to scrape off heavy deposits of grease or oil. Do not use ordinary steel scrapers or knives, as particles of iron may become embedded and rust.

NEVER USE STEEL WOOL.

Enamelled / Painted Surfaces

Establish a regular cleaning schedule. Any spills should be wiped off immediately. The unit should be allowed to cool down before cleaning any exterior surfaces. Wipe exposed surfaces when cool with mild detergent and hot water. Stubborn residue spots may be removed with scouring pad. Dry thoroughly with a clean cloth.

Thermostat Calibration

WARNING: Turn off the electrical mains before commencing any service work.

It is normal for an electromechanical thermostat to cycle with a 45° F - 50° F (25°C - 28°C). When checking calibration, allow the thermostat to cycle a minimum of two times.

1. Place the thermocouple of the test instrument in the center of the tank 1" (25mm) below the oil surface.
2. Turn the thermostat dial to 325° F (163° C). In order to allow the oil temperature to stabilize, the control must be allowed to cycle twice before taking a test reading.
3. Check the temperature reading just when the control cycles "OFF" as indicated by the cycle pilot lamp. If the temperature does not read within 15° F (8° C) of the dial setting, recalibrate as follows:
4. Carefully remove the thermostat dial, not disturbing the dial setting.
5. Hold the thermostat shaft steady and with a small flat blade screw driver, turn the calibration screw located inside the shaft clockwise to decrease the temperature and counter clock wise to increase the temperature.
NOTE: Each 1/4 turn of the screwdriver will create a change of approximately 35° F (20° C).
6. Replace the thermostat dial and repeat steps 1 through 3 to verify that correct adjustment has been made.

MAINTENANCE AND CLEANING continued

Servicing

To ensure efficient and safe operation of the appliance it is recommended that servicing is carried out at regular intervals, the frequency of which will vary, depending on the installation conditions and usage. Usually once per year is adequate.

Competent persons in accordance with the law must carry out servicing.

Precautions

It is essential that the instructions in this booklet be strictly followed for the safe and economical operation of the equipment. If it is known or suspected that a fault exists on the appliance then it must not be used until a competent person has rectified the fault.



Garland 

Produit À Friture

REMARQUE : Cet appareil n'est pas protégé contre les jets d'eau. Ne pas nettoyer avec un jet d'eau.

Il est important de maintenir l'huile de cuisson propre. La fréquence des changements dépend de la quantité utilisée et du type de produit cuit.

Acier Inoxydable

L'acier inoxydable devra être nettoyé avec un détergent doux, un chiffon et de l'eau chaude. S'il est nécessaire d'utiliser un tampon à récurer non métallique, frotter toujours dans le sens du grain afin d'éviter de rayer le métal. Laver une petite surface à la fois, rincer la surface lavée avec une éponge trempée dans un produit désinfectant et sécher avec un chiffon doux propre avant que la surface ait séché.

Utiliser uniquement des outils en acier inoxydable, en bois ou en plastique pour gratter si nécessaire les résidus tenaces ou en plastiques ou d'huiles. Ne pas utiliser de grattoirs ni de coupeaux en acier ordinaire, car des particules de fer risquent de s'incruster dans les surfaces et rouiller.

NE JAMAIS UTILISER DE LAINE D'ACIER.

Surfaces Emailées/Peintes

Établir un calendrier de nettoyage régulier. Les déversements devront être essuyés immédiatement. Laisser refroidir l'appareil avant de nettoyer les surfaces extérieures. Essuyer les surfaces exposées quand elles sont froides avec de l'eau chaude et un détergent doux. Les résidus rebelles peuvent être éliminés avec un tampon à récurer. Bien essuyer avec un chiffon propre.

Étalonnage Du Thermostat

AVERTISSEMENT : Couper l'alimentation électrique avant de commencer les travaux de réparation.

Il est normal qu'un thermostat électronique se déclenche à une température de 45° F - 50° F (25° C - 28° C). Pour vérifier l'étalonnage, laisser le thermostat se déclencher au moins deux fois.

1. Placer le thermocouple de l'instrument d'essai au centre du bassin, à 1 po (25 mm) sous la surface de l'huile.

2. Tourner le thermostat sur 325° F (163° C). Afin de laisser la température de l'huile se stabiliser, il faut laisser la commande se déclencher deux fois avant de faire une lecture d'essai.

3. Vérifier l'indication de température juste avant que la commande ferme l'élément chauffant comme indiqué par le témoin de chauffage. Si la température indiquée diffère de plus de 15° F (8° C) de la température du cadran, réétalonner comme suit :

4. Retirer soigneusement le cadran du thermostat, sans modifier le réglage du cadran.
5. En immobilisant l'axe, tourner avec un petit tournevis plat la vis d'étalonnage à l'intérieur de l'axe dans le sens des aiguilles d'une montre pour diminuer la température ou dans le sens contraire des aiguilles d'une montre pour augmenter la température. REMARQUE : Chaque 1/4 de tour de la vis modifie la température d'environ 25° F (14° C).
6. Remettre en place le cadran du thermostat et répéter les étapes 1 à 3 pour vérifier que le réglage est correct.

Entretien

Pour assurer le fonctionnement efficace et sécuritaire de l'appareil, on recommande d'en effectuer l'entretien à intervalles périodiques, selon une fréquence qui sera fonction des conditions d'installation et d'utilisation. Un entretien annuel est généralement suffisant.

Seules des personnes compétentes peuvent effectuer cet entretien selon les dispositions de la loi.

Sécurité

Il est essentiel que les instructions de la présente brochure soient strictement suivies afin d'assurer le fonctionnement sécuritaire et économique de l'équipement. Si vous savez ou soupçonnez que l'appareil présente une défaillance, vous ne devez pas l'utiliser tant que celle-ci n'a pas été corrigée par une personne compétente.

Suggestion Pour Des Aliments Frits De Qualité

Il est essentiel que l'équipement soit propre pour la qualité des aliments frits. Un produit à friture frais et non contaminé donne de meilleurs produits frits.

1. Goûter le produit à friture une fois par jour. Les clients le font, quand ils mangent l'aliment frit.

2. Filtrer chaque jour le produit à friture. Utiliser un filtre et un cône ou un système de filtration adaptés.

3. Laisser ségoutter ou sécher les aliments avant de les frire. Un excès d'humidité et d'eau décompose le produit à friture.

4. Ne pas saler ni assaisonner les aliments au-dessus de la friture. Cette pratique contamine le produit à friture et accélère sa détérioration.

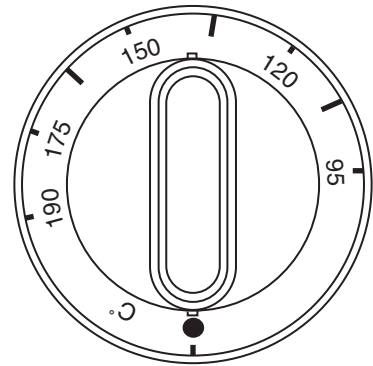
5. Ne pas secouer les produits panés au-dessus de la friture.

6. Maintenir le bassin de friture couvert quand il n'est pas utilisé. Cela empêchera l'air d'oxyder le produit à friture et les impuretés de tomber dedans.

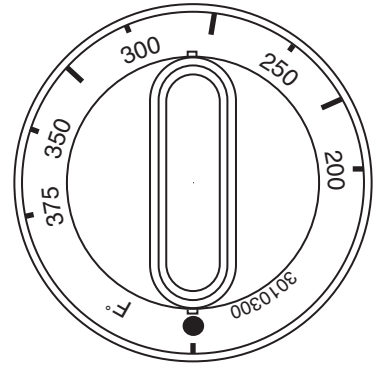
7. Observer les signes de décomposition du produit à friture. Un assombrissement inhabituel du produit ou de la fumée sont les premiers signes de décomposition. La formation de mousse, un changement de saveur inacceptable du produit et un encrassement indiquent également une décomposition du produit à friture.

8. Régler le thermostat à 200°F (93°C) pendant les périodes d'inactivité. Cela économisera l'énergie et prolongera la durée de vie du produit à friture.

Cadran Du Thermostat
Degres C



Cadran Du Thermostat
Degres F



Sécurité De Fonctionnement

Il est de la responsabilité du superviseur ou d'une personne équivalente de s'assurer que les utilisateurs de cet équipement portent des vêtements de protection adaptés et d'attirer leur attention sur le fait que certaines pièces deviennent très chaudes par nécessité et causeront des brûlures si on les touche.

Remplissage Du Bassin

Une fois que le bassin et les éléments chauffants ont été nettoyés, on peut remplir d'huile le bassin.

1. En cas d'utilisation de produit à friture liquide, remplir le bassin jusqu'à la marque «Full» estampée sur l'intérieur du bassin. Ne pas trop remplir le bassin.

2. En cas d'utilisation de produit à friture hydrogène ou solide, mesurer 30 livres (13,6 kg). Tasser le produit autour des éléments chauffants. Les éléments doivent être complètement couverts par le produit à friture. Allumer la friteuse et régler le thermostat à 250°F (121°C). Utiliser la friteuse à cette température jusqu'à ce que le produit à friture soit complètement fondu. Une température plus élevée peut faire brûler le produit.

3. Pour une durée de vie optimale du produit à friture, les fabricants recommandent de limiter la température maximale d'utilisation du produit à 375°F (190°C) sur les modèles S18F et à 350°F (177°C) sur les modèles S185F.

Instructions D'utilisation

Les friteuses série S18 sont équipées d'un système de sécurité de limitation de la température. Pour mettre en marche la friteuse :

1. Tourner le thermostat en position «OFF».
2. Soulever l'interrupteur à bascule en position de démarrage (action momentanée sur le haut).
3. Relâcher l'interrupteur. Il revient en position de fonctionnement. Le témoin vert devrait être allumé.
4. Tourner le thermostat sur la température souhaitée

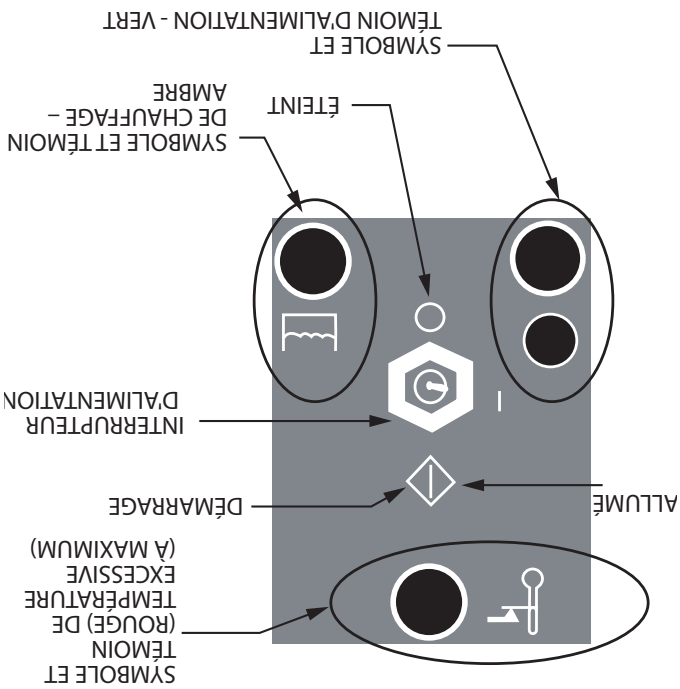
Coupure/Réenchèvement En Cas De Température Elevée

Cette friteuse Garland est équipée d'un thermostat secondaire de protection. Si le thermostat de fonctionnement ne contrôle pas la température, le thermostat secondaire (à maximum) prendra la relève. Il coupera l'alimentation électrique des éléments chauffants si le produit à friture atteint une température supérieure à 430°F (221°C). Le système ne peut pas être réenché avant que la température du produit à friture ne descende à environ 50°F (28°C). On peut réenché le système en répétant la procédure de démarrage.

Commandes

Dans ce cas, cela pourrait indiquer que le thermostat de service est endommagé. Demander à un technicien de service qualifié de vérifier la friteuse. Le fait de continuer d'utiliser la friteuse dans cet état causera la détérioration du produit à friture et de la qualité des produits alimentaires frits.

Panneau De Commande, Symboles Et Témoins



INSTALLATION suite

REMARQUE : Un moyen de coupure de l'alimentation avec une séparation des contacts d'au moins 3 mm (0,12 po) pour tous les pôles doit être intégré au câblage fixe.

Cet équipement est prévu pour une installation avec un câblage fixe permanent.

AVERTISSEMENT : Cet appareil doit être relié à la terre.

Connexion Mono Et Triphasée

Sauf indication contraire, toutes les frituses sont livrées de l'usine pour une connexion triphasée. Un schéma de câblage est fixé à l'arrière de chaque frituse. Vérifier visuellement toutes les connexions électriques. La frituse est câblée en usine comme spécifié sur la commande. S'il est nécessaire de modifier le phasage, se reporter au schéma de câblage.

Mise En Service

Vérifier que tous les disjoncteurs situés dans le compartiment inférieur sont réglés en position ON (1).

1 S'assurer que toutes les commandes sont en position d'arrêt et mettre l'appareil sous tension.

2. Activer l'appareil conformément aux instructions.

3. Vérifier que l'appareil fonctionne correctement et que l'alimentation électrique de chaque appareil ne chute pas de plus de 5 % quand toutes les sections sont activées simultanément.

Une fois le fonctionnement vérifié, tourner toutes les commandes en position d'arrêt. Laisser le présent manuel à l'acheteur pour qu'il le conserve et s'en serve pour une utilisation efficace et sécuritaire des appareils.

Préparation Avant Utilisation

Une fois que la frituse a été correctement installée et vérifiée pour être utilisée, il sera nécessaire de nettoyer le revêtement de protection du bassin de la façon suivante :

1. Débrancher l'alimentation électrique.

2. Retirer les paniers du bassin de friture.

3. Soulever la poignée des éléments jusqu'à ce que les éléments chauffants soient en position complètement levée.

4. Lever le bassin hors de la frituse pour le nettoyer. En cas d'utilisation d'un produit spécial de nettoyage du bassin de friture, suivre les instructions du fabricant. On peut utiliser une solution de savon, vinaigre ou bicarbonate de soude pour nettoyer le bassin. Rincer soigneusement le bassin avec de l'eau chaude propre et sécher parfaitement.

5. Remettre en place le bassin dans la frituse. Si le bassin a un robinet de vidange en option, vérifier que le robinet est bien fermé.

6. Avec les disjoncteurs et l'interrupteur à bascule de la frituse en position «Off», brancher l'alimentation électrique.

Déballage

- Sortir avec précaution l'appareil du carton. Le matériau emballant doit être retiré de l'appareil. Les matériaux de protection des surfaces en acier inoxydable doivent être retirés aussitôt après l'installation de l'appareil.
- Ne pas retirer les étiquettes, avertissements ou plaques signalétiques fixés de façon permanente car cela peut annuler les agréments et créer un danger.

Implantation

La friteuse doit être installée sur un sol solide, lisse et de niveau, conçu pour résister au poids de l'appareil et de l'équipement annexe. (Consulter la section Dimensions et spécifications pour les poids). Une fois que l'appareil est en place, vérifier qu'il est de niveau; la friteuse doit être de niveau entre l'avant et l'arrière, entre les côtés et en diagonale. Cette mise de niveau doit être effectuée avec l'appareil sous la hotte et dans sa position de fonctionnement normale. Ajuster si nécessaire.

Si la friteuse doit être montée sur une estrade, la base sur laquelle elle doit être placée doit être de niveau. Si ce n'est pas le cas, la friteuse doit être mise de niveau avec des cales.

Dégagements

L'espace dans lequel l'appareil doit être installé doit comprendre les dégagements minimum par rapport aux surfaces combustibles, comme indiqué dans le tableau suivant.

DÉGAGEMENT PAR RAPPORT AUX MATÉRIAUX COMBUSTIBLES	
Emplacement	Tous Les Modèles *
Haut	
Côté Gauche	1 Po (25mm)
Côté Droit	1 Po (25mm)
Arrière	1.5 Po (38mm)
Type De Plancher Ou Base	Combustible

* REMARQUE : L'équipement doit être installé sous une hotte de ventilation.

Un dégagement suffisant doit être prévu pour l'entretien, la ventilation et l'utilisation. L'appareil doit être tenu à l'écart des matériaux combustibles.

Appareils Équipés De Pieds

Sauf indication contraire, toutes les friteuses sont expédiées d'usine avec des pieds installés. Quand la friteuse doit être montée sur une estrade, elle est expédiée sans les pieds. Les pieds doivent être ajustés à une hauteur minimale de 6 po (152 mm) pour respecter les normes NSF.

Appareils Équipés De Roulettes

- Les roulettes avant de l'appareil seront équipées de freins pour limiter le déplacement de friteuses sans exercer aucun effort sur les connexions électriques.
- Le dispositif de retenue peut être fixé à l'appareil près de l'entrée du gaz. Si le dispositif est débranché, ne pas oublier de le rebrancher après remis le four dans sa position d'installation d'origine.

Ventilation

L'endroit où l'appareil est installé doit être convenablement ventilé afin de permettre l'admission d'air pour la combustion, l'évacuation des produits de combustion, etc. Ces produits doivent être installés sous une hotte de ventilation. On doit envisager d'utiliser un système d'extraction mécanique conforme aux codes locaux.

Un bon fonctionnement des ventilateurs d'extraction (vitesses, rotation et réglage corrects) est essentiel. En plus, il est recommandé d'avoir un système d'air d'appoint (C/VAC) pour alimenter la cuisine en air frais.

Tout système de ventilation tombera en panne s'il est mal entretenu. Le système de conduits, la hotte et les filtres doivent être nettoyés régulièrement et maintenus propres.

Alimentation Electrique

ATTENTION : Avant l'installation, vérifier l'alimentation électrique pour s'assurer que la tension d'entrée et les phases correspondent aux caractéristiques de l'équipement. Voir la plaque signalétique située à l'intérieur de la porte du meuble.

L'entrée d'alimentation est située à l'arrière. Le bornier d'alimentation est accessible depuis l'avant. L'alimentation électrique doit correspondre aux indications de la plaque signalétique pour la tension, les phases et l'intensité.

INSTALLATION

La série Garland E22 est conforme aux normes CSA C22.2 n° 109 – dernière édition et UL 197 – dernière édition. L'installation et le branchement de cet appareil doivent être conformes aux codes en vigueur. Au Canada - le Code électrique canadien, partie 1 et aux E—U. – le National Electrical Code.

Cet équipement neurt doit être installé et réglé par une personne compétente, conformément à la loi des autorités électriques locales. Le fait de ne pas installer correctement des appareils électriques pourrait entraîner des poursuites. Il est de votre propre intérêt et sécurité de vous assurer que la loi est respectée.

Votre concessionnaire ou agence de service agréée Garland sont parfaitement qualifiés pour fournir ce service. Des inspections périodiques par le concessionnaire ou une agence d'entretien qualifiée sont recommandées pour vérifier les températures et les réglages et s'assurer que les pièces mobiles fonctionnent correctement. Si possible, éviter de surchauffer l'équipement inutilement, car cela représente la principale cause de coûts de réparation.

Pour que l'appareil fonctionne correctement, les informations notées sur la plaque signalétique de votre nouvel appareil doivent correspondre à votre alimentation électrique. La plaque signalétique est d'accès facile et située à l'intérieur de la porte du meuble. Elle contient toutes les informations nécessaires requises par l'installateur.

En cas de questions concernant l'installation, l'utilisation, l'entretien ou la réparation de ce produit ou de tout autre produit Garland, écrire ou communiquer avec le département de service des produits. Pour correspondre avec l'usine ou le centre de service agréé local concernant des problèmes de réparation ou des pièces de rechange, bien faire référence à l'appareil avec le numéro de modèle correct (comprenant les lettres et chiffres du préfixe et du suffixe) et le numéro de série de garantie. La plaque signalétique fixée à l'appareil contient ces renseignements.

Plaque Signalétique

NOTER : les étiquettes et marques d'avertissement sur l'appareil, qui attirent l'attention sur les autres dangers et précautions nécessaires.

AVERTISSEMENT : Ces appareils ne doivent pas être nettoyés avec un jet d'eau.

Information Sur Le Produit

La friteuse est un des appareils les plus polyvalents que l'on trouve dans les cuisines actuelles. Grâce à sa capacité à cuire toute une gamme de produits en grandes quantités, c'est l'appareil le plus répandu et le plus économique. La friteuse série Restaurant de Garland est conçue pour être installée seule ou en batterie avec les cuisinières des séries S, SS et SU680 de Garland.

On peut cuire plus efficacement de grandes quantités d'aliments que de petites quantités. Le produit est cuit directement dans l'huile en utilisant les paniers en fil métallique relevables fournis.

INTRODUCTION suite

Dimensions Extérieures

Modèle	Hauteur*	Largeur	Profondeur	Poids
S18-(F,SF)	37-3/4 Po (959mm)	18 Po (457mm)	34-1/2 PO (876mm)	140Lb/64Kg

* Hauteur du rail au plancher

REMARQUE : Dimensions de hauteur avec pieds de 6 po (152 mm).

INTRODUCTION

Vous venez d'acheter le meilleur équipement commercial de cuisson au monde. Comme tout autre équipement fabriqué avec précision, il devra être nettoyé et entretenu de façon régulière. Il est nécessaire de lire attentivement les instructions suivantes car le fabricant ne peut pas être tenu pour responsable de dommages matériels ou corporels causés par une mauvaise installation ou utilisation de cet équipement.

Informations Générales

- 1 Vérifier si la caisse/le carton a été endommagé pendant le transport. Sortir avec précaution l'appareil du carton ou de la caisse et vérifier encore la présence de dommages. Tout dommage doit être immédiatement signalé au transporteur.
- 2 Le matériau de protection couvrant les pièces en acier inoxydable doit être retiré.
- 3 Toutes les friteuses sont expédiées d'usine avec des pieds ou roulettes installés, sauf indication contraire dans la commande.
- 4 Le type d'alimentation électrique pour lequel l'équipement a été fabriqué en usine est indiqué sur la plaque signalétique et l'emballage. On doit utiliser ce type d'alimentation.
- 5 Ne pas retirer les étiquettes, avertissements ou plaques signalétiques fixées de façon permanente car cela peut annuler les agréments et créer un danger.

Sécurité

Le présent manuel concerne les friteuses. Le lecteur/opérateur doit interpréter son contenu en fonction de ses besoins. En cas de problèmes d'interprétation de documents, contactez votre agence de service agréée ou notre service à clientèle au numéro de téléphone figurant sur la couverture du présent manuel.

L'installation de ces produits doit être faite par une personne qualifiée conformément aux codes locaux du pays de destination.

Toujours suivre les précautions de sécurité suivantes pour utiliser ces friteuses.

Ces unités ne doivent être utilisées que par une personne qualifiée. **NE PAS** utiliser sans avoir lu le présent manuel.

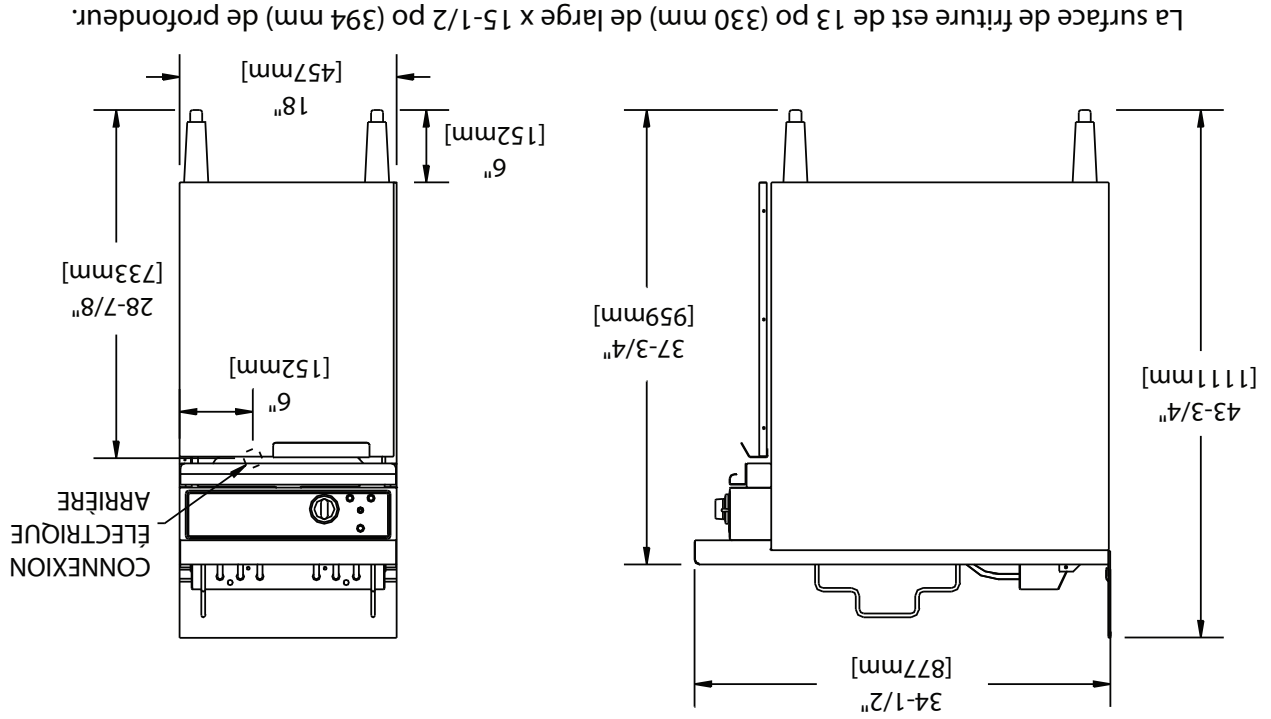
NE PAS utiliser l'appareil s'il n'a pas été correctement installé et relié à la terre.

NE PAS utiliser l'appareil si les panneaux d'entretien et d'accès ne sont pas en place et fixés correctement.

NE PAS essayer de réparer ou de remplacer n'importe quelle partie de ces appareils avant d'avoir débranché toutes les alimentations électriques.

AVERTISSEMENT : Pour éviter les blessures, faire très

attention, lors de l'installation, de l'utilisation et du nettoyage de cet appareil, à éviter tout contact avec les surfaces chaudes. Porter des vêtements de protection conviviales ou utiliser des ustensiles appropriés pour éviter les risques de brûlures.

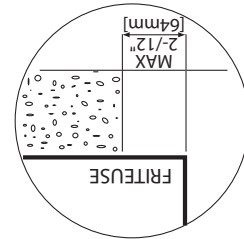


La surface de friture est de 13 po (330 mm) de large x 15-1/2 po (394 mm) de profondeur.

Capacité De Production (Par Heure)	
Modèle	Frites
S18F	Congelées À Cuites 50 lbs./23kg
S18SF	Congelées À Cuites 60 lbs./27kg

La surface de friture est de 13 po (330 mm) de large x 15-1/2 po (394 mm) de profondeur.

Dégagements D'installation :
Côtés : 1 po (25 mm) Arrière : 1-1/2 po (38 mm).
REMARQUE : Il existe de nombreux codes locaux et il est de la responsabilité du propriétaire et de l'installateur de respecter ces codes.



INSTALLATION SUR ESTRADE :

Modèle	Total kW		Intensité Nominale Par Ligne							
	220/380V	240/415V	1Ø	1Ø	1Ø	220/380/3Ø	240/415V/3Ø			
S18F	10.1	12	50	46.2	50	15.4	15.4	15.4	16.7	16.7
S18SF	13.4	16	66.7	61.1	66.7	17.2	26.7	17.2	18.8	29.2

Modèle	Total kW	208V/1Ø		Intensité Nominale Par Ligne						
		240V/1Ø	208V/3Ø	240V/3Ø	X	Y	Z	X	Y	Z
S18F	12	58	50	34	34	34	28.9	28.9	28.9	28.9
S18SF	16	77	66.7	49	38	49	41.8	41.8	41.8	32.5

DIMENSIONS ET SPÉCIFICATIONS

TABLE DES MATIÈRES

2	INFORMATIONS IMPORTANTES
4	DIMENSIONS ET SPÉCIFICATIONS
5	Dimensions Extérieures
5	INTRODUCTION
5	Informations Générales
5	Sécurité
6	Plaque Signalétique
6	Information Sur Le Produit
6	INSTALLATION
7	Déballage
7	Implantation
7	Dégagements
7	Appareils Équipés De Pieds
7	Appareils Équipés De Roulettes
7	Ventilation
7	Alimentation Electrique
8	Connexion Mono Et Triphasée
8	Mise En Service
8	Préparation Avant Utilisation
9	UTILISATION
9	Remplissage Du Bassin
9	Instructions D'utilisation
9	Couper/Réenchèvement En Cas De Température Elevée
9	Commandes
10	Sécurité De Fonctionnement
10	Suggestion Pour Des Aliments Frits De Qualité
11	ENTRETIEN ET NETTOYAGE
11	Produit À Friture
11	Acier Inoxydable
11	Surfaces Emailées/Peintes
11	Étalonnage Du Thermostat
11	Entretien
11	Sécurité

AVERTISSEMENT :
Ce produit contient des produits chimiques reconnus par l'état de Californie comme causant le cancer et/ou des malformations congénitales ou d'autres problèmes de reproduction. L'installation et l'entretien de ce produit peut vous exposer aux poussières de laine de verre/fibres céramiques. L'inhalation de ces particules de laine de verre ou de fibres céramiques est reconnue par l'état de Californie comme causant le cancer.

185 East South Street
Freehold, Pennsylvanie 18224
Téléphone : (570) 636-1000
Télécopieur : (570) 636-3903

GARLAND COMMERCIAL INDUSTRIES, LLC

1177 Kamato Road, Mississauga, Ontario L4W 1X4
CANADA
Téléphone : 905-624-0260
Télécopieur : 905-624-5669

GARLAND COMMERCIAL RANGES, LTD.

Nous attirons l'attention des utilisateurs sur le fait que l'entretien et les réparations doivent être exécutés uniquement par une entreprise agréée Garland utilisant des pièces de rechange d'origine Garland. Garland décline toute responsabilité pour les produits incorrectement installés, réglés, utilisés ou entretenus sans respecter les codes nationaux et locaux, ni les instructions d'installation fournies avec le produit ou pour tout produit dont le numéro de série a été modifié, abîmé, effacé ou supprimé ou pour tout produit modifié ou réparé par des agents de service non autorisés. Pour obtenir une liste des agences de service agréées, contacter le site web de Garland à l'adresse www.garland-group.com. Les informations contenues dans le présent manuel (y compris les spécifications de conception et des pièces) peuvent être modifiées à tout moment et sans préavis.

AVERTISSEMENT :
UNE INSTALLATION, DES RÉGLAGES, DES MODIFICATIONS, DES RÉPARATIONS OU UN ENTRETIEN MAL FAITS PEUVENT CAUSER DES DOMMAGES MATÉRIELS, DES BLESSURES OU LA MORT. LIRE SOIGNEUSEMENT LES INSTRUCTIONS D'INSTALLATION, D'UTILISATION ET D'ENTRETIEN AVANT D'INSTALLER OU DE RÉPARER L'ÉQUIPEMENT.

POUR VOTRE SÉCURITÉ :
NE PAS STOCKER NI UTILISER D'ESSENCE OU D'AUTRES VAPEURS OU LIQUIDES INFLAMMABLES À PROXIMITÉ DE CET APPAREIL OU DE TOUT AUTRE APPAREIL.

LIRE TOUTES LES SECTIONS DU PRÉSENT MANUEL ET LE CONSERVER POUR S'Y REPORTER ULTÉRIEUREMENT.
CE PRODUIT A ÉTÉ HOMOLOGUÉ EN TANT QU'ÉQUIPEMENT PROFESSIONNEL DE CUISSON ET DOIT ÊTRE INSTALLÉ PAR DU PERSONNEL PROFES- SIONNEL TEL QUE SPÉCIFIÉ.
L'INSTALLATION ET LES CONNEXIONS ÉLECTRIQUES DEVRONT ÊTRE CONFORMES AUX CODES EN VIGUEUR : AU CANADA – LE CODE CANADIEN DE L'ÉLECTRICITÉ, PARTIE 1 ET/OU LES CODES LOCAUX, AUX É.-U. – LE NATIONAL ELECTRICAL CODE ANSI / NFPA – ÉDITION EN VIGUEUR.
VÉRIFIER QUE L'ALIMENTATION ÉLECTRIQUE EST CONFORME AUX CARACTÉRISTIQUES ÉLECTRIQUES FIGURANT SUR LA PLAQUE SIGNALÉTIQUE.



MANUEL D'INSTALLATION ET D'UTILISATION GARLAND SÉRIE S18-F ET S18-SF FRITUSES DE RESTAURANT



Free Manuals Download Website

<http://myh66.com>

<http://usermanuals.us>

<http://www.somanuals.com>

<http://www.4manuals.cc>

<http://www.manual-lib.com>

<http://www.404manual.com>

<http://www.luxmanual.com>

<http://aubethermostatmanual.com>

Golf course search by state

<http://golfingnear.com>

Email search by domain

<http://emailbydomain.com>

Auto manuals search

<http://auto.somanuals.com>

TV manuals search

<http://tv.somanuals.com>