



INSTALLATION AND OPERATION MANUAL HE SERIES HIGH EFFICIENCY RADIANT CHAR-BROILER



Français Page 11
Español Página 21



<p>FOR YOUR SAFETY: DO NOT STORE OR USE GASOLINE OR OTHER FLAMMABLE VAPORS OR LIQUIDS IN THE VICINITY OF THIS OR ANY OTHER APPLIANCE</p>
<p>WARNING: IMPROPER INSTALLATION, ADJUSTMENT, ALTERATION, SERVICE OR MAINTENANCE CAN CAUSE PROPERTY DAMAGE, INJURY, OR DEATH. READ THE INSTALLATION, OPERATING AND MAINTENANCE INSTRUCTIONS THOROUGHLY BEFORE INSTALLING OR SERVICING THIS EQUIPMENT</p>

PLEASE READ ALL SECTIONS OF THIS MANUAL AND RETAIN FOR FUTURE REFERENCE.

THIS PRODUCT HAS BEEN CERTIFIED AS COMMERCIAL COOKING EQUIPMENT AND MUST BE INSTALLED BY PROFESSIONAL PERSONNEL AS SPECIFIED.

IN THE COMMONWEALTH OF MASSACHUSETTS THIS PRODUCT MUST BE INSTALLED BY A LICENSED PLUMBER OR GAS FITTER.

For Your Safety:

Post in a prominent location, instructions to be followed in the event the user smells gas. This information shall be obtained by consulting your local gas supplier.

Users are cautioned that maintenance and repairs must be performed by a Garland authorized service agent using genuine Garland replacement parts. Garland will have no obligation with respect to any product that has been improperly installed, adjusted, operated or not maintained in accordance with national and local codes or installation instructions provided with the product, or any product that has its serial number defaced, obliterated or removed, or which has been modified or repaired using unauthorized parts or by unauthorized service agents. For a list of authorized service agents, please refer to the Garland web site at <http://www.garland-group.com>. The information contained herein, (including design and parts specifications), may be superseded and is subject to change without notice.

GARLAND COMMERCIAL INDUSTRIES, LCC
185 East South Street
Freeland, Pennsylvania 18224
Phone: (570) 636-1000
Fax: (570) 636-3903

GARLAND COMMERCIAL RANGES, LTD.
1177 Kamato Road, Mississauga, Ontario L4W 1X4
CANADA
Phone: 905-624-0260
Fax: 905-624-5669

IMPORTANT INFORMATION

WARNING:

This product contains chemicals known to the state of california to cause cancer and/or birth defects or other reproductive harm. Installation and servicing of this product could expose you to airborne particles of glass wool/ceramic fibers. Inhalation of airborne particles of glass wool/ceramic fibers is known to the state of california to cause cancer. Operation of this product could expose you to carbon monoxide if not adjusted properly. Inhalation of carbon monoxide is known to the state of california to cause birth defects or other reproductive harm.

Keep appliance area free and clear of combustibles.

TABLE OF CONTENTS

IMPORTANT INFORMATION.....	2
DIMENSIONS AND SPECIFICATIONS	4
INTRODUCTION.....	5
Rating Plate.....	5
INSTALLATION	5
General Installation	5
Clearances.....	5
Positioning and Setup.....	6
Air Supply and Ventilation.....	6
Gas Connection.....	6
Manual Shut-Off Valve	6
Pressure Regulator	6
Rigid Connections	7
Flexible Couplings & Connectors	7
Manual Pilot Valve	7
Start Up	7
Shut Down	7
CLEANING AND MAINTENANCE.....	8
Daily	8
Periodic	8
Cleaning Stainless Steel	8
Final Preparation.....	8
SERVICE AND PARTS	9

DIMENSIONS AND SPECIFICATIONS

Model #	Dimensions: In. (mm)			No. Of Burners	Total BTU*		Gas Broiling Grid: In. (mm)	
	Width	Depth	Height		Natural	Propane	Width	Depth
HEEE-24CL	24(610)	37-1/4(946)	17-13/16(453)	4	54,000	50,000	20-1/8 (511)	23-1/2(597)
HEEE-36CL	34(864)	37-1/4(946)	17-13/16(453)	6	70,000	72,000	30-1/8(765)	23-1/2(597)
HEEE-48CL	48(1219)	37-1/4(946)	17-13/16(453)	9	105,000	105,000	44-1/8(1121)	23-1/2(597)
HEEE-60CL	58(1473)	37-1/4(946)	17-13/16(453)	11	115,000	138,000	54-1/8(1375)	23-1/2(597)

* Manifold operating pressure as per table shown below
Gas Manifold 3/4" NPT on all model

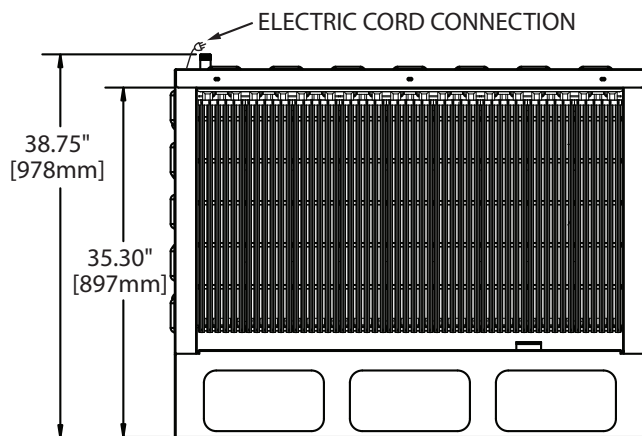
Garland/U.S. Range products are not approved or authorized for home or residential use, but are intended for commercial applications only.

Garland / U.S. Range will not provide service, warranty, maintenance, or support of any kind other than in commercial applications.

Many local codes exist and it is the responsibility of the owner and installer to comply with those codes.

SHIPPING INFORMATION	
MODEL	Weight Lbs/Kg
HEEE-24CL	338/153
HEEE-36CL	391/177
HEEE-48CL	505/229
HEEE-60CL	620/281

Models	Manifold Operating Pressure		Minimum Supply Pressure	
	Natural Gas	Propane	Natural Gas	Propane
	"w.c.(Mbar)	"w.c.(Mbar)	"w.c.(Mbar)	"w.c.(Mbar)
All Models	4.0(10)	10.0(25)	5.0(12.5)	11(27.5)

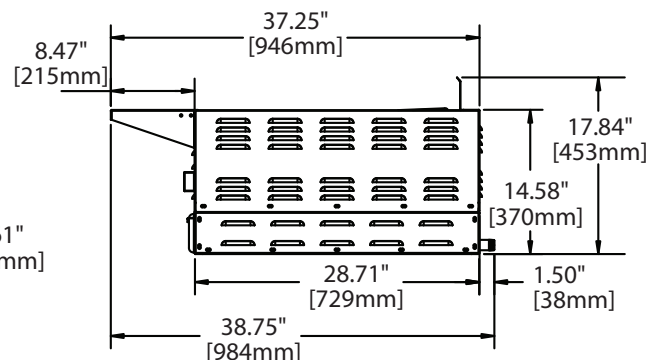
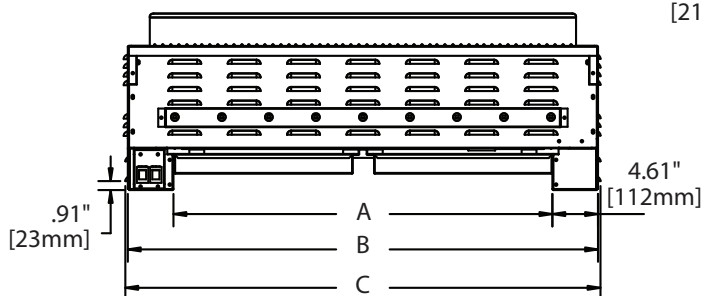


Width Measurements In (mm)			
Model	A	B	C
HEEE-24CL	14.28 (363)	23.50 (597)	24.00 (610)
HEEE-36CL	24.38 (721)	33.50 (851)	34.00 (864)
HEEE-48CL	38.28 (972)	47.50 (1206)	48.00 (1219)
HEEE-60CL	48.28 (1226)	57.50 (1460)	58.00 (1473)

Electrical : 120V, 60 Hz 15 Amp

Supplied with NEMA 5-15 P Power Cord

NOTE: Wiring Diagram is located in right side of broiler's leg section.



INTRODUCTION

Garland manufactures the HE Series char-broiler with widths ranging from 24" (610mm) to 58" (1473mm). While service and customer operation may vary from model to model, installation is similar throughout the line.

All units are shipped completely assembled, with top grates and radiants banded to skid in separate boxes, any loose parts are secured in place with masking tape or tie cords, and the pressure regulators (and ceramic coals, if applicable) packed inside the unit. All units are adjusted, tested, and inspected at the factory prior to shipment.

IMPORTANT: After uncrating, immediately check the equipment for visible signs of shipping damage. If such damage has occurred, do not refuse shipment, but contact the shipper and file the appropriate freight claims.

Rating Plate

The rating plate is attached to the front left inside broiler channel leg support.

Information on this plate includes the model and serial numbers. When communicating with the factory about a unit or requesting special parts or information, this data is essential for proper identification. Other information on this plate is the BTU/hr input to the burners, outlet gas pressure in inches WC, and whether orificed for natural or propane gas.

In the event you have any questions concerning the installation, use, care or service of the product, write or call our Product Service Department.

WARNING: All Garland Char-Broilers must be connected only to the type of gas identified on the rating plate!

INSTALLATION

General Installation

IMPORTANT: Safe and satisfactory operation of your equipment depends, to a great extent, on its proper installation. Installation must conform to local codes or, in the absence of local codes with the National Fuel Code, ANSI Z223.1 Natural Gas Installation Code, CAN/CGA -B149.1, or the Propane Installation Code, CAN/CGA-B149.2, as applicable.

1. Installation of the equipment should be made by a licensed plumber.
2. A manual gas shut-off valve must be installed in the gas supply line ahead of the appliance for safety and for ease of future service.
3. A gas pressure regulator must be installed at the appliance prior to connecting the equipment to the gas line. This unit is shipped with a regulator. Failure to install a regulator will void the equipment warranty.
4. When mounting onto counter or optional HEST stand seal the broiler to the flat surface with silicone. A NSF code requirement in many areas.

Clearances

HE Series

The appliance area must be kept free and clear of all combustibles. Adequate clearance must be provided for air openings into the combustion chamber and for proper air supply.

These units are design-certified for the following installations:

1. Intended for other than household use.
2. For use in non-combustible locations only.

COMBUSTIBLE CONSTRUCTION		NONCOMBUSTIBLE CONSTRUCTION	
Rear	6" (152mm)	Rear	0"
Sides	6" (152mm)	Sides	0"

INSTALLATION Continued

Positioning and Setup

Some form of mechanical assistance will be required to position these broilers, as the smallest weighs 338 lbs (153 kg) and the larger sizes weigh 620 lbs (281 kg). A pallet or lift jack will also make leveling easier, as these units are designed to sit flush on a counter, do not have adjustable legs or feet, and leveling is with shims and repeated fitting.

Inside the unit, the char-broilers use cast tubular burners with cast iron radiants, which are secured to the burner hangers to stop vibration and damage during shipping. Once free, double-check that the burners are positioned squarely in the notches of the back burner holder. If they are out of position, the burner will not work properly.

Air Supply and Ventilation

The area around the appliance must be kept clear to avoid any obstruction to the flow of combustion and ventilation air, as well as, for ease of maintenance and service.

Means must be provided for any commercial, heavy-duty cooking appliance to exhaust combustion waste products to the outside of the building. This is doubly important for open grate broilers, since the design promotes grease and fat dripping through onto hot radiants sending smoke back up onto the product as seasoning. This smoke then continues either up to the ceiling or to an exhaust hood. **Garland Char-Broilers must be under a vent hood!** Filters and drip troughs should be part of any industrial hood, but consult local codes before constructing and installing a hood.

Air movement should be checked during installation, strong exhaust fans in the hood or in the overall system can produce a vacuum in the room and/or cause air drafts. Either of which can interfere with the burner performance and be difficult to diagnose. If burner problems persist, make-up air openings or baffles may have to be provided in the room. Any adjustments to air movement should be performed or inspected by a qualified technical installer. Maintain and do not block the appliances designed air openings.

Gas Connection

NOTE: The gas supply (service) line must be the same size or greater than the inlet line of the appliance. Garland Char-Broilers use a 3/4" NPT inlet. Sealant on all pipe joints must be resistive to LP gas.

The appliance and its individual shut-off valve must be disconnected from the gas supply piping system during any pressure testing of that system at test pressures in excess of 1/2 psi (3.45 kPa).

The appliance must be isolated from the gas supply piping system by closing its individual manual shut-off valve during any pressure testing of the gas supply piping system at test pressures equal to or less than 1/2 psi (3.45 kPa).

Manual Shut-Off Valve

The Manual Shut-Off Valve is supplied by the installer, it must be installed in the gas service line ahead of the appliance and regulator in the gas stream and in a position where it can be reached quickly in the event of an emergency.

Pressure Regulator

All heavy-duty, commercial cooking equipment must have a pressure regulator in the incoming service line for safe and efficient operation, since service pressure may fluctuate with local demand. The manual shut-off valve is normally supplied by the installer, but pressure regulators are shipped from Garland with every Char-Broiler.

Regulators are pre-set at the factory for 4"WC (natural gas) or 10"WC (propane) according to the customer's ordering instructions. Adjust regulator to manifold operating pressure as per rating plate.

Prior to connecting the regulator, check the incoming line pressure, as these regulators can withstand a maximum pressure of 1/2 psi (14"WC). If the Line pressure is beyond this limit, a step-down regulator will be required. Double-check the arrow forged onto the bottom of the regulator body which shows gas flow directions; it should point downstream to the appliance. The red air-vent cap is part of the regulator and should not be removed unless local codes require external venting.

Regulators can be adjusted in the field, but it is recommended that they not be tampered with unless that part is known to be out of adjustment or serious pressure fluctuations are found to exist and can be solved no other way. Any adjustments to regulators must be made by qualified service personnel with the proper test equipment.

If a vent line from the gas appliance pressure regulator is used, it should be installed to the outdoors in accordance with local codes or, in the absence of local codes, with the National Fuel code, ANSI Z223.1, Natural Gas Installation Code, CAN/CGA-B149.1 or the Propane Installation Code, CAN/CGA-B149.2, as applicable.

WARNING: Failure to install a pressure regulator will void the equipment warranty!

INSTALLATION Continued

Rigid Connections

Double-check any installer-supplied intake pipes visually and clear any dirt particles, threading chips, or other foreign matter before installing in a service line. Those particles will clog orifices when gas pressure is applied.

Flexible Couplings & Connectors

If the unit is to be installed with flexible couplings and/or quick-disconnect fittings, for an appliance equipped with casters, the installation shall be made with a heavy duty, AGA design-certified commercial flexible connector or at least 3/4" NPT (with suitable strain relief) in compliance with the Standard for Connectors for Moveable Gas Appliances, ANSI Z21.69/CSA 6.16, Addenda Z21.69B-2006/CSA 6.16B-2006 (or latest edition), and a quick-disconnect device that complies with the Standard for Quick Disconnects for Use with Gas Fuel, ANSI Z21.41/CSA 6.9, Addenda Z21.41A-2005/CSA 6.16A-2005 (or latest edition), and adequate means must be provided to limit the movement of the appliance without depending on the connector and the quick-disconnect device or its associated piping to limit the appliance movement and the location(s) where the restraining means may be attached to the appliance shall be specified.

Further, if the unit is to be installed on a non-combustible surface that is equipped with casters, means must be provided to limit the movement of the unit with casters.

Manual Pilot Valve

Check all gas connections for leaks using a soapy solution before lighting any pilots! DO NOT USE AN OPEN FLAME TO CHECK FOR LEAKS! Putting an open flame beside a new connection is not only dangerous, but will often miss small leaks that a soapy solution would find.

All Garland appliances are adjusted and tested before leaving the factory, effectively matching them to sea level conditions. Adjustments and calibrations to assure proper operation may be necessary on installation to meet local conditions, low gas pressure, differences in altitude, variations in gas characteristics, to correct possible problems caused by rough handling or vibration during shipment, and are to be performed only by qualified service personnel.

These adjustments are the responsibility of the customer, installer and/or dealer and are not covered by the Garland warranty.

All burners are equipped with continuous electronic spark electrodes to insure flame is on at all times during operation. Continuous sparking is intended to remain energized until power is manually switched off.

WARNING: All connections must be sealed with a joint compound suitable for LP gas, and all connections must be tested with a soapy solution before lighting any pilots!

Start Up

Before initial lighting or if unit does not operate at all check to see if:

1. Main gas supply shut off to appliance is open.
2. Electric power supply power and cord Nema 5-15P has been plug into an appropriate 120V 15Amp 60Hz outlet.

For daily start up:

1. Models HEEE-24CL and HEEE-36CL have one power switch. Once pushed to the "ON" position an igniter supplies a continuous spark to the burners igniting the gas to all burners simultaneously. At the same time the power switch opens up the gas flow to burners.
2. Models HEEE-48CL and HEEE-60CL have two power switches which operate in the same manner as the single switch above. Each switch operates separately allowing the operator to run two sections of the broiler independently. On the HEEE-48CL the switch on the far left operates burners 1 to 5. The power switch on the right will operate burners 6 to 9. On the HEEE-60CL the left switch controls burners 1 to 6 and the right switch controls burners 7 to 11.
3. If burners do not ignite, shutdown power to the unit, and wait 5 minutes before repeating ignition. If repeated ignition fails, shutdown power to the unit and contact a service person.
4. Your broiler is an energy saving unit, all burners are pre-set at the factory to run at a consistent steady flame. No adjustment should be attempted by the operator.

Shut Down

1. For shutting down overnight, on all models turn the power switch(es) to the "OFF" position.

INSTALLATION Continued

2. When shutting down for longer periods, turn the power switch(es) to the "OFF" position and turn the manual supply shut off valve to the "OFF" position.

Final Preparation

New units are wiped clean with solvent at the factory to remove any visible signs of dirt, oil, grease, etc., remaining from the manufacturing process. They should be washed with hot, soapy water to remove any solvent or oil residue or installation dust or debris before using for food preparation.

CLEANING AND MAINTENANCE

Any piece of equipment works better and lasts longer when maintained properly and kept clean. Cooking equipment is no exception. Your Garland Char-Broiler must be kept clean during the working day and thoroughly cleaned at the end of each day.

WARNING: If gas odors are detected, the gas supply must be turned "OFF" at the main shut-off valve and the local gas company or authorized service agency contacted for service.

NOTE: A wire brush is supplied with your broiler for cleaning your rack. The solid stainless steel tooth side of the brush is for hard to remove debris and the reverse wire bristles side is for finer materials.



Daily

1. Remove the broiler grates. Wire brush them clean of any encrusted materials and wash in hot, soapy water. A common cleaning practice is to turn grates upside-down to burn off encrusted material. Do not do this with the radiant char-broiler! The flame from the burner is shielded by a cast iron radiant, with the result that heat not flame reaches the grate. It is likely that cooked-on-matter will cook in even deeper rather than burn off.

2. Remove the radiants and wire brush them clean, then wash in hot soapy water. A rule of thumb is that if the grates are becoming encrusted, so are the radiants.
3. Spills should be wiped as they occur. At the end of the day drip tray pans should be washed in hot soapy water, replacing the trays once cleaned. DO NOT operate the broiler with out the drip trays.

Periodic

Your Garland Char-Broiler should be checked and adjusted periodically by qualified service personnel as part of a regular kitchen maintenance program.

Cleaning Stainless Steel

All stainless steel body parts should be wiped regularly with hot, soapy water during the day, and with a liquid cleaner designed for this material at the end of each day. Do not use steel wool, abrasive cloths, cleaners, or powders! If it is necessary to scrape stainless steel to remove encrusted materials, soak the encrusted area with wet cloths to loosen the material, then use a wood or nylon scraper. Do not use a metal knife, spatula, or any other metal tools to scrape stainless steel. Scratches are almost impossible to remove.

SERVICE AND PARTS

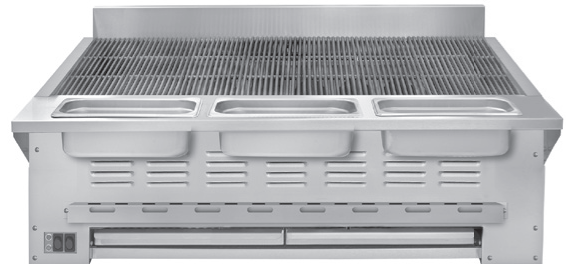
Installation, maintenance and repairs should be performed by your local authorized Garland service agency listed in your information manual pamphlet.

Garland/U.S. Range products are not approved or authorized for home or residential use, but are intended for commercial applications only. Garland / U.S. Range will not provide service, warranty, maintenance or support of any kind other than in commercial applications.



MANUEL D'UTILISATION ET D'INSTALLATION

LE GRIL TYPE CHARBON DE BOIS HAUTE EFFICACITE SERIE HE



POUR VOTRE SÉCURITÉ:
**NE PAS STOCKER NI UTILISER D'ESSENCE
OU D'AUTRES VAPEURS OU LIQUIDES
INFLAMMABLES À PROXIMITÉ DE CET
APPAREIL OU DE TOUT AUTRE APPAREIL**

AVERTISSEMENT
**UNE INSTALLATION, DES RÉGLAGES, DES
MODIFICATIONS, DES RÉPARATIONS OU UN
ENTRETIEN MAL FAITS PEUVENT CAUSER
DES DOMMAGES MATÉRIELS, DES BLES-
SURES OU LA MORT. LIRE SOIGNEUSEMENT
LES INSTRUCTIONS D'INSTALLATION,
D'UTILISATION ET D'ENTRETIEN
AVANT D'INSTALLER OU DE RÉPARER
L'ÉQUIPEMENT.**

LIRE TOUTES LES SECTIONS DU PRÉSENT
MANUEL ET LE CONSERVER POUR S'Y REPORTER
ULTÉRIEUREMENT.

CE PRODUIT A ÉTÉ HOMOLOGUÉ EN TANT
QU'ÉQUIPEMENT PROFESSIONNEL DE CUISSON
ET DOIT ÊTRE INSTALLÉ PAR DU PERSONNEL
PROFESSIONNEL TEL QUE SPÉCIFIÉ.

DANS L'ÉTAT DU MASSACHUSETTS, CE PRODUIT
DOIT ÊTRE INSTALLÉ PAR UN PLOMBIER OU UN
MONTEUR D'INSTALLATION AU GAZ.

Pour votre sécurité
Placer dans un endroit bien en vue les instruc-
tions à suivre en cas d'odeur de gaz détectée par
l'utilisateur. Cette information peut être obtenue
auprès du fournisseur de gaz local.

L'attention des utilisateurs est attirée sur le fait que l'entretien et les réparations doivent être effectués par un agent d'entretien autorisé par Garland utilisant des pièces de rechange d'origine Garland. Garland n'aura aucune obligation en ce qui concerne n'importe quel produit mal installé, réglé, utilisé ou qui n'aurait pas été entretenu conformément aux codes nationaux et locaux ou aux instructions d'installation fournies avec le produit ou n'importe quel produit dont le numéro de série aurait été mutilé, oblitéré ou supprimé ou qui aurait été modifié ou réparé avec des pièces non autorisées ou par des agents d'entretien non autorisés. Pour obtenir la liste des agents de service autorisés, consulter le site web de Garland à : <http://www.garland-group.com>. Les renseignements contenus dans le présent document (y compris la conception et les spécifications des pièces) peuvent être remplacés ou modifiés sans préavis.

GARLAND COMMERCIAL INDUSTRIES, LLC
185 East South Street
Freeland, Pennsylvania 18224
Téléphone : (570) 636-1000
Télécopieur : (570) 636-3903

GARLAND COMMERCIAL RANGES, LTD.
1177 Kamato Road, Mississauga, Ontario L4W 1X4
CANADA
Téléphone : 905-624-0260
Télécopieur : 905-624-5669

INFORMATIONS IMPORTANTES

AVERTISSEMENT

Ce produit contient des produits chimiques reconnus par l'état de Californie comme causant le cancer et/ou des malformations congénitales ou d'autres problèmes de reproduction. L'installation et l'entretien de ce produit peut vous exposer aux poussières de laine de verre/fibres céramiques. L'inhalation de ces particules de laine de verre ou de fibres céramiques est reconnue par l'état de Californie comme causant le cancer. L'utilisation de ce produit peut vous exposer au monoxyde de carbone en cas de mauvais réglage. L'inhalation de monoxyde de carbone est reconnue par l'état de Californie comme pouvant causer des malformations congénitales ou d'autres problèmes reproductifs.

**Maintenir les abords de l'appareil
dégagés et ne pas y stocker de produits combustibles**

TABLE DES MATIÈRES

INFORMATIONS IMPORTANTES	12
DIMENSIONS ET SPÉCIFICATIONS	14
INTRODUCTION	15
Plaque Signalétique.....	15
INSTALLATION	15
Installation Générale	15
Dégagements	15
Positionnement Et Installation	16
Alimentation En Air Et Ventilation.....	16
Connexion Du Gaz	16
Robinet D'arrêt Manuel	16
Régulateur De Pression.....	16
Connexions Rigides	17
Raccords Et Connecteurs Souples.....	17
Robinet Manuel Des Veilleuses	17
Démarrage	17
ENTRETIEN ET NETTOYAGE	18
Arrêt	18
Préparation Finale	18
Chaque Jour	19
Périodique.....	19
Nettoyage De L'acier Inoxydable	19
PIÈCES DE RECHANGE ET RÉPARATION	19

DIMENSIONS ET SPÉCIFICATIONS

Modèle	Dimensions : Po (mm)			Nb de brûleurs	Total BTU*		Gril de cuisson au gaz Po (mm)	
	Largeur	Profondeur	Hauteur		Naturel	Propane	Largeur	Profondeur
HEEE-24CL	24(610)	37-1/4(946)	17-13/16(453)	4	54,000	50,000	20-1/8 (511)	23-1/2(597)
HEEE-36CL	34(864)	37-1/4(946)	17-13/16(453)	6	70,000	72,000	30-1/8(765)	23-1/2(597)
HEEE-48CL	48(1219)	37-1/4(946)	17-13/16(453)	9	105,000	105,000	44-1/8(1121)	23-1/2(597)
HEEE-60CL	58(1473)	37-1/4(946)	17-13/16(453)	11	115,000	138,000	54-1/8(1375)	23-1/2(597)

* Pression de fonctionnement du collecteur comme sur le tableau ci-dessous

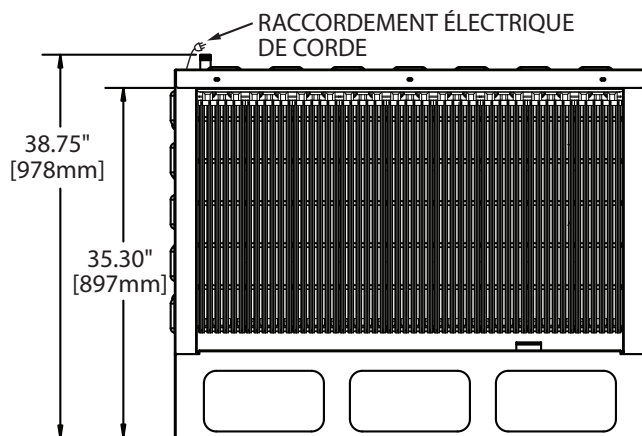
Collecteur de gaz de 3/4 po NPT sur tous les modèles

Les produits Garland/U.S. Range ne sont pas agréés ni autorisés pour une utilisation personnelle ou résidentielle, mais sont destinés à des applications commerciales seulement. Garland / U.S. Range n'offre pas de services de réparation, garantie, entretien ou soutien de n'importe quelle sorte pour des applications autres que commerciales.

Il existe de nombreux codes locaux, et il est de la responsabilité du propriétaire et de l'installateur de respecter ces codes.

Informations D'expédition	
MODÈLE	Poids Lb/Kg
HEEE-24CL	338/153
HEEE-36CL	391/177
HEEE-48CL	505/229
HEEE-60CL	620/281

Modèles	Pression De Fonctionnement Du Collecteur		Pression Mini. D'alimentation	
	Gaz Naturel	Propane	Gaz Naturel	Propane
	Po CE (Mbar)	Po CE (Mbar)	Po CE (Mbar)	Po CE (Mbar)
All Models	4.0(10)	10.0(25)	5.0(12.5)	11(27.5)

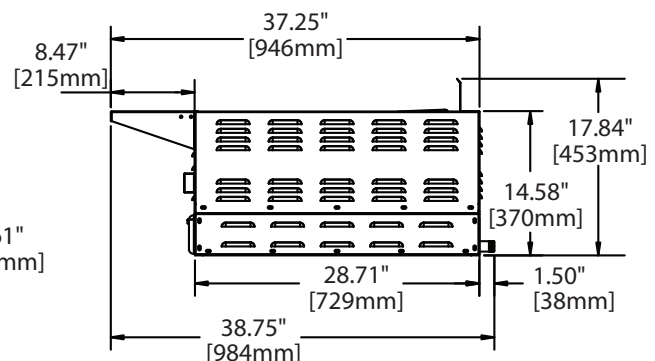
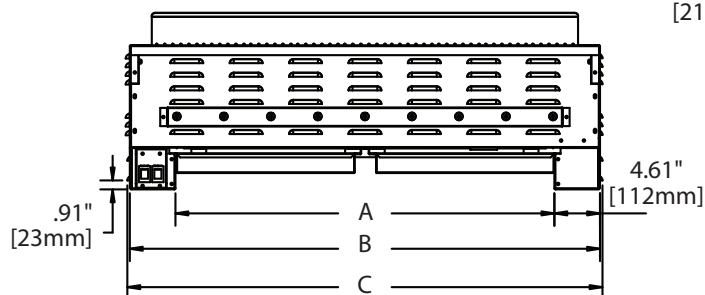


Mesures de largeur po (mm)			
MODÈLE	A	B	C
HEEE-24CL	14.28 (363)	23.50 (597)	24.00 (610)
HEEE-36CL	24.38 (721)	33.50 (851)	34.00 (864)
HEEE-48CL	38.28 (972)	47.50 (1206)	48.00 (1219)
HEEE-60CL	48.28 (1226)	57.50 (1460)	58.00 (1473)

Électricité : 120 V/60 Hz/15 A

Livré avec cordon d'alimentation NEMA 5-15 P

REMARQUE : Le schéma de câblage est situé du côté droit de la section du pied du gril.



INTRODUCTION

Garland fabrique le gril type charbon de bois série HE avec des largeurs allant de 24 po (610 mm) à 58 po (147 mm). Même si les réparations et l'utilisation par le client peuvent varier selon les modèles, l'installation est similaire pour toute la gamme.

Tous les appareils sont livrés complètement montés avec les grilles supérieures et les radiants liés au plateau dans des boîtes séparées; toutes les pièces détachées sont fixées en place avec du ruban cache ou des attaches et les régulateurs de pression (ainsi que les boulets céramiques, le cas échéant) sont emballés à l'intérieur de l'appareil. Tous les appareils sont ajustés, testés et inspectés en usine avant l'expédition.

IMPORTANT : Après le déballage, vérifier immédiatement les signes de dommages dus au transport sur l'équipement. En cas de dommages, ne pas refuser l'expédition, mais contacter l'expéditeur et remplir les réclamations de transport appropriées.

Plaque Signalétique

La plaque signalétique est fixée au support avant gauche de pied du gril.

Les informations de cette plaque comprennent les numéros de modèle et de série. Pour communiquer avec l'usine à propos d'un appareil ou pour demander des pièces spéciales ou des renseignements, ces données sont essentielles pour identifier l'appareil. Les autres informations figurant sur cette plaque sont les suivantes : débit calorifique des brûleurs en BTU/h, pression de sortie de gaz en pouces C.E. et orifices pour le gaz naturel ou le propane.

En cas de questions concernant l'installation, l'utilisation, l'entretien ou la réparation du produit, écrire ou communiquer avec le département de service des produits.

AVERTISSEMENT : Tous les grils de type charbon de bois Garland doivent être branchés uniquement au type de gaz identifié sur la plaque signalétique!

INSTALLATION

Installation Générale

IMPORTANT : Le fonctionnement sécuritaire et satisfaisant de l'équipement dépend, dans une grande mesure, de son installation correcte. L'installation doit être conforme aux codes locaux ou, en l'absence de codes locaux, au National Fuel code, ANSI Z223.1, Code d'installation du gaz naturel, CAN/CGA-B149 ou au Code d'installation du propane CAN/CGA-B149, selon le cas.

1. L'installation de l'équipement devra être faite par un plombier licencié.
2. Un robinet de fermeture du gaz doit être installé sur la conduite d'alimentation en amont de l'appareil pour la sécurité et pour faciliter les réparations ultérieures.
3. Un régulateur de pression du gaz doit être installé sur l'appareil avant de brancher l'équipement à la conduite de gaz. L'appareil est expédié avec un régulateur. L'absence de régulateur annulera la garantie sur l'équipement.

4. En cas de montage sur plan de travail ou socle HEST en option, coller le gril à la surface plate avec du silicone. Un code NSF est nécessaire dans de nombreuses zones.

Dégagements

Série HE

Maintenir les abords de l'appareil dégagés et ne pas y stocker de produits combustibles. Un espace suffisant doit être prévu pour les ouvertures d'air de la chambre de combustion et pour une alimentation en air correcte.

Ces appareils sont conçus et homologués pour les installations suivantes :

1. Prévus pour une utilisation autre que domiciliaire.
2. Pour installation dans des emplacements incombustibles uniquement.

CONSTRUCTION COMBUSTIBLE		CONSTRUCTION NON COMBUSTIBLE	
Arrière	6 Po (152mm)	Arrière	0 Po
Côtés	6 Po (152mm)	Côtés	0 Po

Positionnement Et Installation

Une certaine forme d'assistance mécanique sera nécessaire pour mettre en place ces grils, étant donné que le plus petit pèse 338 lb (153 kg) et les plus grands modèles pèsent 620 lb (281kg). Un transpalette ou un timon rouleuse facilitent la mise de niveau car ces appareils sont conçus pour être encastrés sur un plan de travail, n'ont pas de pieds réglables et que la mise de niveau se fait avec des cales ou par ajustements répétés.

À l'intérieur de l'appareil, les grils de type charbon de bois utilisent des brûleurs tubulaires avec des radiants en fonte, qui sont fixés aux supports de brûleur pour empêcher les vibrations et dommages pendant le transport. Une fois libérés, bien vérifier que les brûleurs sont d'équerre dans les encoches du support arrière des brûleurs. S'ils ne sont pas en place, les brûleurs ne fonctionneront pas correctement.

Alimentation En Air Et Ventilation

La zone autour de l'appareil doit être dégagée pour éviter d'obstruer le débit d'air de combustion et de ventilation et aussi pour faciliter l'entretien et les réparations.

Il est nécessaire de prévoir un moyen d'évacuation de type professionnel pour les produits de combustion à l'extérieur du bâtiment. Ceci est d'autant plus important que les grils ouverts, à cause de leur conception, favorisent la fonte de la graisse sur les radiants chauds qui renvoient la fumée sur le produit et lui confèrent une saveur particulière. Cette fumée monte ensuite au plafond ou dans une hotte d'évacuation.

Les grils de type charbon de bois Garland doivent être installés sous une hotte de ventilation! N'importe quelle hotte de type professionnel doit être dotée de filtres et gouttières d'écoulement, mais consulter les codes locaux avant de construire et d'installer une hotte.

Vérifier les déplacements d'air pendant l'installation; les puissants ventilateurs d'extraction dans la hotte ou le système peuvent causer un vide dans la pièce et/ou entraîner des courants d'air. Cela peut nuire au fonctionnement des brûleurs et être difficile à diagnostiquer. Si les problèmes de brûleurs persistent, il est possible que l'on doive prévoir des ouvertures ou des déflecteurs d'air dans la pièce. Toute modification de la circulation de l'air doit être effectuée ou vérifiée par un installateur qualifié. Entretien et ne pas boucher les ouvertures d'air des appareils.

Connexion Du Gaz

REMARQUE : La conduite d'alimentation en gaz doit être du même diamètre ou plus grande que la conduite d'entrée de l'appareil. Les grils de type à charbon de bois Garland utilisent une entrée ¼ po NPT. Le produit d'étanchéité sur tous les joints des tuyaux doit résister au GPL.

Cet appareil et son robinet d'arrêt du gaz individuel doivent être débranchés du système d'alimentation en gaz lors de tout essai de pression de ce système à des pressions dépassant 1/2 lb/po² (3,45 kPa)..

Cet appareil doit être isolé du système d'alimentation en gaz en fermant son robinet d'arrêt individuel lors de tout essai de pression du système d'alimentation en gaz à des pressions d'essai supérieures ou égales à 1/2 lb/po² (3,45 kPa).

Robinet D'arrêt Manuel

Le robinet d'arrêt manuel est fourni par l'installateur; il doit être installé sur la conduite d'alimentation en gaz en amont de l'appareil et du régulateur de pression et à un endroit où il peut être atteint rapidement en cas d'urgence.

Régulateur De Pression

Pour fonctionner de façon sûre et efficace, tout gros équipement de cuisson commercial doit être doté d'un régulateur de pression sur la conduite d'alimentation, étant donné que la pression d'alimentation peut varier en fonction de la demande locale. Le robinet d'arrêt manuel est normalement fourni par l'installateur, mais les régulateurs de pression sont expédiés par Garland avec chaque gril de type charbon de bois.

Les régulateurs sont préréglés en usine pour 4 po C.E. (gaz naturel) ou 10 po C. E. (propane) en fonction des instructions de la commande du client. Ajuster le régulateur à la pression de fonctionnement du collecteur conformément à la plaque signalétique.

Avant de brancher le régulateur, vérifier la pression de la conduite d'alimentation, étant donné que les régulateurs peuvent supporter une pression maximale de ½ lb/po² (14 po C.E.). Si la pression d'alimentation est supérieure à cette limite, un régulateur réducteur sera nécessaire. Bien vérifier la flèche forgée sur le fond du corps du régulateur et qui indique le sens de débit du gaz; elle doit être dirigée vers l'appareil. Le bouchon rouge de ventilation fait partie du régulateur et ne doit pas être retiré à moins que les codes locaux exigent une ventilation vers l'extérieur.

Le régulateur peut être ajusté sur place, mais il est recommandé de ne pas le modifier à moins d'être sûr qu'il est déréglé ou qu'il existe d'importantes fluctuations de pression qui ne peuvent pas être résolues d'une autre façon. Tous les réglages des régulateurs doivent être faits par du personnel d'entretien qualifié doté de l'équipement d'essai nécessaire.

Si on utilise une conduite de ventilation à partir du régulateur de pression d'appareil à gaz, elle doit déboucher à l'extérieur, conformément aux codes locaux ou, en l'absence de codes locaux, au National Fuel code, ANSI Z22_1, au Code d'installation du gaz naturel, CAN/CGA-B149.1 ou au Code d'installation du propane CAN/CGA-B149.2, selon le cas.

AVERTISSEMENT : L'absence de régulateur annulera la garantie sur l'équipement !

Connexions Rigides

Vérifier soigneusement les tuyaux d'alimentation fournis par l'installateur et éliminer les saletés, résidus de filetage et autres corps étrangers avant l'installation dans une conduite d'alimentation. Ces particules peuvent boucher les orifices quand la pression du gaz est appliquée.

Raccords Et Connecteurs Souples

Si l'appareil doit être installé avec des raccords souples et/ou rapides, pour un appareil équipé de roulettes, l'installation sera faite avec raccord souple de type commercial homologué par l'AGA ou au moins de 3/4 po NPT (avec retenue adaptée) conforme à la norme Standard for Connectors for Moveable Gas Appliances, ANSI Z21 .69/CSA 6 .16, Addenda Z21 .69B-2006/CSA 6 .16B-2006 (ou la dernière édition), et un raccord rapide conforme à la norme Standard for Quick Disconnects for Use with Gas Fuel, ANSI Z21 .41/CSA 6 .9, Addenda Z21 .41A-2005/CSA 6.16A-2005 (ou la dernière édition), et des moyens adaptés doivent être prévus pour limiter le mouvement de l'appareil sans dépendre du raccord et du raccord rapide ou de sa tuyauterie pour limiter les déplacements de l'appareil et les emplacements où les moyens de retenue peuvent être fixés à l'appareil seront spécifiés.

De plus, si l'appareil doit être installé sur une surface non combustible équipée de roulettes, on doit prévoir des moyens pour limiter les déplacements de l'appareil avec les roulettes.

Robinet Manuel Des Veilleuses

Vérifier toutes les connexions du gaz pour déceler les fuites avec une solution savonneuse avant d'allumer les veilleuses. **NE PAS UTILISER DE FLAMME NUE POUR VÉRIFIER LA PRÉSENCE DE FUITES!** Approcher une flamme nue d'un nouveau raccord est non seulement dangereux, mais on risque souvent de ne pas déceler les petites fuites qui seraient découvertes par une solution savonneuse.

Tous les appareils Garland sont réglés et testés avant de quitter l'usine, pour qu'ils correspondent aux conditions au niveau de la mer. Des réglages et étalonnages destinés à assurer un bon fonctionnement peuvent être nécessaires lors de l'installation afin de s'adapter aux conditions locales, à la faible pression du gaz, aux différences d'altitude, aux variations de caractéristiques du gaz et afin de corriger les éventuels problèmes causés par des manipulations brutales ou des vibrations pendant le transport et ils doivent être effectués uniquement par du personnel d'entretien qualifié.

Ces réglages sont de la responsabilité du client, de l'installateur et/ou du concessionnaire et ne sont pas couverts par la garantie Garland.

Tous les brûleurs sont équipés d'électrodes à étincelles électroniques continues pour s'assurer que la flamme est allumée en permanence pendant le fonctionnement. La production continue d'étincelles doit rester sous tension jusqu'à ce que l'alimentation soit interrompue manuellement.

AVERTISSEMENT : Toutes les connexions doivent être étanchéifiées avec un composé à joint adapté au GPL et toutes les connexions doivent être testées avec une solution savonneuse avant d'allumer les veilleuses!

Démarrage

Avant le premier allumage ou si l'appareil ne fonctionne pas du tout, vérifier si :

1. Le robinet d'alimentation principale de l'appareil est ouvert.
2. L'alimentation électrique et le cordon Nema 5-15P a été branché dans une prise 120 V, 15A, 60 Hz appropriée.

INSTALLATION suite

Pour le démarrage quotidien :

1. Les modèles HEEE-24CL et HEEE-_6CL sont équipés d'un interrupteur d'alimentation électrique. Quand il est poussé en position «ON», un allumeur fournit une étincelle continue aux brûleurs, allumant le gaz de tous les brûleurs simultanément. En même temps, l'interrupteur électrique ouvre le gaz vers les brûleurs.
2. Les modèles HEEE-48CL et HEEE-60CL ont deux interrupteurs électriques qui fonctionnent de la même manière que l'interrupteur ci-dessus. Chaque interrupteur fonctionne séparément, permettant à l'opérateur d'utiliser les deux sections du gril de façon indépendante. Sur le modèle HEEE-48CL, l'interrupteur de gauche actionne les brûleurs 1 à 5. L'interrupteur de droite actionne les brûleurs 6 à 9. Sur le modèle HEEE-60CL, l'interrupteur de gauche actionne les brûleurs 1 à 6 et celui de droite les brûleurs 7 à 11.
3. Si les brûleurs ne s'allument pas, couper l'alimentation de l'appareil et attendre 5 minutes avant de recommencer l'allumage. En cas d'échec au deuxième allumage, couper l'alimentation de l'appareil et contacter un réparateur.

4. Ce gril est économe en énergie; tous les brûleurs sont pré réglés en usine pour fonctionner avec une flamme fixe et régulière. Aucun réglage ne doit être tenté par l'utilisateur.

Arrêt

1. Pour arrêter l'appareil pour la nuit, sur tous les modèles tourner le(s) interrupteur(s) en position « OFF ».
2. En cas d'arrêt pour des périodes plus longues, tourner le(s) interrupteur(s) en position « OFF » et fermer le robinet manuel d'alimentation en gaz.

Préparation Finale

Les appareils neufs sont frottés avec du solvant en usine pour éliminer les traces visibles de saletés, huile, graisse, etc. restant du processus de fabrication. Ils doivent être lavés avec de l'eau savonneuse chaude pour éliminer toute trace de solvant ou d'huile ainsi que les poussières et débris d'installation avant d'être utilisés pour la préparation d'aliments.

ENTRETIEN ET NETTOYAGE

N'importe quel équipement fonctionne mieux et dure plus longtemps quand il est correctement entretenu et maintenu propre. L'équipement de cuisson ne fait pas exception. Ce gril de type charbon de bois Garland doit être maintenu propre pendant toute la journée de travail et être nettoyé soigneusement à la fin de chaque journée de travail.

AVERTISSEMENT : En cas de détection d'odeur de gaz, l'alimentation en gaz doit être interrompue au robinet d'arrêt principal et la compagnie de gaz locale ou l'agence de service agréée doit être contactée pour effectuer les réparations nécessaires.

REMARQUE : Une brosse métallique est fournie avec le gril pour le nettoyage de la grille. Le côté comportant des dents en acier inoxydable est destiné aux débris difficiles à retirer et l'autre côté avec la brosse métallique douce est destiné aux produits plus fins.



ENTRETIEN ET NETTOYAGE suite

Chaque Jour

1. Retirer les grilles du gril. Éliminer à la brosse métallique toutes les matières incrustées et les laver dans l'eau chaude savonneuse. Une méthode commune de nettoyage consiste à retourner les grilles afin de brûler les aliments incrustés. Ne pas faire cela avec le gril radiant de type charbon de bois! La flamme du brûleur est protégée par un radiant en fonte, ce qui fait que c'est la chaleur et non la flamme que atteint la grille. Il est probable que les aliments cuits, colleront encore plus plutôt que de brûler.
2. Retirer les radiants et les nettoyer à la brosse métallique, puis les laver à l'eau chaude savonneuse. En général, si les grilles sont incrustées, il en est de même des radiants.
3. Les déversements doivent être essuyés dès qu'ils se produisent. À la fin de la journée, laver les bacs récepteurs dans l'eau chaude savonneuse et les remettre en place une fois propres. NE PAS utiliser le gril sans les bacs récepteurs.

Périodique

Le gril de type charbon de bois Garland doit être vérifié et réglé périodiquement par du personnel d'entretien qualifié dans le cadre du programme régulier d'entretien de la cuisine.

Nettoyage De L'acier Inoxydable

Toutes les pièces de carrosserie en acier inoxydable doivent être essuyées régulièrement avec de l'eau chaude savonneuse pendant la journée et avec un produit de nettoyage liquide conçu pour ce matériau à la fin de chaque journée. Ne pas utiliser de laine d'acier, de tissus, de poudres ou de produits de nettoyage abrasifs. S'il est nécessaire de gratter l'acier inoxydable pour retirer des produits incrustés, tremper l'endroit incrusté avec des chiffons humide pour décoller le produit, puis utiliser un grattoir en nylon ou en bois. Ne pas utiliser de couteau ou de spatule en métal ou tout autre outil métallique pour gratter l'acier inoxydable. Les rayures sont presque impossibles à éliminer.

PIÈCES DE RECHANGE ET RÉPARATION

Nous suggérons de faire faire l'installation, l'entretien et les réparations par une agence de service agréée locale figurant dans le manuel d'informations.

Les produits Garland/U.S. Range ne sont pas agréés ni autorisés pour une utilisation personnelle ou résidentielle, mais sont destinés à des applications commerciales seulement. Garland / U.S. Range n'offre pas de services de réparation, garantie, entretien ou soutien de n'importe quelle sorte pour des applications autres que commerciales.



INSTRUCCIONES DE INSTALACIÓN Y OPERACIÓN

ASADOR RADIANTE DE ALTA EFICIENCIA SERIE HE



PARA SU SEGURIDAD:
NO ALMACENE O UTILICE GASOLINA U
OTROS VAPORES O LÍQUIDOS INFLAMABLES
EN LAS CERCANÍAS DE ESTE O CUALQUIER
OTRO ARTEFACTO.

ADVERTENCIA:
LA INSTALACIÓN, AJUSTE, MODIFICACIÓN,
SERVICIO O MANTENIMIENTO INCORRECTO
PUEDEN OCASIONAR DAÑOS A
LA PROPIEDAD, LESIONES
O LA MUERTE. LÉASE MINUCIOSAMENTE
LAS INSTRUCCIONES DE INSTALACIÓN,
OPERACIÓN Y MANTENIMIENTO
ANTES DE INSTALAR O DAR
MANTENIMIENTO A ESTE EQUIPO.

LEA TODAS LAS SECCIONES DE ESTE MANUAL Y
GUÁRDELO PARA FUTURAS CONSULTAS.

ESTE PRODUCTO HA SIDO CERTIFICADO COMO
EQUIPO DE COCINA COMERCIAL Y DEBE SER
INSTALADO POR PERSONAL PROFESIONAL
SEGÚN LO ESPECIFICADO.

EN EL COMMONWEALTH DE MASSACHUSETTS
ESTE PRODUCTO DEBE SER INSTALADO POR UN
PLOMERO O INSTALADOR DE SISTEMAS DE GAS
AUTORIZADO.

Para Su Seguridad:
Coloque en una ubicación prominente las
instrucciones a seguirse en caso de que el usu-
ario huelga gas. Esta información se obtendrá
consultando a su proveedor de gas local.

A los usuarios se les advierte que el mantenimiento y las reparaciones deben ser realizados por un agente de servicio autorizado de Garland que utilice repuestos genuinos de Garland. Garland no tendrá ninguna obligación con respecto a cualquier producto que haya sido incorrectamente instalado, ajustado, operado o no mantenido de acuerdo con los códigos nacionales y locales o las instrucciones de instalación provistas con el producto, o cualquier producto al que se le haya desfigurado, borrado o quitado su número de serie, o que ha sido modificado o reparado utilizando repuestos no autorizados o por agentes de servicio no autorizados. Para una lista de agentes de servicio autorizados, por favor consulte el sitio Web de Garland en <http://www.garland-group.com>. La información contenida aquí, (incluso el diseño y las especificaciones de partes), puede ser reemplazada y esta sujeta a cambios sin previo aviso.

GARLAND COMMERCIAL INDUSTRIES, LLC
185 East South Street
Freeland, Pennsylvania 18224
Teléfono: (570) 636-1000
Fax: (570) 636-3903

GARLAND COMMERCIAL RANGES, LTD.
1177 Kamato Road, Mississauga, Ontario L4W 1X4
CANADÁ
Teléfono: 905-624-0260
Fax: 905-624-5669

INFORMACIÓN IMPORTANTE

ADVERTENCIA:

Este producto contiene sustancias químicas que el Estado de California las conoce como causantes de cáncer y/o defectos de nacimiento u otro daños reproductivos. La instalación y el mantenimiento de este producto podrían exponerle a partículas aerotransportadas de lana de vidrio / fibras de cerámica. Es un hecho conocido por el Estado de California que la inhalación de partículas aerotransportadas de la lana de vidrio / fibras de cerámica causan cáncer. La operación de este producto podría exponerle al monóxido de carbono si no está debidamente ajustado. Es un hecho conocido por el Estado de California que la inhalación de monóxido de carbono causa defectos de nacimiento u otros daños reproductivos.

Mantenga la zona del artefacto libre y alejada de combustibles.

INFORMACIÓN IMPORTANTE	22
DIMENSIONES Y ESPECIFICACIONES.....	24
INTRODUCCIÓN.....	25
Placa De Características	25
INSTALACIÓN.....	25
Instalación General	25
Colocación E Instalación.....	26
Suministro De Aire Y Ventilación.....	26
Conexión De Gas	26
Válvula De Paso Manual.....	26
Regulador De Presión	26
Conexiones Rígidas	27
Acoplamientos Flexibles Y Conectores	27
Válvula Piloto Manual	27
Puesta En Marcha.....	28
Apagado	28
Preparación Final	28
LIMPIEZA Y MANTENIMIENTO	29
Diariamente	29
Periódicamente.....	29
Limpieza Del Acero Inoxidable.....	29
SERVICIO Y PARTES	29

DIMENSIONES Y ESPECIFICACIONES

Modelo #	Dimensiones: Pulg. (mm)			No de Quemadores	BTU Total*		Gas Broiling Grid: In. (mm)	
	Ancho	Profundidad	Altura		Natural	Propano	Ancho	Profundidad
HEEE-24CL	24(610)	37-1/4(946)	17-13/16(453)	4	54,000	50,000	20-1/8 (511)	23-1/2(597)
HEEE-36CL	34(864)	37-1/4(946)	17-13/16(453)	6	70,000	72,000	30-1/8(765)	23-1/2(597)
HEEE-48CL	48(1219)	37-1/4(946)	17-13/16(453)	9	105,000	105,000	44-1/8(1121)	23-1/2(597)
HEEE-60CL	58(1473)	37-1/4(946)	17-13/16(453)	11	115,000	138,000	54-1/8(1375)	23-1/2(597)

* Presión de operación del distribuidor según la tabla mostrada abajo

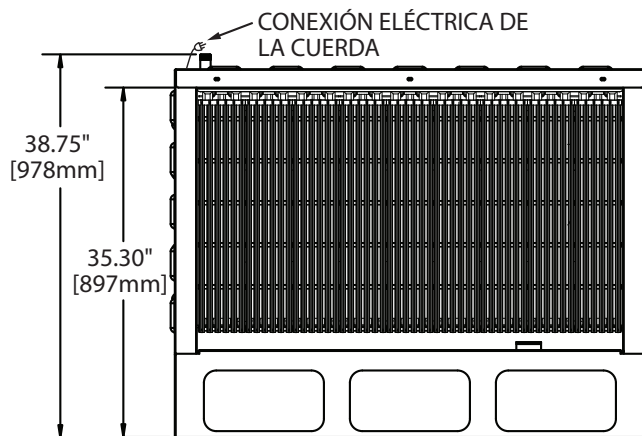
Distribuidor de gas de 3/4" NPT en todos los modelos

Los productos de Garland/U.S. Range no están aprobados o autorizados para uso residencial o casero, y han sido concebidos exclusivamente para aplicaciones comerciales. Garland/U.S. Range no proporcionará servicio, garantía, mantenimiento, o apoyo de ninguna clase a aplicaciones que no sean comerciales.

Existen muchos códigos locales y es responsabilidad del propietario e instalador el cumplir con los mismos.

INFORMACIÓN DE DESPACHO	
MODELO	Peso Lbs/Kg
HEEE-24CL	338/153
HEEE-36CL	391/177
HEEE-48CL	505/229
HEEE-60CL	620/281

Modelos	Presión De Operación Del Distribuidor		Presión Mínima De Suministro	
	Gas Natural	Propano	Gas Natural	Propano
	"CDA.(Mbar)	"CDA.(Mbar)	"CDA.(Mbar)	"CDA.(Mbar)
Todos Los Modelos	4.0(10)	10.0(25)	5.0(12.5)	11(27.5)

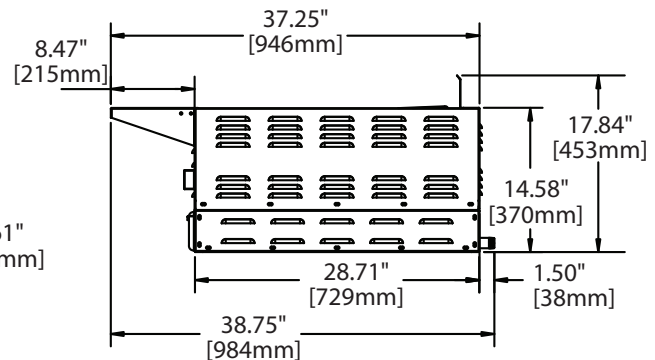
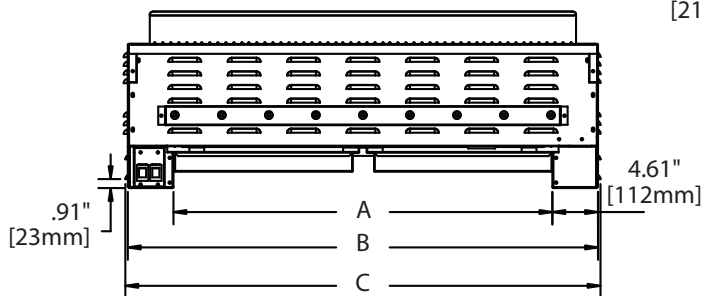


Medidas De Anchura Pulgadas (mm)			
MODELO	A	B	C
HEEE-24CL	14.28 (363)	23.50 (597)	24.00 (610)
HEEE-36CL	24.38 (721)	33.50 (851)	34.00 (864)
HEEE-48CL	38.28 (972)	47.50 (1206)	48.00 (1219)
HEEE-60CL	48.28 (1226)	57.50 (1460)	58.00 (1473)

Eléctrico: 120V, 60 Hz 15 amperios

Suministrado con cordón eléctrico NEMA 5-15 P

NOTE: el diagrama de cableado está ubicado en lado derecho de la sección de pata del asador.



INTRODUCCIÓN

Garland fabrica los asadores de la Serie HE con anchuras entre 24" (610 mm) y 58" (147 mm). Mientras el servicio y la operación por parte del cliente pueden variar de modelo en modelo, la instalación es similar para toda la línea.

Todas las unidades son despachadas completamente armadas, con rejillas superiores y elementos radiantes fijados al patín en cajas separadas. Cualquier parte suelta va atada con cinta adhesiva o cuerdas de sujeción, y los reguladores de presión (y los carbones de cerámica, si los hubiese) van empacados dentro de la unidad. Todas las unidades son ajustadas, probadas e inspeccionadas en la fábrica antes de despacharse

IMPORTANTE: Inmediatamente después de sacar al equipo del embalaje de transporte, revíselo para detectar si hay signos visibles de daños durante el transporte. Si tal daño ha ocurrido, no rechace el envío, pero póngase en contacto con la empresa transportista y haga las reclamaciones pertinentes.

Placa De Características

La placa de características está fijada a la pata de canal interna delantera izquierda del asador.

La información en esta placa incluye los números de modelo y de serie. Al comunicarse con la fábrica acerca de alguna unidad o al solicitar partes especiales o información, estos datos son esenciales para la identificación correcta. Otros datos incluidos en esta placa son los BTU/hora de entrada a los quemadores, la presión en la toma de gas en pulgadas de columna de agua, y si el artefacto viene con un orificio para gas natural o con uno para gas propano.

En caso de que tenga cualquier duda acerca de la instalación, uso, cuidado o servicio del producto, escriba o llame a nuestro Departamento de Servicio a los Productos.

ADVERTENCIA: ¡Todos los Asadores Garland deben estar conectados solamente al tipo de gas identificado en la placa de características!

INSTALACIÓN

Instalación General

IMPORTANTE: la operación segura y satisfactoria del equipo depende, en alto grado, de que haya sido instalado correctamente. La instalación debe cumplir con los códigos locales o, en ausencia de los mismos, con el Código de Combustible Nacional, ANSI Z223 .1 Código de Instalación para Gas Natural, CAN/CGA-B149 .1, o el Código de Instalación para Propano, CAN/CGA-B149 .2, según sea el caso.

1. La instalación del equipo deberá ser hecha por un plomero autorizado.
2. Una válvula de paso manual para el cierre del gas debe ser instalada en la línea de suministro de gas corriente arriba del artefacto para efectos de seguridad y para facilitar cualquier mantenimiento futuro.
3. Un regulador de presión de gas debe instalarse en el artefacto previo a la conexión del equipo a la línea de gas. Esta unidad es despachada con un regulador. El no instalar un regulador anulará la garantía del equipo.

4. Si se va instalar sobre una encimera o soporte opcional tipo HEST, selle el asador a la superficie llana con silicona. En muchas zonas éste es un requisito del código NSF.

Separaciones

Serie HE

La zona donde se coloque el artefacto no debe contener ningún tipo de combustible. Debe proporcionarse una separación adecuada para las aberturas de aire en la cámara de combustión y para el suministro apropiado de aire.

Estas unidades tienen diseños certificados para las siguientes instalaciones:

1. Cualquier tipo de instalación que no sea para uso doméstico.
2. Para usarse sólo en ubicaciones que no contengan combustible.

INSTALACIÓN continuación

CONSTRUCCIÓN COMBUSTIBLE		CONSTRUCCIÓN NO COMBUSTIBLE	
Parte De Atrás	6" (152mm)	Parte De Atrás	0"
Lados	6" (152mm)	Lados	0"

Colocación E Instalación

Se requerirá de algún tipo de ayuda mecánica para colocar estos asadores en su lugar, ya que el más pequeño pesa 338 libras (153 kilogramos) y los tamaños más grandes pesan 620 libras (281 kilogramos). Un elevador de paletas o un gato elevador también facilitarán la nivelación, puesto que estas unidades están diseñadas para colocarse a ras sobre una encimera, y no tienen patas o pies ajustables y se nivelan con calzas y ajustes repetidos.

Dentro de la unidad, los asadores usan quemadores tubulares colados con elementos radiantes de hierro colado, que se fijan a los colgadores de los quemadores para evitar vibración y daños durante el transporte. Una vez sueltos, verifique minuciosamente que los quemadores estén colocados directamente en las muescas del colgador del quemador trasero. Si estuviesen fuera de posición, el quemador no trabajará correctamente.

Suministro De Aire Y Ventilación

El área alrededor del artefacto debe mantenerse despejada para evitar cualquier obstrucción al flujo del aire de combustión y de ventilación, al igual que para facilitar el mantenimiento y servicio al mismo.

Para cualquier artefacto de cocina comercial de uso pesado, deben proporcionarse los medios para evacuar los gases de la combustión al exterior de la edificación. Esto es doblemente importante para los asadores de rejilla abierta, ya que el diseño promueve el goteo de la grasa sobre los elementos radiantes calientes para generar humo que actúa como condimento para el producto. Este humo entonces va o al techo o a una campana extractora de gases. **¡Los Asadores Garland deben estar bajo una campana extractora de gases!** Los filtros y los canalones de goteo deberán formar parte de cualquier campana industrial, pero deberá consultar los códigos locales antes de construir e instalar una campana.

Durante la instalación deberá comprobarse el movimiento del aire, ya que los ventiladores de extracción de gases demasiado potentes en la campana o en el sistema total pueden producir un vacío en el recinto y/o causar corrientes de aire. Cualquiera de estos puede interferir con el desempeño del quemador y dificultar cualquier diagnóstico. Si persisten los problemas con el quemador, deberán colocarse aberturas o deflectores de aire de reposición en el recinto. Cualquier ajuste al movimiento de aire deberá ser realizado o inspeccionado por un instalador técnico calificado. Preste mantenimiento y no obstrúyase las aberturas de aire con que el artefacto fue diseñado.

Conexión De Gas

NOTA: la línea de suministro (servicio) de gas debe ser del mismo tamaño o mayor que la línea de admisión del artefacto. Los Asadores Garland usan una entrada de 3/4" NPT. El sellador en todas las conexiones de tubería debe ser resistente al gas propano licuado.

El artefacto y su válvula de paso individual deben ser desconectados del sistema de tubería de suministro de gas durante cualquier prueba de presión de dicho sistema a presiones de prueba superiores a 1/2 psi (3.45 kPa).

El artefacto debe aislarse del sistema de tubería de suministro de gas cerrando su válvula de paso manual individual durante cualquier prueba de presión del sistema de tubería de suministro de gas a presiones de prueba iguales o menores de 1/2 psi (3.45 kPa).

Válvula De Paso Manual

La válvula de paso manual es suministrada por el instalador; ésta debe ser instalada en la línea de suministro de gas corriente arriba del artefacto y del regulador en la corriente de gas y en una posición donde pueda ser alcanzada rápidamente en caso de emergencia.

Regulador De Presión

Todo equipo de cocina comercial de uso pesado debe tener un regulador de presión en la línea de suministro de admisión para contar con una operación segura y eficiente, ya que la presión de suministro puede fluctuar con la demanda local. La válvula de paso manual es normalmente suministrada por el instalador, pero los reguladores de presión son despachados por Garland con cada asador.

INSTALACIÓN continuación

Los reguladores son preajustados en la fábrica a una presión de 4" de columna de agua (gas natural) o 10" de columna de agua (propano) de acuerdo con las instrucciones en el pedido del cliente. Ajuste el regulador a la presión de operación del distribuidor según lo indicado en la placa de características.

Antes de conectar el regulador, compruebe la presión en la línea de admisión, puesto que estos reguladores sólo pueden resistir una presión máxima de ½ psi (14" de columna de agua). Si la presión de la línea supera este límite, se requerirá un regulador de disminución de presión. Asegúrese bien de que la flecha forjada en el fondo del cuerpo del regulador, la cual muestra la dirección del flujo de gas, esté apuntando corriente abajo hacia el artefacto. El capuchón rojo del respiradero de aire es parte del regulador y sólo deberá quitarse si los códigos locales requieren la descarga de los gases hacia afuera del recinto.

Los reguladores pueden ser ajustados en el campo, pero se recomienda que no sean manipulados a menos que se sepa a ciencia cierta que estén desajustados o que se encuentre que existen serias fluctuaciones de presión y no pueden ser solucionadas de ninguna otra manera. Cualquier ajuste a los reguladores debe ser realizado por personal de servicio calificado con el equipo de pruebas apropiado.

Si se utiliza una línea de ventilación proveniente del regulador de presión del artefacto de gas, está deberá ser instalada de manera que desemboque al aire libre de acuerdo con los códigos locales o, en ausencia de códigos locales, con el código de Combustible Nacional, ANSI Z223.1, Código de Instalación para Gas Natural, CAN/CGA-B149 .1 o el Código de Instalación para Propano, CAN/CGA-B149 .2, según sea el caso.

ADVERTENCIA: ¡El no instalar un regulador de presión anulará la garantía del equipo!

Conexiones Rígidas

Revise cuidadosamente cualquier tubería de admisión suministrada por el instalador y limpie cualquier suciedad, fragmentos de roscas u otra materia extraña antes de conectarse a una línea de suministro. Dichas partículas obstruirán orificios cuando la presión de gas sea aplicada.

Acoplamiento Flexibles Y Conectores

Si la unidad va a instalarse con acoplamiento flexibles y/o conexiones de desconexión rápida, para artefactos equipados con ruedas locas la instalación será hecha con un conector flexible comercial para servicio pesado con un certificado de diseño AGA o al menos 3/4" NPT (con el alivio de tensión apropiado) conforme a la Norma para Conectores para Artefactos de Gas Movibles, ANSI Z21 .69/CSA 6 .16, Apéndices Z21 .69B-2006/CSA 6 .16B-2006 (o última edición), y un dispositivo de desconexión rápida que cumpla con la Norma para Dispositivos de Desconexión Rápida para Uso con Gases Combustibles, ANSI Z21 .41/CSA 6 .9, Apéndices Z21 .41A-2005/CSA 6.16A-2005 (o última edición), y deben proporcionarse medios adecuados para limitar el movimiento del artefacto sin depender ni del conector y ni del dispositivo de desconexión rápida o la tubería asociada para limitar el movimiento del mismo, y la posición o posiciones donde los medios de restricción pueden ser atados al artefacto será(n) especificado(s).

Adicionalmente, si la unidad debe ser instalada en una superficie no combustible que está equipada con ruedas locas, deben proporcionarse medios para limitar el movimiento de la unidad con ruedas locas.

Válvula Piloto Manual

Antes de encender cualquier piloto, revise todas las conexiones con una solución jabonosa para asegurarse de que no exista ningún escape de gas. ¡NO UTILICE UNA LLAMA ABIERTA PARA DETECTAR LA EXISTENCIA DE ESCAPES DE GAS! Colocar una llama abierta al lado de una nueva conexión no es sólo peligroso, sino que a menudo no detectará pequeños escapes de gas que una solución jabonosa sí encontraría.

Todos los artefactos de Garland son ajustados y probados antes de despacharse de la fábrica, donde quedan ajustados a las condiciones de nivel del mar. Ajustes y calibraciones para asegurar una operación correcta en la instalación pudieran requerirse para ajustarse a las condiciones locales, presiones de gas bajas, diferencias en la altitud, variaciones en las características del gas o para corregir posibles problemas causados por maltrato o vibración durante el transporte, y deben ser realizados sólo por personal calificado de servicio.

INSTALACIÓN continuación

Estos ajustes son responsabilidad del cliente, instalador y/o distribuidor y no están cubiertos por la garantía de Garland.

Todos los quemadores están equipados con electrodos electrónicos de chispa continua para asegurarse de que la llama esté siempre encendida durante la operación. El sistema de chispa continua está diseñado para permanecer activado hasta que el suministro eléctrico sea apagado manualmente.

ADVERTENCIA: ¡Todas las conexiones deben sellarse con un compuesto para conexiones que sea apto para usarse con propano licuado, y todas las conexiones deben ser probadas con una solución jabonosa antes de encender cualquier piloto!

Puesta En Marcha

Antes del encendido inicial o si la unidad no funciona en absoluto revise la unidad para ver si:

1. La válvula de cierre en el suministro de gas principal al artefacto está abierta.
2. El cordón eléctrico Nema 5-15P ha sido enchufado a un tomacorriente apropiado de 120 voltios, 15 amperios y 60 Hz.

Para la puesta en marcha diaria:

1. Los modelos HEEE-24CL y HEEE-6CL tienen un interruptor de corriente. Una vez presionado a la posición de encendido "ON", un encendedor suministra una chispa continua a los quemadores la cual simultáneamente enciende el gas a todos los quemadores. Al mismo tiempo el interruptor de corriente abre el flujo de gas a los quemadores.

2. Los modelos HEEE-48CL y HEEE-60CL cuentan con dos interruptores de corriente que funcionan de la misma manera que el interruptor único arriba descrito. Cada interruptor funciona por separado lo cual le permite al operador hacer funcionar dos secciones del asador de manera independiente. En el modelo HEEE-48CL, el interruptor en el extremo izquierdo opera los quemadores 1 al 5. El interruptor de corriente a la derecha opera los quemadores 6 al 9. En el modelo HEEE-60CL el interruptor izquierdo controla los quemadores 1 al 6 y el interruptor derecho controla los quemadores 7 a 11.
3. Si los quemadores no se encendiesen, apague el suministro eléctrico a la unidad, y espere 5 minutos antes de repetir la operación de encendido. Si el encendido fallase repetidas veces, apague el suministro eléctrico a la unidad y póngase en contacto con una persona de servicio.
4. Su parrilla es una unidad que ahorra energía, todos los quemadores son ajustados en la factoría para una llama consistente y eficiente. El operador no deberá intentar realizar ningún ajuste.

Apagado

1. Para apagar la unidad durante la noche, en todos los modelos gire el (los) interruptor(es) de corriente a la posición "OFF" (apagado).
2. Para apagar la unidad durante períodos más largos, gire el (los) interruptor(es) de corriente a la posición "OFF" (apagado) y gire la válvula manual de paso del suministro a la posición "OFF" (cerrada).

Preparación Final

Las unidades nuevas son limpiadas en la fábrica con un solvente para quitarles cualquier signo visible de suciedad, aceite, grasa, etc., que quedase del proceso industrial. Las mismas deberán ser lavadas con agua caliente jabonosa para eliminar cualquier residuo de solvente o residuo de aceite o polvo o escombros de la instalación antes de usarlas para preparar alimentos.

LIMPIEZA Y MANTENIMIENTO

Cualquier equipo funciona mejor y dura más tiempo cuando se le da el mantenimiento correcto y se mantiene limpio. Los equipos de cocina no son una excepción. Su Asador Garland debe ser mantenido en condiciones limpias durante la jornada de trabajo y limpiado a fondo al final de cada día.

ADVERTENCIA: Si se detectasen olores de gas, debe cerrarse el suministro de gas en la válvula de paso principal y llamarse a la compañía de gas local o a la agencia de servicio autorizada para que presten el servicio necesario.

NOTE: un cepillo de alambre es suministrado con el asador para limpiar la rejilla. El lado del cepillo con dientes sólidos de acero inoxidable es para eliminar aquellos residuos difíciles de quitar y el lado de cerdas de alambre en el reverso es para materiales más finos.



Diariamente

1. Saque las rejillas del asador. Elimine cualquier material incrustado con el cepillo de alambre y lávelas en agua caliente jabonosa. Una práctica de limpieza común es el voltear las rejillas al revés para quemar el material incrustado. ¡No haga esto con el asador de elementos radiantes! El elemento radiante de hierro colado protege contra las llamas del quemador, y como consecuencia sólo el calor, no las llamas, alcanzan la rejilla. Es probable que el material cocido sobre la rejilla se cocine aún más en vez de quemarse.

2. Quite los elementos radiantes y límpielos con el cepillo de alambre; luego lávelos en agua jabonosa caliente. Una regla básica es que si se están formando incrustaciones en las rejillas, también se estarán formando en los elementos radiantes.
3. Los derrames deberán limpiarse al momento que ocurran. Al final del día, las bandejas de goteo deberán lavarse en agua jabonosa caliente, volviéndolas a colocar en su sitio una vez limpias. No haga funcionar el asador sin las bandejas de goteo.

Periódicamente

Su Asador Garland deberá ser revisado y ajustado periódicamente por personal calificado de servicio como parte de un programa de mantenimiento regular de la cocina.

Limpieza Del Acero Inoxidable

Todas las partes de acero inoxidable del cuerpo deberán limpiarse con regularidad con agua caliente jabonosa durante el día, y con un limpiador líquido diseñado para este material al final de cada día. ¡No use virutas de acero ni paños, limpiadores o polvos abrasivos! Si es necesario raspar el acero inoxidable para quitarle materiales incrustados, empape el área incrustada con paños mojados para aflojar el material, y luego use una rasqueta de nilón o de madera. No use una espátula o cuchillo metálico o ningún otro instrumento metálico para raspar el acero inoxidable. Los rasguños son casi imposibles de quitar.

SERVICIO Y PARTES

La instalación, el mantenimiento y las reparaciones deberán ser realizados por su agencia de servicio local autorizada de Garland listada en el folleto manual de información.

Los productos de Garland/U .S. Range no son aprobados o autorizados para uso residencial o casero, y han sido concebidos exclusivamente para aplicaciones comerciales. Garland/U .S. Range no proporcionará servicio, garantía, mantenimiento o apoyo de ninguna clase a aplicaciones que no sean comerciales.



Free Manuals Download Website

<http://myh66.com>

<http://usermanuals.us>

<http://www.somanuals.com>

<http://www.4manuals.cc>

<http://www.manual-lib.com>

<http://www.404manual.com>

<http://www.luxmanual.com>

<http://aubethermostatmanual.com>

Golf course search by state

<http://golfingnear.com>

Email search by domain

<http://emailbydomain.com>

Auto manuals search

<http://auto.somanuals.com>

TV manuals search

<http://tv.somanuals.com>