



# ***ELECTRIC CONVECTION OVENS***

***Models: ECO-E10, ECO-E-20,  
ICO-E10, ICO-E-20***

## **PARTS LIST**

Toll Free Phone, (US & Canada): (800) 427-6668

Toll Free Fax, (US & Canada): (800) 361-7745

<http://www.garland-group.com>



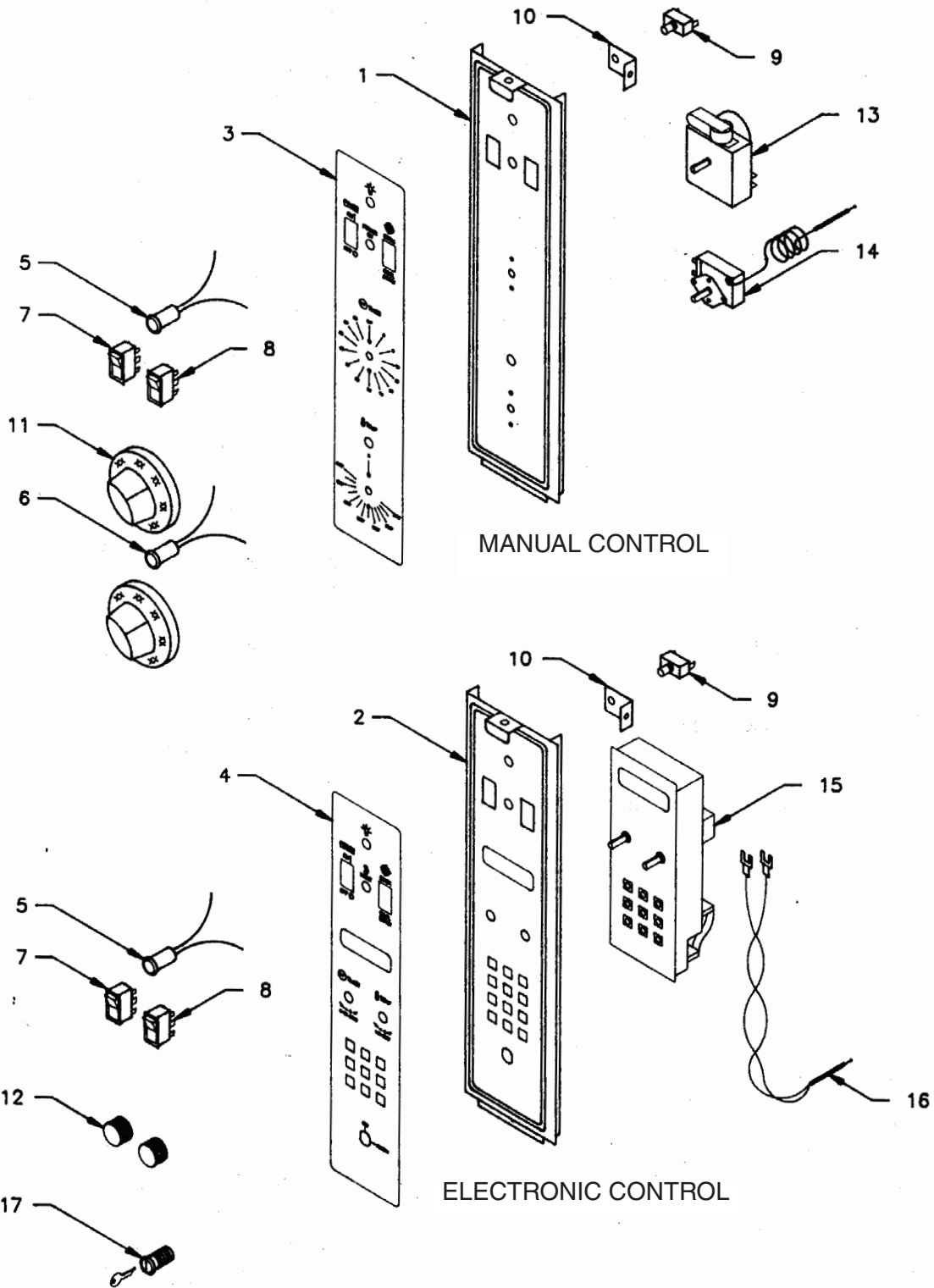


# ***ELECTRIC CONVECTION OVENS***

***Models: ECO-E10, ECO-E-20,  
ICO-E10, ICO-E-20***

## ***Contents:***

Control Panel Up to 7/25/94 .....	Page 4
Two Key Control Panel After 8/12/94 .....	Page 6
Door Components .....	Page 8
Oven Components.....	Page 10
Main Exterior .....	Page 12
Revision History.....	Page 17



**GARLAND PARTS IDENTIFICATION**  
**ECO/ICO Control Panels Electric**

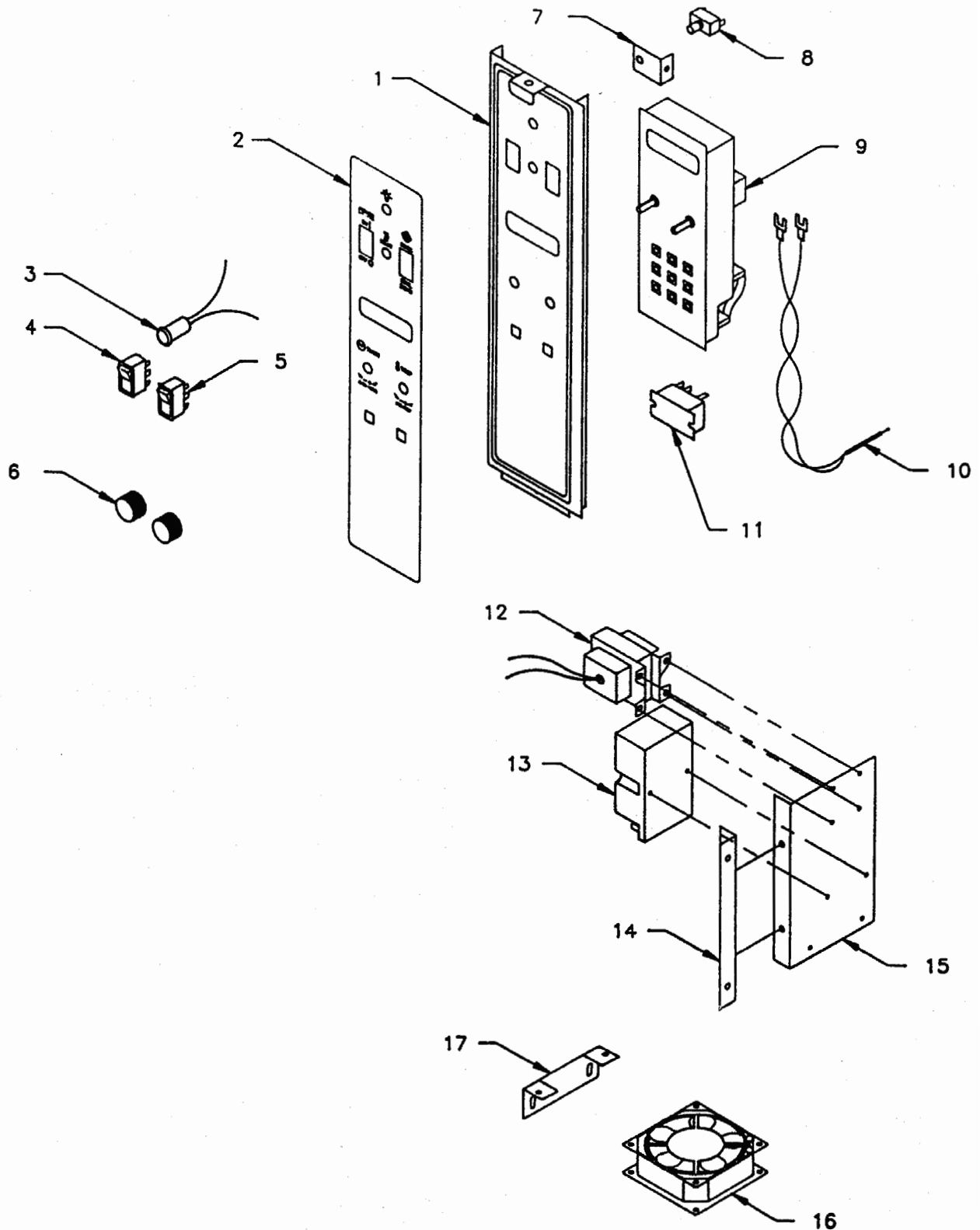
ITEM	PART #	DESCRIPTION	QUANTITY		DATE	
			ECO	ICO	FROM	UP TO
<b>Manual Controls</b>						
1	1657901	Control Panel	1	1		17 Nov. 92
	1719801	Control Panel	1	1	17 Nov. 92	
3	1657902	Overlay 1-Speed	1	1		
	1657904	Overlay 2-Speed	1	1		
5	1006493	Pilot Light Green	1	1		
6	1006498	Pilot Light Amber	1	1		
7	1019203	Switch 1 - Speed	1	1		
	1019207	Switch 2 - Speed	1	1		
8	1019209	Switch	1	1		
9	1181000	Momentary Push Switch	1	1		
10	1749201	Panel Bracket	1	1		
11	1314001	Dial	2	2		
	1314121	Insert	2	2		
13	1285701	1 Hour Timer 230V	1	1		
	1258601	12 Hour Timer 230V	1	1		
14	1032400	Thermostat	1	1		
*	9005400	Mercury Contactor	1	1		

**Electronic Control**

2	1657799	2 Key & 8 Key Panel	1	1		17 Nov. 92
	1657798	Cook'N Hold Panel	1	1		17 Nov. 92
	1719899	2 Key & 8 Key Panel	1	1	17 Nov. 92	25 Jul. 94
	1719898	Cook'N Hold Panel	1	1	17 Nov. 92	25 Jul. 94
4	1657702	Overlay 2 Key 1 Speed (Long Overlay)	1	1	Jun. 90	Aug. 94
	1657704	Overlay 2 Key 2 Speed (Long Overlay)	1	1	Jun. 90	Aug. 94
	1657706	Overlay 8 Key 1 Speed (Long Overlay)	1	1	Jun. 90	
	1657710	Overlay 8 Key 2 Speed (Long Overlay)	1	1	Jun. 90	
	1657710	Overlay Cook 'N' Hold (Long Overlay)	1	1	Jun. 90	
	1399000	2 Key Overlay (Short)	1	1		Jun. 90
	1399100	8 Key Overlay (Short)	1	1		Jun. 90
	1541600	12 Key Overlay	1	1		Jun. 90
5	1006498	Amber Pilot Light 28V	1	1		
7	1019203	Switch - 1 Speed	1	1		
	1019207	Switch - 2 Speed	1	1		
8	1019209	Switch	1	1		
9	1018100	Momentary Push Switch	1	1		
10	1749201	Panel Bracket	1	1		
12	9007200	Knob	2	2		
15	1517704	Controller 2 Key	1	1		Jul. 94
	1517706	Controller 2 Key	1	1	Jul. 94	
	1544801	Controller Cook 'N' Hold	1	1		
16	9006800	Temperature Probe	1	1		
17	1516600	Key Lock	1	1		
*	9005400	Mercury Contractor	1	1		

\* NOT ILLUSTRATED

**RECOMMENDED STOCK PARTS**



## GARLAND PARTS IDENTIFICATION

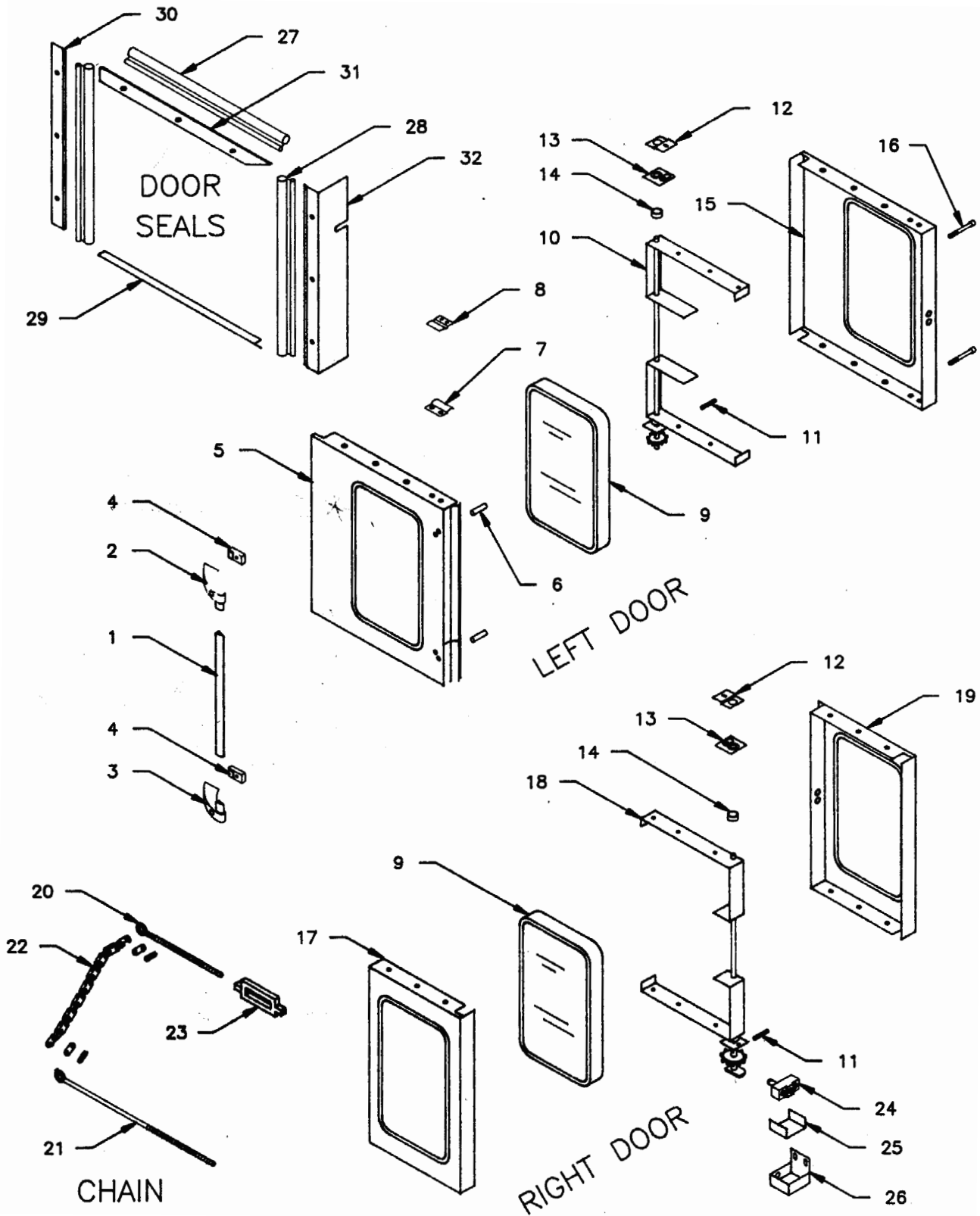
### ECO/ICO Two Key Control Panel

(After 8/12/94)

ITEM	PART #	DESCRIPTION	QUANTITY	
			ECO	ICO
1	1719897	Control Panel	1	1
2	1657712	Overlay - @ Speed	1	1
3	1270000	Amber Pilot Light (Gas)	1	1
	1006498	Amber Pilot Light (Electric)	1	1
4	1019207	Rocker Switch - 3 Position	1	1
5	1019209	Rocker Switch - 3 Position	1	1
6	1720501	Knob	2	2
7	1749201	Panel Bracket	1	1
8	1181000	Momentary Push Switch	1	1
9	1517706	2 Bottom Controller - Gas	1	1
	1517707	2 Bottom Controller - Electric	1	1
10	9006800	Prob	1	1
11	1771601	Relay - 120V - Gas	1	1
	1771602	Relay - 240V - Electric	1	1
12	1269800	Transformer - Gas	1	1
13	1516300	Module - Propane Gas	1	1
	1516301	Module - Natural Gas	1	1
14	1774702	Module Mounting Bracket	1	1
15	1774701	Module Mounting Plate	1	1
16	1671100	Polar Fan - 115V - Gas	1	1
	1671101	Polar Fan - 230V - Electric	1	1
17	1774402	Cooling Fan Mounting Bracket	1	1
*	90020991	Thermistor	1	1

\* NOT ILLUSTRATED

**RECOMMENDED STOCK PARTS**



PS93-02 REV 0

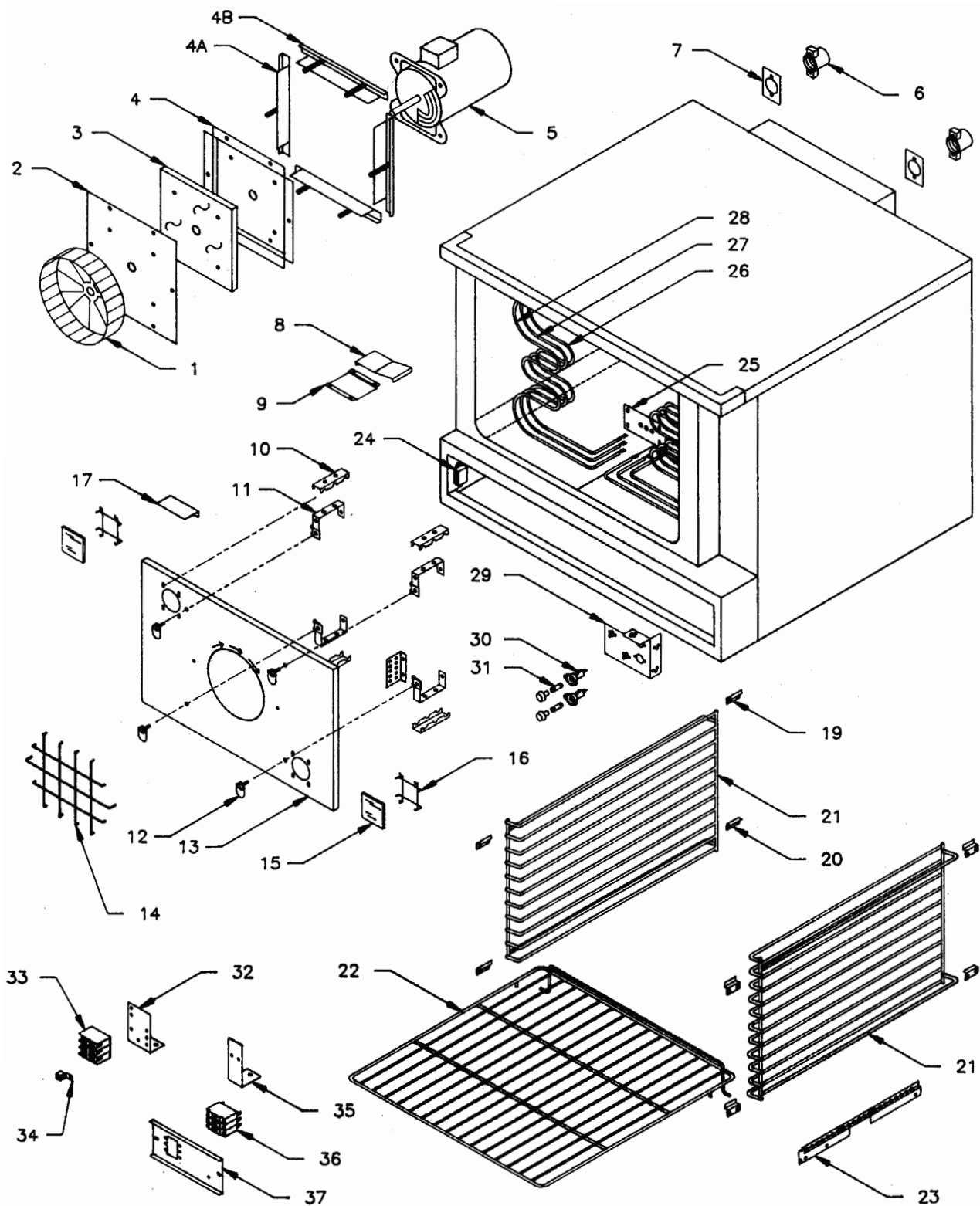


**GARLAND PARTS IDENTIFICATION**  
**ECO/ICO Control Panels Electric**

ITEM	PART #	DESCRIPTION	QUANTITY		DATE	
			ECO	ICO	FROM	UP TO
	1029279	Left Door Assy With Window	1	1		
	1029277	Left Door Assy Solid (Opt.)	1	1		
	1029278	Right Door Assy Solid	1	1		
	1029276	Right Door Assy With Window (Opt.)	1	1		
1	1016700	Oven Door Handle	1	1		
2	1016702	Oven Door Handle End (Top)	1	1		
3	1016701	Oven Door Handle End (Bottom)	1	1		
4	1016703	Oven Door Spacer	2	2		
5	1011605	Left Oven Door Panel (W/Window)	1	1		
	1011606	Left Oven Door Panel (Solid)				
6	1011707	Handle Spacer Tubing	2	2		
7	1021904	Door Catch (Mounted on Door)	1	1		
8	1021902	Door Catch (Mounted on Frame)	1	1		
9	1010999	Oven Door Window	1	1		
10	1011895	Left Door Frame	1	1		
11	1019701	Roller Pin	1	1		
12	1302800	Upper Door Bearing Retainer	2	2		
13	1010589	Hinge Bracket Assembly with Bearing	2	2		
14	1011201	Steel Tubing Chrome Spacer	2	2		
15	1011799	Left Door Liner Assembly With Window	1	1		
	1011798	Left Door Liner Assembly Solid	1	1		
16	8004004	Allen Head Cap Screw 1/4 - 20 x 3-3/16	2	2		
17	1011402	Right Door Panel Solid	1	1		
	1011403	Right Door Panel With Window				
18	1011897	Right Door Frame Solid	1	1		
	1011896	Right Door Frame With Window	1	1		
19	1011502	Right Door Liner Solid	1	1		
	1011599	Right Door Liner With Window				
20	1014201	Left Door Rod (Short)	2	2		
21	1014200	Right Door Rod (Long)	2	2		
22	1021100	Roller Chain	2	2		
23	1015000	Turnbuckle	2	2		
24	1019600	Micro Switch	1	1		
25	1533400	Micro Switch Cover (Insulation Paper)	1	1		
26	1533800	Micro Switch Bracket	1	1		
27	1581600	Top Door Seal	1	1		
28	1581601	Slide Door Seals	2	2		17 Nov. 92
	1581601	Left Side Seal Only	1	1	17 Nov. 92	
29	1534500	Bottom Door Seal	1	1		
30	1304201	Side Door Bracket	2	2		17 Nov. 92
	1304201	Left Side Door Bracket Only	1	1	17 Nov. 92	
31	1304202	Top Door Bracket	1	1		
32	1719001	Right Door Seal	1	1	17 Nov. 92	

\* NOT ILLUSTRATED

**RECOMMENDED STOCK PARTS**



PS93-09 REV 0

## GARLAND PARTS IDENTIFICATION

### ECO/ICO Oven Components

#### Electric

ITEM	PART #	DESCRIPTION	QUANTITY		Date	
			ECO	ICO	FROM	UP TO
1	1025302	Blower Wheel	1	1		
2	1011906	Motor Mount Plate	1	1		
3	1012100	Insulation (Marinite)	1	1		
4	1012000	Motor Mount	1	1		
4A	1012498	Motor Mount Brace - Side	2	2		
4B	1012499	Motor Mount Brace - Top & Bottom	2	2		
5	1686703	Motor 1/2 HP 1 Speed	1	1		
	1686702	Motor 1/2 HP 2 Speed	1	1		
*	1003099	Motor Assy (Items 1, 2, 3, 4, 5) 1 Speed				
	1003904	Motor Assy (Items 1, 2, 3, 4, 5) 2 Speed				
6	1025800	Lamp Socket Porcelain	2	2		
7	1025900	Lamp Socket Gasket	2	2		
	1026050	Lamp Bulb	2	2		
8	1300900	Vent Slid Housing	1	1		
9	1300901	Vent Slide	1	1		
10	1547600	Element Clamp	4	4		
11	1547200	Air Baffle Spacer Button	4	4		
12	8005000	1/4 Turn Pin	4	4	Jun. 88	
	8995199	1/4 Turn Pin Receptacle				
	1031901	Thumb Screws				Jun. 88
13	1539899	Air Baffle Assembly GCE				
	1539898	Air Baffle Assembly CC (Optional)				
	1539896	Air Baffle Assembly SS (Optional)				
14	1014500	Blower Inlet Cover	1	1		
15	9004800	Glass Light Cover	2	2		
16	1534400	Glass Retainer	2	2		
17	1547500	Air Vane Top	1	1		
	1547400	Air Vane Center	1	1		
19	1317600	Rack Guide Clip (Upper)	4	4		
20	1317601	Rack Guide Clip (Lower)	4	4		
21	1315700	Rack Guide	2			
	1315701	Rack Guide - Deep		2		
22	1012600	Oven Rack	5			
	1012700	Oven Rack - Deep		5		
23	1015799	Capillary Tube Guard	1	1		
24	1020101	Magnetic Catch	2	2		
25	1025400	Rear Element Cover SS	1	1		
	1025401	Rear Element Cover SS 460V				
26	1011097	Element Rear 208 V	1	1		
	1011094	Element Rear 236 V	1	1		
	1011088	Element Rear 460 V	1	1		
27	1011098	Element Center 208 V	1	1		
	1011095	Element Center 236 V	1	1		
	1011096	Element Center 460 V	1	1		
28	1011099	Element Front 208 V	1	1		
	1011096	Element Front 236 V	1	1		
	1011090	Element Front 460 V	1	1		

\* NOT ILLUSTRATED

**RECOMMENDED STOCK PARTS**

## GARLAND PARTS IDENTIFICATION

### ECO/ICO Oven Components

#### Electric

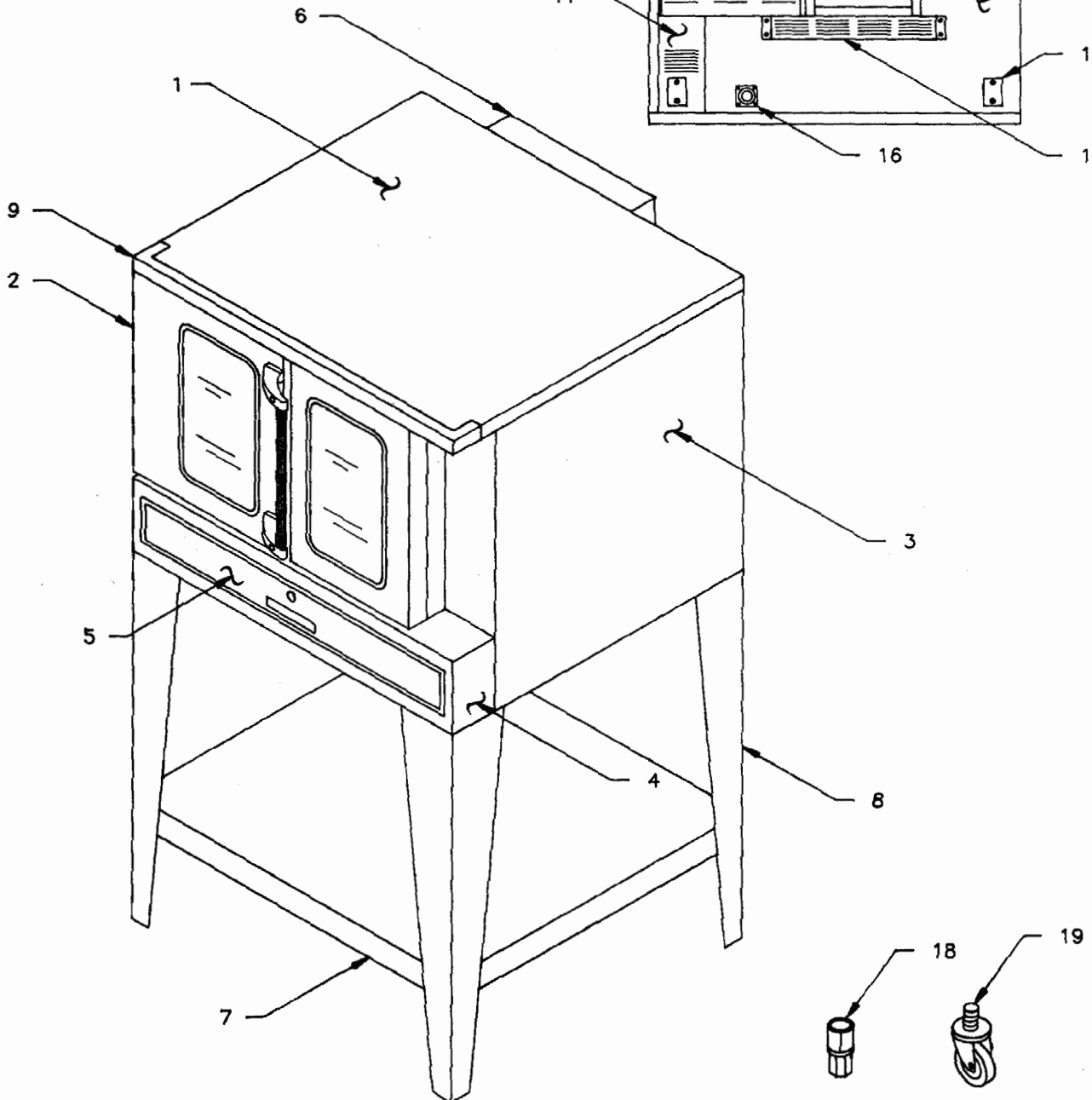
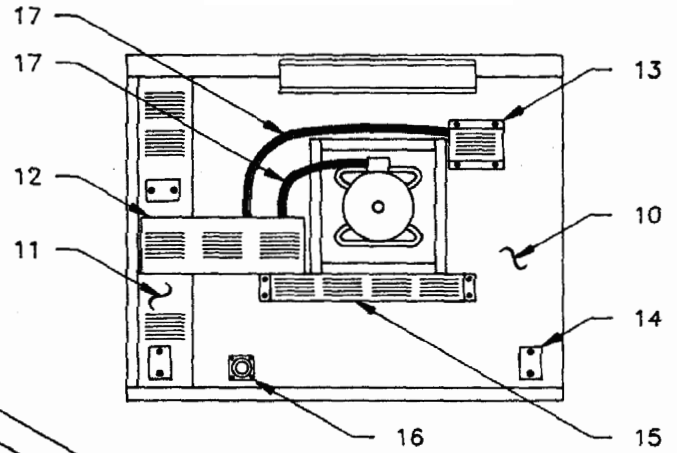
ITEM	PART #	DESCRIPTION	QUANTITY		DATE	
			ECO	ICO	FROM	UP TO
*	1032199	Element Assembly 208 V				
	1032198	Element Assembly 236 V				
	1032197	Element Assembly 460 V				
29	1535000	Wire Shield	1	1		
30	1130102	Fuse Holder	2	2		
31	1130103	Fuse	2	2		
32	1081022	Terminal Block Mounting Bracket	1	1		
33	1193900	Terminal Block	1	1		
34	1028400	Ground Lug	1	1		
35	1267900	Load Control Panel Brace	1	1		
36	1026200	Circuit Breaker	1	1		
	1026201	Circuit Breaker 460 V				
37	1268210	Circuit Breaker Bracket	1	1		

\* NOT ILLUSTRATED

***RECOMMENDED STOCK PARTS***

# ***NOTES***

REAR VIEW



PS93-08 REV 0

## GARLAND PARTS IDENTIFICATION

### ECO/ICO Main Exterior

#### Electric

ITEM	PART #	DESCRIPTION	QUANTITY		Date	
			ECO	ICO	FROM	UP TO
1	1300603	Main Top Standard - CR	1			
	1300602	Main Top Standard - SS	1			
	1300601	Main Top Deep - CR		1		
	1300600	Main Top Deep - SS		1		
2	1300504	Left Body Side - Painted	1			
	1300505	Left Body Side - SS	1			
	1300502	Left Body Side - Deep - Painted		1		
	1300503	Left Body Side - Deep - SS		1		
3	1300504	Right Body Side Painted	1			Nov. 92
	1300505	Right Body Side - SS	1			Nov. 92
	1300506	Right Body Side - Painted	1		Nov. 92	
	1300507	Right Body Side - SS	1		Nov. 92	
	1300502	Right Body Side - Painted		1		Nov. 92
	1300503	Right Body Side - SS		1		Nov. 92
	1300508	Right Body Side - Painted		1	Nov. 92	
4	1301899	Combustion Chamber Assembly	1	1		Nov. 92
	1721099	Combustion Chamber Assembly	1	1	Nov. 92	
5	1301803	Combustion Chamber Door	1	1		
6	1024700	Vent Cover	1	1		
7	1684203	Lower Rack Support - Painted	1			May 93
	1684204	Lower Rack Support - SS	1			May 93
	1684205	Lower Rack Support - Painted		1		May 93
	1684206	Lower Rack Support - SS		1		May 93
	1756203	Lower Rack Support - Painted	1		May 93	
	1756204	Lower Rack Support - SS	1		May 93	
	1756205	Lower Rack Support - Painted		1	May 93	
8	1684789	Leg Assy - Painted - Single Deck	4	4		May 93
	1684788	Leg Assy - SS - Single Deck	4	4		May 93
	1300793	Leg Assy - Painted - Double Deck	4	4		May 93
	1300790	Leg Assy - SS Double Deck	4	4		May 93
	1753299	Leg Assy - Painted - Single Deck	4	4	May 93	
	1753298	Leg Assy - SS - Single Deck	4	4	May 93	
	1753399	Leg Assy - Painted - Double Deck	4	4	May 93	
	1753398	Leg Assy - SS - Double Deck	4	4	May 93	
9	1301100	Main Top Front Veneer	1	1		
	1302600	Main Top Side Veneer	2			
	1302601	Main Top Side Veneer Deep		2		
10	1014710	Main Back	1	1		
11	1015508	Rear Control Panel Selection	1	1		
12	1014813	Junction Box Cover	1	1		
13	1014809	Light Box Cover	1	1		
14	1046500	Rear Patch	3	3		
15	1046500	Element Box Assembly	1	1		
16	1032500	Knock Out Plate	1	1		

\* NOT ILLUSTRATED

#### **RECOMMENDED STOCK PARTS**

## GARLAND PARTS IDENTIFICATION

### ECO/ICO Main Exterior

#### Electric

ITEM	PART #	DESCRIPTION	QUANTITY		Date	
			ECO	ICO	FROM	UP TO
17	1029430	BX Cable	2	2		
	1028501	BX Cable Straight Connector 3/8	2	2		
	1028500	BX Cable 90 Degree Connector 3/8	1	1		
18	1236100	Square Foot Insert	4	4		
19	1027500	Caster Without Brake	2	2		
	1027501	Caster With Brake	2	2		
	1303597	Caster Pads - Painted - Single Deck	4	4		
	1303596	Caster Pads - SS - Single Deck				
	1302099	Caster Pads - Painted Double Deck				May 93
	1755999	Caster Pads - Painted - Double Deck			May 93	
	1755998	Caster Pads - SS Double Deck			May 93	

\* NOT ILLUSTRATED

***RECOMMENDED STOCK PARTS***



## GARLAND PARTS IDENTIFICATION

### Revision History

REV. #	PAGE #	ITEM #	NOTE	DATE
1	3		Index Updated Entire Book Reworked	Jan 29/04

# ***NOTES***

# ***NOTES***



## Free Manuals Download Website

<http://myh66.com>

<http://usermanuals.us>

<http://www.somanuals.com>

<http://www.4manuals.cc>

<http://www.manual-lib.com>

<http://www.404manual.com>

<http://www.luxmanual.com>

<http://aubethermostatmanual.com>

Golf course search by state

<http://golfingnear.com>

Email search by domain

<http://emailbydomain.com>

Auto manuals search

<http://auto.somanuals.com>

TV manuals search

<http://tv.somanuals.com>