



Item: _____
 Quantity: _____
 Project: _____
 Approval: _____
 Date: _____

Models:

- SUMG-100S1 SUMG-100D1 SUMG-200S1 SUMG-200D1



Model SUMG-100S1

Note: Ovens supplied with casters must be installed with an approved restraining device.

Standard Features:

- Summit 20 Series Solid State control with electro- mechanical timer
- Electronic spark ignition, including automatic pilot system with 100% safety shut off
- Two-speed fan control (high, low and pulse) with 3/4 HP fan motor
- Total of 60,000 BTU (17.6 kW) loading per oven cavity
- Natural or propane gas
- Stainless steel front, sides, top, and legs
- 60/40 dependent door design with double pane thermal window in left-hand door and interior lighting
- Porcelain enameled oven interior with coved corners
- Five (5) chrome plated ovens racks on 10-position rack guides
- Double deck models available, 200 models

- One year limited parts and labor warranty (USA and Canada only)
- Five year limited door warranty, excluding window (USA and Canada only)

Optional Features:

- 80,000 BTU (23.4 kW) burner package (natural gas only)
- Windows in both doors
- Stainless steel solid doors
- Stainless steel oven interior
- Extra oven racks
- Swivel casters, (4) w/ front brakes
- Low profile casters, (4) w/ front brakes (double ovens only)
- Open base with rack guides and shelf (stainless steel)
- Canopy diverter (stainless steel)
- Direct connect vent
- Gas flex hose w/quick disconnect & restraining device
- Back enclosure (stainless steel)

Specifications:

U.S. Range Summit Full-Size Standard Depth, suffix S1 or Deep Depth, suffix D1 gas convection oven. 60,000 BTU (17.6 kW) cavity, 3/4 HP fan motor with two-speed fan speed control. Electronic spark ignition. Natural or propane gas. Summit 20 Control. Porcelain enameled oven interior with coved corners, five (5) oven racks and 10-position rack guides. All model interiors are 29" (736mm) W by 24" (610mm) H, depth is 24" (610mm) for standard depth and 28" (711mm) for deep depth. Stainless steel front, sides, top, and legs. 60/40 dependent door design with double pane thermal window in left-hand door and interior lighting. 200 Models are double deck units. Specify voltage if other than 115 volt, 60 Hz, 1 phase. UL, CUL Gas-Fired and NSF Listed.



Garland Commercial Industries, LLC
 185 East South Street
 Freeland, PA 18224
 Phone: (570) 636-1000
 Fax: (570) 636-3903

Garland Commercial Ranges Ltd
 1177 Kamato Road,
 Mississauga, Ontario
 L4W 1X4 CANADA
 Phone: 905-624-0260
 Fax: 905-624-5669

Enodis UK LTD
 Swallowfield Way,
 Hayes, Middlesex
 UB3 1DQ ENGLAND
 Telephone: 081-561-0433
 Fax: 081-848-0041



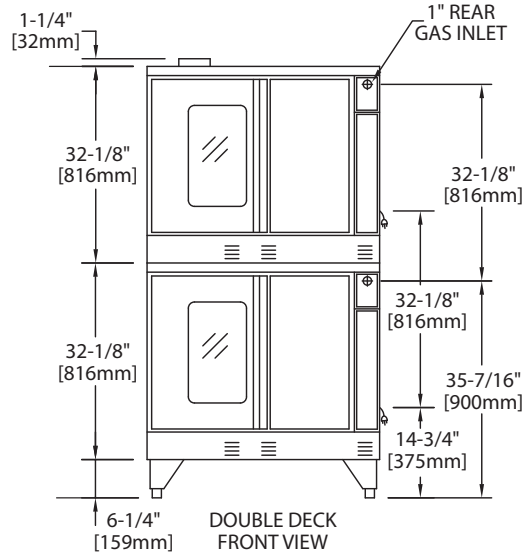
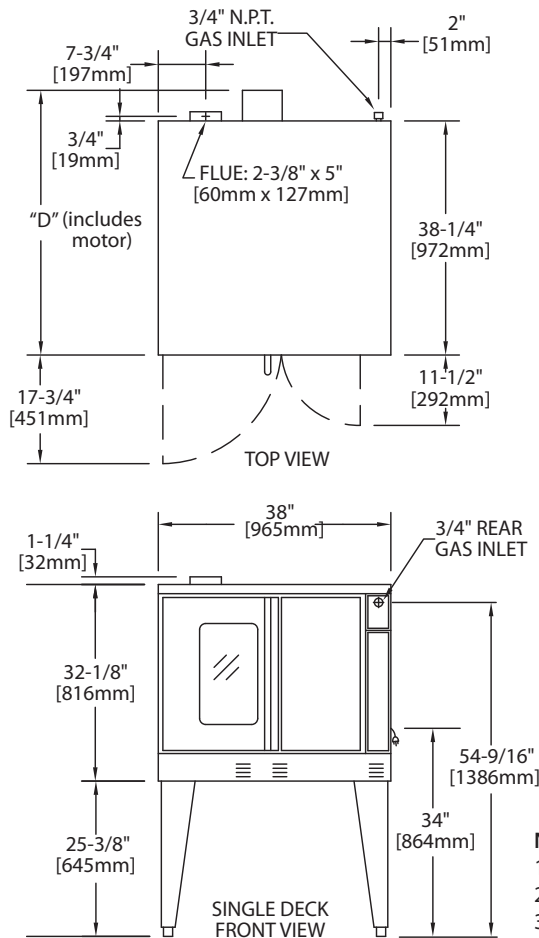
Model	Int. Dimensions: In (mm)			Ext. Dimensions: In (mm)			Ship Wt Lbs/kg	Ship Dim. Cubic Ft.
	W	H	D	W	H**	D (w/motor)		
SUMG-100S1	29 (736)	24 (610)	24 (610)	38 (965)	57-1/2 (1461)	41-1/4 (1048)	510/232	42
SUMG-100D1	29 (736)	24 (610)	28 (711)	38 (965)	57-1/2 (1461)	44-1/2 (1130)	510/232	42
SUMG-200S1	29(736)	24(610)	24(610)	38(965)	70-1/2 (1791)	41-1/4 (1048)	1024/464	84
SUMG-200D1	29(736)	24(610)	28 (711)	38(965)	70-1/2 (1791)	44-1/2 (1130)	1024/464	84

** Height with or without standard casters. Height with low profile casters (double deck) is 68-1/2" (1740mm).

Models	Input Ratings, Natural & Propane			Operating Pressure *		Electrical Specifications	
	BTU/hr	kW Equiv.	Gas Inlet	Natural	Propane	120V/1Ph.	240V/1Ph.
Single Deck	60,000	17.6	(1) @ 3/4" NPT	4.5" WC (11 mbar)	10" WC (25 mbar)	(1)@9.4A	(1)@ 5.2A
Double Deck	120,000	35.2	(1) @1" NPT			(2)@9.4A	(2)@ 5.2A

*Maximum Pressure 13.8" WC @ 70°F (21°C)

Many local codes exist and it is the responsibility of the owner and installer to comply with those codes. These appliances are intended for commercial use by professionally trained personnel.



Instillation Notes:			
Combustible & Non-Combustible Wall Clearances:			
Sides	1" (25mm)	Back	3" (76mm)
Entry Clearances: In (mm)			
Crated	44-1/2 (1130)	Uncrated	32-1/2 (826)

Notes:

- Standard electrical specifications include motor requirements.
- (120V units) 115V, 3/4 HP, 2-speed motor; 1140 and 1725 rpm, 60Hz.
- (240V units) 200-240V, 3/4 HP, 2-speed motor; 1140 and 1725 rpm, 60 Hz
- A 6 ft. line cord is provided for each 120V deck with a (NEMA #5-15P) plug.
- U. S. Range recommends a separate 15 AMP circuit for each 120V unit.

Gas Input Ratings shown here are for installations up to 2,000 ft. (610m) above sea level. Specify altitudes over 2,000 ft.

Form# SUMG (06/07)

Garland Commercial Industries, LLC
185 East South Street
Freeland, PA 18224
Phone: (570) 636-1000
Fax: (570) 636-3903

Garland Commercial Ranges Ltd
1177 Kamato Road,
Mississauga, Ontario
L4W 1X4 CANADA
Phone: 905-624-0260
Fax: 905-624-5669

Enodis UK LTD
Swallowfield Way,
Hayes, Middlesex
UB3 1DQ ENGLAND
Telephone: 081-561-0433
Fax: 081-848-0041

Free Manuals Download Website

<http://myh66.com>

<http://usermanuals.us>

<http://www.somanuals.com>

<http://www.4manuals.cc>

<http://www.manual-lib.com>

<http://www.404manual.com>

<http://www.luxmanual.com>

<http://aubethermostatmanual.com>

Golf course search by state

<http://golfingnear.com>

Email search by domain

<http://emailbydomain.com>

Auto manuals search

<http://auto.somanuals.com>

TV manuals search

<http://tv.somanuals.com>