



36 E Series Heavy Duty Combination Top Range

Item: _____
 Quantity: _____
 Project: _____
 Approval: _____
 Date: _____

36 E Series Heavy Duty Combination Top Range

Models:

- 36ER33-88 36ES33-88 36ET33-88

Combination Grill And Open Element Top Range



Model 36ER33-88

Standard Features:

- Stainless steel front with black powder coat epoxy sides
- Stainless steel front rail
- Chrome plated, 4 position removable rack guides w/oven rack
- Electro-mechanical heavy-duty oven thermostat
- 24" (610mm) griddle plate with two thermostat controls
- Two tubular elements
- 3" (76mm) high stainless steel vent raiser
- Heat resistant, cool to touch oven door handle
- 6" (152mm) adjustable chrome plated legs (NSF)
- One Year limited parts & labor (USA & Canada)

Optional Features:

- Stainless steel sides
- Stainless steel main back (R&S models)
- Extra oven rack
- Swivel casters complete with front brakes (4)
- 6" (152mm) adjustable stainless steel legs
- Convection oven base (add suffix C to model number, e.g. 36ERC33-88)
- Marine equipment - storm rails for pots, hand rails, oven door latch, drip tray stop and deck fasteners

NOTE: Ranges supplied with casters must be installed with an approved restraining device.

Specifications:

Heavy-duty electric range Model 36ER33-88, combination top. Top consists of one 24" (610mm) griddle and one 12" (305mm) open tubular element section. Full size oven is controlled by a heavy-duty electromechanical thermostat. Griddle has two thermostatically controlled sections. Each element is controlled by a three-heat switch. Oven interior is 13.5" (343mm) high x 26.25" (667mm) wide x 29" (533mm) deep with removable four-position chrome plated rack guides and one oven rack, front and rear stainless steel grease troughs. Available with convection oven base, 21.75" (552mm) deep. Stainless steel front and black powder coat epoxy sides. Circuit breakers or fuses provide electric circuit protection. Available with casters or for dais mount. Model 36ES33-88 has storage base in lieu of oven section. Model 36ET33-88 has a modular top.



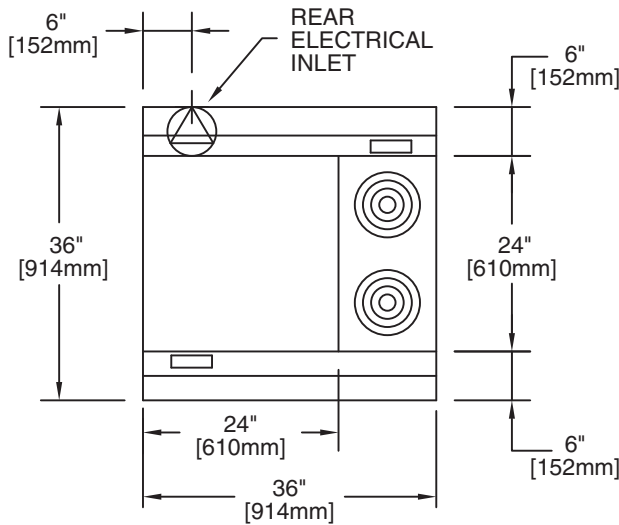
Garland Commercial Industries, LLC
 185 East South Street
 Freeland, PA 18224
 Phone: (570) 636-1000
 Fax: (570) 636-3903

Garland Commercial Ranges Ltd
 1177 Kamato Road,
 Mississauga, Ontario
 L4W 1X4 CANADA
 Phone: 905-624-0260
 Fax: 905-624-5669

Enodis UK LTD
 Swallowfield Way,
 Hayes, Middlesex
 UB3 1DQ ENGLAND
 Telephone: 081-561-0433
 Fax: 081-848-0041

Enodis

MODEL	TOTAL kW	3-PHASE kW PER PHASE ALL VOLTAGES			NOMINAL AMPERES PER LINE							
					SINGLE PHASE		THREE PHASE					
		X-Y	Y-Z	X-Z	208V	240V	X	Y	Z	X	Y	Z
36ER33-88	20.7	6.5	4.2	10	99	88	69	45	60	61	40	53
36ES/ET33-88	14.2	5	4.2	5	68	60	42	39	39	37	34	34
36ERC33-88	19.6	5	4.6	10	94.2	81.7	63	40	61	55	35	53

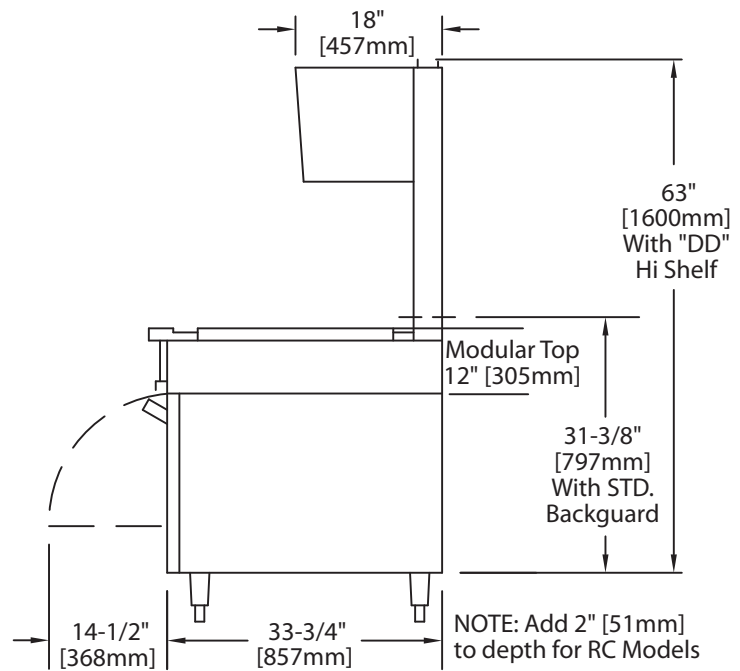
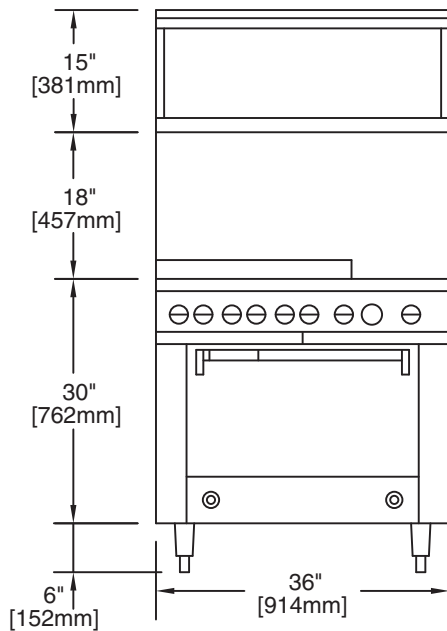


CLEARANCES			
ENTRY		TO COMBUSTIBLE WALL	
CRATED	UNCRATED	SIDES	REAR
41-1/4" (1048mm)	36-1/4" (921mm)	3" (76mm)	1-1/2" (38mm)

NOTE: For ranges with convection oven(s), (models with suffix 'RC'), air circulation is required for proper operation of fan motors. These models must not be daisy mounted or installed with out legs.

Shipping Cubic Feet 51; Modular 20

Garland products are not approved or authorized for home or residential use, but are intended for commercial applications only. Garland will not provide service, warranty, maintenance or support of any kind other than in commercial applications.



Form# 36ER33-88 (07/07)

Garland Commercial Industries, LLC
185 East South Street
Freeland, PA 18224
Phone: (570) 636-1000
Fax: (570) 636-3903

Garland Commercial Ranges Ltd
1177 Kamato Road,
Mississauga, Ontario
L4W 1X4 CANADA
Phone: 905-624-0260
Fax: 905-624-5669

Enodis UK LTD
Swallowfield Way,
Hayes, Middlesex
UB3 1DQ ENGLAND
Telephone: 081-561-0433
Fax: 081-848-0041

Enodis

Free Manuals Download Website

<http://myh66.com>

<http://usermanuals.us>

<http://www.somanuals.com>

<http://www.4manuals.cc>

<http://www.manual-lib.com>

<http://www.404manual.com>

<http://www.luxmanual.com>

<http://aubethermostatmanual.com>

Golf course search by state

<http://golfingnear.com>

Email search by domain

<http://emailbydomain.com>

Auto manuals search

<http://auto.somanuals.com>

TV manuals search

<http://tv.somanuals.com>