



Cuisine Series Heavy Duty Even Heat Hot Top Range

Item: _____
 Quantity: _____
 Project: _____
 Approval: _____
 Date: _____

Cuisine Series Heavy Duty Even Heat Hot Top Range

Models:

- C836-9 C0836-9 C0836-9M

Range with Two 18"
Even Heat Hot Tops



Model C386-9

Note: Range-based convection oven models can be located in the middle of a battery, banked back-to-back with other equipment, and can be positioned against a wall

Standard Features:

- 32,500 BTU per 18"(457mm) hot top section
- Full-range burner valve control
- Stainless steel front and sides
- Stainless steel front rail w/position adjustment bar
- 1-1/4" NPT front gas manifold
- Can be installed individually or in a battery
- Automatic lighting - all burners
- 6" (152mm) H stainless steel stub back
- 6" (152mm) Chrome steel adj. legs
- Stainless steel oven interior w/ removable porcelain bottom
- 40,000 BTU oven burner
- One chrome placed rack per oven - four positions
- Fully insulated oven interior
- 100% safety oven pilot
- Oven thermostat control - 150°-500°F (66°-260°C)

Optional Features:

- Range base convection oven (add RC)

- Stainless steel back
- Porcelain oven interior in lieu of stainless steel interior - NC
- Single or double deck high shelf or back riser
- Modular unit w/ legs & shelf (suffix M)
- Modular unit w/o legs on Refrig. Base (change suffix M to PC)
- Stainless steel intermediate shelf for cabinet base
- Stainless steel door(s) for cabinet base units
- Continuous plate shelf, 48-72" for battery installations
- Gas shut-off valves - 3/4", 1", 1 1/4" NPT (Specify)
- Gas regulator: 3/4"- 1 1/4" NPT (Specify)
- Gas flex hose w/ quick disconnect 3/4", 1", 1 1/4" (Specify)
- Stainless steel legs (set of four)
- Flanged feet set of four
- Swivel casters (4) w/ front locking
- Casters w/ polyurethane wheels - non marking
- Extra oven rack
- Rear Gas Connection:, 3/4" NPT (max 250,000 BTU's) or 1-1/4" NPT

Specifications:

U.S. Range Cuisine Series 36" (914mm) wide Heavy Duty Range Series. Model _____ with total BTU/hr rating of _____ when used with natural/propane gas. Stainless steel front and sides. 6" (152mm) legs with adjustable feet.

Ovens - One piece oven door. Stainless steel oven interior with a heavy-duty, "keep-cool" door handle. Standard oven comes with a thermostat with a temperature range from 150° (low) to 500°F (66°-260°C). One chrome plated oven rack for standard ovens and three for convection ovens.

18" (457mm) Section Even Heat Hot Tops - 32,500 BTU/hr each burner with one per plate.



NOTE: Ranges supplied with casters must be installed with an approved restraining device.

Garland Commercial Industries, LLC
185 East South Street
Freeland, PA 18224
Phone: (570) 636-1000
Fax: (570) 636-3903

Garland Commercial Ranges Ltd
1177 Kamato Road,
Mississauga, Ontario
L4W 1X4 CANADA
Phone: 905-624-0260
Fax: 905-624-5669

Enodis UK LTD
Swallowfield Way,
Hayes, Middlesex
UB3 1DQ ENGLAND
Telephone: 081-561-0433
Fax: 081-848-0041

Enodis

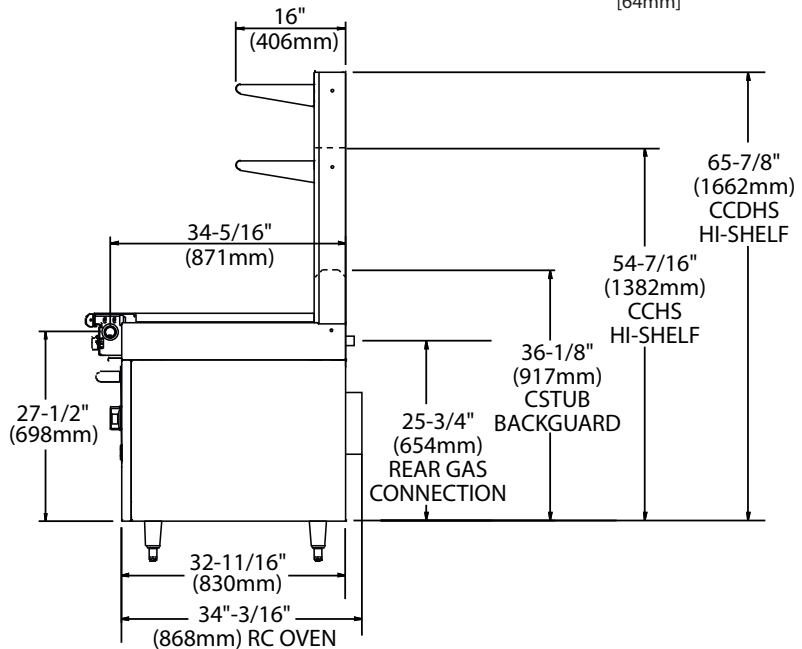
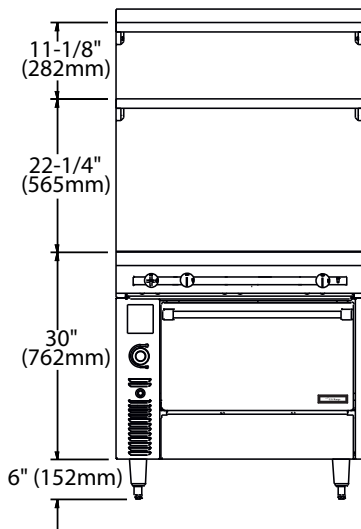
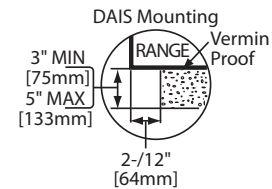
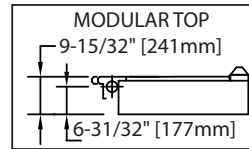
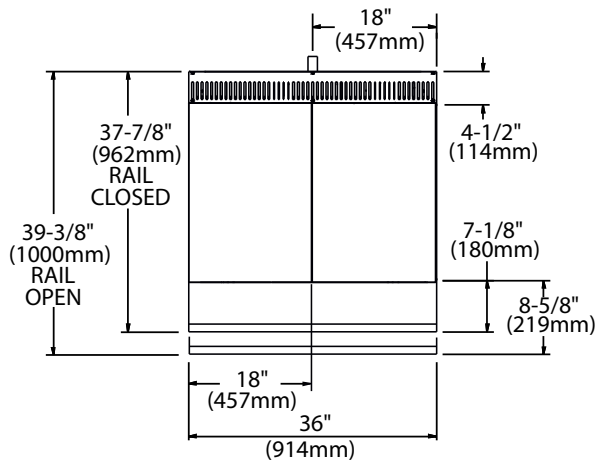
| Model # | Description | Total BTU (NAT. Gas) |
|---------|--|----------------------|
| C836-9* | Two (2) - 18" (457mm) Hot Tops - Standard Oven | 105,000 |
| C0836-9 | Two (2) - 18" (457mm) Hot Tops - Cabinet | 65,000 |
| C0836-9 | Two (2) - 18" (457mm) Hot Tops - Modular | 65,000 |

* Add Suffix "RC" For Convection Oven Base

| Individual Burner Ratings (BTU/hr) | | |
|------------------------------------|--------|--------|
| Burner | NAT. | PRO. |
| 18" Hot Top | 32,500 | |
| Std. Oven | 40,000 | 35,000 |
| Conv. Oven | 37,000 | 35,000 |

| Interior Dimensions: In (mm) | | | |
|------------------------------|--------------|--------------|----------|
| Product | Height | Width | Depth |
| Standard Oven | 13-1/2(323) | 26-1/4 (667) | 29 (737) |
| Convection | 13-1/2(323) | 26-1/4 (667) | 25 (635) |
| Cabinet Base | 20-1/2 (521) | 32-1/4 (819) | 31 (787) |

| Gas Pressure | NAT. | PRO. |
|-------------------------|-------|--------|
| Min. Supply | 7" WC | 11" WC |
| Manifold Operating | 6" WC | 10" WC |
| Gas Manifold 1-1/4" NPT | | |



| Combustible Wall Clearance | |
|----------------------------|------------|
| Sides | Back |
| 6" (152mm) | 6" (152mm) |

Form# C836-09 (08/07)

Garland Commercial Industries, LLC
185 East South Street
Freeland, PA 18224
Phone: (570) 636-1000
Fax: (570) 636-3903

Garland Commercial Ranges Ltd
1177 Kamato Road,
Mississauga, Ontario
L4W 1X4 CANADA
Phone: 905-624-0260
Fax: 905-624-5669

Enodis UK LTD
Swallowfield Way,
Hayes, Middlesex
UB3 1DQ ENGLAND
Telephone: 081-561-0433
Fax: 081-848-0041

Enodis

Free Manuals Download Website

<http://myh66.com>

<http://usermanuals.us>

<http://www.somanuals.com>

<http://www.4manuals.cc>

<http://www.manual-lib.com>

<http://www.404manual.com>

<http://www.luxmanual.com>

<http://aubethermostatmanual.com>

Golf course search by state

<http://golfingnear.com>

Email search by domain

<http://emailbydomain.com>

Auto manuals search

<http://auto.somanuals.com>

TV manuals search

<http://tv.somanuals.com>