



Performer S Series 72" Medium Duty Range

Item: _____
 Quantity: _____
 Project: _____
 Approval: _____
 Date: _____

Performer S Series 72" Medium Duty Range

Models:

- PS-12-2626 PS-12G-10-2626 PS-24G-8-2626 PS-36G-6-2626 PS-48G-6-2626
 PS-12-26 PS-12G-10-26 PS-24G-8-26 PS-36G-6-26



Model PS-12-2626

NOTE: Ranges supplied with casters must be installed with an approved restraining device.

Standard Features:

- Stainless steel front, sides, and front plate rail
- Stainless steel two piece backguard and plate shelf
- Large, durable control knobs
- 6" (152mm), chrome plated adjustable legs
- Pressure regulator; 3/4" (19mm), rear gas connection

Standard on Applicable Models:

- Cabinet base in lieu of (1) oven
- One-piece, cast iron, lift-off top grate; each 12" (305mm), wide x 25" (635mm), deep on open burners
- Geometric open burner with center pilot; 32,000 BTU/Hr (NAT) or 28,000 BTU/Hr (PRO) per burner
- Large capacity, removable, aluminumized drip pan for open burners
- 5/8" (16mm) thick steel plate manual valve control griddle, 20-1/2" (305mm) working depth, standard on left
- one griddle burner every 12" (305mm) section, rated 20,000 BTU/Hr.
- 3" (76mm), wide drip trough to internal grease drawer for griddles
- 26" Standard, full-size oven (s): w/ steel burner rated 35,000 BTU/Hr

- Oven thermostat with temperature range of Low to 500°F, (260°C)
- Chrome plated oven rack on removable 4-position rack guides
- Porcelainized oven interior, (excluding top)
- Strong, keep-cool oven door handle

Optional Features:

- Thermostat griddle control
- 1" (25mm) thick griddle plate in lieu of 5/8" (16mm)
- Stainless steel, 5" (127mm), stub back, in lieu of High Shelf, NC
- Extra oven racks
- 6" (152mm), swivel casters, (4)two locking
- Hot top in lieu of two open burners
- Stainless steel work surface in lieu of two open burners
- Grooved griddle
- Convection oven, in lieu of standard oven w/1725RPM, 1/3HP fan motor, 3 chrome plated oven racks on 3-position rack guides
- Stainless steel door(s) on cabinet base models
- Stainless steel intermediate shelf in cabinet base
- Reverse griddle location, (right side)
- Stainless steel legs
- Deck fasteners (4) (S/S flanged feet)

Specifications:

Medium-Duty Range, Model: _____, with total BTU/Hr rating of: _____, when fueled by natural/propane gas. Finish is to be stainless steel, front and sides. Unit is to have 6" (152mm) legs with adjustable feet.

Oven: Oven door is to be one piece. Oven interior is to be porcelainized with a heavy-duty, "keep cool" door handle. Standard oven to come with a thermostat having temperature range from Low to 500°F, (260°C). Oven interior is to have one chrome plated oven rack and four-position rack guides.

Open Burners: are to be 32,000 BTU/Hr per burner, (NAT)/28,000 BTU/Hr (PRO) per burner, with center pilot and a one-piece, cast iron top grate over two open burners.

Griddles: are to be 5/8" (16mm), thick steel plate with 3" (76mm), wide grease trough. Burners are to be rated 20,000 BTU/Hr per burner. One burner per 12" (305mm), section.



Garland Commercial Industries, LLC
185 East South Street
Freeland, PA 18224
Phone: (570) 636-1000
Fax: (570) 636-3903

Garland Commercial Ranges Ltd
1177 Kamato Road,
Mississauga, Ontario
L4W 1X4 CANADA
Phone: 905-624-0260
Fax: 905-624-5669

Enodis UK LTD
Swallowfield Way,
Hayes, Middlesex
UB3 1DQ ENGLAND
Telephone: 081-561-0433
Fax: 081-848-0041

Enodis

Model Number	Description	Total BTU/Hr	Shipping Information	
			Lbs./Kg	Cube
PS-12-2626	Twelve Open Burners w/(2) 26" Ovens	454,000	900/409	100
PS-12-26	Twelve Open Burners w/(1) 26" Oven, (1) Cabinet Base	419,000	860/391	100
PS-12G-10-2626	12" Griddle, Ten Open Burners w/(2) 26" Ovens	410,000	930/423	100
PS-12G-10-26	12" Griddle, Ten Open Burners w/(1) 26" Oven, (1) Cabinet Base	375,000	890/405	100
PS-24G-8-2626	24" Griddle, Eight Open Burners w/(2) 26" Ovens	366,000	965/439	100
PS-24G-8-26	24" Griddle, Eight Open Burners w/(1) 26" Oven, (1) Cabinet Base	331,000	925/421	100
PS-36G-6-2626	36" Griddle, Six Open Burners w/(2) 26" Ovens	322,000	1000/454	100
PS-36G-6-26	36" Griddle, Six Open Burners w/(1) 26" Oven, (1) Cabinet Base	287,000	960/436	100
PS-48G-4-2626	48" Griddle, Four Open Burners w/(2) 26" Ovens	278,000	1020/464	100

Width	Depth	Height		Oven Interior			Combustible Wall Clearance	
		w/Legs	w/o Legs	Height	Depth	Width	Sides	Rear
72" (1829mm)	32" (813mm)	38-1/2" (978mm)	32-1/2" (826mm)	13-1/2" (343mm)	22" (559mm)	26-1/4" (667mm)	9" (229mm)	6" (152mm)

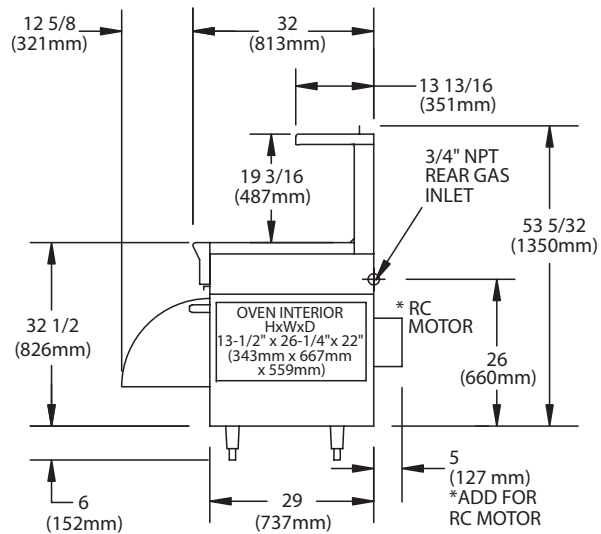
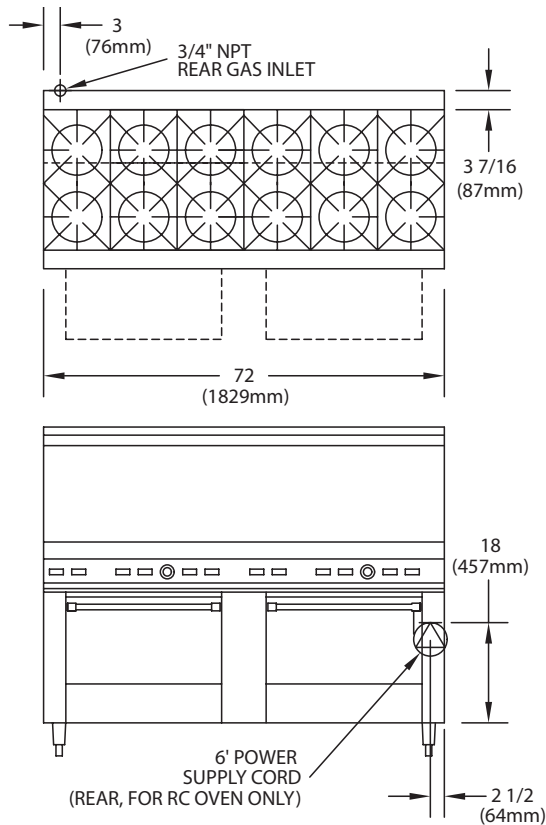
Optional Convection Oven (per oven)			
115V	60Hz	1 Ø	5 Amps
6-ft. cord and plug included.			

Burner Ratings (BTU/Hr)		
Open	Griddle/Hot Top	Oven
32,000	20,000	35,000

Manifold Operating Pressure	
Natural	Propane
4.5" WC	10.0" WC

Entry Clearances	
Crated	Uncrated**
46" (1168mm)	34" (864mm)

**With "RC" option: 39" (991mm)



Form# PS 72 (07/07)

Garland Commercial Industries, LLC
185 East South Street
Freeland, PA 18224
Phone: (570) 636-1000
Fax: (570) 636-3903

Garland Commercial Ranges Ltd
1177 Kamato Road,
Mississauga, Ontario
L4W 1X4 CANADA
Phone: 905-624-0260
Fax: 905-624-5669

Enodis UK LTD
Swallowfield Way,
Hayes, Middlesex
UB3 1DQ ENGLAND
Telephone: 081-561-0433
Fax: 081-848-0041

Enodis

Free Manuals Download Website

<http://myh66.com>

<http://usermanuals.us>

<http://www.somanuals.com>

<http://www.4manuals.cc>

<http://www.manual-lib.com>

<http://www.404manual.com>

<http://www.luxmanual.com>

<http://aubethermostatmanual.com>

Golf course search by state

<http://golfingnear.com>

Email search by domain

<http://emailbydomain.com>

Auto manuals search

<http://auto.somanuals.com>

TV manuals search

<http://tv.somanuals.com>