

# SunFire®

## X Series 60" Raised Griddle/Broiler Gas Range

Item: \_\_\_\_\_  
Quantity: \_\_\_\_\_  
Project: \_\_\_\_\_  
Approval: \_\_\_\_\_  
Date: \_\_\_\_\_

Models:

- X60-6R24RR       X60-6R24RS       X60-6R24SS



Model X60-6R24RR

NOTE: Ranges supplied with casters must be installed with an approved restraining device.

### Standard Features:

- Large 27" (686mm) work top surface
- Stainless steel front and sides
- Stainless steel 4" (102mm) plate rail
- Stainless steel backguard w/ removable stainless steel shelf
- 24" (610mm) raised griddle broiler section w/3 cast iron burners each rated 14,500 Btuh/4-25kW
- 12" (305mm) section stamped drip trays w/ dimpled bottom
- Durable easy to read control knobs
- Easy to clean 6" (152mm) steel core, injected molded legs
- Pressure regulator, 1" NPT
- Ergonomic split cast iron top ring grates
- 30,000 Btuh/ 8.79 kW 2 piece cast iron "Q" style donut open burner
- 5/8" (15mm) thick steel griddle plate w/manual hi/lo valve control
- 4-1/4" (108mm) wide grease trough
- Heavy duty oven door w/keep-cool handle
- Straight steel tube oven burner 33,000 Btuh/9.67 kW

- Standard size Sunfire oven w/ ribbed porcelain oven bottom and door interior, aluminized top, sides and back
- Oven thermostat w/ Low to 500° F (260° C)
- Nickel plated oven rack with two fixed position oven rack guides
- Cabinet base in lieu of oven(s)

### Optional Features:

- Hot top 12" (305mm) plate, 5/8" (15mm) thick in lieu of two open burners, manual valve controlled w/18,000 Btuh/5.27 kW cast iron burner; standard on left side
- Shelf for cabinet base models
- Low profile 9-3/8" (238mm) backguard stainless steel front and sides
- Stainless steel back for backguard
- Additional oven racks
- 6" (152mm) swivel casters (4), w/ front locking
- Flanged deck mount legs
- Celsius temperature dials

### Specifications:

Gas restaurant series range with 2 standard size Sunfire ovens. 59-1/16" (1500mm) wide with a 27" (686mm) deep work top surface. Stainless steel front, sides and 4" (102mm) wide front rail. 6" (152mm) legs with adjustable feet. Six robust 2 piece 30,000 Btuh/8.797 kW (Natural gas), cast open burners set in split cast iron ergonomic grates. 24" (610mm) raised griddle/broiler with cast iron burners each rated at 14,500 Btuh/4.25kW. Optional hot top with cast iron "H" style burners, 18,000 Btuh/5.27 kW (natural gas), in lieu of open burners. Porcelain oven bottom and door liner. Two position fixed rack guide w/one oven rack. Heavy duty oven door with "keep cool" door handle. Straight steel tube oven burner 33,000 Btuh/9.67 kW (natural gas) provides quality bake and good recovery. Oven thermostat ranges from Low to 500° F (260° C). Available with storage base.



Garland Commercial Industries, LLC  
185 East South Street  
Freeland, PA 18224  
Phone: (570) 636-1000  
Fax: (570) 636-3903

Garland Commercial Ranges Ltd  
1177 Kamato Road,  
Mississauga, Ontario  
L4W 1X4 CANADA  
Phone: 905-624-0260  
Fax: 905-624-5669

Enodis UK LTD  
Swallowfield Way,  
Hayes, Middlesex  
UB3 1DQ ENGLAND  
Telephone: 081-561-0433  
Fax: 081-848-0041

Enodis

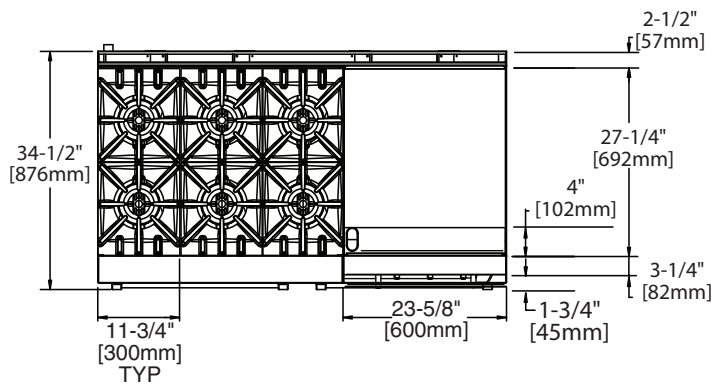
X Series 60" Raised Griddle/Broiler Gas Range

Model Number	Description	Total BTU/Hr Natural	Shipping Information		
			Lbs.	Kg	Cu Ft
X60-6R24SS	6 Open Burners, 24" Raised Griddle/Broiler w/ Double Storage Base	213,000	662	300	81
X60-6R24RR	6 Open Burners, 24" Raised Griddle/Broiler w/ (2) Standard Ovens	279,000	828	376	81
X60-6R24RS	6 Open Burners, 24" Raised Griddle/Broiler w/ (1) Standard Ovens & Storage Base	246,000	787	357	81

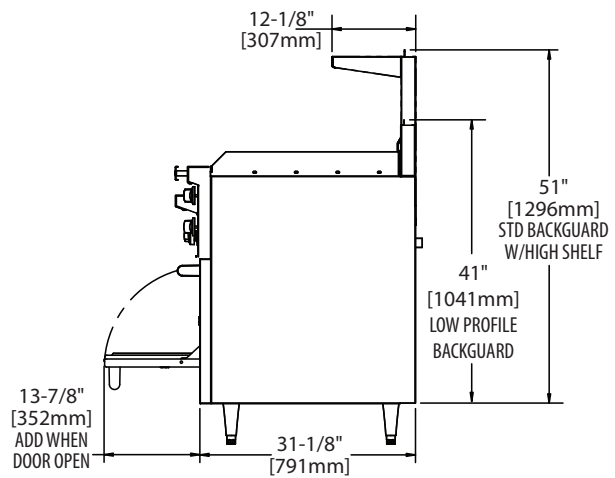
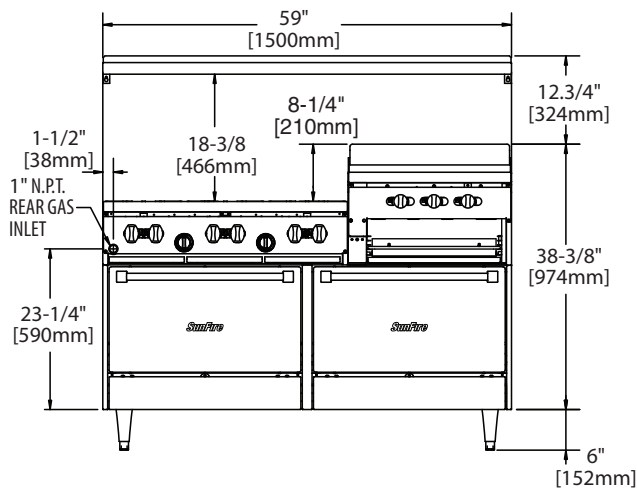
Width In (mm)	Depth In (mm)	Height w/shelf In (mm)	Oven Interior-in (mm)			Combustible Wall Clearance-In (mm)		Entry Clearances In (mm)		Manifold Operating Pressure	
			Height	Depth	Width	Sides	Rear	Crated	Uncrated	Natural	Propane
59-1/16 (1500)	33-1/2 (8512)	57 (1448)	13 (330)	22 (559)	26-1/4 (667)	14 (356)	6 (152)	37 (940)	36-1/2 (927)	4.5" WC 11 mbar	10" 25 mbar

Gas input ratings shown for installations up to 2000 ft.,(610m) above sea level. Please specify altitudes over 2000 ft.

Gas Type	Burner Ratings (BTU/Hr/kW)			
	Open Top	Hot Top	Standard Oven	Raised Griddle/Broiler
Natural	30,000/8.79	18,000/5.27	33,000/9.67	33,000/9.66
Propane	26,000/7.61	18,000/5.27	29,000/8.50	33,000/9.66



Note: Installation clearance reductions are applicable only where local codes permit.  
This product is not approved for residential use.



Form# XRB60 Series (09/02/08)

Garland Commercial Industries, LLC  
185 East South Street  
Freeland, PA 18224  
Phone: (570) 636-1000  
Fax: (570) 636-3903

Garland Commercial Ranges Ltd  
1177 Kamato Road,  
Mississauga, Ontario  
L4W 1X4 CANADA  
Phone: 905-624-0260  
Fax: 905-624-5669

Enodis UK LTD  
Swallowfield Way,  
Hayes, Middlesex  
UB3 1DQ ENGLAND  
Telephone: 081-561-0433  
Fax: 081-848-0041

Enodis®

## Free Manuals Download Website

<http://myh66.com>

<http://usermanuals.us>

<http://www.somanuals.com>

<http://www.4manuals.cc>

<http://www.manual-lib.com>

<http://www.404manual.com>

<http://www.luxmanual.com>

<http://aubethermostatmanual.com>

Golf course search by state

<http://golfingnear.com>

Email search by domain

<http://emailbydomain.com>

Auto manuals search

<http://auto.somanuals.com>

TV manuals search

<http://tv.somanuals.com>