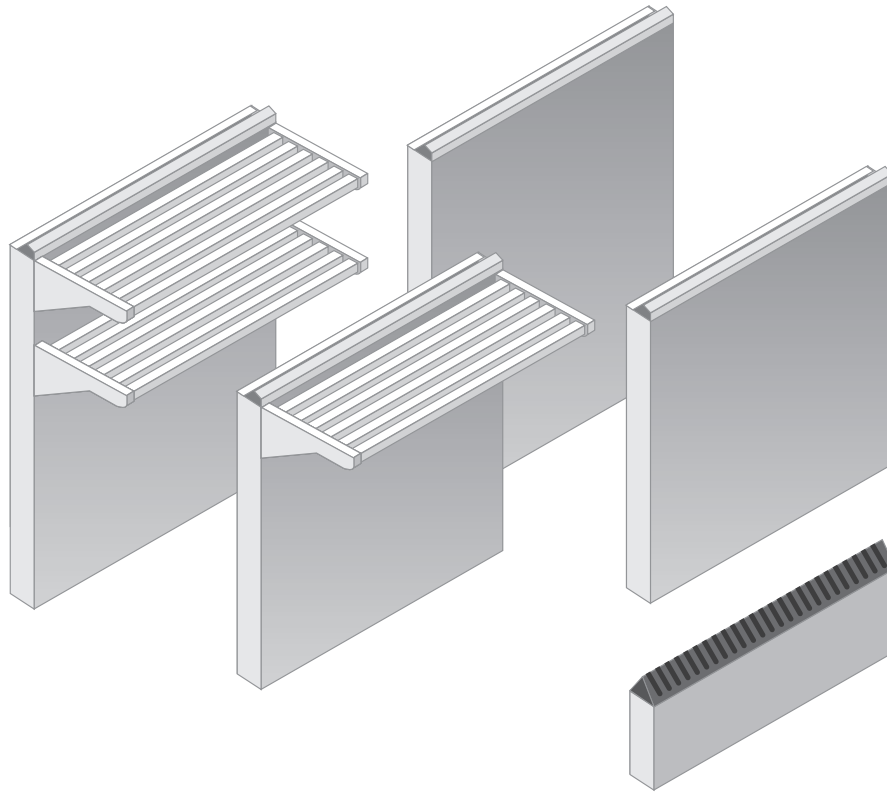




# GARLAND®

**Master Series:**

- Double Deck Tubular High Shelf, (DDHS)
- Single Deck Tubular High Shelf, (SDHS)
- 10,17, & 33 Inch Backguards, (BG)
- Vertical Flue Riser



**Double & Single Deck Tubular High Shelves**

Double and Single Deck High Shelves are precision-designed to install with all Master Series ranges, and attachments up to a maximum width of 68 inches, (1728mm), (other sizes can be special-ordered). Shelves constructed of 1" (25mm) square tubing with 1" (25mm) spaces between each tube, provide convenient storage for condiments and cooking utensils.

**Backguards**

10" (255mm) high, low profile backguards; 17" (433mm) high, backguards; and 33" (838mm) high, double deck backguards are precision-designed to install with all Master Series ranges attachments and fryers up to a maximum of 68" (1728mm), (other sizes can be special-ordered). Backguards provide venting for safe, efficient operation of Master Series equipment.

**Vertical Flue Risers**

Vertical Flue Risers are also available. One flue riser is required for each range. Vertical flue risers measure 13" (331mm) wide by 3" (76mm) deep by 33" (841mm) high, and the standard finish is stainless steel. Flue risers direct exhaust gases from back-to-back island range installations where channeled ventilation is necessary.

**Features**

- Stainless steel front and both sides are standard
- Provides recommended emit venting for safe & efficient operation of all Master Series ranges attachments, open broilers and fryers.
- Designed for easy and precise attachment to all Master Series ranges and equipment
- Available optional stainless steel main back
- Available in range of eight, (8), standard sizes up to a maximum of 68 inches, (1728mm)

**Garland Commercial Industries, Inc.**  
 185 East South Street  
 Freeland, Pennsylvania 18224  
 Phone: (570) 636-1000  
 Fax: (570) 636-3903

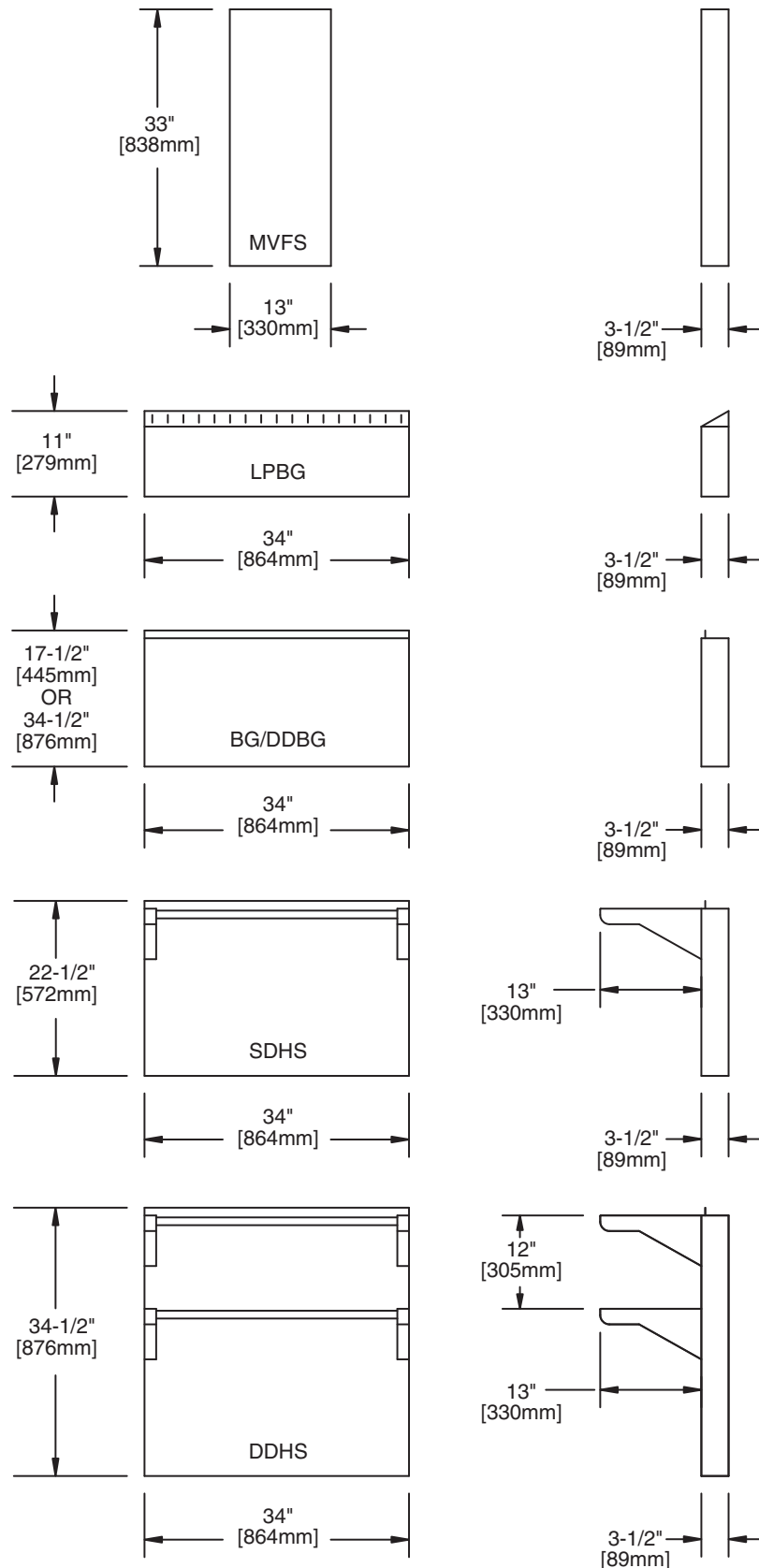
**Garland Commercial Ranges Ltd**  
 1177 Kamato Road, Mississauga, Ontario  
 L4W 1X4 CANADA  
 Phone: 905-624-0260  
 Fax: 905-624-5669

**Enodis UK LTD**  
 Swallowfield Way, Hayes, Middlesex  
 UB3 1DQ ENGLAND  
 Telephone: 081-561-0433  
 Fax: 081-848-0041

GARLAND® GAS Master Series Shelves, Backguards & Flue Risers

Master Series:

- Double Deck Tubular High Shelf, (DDHS)
- Single Deck Tubular High Shelf, (SDHS)
- 10,17 & 33 Inch Backguards, (BG)
- Vertical Flue Riser



DIMENSIONS:	
DDHS, SDHS & BG	
<b>Widths</b>	17" (433mm)
	24" (612mm)
	34" (867mm)
	41" (1045mm)
	48" (1224mm)
	51" (1300mm)
	58" (1479mm)
	68" (1734mm)
DDHS	
<b>Depth</b>	16-1/2 (419mm)
<b>Height</b>	34-1/2 (1734mm)
SDHS	
<b>Depth</b>	16-1/2 (419mm)
<b>Height</b>	22-1/2" (574mm)
BG	
<b>Depth</b>	3-1/2' (89mm)
<b>Height</b>	11" (280 mm) or
	17"-1/2' (446mm) or
	33-1/2" (851mm)
Vertical Flue Riser	
<b>Width</b>	13" (331mm)
<b>Depth</b>	3-1/2' (89mm)
<b>Height</b>	34-1/2" (873mm)

DDHS = Double Deck High Shelf  
 SDHS = Single Deck High Shelf  
 BG = Backguard

Continuous product improvement is a Garland policy. Specifications and design are subject to change without notice.

## Free Manuals Download Website

<http://myh66.com>

<http://usermanuals.us>

<http://www.somanuals.com>

<http://www.4manuals.cc>

<http://www.manual-lib.com>

<http://www.404manual.com>

<http://www.luxmanual.com>

<http://aubethermostatmanual.com>

Golf course search by state

<http://golfingnear.com>

Email search by domain

<http://emailbydomain.com>

Auto manuals search

<http://auto.somanuals.com>

TV manuals search

<http://tv.somanuals.com>