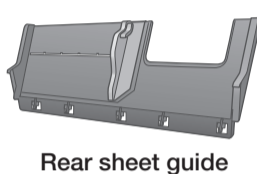
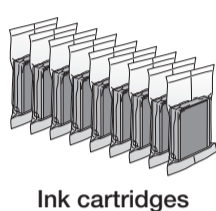
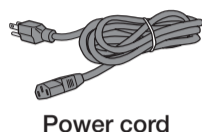
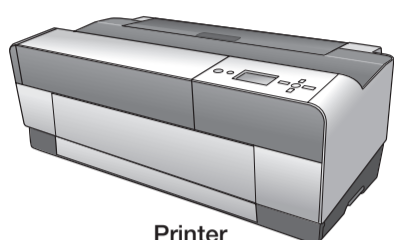


Epson Stylus® Pro 3880

Start Here

Unpack

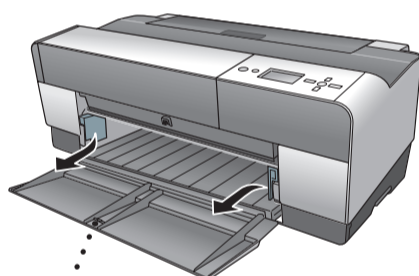
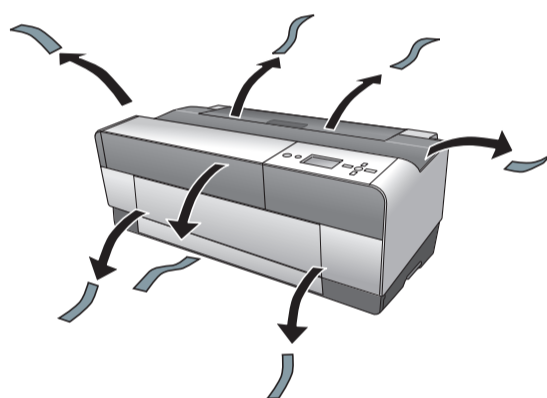
- 1** Make sure you have these items:



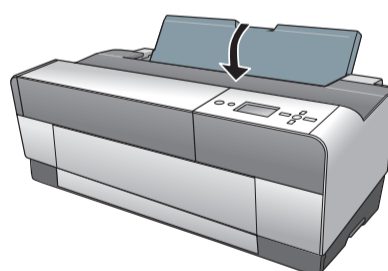
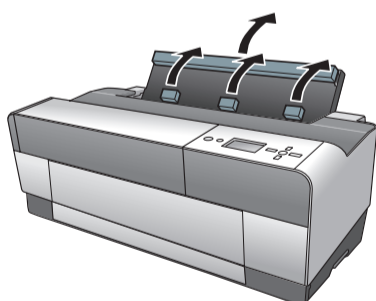
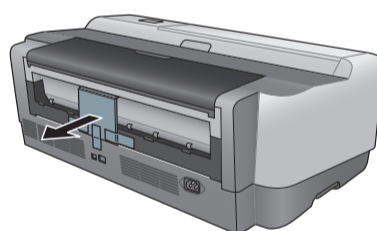
Warning: The printer weighs about 43 pounds (20 kilograms) and should be lifted and moved by two people.

Note: Do not open ink cartridge packages until you are ready to install the ink. Cartridges are vacuum packed to maintain reliability.

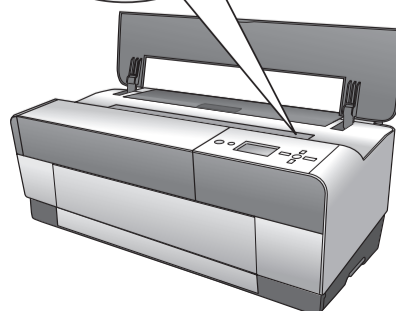
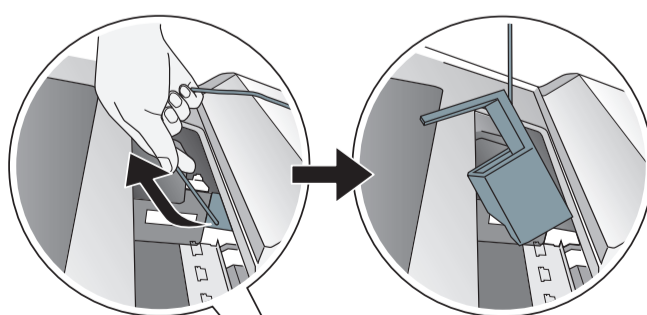
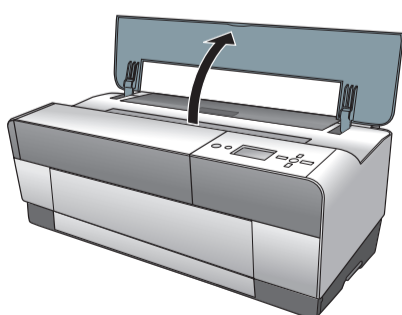
- 2** Remove all the packing materials and tape. Check carefully for all the tape inside and outside the printer. Save the box and packaging in case you need to ship the printer.



Press the front cover to open it.

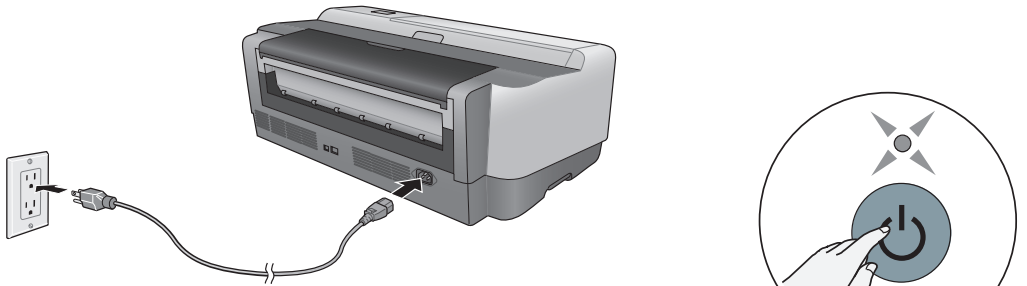


- 3** Open the top cover and remove the carriage retainer bracket. Then close the cover.



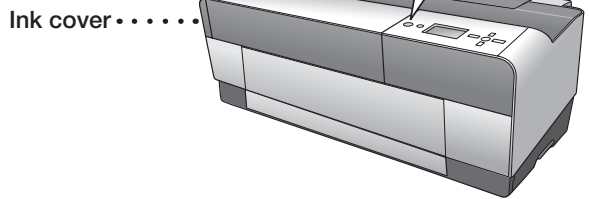
Turn On the Printer

- 1 Connect the power cable. (Do not connect the printer cable yet.)




- 2 Press the  Power button.

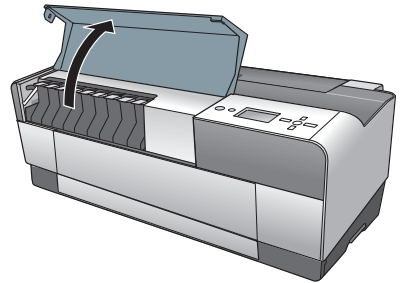
After a minute, the ink cover is automatically released.



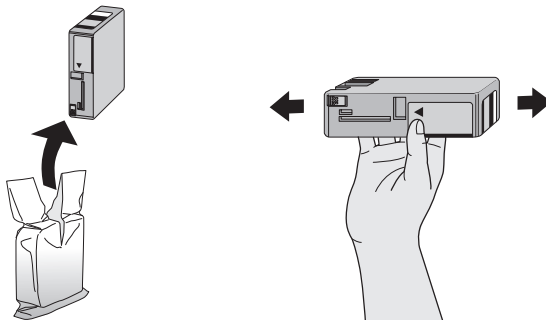
Install Ink Cartridges

- 1 Lift the ink cover.

Note: If the ink cover is locked, press the  Ink cover open button on the control panel to release it.

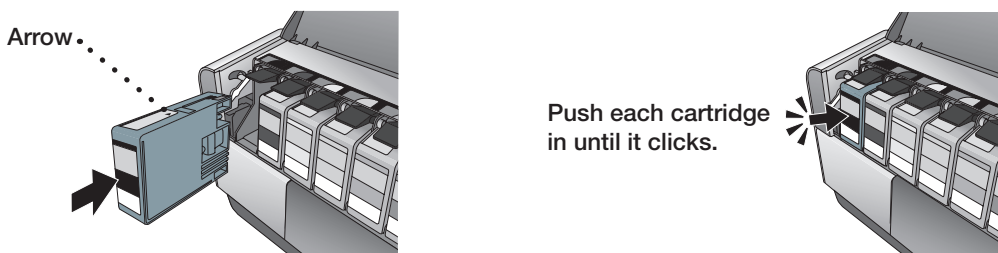


- 2 Unpack the 9 ink cartridges and shake each one gently.

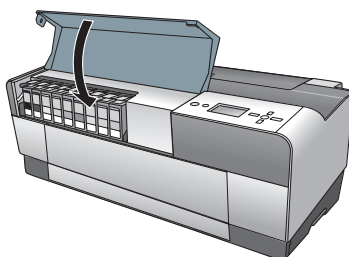


- 3 Install each cartridge in the correct slot for its color. The arrow mark should be on top and pointing into the printer.

Caution: Do not touch the green chip on top of the cartridge.



- 4 After you install all 9 ink cartridges, close the cover.



The printer starts charging the ink. This takes 7 or 8 minutes. The LCD displays **READY** when charging is complete.

Caution: Do not turn off or unplug the printer while the power light is flashing and you see the message **CHARGING INK** on the LCD. Also, do not lift the ink cover or load paper during the process.

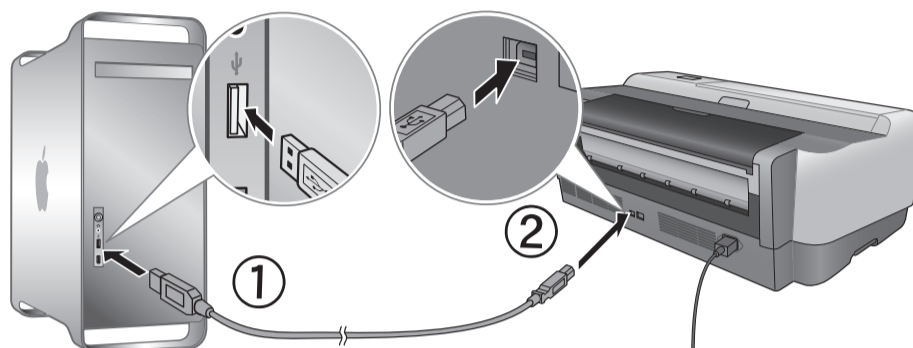
Note: The first time you install ink cartridges, the printer uses some ink to charge the printing system, so print yields may be lower with the first cartridges. Subsequent ink cartridges will last for their full rated life.

Install Software for a USB Connection

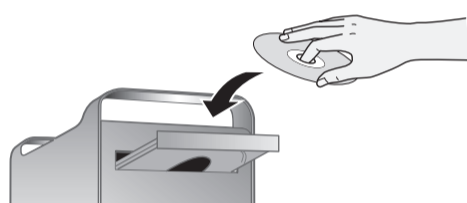
Your printer software works with Windows® 7, Windows Vista®, XP Professional x64 Edition, Windows XP, and Macintosh® OS X 10.4.11 to 10.6. If you are using the USB interface, follow the steps below to install the printer software. If you are using the Ethernet® interface, follow the steps in Chapter 1 of the *User's Guide* to configure the printer and install the software.


Macintosh

- 1** Make sure your Macintosh and printer are turned on.
- 2** Connect the USB cable. Use any open USB port on your computer. Make sure the Epson Stylus Pro 3880 is securely connected.



- 3** Insert the **Epson Stylus Pro 3880** software CD.



- 4** Double-click the  **Epson** icon.

- 5** Click **Install**.



Note: If you see the message that the installer has detected an older version of EpsonNet Config on your system, you must uninstall the old version before you can install the new one. To uninstall, drag the EpsonNet folder to the trash. Then reinstall your printer software.

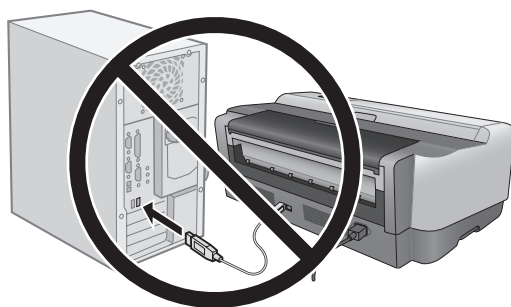
- 6** Follow the on-screen instructions to install all the necessary software and manuals, register your printer, and place a link to Special Offers on your desktop.

- 7** Restart the Macintosh when prompted.

Note: If you're using Mac OS X 10.4, open the **Printer Setup Utility**. Then click **Add** and select your printer. When your Macintosh finds the driver, click the **Add** button.

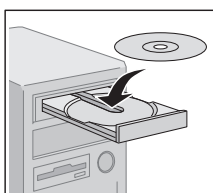
Windows

- 1 Make sure the Epson Stylus Pro 3880 is **NOT CONNECTED** to your computer.



Note: If you see a Found New Hardware screen, click **Cancel** and disconnect the USB cable. You can't install your software that way.

- 2 Insert the Epson Stylus Pro 3880 software CD.



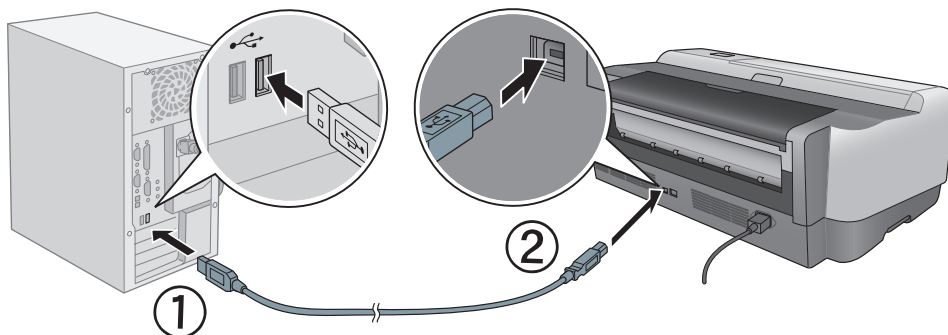
With Windows 7 and Windows Vista®, if you see the AutoPlay window, click **Run Setup.exe**. When you see the User Account Control screen, click **Yes**.

- 3 Click **Install**.



- 4 Follow the on-screen instructions to install all the necessary software and manuals, place a link to Special Offers on your desktop, and register your printer.

- 5 Connect a USB cable. Use any open USB port on your computer.



- 6 When you're done, click **Exit** and eject the CD.

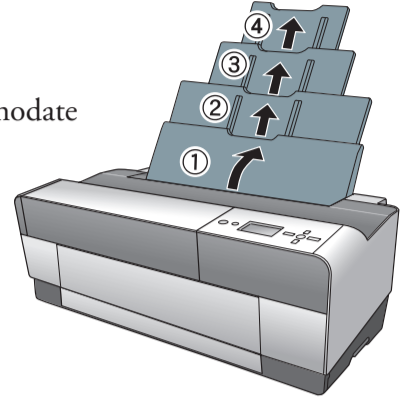
Load Paper

You can load paper in the auto sheet feeder, the rear manual feed slot, or the front manual feed slot. In the front or rear slot, load just one sheet at a time. Follow the instructions below to load paper in the auto sheet feeder or the rear manual slot. To load special media in the front slot, see the *User's Guide*.

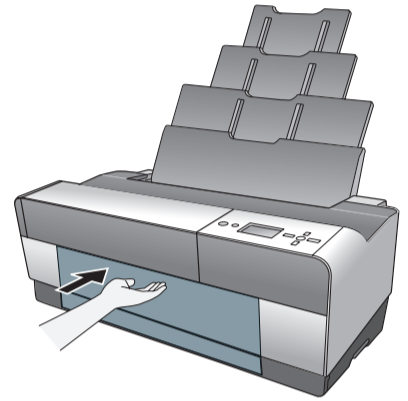
Note: Some paper types cannot be loaded in the auto sheet feeder. Check the *User's Guide* to make sure you are using the correct paper path for your media.

Auto Sheet Feeder

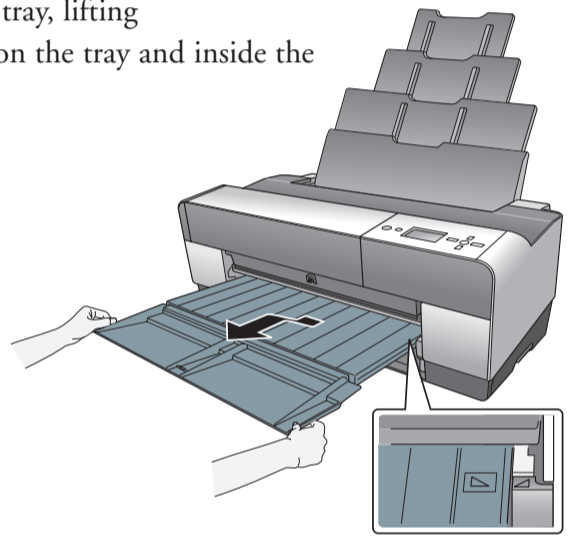
- 1 Flip open the paper guide and pull out its extensions to accommodate your paper size.



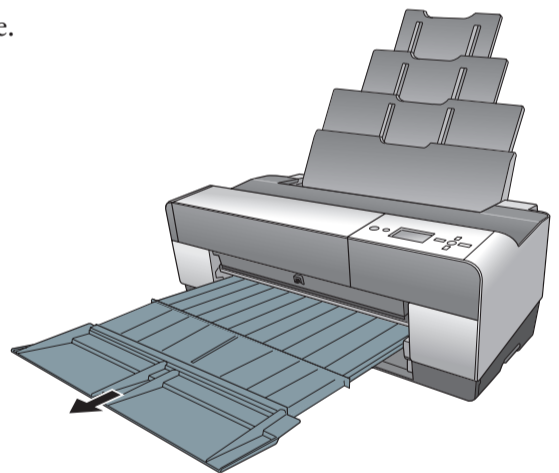
- 2 Press the front cover to release it and open the output tray.



- 3 Use both hands to pull out and extend the output tray, lifting it slightly as you pull. Make sure the arrow marks on the tray and inside the printer are aligned.

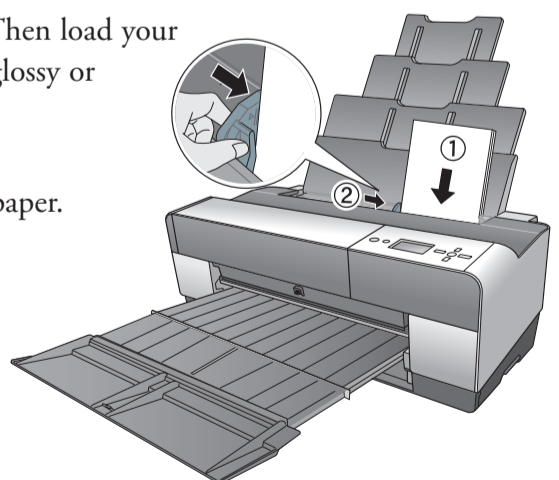


- 4 Pull out the extensions as needed for your paper size.



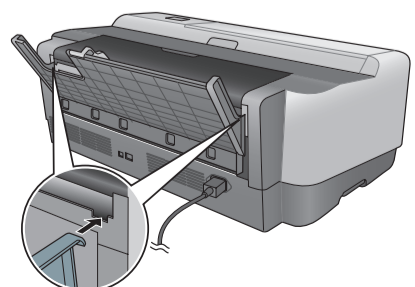
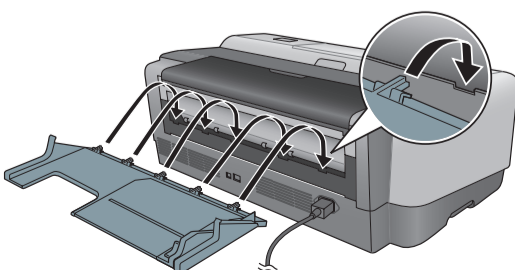
- 5 Squeeze the left edge guide and slide it to the left. Then load your paper against the right edge guide short edge first, glossy or brighter side face up.

- 6 Squeeze the left edge guide and slide it against the paper.

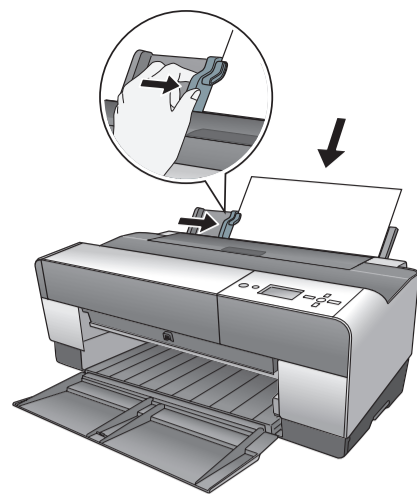


Rear Manual Slot

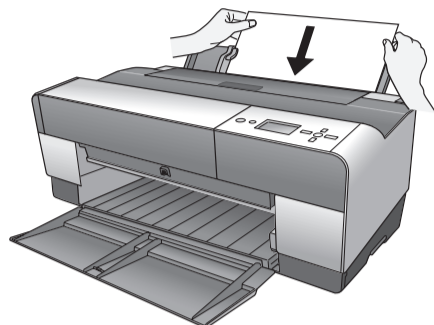
- 1 Attach the rear sheet guide by inserting the tabs as shown.



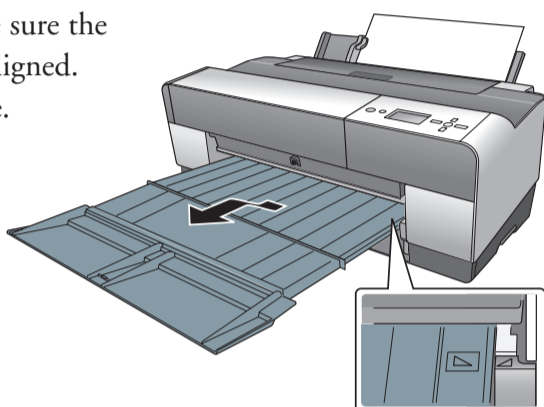
- 2** Slide the left edge guide to the left. Then load one sheet of paper short edge first, glossy or brighter side face up, and slide the left edge guide against the paper.



- 3** Gently guide the paper straight into the slot until it meets resistance, maintaining a constant pressure; after about 3 seconds the printer will pull the paper into position.



- 4** Open the output tray and lift it into position. Make sure the arrow marks on the tray and inside the printer are aligned. Pull out the extensions as needed for your paper size.



Any Questions?

Look here for answers:

User's Guide

Instructions for using your printer. See Chapter one to install the printer software if you are connecting the printer on a network. You can also double-click the **Epson Stylus Pro 3880 User Guide** desktop icon to view the User's Guide online.

On-screen Network Guide

Instructions for configuring the printer for a network.

On-screen help with your software

Select **Help** or **?** when you're using your software.

Epson Technical Support

Internet Support

Visit Epson's support website at epson.com/support and select your product for solutions to common problems. You can download drivers and documentation, get FAQs and troubleshooting advice, or e-mail Epson with your questions.

Epson PreferredSM Protection Plan

Call (888) 377-6611. Make sure you have your Epson Preferred Unit ID number. If you have any difficulty with this service, call (562) 276-1305. You can purchase a one- or two-year extended service plan through your Epson authorized reseller or from Epson.

Need Ink and Paper?

For the best prints, use genuine Epson ink and paper. You can purchase them from an Epson authorized reseller. To find the nearest reseller, call 800-GO-EPSON (800-463-7766). Or you can also purchase genuine Epson ink and paper online at www.epsonstore.com (U.S. sales) or www.epson.ca (Canadian sales).

Epson and Epson Stylus are registered trademarks and Epson Exceed Your Vision is a registered logomark of Seiko Epson Corporation. Epson Preferred is a service mark of Epson America, Inc.

General Notice: Other product names used herein are for identification purposes only and may be trademarks of their respective owners. Epson disclaims any and all rights in those marks.

This information is subject to change without notice.

© 2009 Epson America, Inc. 8/09

Printed in USA

CPD-27472

Free Manuals Download Website

<http://myh66.com>

<http://usermanuals.us>

<http://www.somanuals.com>

<http://www.4manuals.cc>

<http://www.manual-lib.com>

<http://www.404manual.com>

<http://www.luxmanual.com>

<http://aubethermostatmanual.com>

Golf course search by state

<http://golfingnear.com>

Email search by domain

<http://emailbydomain.com>

Auto manuals search

<http://auto.somanuals.com>

TV manuals search

<http://tv.somanuals.com>