

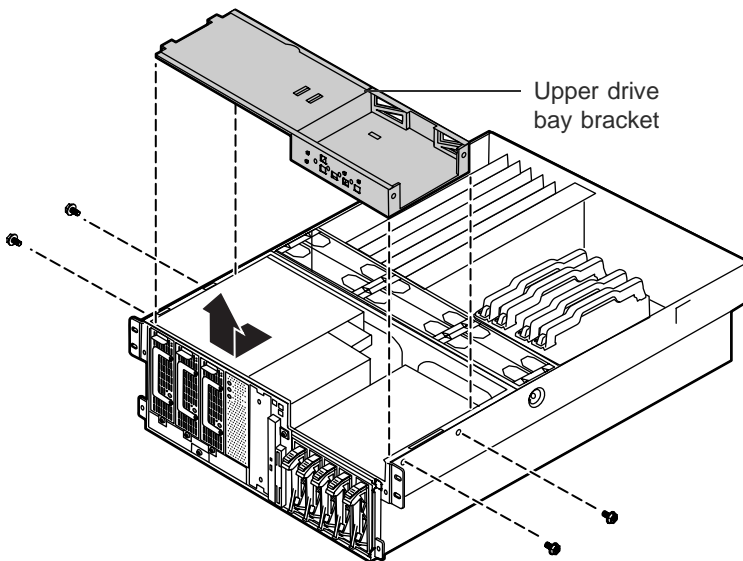


Replacing the Power Supply

This update replaces the procedure provided in the *Gateway 8450R System Manual*.

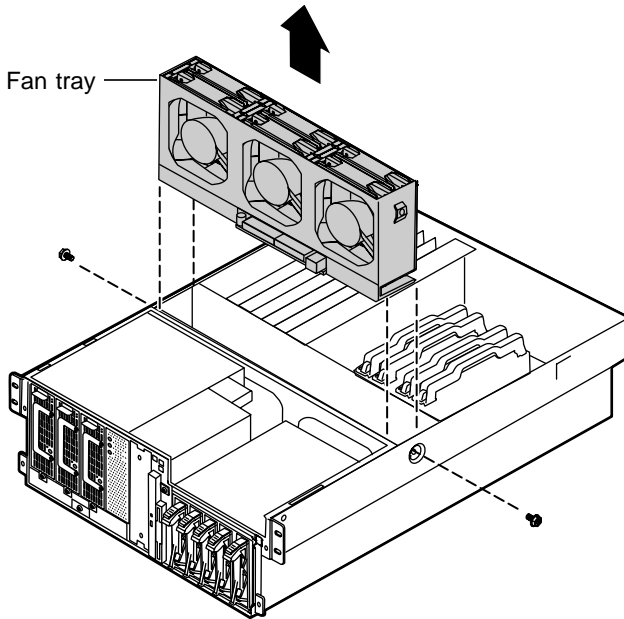
The redundant 350-W power supply provides all system power. If one of the components of the power distribution hardware fails, you must replace the entire power supply.

- 1 Turn off the server and disconnect the power cord and all peripherals.
- 2 Remove the bezel and both top panels following the instructions in the system manual.
- 3 Remove the four screws that secure the upper drive bay bracket in place, then slide the bracket forward before lifting it from the chassis.



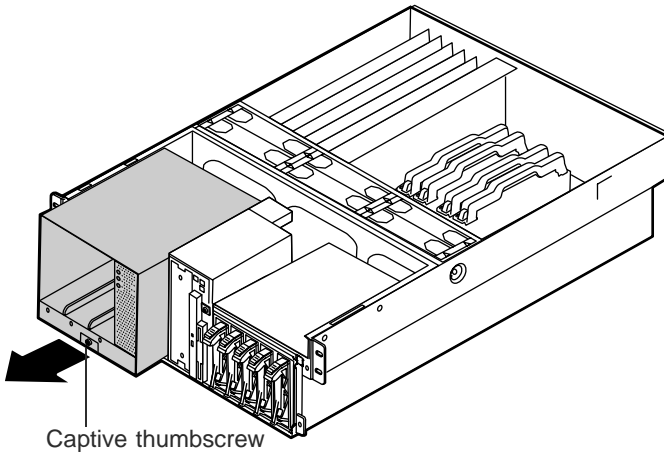
- 4 Disconnect the cables from the bottom front side of the hot-plug fan tray. Note the location and orientation of each cable so you can connect them correctly to the new board.

- 5** Remove the two screws that secure the fan tray, then lift the tray out of the chassis and place it on a static-free surface.

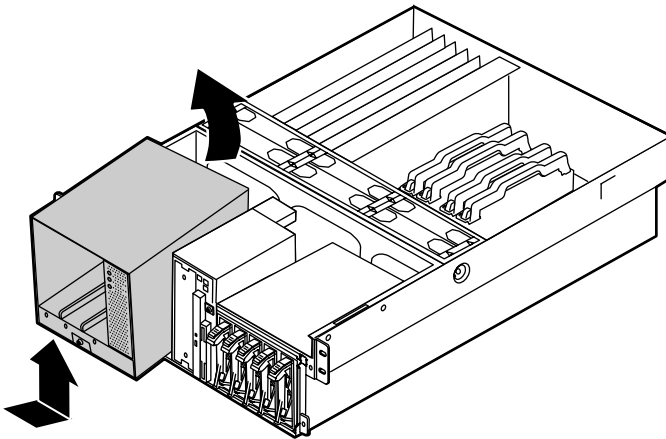


- 6** Disconnect all cables attached to the power supply. Note their locations and orientations so you can reconnect them later.

- 7 Loosen the captive thumbscrew at the bottom of the power supply front, then slide the power supply forward until it stops.



- 8 Tilt the power supply forward and lift it up and back to clear the tab on the bottom of the chassis.



- 9 Holding the new power supply with the back slightly elevated, place the new power supply over the tab on the bottom of the chassis, then rotate it so that it rests flat on the bottom of the chassis.
- 10 Slide the power supply back so that the tabs on the bottom back edge of the power supply slide under the slots on the bottom of the chassis.

- 11** Tighten the captive thumbscrew at the bottom of the power supply to secure it in place.
- 12** Place the fan tray in the chassis and secure it with the screws you removed in Step 5.
- 13** Reconnect the cables you removed in Step 4.
- 14** Place the upper drive bay bracket on the top of the chassis. Make sure the tabs on the bottom of the bracket fit into the slots at either side of the chassis.
- 15** Slide the upper drive bay bracket back to set the tabs, then replace the four screws you removed in Step 3.
- 16** Close the case.
- 17** Reconnect the power cord and all external peripherals, then turn on the server.

A MAN 8450R POW SUPPLY UPDR0 8/00



8506762

Free Manuals Download Website

<http://myh66.com>

<http://usermanuals.us>

<http://www.somanuals.com>

<http://www.4manuals.cc>

<http://www.manual-lib.com>

<http://www.404manual.com>

<http://www.luxmanual.com>

<http://aubethermostatmanual.com>

Golf course search by state

<http://golfingnear.com>

Email search by domain

<http://emailbydomain.com>

Auto manuals search

<http://auto.somanuals.com>

TV manuals search

<http://tv.somanuals.com>