

1.0 INTRODUCTION

This service manual covers adjustment, disassembly, operation, preventative maintenance, troubleshooting procedures and contains an illustrated parts list for the GBC Shredmaster 5160x shredder. The GBC Shredmaster 5160x is a cross-cut, console shredder designed for higher volume requirements.

***Beginning mid year 1997, the 5160x will be renamed as the 6160x. The 6160x is identical to the 5160x with the exception of a new top cover label.**

Innovative engineering has provided this shredder with the following operating and safety features:

- 1. Automatic Operation** - The unit begins to operate when a light beam is broken as paper is inserted into the shredder throat. The motor stops running when the light beam is no longer broken and the paper has had an opportunity to clear the cutting head.
- 2. Overload Warning** - Whenever the capacity of the shredder is exceeded the unit stops shredding and the "Reverse" symbol illuminates.
- 3. Thermal Protection** - The motor is equipped with a thermal protection device which is triggered if the motor temperature reaches a predetermined level. The motor will not operate until it cools.
- 4. Bag Full Sensor** - When the shred bag becomes full, the motor automatically turns off and the "Bag" light symbol illuminates. The shredder will not operate until the shredded material is either compressed down or emptied.
- 5. Door Ajar Sensor** - When the door of the shredder is not fully closed, the "Door" light symbol illuminates. This is a safety feature that will only allow the shredder to operate when the cabinet door is in the closed position.

Before using your GBC Shredmaster shredder, carefully read the operating instructions in this manual. Once you have gained experience and familiarity with its operation, you will be better equipped to use the remaining sections of this manual to troubleshoot and repair the shredder.

2.0 SPECIFICATIONS

Required Electrical Service:	115V AC +/- 10%, 60 Hz, 15 AMP, Two Wire Service with Ground
Electrical Rating:	115V AC 9.15AMPS Single Phase
Motor:	3/5 Output HP @ 962 Watts, 9.15A, Thermally Protected
Motor Duty Cycle:	Continuous Duty
Power Consumption:	1000.05 Watts @ 17 Sheets, Nominal Line
Dimensions:	38.50" High 24.00" Wide 22.00" Deep
Weight:	245 Pounds
Shredding Speed:	26.5ft/min. @ 1 sheet, 18.5ft/min. @ 18 sheets
Shred Size:	3/16" x 2 3/8" (4mm x 60mm)
Feed Throat Width:	16"
Shredder Capacity:	18 -22 sheets of 8.5" x 11" 20# Bond Paper
Noise Level:	67.5 No Load, 81.0 Full Load
Bag Size:	48"H, 24"W, 18"D
Shipping Box Dimensions	L x W x H Head 28 ³ / ₄ ", 27 ¹ / ₄ ", 15" Cabinet 28 ³ / ₄ ", 26 ¹ / ₂ ", 38 ¹ / ₄ "

3.0 INSTALLATION PROCEDURES

⚠ CAUTION: Two people are required for the below installation procedure.

1. Using the hand grips (a) provided “figure 1”, place the machine head into the top of the cabinet. The control panel may face toward the front or back of the cabinet.
2. Open the door by pressing on the door knob and place the hand grips (a) located in the cabinet base (b) “figure 2”, into the holes found in the cabinet.
3. Insert a plastic bag into the bag frame from the under side of the rail; fold over all four sides and slide back into the guide rails.
4. Connect the power cord to a single phase socket rated at 15 amps.

Figure 1

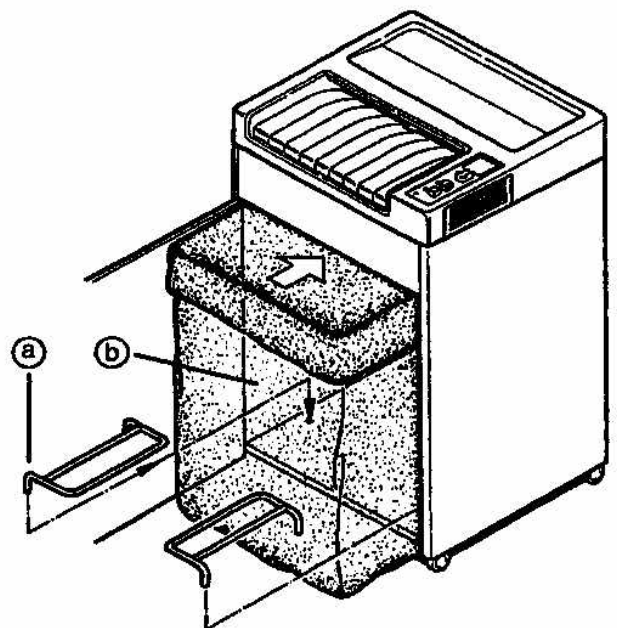
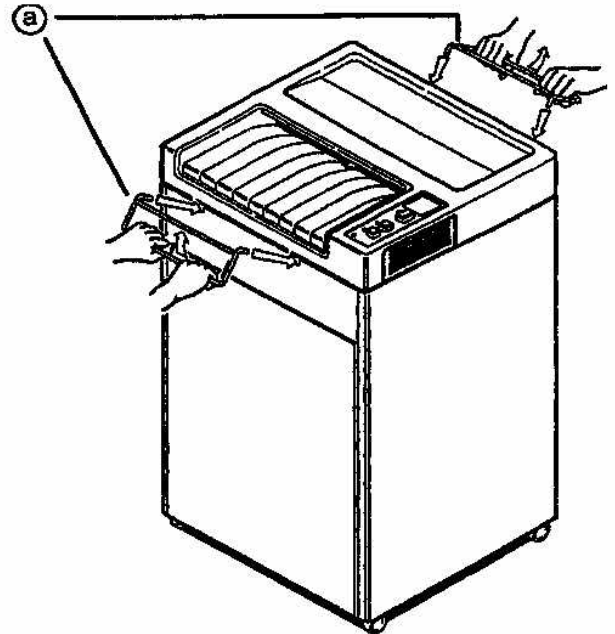


Figure 2

4.0 OPERATING INSTRUCTIONS

The GBC 5160X shredder can shred most office paper and documents. However, the shredding of paper clips and other metal items may cause damage to the shredder. Plastic materials such as credit cards, covers, inserts and film should be avoided as they may lodge in the cutting head and prematurely dull the cutters.

Operation

Please refer to the shredder control panel shown in **Figure 4.1**.

1. To begin using the shredder, press the rocker switch (a) to the on position "I". The green control light (b) will illuminate. The shredder is now in the stand-by mode and will automatically start shredding when paper is inserted. When shredding is complete the machine will automatically stop and return to the stand-by mode.

2. If the bag full control light (c) is on, the shredder bag must be changed.

3. For safety concerns the machine will not operate when the cabinet door is open. The red control symbol (d) will light.

4. Whenever the shred capacity has been exceeded, the unit will stop shredding. The reverse symbol "R" (e) will light. Press the rocker switch (a)

into position "R" and reduce the paper stack and begin shredding again. In the case of a severe jam, it may be necessary to tear off the paper as close to the

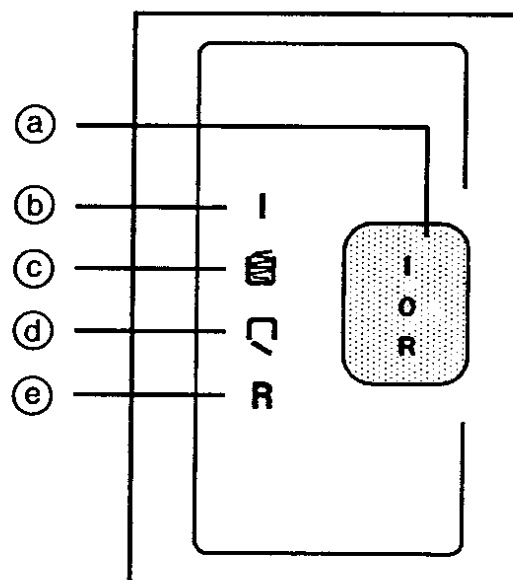


Figure 4.1

throat as possible. Then alternately rock the control switch between the Forward and Reverse positions until the jam has cleared the cutting head. During this operation, the thermal overload protector of the motor may be triggered and the motor will appear inoperable. Wait a few minutes to allow the motor to cool, then clear the jam.

5. Waste that does not need to be shredded can be thrown into the waste flap area.

A = Rocker control Switch

C = Bag full Symbol

E = Reverse Symbol

B = Stand-by Control Symbol

D = Door ajar Symbol

Free Manuals Download Website

<http://myh66.com>

<http://usermanuals.us>

<http://www.somanuals.com>

<http://www.4manuals.cc>

<http://www.manual-lib.com>

<http://www.404manual.com>

<http://www.luxmanual.com>

<http://aubethermostatmanual.com>

Golf course search by state

<http://golfingnear.com>

Email search by domain

<http://emailbydomain.com>

Auto manuals search

<http://auto.somanuals.com>

TV manuals search

<http://tv.somanuals.com>