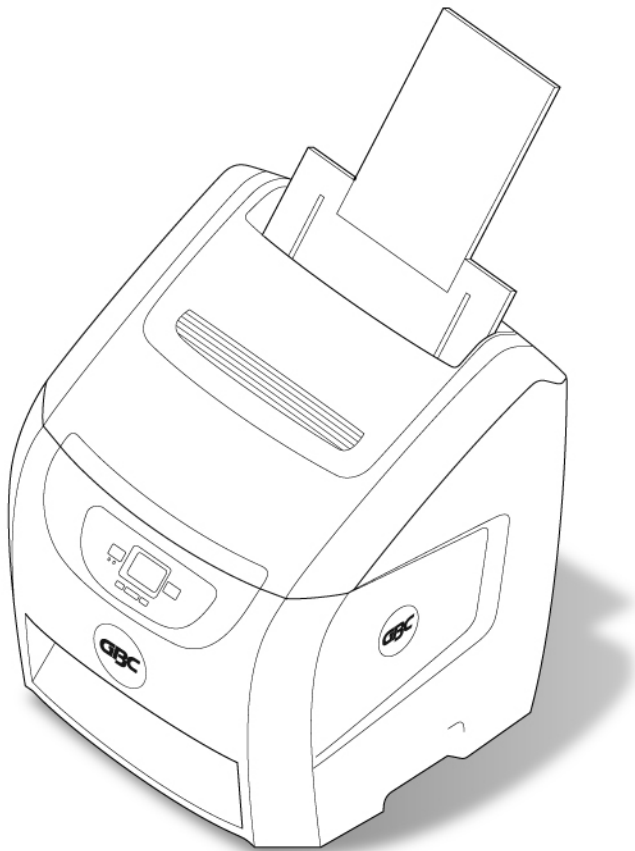




HeatSeal[®] Sprint[™]

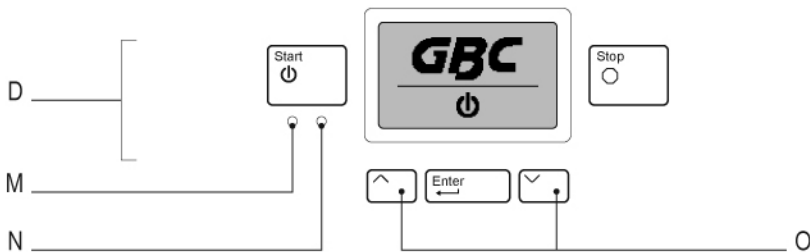
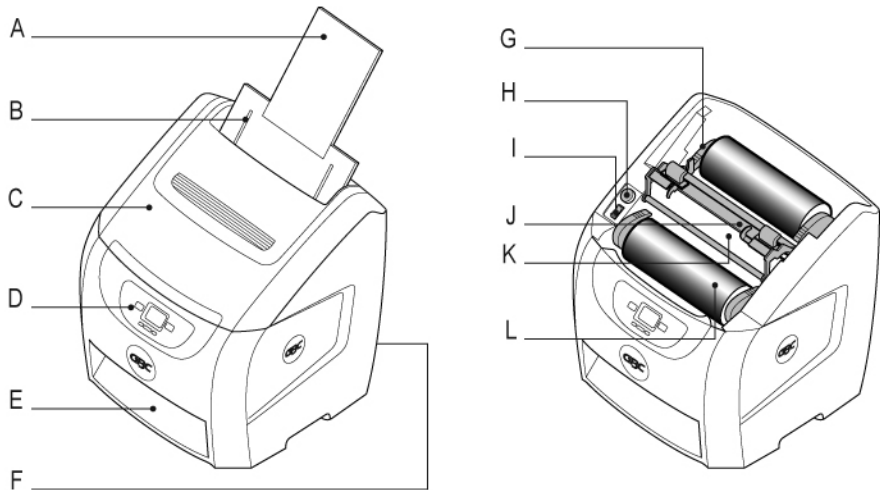


H 950
Instruction Manual

To register this product go to www.gbc.com
Pour enregistrer ce produit allez sur www.gbc.com
Para registrar este producto vaís en www.gbc.com



HeatSeal® Sprint™ H950 - Description



A) Feed Tray
XXX
XXX

B) Paper Side Guide
XXX
XXX

C) Top Cover
XXX
XXX

D) Control Panel
XXX
XXX

E) Exit Tray
XXX
XXX

F) Power Button
XXX
XXX

G) 4 EZ Load Levers
XXX
XXX

H) Heat Button 
XXX
XXX

I) Feed Switch
XXX
XXX

J) Idler Bar Assembly
XXX
XXX

K) Heat Shoe
XXX
XXX

L) Film Roll
XXX
XXX

M) Power LED (Red)
XXX
XXX

N) Ready LED (Green)
XXX
XXX

O) Scroll Button
XXX
XXX



HeatSeal® Sprint™ H950 - Safety

Important Safety instructions

YOUR SAFETY AS WELL AS THE SAFETY OF OTHERS IS IMPORTANT TO GBC. IN THIS INSTRUCTION MANUAL AND ON THE PRODUCT ARE IMPORTANT SAFETY MESSAGES. READ THESE MESSAGES CAREFULLY.

 **THE SAFETY ALERT SYMBOL PRECEDES EACH SAFETY MESSAGE IN THIS INSTRUCTION MANUAL.**

ON THE PRODUCT YOU WILL FIND IMPORTANT SAFETY MESSAGES. READ THESE MESSAGES AND INSTRUCTIONS CAREFULLY. SAVE THESE INSTRUCTIONS FOR LATER USE.

THE FOLLOWING WARNINGS ARE FOUND ON THIS PRODUCT.



This safety message means that you could be seriously hurt or killed if you open the product and expose yourself to hazardous voltage.




Do not touch heat shoes until they have cooled.




This safety message means that you could cut yourself if you are not careful.

 **WARNING: THE SAFETY ALERT SYMBOL PRECEDES EACH SAFETY MESSAGE IN THIS INSTRUCTION MANUAL. THIS SYMBOL INDICATES A POTENTIAL PERSONAL SAFETY HAZARD THAT COULD HURT YOU OR OTHERS.**

 **WARNING: DO NOT ATTEMPT TO SERVICE OR REPAIR THE LAMINATOR.**

 **WARNING: DO NOT CONNECT THE LAMINATOR TO AN ELECTRICAL SUPPLY OR ATTEMPT TO OPERATE THE LAMINATOR UNTIL YOU HAVE COMPLETELY READ THESE INSTRUCTIONS. MAINTAIN THESE INSTRUCTIONS IN A CONVENIENT LOCATION FOR FUTURE REFERENCE.**


Important Safeguards

 **WARNING: FOR YOUR PROTECTION, DO NOT CONNECT THE LAMINATOR TO ELECTRICAL POWER OR ATTEMPT TO OPERATE UNTIL YOU READ THESE INSTRUCTIONS COMPLETELY. KEEP OPERATING INSTRUCTIONS IN A CONVENIENT LOCATION FOR FUTURE REFERENCE. TO GUARD AGAINST INJURY, THE FOLLOWING BASIC SAFETY PRECAUTIONS MUST BE OBSERVED IN THE SET-UP AND USE OF THE LAMINATOR.**

General safeguards

- Use this laminator only for its intended purposes as according to the specifications outlined in the operating instructions.
- Keep hands, long hair, loose clothing and articles such as necklaces or ties away from the front of the pull rollers to avoid entanglement and entrapment.
- Avoid contact with the heat shoes during operation or shortly after the laminator has been turned off. The heat shoes can reach temperatures in excess of 300°F.
- Keep hands and fingers away from the path of the sharp film cutter blade located at the film exit.
- Place the laminator on a stable cart, stand or table capable of supporting at least 80lbs. An unstable surface may cause the laminator to fall resulting in serious bodily injury. Avoid quick stops, excessive force and uneven floor surfaces when moving the laminator on a cart or stand.
- Do not defeat or remove electrical and mechanical safety equipment such as interlocks, shields and guards.
- Do not insert objects unsuitable for lamination.
- Do not expose laminator to liquids.

Electrical safeguards


- This laminator must be connected to a supply voltage corresponding to the electrical rating as indicated on the serial plate located on the rear of the machine.
 - Unplug the laminator before moving it, or when it is not in use for an extended period of time.
 - Do not operate the laminator with a damaged power supply cord or plug.
 - Do not overload electrical outlets as this can result in fire or shock.
 - Do not alter the attachment plug. This plug is configured for the appropriate electrical supply.
 - The unit is intended for indoor use only.
-  **CAUTION:** The receptacle must be located near the equipment and easily accessible. Do not use an extension cord.
- Disconnect the attachment plug from the receptacle to which it is connected and keep the power supply cord in your possession while moving the laminator.
 - Do not operate the laminator with a damaged power supply cord or attachment plug, upon occurrence of a malfunction, or after laminator has been damaged. Contact an authorized GBC service representative for assistance.



HeatSeal® Sprint™ H950 - Safety

Service

Perform only the routine maintenance procedures referred to in these instructions.

 **Do not attempt to service or repair the laminator.**

Unplug the unit and contact an authorized GBC service representative for any required repairs if one or more of the following has occurred:

- The power supply cord or attachment plug is damaged.
- Liquid has been spilled into the laminator.
- The laminator is malfunctioning after being mishandled.
- The laminator does not operate as described in these instructions.


 **WARNING: THIS IS NOT A TOY - DO NOT ALLOW CHILDREN TO OPERATE THIS LAMINATOR!**


Installation


- Shipping damage should be brought to the immediate attention of the delivering carrier.
- Place the laminator on a stable flat surface capable of supporting 110lbs. The surface should be at least 30" high to assure comfortable positioning during operation. All four rubber feet should be on the supporting surface.
- Connect power cord to an appropriate power source. Avoid connecting other equipment to the same branch circuit to which the laminator is connected as this may cause nuisance tripping of the circuit breaker or blown fuses.
- The laminator should be positioned to allow exiting film to drop freely to the floor. Accumulation of laminate as it exits the laminator may cause film to wrap around the rollers, causing a jammed condition.
- Avoid placing laminator near sources of heat or cold. Avoid locating the laminator in the direct path of forced, heated or cooled air.

Caring for the H-950 Laminator

The only maintenance required by the operator is to periodically clean the heat shoes. This should only be done when changing film rolls, please see page 7 steps 1, 2, & 3. The following procedure will help keep the heat shoes free of adhesive that has been deposited along the edge of the laminating film.

 **CAUTION: THE FOLLOWING PROCEDURE IS PERFORMED WHILE THE LAMINATOR IS HOT. USE EXTREME CAUTION.**

 **WARNING: Do not apply cleaning fluids or solvents to the rollers.**

 **WARNING: Do not attempt to laminate adhesives marked 'Flammable'.**

- 1 Preheat the laminator using the heat button
- 2 Clean the top and bottom heat shoes with a soft cloth.
- 3 Follow the procedure on page 7, steps 4, 5, 6 & 7.

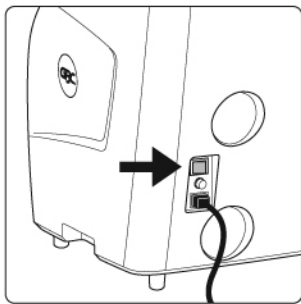
NOTE: Do not use metal scouring pads to clean the heat shoes!

WARNING: Do not laminate glitter and/or metallic items. Damage to the rollers may result.



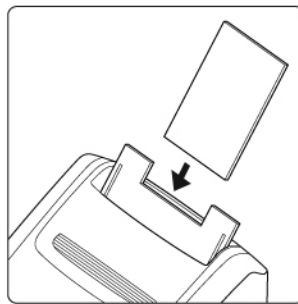
HeatSeal® Sprint™ H950 - Setup

Laminator comes pre-loaded with 3 mil film, Approximately 30ft.



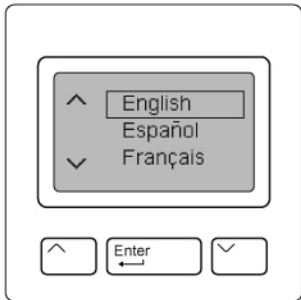
STEP 1

In back of machine, turn on power. Power light LED in front control panel lights up.



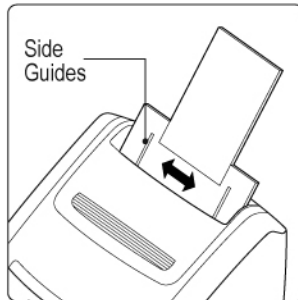
STEP 4

Insert and secure feed tray into position.



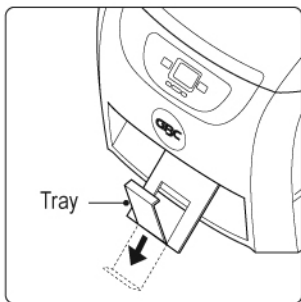
STEP 2

First time only, scroll up or down to select language setting, then press "Enter". To reset language, hold down both scroll buttons for 5 seconds, select language then press enter.



STEP 5

Adjust "Side Guides" to fit document(s).



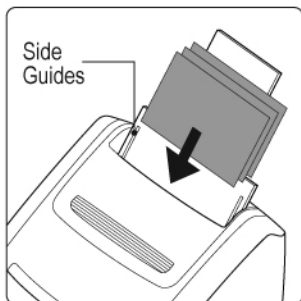
STEP 3

Open tray for normal operation. For longer paper or banners close tray.

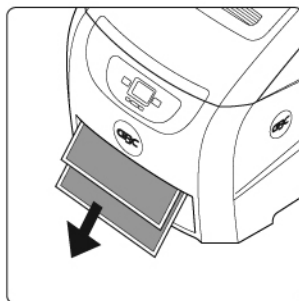


HeatSeal® Sprint™ H950 - Operation

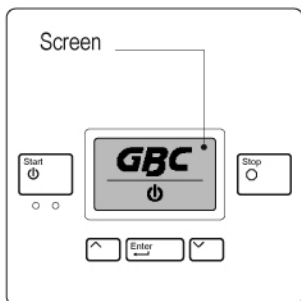
Laminator comes pre-loaded with 3 mil film, Approximately 30ft.



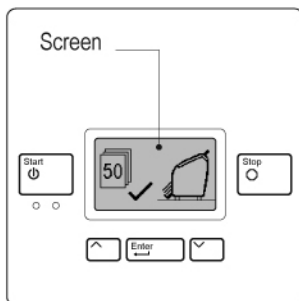
STEP 1
Adjust side guides and place document(s) in feed tray.



STEP 3
Laminated document(s) will stack in Exit Tray. Lamination will stop when job is complete.



STEP 2
Press start and lamination will begin after warm up.



STEP 4
LCD screen will display number of documents being laminated.

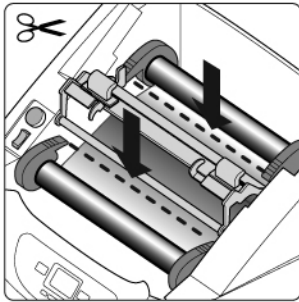


HeatSeal® Sprint™ H950 - Load Film

Caution, Hot Surfaces

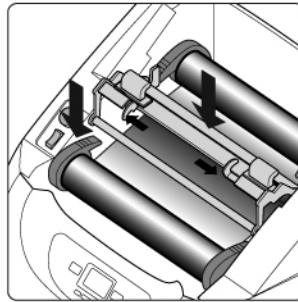


If Possible, load film before running completely out.



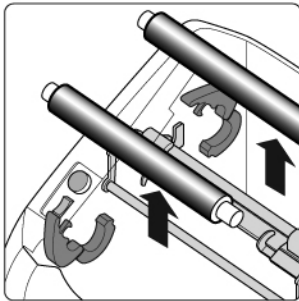
STEP 1

Cut laminating film as indicated. If film is not present see next page.



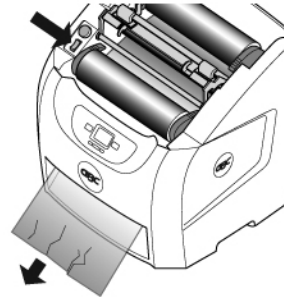
STEP 5

Insert and lock Idler Bar Assembly, then close 4 EZ Load levers.



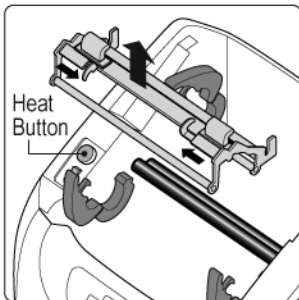
STEP 2

Open all 4 "EZ" Load levers and remove film.



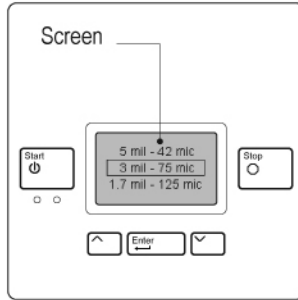
STEP 6

Press feed switch (forward) and hold until wrinkle-free lamination. Close top.



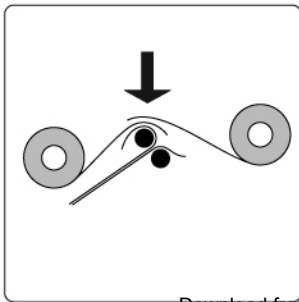
STEP 3

Remove Idler Bar Assembly, then press "Heat" button.



STEP 7

Scroll up or down to select film thickness. Press "Enter" to confirm. Press "Start" to resume lamination. To reset film thickness, hold enter button for 5 seconds, select film thickness then press "Enter".



STEP 4

Insert new film, overlap film on Heat Shoe.

Note: Match colors of film core ends to EZ Load Levers.

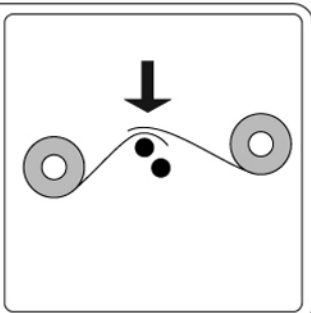
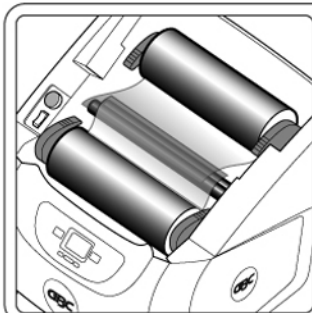


HeatSeal® Sprint™ H950 - Load Film

Caution, Hot Surfaces

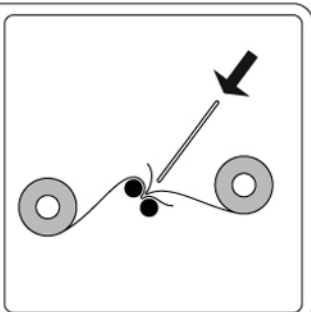


Use instructions below if film is completely empty.



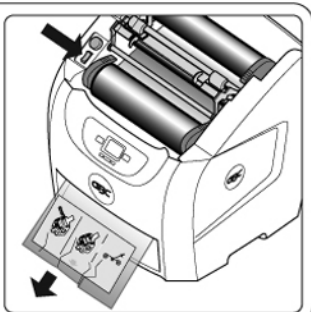
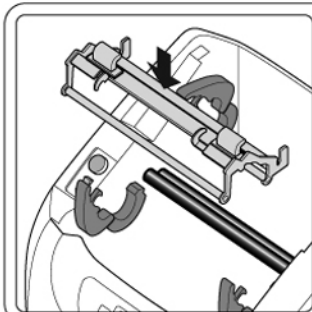
STEP 1

First, complete steps 2, 3 and 4 from "Load Film" page 7. Close 4 EZ levers.



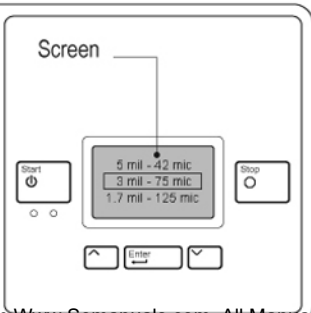
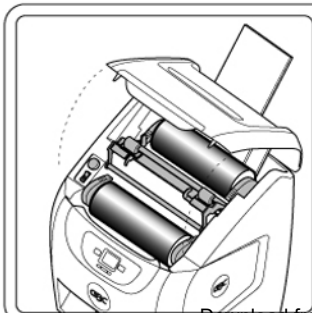
STEP 2

Press "Feed" switch (forward) and insert "Feed Card" as shown. Insert card with slight force through film rollers.



STEP 3

Insert Idler Bar Assembly. Continue pressing feed switch and wait for clear, wrinkle-free lamination.



STEP 4

Close top cover, scroll up or down to select film thickness. Press "Enter" to confirm. Press "Start" to resume lamination.

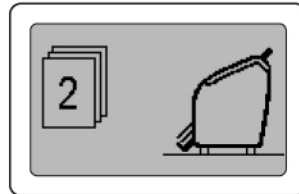


HeatSeal® Sprint™ H950 - Status Messages

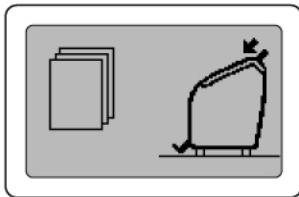
Laminator comes pre-loaded with 3 mil film, Approximately 30ft.



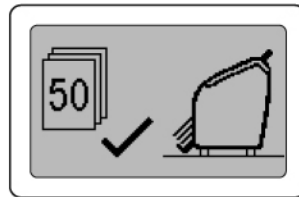
Standby Screen.



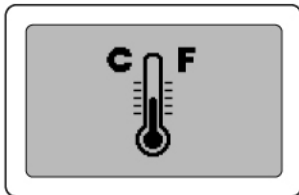
Counting screen, showing pages laminated so far.



Load document(s) to be laminated.





Job complete screen. Total pages laminated.



Machine is in heat mode. Machine is warming to operating temperature.

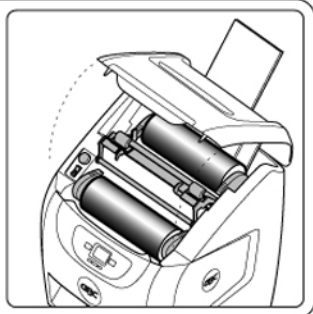


HeatSeal® Sprint™ H950 - Alert Messages

 Caution, Hot Surfaces 

Do not take machine apart - No User Servicable Parts.

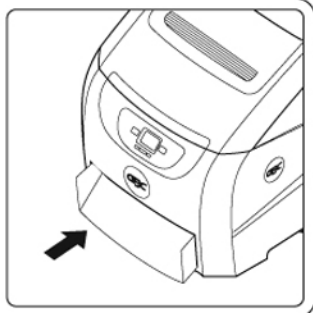
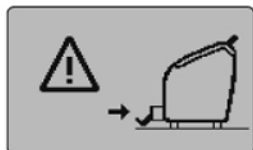
(Alert Message)



TOP COVER ALERT

Top cover is open. Close it and resume lamination.

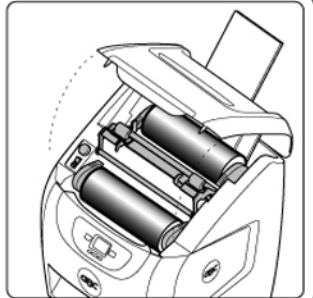
(Alert Message)



FRONT DRAWER ALERT

Close front drawer and resume lamination.

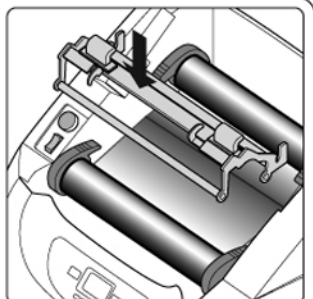
(Alert Message)



LOW FILM ALERT

Open top cover and load new film rolls. Refer to "Load Film", pg. 7 and 8.

(Alert Message)



IDLER BAR ASSEMBLY ALERT

Insert and lock the Idler Bar assembly. Close top cover and resume lamination.



HeatSeal® Sprint™ H950 - Error Messages

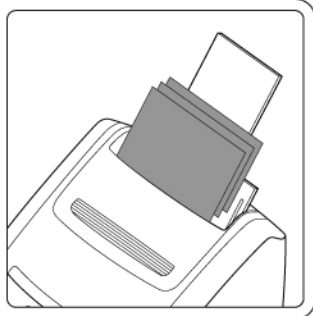
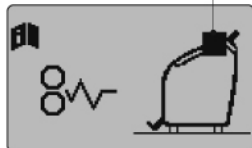
Caution, Hot Surfaces



Do not take machine apart - No User Servicable Parts.

(Jam Message)

Jam location

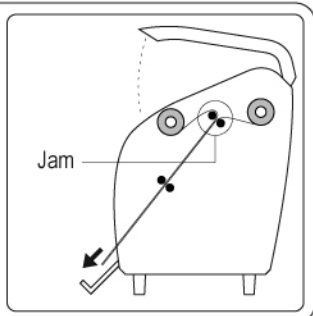
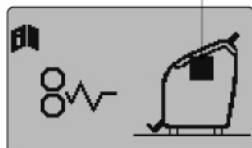


FEED JAM ERROR

Remove document(s) and any debris from feed tray. Fan documents and adjust size guides. Press "Start" to resume.

(Jam Message)

Jam location



JAM ERROR

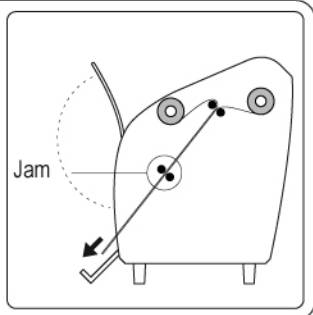
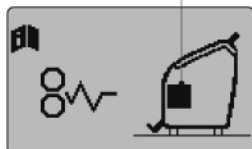
- A) Open covers
- B) Locate film Jam
- C) Press Heat button

Use Feed switch (forward/reverse) to clear jam. It may be necessary to cut and remove film. (Take care not to damage rollers when cutting film).

If cutting is required, use Feed switch (forward / reverse) to re-feed film through machine.

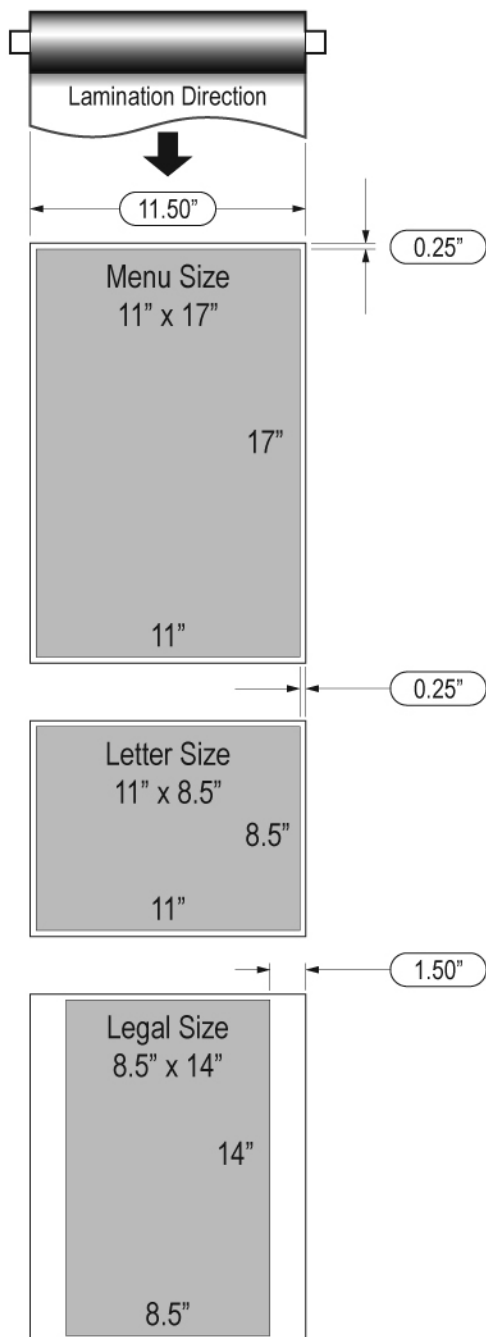
(Jam Message)

Jam location





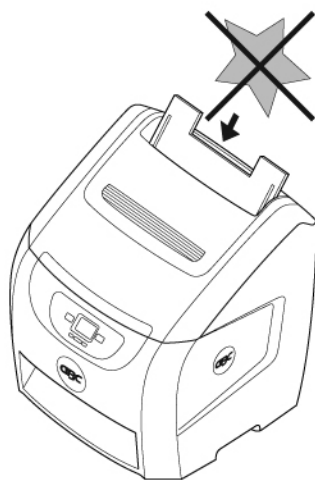
HeatSeal® Sprint™ H950 - Document Size



If possible, always load documents in landscape format. Top and bottom film border is always 0.25", and side film borders will vary depending on document size.

For recommended max document length, see specifications, pg. 14.

For best lamination results, avoid irregular shapes as shown below.





HeatSeal® Sprint™ H950 - Troubleshooting

SYMPTOMS	POSSIBLE CAUSE	CORRECTIVE ACTION
No power switch, does not illuminate when in on position	Power cord is not plugged into live power outlet	Plug into live outlet
	Circuit breaker has tripped	Reset circuit breaker at rear of machine
Machine does not respond after pressing standby button	Cover is open	Close cover
	No paper in feeder	Insert paper
	Idler bar assembly not latched	Latch idler bar levers
	Document collection tray is not fully inserted	Fully insert document into exit tray
	Main power switched off	Turn on power
	Low film	Load new film
Faint lines across the document Cloudy lamination Wavy Lamination Unsatisfactory adhesion to media	Machine is not fully warm	Allow time to warm up
	Incorrect film setting	Select correct film setting
	Insufficient heat	Verify correct film setting
	Media not compatible	Media is not suitable for thermal lamination
Feeder does not feed document	Media not compatible with feeder	Manually feed single sheets
	Paper is not fully inserted to feeder	Fully insert paper to feeder
Document is skewed in film	Feeder side guides not set correctly	Adjust feeder side guides to paper size
Feeder picks multiple documents	Static electricity on media, or media is stuck together	Fan paper and replace in feeder
Wrinkles in document	EZ Load levers not closed	Close EZ Load Levers



HeatSeal® Sprint™ H950 - Specifications

1. Warm-up time

Note: If machine is warm, the warm up times are reduced

1.7 mil - 42 micron	Max 2.5 minutes from cold
3 mil - 75 micron	Max 1 minutes from cold
5 mil - 125 micron	Max 1 minutes from cold

2. Speed

- A) The machine throughput speed is 39" (1000mm) per minute
- B) Equivalent to 4 letter or A4 documents per minute
- C) 50 letter or A4 sheets take approximately 12 minutes

3 . Paper sizes and thickness

Max paper thickness	80 lbs - 360 gsm
Min paper thickness	20 lbs - 75 gsm
Max paper width	12" film, 11.6" - 297 mm 11.5" film, 11" - 280 mm
Min paper width	6" - 152 mm
Max paper length	48" - 1220 mm

4 . Border sizes

A4 paper (side border)	12" - 305 mm wide film	0.15" - 4 mm
A4 paper (top & bottom border)	12" - 305 mm wide film	0.25" - 6 mm
Letter paper (side border)	11.5" - 292 mm wide film	0.25" - 6 mm
Letter paper (top & bottom border)	11.5" - 292 mm wide film	0.25" - 6 mm

5. Film thickness

1.7 mil - 42 microns	Very Flexible
3 mil - 75 microns	Flexible
5 mil - 125 microns	Semi Rigid

6. Feeder capacity

- A) Maximum of 50 sheets at 20 lbs - 75 gsm

7. Machine weight

- A) In box 79 lbs - 36 kg
- B) Out of box 70 lbs - 32 kg

8. Dimensions (with tray open)

19" Wide x 31" High x 27" Deep
(483 mm Wide x 787mm High x 686mm Deep)

9. Electrical Specifications

- A) 120v @ 60Hz, 7A
- B) 230v, @ 50Hz, 3.5A
- C) 100v, @ 50Hz/60Hz, 7A



HeatSeal® Sprint™ H950 - Lamination Tips

Before laminating important or unique documents, always run a test document through the laminator using a similar media

Laminator is only designed to laminate specified paper products

Do not laminate 'odd' shape documents

Do not completely run out of film when in Manual mode (loading film)

NOTE: First sheets will be film only

Do not use punched paper

Avoid folded or creased paper

CLOSE document capture tray if laminating documents longer than regular A4 or letter size documents

For ease of film loading, stick new film to existing film
See page 7, step 4 diagram

Warranty (90) Day Limited Warranty

ACCO Brands USA LLC, 300 Tower Parkway, Lincolnshire, IL 60069 (and in Canada, ACCO Brands Canada Inc., 5 Precidio Court, Brampton, ON L6S-6B7) (each, respectively, "ACCO Brands") warrants to the original purchaser that this ACCO Brands product is free from defects in workmanship and material under normal use and service for a period of ninety (90) days after purchase.

ACCO Brands' obligation under this warranty is limited to replacement or repair, at ACCO Brands' option, of any warranted part found defective by ACCO Brands without charge for material or labor. Any replacement, at ACCO Brands' option, may be the same product or a substantially similar product that may contain remanufactured or refurbished parts. This warranty shall be void in the following circumstances:

- (i) if the product has been misused,
- (ii) if the product has been damaged by negligence or accident, or
- (iii) if the product has been altered by anyone other than ACCO Brands or ACCO Brands' authorized agents.

For warranty execution, please call 1-800-541-0094 in the USA/1-800-463-2545 in Canada or go to www.gbc.com.

TO THE EXTENT ALLOWED BY APPLICABLE LAW, THIS WARRANTY IS IN LIEU OF ALL OTHER EXPRESSED WARRANTIES. REPRESENTATIONS OR PROMISES INCONSISTENT WITH OR IN ADDITION TO THIS WARRANTY ARE UNAUTHORIZED AND SHALL NOT BE BINDING ON ACCO BRANDS. TO THE EXTENT PERMITTED BY APPLICABLE LAWS, ANY IMPLIED WARRANTIES (IF APPLICABLE) ARE LIMITED IN DURATION TO THE DURATION OF THIS WARRANT. SOME STATES AND JURISDICTIONS DO NOT ALLOW LIMITATIONS ON HOW LONG AN IMPLIED WARRANTY LASTS, SO THE ABOVE LIMITATION MAY NOT APPLY TO YOU. TO THE EXTENT PERMITTED BY APPLICABLE LAW, IN NO EVENT SHALL ACCO BRANDS BE LIABLE FOR ANY SPECIAL, INCIDENTAL, PUNITIVE, EXEMPLARY, CONSEQUENTIAL OR SIMILAR DAMAGES, WHETHER OR NOT FORSEEABLE. SOME STATES AND JURISDICTIONS DO NOT ALLOW THE EXCLUSION OR LIMITATION OF SPECIAL, INCIDENTAL, PUNITIVE, EXEMPLARY, CONSEQUENTIAL, OR SIMILAR DAMAGES, SO THE ABOVE EXCLUSION OR LIMITATION MAY NOT APPLY TO YOU.

To the extent permitted by law, this warranty is not transferable and will automatically terminate if the original product purchaser sells or otherwise disposes of the product.

This warranty gives you specific legal rights. Other rights, which vary from jurisdiction to jurisdiction, may exist. In addition some jurisdictions do not allow (i) the exclusion of certain warranties, (ii) limitations on how long an implied warranty lasts and/or (iii) the exclusion or limitation of certain types of costs and/or damages, so the above limitations may not apply.

Service

ACCO Brands USA
300 Tower Parkway,
Lincolnshire, IL 60069-3640
(800) 541-0094

ACCO Brands Canada
5 Precidio Court
Brampton, ON L6S-6B7
(800) 263-1063

ACCO Mexicana
Neptuno #43, Colonia Nueva Industrial Vallejo
Delagacion Gustavo A. Madero, CP 07700
México, DF. (55) 1500-5578



ACCO BRANDS
Office Products Group
300 Tower Parkway
Lincolnshire, IL 60069-3640
In USA call 800.541.0094
www.acco.com

© 2009 ACCO Brands. All rights reserved. ACCO® is a registered trademark and Sprint™ is a trademark of ACCO Brands. GBC® and HeatSeal® are registered trademarks of General Binding Corporation.

www.gbc.com

Free Manuals Download Website

<http://myh66.com>

<http://usermanuals.us>

<http://www.somanuals.com>

<http://www.4manuals.cc>

<http://www.manual-lib.com>

<http://www.404manual.com>

<http://www.luxmanual.com>

<http://aubethermostatmanual.com>

Golf course search by state

<http://golfingnear.com>

Email search by domain

<http://emailbydomain.com>

Auto manuals search

<http://auto.somanuals.com>

TV manuals search

<http://tv.somanuals.com>