



## *Air Conditioner*

---

### **Contents**

Air Direction	4	Installation Instructions	7-11
Air Filter	5	Model and Serial Numbers	2,5
Appliance Registration	2	Problem Solver	6
Care and Cleaning	5	Repair Service	6
Condenser Coils	5	Safety Instructions	2
Control Settings	3, 4	User Maintenance Instructions	5
Electrical Requirements	7	Warranty	Back Cover
Energy Saver Switch	3		
Energy-Saving Tips	2		
Extension Cords	7		
Grille and Cabinet	5	<b>GE Answer Center*</b>	
Grounding	7	<b>800.626.2000</b>	

**Models**    **AES15 AED18**  
              **AES18 AES23**

***GE Appliances***

---

## Help us help you...

### Before using your air conditioner, read this book carefully.

It is intended to help you operate and maintain your new air conditioner properly.

Keep it handy for answers to your questions.

If you don't understand something or need more help, write (include your phone number):

Consumer Affairs  
GE Appliances  
Appliance Park  
Louisville, KY 40225

### Write down the model and serial numbers.

You'll find them on a label behind the air discharge louvers. They'll be easier to read if you shine a flashlight on them or remove the front grille. (See page 5.)

These numbers are also on the Consumer Product Ownership Registration Card that came with your air conditioner. Before sending in this card, please write these numbers here:

---

Model Number

---

Serial Number

Use these numbers in any correspondence or service calls concerning your air conditioner.

### If you received a damaged air conditioner . . .

Immediately contact the dealer (or builder) that sold you the air conditioner.

### Save time and money. Before you request service . . .

Check the Problem Solver on page 6. It lists causes of minor operating problems that you can correct yourself.

## Important Safety Instructions

### Read all instructions before using this appliance.

When using this appliance, always exercise basic safety precautions, including the following:

- **Use this appliance only for its intended purpose** as described in this Use and Care Guide.
- **This air conditioner must be properly installed in accordance with the Installation Instructions before it is used.** See grounding instructions on page 7.
- **Never unplug your air conditioner by pulling on the power cord.** Always grip plug firmly and pull straight out from the receptacle.
- **Repair or replace immediately all electric service cords that have become frayed or otherwise damaged.** Do not use a cord that shows cracks or abrasion damage along its length or at either the plug or connector end.

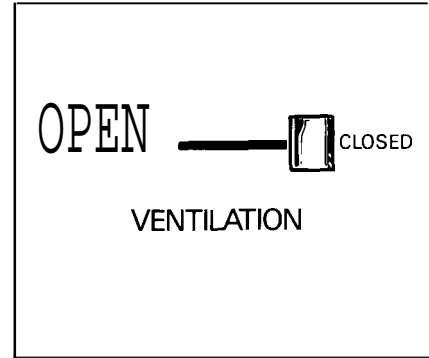
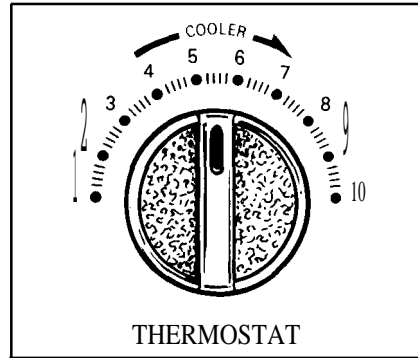
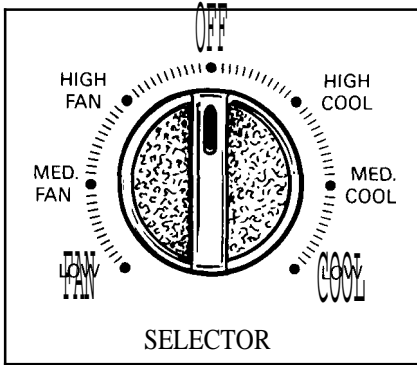
## SAVE THESE INSTRUCTIONS

## Energy-saving tips

. Keep the air filter clean. (See instructions on page 5.)

- For most efficient cooling, keep the vent control in the CLOSED position except when you want to exhaust air, smoke or odors from the room.
- Don't let the room get too hot. Whenever possible, turn the unit on before the room heats up. When heat is "stored up" in walls, furniture, rugs and draperies, your air conditioner takes longer to produce the desired comfort condition.
- Keep windows and doors closed. Cool, dry air escapes when they're open.
- Keep furnace floor registers and cold air returns closed. Cold air can easily escape through them.
- Don't let drapes or furniture block the front of the unit and restrict air flow when it is operating.
- It's best to operate your air conditioner at high speed during extremely hot weather.
- Keep the outdoor condenser coil clean. (See page 5.)
- Turn the air conditioner off before vacations or extended absences from home.

# Operating Your Air Conditioner Controls



## Selector Switch

**OFF** turns air conditioner off.

\***LOW FAN** permits low fan speed operation without cooling.

\***MED FAN** permits medium fan speed operation without cooling.

\***HIGH FAN** permits high fan speed operation without cooling.

\**For FAN operation, Energy Saver Switch must be in NORMAL position.*

**LOW COOL** permits cooling with low fan speed operation.

**MED COOL** permits cooling with medium fan speed operation.

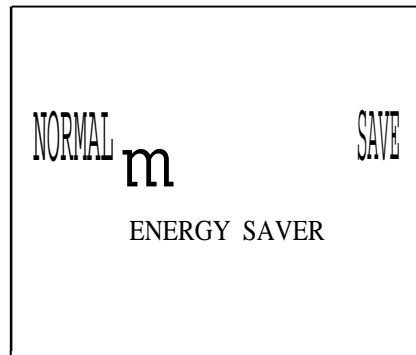
**HIGH COOL** permits cooling with high fan speed operation.

## Thermostat Control

When you turn the Thermostat Control to the desired setting, the thermostat will automatically control the temperature of the indoor air. The higher the number selected, the cooler the indoor air will be.

## \*Energy Saver Switch

(on models so equipped)



The Energy Saver Switch controls the fan operation. When it's in the **NORMAL** position, the fan will circulate room air continuously. When it's in the **SAVE** position, the fan will automatically cycle on and off with the compressor.

## Ventilation Control

The vent door in your air conditioner is closed when the slide switch is to the right. When the vent is closed, only the air inside the room can be circulated and conditioned. Sliding the knob to the left opens the vent door, allowing a small amount of indoor air to be exhausted from the room.

Setting the Ventilation Control at **OPEN** lets room air be exhausted to the outside. This is helpful in removing stale air, smoke or odors from the room, and permits outdoor air to enter through normal openings in the house. However, cooling effectiveness is reduced when this control is set at **OPEN**, so we suggest you don't keep it there long—especially in hot, humid weather.

(continued next page)

# Operating Your Air Conditioner Controls (continued)

## For normal cooling

1. Set the Selector Switch at HIGH COOL.
2. Set the Thermostat Control at the desired number (usually 5-7 is a good starting position). If room temperature is not satisfactory after a reasonable time, set the Thermostat Control at a higher number for a cooler room or at a lower number for a warmer room.
3. Set the Energy Saver Switch\* at NORMAL position for continuous fan operation or at SAVE position to automatically cycle the fan on and off with the compressor.
4. Set the Ventilation Control at CLOSED except for brief periods when you want to exhaust room air to the outside.

## For maximum cooling

1. Set the Selector Switch at HIGH COOL.
2. Turn the Thermostat Control to 10.
3. Set the Ventilation Control at CLOSED.
4. Set the Energy Saver Switch\* at the NORMAL position.

## For quieter operation

1. Set the Selector Switch at LOW COOL position.
2. Turn the Thermostat Control to the desired number.  
When the Thermostat Control is set on 9 or 10 and the Fan is set on low speed, moisture may freeze on the coils and prevent the unit from cooling. If this happens, set the Fan at high speed and set the Thermostat Control to a lower number.
3. Set the Ventilation Control at CLOSED.
4. Set the Energy Saver Switch\* at the NORMAL position.

Note: When the Energy Saver Switch\* is at the SAVE position, changes in the sound level may be more noticeable than when it's at the NORMAL position.

## For nighttime operation

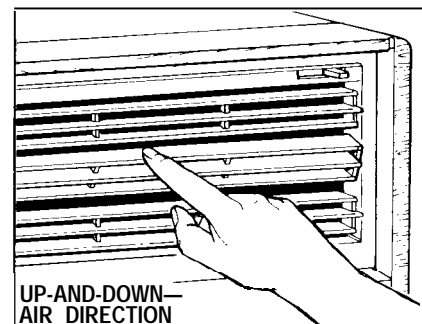
During the cooler evening hours, we recommend that you set the Selector Switch at LOW COOL for very quiet operation and the Thermostat Control at mid-range (5 or 6). Set the Ventilation Control at CLOSED and the Energy Saver Switch\* at NORMAL or SAVE position.

## For extreme temperatures

For greatest economy and best performance, we suggest you set the Selector Switch at HIGH COOL in extremely hot weather.

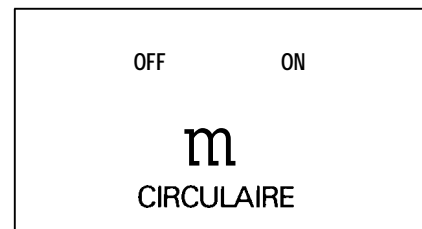
## To adjust air direction

### Up and down



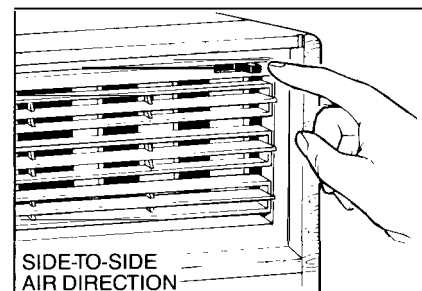
Three separate banks of up-and-down air direction louvers are controlled by fingertip pressure on the louvers. They regulate air discharge upward, downward or straight out.

### Side to side



Some models have a Circulaire Switch. For fixed side-to-side air direction, slide the Circulaire Switch to ON until the desired air direction is obtained, then move it to OFF.

For continuous side-to-side air circulation, set the Circulaire Switch to ON and leave it there.



Other models have two separate banks of side-to-side air direction louvers with separate tabs to let you direct discharged air to the right, to the left, or straight ahead.

\*On models so equipped

# Care and Cleaning

## USER MAINTENANCE INSTRUCTIONS

Turn air conditioner off and remove plug from wall outlet before cleaning.

### Grille & Cabinet

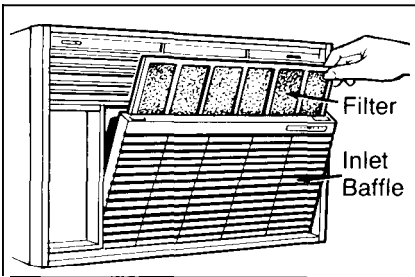
Wipe front grille with a clean cloth lightly dampened with mild liquid dishwashing detergent. Wash cabinet with mild soap or detergent and lukewarm water.

### Condenser Coils

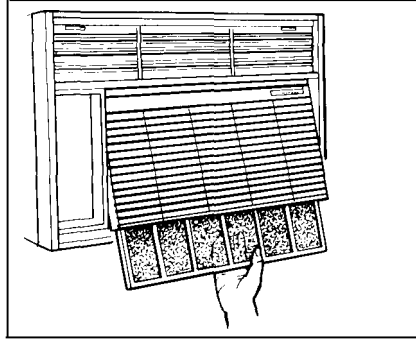
These coils on the weather side of the unit should be checked periodically and cleaned if clogged with dirt or soot from the atmosphere. If extremely soiled, they may need to be steam cleaned, a service available through your GE service outlet.

### Air Filter

The air filter behind the inlet grille should be washed at least every 30 days or as often as it needs cleaning.



To remove the filter, grasp the upper part of the inlet baffle and pull toward you. Then pull the filter up and out.



Note: If the air conditioner is installed high through a wall, you can pull the lower part of the inlet baffle toward you and pull the filter down and out.

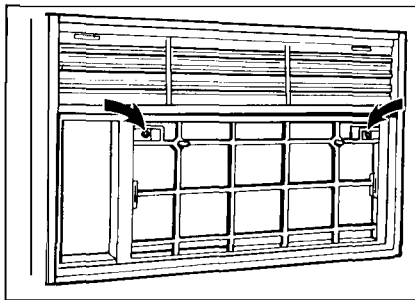
Vacuum the filter on the dusty side to remove light dust. Wash the filter, cleaner side up, under gently flowing water to wash out accumulated dust and lint. If the filter is very dirty, use a mild household detergent in the wash water. Let the filter dry thoroughly before replacing it.

### Front Grille Removal

The front grille can be removed for more thorough cleaning or to make the model and serial numbers easier to read.

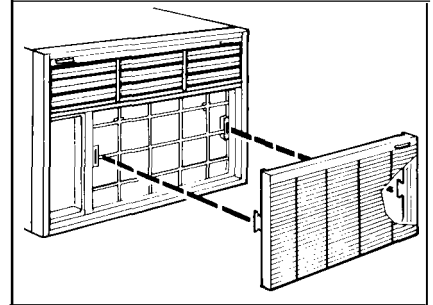
#### To remove the grille:

1. Grasp the upper part of the inlet baffle and pull it away from the frame. Do the same to the lower part of the inlet baffle. Then pull the baffle straight out and off the frame.



2. Remove and save the two slotted hex washerhead screws that hold the grille to the frame.

After cleaning, replace the grille. Use a magnetic-tipped screwdriver to attach the grille with the two screws removed in step 2.



To replace the inlet baffle, align the large tabs on the baffle with the slots on the frame and push straight on until the baffle snaps into place.



# Questions? Use This Problem Solver

PROBLEM	POSSIBLE CAUSE AND REMEDY
AIR CONDITIONER DOES NOT OPERATE	<ul style="list-style-type: none"> <li>• Not plugged in. Plug may have been bumped loose by vacuum cleaner or furniture.</li> <li>• If plugged in, fuse could have blown or circuit breaker may have tripped.</li> </ul>
AIR CONDITIONER "DOES NOT COOL AS IT SHOULD"	<ul style="list-style-type: none"> <li>• Curtains, blinds or furniture blocking front of air conditioner will restrict airflow.</li> <li>• Thermostat Control may not be set high enough. Turn control to a higher number. Highest setting should provide maximum cooling. When Energy Saver Switch (on some models) is set at SAVE, temperature range in room will vary more.</li> <li>• Air filter dirty, should be cleaned at least every 30 days. See instructions on page 5.</li> <li>• Room may have been very hot when air conditioner was first turned on. Allow time for it to cool down.</li> <li>• Cold air maybe escaping through open furnace floor registers and cold air returns.</li> <li>• Ventilation control maybe set at open position, allowing hot outside air to enter the room.</li> <li>• Cooling coils have iced up. To melt ice, set the Selector Switch to HIGH FAN and the Thermostat Control to a lower number.</li> </ul>
OPERATING SOUNDS	<ul style="list-style-type: none"> <li>• Thermostat click, a metallic sound, maybe heard when compressor cycles on and off. This is normal.</li> <li>• Fan runs continuously when Selector Switch is in Cool or Fan position. This is normal. When Energy Saver Switch (on some models) is set at SAVE, fan cycles on and off with compressor.</li> </ul>
WATER DRIPPING OUTSIDE	<ul style="list-style-type: none"> <li>• Excess water may overflow in extremely hot and humid weather. This is normal.</li> </ul>
WATER DRIPPING INSIDE	<ul style="list-style-type: none"> <li>• Air conditioner must be installed with the specified tilt to the outside for proper water disposal.</li> </ul>
WATER IN BASE PAN (ON OUTDOOR SIDE)	<ul style="list-style-type: none"> <li>• This is normal for a short period in areas with little humidity; normal for a longer period in very humid areas. Moisture removed from indoor air drains to rear of cabinet where it is picked up by a fan ring and thrown against the outdoor condenser coil.</li> </ul>

**If you need more help.. call, toll free:**  
**GE Answer Center<sup>®</sup>**  
**800.6262000**  
**consumer information service**

## If You Need Service

To obtain service, see your warranty on the back page of this book.

We're proud of our service and want you to be pleased. If for some reason you are not happy with the service you receive, here are three steps to follow for further help.

FIRST, contact the people who serviced your appliance. Explain

why you are not pleased. In most cases, this will solve the problem.

NEXT, if you are still not pleased, write all the details—including your phone number—to:

Manager, Consumer Relations  
 GE Appliances  
 Appliance Park  
 Louisville, Kentucky 40225

FINALLY, if your problem is still not resolved, write:

Major Appliance  
 Consumer Action Panel  
 20 North Wacker Drive  
 Chicago, Illinois 60606

# Installation Instructions

**IMPORTANT:** Leave these instructions with the appliance.  
**OWNER:** Keep these instructions for future use.

## Electrical Safety— IMPORTANT... Please Read Carefully.

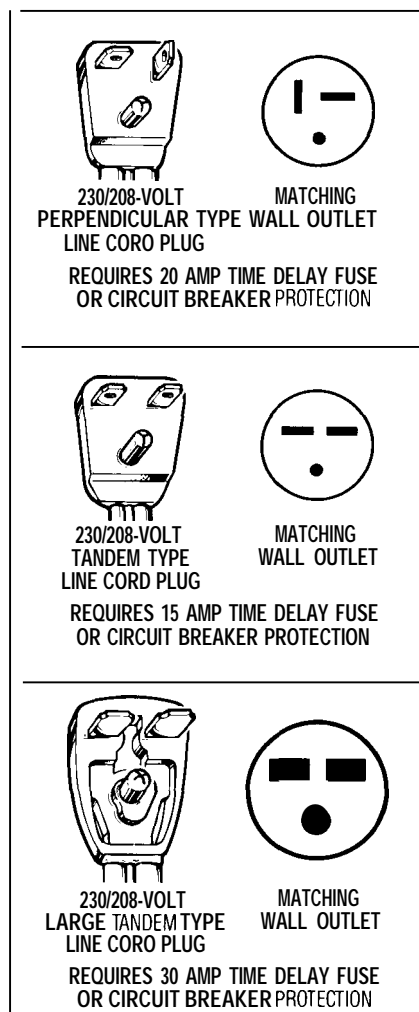
### How to connect electricity

For personal safety, this appliance must be properly grounded.

### Electrical requirement

**230/208-volt models** require their own single branch circuit supplying 230/208-volt a.c., protected with a time delay fuse or circuit breaker. This is recommended for best performance and to prevent overloading house wiring circuits, which could cause a possible fire hazard from overheating wires.

The power cord on these models has a 230/208-volt perpendicular, tandem or large tandem type plug that mates respectively with a 230/208-volt perpendicular, tandem or large tandem type wall outlet. These types of outlets are available at most hardware stores.

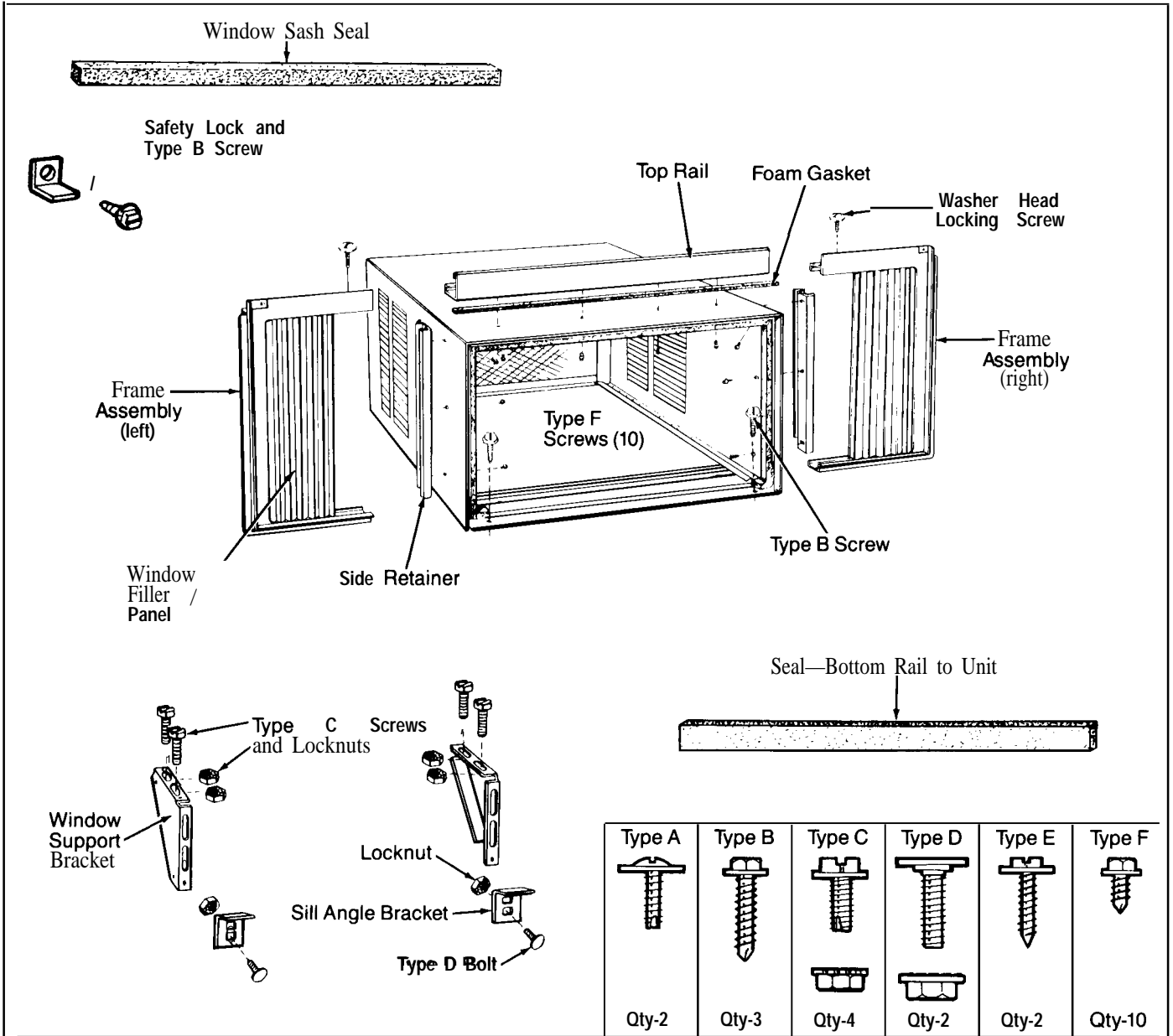


It is important to have the wall outlet and circuit checked by a qualified electrician if there is any doubt as to whether a proper ground exists.

### Use of extension cords not recommended

Because of potential safety hazards under certain conditions, we **strongly recommend against the use of an extension cord.** However, if you still elect to use an extension cord, it is absolutely necessary that it be a UL listed 3-wire grounding type appliance extension cord and that the current carrying rating of the cord in amperes be equal to or greater than the branch circuit size shown on the rating nameplate of the appliance.

# Installation Instructions (continued)



## Tools Needed

### For window installation

- Large blade-type screwdriver
- Adjustable wrench or pliers
- Rule or tape measure
- Pencil
- Sharp knife or razor blade

### For thru-the-wall installation

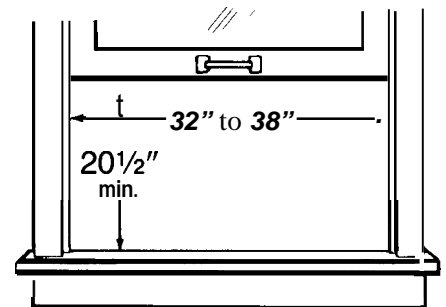
- All the tools above (except knife or razor blade) plus
- Magnetic stud finder (optional)
- Tin snips (optional)

- Hand saw
- Hammer
- Level
- Chisel
- Caulking gun
- Concrete saw (if installing through a masonry wall)

## Window Requirement@

- Standard double-hung window with actual opening width of 32" to 38".
- Clear, vertical opening of 20 1/2" minimum from bottom of sash to stool.

**Note:** All supporting parts should be secured to firm wood, masonry or metal.





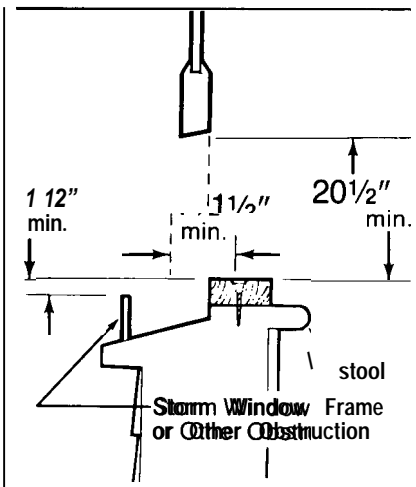
# Window Mounting

## Window Requirement

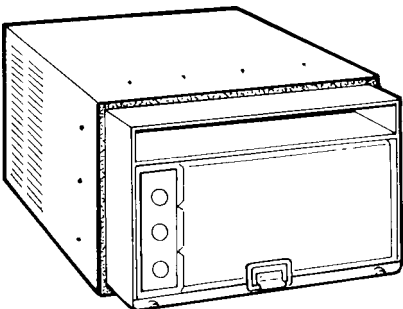
(continued)

A 1/2" clearance below the window stool is required.

If the storm window frame does not allow this clearance, attach a 1 1/2" or 2" wide strip of wood along the entire length of the window opening, flush with the back side of the stool, or remove the storm window for the air conditioning season.



### 1. Remove the Chassis.

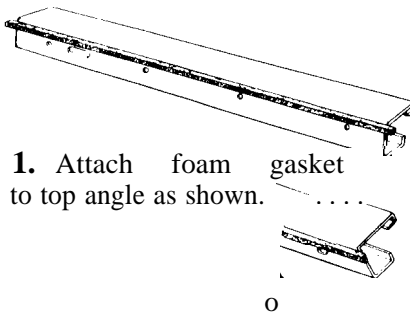


Slide chassis from cabinet by holding with left hand while pulling on handle at bottom front of unit. Be careful of sharp edges on the coil fins.

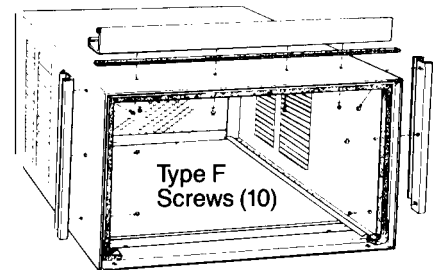
If your unit has corrugated packing material inside the cabinet, it must be removed. Do not remove the foam pads inside the cabinet.

**Note: Handle is NOT intended for lifting the unit.** It is only for sliding the chassis out of the cabinet for cleaning or maintenance.

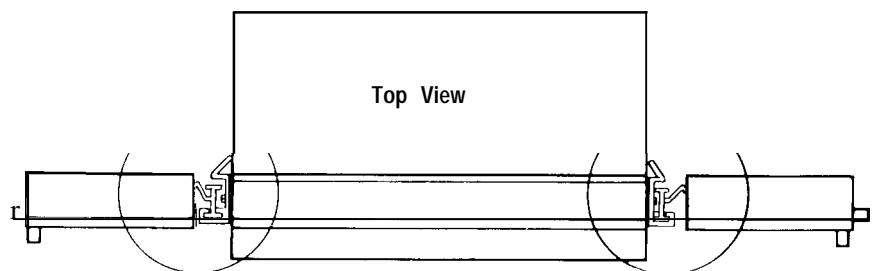
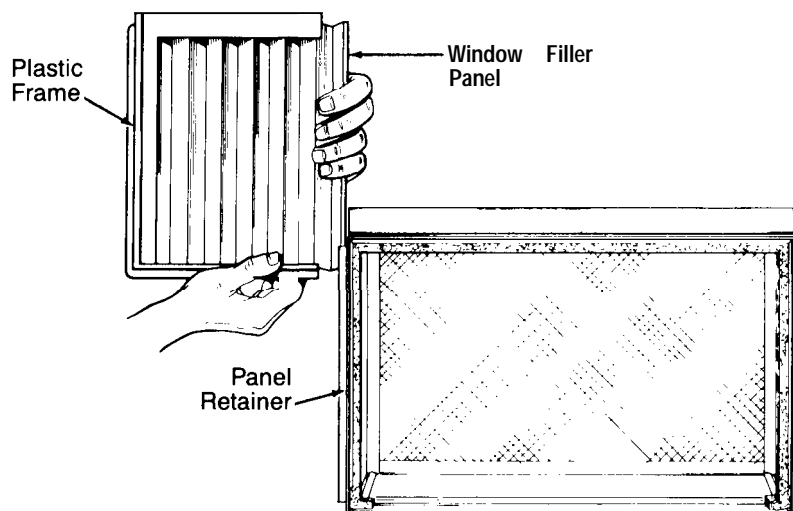
### 2. Install Top Angle and Side Retainers.



1. Attach foam gasket to top angle as shown.



2. Install top rail and side retainers to cabinet as shown, using 10 Type F screws.

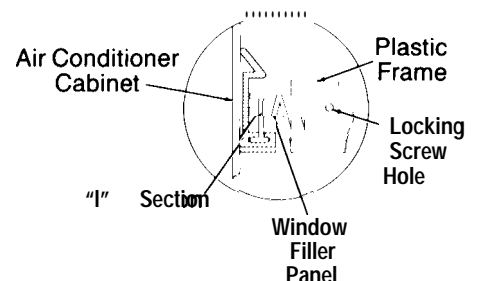


### 3. Assemble Window Filler Panels.

1. Place cabinet on floor, bench or table.

2. Slide the "T" section of the window filler panel into the panel retainer on the side of the cabinet as shown above. Do both sides,

3. Insert top and bottom legs of the window filler panel frame into the channel in the top support angle and bottom rail. Do both sides.

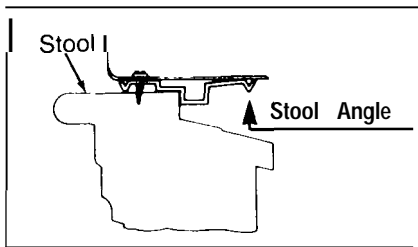


4. Insert two Type A screws into holes in the top leg of the filler panel frame. Do not tighten—legs should slide easily.

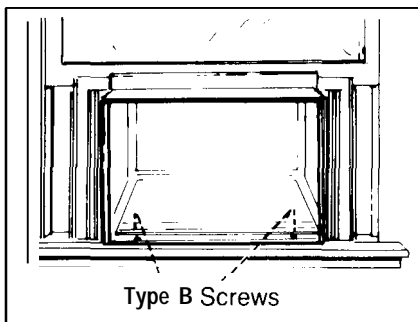
# Window Mounting (continued)

## 4. Locate Cabinet in Window.

1. Open window and mark center of window stool.
2. Place cabinet in window with bottom stool angle firmly seated over window stool as shown. Bring window down temporarily behind top rail to hold cabinet in place.

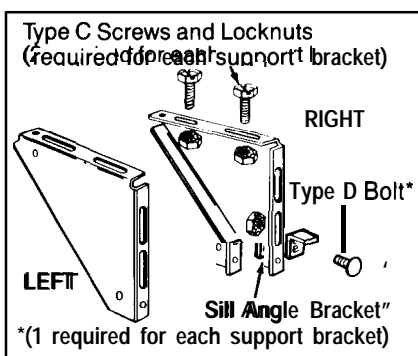


3. Shift cabinet left or right as needed to line up center of cabinet on center line marked on stool.

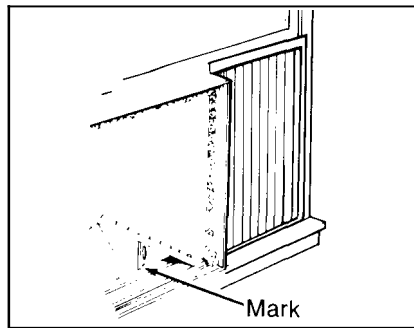


4. Fasten cabinet to window stool with 2 Type B screws. (You may want to drill pilot holes.)

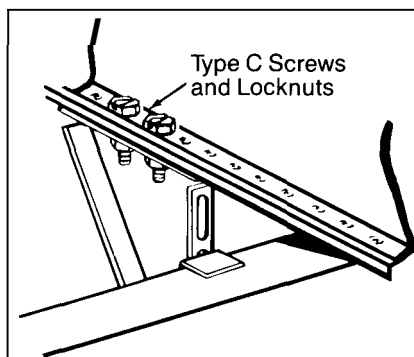
## 5. Install Support Brackets.



1. Hold each support bracket flush against outside of sill and tight to bottom of cabinet as shown. Mark brackets at top level of sill and remove them.



2. Assemble sill angle brackets to support brackets at positions previously marked, as-shown. Hand tighten only—some adjustment may be required later.

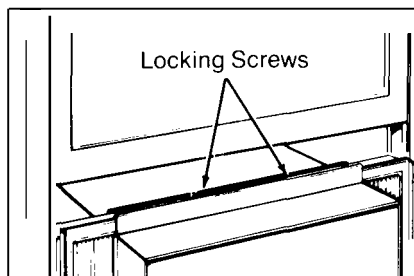


3. Install support brackets, with sill angle brackets attached, to cabinet as shown.

4. Tighten all 6 bolts securely.

## 6. Extend Window Filler Panels.

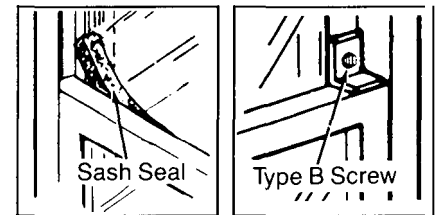
1. Carefully raise window to expose filler panel locking screws. Loosen screws so panels slide easily.



2. Extend panels to fill window opening completely and tighten locking screws on top.

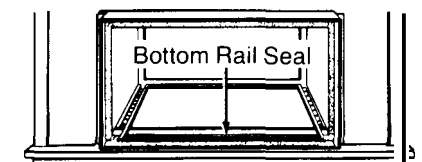
3. Close window behind top rail.

## 7. Install Window Lock and Sash Seal.



1. Trim sash seal to fit window width and insert into space between upper and lower sashes.

2. Attach right angle safety lock with Type B screw as shown.

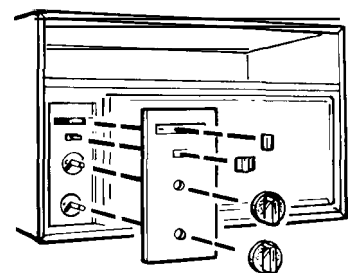


3. Position bottom rail seal on bottom rail flush with front edge of rail and in contact with side seals.

## 8. Slide Chassis into Cabinet.

Be sure handle at bottom of unit is up. Then lift chassis and carefully slide it into cabinet. Do not push on controls or finned coils. Make sure chassis is firmly seated toward rear of cabinet.

## 9. Install Dial Plate, Button and Knobs.



If dial plate has a protective film, peel the film off carefully. Do not scratch the surface of the plate.

## 10. Attach Front Grille.

- (a) Remove inlet baffle (see page 5).
- (b) Attach front grille to unit (see page 11, step 6b).
- (c) Reinstall inlet baffle (see page 5).

# Through-the-Wall Installation

- The cabinet may be installed through the wall in both existing buildings and new construction.
  - **The side louvers must project on the outdoor side of the wall.**
  - The room side of the cabinet must project into the room at least 1" from the finished wall.
- . The cabinet must be installed level from side to side and with a 3/8" tilt from front to rear.

## Tools Required

See page 8.

## Additional Materials

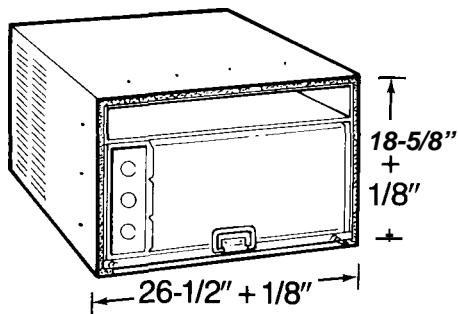
(obtain locally)

- .2 wood screws, 1" long
- 10 #10 wood screws, 1" long
- 1 tube high grade caulking compound
- Lintel, if required, to support bricks or blocks above opening.

## 1. Prepare Wall Opening.

### 1. Determine size of opening.

Measure width and height of cabinet and add 1/8" to each dimension.



**2. Choose the wall opening location.** Be sure wall receptacle is (or will be) installed nearby.

**3. Make the opening.** Frame it to support the weight of the air conditioner. Add metal flashing over bottom of frame opening and 1" upon sides to reduce the possibility of condensate entering the area between the inner and outer wall.

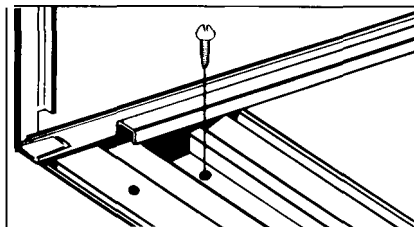
## 2. Prepare the Cabinet.

1. Remove chassis from cabinet.

2. With caulking compound or electrical tape, seal 10 holes provided in cabinet for top rail and side retainers not used in this installation.

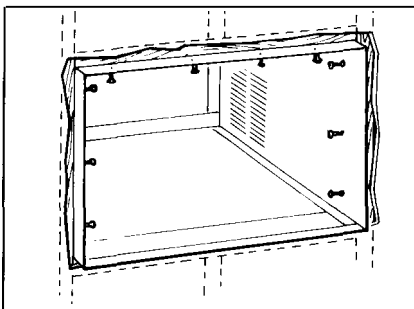
## 3. Install Cabinet in Wall.

1. Place cabinet in wall opening.



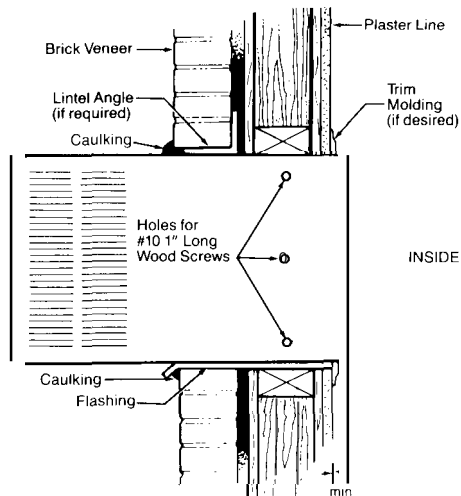
2. Secure bottom rail to wood frame with two 1" long wood screws obtained locally.

3. Secure cabinet to wooden frame with ten #10 1" long screws or nails obtained locally. If frame is oversize, use shims to eliminate distortion.



4. Caulk all four sides on the outdoor side of cabinet to prevent moisture from getting through to the interior wall. Use of flashing (a piece of aluminum or galvanized steel available at most hardware stores) will further prevent moisture from getting into interior walls.

5. Install wood trim molding (obtained locally) around roomside projection of cabinet, if desired.



## 4. Slide Chassis into Cabinet.

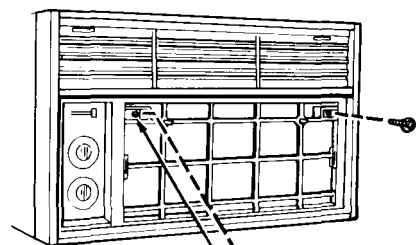
Be sure handle at bottom of unit is up. Then lift chassis and carefully slide it into cabinet. Do not push on controls or finned coils. Make sure chassis is firmly seated toward rear of cabinet.

## 5. Install Dial Plate, Button and Knobs.

See page 10, step 9.

## 6. Attach front Grille.

(a) Remove inlet baffle from front grille (see page 5).



If the unit has a screw in this location, remove and discard screw before installing front grille.

(b) Attach front grille to unit with two Type E hex washerhead screws as shown above.

(c) Reinstall inlet baffle (see page 5).

# YOUR GENERAL ELECTRIC ROOM AIR CONDITIONER WARRANTY

Save proof of original purchase date such as your sales slip or cancelled check to establish warranty period.

## WHAT IS COVERED

### FULL ONE-YEAR WARRANTY

For one year from date of original purchase, we will provide, free of charge, parts and service labor in your home to repair or replace *any part of the room air conditioner* that fails because of a manufacturing defect.

### FULL FIVE-YEAR WARRANTY

For five years from the date of original purchase, we will provide, free of charge, parts and service labor in your home to repair or replace *any part of the sealed refrigerating system* (the compressor, condenser, evaporator and all connecting tubing) that fails because of a manufacturing defect.

### *For each of the above warranties:*

Transportation expense to and from a service shop and shop service labor if required will be free of charge.

This warranty is extended to the original purchaser and any succeeding owner for products purchased for use in the 48 mainland states, Hawaii and Washington, D.C. In Alaska the warranty is the same except that it is LIMITED because you must pay to ship the product to the service shop or for the service technician's travel costs to your home.

All warranty service will be provided by our Factory Service Centers or by our authorized Customer Care® servicers during normal working hours.

Look in the White or Yellow Pages of your telephone directory for GENERAL ELECTRIC COMPANY, GENERAL ELECTRIC FACTORY SERVICE, GENERAL ELECTRIC-HOTPOINT FACTORY SERVICE or GENERAL ELECTRIC CUSTOMER CARE® SERVICE.

## WHAT IS NOT COVERED

- Service trips to teach you how to use the product.  
Read your Use and Care material. If you then have any questions about operating the product, please contact your dealer or our Consumer Affairs office at the address below, or call, toll free:  
GE Answer Center®  
800.626.2000  
consumer information service

- Improper installation.  
If you have an installation problem, or if the air conditioner is of improper cooling capacity for the intended use, contact your dealer or installer. You are responsible for providing adequate electrical connecting facilities.
- Replacement of fuses or resetting of circuit breakers.
- In commercial locations labor necessary to move the unit to a location where it is accessible for service by an individual technician.

- . Failure of the product resulting from modifications to the product or due to unreasonable use including failure to provide reasonable and necessary maintenance.

- Failure due to corrosion on models not corrosion-protected.

- . Damage to the product caused by improper power supply voltage, accident, fire, floods or acts of God.

WARRANTOR IS NOT RESPONSIBLE FOR CONSEQUENTIAL DAMAGES.

Some states do not allow the exclusion or limitation of incidental or consequential damages, so the above limitation or exclusion may not apply to you. This warranty gives you specific legal rights, and you may also have other rights which vary from state to state. To know what your legal rights are in your state, consult your local or state consumer affairs office or your state's Attorney General.

**Warrantor: General Electric Company**

If further help is needed concerning this warranty, write:  
Manager—Consumer Affairs, GE Appliances, Louisville, KY 40225

Part No. 90GER-D02  
Pub. No. 49-7220

AES15 AES23  
AES18 AED18

## Free Manuals Download Website

<http://myh66.com>

<http://usermanuals.us>

<http://www.somanuals.com>

<http://www.4manuals.cc>

<http://www.manual-lib.com>

<http://www.404manual.com>

<http://www.luxmanual.com>

<http://aubethermostatmanual.com>

Golf course search by state

<http://golfingnear.com>

Email search by domain

<http://emailbydomain.com>

Auto manuals search

<http://auto.somanuals.com>

TV manuals search

<http://tv.somanuals.com>