



Room Air Conditioners

Safety Instructions2, 3

Operating Instructions4, 5

Care and Cleaning

Air Filter6

Outdoor Coils6

Installation Instructions7-12

Troubleshooting Tips14

Normal Operating Sounds14

Consumer Support

Consumer SupportBack Cover

Ownership Registration for Customers in Canada only ...15, 16

Warranty for Customers in Canada17

Warranty for Customers in the U.S.A.18

*ENERGY STAR® labeled product



As an ENERGY STAR® partner, GE has determined that this product meets the ENERGY STAR® guidelines for energy efficiency.

Write the model and serial numbers here:

Model # _____

Serial # _____

Find these numbers on a label on the side of the air conditioner.

Owner's Manual and Installation Instructions

- AEM10*
- AEM12*
- AEQ10
- AEQ12

Climatiseur

Manuel d'utilisation et instructions d'installation

La section française commence à la page 19

Acondicionador de aire

Manual del propietario y instrucciones de instalación

La sección en español empieza en la página 35

IMPORTANT SAFETY INFORMATION. READ ALL INSTRUCTIONS BEFORE USING.

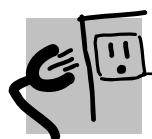
⚠ WARNING!

For your safety, the information in this manual must be followed to minimize the risk of fire, electric shock or personal injury.



SAFETY PRECAUTIONS

- Use this appliance only for its intended purpose as described in this Owner's Manual.
- This air conditioner must be properly installed in accordance with the Installation Instructions before it is used.
- Never unplug your air conditioner by pulling on the power cord. Always grip plug firmly and pull straight out from the receptacle.
- Replace immediately all electric service cords that have become frayed or otherwise damaged. A damaged power supply cord must be replaced with a new power supply cord obtained from the manufacturer and not repaired. Do not use a cord that shows cracks or abrasion damage along its length or at either the plug or connector end.
- Turn the unit **OFF** and unplug your air conditioner before making any repairs or cleaning.
- **NOTE:** We strongly recommend that any servicing be performed by a qualified individual.
- For your safety...do not store or use combustible materials, gasoline or other flammable vapors or liquids in the vicinity of this or any other appliance.
- All air conditioners contain refrigerants, which under federal law must be removed prior to product disposal. If you are getting rid of an old product with refrigerants, check with the company handling disposal about what to do.
- If the receptacle does not match the plug, the receptacle must be changed out by a qualified electrician.



HOW TO CONNECT ELECTRICITY

Do not, under any circumstances, cut or remove the third (ground) prong from the power cord. For personal safety, this appliance must be properly grounded.

DO NOT use an adapter plug with this appliance.

The power cord of this appliance is equipped with a 3-prong (grounding) plug which mates with a standard 3-prong (grounding) wall outlet to minimize the possibility of electric shock hazard from this appliance.

Power cord includes a current interrupter device. A test and reset button is provided on the plug case. The device should be tested on a periodic basis by first pressing the **TEST** button and then the **RESET** button while plugged into the outlet. If the **TEST** button does not trip or if the **RESET** button will not stay engaged, discontinue use of the air conditioner and contact a qualified service technician.

Have the wall outlet and circuit checked by a qualified electrician to make sure the outlet is properly grounded.

Where a 2-prong wall outlet is encountered, it is your personal responsibility and obligation to have it replaced with a properly grounded 3-prong wall outlet.

The air conditioner should always be plugged into its own individual electrical outlet which has a voltage rating that matches the rating plate.

This provides the best performance and also prevents overloading house wiring circuits which could cause a fire hazard from overheated wires.

See the Installation Instructions, *Electrical Requirements* section for specific electrical connection requirements.

⚠ WARNING!



USE OF EXTENSION CORDS—115-Volt models only

Because of potential safety hazards under certain conditions, we strongly recommend against the use of an extension cord.

However, if you must use an extension cord, it is absolutely necessary that it be a UL-listed, 14 gauge, 3-wire grounding type appliance extension cord having a grounding type plug and outlet and that the electrical rating of the cord be 15 amperes (minimum) and 125 volts.

⚠ CAUTION:

DO NOT use an extension cord with any of the 230/208 volt models.



READ AND FOLLOW THIS SAFETY INFORMATION CAREFULLY.

SAVE THESE INSTRUCTIONS

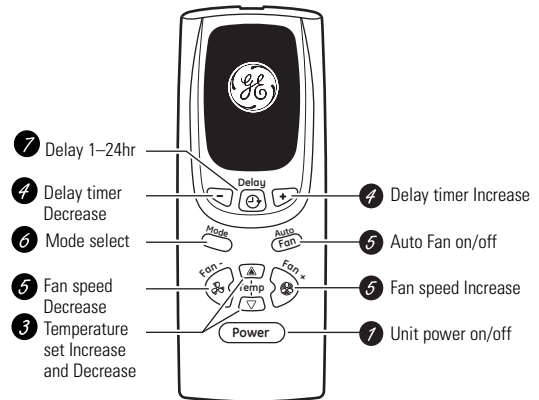
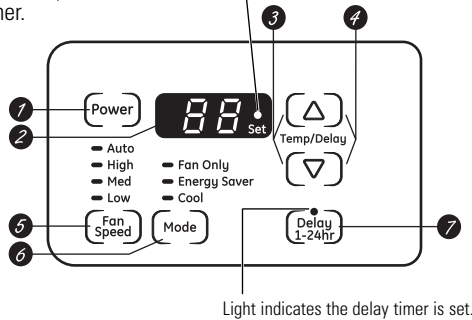
About the controls on the air conditioner

Features and appearance will vary.

Lights next to the touch pads on the air conditioner control panel indicate the selected settings.

The display always shows the room temperature except when setting the Set temperature or the Delay timer.

Light indicates the unit is in the temperature or delay time Set mode.



Air Conditioner Controls

Remote Control

Controls

1 Power Pad

Turns air conditioner on and off. When turned on, the display will show the room temperature.

2 Display

Shows the room temperature or time remaining on the Delay timer. Shows the **Set** temperature while setting the temperature in **Cool** or **Energy Saver** modes. The **Set** light will turn on while setting.

NOTE: The display will change to show the room temperature after settings have been made. To recall the **Set** temperature, press the **Temp Increase ▲** or **Decrease ▼** pads.

3 Temp Increase ▲ /Decrease ▼ Pads

Use to set temperature when in **Cool** or **Energy Saver** mode. The **Set** light will turn on while setting.

4 Delay Timer Increase ▲ (+)/Decrease ▼ (-) Pads

Each touch of the **Increase ▲ /Decrease ▼** pads on the unit or the **Increase + /Decrease -** pads on the remote control will set the delay time when using the **Delay 1-24hr** timer (⌚). The **Set** light will turn on while setting.

5 Fan Speed Pads

Use to set the fan speed to **Low**, **Med**, **High** or **Auto** on the unit. **NOTE:** On the remote control, use the fan speed **Increase + /Decrease -** pads to set the fan speeds to **Low**, **Med** or **High**. Use the **Auto** pad to turn **Auto** fan on.

6 Mode Pad

Use to set the air conditioner to **Cool**, **Energy Saver** or **Fan Only** mode.

7 Delay Pads

Delay ON—When the air conditioner is off, it can be set to automatically come on in 1 to 24 hours at its previous mode and fan settings.

Delay OFF—When the air conditioner is on, it can be set to automatically turn off in 1 to 24 hours.

How to set:

Press the **Delay 1-24hr** pad on the unit or the ⌚ pad on the remote control. Each touch of the **Increase ▲ /Decrease ▼** pads on the unit or the **Increase + /Decrease -** pads on the remote control will set the timer in 1-hour intervals. The **Set** light will turn on while setting.

To review the remaining time on the **Delay 1-24hr** timer, press the **Delay 1-24hr** pad on the unit or the ⌚ pad on the remote control. Use the **Increase ▲ /Decrease ▼** pads on the unit or the **Increase + /Decrease -** pads on the remote control to set a new time if desired.

To cancel the timer, press the **Delay 1-24hr** pad until the light on the **Delay 1-24hr** pad goes off.

Power Outage Recovery Feature

In the case of a power outage or interruption, the unit will automatically re-start in the settings last used after the power is restored. If the **Delay 1-24hr**

feature was set, it will resume countdown. You may need to set a new time if desired.

Cool Mode

Use the **Cool** mode at **Low, Med, High** or **Auto Fan Speed** for cooling. Use the **Temperature Increase ▲ / Decrease ▼** pads to set the desired temperature between 64°F and 86°F in 1°F increments.

An electronic thermostat is used to maintain the room temperature. The compressor will cycle on and off to keep the room at the set level of comfort. Set the thermostat at a lower number and the indoor air will become cooler. Set the thermostat at a higher number and the indoor air will become warmer.

NOTE: If the air conditioner is off and is then turned on while set to a **Cool** setting or if turned from a fan setting to a **Cool** setting, it may take approximately 3 minutes for the compressor to start and cooling to begin.

Cooling Descriptions

For Normal Cooling—Select the **Cool** mode and **High** or **Med** fan with a middle set temperature.

For Maximum Cooling—Select the **Cool** mode and **High** fan with a lower set temperature.

For Quieter & Nighttime Cooling—Select the **Cool** mode and **Low** fan with a middle set temperature.

Do Not Operate in Freezing Outdoor Conditions

This cool-only air conditioner was not designed for freezing outdoor conditions. It must not be used in freezing outdoor conditions.

Energy Saver Mode

Controls the fan.

ON—The fan will cycle on and off with the compressor. This results in wider variations of room temperature and humidity. Normally used when the room is unoccupied. **NOTE:** The fan may continue to run for a short time after the compressor cycles off.

OFF—The fan runs all the time, while the compressor cycles on and off.

Fan Only Mode

Use the **Fan Only** Mode at **Low, Med** or **High** fan speed to provide air circulation and filtering without cooling. Since fan only settings do not provide cooling, a **Set** temperature cannot be

entered. The room temperature will appear in the display.

NOTE: Auto Fan Speed cannot be used when in the **Fan Only** Mode.

Auto Fan Speed

Set to **Auto** fan speed for the fan speed to automatically set to the speed needed to provide optimum comfort settings with the set temperature.

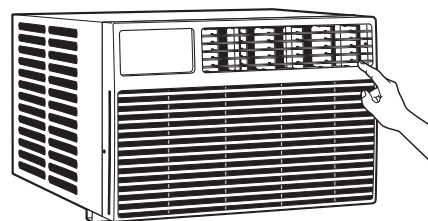
If the room needs more cooling, the fan speed will automatically increase. If the room needs less cooling, the fan speed will automatically decrease.

NOTE: Auto Fan Speed cannot be used when in the **Fan Only** Mode.

Air Direction

Use the levers to adjust the air direction left and right.

Fingertip pressure on the louver banks adjusts the air direction up or down.



Remote Control

- To ensure proper operation, aim the remote control at the signal receiver on the air conditioner.
- The remote control signal has a range of up to 20 feet.

- Make sure nothing is between the air conditioner and the remote control that could block the signal.
- Make sure batteries are fresh and installed correctly as indicated on the remote control.

Care and cleaning of the air conditioner.

Grille and Case

Turn the air conditioner off and remove the plug from the wall outlet before cleaning.

To clean, use water and a mild detergent. Do not use bleach or abrasives.

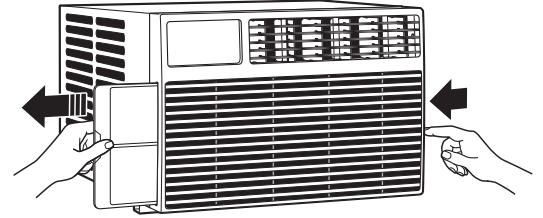
Air Filter

The air filter behind the front grille should be checked and cleaned at least every 30 days or more often if necessary.

To remove:

Push on one side of the filter edge and pull it out the other side.

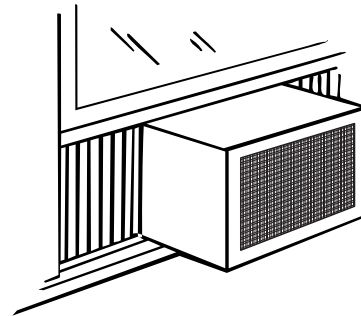
Clean the filter with warm, soapy water. Rinse and let the filter dry before replacing it. Do not clean the filter in a dishwasher.



CAUTION: DO NOT operate the air conditioner without a filter because dirt and lint will clog it and reduce performance.

Outdoor Coils

The coils on the outdoor side of the air conditioner should be checked regularly. If they are clogged with dirt or soot, they may be professionally cleaned.



How to Insert the Batteries in the Remote Control

- 1 Remove the battery cover by sliding it according to the arrow direction.
- 2 Insert new batteries, making sure that the (+) and (-) of battery are installed correctly.
- 3 Reattach the cover by sliding it back into position.

NOTES:

- Use 2 "AAA" (1.5 volt) alkaline batteries. Do not use rechargeable batteries.
- Remove the batteries from the remote control if the system is not going to be used for a long time.

Installation Instructions

Air Conditioner

? Questions? Call 800.GE.CARES (800.432.2737) or visit our Website at: ge.com
In Canada, call 1.800.561.3344 or visit www.GEAppliances.ca



BEFORE YOU BEGIN

Read these instructions completely and carefully.

- **IMPORTANT** — Save these instructions for local inspector's use.
- **IMPORTANT** — Observe all governing codes and ordinances.
- **Note to Installer** – Be sure to leave these instructions with the Consumer.
- **Note to Consumer** – Keep these instructions for future reference.
- **Skill level** – Installation of this appliance requires basic mechanical skills.
- **Completion time** – Approximately 1 hour
- We recommend that two people install this product.
- Proper installation is the responsibility of the installer.
- Product failure due to improper installation is not covered under the Warranty.
- You **MUST** use all supplied parts and use proper installation procedures as described in these instructions, and any separate kit instructions, when installing this air conditioner.



ELECTRICAL REQUIREMENTS



Some models require a 115/120-volt AC, 60 Hz grounded outlet protected with a 15-amp time delay fuse or circuit breaker.

The 3-prong grounding plug minimizes the possibility of electric shock hazard. If the wall outlet you plan to use is only a 2-prong outlet, it is your responsibility to have it replaced with a properly grounded 3-prong wall outlet.



Some models require 230/208-volt AC, protected with a time delay fuse or circuit breaker. These models should be installed on their own single branch circuit for best performance and to prevent overloading house or apartment wiring circuits, which could cause a possible fire hazard from overheating wires.



CAUTION:

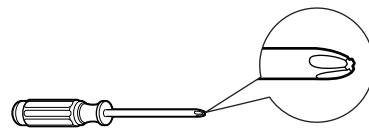
Do not, under any circumstances, cut or remove the third (ground) prong from the power cord.

Do not change the plug on the power cord of this air conditioner.

Aluminum house wiring may present special problems—consult a qualified electrician.

If the sill support bolts do not contact the window sill, or if you have a window without a sill, you must order accessory kit RAK87 to properly install this air conditioner. Call 800.626.2002 or visit ge.com.

TOOLS YOU WILL NEED



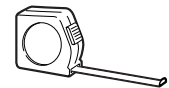
Phillips head screwdriver



Adjustable wrench



Flat-blade screwdriver



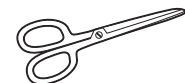
Ruler or tape measure



Pencil



Level

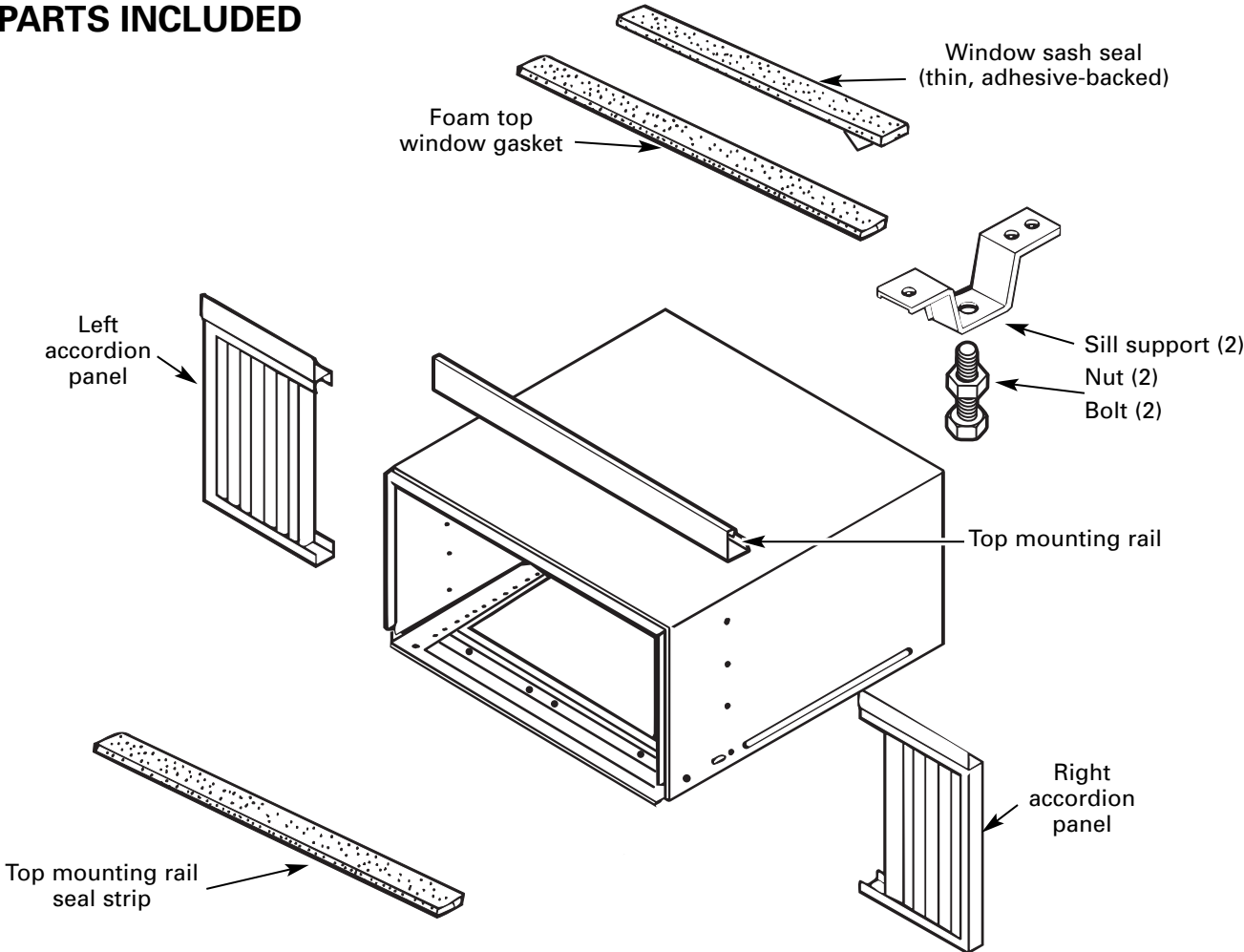


Scissors or knife

Power cord includes a current interrupter device. A test and reset button is provided on the plug case. The device should be tested on a periodic basis by first pressing the **TEST** button and then the **RESET** button while plugged into the outlet. If the **TEST** button does not trip or if the **RESET** button will not stay engaged, discontinue use of the air conditioner and contact a qualified service technician.

Installation Instructions

PARTS INCLUDED



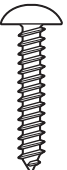
Type A (6)



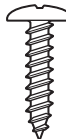
Type B (7)



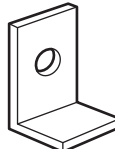
Type C (6)



Type D (3)



Window locking bracket (2)



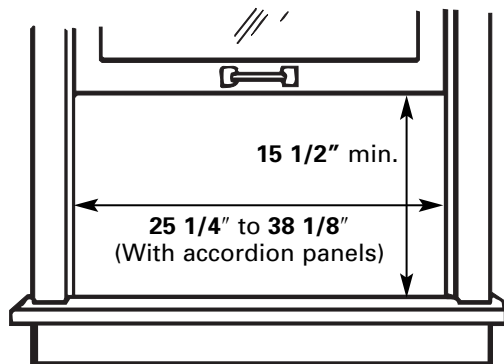
Installation Instructions

1 WINDOW REQUIREMENTS

- These instructions are for a standard double-hung window. You will need to modify them for other types of windows.

CAUTION: If the sill support bolts do not contact the window sill, or if you have a window without a sill, you must order accessory kit RAK87 to properly install this air conditioner. Call 800.626.2002 or visit ge.com.

- The air conditioner can be installed without the accordion panels if needed to fit in a narrow window. See the window opening dimensions.
- All supporting parts must be secured to firm wood, masonry or metal.
- The electrical outlet must be within reach of the power cord.



2 STORM WINDOW REQUIREMENTS

A storm window frame will not allow the air conditioner to tilt toward the outside, and will keep it from draining properly. To adjust for this, attach a piece of wood to the sill.

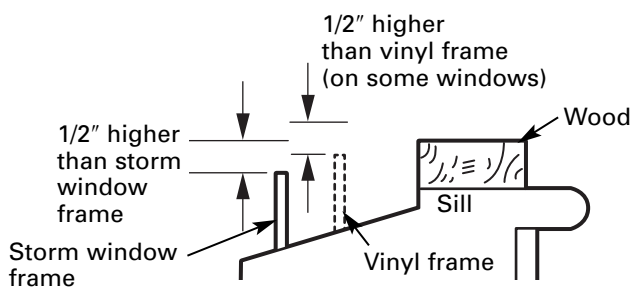
WOOD PIECES –

WIDTH: 2"

LENGTH: Long enough to fit inside the window frame.

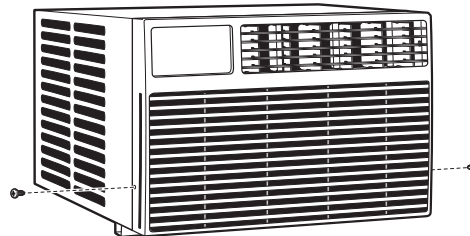
THICKNESS: To determine the thickness, place a piece of wood on the sill to make it 1/2" higher than the top of the storm window frame or the vinyl frame.

Attach securely with nails or screws provided by the installer.



3 REMOVE THE AIR CONDITIONER FROM THE CASE

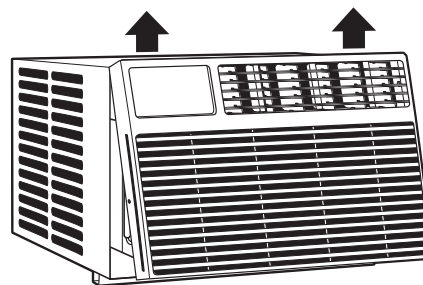
- A** Remove and save the 2 screws from the lower sides of the front grille.



FRONT

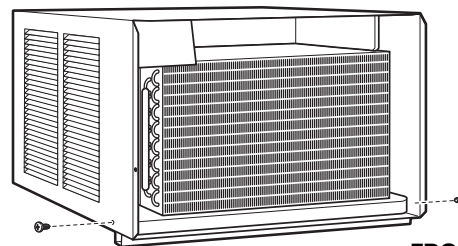
- B** Grasp the lower corners of the grille while pressing in on the case sides with your finger tips. Pull out to release and lift it up.

NOTE: Do not pull the bottom edge toward you more than 3" or you may damage the tabs of the grille.



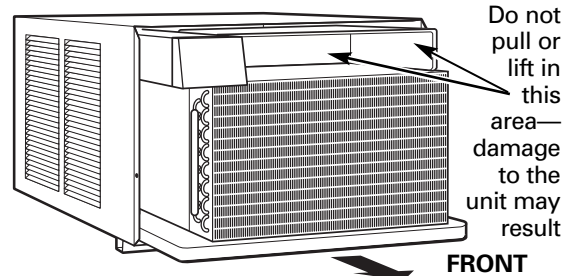
FRONT

- C** Remove the ground screw from each side of the case. Keep them in a safe location.



FRONT

- D** Slide the air conditioner from the case by gripping the base pan handle and pulling forward while bracing the case. Do not pull or lift on the styrofoam discharge area.

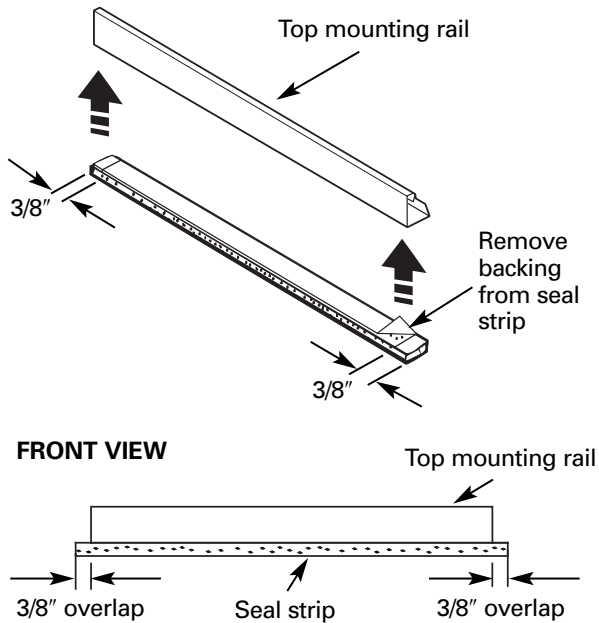


FRONT

Installation Instructions

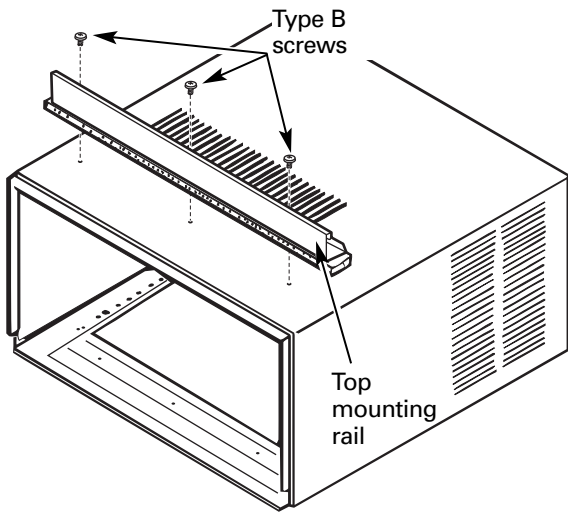
4 ATTACH THE TOP MOUNTING RAIL SEAL STRIP

Remove the backing from the top mounting rail seal strip and attach the seal strip to the bottom of the top mounting rail, along the front edge. Allow the seal strip to overlap 3/8" on each end.



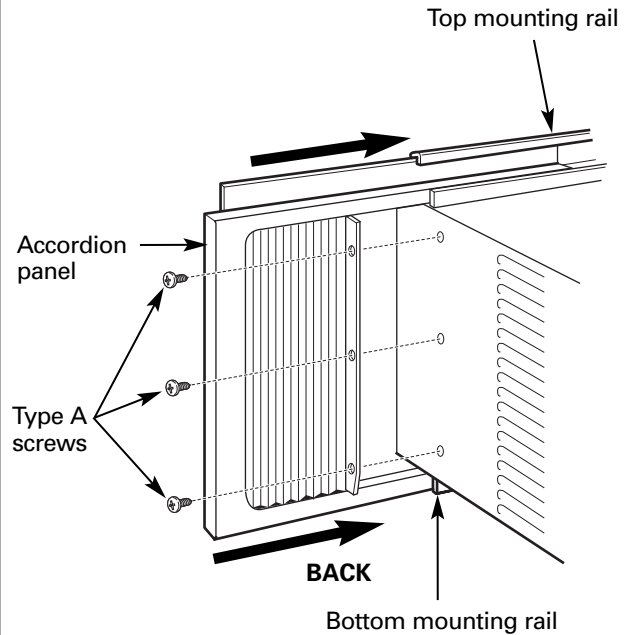
5 INSTALL THE TOP MOUNTING RAIL ONTO THE CASE

Attach the top mounting rail onto the top of the case with 3 Type B screws.



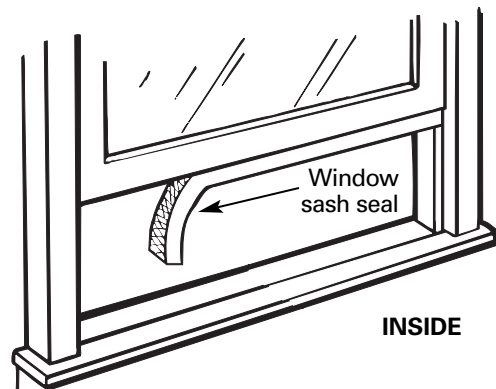
6 INSTALL THE SIDE ACCORDION PANELS

- A Slide the left and right accordion panels into the top and bottom mounting rails.
- B Attach the accordion panels to the case using 3 Type A screws on each side.



7 PREPARE THE WINDOW

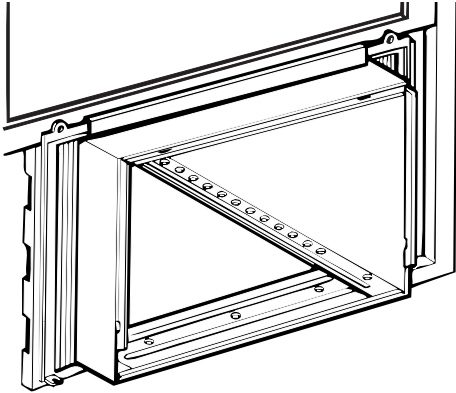
- Cut the window sash seal to the window width and stick the adhesive side to the bottom of the sash.



Installation Instructions

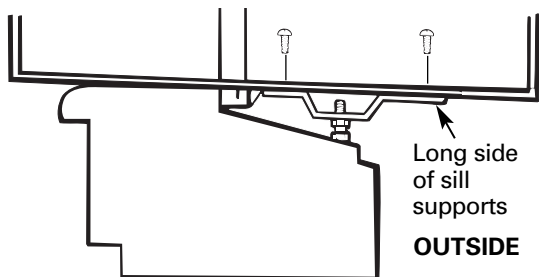
8 INSTALL THE CASE IN THE WINDOW

- A Open the window and mark the centerline of the window sill.
- B Carefully place the case on the window stool and align the center mark on the bottom front with the centerline of the sill.
- C Pull the window down behind the top mounting rail.



NOTE: Do not shut the window so tightly that movement of the accordion panels is restricted.

- D Select the position that will place the sill supports near the outermost point on the sill. Place the short side of the sill supports, on the case bottom, toward the window. Attach the sill supports to the case track hole in relation to the selected position using 2 Type B screws in each support.

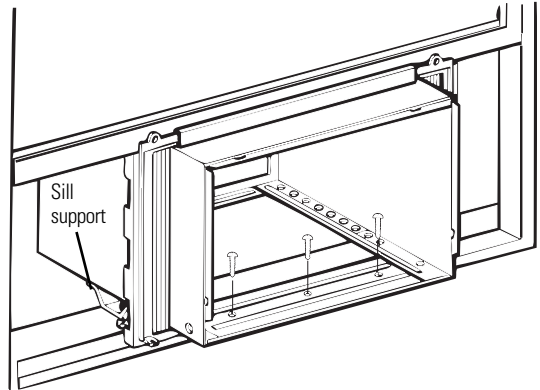


- E Adjust the bolt and the nut in each support so that the case is installed with a slight tilt to the outside. Use a level; about 1/2 bubble will be the correct case slant to the outside.

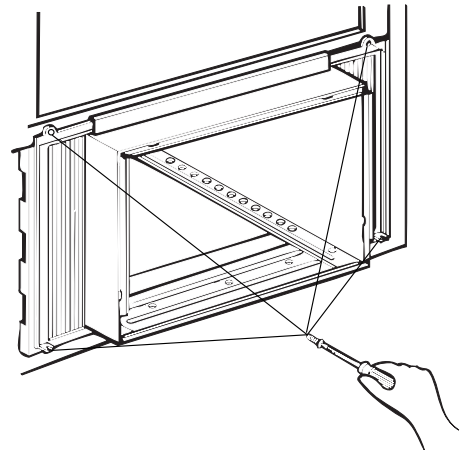
CAUTION: If the sill support bolts do not contact the window sill, or if you have a window without a sill, you must order accessory kit RAK87 to properly install this air conditioner. Call 800.626.2002 or visit ge.com.

8 INSTALL THE CASE IN THE WINDOW (CONT.)

- F Secure the case to the window sill by using 3 Type D screws.



- G Pull the accordion panels to each window sash track. Attach them on each side to the window sash and the window sill using 4 Type C screws.

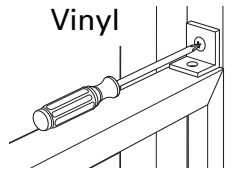


Installation Instructions

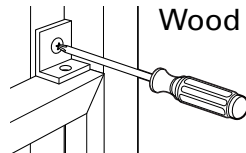
9 INSTALL SUPPORT BRACKET AND FOAM TOP WINDOW GASKET

A **CAUTION:**

To prevent broken glass or damage to windows, on vinyl or other similarly constructed windows, attach the support bracket to the window side jam.

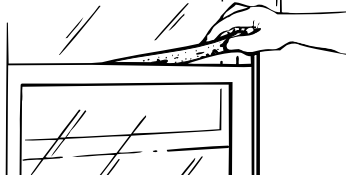


Attach the support bracket with one Type C screw.



B Cut the foam top window gasket to the window width.

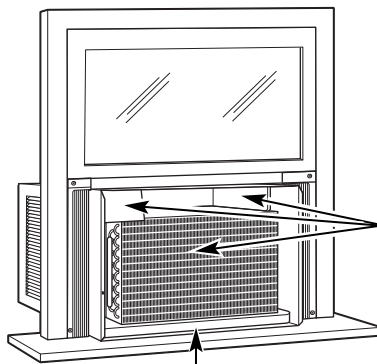
C Stuff the foam between the glass and the window to prevent air and insects from getting into the room.



NOTE: If the gasket supplied does not fit your window, obtain appropriate material locally to provide a proper installation seal.

10 INSTALL THE AIR CONDITIONER IN THE CASE

A Slide the air conditioner into the case by the base pan. Do not push on the controls, styrofoam air discharge housing or the finned coils. Make sure the air conditioner is firmly seated.



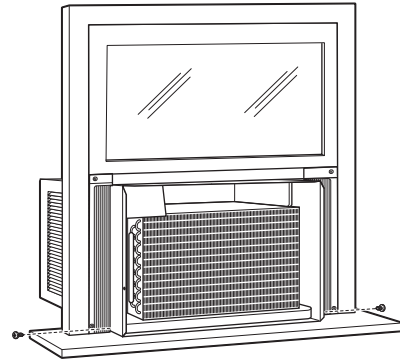
Do not press on these areas—
damage to the unit may result

Base Pan

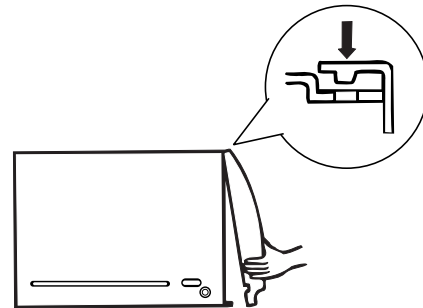
10 INSTALL THE AIR CONDITIONER IN THE CASE (CONT.)

B Replace the 2 ground screws removed earlier, one on each side of the case.

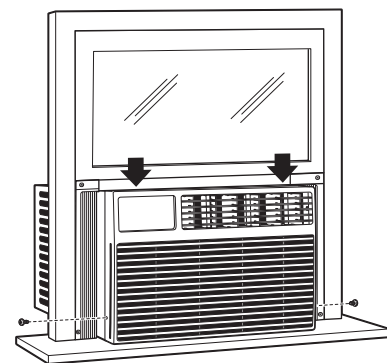
IMPORTANT: The ground screws must be reinstalled to ensure a proper ground.



C Attach the front grille to the case by inserting the tabs on the grille into the slots on the front top of the case. Push the grille in.



D Secure the front grille to the case by replacing the 2 screws removed earlier. Press on the top of the grille to help with side screw installation.



E Connect power.

Troubleshooting Tips.

| Problem | Possible Causes | What To Do |
|---|--|--|
| Air conditioner does not start | The air conditioner is unplugged. | <ul style="list-style-type: none"> • Make sure the air conditioner plug is pushed completely into the outlet. |
| | The fuse is blown/circuit breaker is tripped. | <ul style="list-style-type: none"> • Check the house fuse/circuit breaker box and replace the fuse or reset the breaker. |
| | Power failure. | <ul style="list-style-type: none"> • The unit will automatically re-start in the settings last used after the power is restored. • There is a protective time delay (approximately 3 minutes) to prevent tripping of the compressor overload. For this reason, the unit may not start normal cooling for 3 minutes after it is turned back on. |
| | The current interrupter device is tripped. | <ul style="list-style-type: none"> • Press the RESET button located on the power cord plug. • If the RESET button will not stay engaged, discontinue use of the air conditioner and contact a qualified service technician. |
| Air conditioner does not cool as it should | Airflow is restricted. | <ul style="list-style-type: none"> • Make sure there are no curtains, blinds or furniture blocking the front of the air conditioner. |
| | The temp control may not be set correctly. | <ul style="list-style-type: none"> • On models with touch pads: In the Cool mode, press the Decrease ▼ pad. • On models with control knobs, turn the temperature knob to a higher number. |
| | The air filter is dirty. | <ul style="list-style-type: none"> • Clean the filter at least every 30 days. See the <i>Care and Cleaning</i> section. |
| | The room may have been hot. | <ul style="list-style-type: none"> • When the air conditioner is first turned on, you need to allow time for the room to cool down. |
| | Cold air is escaping. | <ul style="list-style-type: none"> • Check for open furnace registers and cold air returns. |
| | Cooling coils have iced up. | <ul style="list-style-type: none"> • See "Air conditioner freezing up" below. |
| Air conditioner freezing up | Ice blocks the air flow and stops the air conditioner from cooling the room. | <ul style="list-style-type: none"> • On models with control knobs, set the mode control at High Fan or High Cool with the Temp at 1 or 2. • On models with touch pads, set the controls at High Fan or High Cool and set the thermostat to a higher temperature. |
| The remote control is not working | The batteries are inserted incorrectly. | <ul style="list-style-type: none"> • Check the position of the batteries. They should be inserted in the opposite (+) and (-) direction. |
| | The batteries may be dead. | <ul style="list-style-type: none"> • Replace the batteries. |
| Water drips outside | Hot, humid weather. | <ul style="list-style-type: none"> • This is normal. |
| Water drips indoors | The air conditioner is not tilted to the outside. | <ul style="list-style-type: none"> • For proper water disposal, make sure the air conditioner slants slightly from the case front to the rear. |
| Water collects in base pan | Moisture removed from air and drains into base pan. | <ul style="list-style-type: none"> • This is normal for a short period in areas with little humidity; normal for a longer period in very humid areas. |

Normal Operating Sounds

- You may hear a pinging noise caused by water being picked up and thrown against the condenser on rainy days or when the humidity is high. This design feature helps remove moisture and improve efficiency.
- You may hear the thermostat click when the compressor cycles on and off.
- Water will collect in the base pan during high humidity or on rainy days. The water may overflow and drip from the outdoor side of the unit.
- The fan may run even when the compressor does not.

| | | | | | |
|-------------------------|-----------------------------|----------------------------------|--------------------------|-------------------------------|----------------------------|
| Consumer Support | Troubleshooting Tips | Installation Instructions | Care and Cleaning | Operating Instructions | Safety Instructions |
|-------------------------|-----------------------------|----------------------------------|--------------------------|-------------------------------|----------------------------|

Notes.

Please place in envelope and mail to:
Veuillez mettre dans une enveloppe et envoyez à :

**OWNERSHIP REGISTRATION
P.O. BOX 1780
MISSISSAUGA, ONTARIO
L4Y 4G1**

(FOR CANADIAN CONSUMERS ONLY)



For Canadian
Customers



Pour les
Consommateurs
Canadiens

CUT ALONG THIS LINE AND RETURN CARD—THANKS

| OWNERSHIP REGISTRATION CERTIFICATE – FICHE D'INSCRIPTION DU PROPRIÉTAIRE | | | | | |
|---|-----------------------------------|--|---|---|----------------------|
| Please register your product to enable us to contact you in the remote event a safety notice is issued for this product and to allow for efficient communication under the terms of your warranty, should the need arise. | | | Veuillez enregistrer votre produit afin de nous permettre de communiquer avec vous si jamais un avis de sécurité concernant ce produit était émis et de communiquer facilement avec vous en vertu de votre garantie, si le besoin s'en fait sentir. | | |
| REGISTER ON-LINE: | | www.geappliances.ca | | MAIL TO: P.O. BOX 1780, MISSISSAUGA ONTARIO, L4Y 4G1 | |
| ENREGISTREMENT SUR INTERNET À: | | www.electromenagersge.ca | | POSTER À: | |
| <input type="checkbox"/> MR./M | <input type="checkbox"/> MRS./MME | FIRST NAME / PRÉNOM | | LAST NAME / NOM | |
| <input type="checkbox"/> MISS/MILLE | <input type="checkbox"/> MS. | | | | |
| STREET NO / N° RUE | | STREET NAME / RUE | | | APT. NO / APP. / RR# |
| CITY / VILLE | | | PROVINCE | POSTAL CODE / POSTAL | |
| AREA CODE / IND. RÉG. | TELEPHONE | E-MAIL | | | |
| DID YOU PURCHASE A SERVICE CONTRACT FOR THIS APPLIANCE? AVEZ-VOUS ACHETÉ UN CONTRAT DE SERVICE POUR CET APPAREIL ? | | | YES / OUI <input type="checkbox"/> | IF YES / SI OUI: EXPIRATION | |
| | | | NO / NON <input type="checkbox"/> | Y/A | M D/J |
| NAME OF SELLING DEALER / NOM DU MARCHAND | | | MODEL / MODÈLE | | |
| INSTALLATION DATE / DATE D'INSTALLATION Y/A M D/J | | CORRESPONDENCE | <input type="checkbox"/> ENGLISH | | |
| | | CORRESPONDANCE | <input type="checkbox"/> FRANÇAIS | SERIAL / SÉRIE | |
| <input type="checkbox"/> I do not wish to receive any promotional offers regarding this product. <input type="checkbox"/> Je ne désire pas recevoir d'offres promotionnelles concernant ce produit. | | | | | |

GE Air Conditioner—One-Year Limited Warranty. (For customers in the U.S.A.)



All warranty service provided by our Factory Service Centers, or an authorized Customer Care® technician. To schedule service, visit us on-line at ge.com, or call 800.GE.CARES (800.432.2737). Have serial number and model number available when calling for service.

Staple your receipt here.
Proof of the original purchase date is needed to obtain service under the warranty.

For The Period Of: GE Will Replace:

One Year

From the date of the original purchase

Any part of the air conditioner which fails due to a defect in materials or workmanship. During this **limited one-year warranty**, GE will also provide, **free of charge**, all labor and related service to replace the defective part.

What Is Not Covered:

- Service trips to your home to teach you how to use the product.
- Replacement of house fuses or resetting of circuit breakers.
- Improper installation, delivery or maintenance. If you have an installation problem, or if the air conditioner is of improper cooling capacity for the intended use, contact your dealer or installer. You are responsible for providing adequate electrical connecting facilities.
- Failure due to corrosion on models not corrosion-protected.
- Failure of the product resulting from modifications to the product or due to unreasonable use including failure to provide reasonable and necessary maintenance.
- Damage to the product caused by improper power supply voltage, accident, fire, floods or acts of God.
- In commercial locations, labor necessary to move the unit to a location where it is accessible for service by an individual technician.
- Incidental or consequential damage caused by possible defects with this air conditioner.
- Damage caused after delivery.

EXCLUSION OF IMPLIED WARRANTIES—Your sole and exclusive remedy is product repair as provided in this Limited Warranty. Any implied warranties, including the implied warranties of merchantability or fitness for a particular purpose, are limited to one year or the shortest period allowed by law.

This warranty is extended to the original purchaser and any succeeding owner for products purchased for home use within the USA. If the product is located in an area where service by a GE Authorized Servicer is not available, you may be responsible for a trip charge or you may be required to bring the product to an Authorized GE Service location for service. In Alaska, the warranty excludes the cost of shipping or service calls to your home.

Some states do not allow the exclusion or limitation of incidental or consequential damages. This warranty gives you specific legal rights, and you may also have other rights which vary from state to state. To know what your legal rights are, consult your local or state consumer affairs office or your state's Attorney General.

Warrantor: General Electric Company, Louisville, KY 40225

Safety Instructions

Operating Instructions

Care and Cleaning

Installation Instructions

Troubleshooting Tips

Consumer Support

GE Air Conditioner—One-Year Limited Warranty. (For customers in the Canada)



All warranty service provided by our Factory Service Centers, or an authorized Customer Care® technician. For service, call 1.800.561.3344. Please have serial number and model number available when calling for service.

Staple your receipt here.
Proof of the original purchase date is needed to obtain service under the warranty.

For The Period Of: **Mabe Will Replace:**

One Year

From the date of the original purchase

Any part of the air conditioner which fails due to a defect in materials or workmanship. During this **limited one-year warranty**, Mabe will also provide, **free of charge**, all labor and related service to replace the defective part.

What Is Not Covered:

- Service trips to your home to teach you how to use the product.
- Replacement of house fuses or resetting of circuit breakers.
- Improper installation, delivery or maintenance. If you have an installation problem, or if the air conditioner is of improper cooling capacity for the intended use, contact your dealer or installer. You are responsible for providing adequate electrical connecting facilities.
- Failure due to corrosion on models not corrosion-protected.
- Failure of the product resulting from modifications to the product or due to unreasonable use including failure to provide reasonable and necessary maintenance.
- Damage to the product caused by improper power supply voltage, accident, fire, floods or acts of God.
- In commercial locations, labor necessary to move the unit to a location where it is accessible for service by an individual technician.
- Incidental or consequential damage caused by possible defects with this air conditioner.
- Damage caused after delivery.

EXCLUSION OF IMPLIED WARRANTIES—Your sole and exclusive remedy is product repair as provided in this Limited Warranty. Any implied warranties, including the implied warranties of merchantability or fitness for a particular purpose, are limited to one year or the shortest period allowed by law.

This warranty is extended to the original purchaser and any succeeding owner for products purchased in Canada for home use within Canada. In-home warranty service will be provided in areas where it is available and deemed reasonable by Mabe to provide.

Some provinces do not allow the exclusion or limitation of incidental or consequential damages, so the above exclusion may not apply to you. This warranty gives you specific legal rights, and you may also have other rights which vary from province to province. To know what your legal rights are in your province, consult your local or provincial consumer affairs office.

**Warrantor: Mabe Canada Inc.,
Burlington, Ontario**

| | |
|---|--------|
| Consignes de sécurité | 20, 21 |
| Consignes d'utilisation | |
| Modèles dotés touches à effleurement | 22, 23 |
| Entretien et nettoyage | |
| Filtre à air | 24 |
| Serpentins extérieurs | 24 |
| Instructions de montage | 25–30 |
| Conseils de dépannage | |
| Bruits normaux de fonctionnement | 31 |
| Assistance à la clientèle | |
| Assistance à la clientèle | 36 |
| Garantie | 35 |
| Enregistrement du titre de propriété | 33, 34 |

AEM10*

AEM12*

AEQ10

AEQ12

* Produits homologués ENERGY STAR®



En tant que partenaire d'ENERGY STAR®, GE a déterminé que ce produit était conforme aux exigences d'efficacité énergétique d'ENERGY STAR®.

Inscrivez ici les numéros de modèle et de série :

Numéro de modèle : _____

Numéro de Série : _____

Vous trouverez ces numéros sur l'étiquette apposée sur le côté du climatiseur.

Au Canada, visitez-nous au :
www.electromenagersge.ca

| |
|----------------------------------|
| Consignes de sécurité |
| Consignes d'utilisation |
| Entretien et nettoyage |
| Instructions de montage |
| Conseils de dépannage |
| Assistance à la clientèle |

IMPORTANTES CONSIGNES DE SÉCURITÉ.

VEUILLEZ LIRE TOUTES LES CONSIGNES AVANT UTILISATION.

⚠ AVERTISSEMENT !

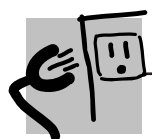
Pour votre sécurité, les informations contenues dans ce manuel doivent être suivies afin de minimiser les risques d'incendie, de chocs électriques ou de blessures corporelles.



CONSIGNES DE SÉCURITÉ

- N'utilisez cet appareil qu'aux fins prévues décrites dans le manuel d'utilisation.
 - Ce climatiseur doit être correctement installé conformément aux Instructions d'Installation avant toute utilisation.
 - Ne débranchez jamais votre climatiseur en tirant sur le cordon d'alimentation. Prenez toujours fermement la fiche en main et tirez pour la sortir de la prise.
 - Remplacez immédiatement tout cordon électrique usé ou endommagé. Un cordon d'alimentation endommagé doit être remplacé par un nouveau cordon d'alimentation obtenu du fabricant. Ne réparez pas le cordon endommagé. N'utilisez pas un cordon fissuré ou présentant des dommages dus aux frottements soit sur sa longueur ou aux extrémités du côté de la fiche ou du raccord.
 - Eteignez votre climatiseur et débranchez-le avant d'effectuer des réparations ou de le nettoyer.
- REMARQUE :** Nous vous recommandons de faire effectuer la maintenance par un technicien qualifié.
- Pour votre sécurité, ne stockez pas et n'utilisez pas de matériaux combustibles, d'essence ou d'autres vapeurs et liquides inflammables dans les parages de cet appareil ou de tout autre appareil.
 - Tous les climatiseurs contiennent des fluides frigorigènes qui, conformément, à la législation fédérale doivent être retirés avant la mise au rebut de l'appareil. Si vous mettez au rebus un ancien appareil contenant des fluides frigorigènes, vérifiez la procédure à suivre auprès de la compagnie responsable de l'élimination.
 - Si la prise de courant est d'un format différent de la fiche, cette prise doit être changée par un électricien qualifié.

BRANCHEMENTS ÉLECTRIQUES



Ne coupez pas ou n'enlevez pas, sous aucun prétexte, la troisième broche de mise à la terre du cordon d'alimentation. Pour des raisons de sécurité, cet appareil doit être correctement mis à la terre.

N'utilisez PAS d'adaptateur avec cet appareil.

Le cordon d'alimentation de cet appareil est équipé d'une fiche à trois broches (pour une mise à la terre) qui s'adapte à la prise de courant standard à 3 broches (pour une mise à la terre) pour minimiser les risques de chocs électriques par cet appareil.

Le cordon d'alimentation est équipé d'un dispositif d'interruption du courant. Un bouton d'essai et de réenclenchement est fourni sur le boîtier de la prise. Vous devez tester le mécanisme régulièrement en appuyant d'abord sur le bouton **TEST** (essai) puis sur le bouton **RESET** (réenclenchement) lorsque l'appareil est branché. Si le bouton **TEST** (essai) ne bascule pas ou si le bouton **RESET** (réenclenchement) ne reste pas enclenché, cessez d'utiliser votre climatiseur et appelez un technicien de service qualifié.

Faites vérifier la prise murale et le circuit électrique par un électricien qualifié pour s'assurer que le système est correctement mis à la terre.

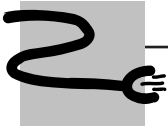
Dans le cas d'une prise biphasée, l'installateur a la responsabilité et l'obligation de la remplacer par une prise triphasée correctement mise à la terre.

Le climatiseur doit toujours être branché à sa propre prise électrique d'une tension nominale correspondant à celle indiquée sur sa plaque signalétique.

Ceci permet d'obtenir un meilleur rendement du climatiseur et évite de surcharger les circuits électriques du domicile qui risque d'occasionner un incendie en surchauffant.

Consultez les Consignes d'Installations, dans la section *Exigences Electriques* pour les exigences de branchements électriques particuliers.

⚠ AVERTISSEMENT !



UTILISATION DE RALLONGES—modèles à 115 Volts uniquement

Nous déconseillons fortement l'utilisation d'une rallonge à cause des risques potentiels dans certaines conditions.

Cependant, si l'utilisation d'une rallonge est nécessaire, cette dernière doit obligatoirement être homologuée UL, de calibre 14, à trois brins avec mise à la terre pour appareil électroménager et doit être équipée d'une fiche et d'une prise femelle avec terre. Les caractéristiques électriques de la rallonge doivent être de 15 ampères (minimum) et de 125 volts.

⚠ MISE EN GARDE :

N'UTILISEZ PAS de rallonge avec un modèle à 230/208 Volts.



**LISEZ ET SUIVEZ SOIGNEUSEMENT CES CONSIGNES DE SÉCURITÉ.
CONSERVEZ CES INSTRUCTIONS**

Consignes
de sécurité

Consignes
d'utilisation

Entretien et
nettoyage

Instructions
de montage

Conseils de
dépannage

Assistance à
la clientèle

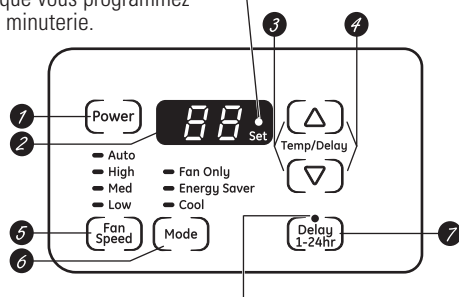
A propos des commandes du climatiseur— modèles dotés de touches à effleurement.

Les fonctions et l'aspect peuvent varier.

Les témoins lumineux à côté des touches à effleurement sur le tableau de commandes du climatiseur indiquent les réglages sélectionnés.

L'écran affiche toujours la température de la pièce sauf lorsque vous programmez la température ou la minuterie.

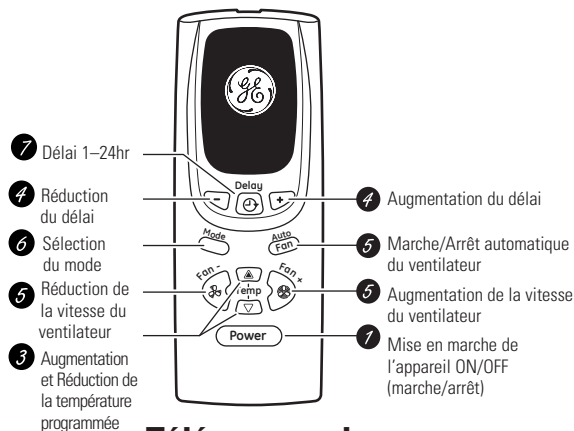
Le témoin indique que l'appareil est en mode Programmation de la température ou du délai.



Commandes du Climatiseur

Commandes

- 1 Touche d'alimentation**
Met le climatiseur en position de marche ou d'arrêt. L'écran affiche la température de la pièce lorsque l'appareil est mis en marche.
- 2 Affichage**
Affiche la température de la pièce ou le temps restant avant la mise en marche ou l'arrêt de l'appareil. Affiche la température de réglage lors de la programmation de la température pour les modes **Cool** (refroidissement) ou **Energy Saver** (économie d'énergie). Le témoin lumineux **Set** (programmé) s'allume lors du réglage.
REMARQUE : L'écran affichera la température de la pièce à la fin des réglages. Pour rappeler la température réglée, appuyez sur les touches **Temp Increase** (augmentation température) ▲ ou **Decrease** (réduction de la température) ▼.
- 3 Touches Temp Increase (Augmentation température) ▲ / Decrease (Réduction de la température) ▼**
Sont utilisées pour programmer la température dans les modes **Cool** ou **Energy Saver**. Le témoin lumineux **Set** s'allume lors du réglage.
- 4 Touches Delay Timer Increase (Augmentation du délai) ▲ (+) / Decrease (Diminution du délai) ▼ (-)**
Chaque fois que vous effleurez les touches **Increase ▲ / Decrease ▼** sur l'appareil ou les touches **Increase + / Decrease -** de la télécommande, vous programmez la durée du délai lors de l'utilisation de la minuterie **Delay 1-24hr** (délai de 1-24h) ⌚. Le témoin lumineux **Set** s'allume lors du réglage.
- 5 Touches de vitesse du ventilateur**
Sont utilisées pour régler la vitesse du ventilateur de l'appareil sur **Low** (faible), **Med** (moyenne), **High** (élevée) ou **Auto** (automatique).
REMARQUE : Sur la télécommande, utilisez les touches **Increase + / Decrease -** pour régler la



Télécommande

- 1** Délay 1-24hr
 - 4** Réduction du délai
 - 6** Sélection du mode
 - 5** Réduction de la vitesse du ventilateur
 - 3** Augmentation et Réduction de la température programmée
 - 7** Augmentation du délai
 - 5** Marche/Arrêt automatique du ventilateur
 - 5** Augmentation de la vitesse du ventilateur
 - 7** Mise en marche de l'appareil ON/OFF (marche/arrêt)
- vitesse du ventilateur sur **Low**, **Med**, ou **High**. Utilisez la touche **Auto** pour allumer le ventilateur en mode **Auto**.
- 6 Touche Mode**
Est utilisée pour programmer le climatiseur sur les modes **Cool**, **Energy Saver** ou **Fan Only** (ventilateur uniquement).
- 7 Touches de Délai**
Delay ON (délai de mise en marche)—Lorsque le climatiseur est éteint, il peut être programmé pour démarrer automatiquement dans un délai de 1 à 24 heures à ses réglages précédents (mode, vitesse du ventilateur).
Delay OFF (délai d'arrêt)—Lorsque le climatiseur est en fonctionnement, il peut être programmé pour s'arrêter automatiquement dans un délai de 1 à 24 heures.
Comment le programmer :
Appuyez sur la touche **Delay 1-24hr** (Délai de 1 à 24 heures) de l'appareil ou sur la touche ⌚ de la télécommande. Chaque fois que vous effleurez les touches **Increase ▲ / Decrease ▼** sur l'appareil ou les touches **Increase + / Decrease -** de la télécommande, vous programmez la durée du délai par intervalle de 1 heure. Le témoin lumineux **Set** s'allume lors du réglage.
Pour connaître le temps restant sur la minuterie **Delay 1-24hr**, appuyez sur la touche **Delay 1-24hr** de l'appareil ou sur la touche ⌚ de la télécommande. Utilisez les touches **Increase ▲ / Decrease ▼** sur l'appareil ou les touches **Increase + / Decrease -** de la télécommande pour programmer un nouveau délai si nécessaire.
Pour annuler la minuterie, appuyez sur la touche **Delay 1-24hr** jusqu'à ce que le voyant lumineux sur la touche **Delay 1-24hr** s'éteigne.

Fonction de conservation des réglages après une coupure de courant

En cas de panne ou d'interruption de courant, l'appareil redémarre automatiquement après rétablissement de l'alimentation électrique et conserve les derniers réglages utilisés. Si la fonction **Delay 1-24hr**

(Délai de 1 à 24 heures) était utilisée, l'appareil reprend son compte à rebours. Vous aurez peut-être besoin de programmer une nouvelle heure.

Mode Cool (refroidissement)

Utilisez le mode **Cool** (refroidissement) avec la vitesse du ventilateur sur **Low** (faible), **Med** (moyenne), **High** (élevée) ou **Auto** (automatique) pour refroidir. Appuyez sur les touches Temperature **Increase** (augmentation de la température) ▲ / **Decrease** (diminution de la température) ▼ pour programmer la température souhaitée entre 18 °C et 30 °C (64 et 86 °F) par incréments de 0,5 °C (1 °F).

Un thermostat électronique permet de maintenir la température de la pièce. Le compresseur se met en marche et s'arrête à intervalles réguliers pour maintenir la température de la pièce à un niveau de confort choisi. Réglez le thermostat à une valeur plus basse et l'air ambiant se refroidira. Réglez le thermostat à une valeur plus élevée et l'air ambiant se réchauffera.

REMARQUE : Si le climatiseur éteint est allumé alors qu'il est programmé sur un réglage **Cool** ou si vous passez d'un mode **Ventilation** à un mode de **Refroidissement**, il faudra environ 3 minutes pour que le compresseur se remette en marche et recommence à refroidir.

Descriptions du Refroidissement

Pour un Refroidissement Normal — Sélectionnez le mode **Cool** avec la vitesse du ventilateur sur **Med** ou **High** et un réglage à une température moyenne.

Pour un Refroidissement Maximal — Sélectionnez le mode **Cool** avec la vitesse du ventilateur sur **High** et un réglage à une température plus basse.

Pour un Refroidissement plus Silencieux ou Durant la Nuit — Sélectionnez le mode **Cool** avec la vitesse du ventilateur sur **Low** et un réglage à une température moyenne.

Ne faites pas fonctionner votre appareil lorsque les températures extérieures sont en dessous de 0°C (32°F). Ce climatiseur Froid Seul n'est pas conçu pour fonctionner avec des températures extérieures en dessous de 0°C (32°F). Il ne doit pas être utilisé lorsque les températures extérieures sont en dessous de 0°C (32°F).

Mode Energy Saver (économie d'énergie)

Contrôle le ventilateur.

ON (activé) — Le ventilateur se met en marche et s'arrête en même temps que le compresseur. Ceci permet une plus grande variation de la température et du taux d'humidité dans la pièce. Est en général utilisé lorsque la pièce est inoccupée.

REMARQUE : Le ventilateur peut continuer à fonctionner quelques instants après que le compresseur se soit arrêté.

OFF (désactivé) — Le ventilateur fonctionne en continu, alors que le compresseur se met en marche et s'arrête à intervalles réguliers.

Mode Fan Only (ventilateur uniquement)

Utilisez le mode **Fan Only** avec une vitesse de ventilateur réglée sur **Low**, **Med** ou **High** pour faire circuler l'air et le filtrer sans le refroidir. Étant donné que le mode **Fan Only** ne permet pas de refroidissement, le réglage de la température n'affiche pas. La température de la pièce s'affiche à l'écran.

REMARQUE : La vitesse de ventilateur auto ne peut être utilisée lorsque le climatiseur est sur le mode **Fan Only**.

Auto Fan Speed (vitesse du ventilateur auto)

Réglez la vitesse du ventilateur sur **Auto** pour que la vitesse du ventilateur se règle automatiquement à la vitesse nécessaire à l'obtention des réglages apportant un niveau de confort optimal à la température programmée. Si la pièce demande un refroidissement supplémentaire,

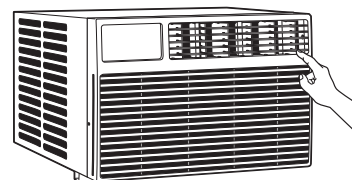
la vitesse du ventilateur augmente automatiquement. Si la pièce demande moins de refroidissement, la vitesse du ventilateur diminue automatiquement.

REMARQUE : La vitesse de ventilateur auto ne peut être utilisée lorsque le climatiseur est sur le mode **Fan Only**.

Direction de l'Air

Utilisez les leviers pour régler la direction de l'air vers la gauche ou vers la droite.

Vous pouvez régler la direction de l'air vers le haut ou vers le bas en appuyant légèrement avec le bout des doigts sur les persiennes.



L'aspect peut varier.

Télécommande

- Pour vous assurer d'un fonctionnement correct, pointez la télécommande vers le récepteur de signal du climatiseur.
- Le rayon d'action de la télécommande s'étend jusqu'à 6,4 m (20 pieds).

- Assurez-vous qu'aucun obstacle pouvant bloquer le signal ne se trouve entre le climatiseur et la télécommande.

- Assurez-vous que les piles sont récentes et correctement installées dans la télécommande.

Entretien et nettoyage du climatiseur.

Consignes de sécurité

Consignes d'utilisation

Entretien et nettoyage

Instructions de montage

Conseils de dépannage

Assistance à la clientèle

Grille et Boîtier

Eteignez et débranchez le climatiseur avant tout nettoyage.

Pour le nettoyer, utilisez de l'eau et un détergent doux. N'utilisez pas d'eau de Javel ou de nettoyeurs abrasifs.

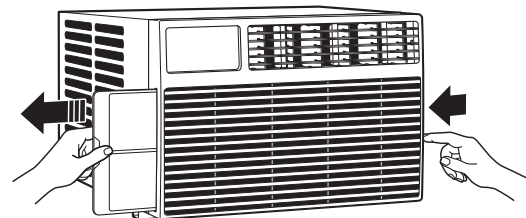
Filtre à Air

Le filtre à air derrière la grille frontale doit être vérifié et nettoyé au bout de 30 jours de fonctionnement ou plus souvent si nécessaire.

Pour retirer le filtre :

Poussez sur les bords du filtre et tirez-le de l'autre côté.

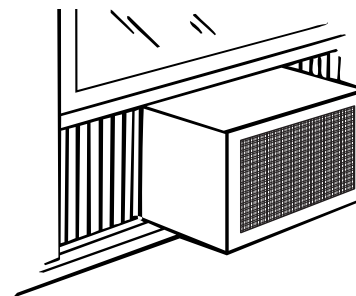
Nettoyez le filtre avec de l'eau savonneuse tiède. Rincez le filtre et laissez-le sécher avant de le remettre dans le climatiseur. Ne nettoyez pas votre filtre au lave-vaisselle.



▲ MISE EN GARDE : NE faites PAS fonctionner le climatiseur sans le filtre sous peine de le boucher avec de la poussière et de la charpie et de réduire son efficacité.

Serpentins Extérieurs

Les serpentins situés du côté extérieur du climatiseur doivent être régulièrement vérifiés. S'ils sont obstrués par des poussières ou de la suie, il est possible de les faire nettoyer par des professionnels.



Comment Insérer les Piles dans la Télécommande

- 1 Retirez le couvercle du logement des piles en le faisant glisser dans le sens indiqué par la flèche.
- 2 Insérez les nouvelles piles en vous assurant que les pôles (+) et (-) de la pile sont orientés dans la bonne direction.
- 3 Remettez le couvercle en le faisant glisser.

REMARQUES :

- Utilisez 2 piles alcalines AAA d'1,5 Volt. N'utilisez pas de piles rechargeables.
- Retirez les piles de la télécommande si vous prévoyez de ne pas utiliser votre climatiseur pendant un certain temps.

Instructions de montage

Climatiseur

? Questions? Composez le 1.800.361.3400 ou visitez notre site web à : www.electromenagersge.ca



AVANT DE COMMENCER

Lisez ces instructions entièrement et attentivement.

- **IMPORTANT** — Conservez ces instructions pour l'inspecteur électrique local.
- **IMPORTANT** — Respectez tous les codes et règlements en vigueur.
- **Remarque pour l'installateur** – Assurez-vous de remettre ces instructions au client.
- **Remarque pour le client** – Conservez ces instructions pour toute référence future.
- **Niveau de compétence** – L'installation de cet appareil demande des connaissances de base en mécanique.
- **Délai d'exécution** – Environ 1 heure
- Nous recommandons que l'installation de ce produit soit effectuée par deux personnes.
- L'installateur est responsable de l'installation correcte de l'appareil.
- La panne de l'appareil due à une mauvaise installation n'est pas couverte par la garantie.
- Vous **DEVEZ** utiliser toutes les pièces fournies et suivre les procédures correctes d'installation décrites dans cette notice ainsi que toutes les instructions concernant certaines pièces séparées lors de l'installation de ce climatiseur.



EXIGENCES ÉLECTRIQUES



Certains modèles nécessitent une prise mise à la terre de 115/120 Volts AC, 60 Hz, protégée par un fusible à action différée ou par un disjoncteur.

La fiche triphasée avec terre réduit le risque de choc électrique. Si la prise murale que vous envisagez d'utiliser est biphasée, vous avez la responsabilité et l'obligation de la remplacer par une prise triphasée correctement mise à la terre.



Certains modèles nécessitent une prise mise à la terre de 230/208 Volts AC, protégée par un fusible à action différée ou par un disjoncteur. Ces modèles doivent être installés sur leur propre circuit dérivé pour éviter de surcharger les circuits électriques du domicile qui peut occasionner un risque d'incendie par surchauffe des câbles.



▲ MISE EN GARDE :

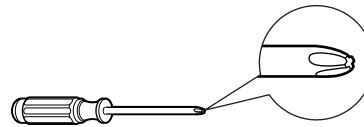
Ne coupez pas ou n'enlevez pas, sous aucun prétexte, la troisième broche de mise à la terre du cordon d'alimentation.

Ne changez pas la fiche du cordon d'alimentation du climatiseur.

Un câblage en aluminium du domicile peut occasionner des problèmes particuliers—consultez un électricien qualifié.

Si les boulons de maintien au rebord ne font pas contact avec le rebord de la fenêtre, ou si vous avez une fenêtre sans rebord, vous devez commander le jeu d'accessoires RAK87 pour installer correctement ce climatiseur. Appelez le 800.626.2002 ou consultez le site Internet www.electromenagersge.ca

OUTILLAGE NÉCESSAIRES



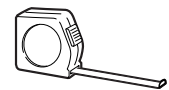
Tournevis cruciforme Phillips



Clé à molette



Tournevis à tête plate



Règle ou mètre



Crayon



Niveau

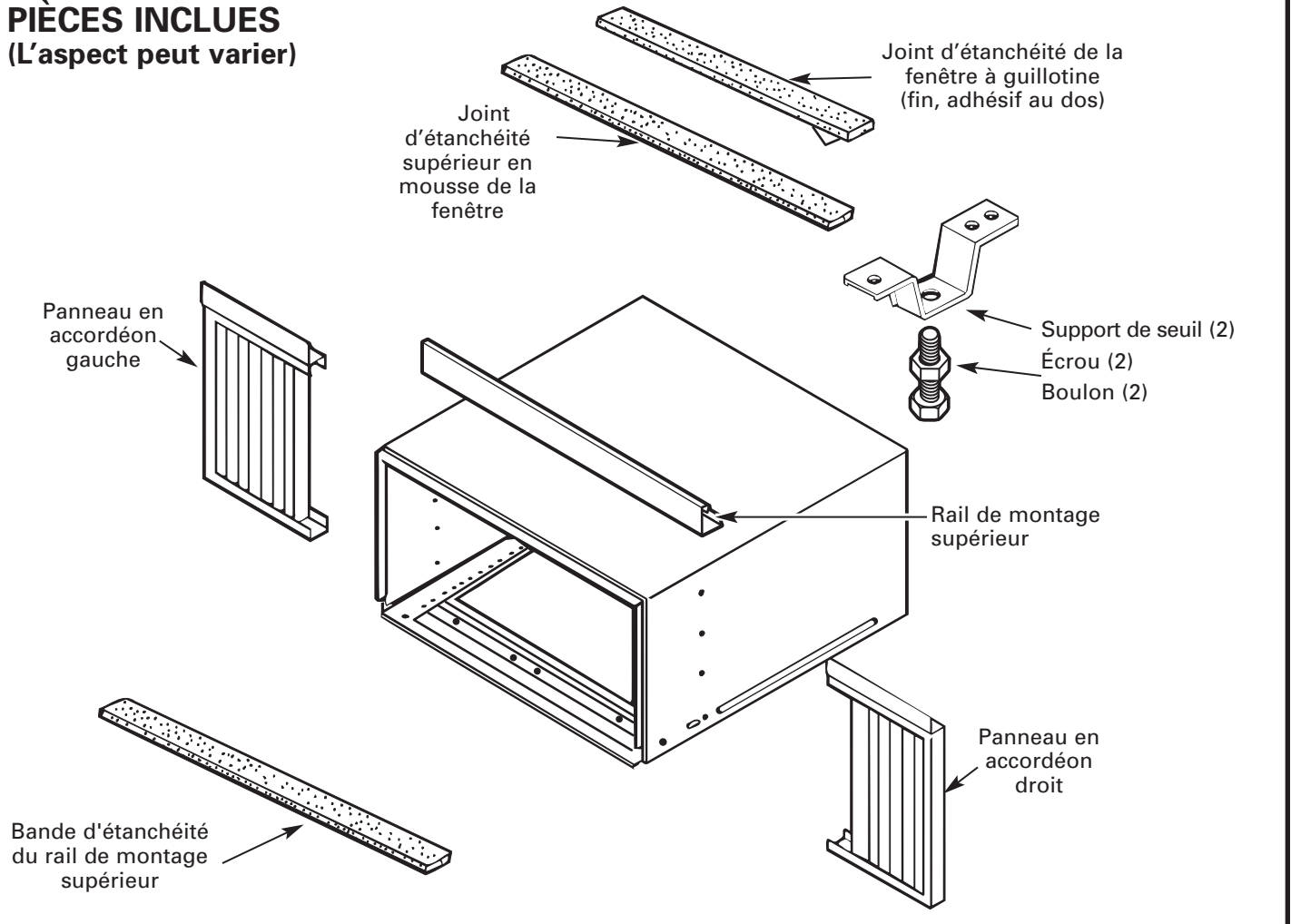


Ciseaux ou couteau

Le cordon d'alimentation est équipé d'un dispositif d'interruption du courant. Un bouton d'essai et de réenclenchement est fourni sur le boîtier de la prise. Vous devez tester le mécanisme régulièrement en appuyant d'abord sur le bouton **TEST** (essai) puis sur le bouton **RESET** (Réenclenchement) lorsque l'appareil est branché. Si le bouton **TEST** (essai) ne bascule pas ou si le bouton **RESET** (réenclenchement) ne reste pas enclenché, cessez d'utiliser votre climatiseur et appelez un technicien de service qualifié.

Instructions de montage

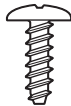
PIÈCES INCLUES (L'aspect peut varier)



Type A (6)



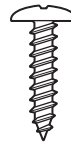
Type B (7)



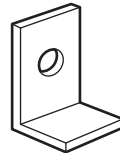
Type C (6)



Type D (3)



Ferrure de verrouillage de la fenêtre (2)



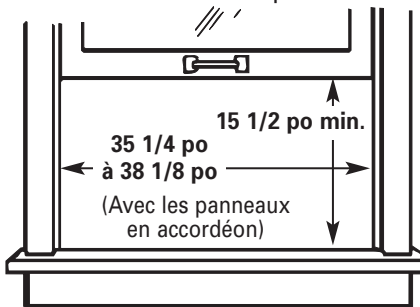
Instructions de montage

1 INSTRUCTION RELATIVE À LA FENÊTRE

- Ces instructions sont valables pour une fenêtre standard à guillotine à deux châssis mobiles. Vous devrez modifier les instructions pour les autres types de fenêtres.

⚠ MISE EN GARDE: Si les boulons de maintien au rebord ne font pas contact avec le rebord de la fenêtre, ou si vous avez une fenêtre sans rebord, vous devez commander le jeu d'accessoires RAK87 pour installer correctement ce climatiseur. Appelez le 800.626.2002 ou consultez le site Internet ge.com.

- Le climatiseur peut être installé sans les panneaux en accordéons si la fenêtre est étroite. Référez-vous aux dimensions de la fenêtre indiquées dans le croquis à droite.
- Toute la ferrure de montage doit être solidement fixée au bois, à la maçonnerie ou au métal.
- La prise d'alimentation électrique doit se trouver à portée du cordon d'alimentation.
- Suivez les dimensions indiquées pour votre modèle dans le tableau et sur le croquis.



2 INSTRUCTIONS RELATIVE À LA CONTRE-FENÊTRE

Le cadre de la contre-fenêtre empêche le climatiseur de pencher vers l'extérieur, et donc de se drainer correctement. Pour régler ce problème, fixez un morceau de bois au rebord de la fenêtre.

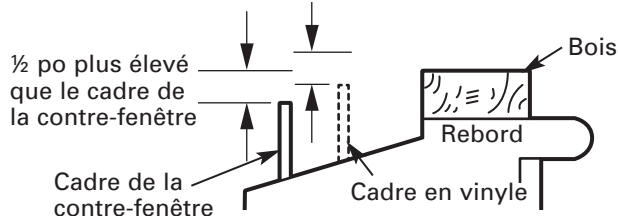
MORCEAU DE BOIS

LARGEUR : 2 po

LONGUEUR : Suffisamment long pour se loger à l'intérieur du cadre de la fenêtre.

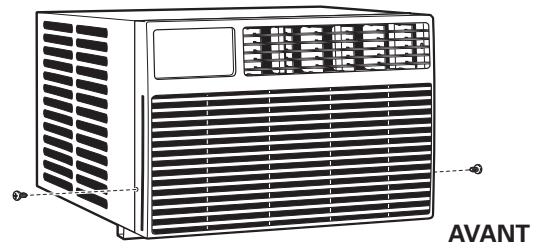
ÉPAISSEUR : Pour déterminer l'épaisseur, placez un morceau de bois sur le rebord de la fenêtre de façon à ce que le morceau de bois soit 1/2 po plus élevé que le dessus du cadre de la contre-fenêtre ou du cadre en vinyle.

Fixez solidement à l'aide de vis ou de clous fournis par l'installateur. 1/2 po plus élevé que le cadre en vinyle (sur certaines fenêtres)



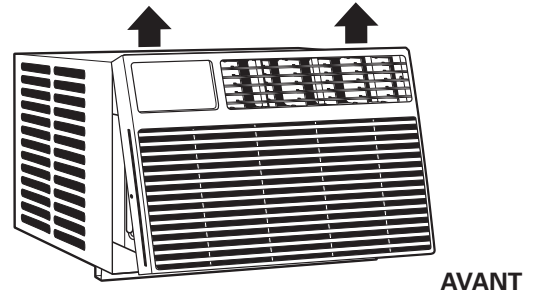
3 RETRAIT DU CLIMATISEUR DE SON LOGEMENT

- A** Retirez et mettez de côté les deux vis des côtés inférieurs de la grille frontale.

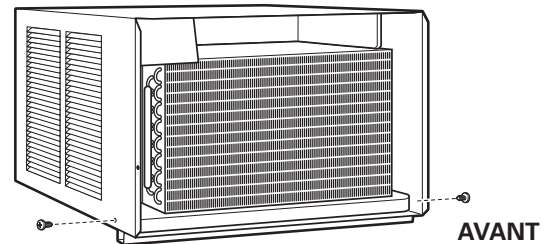


- B** Attrapez les deux coins inférieurs de la grille tout en appuyant sur les côtés du logement avec le bout des doigts. Tirez vers vous pour libérer la grille puis sortez-la en levant.

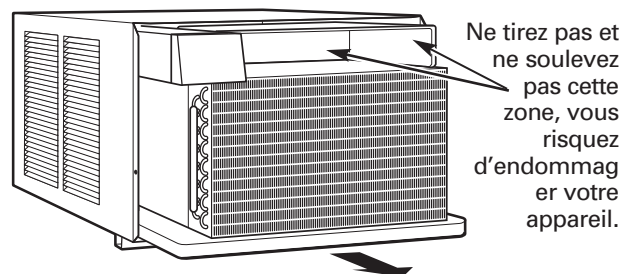
REMARQUE : Ne tirez pas le bord inférieur vers vous de plus de 3 po ou vous risquez d'endommager les languettes de la grille.



- C** Retirez les vis de mise à la terre de chaque côté du logement du climatiseur. Mettez-les dans un endroit sûr.



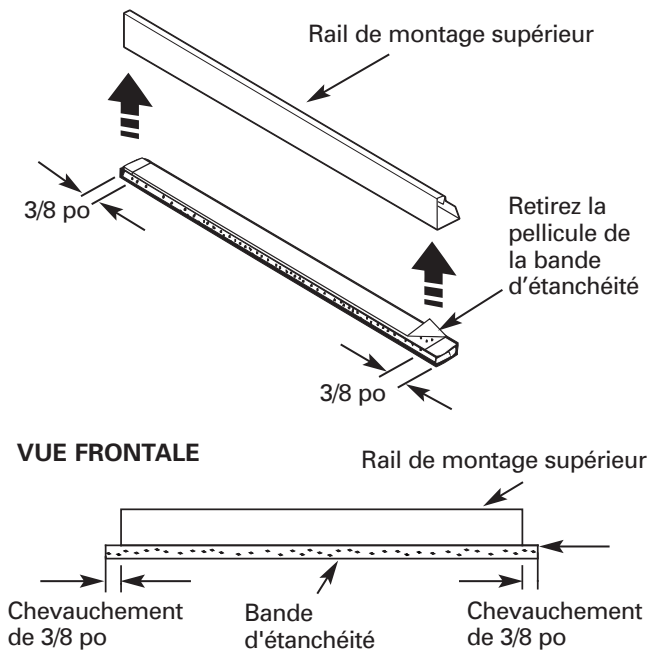
- D** Sortez le climatiseur de son logement en le faisant glisser et en attrapant la poignée du conteneur de fond et en tirant vers vous tout en maintenant le logement. Ne tirez pas et ne soulevez pas la zone d'évacuation en mousse de polystyrène.



Instructions de montage

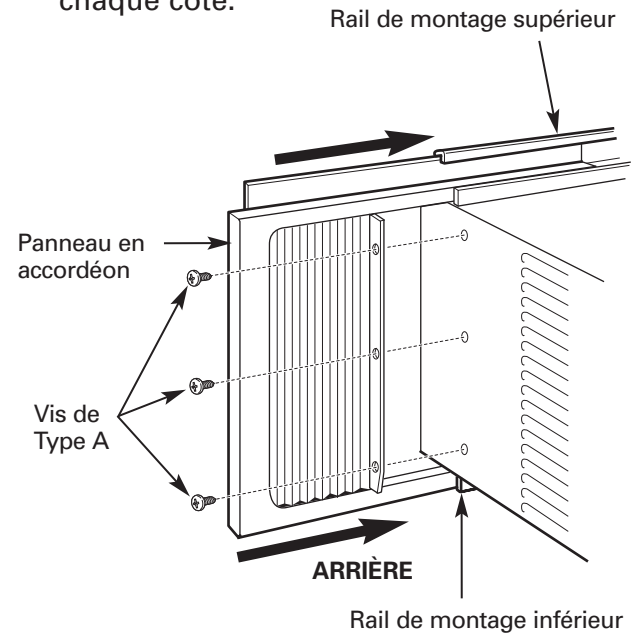
4 FIXATION DE LA BANDE D'ÉTANCHÉITÉ DU RAIL DE MONTAGE SUPÉRIEUR

Retirez la pellicule de la bande d'étanchéité du rail de montage supérieur et apposez cette bande d'étanchéité sur le bas du rail de montage supérieur, le long du bord avant. Laissez un chevauchement de 3/8 po à chaque extrémité.



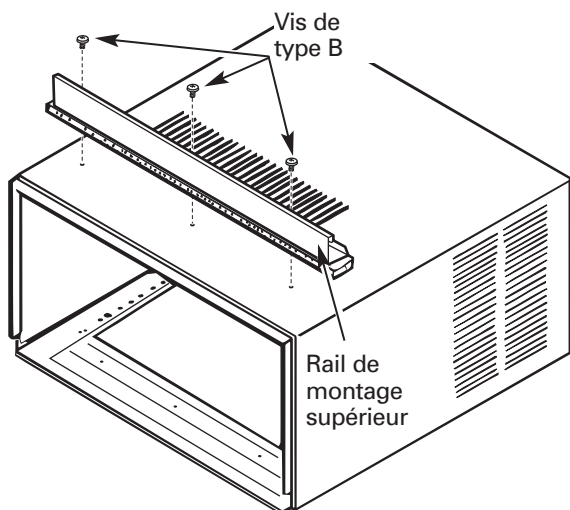
6 INSTALLATION DES PANNEAUX EN ACCORDÉON SUR LES CÔTÉS

- A Faites glisser les panneaux en accordéon gauche et droit dans les rails de montage inférieur et supérieur.
- B Fixez les panneaux en accordéon au boîtier à l'aide de 3 vis de type A de chaque côté.



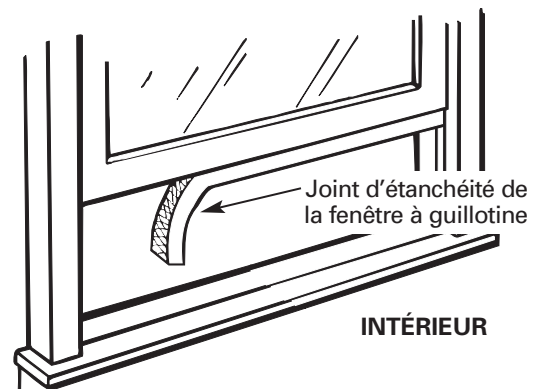
5 INSTALLATION DU RAIL DE MONTAGE SUPÉRIEUR SUR LE LOGEMENT

Fixez le rail de montage supérieur sur le logement à l'aide de 3 vis de type B.



7 PRÉPARATION DE LA FENÊTRE

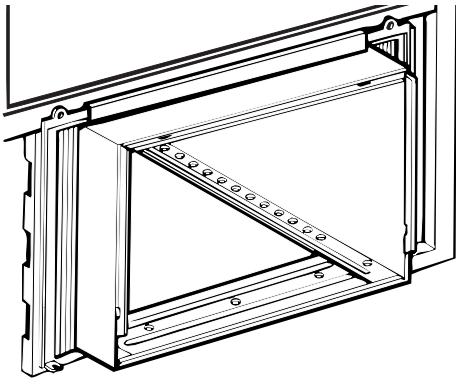
- Découpez le joint de la fenêtre à guillotine à la largeur de la fenêtre et collez le côté adhésif sur le bas du cadre.



Instructions de montage

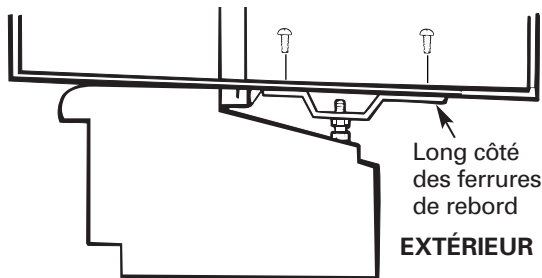
8 INSTALLATION DU LOGEMENT DANS LA FENÊTRE

- A** Ouvrez la fenêtre et marquez l'axe central du rebord de la fenêtre.
- B** Placez soigneusement le logement sur le rebord intérieur de la fenêtre et alignez la marque au centre avec l'axe central du rebord de la fenêtre.
- C** Tirez la fenêtre vers le bas derrière le rail de montage supérieur.



REMARQUE : Ne fermez pas la fenêtre complètement pour éviter que le mouvement des panneaux en accordéon soit restreint.

- D** Choisissez la position qui placera les ferrures du rebord sur le point le plus externe du rebord. Placez les côtés courts des ferrures du rebord sur le bas du logement vers la fenêtre. Fixez les ferrures du rebord aux trous dans les rails du logement en accord avec la position choisie en utilisant 2 vis de type B par ferrure.

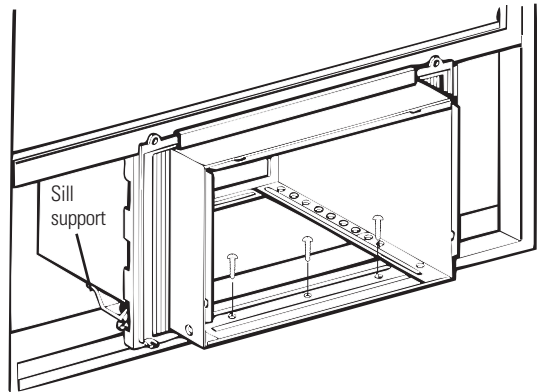


- E** Ajustez le boulon et l'écrou sur chaque ferrure de façon à ce que le logement soit légèrement incliné vers l'extérieur. Utilisez un niveau, environ 1/2 de bulle donnera la pente correcte vers l'extérieur.

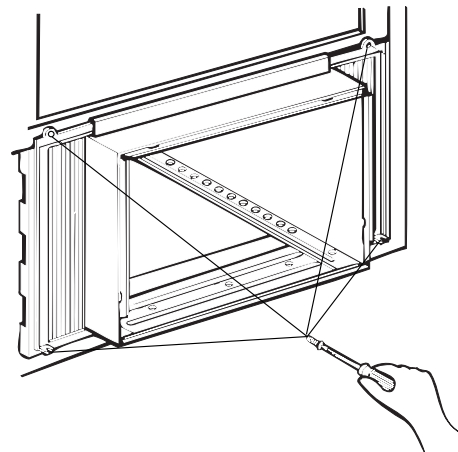
⚠ MISE EN GARDE: Si les boulons de maintien au rebord ne font pas contact avec le rebord de la fenêtre, ou si vous avez une fenêtre sans rebord, vous devez commander le jeu d'accessoires RAK87 pour installer correctement ce climatiseur. Appelez le 800.626.2002 ou consultez le site Internet ge.com.

8 INSTALLATION DU LOGEMENT DANS LA FENÊTRE (SUITE)

- F** Attachez le logement au rebord de la fenêtre en utilisant 3 vis de type D.



- G** Tirez les panneaux en accordéon vers chaque rail de la fenêtre à guillotine. Fixez-les de chaque côté du cadre et du rebord de la fenêtre à l'aide de 4 vis de type C.

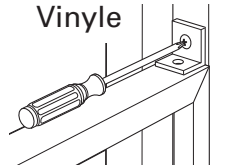


Instructions de montage

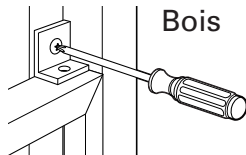
9 INSTALLATION D'UNE FERRURE DE SUPPORT ET DU JOINT D'ÉTANCHÉITÉ SUPÉRIEUR EN MOUSSE DE LA FENÊTRE

A **⚠ MISE EN GARDE :**

Pour prévenir la verre brisé dans les fenêtres, attachez une ferrure de support à la côté du fenêtre.

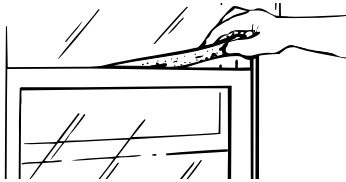


Fixez la ferrure de support à l'aide d'une vis de type C.



B Découpez le joint d'étanchéité supérieur en mousse à la largeur de la fenêtre.

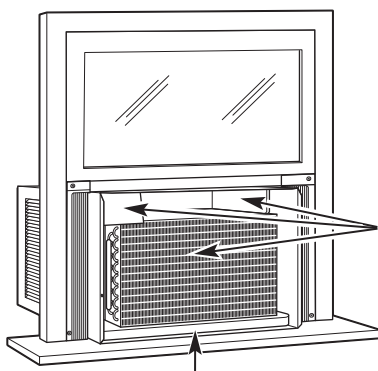
C Insérez la mousse entre la vitre et la fenêtre pour empêcher l'air et les insectes de pénétrer dans la pièce.



NOTE : Si le joint d'étanchéité fourni ne s'adapte pas à votre fenêtre, procurez-vous localement l'article approprié afin d'obtenir une étanchéité adéquate de l'installation.

10 INSTALLATION DU CLIMATISEUR DANS SON LOGEMENT

A Faites glisser le climatiseur dans le logement par le conteneur du fond. Ne poussez pas sur les commandes, sur le boîtier en mousse de polystyrène pour la sortie d'air ni sur les serpentins à ailettes. Assurez-vous que le climatiseur est correctement positionné.



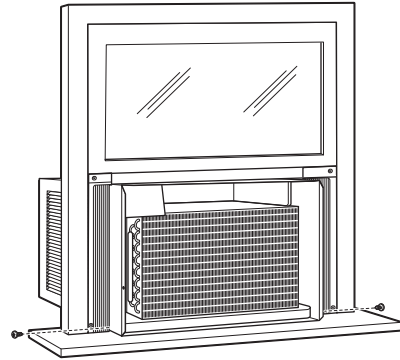
Conteneur du fond

N'appuyez pas sur ces zones, vous pourriez endommager votre appareil.

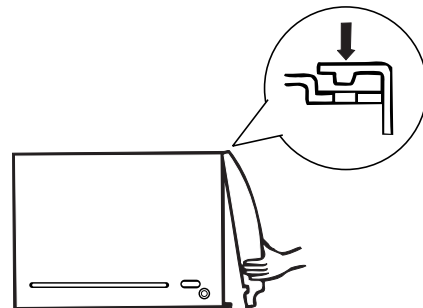
10 INSTALLATION DU CLIMATISEUR DANS SON LOGEMENT (SUITE)

B Remettez en place les deux vis de mise à la terre retirées plus tôt, une de chaque côté.

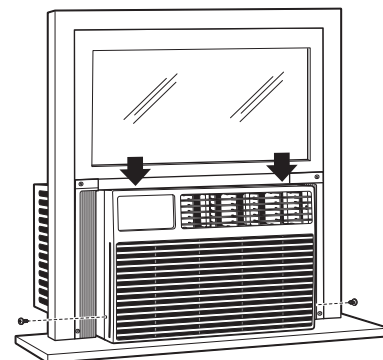
IMPORTANT : Les vis de mise à la terre doivent être remises en place pour garantir une mise à la terre adéquate.



C Fixez la grille frontale en insérant les languettes de la grille dans les fentes situées dans la partie supérieure avant du logement. Poussez sur la grille.



D Attachez la grille frontale au logement en remettant en place les 2 vis retirées auparavant. Appuyez sur le dessus de la grille pour permettre la mise en place des vis de côté.



E Branchez l'alimentation.

Avant d'appeler le service . . .

| Problème | Causes possibles | Que faire |
|--|---|---|
| Le climatiseur ne se met pas en marche | Le climatiseur est débranché. | <ul style="list-style-type: none"> Assurez-vous que la fiche du climatiseur soit bien branchée dans la prise murale. |
| | Le fusible a sauté/ le disjoncteur est ouvert. | <ul style="list-style-type: none"> Vérifiez la boîte à fusible/à disjoncteurs et remplacez le fusible ou rebranchez le disjoncteur. |
| | Il y a une panne de courant. | <ul style="list-style-type: none"> S'il se produit une panne de courant, débranchez le climatiseur en le mettant en position OFF (arrêt). Quand le courant revient, attendez 3 minutes avant de remettre en marche le climatiseur, pour éviter de déclencher la surcharge du compresseur. |
| | Le mécanisme d'interruption de courant est déclenché. | <ul style="list-style-type: none"> Appuyez sur le bouton RESET (remise en marche) situé sur la fiche du cordon électrique. Si le bouton RESET ne reste pas enfoncé, arrêtez le climatiseur d'air et appelez un technicien qualifié. |
| Le climatiseur ne refroidit pas autant qu'il le devrait | La circulation d'air est bloquée. | <ul style="list-style-type: none"> Assurez-vous qu'il n'y a pas de rideau, de store ou de meuble qui bloque le devant du climatiseur. |
| | Le contrôle de température n'est pas bien réglé. | <ul style="list-style-type: none"> En mode COOL (frais) appuyez sur la touche DECREASE ▼ pad. Sur les modèles dotés de boutons de commandes, tournez le bouton de température sur une valeur plus élevée. |
| | Le filtre à air est sale. | <ul style="list-style-type: none"> Nettoyez le filtre au moins tous les 30 jours. Consulter la section <i>Instructions de fonctionnement</i>. |
| | La chambre était chaude. | <ul style="list-style-type: none"> Après avoir mis en marche le climatiseur, attendez que la chambre se refroidisse. |
| | L'air froid s'échappe de la chambre. | <ul style="list-style-type: none"> Vérifiez les grilles à registre de plancher et les reprises d'air froid. |
| | Les serpentins sont gelés. | <ul style="list-style-type: none"> Consultez "Le climatiseur d'air gèle" ci-dessous. |
| Le climatiseur gèle | La glace bloque la circulation d'air et empêche le climatiseur de refroidir la chambre. | <ul style="list-style-type: none"> Sur les modèles dotés de boutons de commande, réglez le mode sur High Fan (vitesse du ventilateur élevée) ou High Cool (fort refroidissement) avec la température réglée sur 1 ou 2. Sur les modèles dotés de touches à effleurement, réglez les commandes sur High Fan (vitesse du ventilateur élevée) ou High Cool (fort refroidissement) et réglez le thermostat sur une température plus élevée. |
| La télécommande ne fonctionne pas | Les piles ne sont pas insérées correctement. | <ul style="list-style-type: none"> Vérifiez la position des piles. Elles doivent être insérées de façon à ce que les pôles (+) et (-) de la pile soient orientés dans des directions opposées. |
| | Les piles sont peut-être déchargées. | <ul style="list-style-type: none"> Remplacer les piles. |
| De l'eau coule à l'extérieur | Il fait très chaud et humide. | <ul style="list-style-type: none"> C'est normal. |
| De l'eau coule à l'intérieur | Le climatiseur n'est pas incliné vers l'extérieur. | <ul style="list-style-type: none"> Pour obtenir une bonne évacuation de l'eau, assurez-vous que le climatiseur soit légèrement incliné de l'avant du boîtier vers l'arrière. |
| L'eau s'accumule dans le plateau du fond | L'humidité est extraite de l'air de la chambre et passe dans le plateau du fond. | <ul style="list-style-type: none"> C'est normal pendant une période courte dans des régions peu humides; normal pendant des périodes plus longues dans des régions très humides. |

Bruits normaux de fonctionnement

- Vous pouvez entendre un cliquetis dû à de l'eau qui est absorbée et est projetée contre le condensateur les jours de pluie où quand il y a beaucoup d'humidité. Cette caractéristique diminue l'humidité et améliore le rendement.
- Vous pouvez entendre le claquement du thermostat quand le compresseur se met en marche et s'arrête.
- De l'eau s'accumule dans le plateau du bas pendant les périodes de grande humidité ou s'il pleut. Cette eau peut déborder et couler de l'appareil du côté extérieur.
- Le ventilateur peut tourner même quand le compresseur ne fonctionne pas.

Notes.

**Assistance à
la clientèle**

**Conseils de
dépannage**

**Instructions
de montage**

**Entretien et
nettoyage**

**Consignes
d'utilisation**

**Consignes
de sécurité**

Please place in envelope and mail to:
Veuillez mettre dans une enveloppe et envoyez à :

**OWNERSHIP REGISTRATION
P.O. BOX 1780
MISSISSAUGA, ONTARIO
L4Y 4G1**

(FOR CANADIAN CONSUMERS ONLY)



For Canadian
Customers



Pour les
Consommateurs
Canadiens

CUT ALONG THIS LINE AND RETURN CARD—THANKS

| OWNERSHIP REGISTRATION CERTIFICATE – FICHE D'INSCRIPTION DU PROPRIÉTAIRE | | | |
|---|------------------------------------|---|--|
| Please register your product to enable us to contact you in the remote event a safety notice is issued for this product and to allow for efficient communication under the terms of your warranty, should the need arise. | | Veuillez enregistrer votre produit afin de nous permettre de communiquer avec vous si jamais un avis de sécurité concernant ce produit était émis et de communiquer facilement avec vous en vertu de votre garantie, si le besoin s'en fait sentir. | |
| REGISTER ON-LINE: www.geappliances.ca | | MAIL TO: P.O. BOX 1780, MISSISSAUGA ONTARIO, L4Y 4G1 | |
| ENREGISTREMENT SUR INTERNET À: www.electromenagersge.ca | | POSTER À: | |
| <input type="checkbox"/> MR./M | <input type="checkbox"/> MRS./MME. | FIRST NAME / PRÉNOM | LAST NAME / NOM |
| <input type="checkbox"/> MISS/MILLE. | <input type="checkbox"/> MS. | | |
| STREET NO / N° RUE | STREET NAME / RUE | | APT. NO / APP./RR# |
| CITY / VILLE | | PROVINCE | POSTAL CODE / POSTAL |
| AREA CODE / IND. RÉG. | TELEPHONE | E-MAIL | |
| DID YOU PURCHASE A SERVICE CONTRACT FOR THIS APPLIANCE? AVEZ-VOUS ACHETÉ UN CONTRAT DE SERVICE POUR CET APPAREIL ? | | YES / OUI <input type="checkbox"/> NO / NON <input type="checkbox"/> | IF YES / SI OUI: EXPIRATION Y/A M D/J |
| NAME OF SELLING DEALER / NOM DU MARCHAND | | MODEL / MODÈLE | |
| INSTALLATION DATE / DATE D'INSTALLATION Y/A M D/J | CORRESPONDENCE CORRESPONDANCE | <input type="checkbox"/> ENGLISH <input type="checkbox"/> FRANÇAIS | SERIAL / SÉRIE |
| <input type="checkbox"/> I do not wish to receive any promotional offers regarding this product. <input type="checkbox"/> Je ne désire pas recevoir d'offres promotionnelles concernant ce produit. | | | |



Les services sous garantie sont dispensés par nos centres de réparation ou par nos réparateurs Customer Care® autorisés. Pour obtenir le service, appelez le 1.800.561.3344. Veuillez fournir le numéro de série et le numéro de modèle lorsque vous appelez pour obtenir le service.

Agrafez le reçu d'achat ici. Pour obtenir le service sous garantie, vous devrez fournir la preuve de l'achat original.

Pour la période d' : Nous remplacerons :

Une année
À compter de la date d'achat initial

Toute pièce de le climatiseur manifestant un vice de matériau ou de fabrication. Durant cette période de **garantie limitée d'une année**, Mabe fournira aussi, **gratuitement**, la main-d'oeuvre et le service de réparation connexe pour le remplacement de la pièce défectueuse.

Ce qui n'est pas couvert :

- Les déplacements de service à votre maison pour vous apprendre à utiliser le produit.
- Un montage, une livraison ou un entretien déficient. Si vous avez un problème de montage ou si le climatiseur n'a pas la bonne capacité de refroidissement pour son usage prévu, appelez votre revendeur ou votre installateur. Vous êtes responsable de fournir une installation de raccordement électrique convenable.
- Les pannes occasionnées par des modifications au produit ou une utilisation non raisonnable, en particulier une absence d'entretien raisonnable et nécessaire.
- Dans les emplacements commerciaux, la main-d'oeuvre nécessaire pour déménager l'appareil jusqu'à un emplacement où il est accessible par un technicien particulier.
- Le remplacement des fusibles de la maison ou la réactivation des disjoncteurs.
- Les pannes occasionnées par la corrosion sur les modèles qui ne sont pas protégés contre la corrosion.
- Les dommages occasionnés par un mauvais voltage de l'alimentation électrique, un accident, un incendie, une inondation ou une calamité naturelle.
- Les dommages indirects et consécutifs à la propriété personnelle occasionnés par des vices possibles de ce climatiseur.
- Les dommages occasionnés par la livraison.

EXCLUSION DE GARANTIES IMPLICITES – Votre seul et unique recours est la réparation du produit selon les dispositions de cette Garantie limitée. Toutes les garanties implicites, incluant les garanties de commercialité et d'adéquation à un usage spécifique, sont limitées à une année ou à la période la plus courte autorisée par la législation.

Cette garantie est valable pour le premier propriétaire et tout autre propriétaire du produit s'il a été acheté au Canada pour utilisation domestique dans le Canada. Le service à domicile sous garantie sera fourni là où il est disponible et dans les régions que Mabe considère que l'offre de service est raisonnable.

Dans certaines provinces, il est interdit d'exclure ou de limiter les dommages directs ou indirects. Il est alors possible que les limitations ou exclusions ci-dessus ne s'appliquent pas dans votre cas. La présente garantie vous confère des droits juridiques spécifiques. Vous pouvez bénéficier d'autres droits, qui varient d'une province à l'autre. Pour connaître les droits dont vous bénéficiez dans votre province, communiquez avec le bureau des relations avec les consommateurs de votre région.

**Garant : Mabe Canada Inc.,
Burlington, Ontario**

Consignes de
sécurité

Consignes
d'utilisation

Entretien et
nettoyage

Instructions de
montage

Conseils de
dépannage

Assistance à la
clientèle

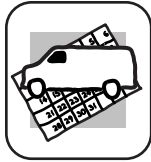
Assistance à la clientèle.



Site Internet GE

www.electromenagersge.ca

Vous avez une question ou vous avez besoin d'aide pour votre appareil électroménager? Contactez-nous par Internet au site www.electromenagersge.ca 24 heures par jour, tous les jours de l'année.



Service de réparations

1.800.561.3344

Service de réparations GE est tout près de vous.
Pour faire réparer votre électroménager GE, il suffit de nous téléphoner.



Studio de conception réaliste

www.electromenagersge.ca

Sur demande, GE peut fournir une brochure sur l'aménagement d'une cuisine pour les personnes à mobilité réduite.

Écrivez: Directeur, Relations avec les consommateurs, Mabe Canada Inc.
Bureau 310, 1 Factory Lane
Moncton, N.B. E1C 9M3

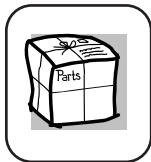


Prolongation de garantie

www.electromenagersge.ca

Achetez un contrat d'entretien GE avant que votre garantie n'expire et bénéficiez d'un rabais substantiel. Ainsi le service après-vente GE sera toujours là après expiration de la garantie.

Visitez notre site Web ou appelez-nous au 1.888.261.2133.



Pièces et accessoires

www.electromenagersge.ca

Ceux qui désirent réparer eux-mêmes leurs électroménagers peuvent recevoir pièces et accessoires directement à la maison (cartes VISA, MasterCard et Discover acceptées).

Les directives stipulées dans le présent manuel peuvent être effectuées par n'importe quel utilisateur. Les autres réparations doivent généralement être effectuées par un technicien qualifié. Soyez prudent, car une réparation inadéquate peut affecter le fonctionnement sécuritaire de l'appareil.

Vous trouverez dans les pages jaunes de votre annuaire le numéro du Centre de service Mabe le plus proche. Autrement, appelez-nous au 1.800.561.3344.



Contactez-nous

www.electromenagersge.ca

Si vous n'êtes pas satisfait du service après-vente dont vous avez bénéficié :

Premièrement, communiquez avec les gens qui ont réparé votre appareil.

Ensuite, si vous n'êtes toujours pas satisfait envoyez tous les détails—numéro de téléphone compris—au
Directeur, Relations avec les consommateurs, Mabe Canada Inc.
Bureau 310, 1 Factory Lane
Moncton, N.B. E1C 9M3



Inscrivez votre appareil électroménager

www.electromenagersge.ca

Inscrivez votre appareil électroménager en direct, aussitôt que possible. Cela améliorera nos communications et notre service après-vente. Vous pouvez également nous envoyer par la poste le formulaire d'inscription joint à votre documentation.

Instrucciones de seguridad38, 39

Instrucciones de operación

Modelos con teclas de toque40, 41

Cuidado y limpieza

Bobinas para exteriores42

Filtro de aire42

Instrucciones de instalación43–48

Solucionar problemas49

Sonidos de operación normales49

Servicio al consumidor

Garantía50

Servicio al consumidor51

AEM10*

AEM12*

AEQ10

AEQ12

* Producto etiquetado *ENERGY STAR®



Como socio de ENERGY STAR®, GE ha confirmado que este producto cumple las directrices de ENERGY STAR® relativas al rendimiento energético.

Escriba los números de modelo y serie aquí:

de Modelo _____

de Serie _____

Puede encontrar estos números en una etiqueta en el costado del acondicionador de aire.

Seguridad

Operación

Cuidado y limpieza

Instalación

Solucionar problemas

Servicio al consumidor

INFORMACIÓN IMPORTANTE DE SEGURIDAD. LEA TODAS LAS INSTRUCCIONES ANTES DE USAR.

Seguridad

Operación

Cuidado y limpieza

Instalación

Solucionar problemas

Servicio al consumidor

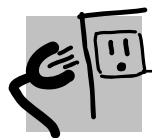
⚠ ¡ADVERTENCIA!

Por su seguridad, se debe seguir la información en este manual para minimizar el riesgo de incendios, descargas eléctricas o lesiones personales.



PRECAUCIONES DE SEGURIDAD

- Use este electrodoméstico solamente para el propósito determinado según se describe en el Manual del propietario.
- Este acondicionador de aire debe instalarse correctamente de acuerdo con las Instrucciones de instalación antes de su uso.
- Nunca desenchufe su acondicionador de aire tirando del cable eléctrico. Siempre agarre firmemente el enchufe y tire de él directamente hacia afuera.
- Reemplace inmediatamente todos los cables eléctricos que se hayan pelado o que se hayan dañado de alguna otra manera. Un cable de corriente dañado no debe repararse, sino que debe ser sustituido por uno nuevo que se adquiera del fabricante. No use un cable eléctrico que muestre evidencias de deterioro, o daños de abrasión en su superficie en alguno de sus extremos.
- Apague la unidad (**OFF**) y desenchufe el acondicionador de aire antes de efectuar reparaciones o la limpieza.
- **NOTA:** Recomendamos enfáticamente que un técnico calificado realice las reparaciones.
- Por su seguridad...no almacene ni use materiales combustibles, gasolina u otros vapores o líquidos inflamables en la proximidad de éste o algún otro electrodoméstico.
- Todos los acondicionadores de aire contiene refrigerantes, los que por Ley Federal deben ser removidos antes de desecharlos. Si usted planea deshacerse de algún producto que contenga refrigerantes, póngase en contacto con la compañía que se encarga de recoger su basura para que le indiquen qué hacer.
- Si el receptáculo no coincide con el enchufe, un electricista calificado debe reemplazar el receptáculo.



CÓMO CONECTAR LA ELECTRICIDAD

Bajo ninguna circunstancia, corte o remueva la tercera púa (tierra) del cable eléctrico. En pos de la seguridad personal, este electrodoméstico debe siempre conectarse a tierra.

NO use un enchufe adaptador con este electrodoméstico.

El cable eléctrico de este electrodoméstico está equipado con un enchufe de tres púas (tierra) que combina con un tomacorriente estándar de tres tomas de pared para minimizar la posibilidad de una descarga eléctrica.

El cable de alimentación incluye un dispositivo para interrupción de corriente. Se incluye un botón de prueba y de reinicio en el dispositivo. El dispositivo debe ponerse a prueba periódicamente: primero se presiona el botón de **TEST** (prueba) y luego **RESET** (reinicio) mientras se encuentra enchufado al tomacorriente. Si el botón **TEST** no se dispara o si el botón **RESET** no queda enganchado, deje de utilizar el acondicionador de aire y comuníquese con un técnico calificado.

Pida a un técnico que inspeccione el tomacorriente y el circuito para cerciorarse de que el tomacorriente está conectado a tierra de la manera apropiada.

Donde exista un tomacorriente de dos tomas, es su responsabilidad y obligación personal hacer que dicho tomacorriente sea reemplazado por uno de tres tomas con conexión a tierra.

El acondicionador de aire debería siempre estar conectado a un tomacorriente individual con su circuito de voltaje correspondiente.

Esto proporciona el mayor rendimiento y además evita que los circuitos del resto de la casa se sobrecarguen, lo cual podría causar incendios por el sobrecalentamiento del cableado.

Ver las Instrucciones de instalación, en la sección **Requisitos Eléctricos** para los requisitos específicos de conexión.

⚠ ¡ADVERTENCIA!



USO DE CABLES DE EXTENSIÓN—Modelos de 115 voltios solamente

Debido al potencial de riesgos de seguridad bajo ciertas condiciones, **enérgicamente recomendamos contra el uso de cables de extensión.**

Sin embargo, si usted se ve en la necesidad de usar un cable eléctrico de extensión, es absolutamente necesario que el mismo esté listado bajo UL, sea calibre 14, del tipo de 3 tomas con conexión a tierra para electrodomésticos y el índice eléctrico debe ser de 15 amperios (mínimo) y 125 voltios.

⚠ PRECAUCIÓN:

NO USE un cable de extensión con ninguno de los modelos de 230/208 voltios.



LEA Y SIGA ESTAS INSTRUCCIONES DE SEGURIDAD CUIDADOSAMENTE.

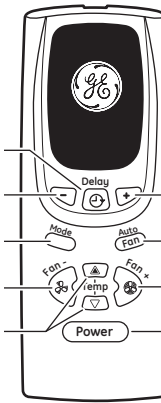
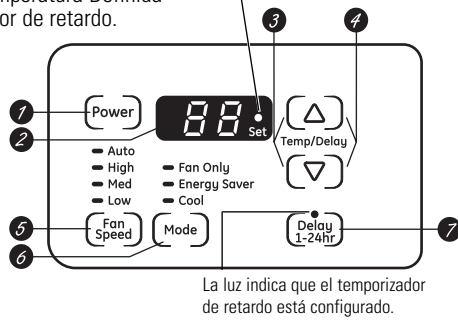
GUARDE ESTAS INSTRUCCIONES

Acerca de los controles en el acondicionador de aire

Las luces al lado de las teclas de toque en el panel de control del acondicionador de aire indicarán los ajustes seleccionados.

La pantalla muestra siempre la temperatura ambiente, excepto al configurar la temperatura Definida o el Sincronizador de retardo.

La luz indica que la unidad está en el modo de Ajuste de temperatura o de Tiempo de retardo.



- 7 1-24 h de retardo
- 4 Reducción de sincronizador de retardo
- 6 Selección de modo
- 5 Reducción de velocidad del ventilador
- 3 Aumento y reducción de ajuste de temperatura
- 4 Aumento de sincronizador de retardo
- 5 Encendido/apagado automático del ventilador
- 5 Aumento de velocidad del ventilador
- 7 Encendido/apagado de la unidad

Controles del acondicionador de aire

Controles

- 1 **Tecla de Power (Encendido)**
Apaga y prende el acondicionador de aire. Al encenderse, la pantalla mostrará la temperatura ambiente.
- 2 **Pantalla**
Muestra la temperatura ambiente o el tiempo restante en el Sincronizador de retardo. Muestra la temperatura **Definida** al configurar la temperatura en los modos **Cool (Frío)** o de **Energy Saver (Ahorro de energía)**. La luz de **Ajuste** se encenderá durante la configuración.

NOTA: la pantalla cambiará para mostrar la temperatura ambiente una vez que se haya realizado la configuración. Para restituir la temperatura **Definida**, pulse las teclas de **Temp (Temperatura) Aumento ▲** o **Reducción ▼**.
- 3 **Teclas de Temp Aumento ▲ / Reducción ▼**
Usado para ajustar la temperatura cuando se encuentre en el modo **Cool (Frío)** o **Energy Saver (Ahorro de energía)**. La luz de **Ajuste** se encenderá durante la configuración.
- 4 **Teclas de Sincronizador de retardo Aumento ▲ (+) / Reducción ▼ (-)**
Cada vez que toque las teclas **Aumento ▲ / Reducción ▼** de la unidad o las teclas **Aumento + / Reducción -** en el control remoto definirá el tiempo de retardo al utilizar el **Delay 1-24hr timer (Sincronizador de retardo 1-24 h) (⌚)**. La luz de **Ajuste** se encenderá durante la configuración.
- 5 **Teclas de Fan Speed (Velocidad del ventilador)**
Usado para ajustar la velocidad del ventilador a **Low (Bajo)**, **Med (Medio)**, **High (Alto)** o **Auto (Automática)** en la unidad. **NOTA:** en el control remoto, utilice las teclas **Aumento + / Reducción -** velocidad de ventilador para ajustar la velocidad del ventilador en **Low (Bajo)**, **Med (Medio)** o **High (Alto)**. Utilice la tecla **Auto** para activar el ventilador automático.

Control remoto

- 6 **Tecla de MODO**
Usado para ajustar el acondicionador de aire al modo **Cool (Frío)**, **Energy Saver (Ahorro de energía)** o **Fan Only (Solo ventilador)**.
- 7 **Teclas de Delay (Retardo)**
Delay ON (ENCENDIDO Retardo)—Cuando el acondicionador de aire está apagado, puede ajustarse para que se encienda automáticamente dentro de 1 a 24 horas en el modo y configuración de ventilador anterior.
Delay OFF (APAGADO Retardo)—Cuando el acondicionador de aire está encendido, puede ajustarse para que se apague automáticamente dentro de 1 a 24 horas.
Cómo realizar el ajuste:
Pulse la tecla **Delay 1-24hr (Retardo 1-24h)** en la unidad o en la tecla ⌚ del control remoto.

Cada toque de las teclas **Aumento ▲ / Reducción ▼** en la unidad o las teclas **Aumento + / Reducción -** en el control remoto definirá el temporizador en intervalos de 1 hora. La luz de **Ajuste** se encenderá durante la configuración.

Para revisar el tiempo restante en el Sincronizador **de retardo 1-24 h**, pulse la tecla de **Delay 1-24hr (Retardo 1-24h)** en la unidad o en la tecla ⌚ del control remoto. Utilice las teclas **Aumento ▲ / Reducción ▼** en la unidad o las teclas **Aumento + / Reducción -** en el control remoto para definir un nuevo tiempo, si lo desea.

Para cancelar el sincronizador, pulse la tecla **Delay 1-24hr (Retardo 1-24h)** hasta que la luz de dicho control se apague.

Función de recuperación de pérdida de energía

En caso de la pérdida de la energía o interrupción, la unidad reiniciará automáticamente en las funciones de la última vez que fue usado una vez la energía sea restablecida. Si la función del

Delay 1-24hr (Retardo 1-24h) estaba definido, continuará la cuenta regresiva. Es posible que usted necesite ajustar un tiempo nuevo si así lo desea.

Modo Cool (Frío)

Use el modo **Cool (Frío)** a **Low (Bajo)**, **Med (Medio)**, **High (Alto)** o **Auto Fan Speed (Velocidad de ventilador automática)** para enfriar. Use las teclas de **Temperature (Temperatura) Aumento ▲ (+) / Reducción ▼ (-)** para ajustar a la temperatura deseada entre 64°F y 86°F en incrementos de 1°F.

Se usa un termostato electrónico para mantener la temperatura ambiente. El compresor hará ciclo entre apagado y encendido para mantener la habitación a la temperatura deseada. Ajuste el termostato a un número menor y el aire interno se enfriará más. Si lo ajusta a un número mayor, la temperatura del aire interno se calentará más.

NOTA: si el acondicionador de aire está apagado y se enciende mientras está configurado en un ajuste **Cool (Frío)** o si se cambia de un ajuste de ventilador a uno de **Cool (Frío)**, puede que pasen aproximadamente unos 3 minutos hasta que el compresor arranque y comience el enfriamiento.

Descripciones de enfriamiento

Para enfriamiento normal—Seleccione el modo **Cool (Frío)** y ventilador **High (Alto)** o **Med (Medio)** con una temperatura de ajuste media.

Para enfriamiento máximo—Seleccione el modo **Cool (Frío)** y ventilador **High (Alto)** con una temperatura de ajuste menor.

Para enfriamiento silencioso y enfriamiento nocturno—Seleccione el modo **Cool (Frío)** y ventilador **Low (Bajo)** con una temperatura de ajuste media.

No use en las condiciones externas debajo el punto de congelación

Este acondicionador de aire no es diseñado para usar en temperaturas externas debajo el punto de congelación. No use en las condiciones externas debajo el punto de congelación.

Energy Saver Mode (Modo de ahorro de energía)

Controla el ventilador.

ON (ENCENDIDO)—El ventilador hará un ciclo de encendido y apagado con el compresor. Este resulta en variaciones mayores en la temperatura de la habitación y en la humedad. Normalmente usado cuando la habitación no está ocupada.

NOTA: puede que el ventilador siga funcionando durante un corto tiempo después de desactivarse el ciclo del compresor.

OFF (APAGADO)—El ventilador funciona todo el tiempo, mientras que el compresor pasa por los ciclos de encendido y apagado.

Modo de Fan Only (Solo ventilador)

Use el modo **Fan only (Solo ventilador)** a velocidad **Low (Baja)**, **Med (Media)** o **High (Alta)** para proporcionar circulación de aire y filtración sin enfriamiento. Debido a que los niveles de ventilador únicamente no proporcionan

enfriamiento, no se puede introducir una temperatura **Definida**. Aparecerá en pantalla la temperatura ambiente.

NOTA: la Velocidad de ventilador automática no puede utilizarse en el modo **Fan only (Solo ventilador)**.

Velocidad de ventilador automática

Indique la opción en Velocidad de ventilador automática para definir automáticamente la velocidad necesaria para proporcionar una configuración de comodidad óptima con la temperatura elegida.

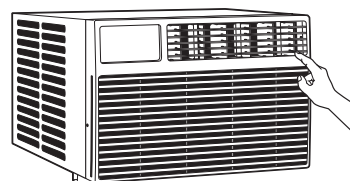
Si la habitación necesita más enfriamiento, la velocidad del ventilador aumentará automáticamente. Si la habitación necesita menos enfriamiento, la velocidad del ventilador descenderá automáticamente.

NOTA: la Velocidad de ventilador automática no puede utilizarse en el modo **Fan only (Solo ventilador)**.

Dirección del aire

Utilice las palancas para ajustar la dirección del aire, hacia la izquierda y hacia la derecha.

Aplique presión con la punta de los dedos en las lamas de distribución para ajustar la dirección del aire hacia arriba y hacia abajo.



Control remoto

- Para garantizar una operación apropiada, oriente el control remoto hacia el receptor de señal del acondicionador de aire.
- El receptor de señal tiene un rango máximo de 20 pies.

- Cerciórese de que no haya nada entre el acondicionador de aire y el control remoto que pueda bloquear la señal.
- Cerciórese de que las baterías sean frescas y se instalen correctamente según se indica en el control remoto.

Cuidado y limpieza del acondicionador de aire.

Seguridad

Rejilla y caja

Apague el acondicionador de aire y retire el enchufe del tomacorriente de la pared antes de limpiar.

Para limpiar, use agua y un detergente suave. No use cloro o materiales abrasivos.

Operación

Filtro de aire

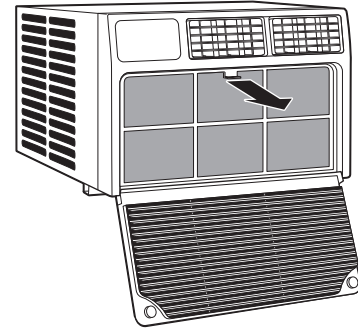
El filtro de aire detrás de la rejilla frontal debe inspeccionarse y limpiarse por lo menos cada 30 días o más a menudo si fuese necesario.

Para retirarlo:

Abra la rejilla de entrada hacia abajo, tirando de las esquinas superiores de la rejilla de entrada.

Agarre la pestaña del filtro y tire de ella hacia abajo y hacia fuera.

Limpie el filtro con agua tibia y jabón. Enjuáguelo y permita que se seque antes de colocarlo otra vez en su lugar. No lave el filtro en un lavavajillas.

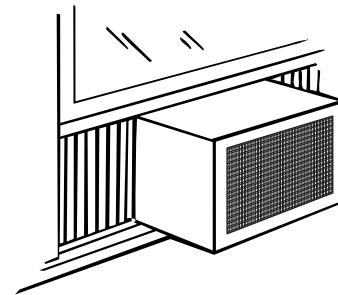


▲ PRECAUCIÓN: NO OPERE el acondicionador de aire sin el filtro debido a que la suciedad y las pelusas lo obstruirán y reducirán su rendimiento.

Cuidado y limpieza

Bobinas para exteriores

Se deben inspeccionar con frecuencia las bobinas en el lado exterior del acondicionador de aire. Si las mismas están obstruidas con suciedad u hollín, podrían limpiarse profesionalmente.



Instalación

Cómo insertar las pilas en el control remoto

- 1 Retire la cubierta de la pila deslizándola de acuerdo con la dirección de la flecha.
- 2 Inserte pilas nuevas cerciorándose de que los polos positivos (+) y negativos (-) están orientados correctamente.
- 3 Coloque la cubierta otra vez deslizándola en su lugar.

NOTAS:

- Use 2 pilas alcalinas "AAA" de 1,5 voltios. No use pilas recargables.
- Retire las pilas del control remoto si no va a usar el sistema por un período prolongado.

Solucionar problemas

Servicio al consumidor

Instrucciones de instalación

Acondicionador de aire

? ¿Preguntas? Llame 800.GE.CARES (800.432.2737) o Visite nuestra página en la red en: ge.com



ANTES DE INICIAR

Lea estas instrucciones completa y cuidadosamente.

- **IMPORTANTE** — Guarde estas instrucciones para uso del inspector local.
- **IMPORTANTE** — Observe todos los códigos y órdenes de ley.
- **Nota al instalador** – Asegúrese de dejar estas instrucciones con el consumidor.
- **Nota al consumidor** – Conserve estas instrucciones para referencia futura.
- **Nivel de destreza** – La instalación de este aparato requiere de destrezas mecánicas básicas.
- **Tiempo de ejecución** – Aprox. 1 hora
- Recomendamos dos personas para la instalación de este producto.
- La instalación apropiada es la responsabilidad del instalador.
- La falla del producto debido a una instalación inadecuada no está cubierta por la garantía.
- Cuando instale este acondicionador de aire, DEBE usar todas las piezas suministradas y usar procedimientos adecuados de instalación como describe en estas instrucciones y algunas instrucciones de kit separadas.

⚠ PRECAUCIÓN:

Bajo ninguna circunstancia corte o remueva la tercera púa (conexión a tierra) del cable eléctrico.

No cambie el enchufe en el cable eléctrico de este acondicionador de aire.

Los cables caseros de aluminio podrían presentar problemas especiales. Consulte a un técnico electricista calificado.

⚠ PRECAUCIÓN:

Si los tornillos de soporte del umbral no tienen contacto con el umbral de la ventana, o si cuenta con una ventana sin umbral, debe ordenar el kit de accesorios RAK87 para instalar de forma adecuada este acondicionador de aire. Llame a 800.626.2002 o visite ge.com.



REQUISITOS ELÉCTRICOS



Algunos modelos requieren tomacorrientes de 115/120 voltios de corriente alterna y 60 Hz conectados a tierra, protegidos con un fusible de dilatación de tiempo de 15 amperios o un cortacircuitos.

El enchufe de tres púas con conexión a tierra minimiza la posibilidad de descargas eléctricas. Si el tomacorriente de la pared que usted planea usar solamente tiene 2 tomas, es su responsabilidad hacer que un técnico lo reemplace por uno de tres tomas con conexión a tierra.



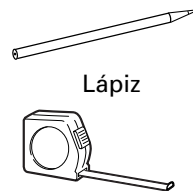
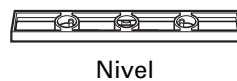
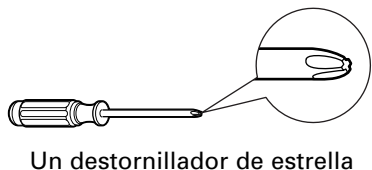
Algunos modelos requieren 230/208 voltios, de corriente alterna, protegidos por un fusible de dilatación de tiempo o un cortacircuitos. Estos modelos deberían instalarse en un ramal exclusivo del circuito para un rendimiento más notable y para prevenir sobrecargas en los circuitos de cableados de su casa o apartamento, lo cual podría representar un riesgo de incendio por el sobrecalentamiento de los alambres.



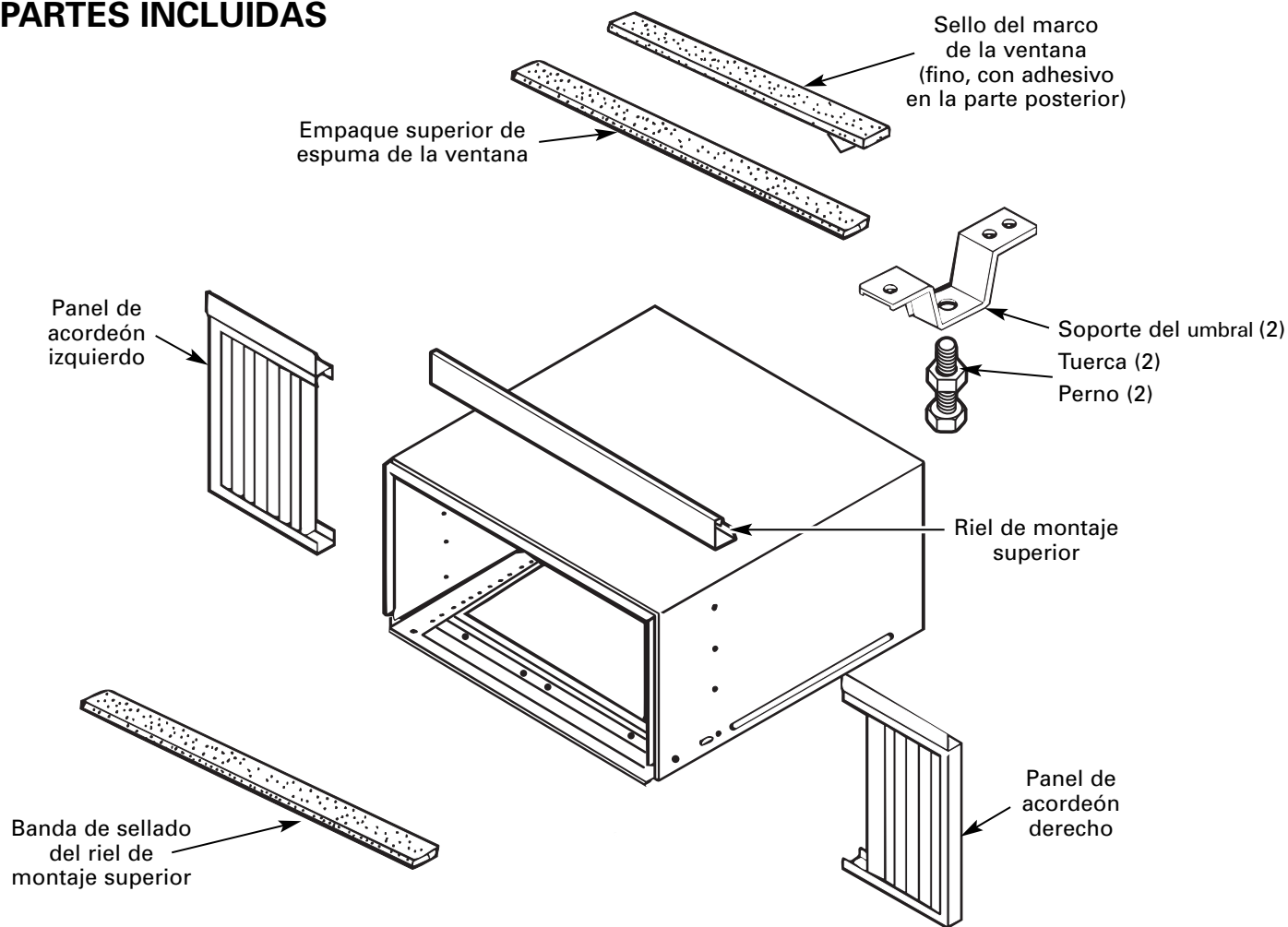
El cable de alimentación incluye un dispositivo para interrupción de corriente. Se incluye un botón de prueba y de reinicio en el dispositivo. El dispositivo debe ponerse a prueba periódicamente: primero se presiona el botón de **TEST** (prueba) y luego **RESET** (reinicio) mientras se encuentra enchufado al tomacorriente. Si el botón **TEST** no se dispara o si el botón **RESET** no queda enganchado, deje de utilizar el acondicionador de aire y comuníquese con un técnico calificado.

Instrucciones para la instalación

HERRAMIENTAS QUE NECESITARÁ



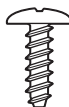
PARTES INCLUIDAS



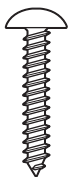
Tipo A (6)



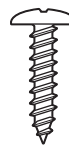
Tipo B (7)



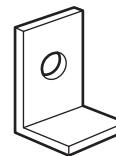
Tipo C (6)



Tipo D (3)



Soporte para bloqueo de ventana (2)



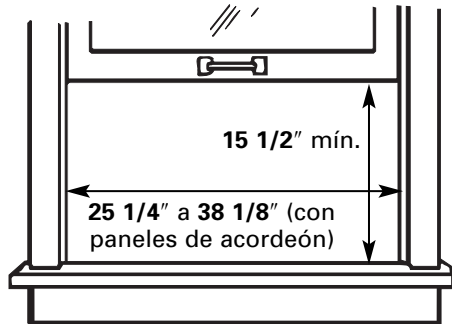
Instrucciones de instalación

1 REQUISITOS PARA LA VENTANA

- Estas instrucciones son para una ventana estándar de dos pliegues. Usted necesitará modificar el proceso para otros tipos de ventanas.

⚠ PRECAUCIÓN: Si los tornillos de soporte del umbral no tienen contacto con el umbral de la ventana, o si cuenta con una ventana sin umbral, debe ordenar el kit de accesorios RAK87 para instalar de forma adecuada este acondicionador de aire. Llame a 800.626.2002 o visite ge.com.

- El acondicionador de aire puede instalarse sin los paneles de acordeón para ajustarse a una ventana más estrecha. Ver las dimensiones de la abertura de la ventana.
- Todas las partes de apoyo deben quedar totalmente aseguradas a algún metal, mampostería o a la madera.
- El tomacorriente eléctrico debe estar al alcance del cable eléctrico del acondicionador de aire.



2 REQUISITOS DE UNA VENTANA DE TORMENTAS

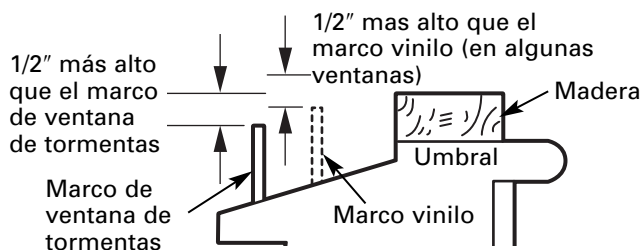
Un marco de ventana de tormentas no permitirá que el acondicionador de aire se incline hacia el exterior y evitará que drene apropiadamente. Para solucionar este problema, adhiera un pedazo de madera a el umbral.

PEDAZOS DE MADERA - ANCHO: 2"

LONGITUD: Lo suficientemente largo como para ajustar en el interior del marco de la ventana.

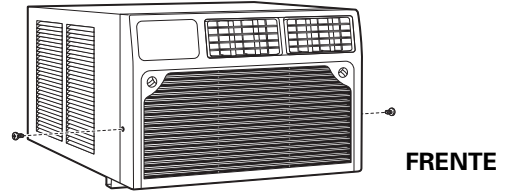
GRUESO: Para determinar el grueso, coloque un pedazo de madera en el umbral para hacerla 1/2" más alta que la parte superior del marco de la ventana de tormentas o del marco vinilo.

Péguelo firmemente con clavos o con tornillos proporcionados por el instalador.

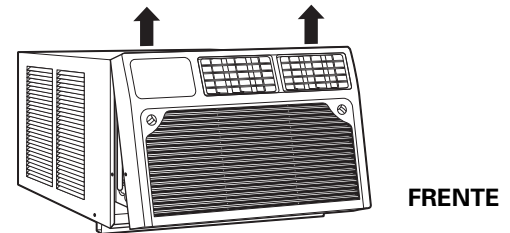


3 REMUEVA EL ACONDICIONADOR DE AIRE DE LA CAJA

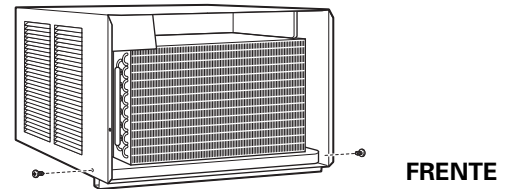
- A** Remueva y salve los 2 tornillos de los lados inferiores de la parrilla frontal.



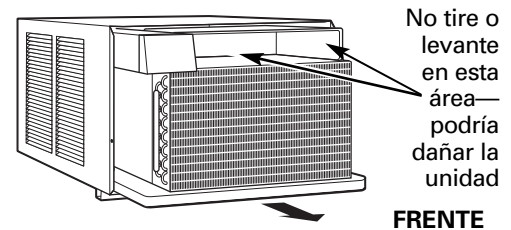
- B** Agarre las esquinas inferiores de la parrilla mientras presiona hacia adentro en los lados de la caja con las puntas de sus dedos. Tire hacia afuera para liberarla y levántela. **NOTA:** No hale el borde inferior hacia usted más de 3" o podría dañar las lengüetas de la rejilla.



- C** Remueva el tornillo a tierra de cada lado de la caja. Manténgalos en un lugar seguro.



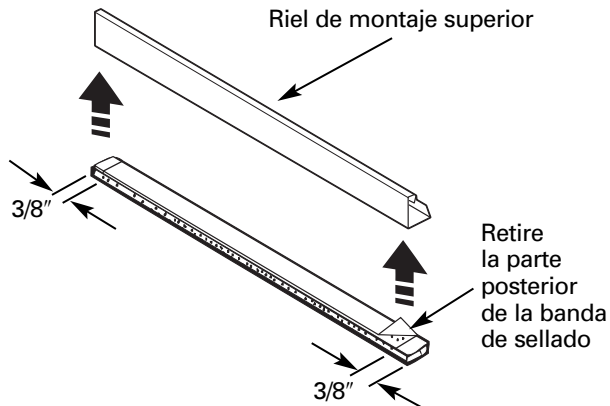
- D** Deslice el acondicionador de aire de la caja agarrando la manija del recipiente de la base y halando hacia el frente mientras apoya la caja. No tire o levante el área de descarga de aire de espuma de poliestireno.



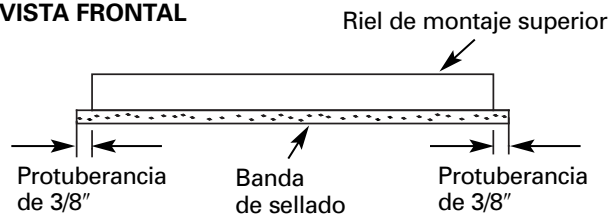
Instrucciones de instalación

4 PEGUE LA BANDA DE SELLADO DEL RIEL DE MONTAJE SUPERIOR

Retire la parte posterior de la banda de sellado del riel de montaje superior y pegue la banda de sellado al fondo del riel de montaje superior a lo largo el borde delantero. Permita que la banda de sellado sobresale $3/8''$ en cada extremo.

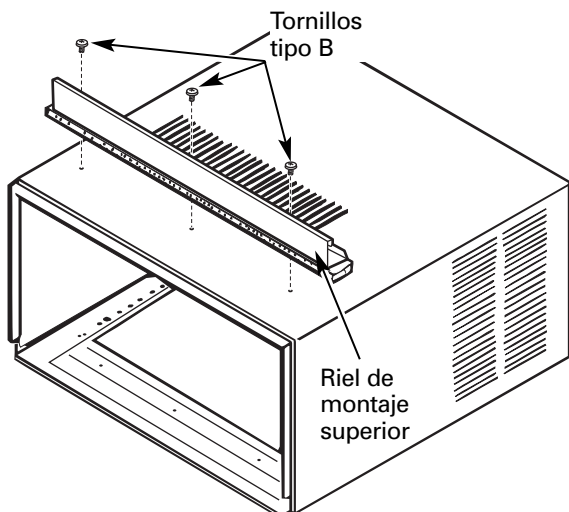


VISTA FRONTAL



5 INSTALE EL RIEL DE MONTAJE SUPERIOR EN LA CAJA

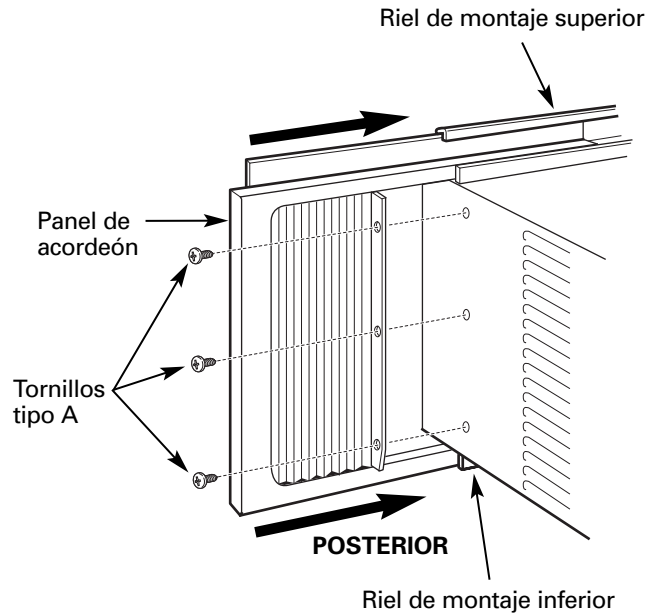
Pegue el riel de montaje superior en la parte superior de la caja con 3 tornillos tipo B.



6 INSTALE LOS PANELES LATERALES DE ACORDEON

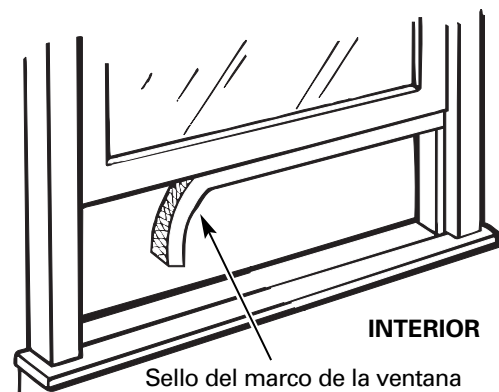
A Deslice los paneles de acordeón izquierdo y derecho en los rieles de montaje superior e inferior.

B Una los paneles de acordeón a la caja usando 3 tornillos tipo A en cada lado.



7 PREPARE LA VENTANA

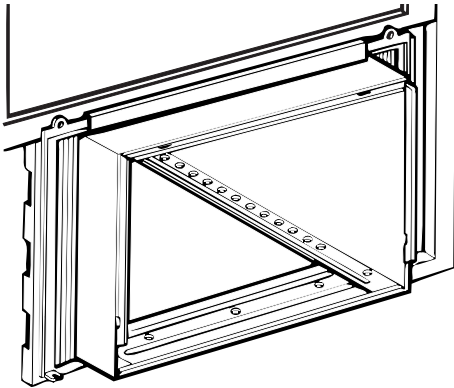
- Corte el sello del marco de la ventana a lo ancho de ésta y pegue la cinta adhesiva en la parte inferior del marco.



Instrucciones de instalación

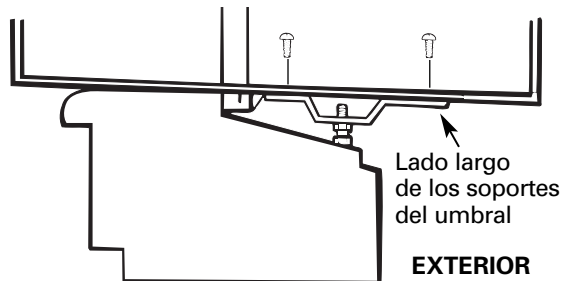
8 INSTALE LA CAJA EN LA VENTANA

- A Abra la ventana y marque la línea central del umbral de la ventana.
- B Cuidadosamente coloque la caja en la repisa de la ventana y alinee la ventana con la marca central en el fondo con la línea central en el umbral.
- C Tire de la ventana hacia abajo detrás del riel de montaje superior.



NOTA: No apriete la ventana tanto que el movimiento de los paneles de acordeón quede restringido.

- D Seleccione la posición en que colocará los soportes del umbral cerca del punto más alejado en el umbral. Coloque el lado corto de los soportes del umbral, en la parte inferior de la caja, hacia la ventana. Una los soportes del umbral al agujero de trayectoria de la caja en relación con la posición seleccionada usando dos tornillos tipo B en cada soporte.

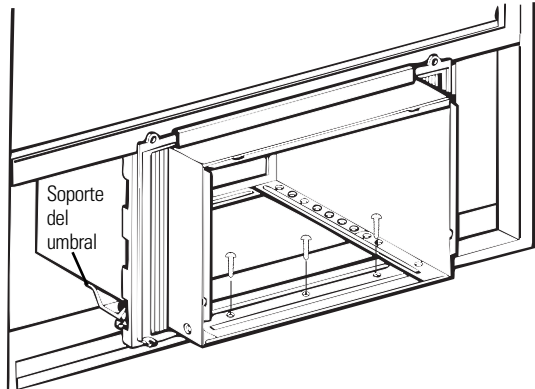


- E Ajuste el tornillo y la tuerca en cada soporte de forma tal que la caja esté instalada con una inclinación ligera hacia el exterior. Use un nivel; una burbuja de aproximadamente 1/2 es la inclinación correcta con respecto a la ventana.

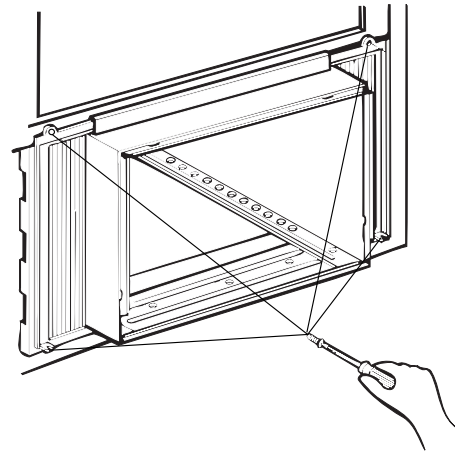
⚠ PRECAUCIÓN: Si los tornillos de soporte del umbral no tienen contacto con el umbral de la ventana, o si cuenta con una ventana sin umbral, debe ordenar el kit de accesorios RAK87 para instalar de forma adecuada este acondicionador de aire. Llame a 800.626.2002 o visite ge.com.

8 INSTALE LA CAJA EN LA VENTANA (CONT.)

- F Asegure la caja al umbral de la ventana usando 3 tornillos tipo D.



- G Tire de los paneles de acordeón hacia cada paso del marco de la ventana. Únalos a cada lado del marco de la ventana y el umbral de la ventana usando 4 tornillos tipo C.

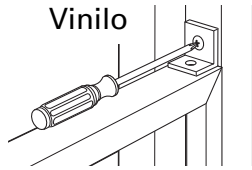


Instrucciones para la instalación

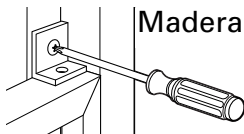
9 INSTALE UN SOPORTE DE CIERRE Y LA JUNTA DE ESPUMA SUPERIOR DE LA VENTANA

A **PRECAUCIÓN:**

En ventanas construidas de vinilo o de similar construcción, conecte el soporte a el marco de la ventana para prevenir daño a la ventana y vidrio quebrado.

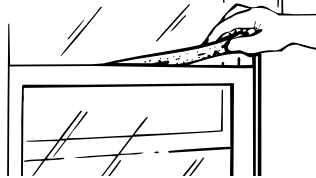


Una el soporte de cierre con uno tornillo tipo C.



B Corte la junta de espuma superior de la ventana al ancho de la ventana.

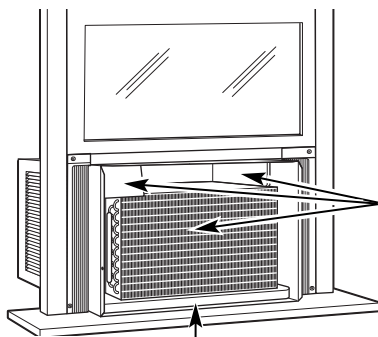
C Rellene la espuma entre el vidrio y la ventana para evitar que aire e insectos se introduzcan en la habitación.



NOTA: Si la junta provista no es adecuada para su ventana, obtenga el material apropiado localmente para realizar una adecuada instalación de sellado.

10 INSTALE EL ACONDICIONADOR DE AIRE EN LA CAJA

A Deslice el acondicionador de aire hacia el interior de la caja mediante la rejilla base. No empuje por los controles, la carcasa de descarga de aire de espuma de poliestireno ni las bobinas aleteadas. asegúrese de que el acondicionador de aire esté firmemente asentado.



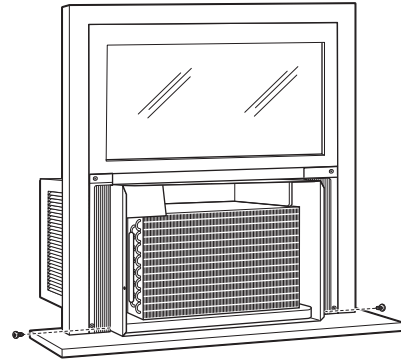
No apriete sobre estas áreas—podría dañar la unidad

Rejilla base

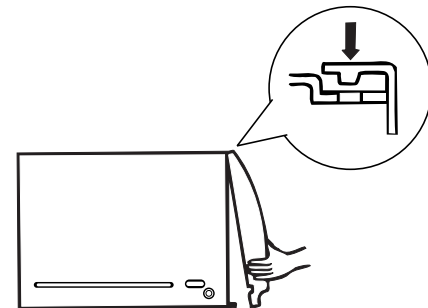
10 INSTALE EL ACONDICIONADOR DE AIRE EN LA CAJA (CONT.)

B Reemplace los dos tornillos a tierra removidos anteriormente, uno de cada lado de la caja.

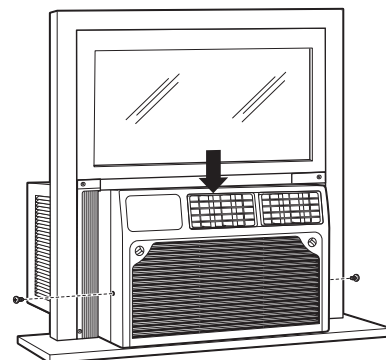
IMPORTANTE: Los tornillos a tierra deben ser instalados a nuevo para asegurar una conexión a tierra correcta.



C Pegue la parrilla frontal a la caja insertando las orejillas en la parrilla en las ranuras en el frente superior de la caja. Empuje la parrilla hacia adentro.



D Asegure la parrilla frontal a la caja reemplazando los 2 tornillos removidos anteriormente. Empuje en la parte superior de la rejilla para facilitar la instalación de los tornillos de cada lado de la caja.



E Conecte la energía eléctrica.

Solucionar problemas.

| Problema | Causas posibles | Qué hacer |
|--|---|--|
| El acondicionador de aire no enciende | El acondicionador de aire está desconectado. | •Cerciórese de que el acondicionador de aire está enchufado totalmente en el tomacorriente. |
| | El fusible se disparó / el cortacircuitos se disparó. | •Inspeccione los fusibles / caja de interruptores de la casa y reemplace cualquier fusible o reajuste el interruptor. |
| | Interrupción en el suministro eléctrico. | •La unidad se reiniciará automáticamente con la configuración utilizada por última vez luego de reestablecer la electricidad. •Existe un retraso de tiempo por protección (de aproximadamente 3 minutos) para evitar la desconexión por sobrecarga del compresor. Por esta razón, es posible que la unidad no comience a enfriar de forma normal hasta transcurridos 3 minutos desde que volvió a encenderse. |
| | El dispositivo de interrupción de corriente se ha activado. | •Presione el botón RESET ubicado en el cable de alimentación. •Si el botón RESET no se mantiene en su lugar, no utilice más el acondicionador de aire y comuníquese con un técnico calificado. |
| El acondicionador de aire no enfría como debería | El flujo de aire está restringido. | •Cerciórese de que no existe ninguna cortina, persiana o mueble bloqueando el frente del acondicionador de aire. |
| | El control de temperatura no está ajustado apropiadamente. | •En los modelos con teclado: En el modo Cool (Frio) , presione la tecla Reducción ▼ . •En los modelos con botones, gire la temperatura a un número mayor. |
| | El filtro de aire está sucio. | •Limpie el filtro cada 30 días por lo menos. Ver la sección de <i>Cuidado y limpieza</i> . |
| | La habitación podría haber estado caliente. | •Cuando el acondicionador de aire se enciende, usted necesita darle tiempo para que enfríe la habitación. |
| | El aire frío se está escapando. | •Cerciórese de que los registros de la calefacción no están abiertos y se encuentran retornando el aire frío. |
| | Las bobinas de enfriamiento se congelaron. | •Ver " Acondicionador de aire congelándose " más adelante. |
| El acondicionador de aire se está congelando | El hielo bloquea el flujo de aire hacia el acondicionador de aire evitando que se enfríe la habitación. | •En modelos con los botones de control, coloque el control de modo en High Fan (Ventilador Alto) ó High Cool (Frio Alto) con la temperatura en 1 ó 2 . •En los modelos con teclas de toque, colo que los controles en High Fan (Ventilador Alto) ó High Cool (Frio Alto) y ajuste el termostato a una temperature más alta. |
| El control remoto no funciona | Las baterías están insertadas incorrectamente. | •Inspeccione la posición de las baterías. Deben estar insertadas en la posición indicada, (+) y (-). |
| | Las baterías están agotadas. | •Reemplace las baterías. |
| Hay agua goteando afuera | Tiempo húmedo y caliente. | •Esto es normal. |
| Hay agua goteando en el interior de la habitación | El acondicionador de aire no está inclinado hacia afuera. | •Para drenar el agua apropiadamente, cerciórese de que el acondicionador de aire está inclinado ligeramente desde el frente hacia atrás. |
| Se acumula agua en la bandeja | La humedad removida del aire y se drena hasta la bandeja. | •Esto es normal por un corto período en áreas con poca humedad; normal por un período de tiempo más postergado en áreas más húmedas. |

Seguridad

Operación

Cuidado y limpieza

Instalación

Solucionar problemas

Servicio al consumidor

Sonidos de operación normales

- Quizás escuche un sonido metálico causado por el agua tomada y tirada contra el condensador en los días lluviosos o cuando la humedad es alta. Esta característica de diseño ayuda a remover la humedad y mejora la eficiencia.
- Quizás escuche que el termostato hace clic cuando el compresor hace ciclo entre encendido y apagado.
- El agua se acumula en la bandeja durante días lluviosos o con mucha humedad. El agua podría derramarse y gotear desde el lado externo de la unidad.
- El ventilador podría funcionar aun si el compresor no lo hace.

Garantía de su acondicionador de aire—garantía limitada de un año.



Todos los servicios de garantía los proporcionan nuestros Centros de Reparación de Fábrica o nuestros técnicos Customer Care® autorizados. Para concertar una cita de reparación, en línea, 24 horas al día, visítenos al ge.com, o llame al 800.GE.CARES (800.432.2737). Cuando llame para solicitar servicio, por favor tenga a mano el número de serie y el número de modelo.

Grape aquí su recibo. Se requiere facilitar prueba de la fecha de compra original para obtener un servicio bajo la garantía.

Seguridad

Operación

Por el período de: **GE reemplazará:**

Un año
A partir de la fecha de la compra original

Cualquier parte del acondicionador de aire que falle debido a defectos en los materiales o en la fabricación. Durante esta **garantía limitada de un año**, GE también proporcionará, **sin costo alguno**, toda la mano de obra y el servicio relacionado—para reemplazar partes defectuosas.

Cuidado y limpieza

Lo que no está cubierto:

- Viajes de servicio a su casa para mostrarle cómo funciona el equipo.
- Instalación o entrega inapropiada, o mantenimiento impropio. Si usted tiene un problema durante la instalación, o si su acondicionador de aire no tiene la capacidad de enfriamiento que usted necesita, póngase en contacto con nuestro distribuidor o instalador. Usted es responsable de proporcionar las facilidades de conexión eléctrica necesarias.
- Fallo del producto resultante de modificaciones al producto o debido a uso irrazonable incluyendo no proporcionar mantenimiento razonable y necesario.
- En locales comerciales, la mano de obra necesaria para retirar la unidad hacia un lugar para revisión por parte de un técnico individual.
- Reemplazo de fusibles de la casa o reajuste del sistema de circuitos.
- Fallos debido a la corrosión en modelos que no están protegidos contra la corrosión.
- Daño al producto causado por voltaje inapropiado hacia el equipo, accidentes, incendios, inundaciones o actos de la naturaleza de fuerza mayor.
- Daños incidentales o consecuenciales causados por defectos posibles con este acondicionador de aire.
- Daños después de la entrega.

Instalación

EXCLUSIÓN DE GARANTÍAS IMPLÍCITAS—Su único y exclusivo derecho es la reparación del producto, tal y como se indica en esta Garantía limitada. Cualquier garantía implícita, incluyendo las garantías implícitas de comerciabilidad o adecuación para un fin determinado, están limitadas a un año o el período de tiempo más breve permitido por la ley.

Solucionar problemas

Esta garantía se extiende al comprador original y cualquier comprador posterior de productos comprados para uso residencial dentro de Estados Unidos. Si el producto está situado en un área que no dispone de servicio por parte de un proveedor de servicio autorizado de GE, podría tener que hacerse cargo de los costes de envío o bien podría solicitársele que lleve el producto a una centro de servicio de GE autorizado para realizar la reparación. En Alaska, la garantía excluye el costo de envío o las visitas de servicio a su casa.

Algunos estados no permiten la exclusión o las limitaciones de daños incidentales o consecuenciales. Esta garantía da derechos legales específicos, y usted podría tener otros derechos que variarán de estado a estado. Para saber cuáles son sus derechos legales, consulte a la oficina de asuntos del consumidor local o la oficina del Attorney General en su localidad.

Garante: General Electric Company. Louisville, KY 40225

Servicio al consumidor

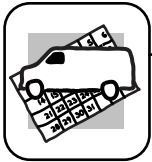
Soporte al consumidor.



Página Web de GE Appliances

ge.com

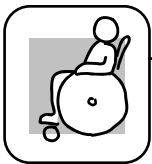
¿Tiene alguna pregunta sobre su electrodoméstico? ¡Pruebe la página Web de GE Appliances 24 horas al día, cualquier día del año! Para mayor conveniencia y servicio más rápido, ya puede descargar los Manuales de los Propietarios, pedir piezas o incluso hacer una cita en línea para que vengan a realizar una reparación.



Solicite una reparación

ge.com

El servicio de expertos GE está a tan sólo un paso de su puerta. ¡Entre en línea y solicite su reparación cuando le venga bien 24 horas al día cualquier día del año! O llame al 800.GE.CARES (800.432.2737) durante horas normales de oficina.



Real Life Design Studio (Estudio de diseño para la vida real)

ge.com

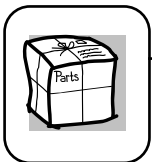
GE apoya el concepto de Diseño Universal—productos, servicios y ambientes que pueden usar gente de todas las edades, tamaños y capacidades. Reconocemos la necesidad de diseñar para una gran gama de habilidades y dificultades físicas y mentales. Para más detalles sobre las aplicaciones de GE Diseño Universal, incluyendo ideas de diseño para la cocina para personas con discapacidades, mire nuestra página Web hoy mismo. Para personas con dificultades auditivas, favor de llamar al 800.TDD.GEAC (800.833.4322).



Garantías ampliadas

ge.com

Compre una garantía ampliada y obtenga detalles sobre descuentos especiales disponibles mientras su garantía está aún activa. Puede comprarla en línea en cualquier momento, o llamar al (800.626.2224) durante horas normales de oficina. GE Consumer Home Services estará aún ahí cuando su garantía termine.

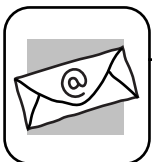


Piezas y accesorios

ge.com

Aquellos individuos con la calificación necesaria para reparar sus propios electrodomésticos pueden pedir que se les manden las piezas o accesorios directamente a sus hogares (aceptamos las tarjetas VISA, MasterCard y Discover). Haga su pedido en línea hoy, 24 horas cada día o llamar por teléfono al 800.626.2002 durante horas normales de oficina.

Las instrucciones descritas en este manual cubren los procedimientos a seguir por cualquier usuario. Cualquier otra reparación debería, por regla general, referirse a personal calificado autorizado. Debe ejercerse precaución ya que las reparaciones incorrectas pueden causar condiciones de funcionamiento inseguras.



Póngase en contacto con nosotros

ge.com

Si no está satisfecho con el servicio que recibe de GE, póngase en contacto con nosotros en nuestra página Web indicando todos los detalles así como su número de teléfono o escribanos a:

General Manager, Customer Relations
GE Appliances, Appliance Park
Louisville, KY 40225



Registre su electrodoméstico

ge.com

¡Registre su nuevo electrodoméstico en línea—cuando usted prefiera! El registrar su producto a tiempo le proporcionará, si surgiera la necesidad, una mejor comunicación y un servicio más rápido bajo los términos de su garantía. También puede enviar su tarjeta de registro pre-impresa que se incluye en el material de embalaje.

Consumer Support.



GE Appliances Website

*In the U.S.A. **ge.com***

Have a question or need assistance with your appliance? Try the GE Appliances Website 24 hours a day, any day of the year! For greater convenience and faster service, you can now download Owner's Manuals, order parts or even schedule service on-line. **In Canada: www.GEAppliances.ca**



Schedule Service

*In the U.S.A. **ge.com***

Expert GE repair service is only one step away from your door. Get on-line and schedule your service at your convenience 24 hours any day of the year! Or call 800.GE.CARES (800.432.2737) during normal business hours.

In Canada, call 1.800.561.3344



Real Life Design Studio

*In the U.S.A. **ge.com***

GE supports the Universal Design concept—products, services and environments that can be used by people of all ages, sizes and capabilities. We recognize the need to design for a wide range of physical and mental abilities and impairments. For details of GE's Universal Design applications, including kitchen design ideas for people with disabilities, check out our Website today. For the hearing impaired, please call 800.TDD.GEAC (800.833.4322).

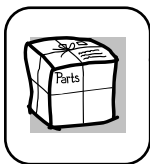
In Canada, contact: Manager, Consumer Relations, Mabe Canada Inc.
Suite 310, 1 Factory Lane
Moncton, N.B. E1C 9M3



Extended Warranties

*In the U.S.A. **ge.com***

Purchase a GE extended warranty and learn about special discounts that are available while your warranty is still in effect. You can purchase it on-line anytime, or call 800.626.2224 during normal business hours. GE Consumer Home Services will still be there after your warranty expires. **In Canada, call 1.888.261.2133**



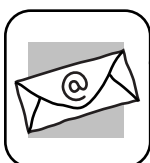
Parts and Accessories

*In the U.S.A. **ge.com***

Individuals qualified to service their own appliances can have parts or accessories sent directly to their homes (VISA, MasterCard and Discover cards are accepted). Order on-line today, 24 hours every day or by phone at 800.626.2002 during normal business hours.

Instructions contained in this manual cover procedures to be performed by any user. Other servicing generally should be referred to qualified service personnel. Caution must be exercised, since improper servicing may cause unsafe operation.

Customers **in Canada** should consult the yellow pages for the nearest Mabe service center, or call 1.800.561.3344.



Contact Us

*In the U.S.A. **ge.com***

If you are not satisfied with the service you receive from GE, contact us on our Website with all the details including your phone number, or write to: General Manager, Customer Relations

GE Appliances, Appliance Park
Louisville, KY 40225

In Canada: www.GEAppliances.ca, or write to: Director, Consumer Relations, Mabe Canada Inc.
Suite 310, 1 Factory Lane
Moncton, N.B. E1C 9M3



Register Your Appliance

*In the U.S.A. **ge.com***

Register your new appliance on-line—at your convenience! Timely product registration will allow for enhanced communication and prompt service under the terms of your warranty, should the need arise. You may also mail in the pre-printed registration card included in the packing material. **In Canada: www.GEAppliances.ca**

Free Manuals Download Website

<http://myh66.com>

<http://usermanuals.us>

<http://www.somanuals.com>

<http://www.4manuals.cc>

<http://www.manual-lib.com>

<http://www.404manual.com>

<http://www.luxmanual.com>

<http://aubethermostatmanual.com>

Golf course search by state

<http://golfingnear.com>

Email search by domain

<http://emailbydomain.com>

Auto manuals search

<http://auto.somanuals.com>

TV manuals search

<http://tv.somanuals.com>