



Room Air Conditioners

Safety Instructions2, 3

Operating Instructions4, 5

Care and Cleaning

Air Filter6

Grille and Case6

Outdoor Coils6

Installation Instructions

Preparing to Install the
Air Conditioner7

Window Installation8-12

Troubleshooting Tips . . .13, 14

Normal Operating Sounds . . .14

Consumer Support

Consumer Support18

Product Registration15, 16

Warranty17

**Owner's Manual and
Installation Instructions**

AGM24

Write the model and serial numbers here:

Model # _____

Serial # _____

Find these numbers on a label on the side of the air conditioner.



IMPORTANT SAFETY INFORMATION. READ ALL INSTRUCTIONS BEFORE USING.

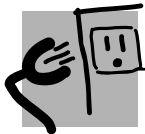
⚠ WARNING!

For your safety, the information in this manual must be followed to minimize the risk of fire, electric shock or personal injury.



SAFETY PRECAUTIONS

- Use this appliance only for its intended purpose as described in this Owner's Manual.
 - This air conditioner must be properly installed in accordance with the Installation Instructions before it is used.
 - Never unplug your air conditioner by pulling on the power cord. Always grip plug firmly and pull straight out from the receptacle.
 - Replace immediately all electric service cords that have become frayed or otherwise damaged. A damaged power supply cord must be replaced with a new power supply cord obtained from the manufacturer and not repaired. Do not use a cord that shows cracks or abrasion damage along its length or at either the plug or connector end.
 - Turn the unit **OFF** and unplug your air conditioner before making any repairs or cleaning.
- NOTE:** We strongly recommend that any servicing be performed by a qualified individual.
- For your safety...do not store or use combustible materials, gasoline or other flammable vapors or liquids in the vicinity of this or any other appliance.
 - All air conditioners contain refrigerants, which under federal law must be removed prior to product disposal. If you are getting rid of an old product with refrigerants, check with the company handling disposal about what to do.



HOW TO CONNECT ELECTRICITY

Do not, under any circumstances, cut or remove the third (ground) prong from the power cord. For personal safety, this appliance must be properly grounded.

The power cord of this appliance is equipped with a 3-prong (grounding) plug which mates with a standard 3-prong (grounding) wall outlet to minimize the possibility of electric shock hazard from this appliance.

Power cord includes a current interrupter device. A test and reset button is provided on the plug case. The device should be tested on a periodic basis by first pressing the **TEST** button and then the **RESET** button. If the **TEST** button does not trip or if the **RESET** button will not stay engaged, discontinue use of the air conditioner and contact a qualified service technician.

Have the wall outlet and circuit checked by a qualified electrician to make sure the outlet is properly grounded.

Where a 2-prong wall outlet is encountered, it is your personal responsibility and obligation to have it replaced with a properly grounded 3-prong wall outlet.

The air conditioner should always be plugged into its own individual electrical outlet which has a voltage rating that matches the rating plate.

This provides the best performance and also prevents overloading house wiring circuits which could cause a fire hazard from overheated wires.

See the Installation Instructions, *Electrical Requirements* section for specific electrical connection requirements.

⚠ WARNING!**USE OF EXTENSION CORDS**—115-Volt models only

Because of potential safety hazards under certain conditions, we strongly recommend against the use of an extension cord.

However, if you must use an extension cord, it is absolutely necessary that it be a UL-listed, 14 gauge, 3-wire grounding type appliance extension cord having a grounding type plug and outlet and that the electrical rating of the cord be 15 amperes (minimum) and 125 volts.

⚠ CAUTION:

DO NOT use an extension cord with any of the 230/208 volt models.

**USE OF ADAPTER PLUGS**—115-Volt models only

Because of potential safety hazards under certain conditions, we strongly recommend against the use of an adapter plug.

However, if you must use an adapter, where local codes permit, a **temporary connection** may be made to a properly grounded 2-prong wall outlet by use of a UL-listed adapter available at most local hardware stores.

The larger slot in the adapter must be aligned with the larger slot in the wall outlet to provide proper polarity in the connection of the power cord.

When disconnecting the power cord from the adapter, always hold the adapter in place with one hand while pulling the power cord plug with the other hand. If this is not done, the adapter ground terminal is very likely to break with repeated use.

If the adapter ground terminal breaks, **DO NOT USE** the air conditioner until a proper ground has been established.

Attaching the adapter ground terminal to a wall outlet cover screw does not ground the appliance unless the cover screw is metal, and not insulated, and the wall outlet is grounded through the house wiring. You should have the circuit checked by a qualified electrician to make sure the outlet is properly grounded.



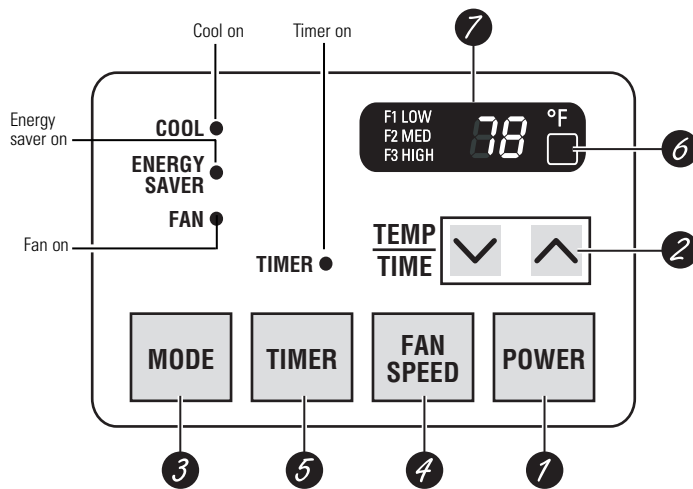
READ AND FOLLOW THIS SAFETY INFORMATION CAREFULLY.

SAVE THESE INSTRUCTIONS

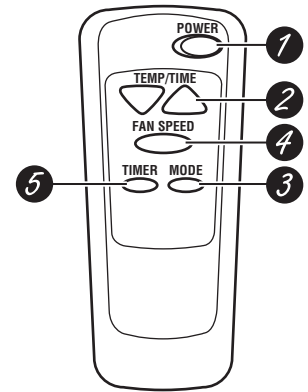
About the controls on the air conditioner.

Features and appearance may vary.

Lights next to the touch pads on the air conditioner control panel indicate the selected settings.



Air Conditioner Controls



Remote Control



Controls

- 1 ON/OFF Pad**
Turns air conditioner on and off.
- 2 TEMP/TIME Increase ▲ /Decrease ▼ Pads**
Use to set temperature when in **COOL** mode or the time when using the **TIMER** feature.
- 3 MODE**
Use to set the air conditioner to **COOL**, **ENERGY SAVER** or **FAN** mode.
- 4 FAN SPEED Pad**
Use to set the fan speed to **LOW (F1)**, **MED (F2)** or **HIGH (F3)**.
- 5 TIMER Pad**
ON—When the air conditioner is off, it can be set to automatically come on in 1 to 24 hours at its previous setting. Each touch of the **Increase ▲ /Decrease ▼** pads will set the timer in hours.
OFF—When the air conditioner is on, it can be set to automatically turn off in 1 to 24 hours. Each touch of the **Increase ▲ /Decrease ▼** pads will set the timer in hours.
To cancel the timer, press the **TIMER** pad until the display time disappears.
- 6 Remote Control Signal Receiver**
- 7 Display**
Shows the set temperature or time remaining on timer.

Power Outage Recovery Feature

In the case of a power outage or interruption, the unit will automatically re-start in the settings last used after the power is restored. If the **TIMER**

feature was set, it will resume its countdown. You may need to set a new time if desired.

Remote Control

- To ensure proper operation, aim the remote control at the signal receiver on the air conditioner.
- The remote control signal has a range of up to 21 feet.
- Make sure nothing is between the air conditioner and the remote control that could block the signal.
- Make sure batteries are fresh and installed correctly as indicated on the remote control.

COOL Mode

Use the **COOL** mode with **HIGH (F3)**, **MED (F2)** or **LOW (F1)** fan for cooling. Use the **Increase ▲ / Decrease ▼** pads to set the desired temperature between 60°F and 86°F in 1°F increments.

An electronic thermostat is used to maintain the room temperature. The compressor will cycle on and off to keep the room at the set level of comfort. Set the thermostat at a lower number and the indoor air will become cooler. Set the thermostat at a higher number and the indoor air will become warmer.

NOTE: If the air conditioner is off and is then turned on while set to a **COOL** setting or if turned from a fan setting to a **COOL** setting, it will take approximately 3 minutes for the compressor to start and cooling to begin.

Cooling Descriptions

For Normal Cooling—Select the **COOL** mode and **HIGH (F3)** or **MED (F2)** fan with a middle set temperature.

For Maximum Cooling—Select the **COOL** mode and **HIGH (F3)** fan with a lower set temperature.

For Quieter & Nighttime Cooling—Select the **COOL** mode and **LOW (F1)** fan with a middle set temperature.

NOTE: If you switch from a **COOL** setting to **OFF** or to a fan setting, wait at least 3 minutes before switching back to a **COOL** setting.

Energy Saver

The energy saver switch controls the fan.

ON—The fan and compressor cycle on and off together. This results in wider variations of room temperature and humidity. Normally used when the room is unoccupied. **NOTE:** The fan will continue to run for a short time after the compressor cycles off.

OFF—The fan runs all the time, while the compressor cycles on and off.

This switch must be set at **OFF** in order to use the fan settings (on the mode control).

FAN Mode

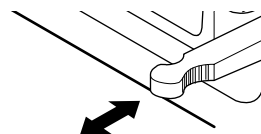
Use the **FAN** at **HIGH (F3)**, **MED (F2)** or **LOW (F1)** to provide air circulation and filtering without cooling.

Since fan only settings do not provide cooling, a temperature setting will not be displayed.

Vent Control

The vent control is located above the control panels.

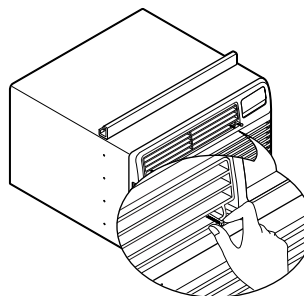
When set at **CLOSE**, only the air inside the room will be circulated and conditioned. When set at **OPEN**, some inside air is exhausted outside.



To open the vent, pull the lever toward you.
To close it, push it in.

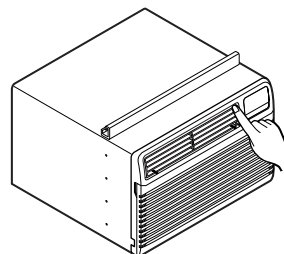
Air Direction—Side-to-Side

The side-to-side air direction is adjusted by moving the lever to the left or right.



Air Direction—Up and Down

Fingertip pressure on the horizontal louvers adjusts the air direction up or down.



Care and cleaning of the air conditioner.

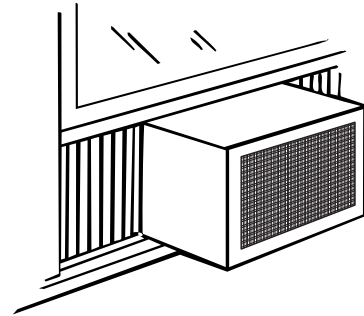
Grille and Case

Turn the air conditioner off and remove the plug from the wall outlet before cleaning.

To clean, use water and a mild detergent. Do not use bleach or abrasives.

Outdoor Coils

The coils on the outdoor side of the air conditioner should be checked regularly. If they are clogged with dirt or soot, they may be professionally cleaned.



Air Filter

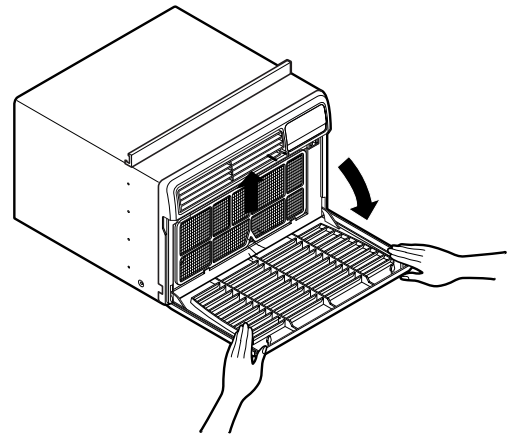
The air filter behind the front grille should be checked and cleaned at least every 30 days or more often if necessary.

To remove:

- 1 Open the inlet grille downward by pulling out the top corners of the inlet grille.
- 2 Pull up slightly on the filter to release it and pull it out.

Clean the filter with warm, soapy water. Rinse and let the filter dry before replacing it.

⚠ CAUTION: DO NOT operate the air conditioner without a filter because dirt and lint will clog it and reduce performance.



Installation Instructions

Air Conditioner

? Questions? Call 800.GE.CARES (800.432.2737) or Visit our Website at: ge.com



BEFORE YOU BEGIN

Read these instructions completely and carefully.

- **IMPORTANT** — Save these instructions for local inspector's use.
- **IMPORTANT** — Observe all governing codes and ordinances.
- **Note to Installer** – Be sure to leave these instructions with the Consumer.
- **Note to Consumer** – Keep these instructions for future reference.
- **Skill level** – Installation of this appliance requires basic mechanical skills.
- **Completion time** – Approximately 1 hour
- We recommend that two people install this product.
- Proper installation is the responsibility of the installer.
- Product failure due to improper installation is not covered under the Warranty.



ELECTRICAL REQUIREMENTS



Some models require a 115/120-volt a.c., 60 Hz grounded outlet protected with a 15-amp time delay fuse or circuit breaker.

The 3-prong grounding plug minimizes the possibility of electric shock hazard. If the wall outlet you plan to use is only a 2-prong outlet, it is your responsibility to have it replaced with a properly grounded 3-prong wall outlet.



Some models require 230/208-volt a.c., protected with a time delay fuse or circuit breaker. These models should be installed



on their own single branch circuit for best performance and to prevent overloading house or apartment wiring circuits, which could cause a possible fire hazard from overheating wires.

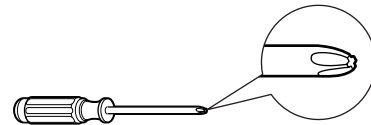
CAUTION:

Do not, under any circumstances, cut or remove the third (ground) prong from the power cord.

Do not change the plug on the power cord of this air conditioner.

Aluminum house wiring may present special problems—consult a qualified electrician.

TOOLS YOU WILL NEED



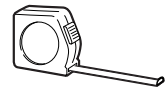
Phillips head screwdriver



Flat-blade screwdriver



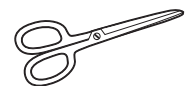
Pencil



Ruler or tape measure



Level

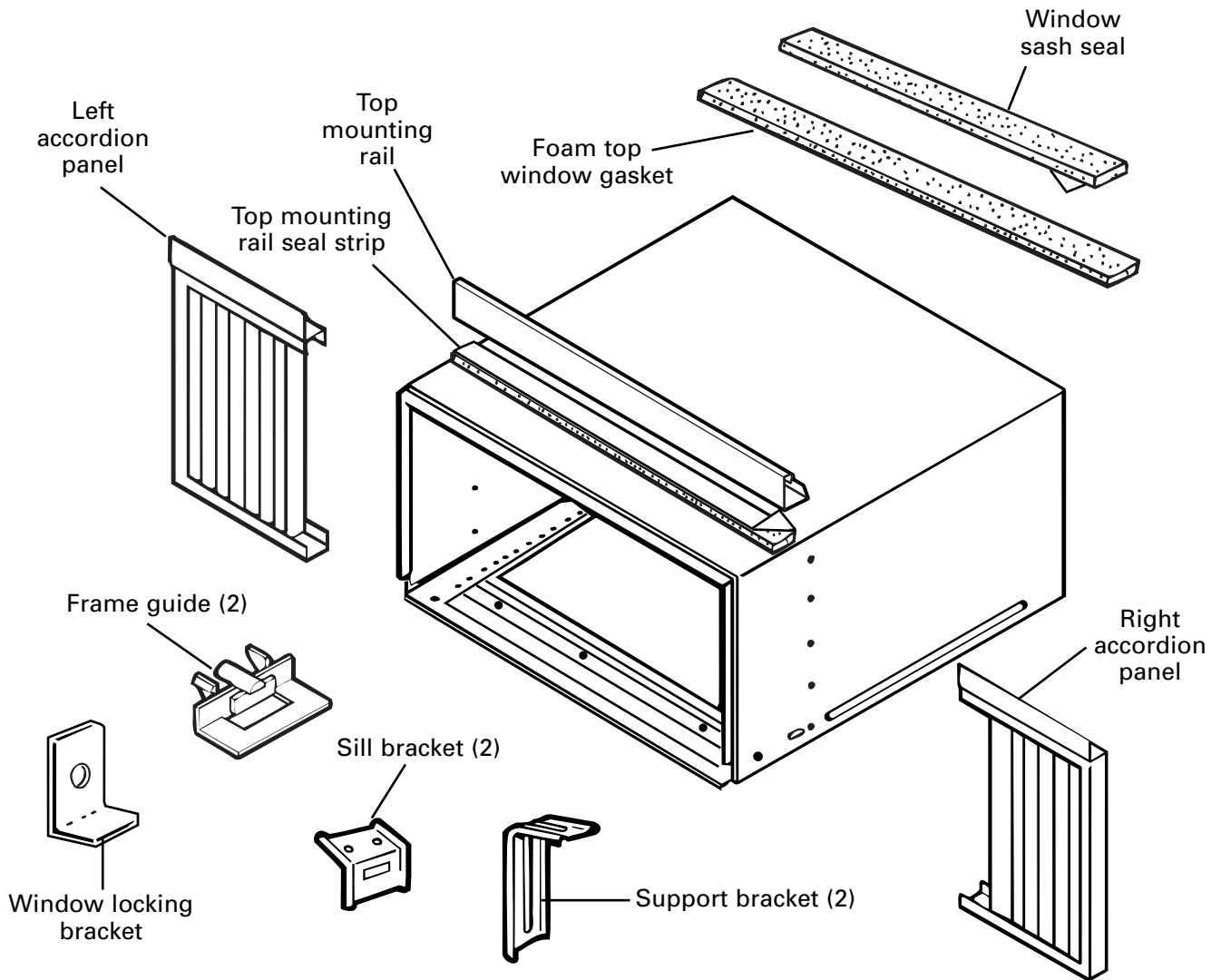


Scissors or knife

Power cord includes a current interrupter device. A test and reset button is provided on the plug case. The device should be tested on a periodic basis by first pressing the **TEST** button and then the **RESET** button. If the **TEST** button does not trip or if the **RESET** button will not stay engaged, discontinue use of the air conditioner and contact a qualified service technician.

Installation Instructions

PARTS INCLUDED (Appearance may vary)



Type A (14)



Type B (7)



Type C (5)



Type D (2)



Carriage Bolt (2)



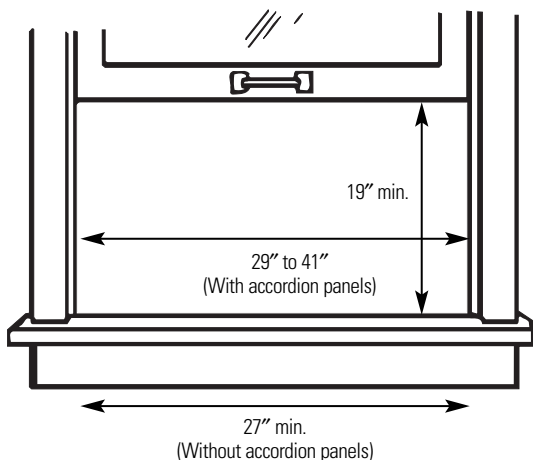
Lock Nut (4)



Installation Instructions

1 WINDOW REQUIREMENTS

- These instructions are for a standard double-hung window. You will need to modify them for other types of windows.
- The air conditioner can be installed without the accordion panels if needed to fit in a narrow window. See the window opening dimensions.
- All supporting parts must be secured to firm wood, masonry or metal.
- The electrical outlet must be within reach of the power cord.



2 STORM WINDOW REQUIREMENTS

A storm window frame will not allow the air conditioner to tilt toward the outside, and will keep it from draining properly. To adjust for this, attach a piece of wood to the stool.

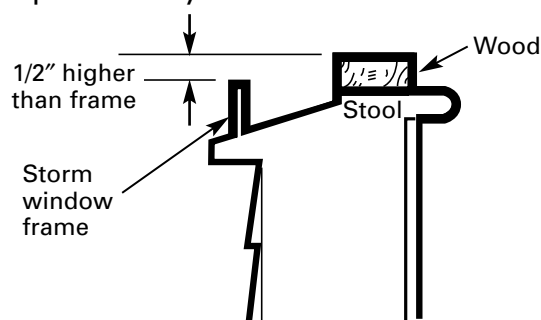
WOOD PIECES—

WIDTH: 2"

LENGTH: Long enough to fit inside the window frame.

THICKNESS: To determine the thickness, place a piece of wood on the stool to make it 1/2" higher than the top of the storm window frame.

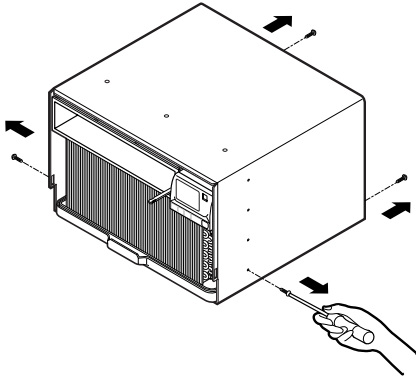
Attach securely with nails or screws provided by the installer.



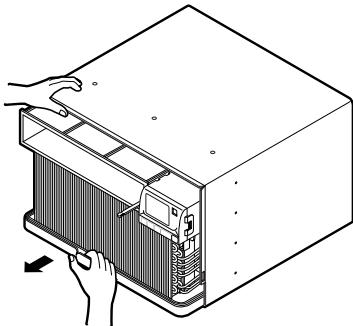
Installation Instructions

3 REMOVE THE AIR CONDITIONER FROM THE CASE

- A** Remove the 2 shipping screws from the back of the case.
- B** Remove the 2 screws on each side of the case. Keep these for later use.

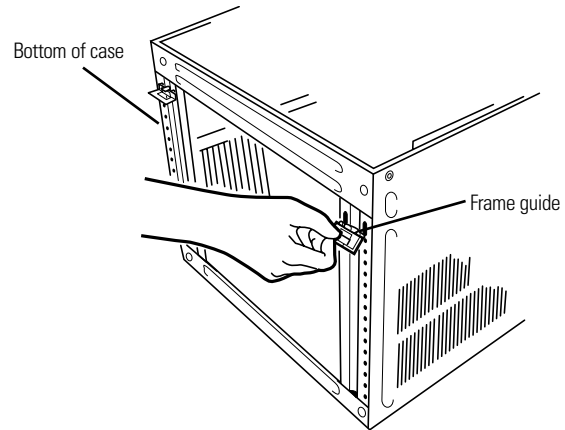


- C** Slide the air conditioner from the case by gripping the base pan handle and pulling forward while bracing the case.

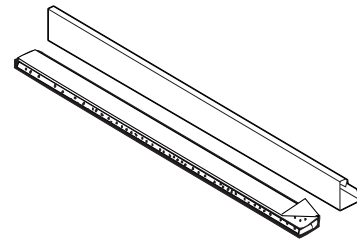


4 PREPARE THE WINDOW AND THE CASE (CONT.)

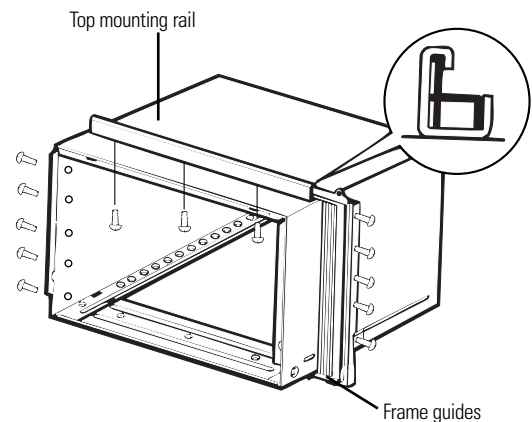
- B** Carefully insert the plastic frame guides into the bottom of the case on each side.



- C** Remove the backing from the top mounting rail seal strip and attach it to the bottom of the top mounting rail.

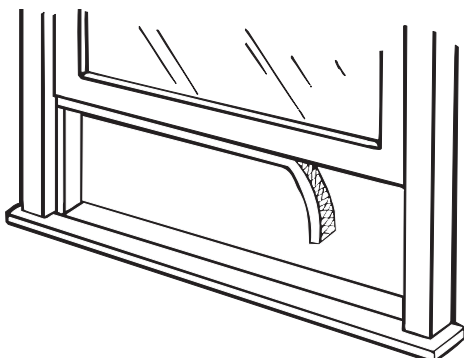


- D** Install the top mounting rail with 3 type A screws on the inside of the case. Insert the frames for the accordion panels into the top mounting rail and the frame guides. Attach the accordion panels to the side of the case using 5 type A screws on each side.



4 PREPARE THE WINDOW AND THE CASE

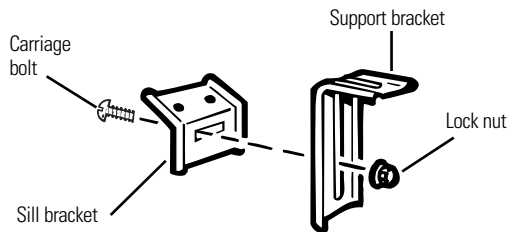
- A** Cut the window sash seal to the proper length. Peel off the backing and attach the seal to the underside of the window sash.



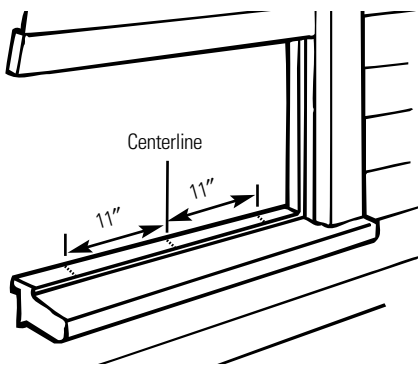
Installation Instructions

5 PREPARE THE WINDOW

- A** Loosely attach the sill brackets to the support brackets using the 2 carriage bolts and 2 lock nuts.

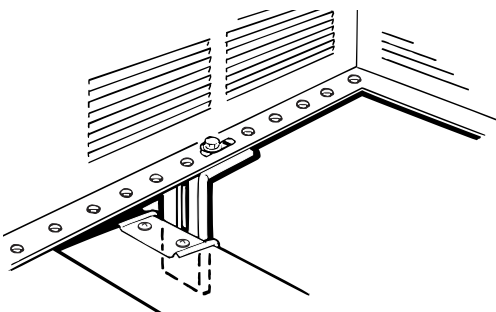


- B** Open the window and mark the centerline of the window stool. Measure and mark 11" to the left and right of the centerline.



6 INSTALL THE CASE IN THE WINDOW

- A** Align the inside edge of the sill brackets with the 11" marks from the centerline and attach them to the window sill using 2 type B screws on each side.
- B** Carefully place the case on the window stool aligning the center front on the bottom with the centerline marked on the window stool. Close the window making sure the window sash is behind the top mounting rail.
- C** Using the larger diameter hole in the case, attach the brackets to the case using two type D screws and 2 lock nuts on each side.

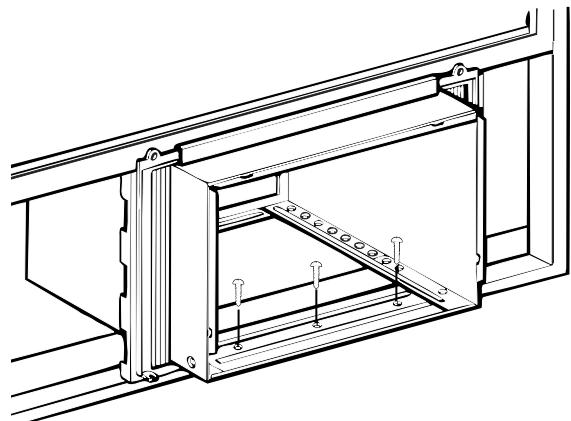


6 INSTALL THE CASE IN THE WINDOW (CONT.)

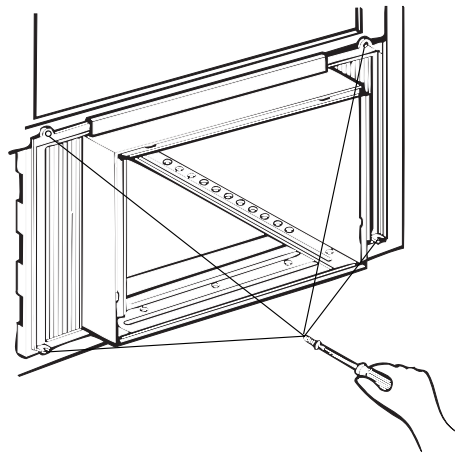
- D** Adjust the carriage bolts and the lock nuts in each support so that the case is installed with a slight tilt to the outside. Use a level; about 1/3 bubble will be the correct case slant to the outside. Tighten the bolts.

CAUTION: DO NOT drill a hole in the base pan. The unit is designed to operate with approximately 1/2" of water in the base pan.

- E** Secure the case to the window stool by using 3 type B screws.



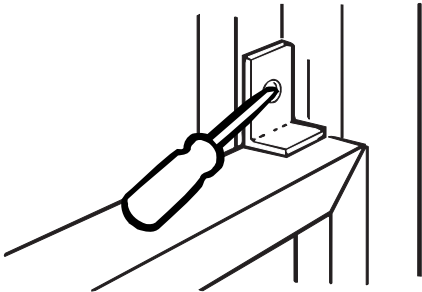
- F** Pull the accordion panels to each window sash track. Attach them on each side to the window sash and the window stool using 4 type C screws.



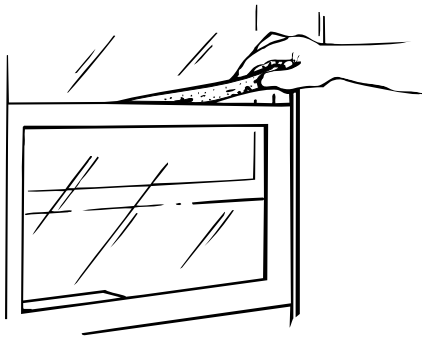
Installation Instructions

7 INSTALL THE WINDOW LOCKING BRACKET AND THE FOAM TOP WINDOW GASKET

- A** Attach a support bracket with a Type C screw.

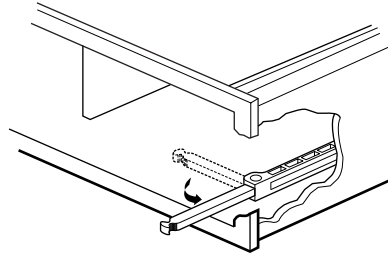


- B** Cut the foam top window gasket to the window width.
- C** Stuff the foam between the glass and the window to prevent air and insects from getting into the room.

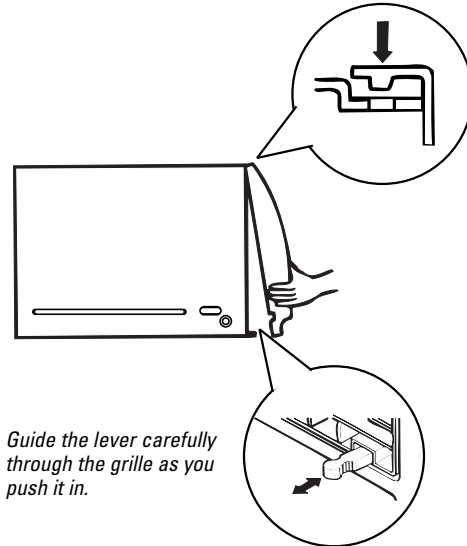


8 INSTALL THE AIR CONDITIONER IN THE CASE (CONT.)

- B** Before installing the front grille, pull out the vent control lever located above the unit control knobs, as shown.



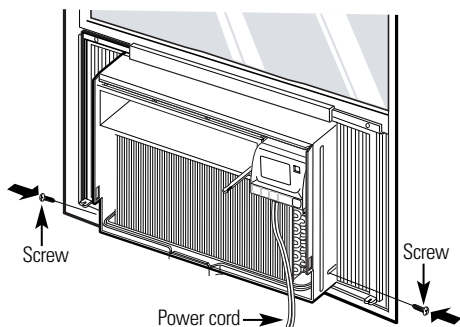
- C** Attach the front grille to the case by inserting the tabs on the grille into the slots on the front of the case. Push the grille in until it snaps into place.



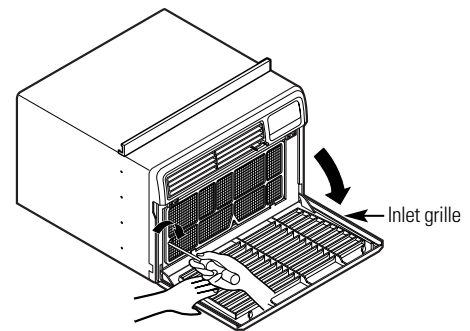
Guide the lever carefully through the grille as you push it in.

8 INSTALL THE AIR CONDITIONER IN THE CASE

- A** Slide the air conditioner into the case. Reinstall the 2 screws removed earlier on each side of the case.



- D** Lower the inlet grille and secure the front frame with a type A screw through the front grille. Raise the inlet grille back into place.





Troubleshooting Tips.

Save time and money! Review the chart below first and you may not need to call for service.

Problem	Possible Causes	What To Do
Air conditioner does not start	The air conditioner is unplugged.	• Make sure the air conditioner plug is pushed completely into the outlet.
	The fuse is blown/circuit breaker is tripped.	• Check the house fuse/circuit breaker box and replace the fuse or reset the breaker.
	Power failure.	• The unit will automatically re-start in the settings last used after the power is restored. • There is a protective time delay (approximately 3 minutes) to prevent tripping of the compressor overload. For this reason, the unit may not start normal cooling for 3 minutes after it is turned back on.
	The current interrupter device is tripped.	• Press the RESET button located on the power cord plug. • If the RESET button will not stay engaged, discontinue use of the air conditioner and contact a qualified service technician.
Air conditioner does not cool as it should	Airflow is restricted.	• Make sure there are no curtains, blinds or furniture blocking the front of the air conditioner.
	The temperature control may not be set correctly.	• In COOL mode, press the Decrease ▼ pad.
	The air filter is dirty.	• Clean the filter at least every 30 days. See the <i>Operating Instructions</i> section.
	The room may have been hot.	• When the air conditioner is first turned on, you need to allow time for the room to cool down.
	Cold air is escaping.	• Check for open furnace floor registers and cold air returns. • Set the air conditioner's vent to the closed position.
	Cooling coils have iced up.	• See " Air conditioner freezing up " below.
Air conditioner freezing up	Ice blocks the air flow and stops the air conditioner from cooling the room.	• Set the controls at HIGH (F3) FAN or HIGH (F3) COOL and set the thermostat to a higher temperature.
The remote control is not working	The batteries are inserted incorrectly.	• Check the position of the batteries. They should be inserted in the opposite (+) and (-) direction.
	The batteries may be dead.	• Replace the batteries.
Water drips outside	Excessively hot and humid weather.	• This is normal.
Water drips indoors	The air conditioner is not tilted to the outside.	• For proper water disposal, make sure the air conditioner slants slightly from the case front to the rear.
Water collects in base pan	Moisture is removed from indoor air and drains into rear of a cabinet where a fan blows it against the outdoor condenser coil.	• This is normal for a short period in areas with little humidity; normal for a longer period in very humid areas.
TIMER feature not working properly	A power outage or interruption occurred.	• In the case of a power outage or interruption, the unit TIMER feature will reset to the original setting. You may need to set a new time if desired.

Troubleshooting tips.

Normal Operating Sounds

- You may hear a pinging noise caused by water being picked up and thrown against the condenser on rainy days or when the humidity is high. This design feature helps remove moisture and improve efficiency.
- You may hear the thermostat click when the compressor cycles on and off.
- Water will collect in the base pan during high humidity or on rainy days. The water may overflow and drip from the outdoor side of the unit.
- The fan may run even when the compressor does not.

GE Service Protection Plus™

GE, a name recognized worldwide for quality and dependability, offers you Service Protection Plus™—comprehensive protection on all your appliances—**No Matter What Brand!**

Benefits Include:

- Backed by GE
- All brands covered
- Unlimited service calls
- All parts and labor costs included
- No out-of-pocket expenses
- No hidden deductibles
- One 800 number to call

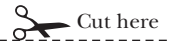
***We'll Cover Any Appliance.
Anywhere. Anytime.****

You will be completely satisfied with our service protection or you may request your money back on the remaining value of your contract. No questions asked. It's that simple.

Protect your refrigerator, dishwasher, washer and dryer, range, TV, VCR and much more—**any brand!** Plus there's no extra charge for emergency service and low monthly financing is available. Even icemaker coverage and food spoilage protection is offered. You can rest easy, knowing that all your valuable household products are protected against expensive repairs.

Place your confidence in GE and call us in the U.S. toll-free at **800.626.2224** for more information.

*All brands covered, up to 20 years old, in the continental U.S.



Please place in envelope and mail to:

General Electric Company
Warranty Registration Department
P.O. Box 32150
Louisville, KY 40232-2150

Consumer Product Ownership Registration

Dear Customer:

Thank you for purchasing our product and thank you for placing your confidence in us. We are proud to have you as a customer!

Follow these three steps to protect your new appliance investment:

1

Complete and mail your Consumer Product Ownership Registration today. Have the peace of mind of knowing we can contact you in the unlikely event of a safety modification.

2

After mailing the registration below, store this document in a safe place. It contains information you will need should you require service. Our service number is 800.GE.CARES (800.432.2737).


3

Read your Owner's Manual carefully. It will help you operate your new appliance properly.

Model Number

Serial Number

Important: If you did not get a registration card with your product, detach and return the form below to ensure that your product is registered, or register online at ge.com.

 Cut here

Consumer Product Ownership Registration



Model Number

Serial Number

Mr. Ms. Mrs. Miss

First Name

Last Name

Street Address

Apt. #

E-mail Address*

City

State

Zip Code

Date Placed In Use Month

Day

Year

Phone Number



GE Consumer & Industrial Appliances
General Electric Company
Louisville, KY 40225
ge.com

* Please provide your e-mail address to receive, via e-mail, discounts, special offers and other important communications from GE Appliances (GEA).

Check here if you do not want to receive communications from GEA's carefully selected partners.

FAILURE TO COMPLETE AND RETURN THIS CARD DOES NOT DIMINISH YOUR WARRANTY RIGHTS.

For information about GEA's privacy and data usage policy, go to ge.com and click on "Privacy Policy" or call 800.626.2224.

GE Air Conditioner Warranty.



All warranty service provided by our Factory Service Centers, or an authorized Customer Care® technician. To schedule service, on-line, 24 hours a day, visit us at ge.com, or call 800.GE.CARES (800.432.2737). Please have serial number and model number available when calling for service.

Staple your receipt here.
Proof of the original purchase date is needed to obtain service under the warranty.

For The Period Of:	GE Will Replace:
One Year From the date of the original purchase	Any part of the air conditioner which fails due to a defect in materials or workmanship. During this limited one-year warranty , GE will also provide, free of charge , all labor and related service to replace the defective part.
Five Years From the date of the original purchase	Any part of the sealed refrigerating system (the compressor, condenser, evaporator and all connecting tubing) which fails due to a defect in materials or workmanship. During this four-year limited additional warranty , GE will also provide, free of charge , all labor and related service to replace the defective part.

What Is Not Covered:

- Service trips to your home to teach you how to use the product.
- Improper installation, delivery or maintenance. If you have an installation problem, or if the air conditioner is of improper cooling capacity for the intended use, contact your dealer or installer. You are responsible for providing adequate electrical connecting facilities.
- Failure of the product resulting from modifications to the product or due to unreasonable use including failure to provide reasonable and necessary maintenance.
- In commercial locations labor necessary to move the unit to a location where it is accessible for service by an individual technician.
- Replacement of house fuses or resetting of circuit breakers.
- Failure due to corrosion on models not corrosion-protected.
- Damage to the product caused by improper power supply voltage, accident, fire, floods or acts of God.
- Incidental or consequential damage caused by possible defects with this air conditioner.
- Damage caused after delivery.
- Product not accessible to provide required service.

EXCLUSION OF IMPLIED WARRANTIES—Your sole and exclusive remedy is product repair as provided in this Limited Warranty. Any implied warranties, including the implied warranties of merchantability or fitness for a particular purpose, are limited to one year or the shortest period allowed by law.

This warranty is extended to the original purchaser and any succeeding owner for products purchased for home use within the USA. If the product is located in an area where service by a GE Authorized Servicer is not available, you may be responsible for a trip charge or you may be required to bring the product to an Authorized GE Service location for service. In Alaska, the warranty excludes the cost of shipping or service calls to your home.

Some states do not allow the exclusion or limitation of incidental or consequential damages. This warranty gives you specific legal rights, and you may also have other rights which vary from state to state. To know what your legal rights are, consult your local or state consumer affairs office or your state's Attorney General.

Warrantor: General Electric Company, Louisville, KY 40225

Safety Instructions

Operating Instructions

Installation Instructions

Troubleshooting Tips

Consumer Support

Consumer Support.



GE Appliances Website

ge.com

Have a question or need assistance with your appliance? Try the GE Appliances Website 24 hours a day, any day of the year! For greater convenience and faster service, you can now download Owner's Manuals, order parts, catalogs, or even schedule service on-line. You can also "Ask Our Team of Experts™" your questions, and so much more...



Schedule Service

ge.com

Expert GE repair service is only one step away from your door. Get on-line and schedule your service at your convenience 24 hours any day of the year! Or call 800.GE.CARES (800.432.2737) during normal business hours.



Real Life Design Studio

ge.com

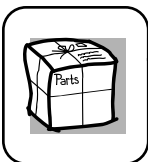
GE supports the Universal Design concept—products, services and environments that can be used by people of all ages, sizes and capabilities. We recognize the need to design for a wide range of physical and mental abilities and impairments. For details of GE's Universal Design applications, including kitchen design ideas for people with disabilities, check out our Website today. For the hearing impaired, please call 800.TDD.GEAC (800.833.4322).



Extended Warranties

ge.com

Purchase a GE extended warranty and learn about special discounts that are available while your warranty is still in effect. You can purchase it on-line anytime, or call 800.626.2224 during normal business hours. GE Consumer Home Services will still be there after your warranty expires.

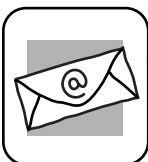


Parts and Accessories

ge.com

Individuals qualified to service their own appliances can have parts or accessories sent directly to their homes (VISA, MasterCard and Discover cards are accepted). Order on-line today, 24 hours every day or by phone at 800.626.2002 during normal business hours.

Instructions contained in this manual cover procedures to be performed by any user. Other servicing generally should be referred to qualified service personnel. Caution must be exercised, since improper servicing may cause unsafe operation.



Contact Us

ge.com

If you are not satisfied with the service you receive from GE, contact us on our Website with all the details including your phone number, or write to: General Manager, Customer Relations
GE Appliances, Appliance Park
Louisville, KY 40225



Register Your Appliance

ge.com

Register your new appliance on-line—at your convenience! Timely product registration will allow for enhanced communication and prompt service under the terms of your warranty, should the need arise. You may also mail in the pre-printed registration card included in the packing material.



Acondicionadores de Aire

Instrucciones de seguridad . . . 2, 3

Instrucciones de operación . . . 4, 5

Cuidado y limpieza

Bobinas para exteriores 6

Filtro de aire 6

Rejilla y caja 6

Instrucciones de instalación

Instalación en ventanas 8-12

Preparándose para instalar el acondicionador de aire 7

Solucionar problemas 13-15

Sonidos normales de operación 15

Apoyo al consumidor

Apoyo al consumidor 18

Garantía 17

Manual del propietario e Instrucciones de Instalación

AGM24

Escriba los números de modelo y serie aquí:

de Modelo _____

de Serie _____

Puede encontrar estos números en una etiqueta en el costado del acondicionador de aire.

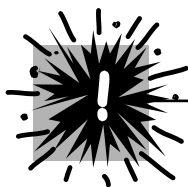


INFORMACIÓN IMPORTANTE DE SEGURIDAD. LEA TODAS LAS INSTRUCCIONES ANTES DE USAR.

Seguridad

⚠ ¡ADVERTENCIA!

Por su seguridad, se debe seguir la información en este manual para minimizar el riesgo de incendios, descargas eléctricas o lesiones personales.

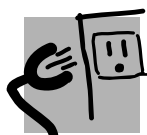


PRECAUCIONES DE SEGURIDAD

- Use este electrodoméstico solamente para el propósito determinado según se describe en el Manual del propietario.
- Este acondicionador de aire debe instalarse correctamente de acuerdo con las Instrucciones de instalación antes de su uso.
- Nunca desenchufe su acondicionador de aire tirando del cable eléctrico. Siempre agarre firmemente el enchufe y tire de él directamente hacia afuera.
- Reemplace inmediatamente todos los cables eléctricos que se hayan pelado o que se hayan dañado de alguna otra manera. Un cable de corriente dañado no debe repararse, sino que debe ser sustituido por uno nuevo que se adquiera del fabricante. No use un cable eléctrico que muestre evidencias de deterioro, o daños de abrasión en su superficie en alguno de sus extremos.
- Apague la unidad y desenchufe su acondicionador de aire antes de hacer cualquier reparación o limpiar.
- **NOTA:** Recomendamos enérgicamente que cualquier servicio llevado a cabo en este equipo lo realice un individuo calificado.
- Por su seguridad...no almacene ni use materiales combustibles, gasolina u otros vapores o líquidos inflamables en la proximidad de éste o algún otro electrodoméstico.
- Todos los acondicionadores de aire contiene refrigerantes, los que por Ley Federan deben ser removidos antes de desecharlos. Si usted planea deshacerse de algún producto que contenga refrigerantes, póngase en contacto con la compañía que se encarga de recoger su basura para que le indiquen qué hacer.

Operación

Instalación



CÓMO CONECTAR LA ELECTRICIDAD

Bajo ninguna circunstancia, corte o remueva la tercera púa (tierra) del cable eléctrico. En pos de la seguridad personal, este electrodoméstico debe siempre conectarse a tierra.

El cable eléctrico de este electrodoméstico está equipado con un enchufe de tres púas (tierra) que combina con un tomacorriente estándar de tres tomas de pared para minimizar la posibilidad de una descarga eléctrica.

El cable de alimentación incluye un dispositivo para interrupción de corriente. Se incluye un botón de prueba y de reinicio en el dispositivo. El dispositivo debe ponerse a prueba periódicamente: primero se presiona el botón de **TEST** (prueba) y luego **RESET** (reinicio). Si el botón **TEST** no se dispara o si el botón **RESET** no queda enganchado, deje de utilizar el acondicionador de aire y comuníquese con un técnico calificado.

Pida a un técnico que inspeccione el tomacorriente y el circuito para cerciorarse de que el tomacorriente está conectado a tierra de la manera apropiada.

Donde exista un tomacorriente de dos tomas, es su responsabilidad y obligación personal hacer que dicho tomacorriente sea reemplazado por uno de tres tomas con conexión a tierra.

El acondicionador de aire debería siempre estar conectado a un tomacorriente individual con su circuito de voltaje correspondiente.

Esto proporciona el mayor rendimiento y además evita que los circuitos del resto de la casa se sobrecarguen, lo cual podría causar incendios por el sobrecalentamiento del cableado.

Ver las Instrucciones de instalación, en la sección **Requisitos Eléctricos** para los requisitos específicos de conexión.

Solucionar problemas

Apoyo al consumidor

⚠ ¡ADVERTENCIA!



USO DE CABLES DE EXTENSIÓN—Modelos de 115 voltios solamente

Debido al potencial de riesgos de seguridad bajo ciertas condiciones, enérgicamente recomendamos contra el uso de cables de extensión.

Sin embargo, si usted se ve en la necesidad de usar un cable eléctrico de extensión, es absolutamente necesario que el mismo esté listado bajo UL, sea calibre 14, del tipo de 3 tomas con conexión a tierra para electrodomésticos y el índice eléctrico debe ser de 15 amperios (mínimo) y 125 voltios.

⚠ PRECAUCIÓN:

NO USE un cable de extensión con ninguno de los modelos de 230/208 voltios.



USO DE ENCHUFES ADAPTADORES—Modelos de 115 voltios solamente

Debido al potencial de riesgos de seguridad bajo ciertas condiciones, enérgicamente recomendamos contra el uso de enchufes adaptadores.

Sin embargo, si usted se ve en la necesidad de usar un adaptador, donde los códigos legales locales lo permitan, puede hacer una **conexión temporal** a un interruptor de 2 tomas siempre que se use un tomacorriente listado UL disponible en la mayoría de las ferreterías.

La ranura mayor en el adaptador debe estar alineada con la púa mayor en la pared para proporcionar una polaridad apropiada en la conexión del cable eléctrico.

Cuando se disponga a desconectar el cable eléctrico del adaptador, siempre sostenga el adaptador en su lugar con una mano mientras tira del cable eléctrico con la otra mano. Si no hace esto, la terminal de tierra del adaptador podría romperse después de que este proceso se repita varias veces.

Si se rompe el terminal de conexión a tierra del adaptador, **NO USE** el acondicionador de aire hasta que la conexión a tierra se haya restablecido.

Unir el terminal de conexión a tierra del adaptador a un tornillo de la cubierta en la pared no conecta a tierra el electrodoméstico apropiadamente a no ser que el tornillo de la cubierta sea metálico y no esté aislado, y el tomacorriente de la casa esté apropiadamente conectado a tierra a través del cableado de la casa. Haga que un técnico calificado inspeccione el circuito de la casa para cerciorarse que está conectado a tierra apropiadamente.



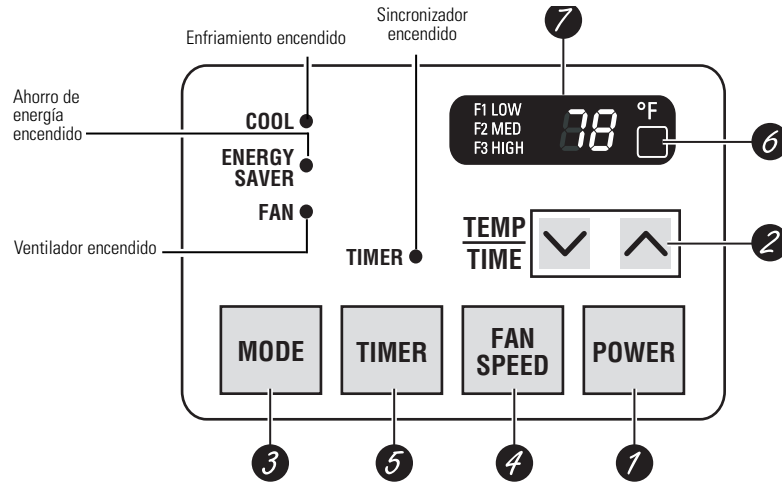
LEA Y SIGA ESTAS INSTRUCCIONES DE SEGURIDAD CUIDADOSAMENTE.

GUARDE ESTAS INSTRUCCIONES

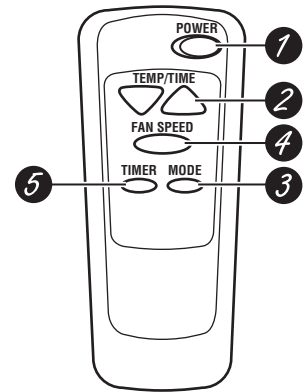
Acerca de los controles en el acondicionador de aire.

Las funciones y el aspecto pueden variar.

Las luces próximas a las teclas de toque en el panel de control del acondicionador de aire indican los ajustes seleccionados.



Controles del acondicionador de aire



Control remoto



Controles

- 1 **ON/OFF (ENCENDIDO/APAGADO)**
Apaga y prende el acondicionador de aire.
- 2 **Teclas de Aumentar ▲ /Reducir ▼ de TEMP/TIME (TEMPERATURA/TIEMPO)**
Usado para ajustar la temperatura cuando se encuentre en el modo **COOL (FRÍO)** o el tiempo cuando se usa la función del **SINCRONIZADOR**.
- 3 **MODO**
Usado para ajustar el acondicionador de aire al modo **COOL (FRÍO)**, **ENERGY SAVER (AHORRO DE ENERGÍA)** o **FAN (VENTILADOR)**.
- 4 **FAN SPEED (VELOCIDAD del VENTILADOR)**
Usado para ajustar la velocidad del ventilador a **LOW (F1) (BAJO)**, **MED (F2)** o **HIGH (F3) (ALTO)**.
- 5 **TIMER (SINCRONIZADOR) ON (ENCENDIDO)**—Cuando el acondicionador de aire está apagado, puede ajustarse para que se encienda automáticamente dentro

de 1 a 24 horas en el nivel previo. Cada toque de las teclas **Aumentar ▲ /Reducir ▼** ajustará el tiempo en horas.

OFF (APAGADO)—Cuando el acondicionador de aire está encendido, puede ajustarse para que se apague automáticamente dentro de 1 a 24 horas. Cada toque de las teclas **Aumentar ▲ /Reducir ▼** ajustará el tiempo en horas.

Para cancelar el sincronizador, presione la tecla **TIMER (SINCRONIZADOR)** hasta que el tiempo en la pantalla desaparezca.

- 6 **Receptor de la señal del control remoto**

- 7 **Pantalla**
Muestra la temperatura ajustada o el tiempo restante en el sincronizador.

Función de recuperación de pérdida de energía

En caso de la pérdida de la energía o interrupción, la unidad reiniciará automáticamente en las funciones de la última vez que fue usado una vez la energía sea restablecida. Si la función del

SINCRONIZADOR estaba definida, continuará la cuenta regresiva. Es posible que usted necesite ajustar un tiempo nuevo si así lo desea.

Control remoto

- Para garantizar una operación apropiada, oriente el control remoto hacia el receptor de señal del acondicionador de aire.
- El receptor de señal tiene un rango máximo de 21 pies.
- Cerciérese de que no haya nada entre el acondicionador de aire y el control remoto que pueda bloquear la señal.
- Cerciérese de que las baterías sean frescas y se instalen correctamente según se indica en el control remoto.

Modo COOL (FRÍO)

Use el modo **COOL** con ventilador **HIGH (F3) (ALTO)**, **MED (F2) (MEDIO)** o **LOW (F1) (BAJO)** para enfriar. Use las teclas de **Aumentar ▲ / Reducir ▼** para ajustar a la temperatura deseada entre 60°F y 86°F en incrementos de 1°F.

Se usa un termostato electrónico para mantener la temperatura de la habitación. El compresor hará ciclo entre apagado y encendido para mantener la habitación a la temperatura deseada. Ajuste el termostato a un número menor y el aire interno se enfriará más. Si lo ajusta a un número mayor, la temperatura del aire interno se calentará más.

NOTA: Si el acondicionador de aire está apagado y luego se enciende mientras está ajustado en un ajuste **COOL (FRÍO)** o si se cambia de un ajuste de ventilador a uno de **COOL (FRÍO)**, tomará aproximadamente 3 minutos para que el compresor comience a enfriar otra vez.

Descripciones de enfriamiento

Para enfriamiento normal—Seleccione el modo de ventilador **COOL (FRÍO)** y **HIGH (F3) (ALTO)** o **MED (F2) (MEDIO)** con una temperatura de ajuste media.

Para enfriamiento máximo—Seleccione el modo de ventilador **COOL** y **HIGH F3 (ALTO)** con una temperatura de ajuste menor.

Para enfriamiento silencioso y enfriamiento nocturno—Seleccione el modo de ventilador **COOL** y **LOW (F1) (BAJO)** con una temperatura de ajuste media.

NOTA: Si cambia de un ajuste **COOL (FRÍO)** a **OFF (APAGADO)** o a un ajuste de ventilador, espere aproximadamente 3 minutos antes de cambiar otra vez al ajuste de **COOL (FRÍO)**.

Ahorro de energía

El interruptor de ahorro de energía controla el ventilador.

ON (ENCENDIDO)—El ventilador y el compresor hacen ciclo entre encendido y apagado. Esto da como resultado mayores variaciones de temperaturas y humedad en la habitación. Normalmente este es usado cuando la habitación no está siendo ocupada. **NOTA:** El ventilador continuará funcionando por un período de tiempo corto

después que el compresor hace el ciclo de apagado.

OFF (APAGADO)—El ventilador es accionado todo el tiempo, mientras el compresor hace ciclo entre apagado y encendido.

Este interruptor debe quedar ajustado a **OFF (APAGADO)** para poder usar los ajustes del ventilador (en el modelo de control).

Modo de FAN (Ventilador)

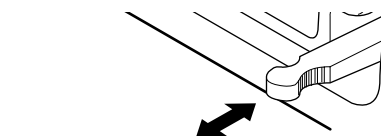
Use el **FAN (Ventilador)** en **High (F3) (ALTO)**, **MED (F2) (MEDIO)** o **LOW (F1) (BAJO)** para proporcionar circulación de aire y filtración sin enfriamiento.

Debido a que los niveles de ventilador únicamente no proporcionan enfriamiento, el nivel de temperatura no se muestra en la pantalla.

Control de la ventilación

El control de ventilación está localizado encima de los paneles de control.

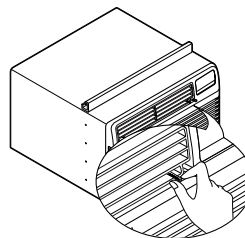
Cuando está ajustado en **CLOSE (CERRADO)**, solamente el aire en el interior de la habitación circulará y se acondicionará. Cuando está ajustado en **OPEN (ABIERTO)**, un poco del aire interno es expelido hacia afuera.



Para abrir la rejilla, tire de la palanca hacia usted. Para cerrarla, empujela hacia adentro.

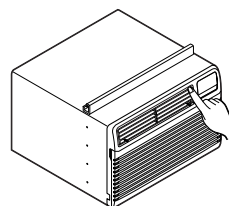
Dirección del aire—de lado a lado

La dirección de lado a lado del aire es ajustada moviendo la palanca hacia la derecha o izquierda.



Dirección del aire—hacia arriba y hacia abajo

Una presión sencilla con los dedos en las parrillas horizontales ajustará la dirección del aire hacia arriba o hacia abajo.



Cuidado y limpieza del acondicionador de aire.

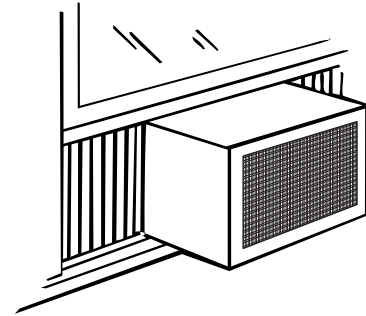
Rejilla y caja

Apague el acondicionador de aire y retire el enchufe del tomacorriente de la pared antes de limpiar.

Para limpiar, use agua y un detergente suave. No use cloro o materiales abrasivos.

Bobinas para exteriores

Se deben inspeccionar con frecuencia las bobinas en el lado exterior del acondicionador de aire. Si las mismas están obstruidas con suciedad u hollín, podrían limpiarse profesionalmente.



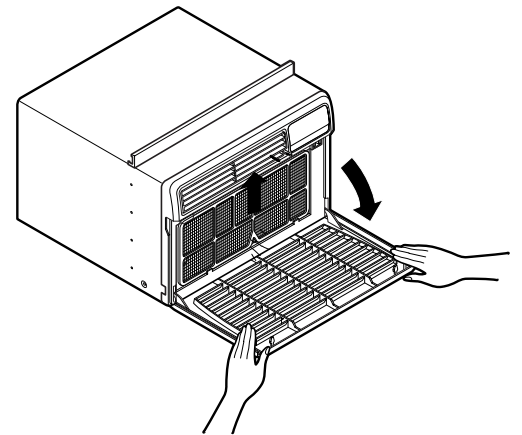
Filtro de aire

El filtro de aire detrás de la rejilla frontal debe inspeccionarse y limpiarse por lo menos cada 30 días o más a menudo si fuese necesario.

Para retirarlo:

- 1 Abra la rejilla de entrada hacia abajo tirando de las esquinas superiores de la rejilla de entrada.
- 2 Levante ligeramente sobre el filtro para liberarlo y extráigalo.

Limpie el filtro con agua tibia y jabón. Enjuáguelo y permita que se seque antes de colocarlo otra vez en su lugar.



⚠ PRECAUCIÓN: NO OPERE el acondicionador de aire sin el filtro debido a que la suciedad y las pelusas lo obstruirán y reducirán su rendimiento.

Instrucciones de instalación

Acondicionador de aire

? ¿Preguntas? Llame 800.GE.CARES (800.432.2737) o Visite nuestra página en la red en: ge.com



ANTES DE INICIAR

Lea estas instrucciones completa y cuidadosamente

- **IMPORTANTE** — Guarde estas instrucciones para uso del inspector local.
- **IMPORTANTE** — Observe todos los códigos y órdenes de ley.
- **Nota al instalador** – Asegúrese de dejar estas instrucciones con el consumidor.
- **Nota al consumidor** – Conserve estas instrucciones para referencia futura.
- **Nivel de destreza** – La instalación de este aparato requiere de destrezas mecánicas básicas.
- **Tiempo de ejecución** – Aprox. 1 hora
- Recomendamos dos personas para la instalación de este producto.
- La instalación apropiada es la responsabilidad del instalador.
- La falla del producto debido a una instalación inadecuada no está cubierta por la garantía.



PRECAUCIÓN:

Bajo ninguna circunstancia corte o remueva la tercera púa (conexión a tierra) del cable eléctrico.

No cambie el enchufe en el cable eléctrico de este acondicionador de aire.

Los cables caseros de aluminio podrían presentar problemas especiales. Consulte a un técnico electricista calificado.



REQUISITOS ELÉCTRICOS



Algunos modelos requieren tomacorrientes de 115/120 voltios de corriente alterna y 60 Hz conectados a tierra, protegidos con un fusible de dilatación de tiempo de 15 amperios o un cortacircuitos.

El enchufe de tres púas con conexión a tierra minimiza la posibilidad de descargas eléctricas. Si el tomacorriente de la pared que usted planea usar solamente tiene 2 tomas, es su responsabilidad hacer que un técnico lo reemplace por uno de tres tomas con conexión a tierra.



Algunos modelos requieren 230/208 voltios, de corriente alterna, protegidos por un fusible de dilatación de tiempo o un cortacircuitos. Estos modelos deberían instalarse en un ramal exclusivo del circuito para un

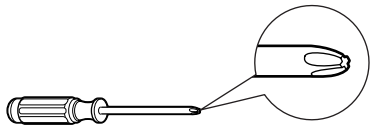


rendimiento más notable y para prevenir sobrecargas en los circuitos de cableados de su casa o apartamento, lo cual podría representar un riesgo de incendio por el sobrecalentamiento de los alambres.

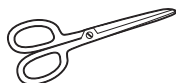
El cable de alimentación incluye un dispositivo para interrupción de corriente. Se incluye un botón de prueba y de reinicio en el dispositivo. El dispositivo debe ponerse a prueba periódicamente: primero se presiona el botón de **TEST** (prueba) y luego **RESET** (reinicio). Si el botón **TEST** no se dispara o si el botón **RESET** no queda enganchado, deje de utilizar el acondicionador de aire y comuníquese con un técnico calificado.

Instrucciones de instalación

HERRAMIENTAS QUE NECESITARÁ



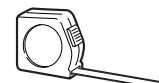
Un destornillador de estrella



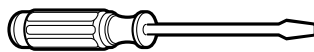
Tijeras o cuchilla



Nivel



Una regla o cinta métrica

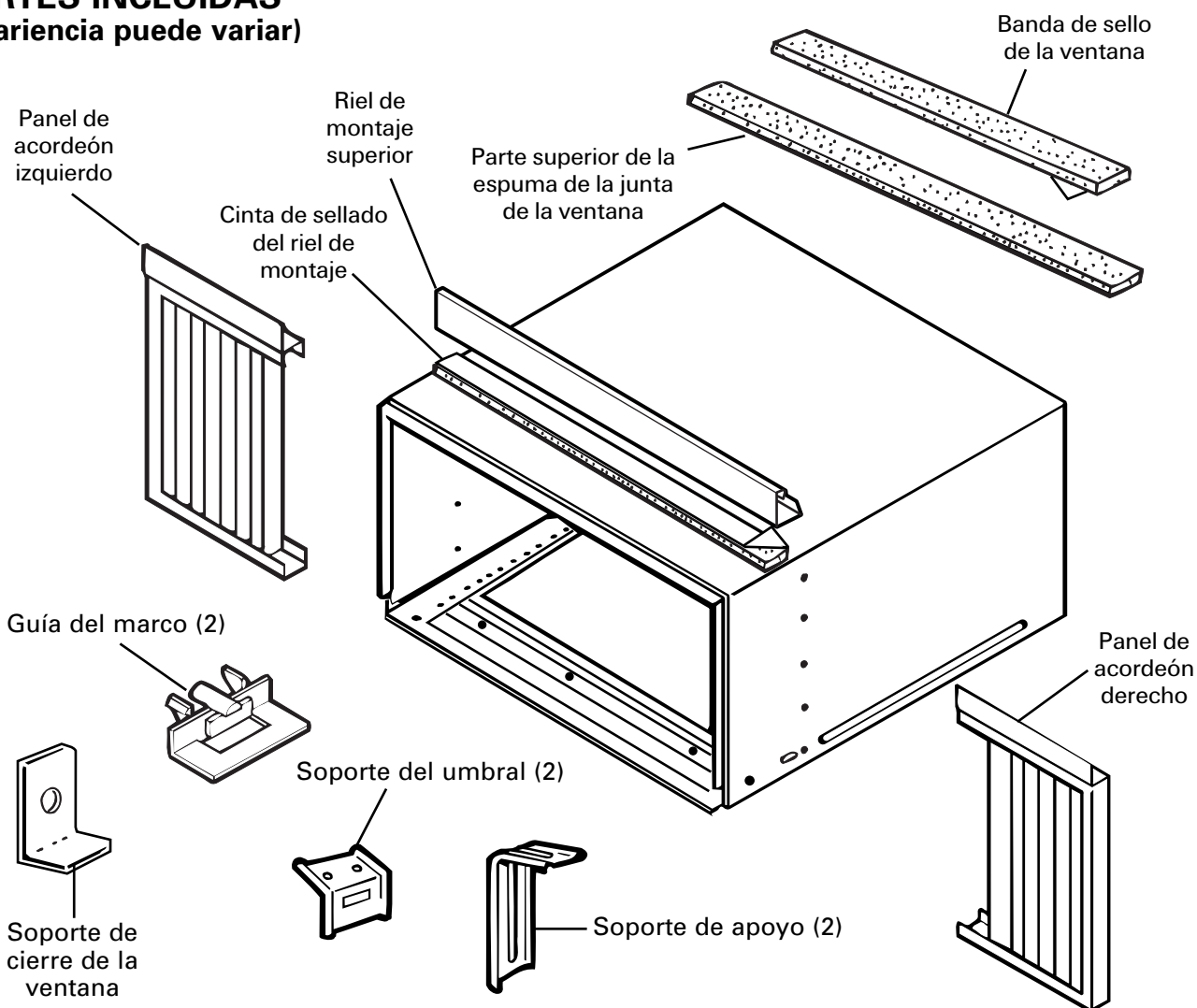


Un destornillador con hoja plana



Lápiz

PARTES INCLUIDAS (apariciencia puede variar)



Tipo A (14)



Tipo B (7)



Tipo C (5)



Tipo D (2)



Tornillo corredizo (2)



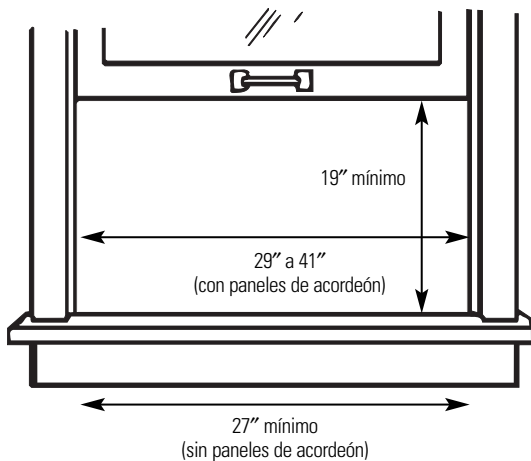
Tuerca de cierre (4)



Instrucciones de instalación

1 REQUISITOS PARA LA VENTANA

- Estas instrucciones son para una ventana estándar de dos pliegues. Usted necesitará modificar el proceso para otros tipos de ventanas.
- El acondicionador de aire puede instalarse sin los paneles de acordeón para ajustarse a una ventana más estrecha. Ver las dimensiones de la abertura de la ventana más adelante.
- Todas las partes de apoyo deben quedar totalmente aseguradas a algún metal, mampostería o a la madera.
- El tomacorriente eléctrico debe estar al alcance del cable eléctrico del acondicionador de aire.



2 REQUISITOS DE UNA VENTANA DE TORMENTAS

Un marco de ventana de tormentas no permitirá que el acondicionador de aire se incline hacia el exterior y evitará que drene apropiadamente. Para solucionar este problema, adhiera un pedazo de madera a la repisa.

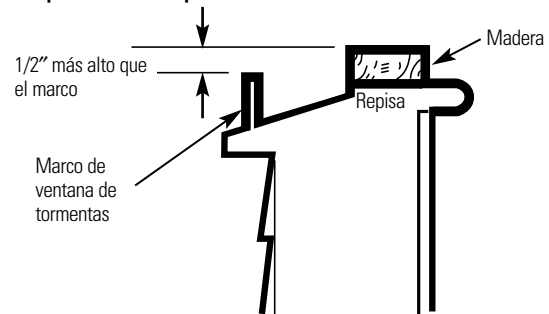
PIEZAS DE MADERA-

ANCHO: 2"

LONGITUD: Suficiente longitud para ajustarse al interior del marco de la ventana.

ESPESOR: Para determinar el espesor, coloque un pedazo de madera en la repisa para hacerlo 1/2" más alto que la parte superior del marco de la ventana de tormentas.

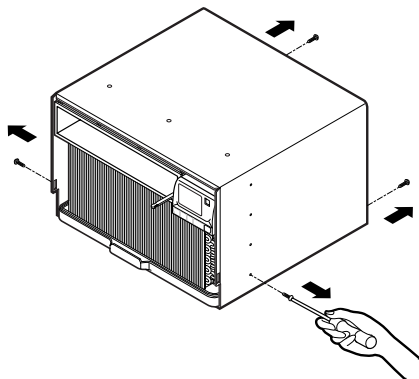
Una firmemente con puntillas o tornillos provistos por el instalador.



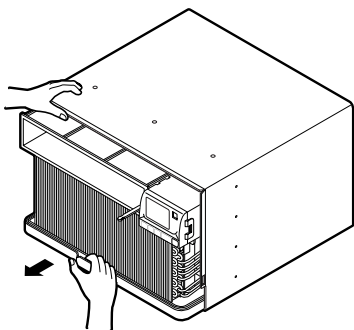
Instrucciones de instalación

3 RETIRE EL ACONDICIONADOR DE AIRE DE LA CAJA

- A** Remueva los 2 tornillos de envío de la parte posterior de la caja.
- B** Retire los 2 tornillos en cada lado de la caja. Guárdelos para más tarde.

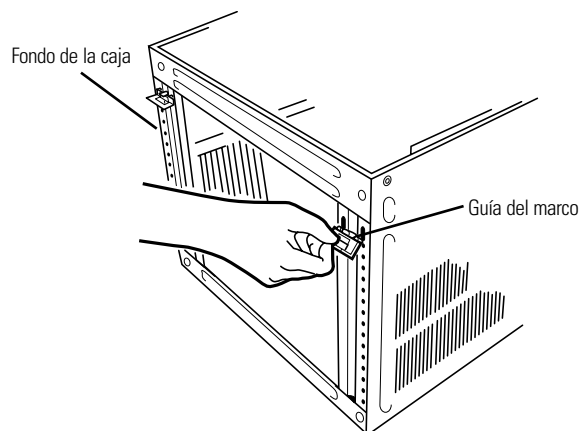


- C** Deslice el acondicionador de aire de la caja agarrando la empuñadura del cárter base y tire hacia adelante mientras sostiene la caja.

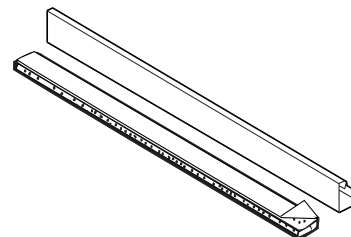


4 PREPARE LA VENTANA Y LA CAJA (CONT.)

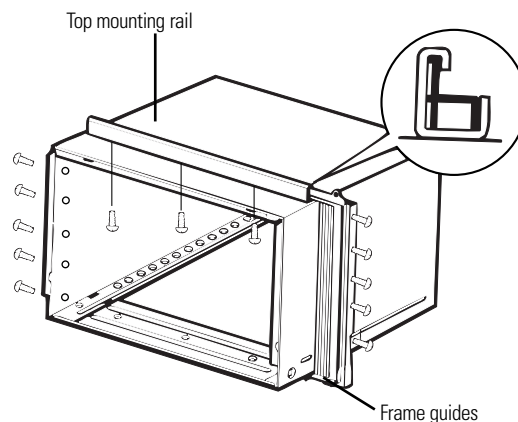
- B** Con cuidado, inserte las guías del marco plástico en el fondo de la caja en cada lado.



- C** Remueva la parte posterior de la banda de sellado del riel de montaje superior y únala al fondo del riel de montaje superior.

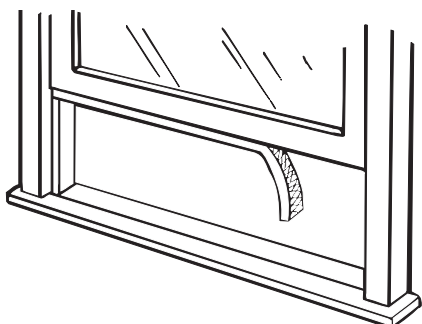


- D** Instale el riel de montaje superior con 3 tornillos tipo A en el interior de la caja. Inserte los marcos para los paneles de acordeón en el riel de montaje superior y las guías del marco. Una los paneles de acordeón al lado de la caja usando 5 tornillos tipo A en cada lado.



4 PREPARE LA VENTANA Y LA CAJA

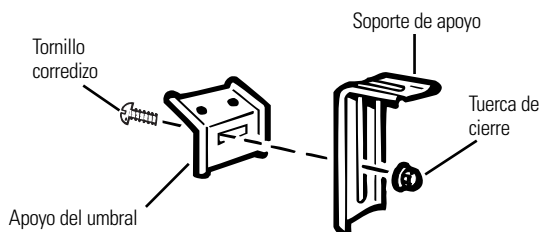
- A** Corte el sello de la banda de la ventana a la longitud apropiada. Pele la parte posterior y pegue el sello a la parte inferior de la banda de la ventana.



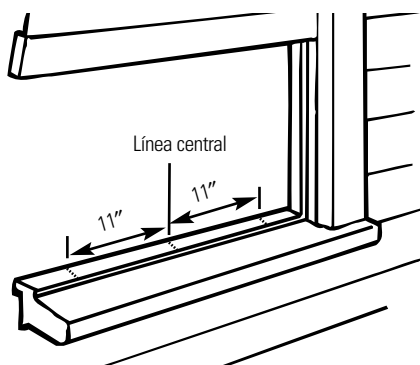
Instrucciones de instalación

5 PREPARE LA VENTANA

- A** Una los soportes del umbral a los soportes de apoyo que queden flojos usando 2 tornillos corredizos y 2 tuercas de cierre.

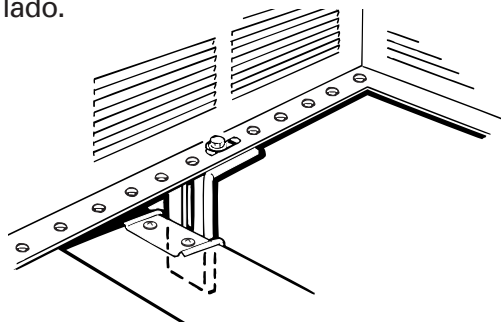


- B** Abra la ventana y marque la línea central de la repisa de la ventana. Mida y marque 11" hacia la izquierda y hacia la derecha de la línea central.



6 INSTALE LA CAJA EN LA VENTANA

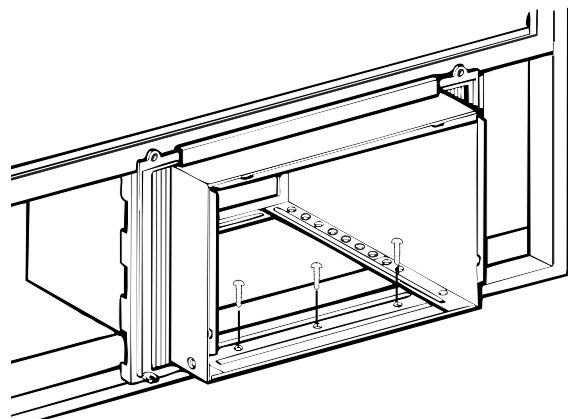
- A** Alinee el extremo interno de los apoyos del umbral con las marcas de 11" a partir de la línea central y únelos al umbral de la ventana usando 2 tornillos tipo B en cada lado.
- B** Con cuidado coloque la caja en la repisa de la ventana alineando el centro frontal en el fondo con la línea central marcada en la repisa de la ventana. Cierre la ventana cerciorándose de que la banda está detrás del riel de montaje superior.
- C** Usando el agujero de mayor diámetro en la caja, pegue los soportes a la caja usando 2 tornillos tipo D y 2 tuercas se cierre en cada lado.



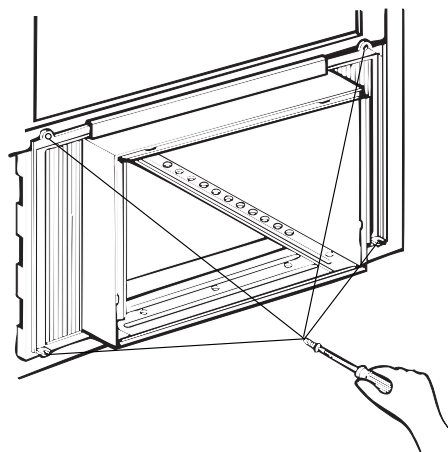
6 INSTALE LA CAJA EN LA VENTANA

- D** Ajuste los tornillos corredizos y las tuercas de cierre en cada soporte de forma tal que la caja esté instalada con una pequeña inclinación hacia el exterior. Use un nivel; aproximadamente 1/3 de burbuja será la inclinación correcta hacia el exterior. Apriete los tornillos.

PRECAUCIÓN: NO taladre un agujero en el cárter base. La unidad está diseñada para operar con aproximadamente 1/2" de agua en el cárter base.



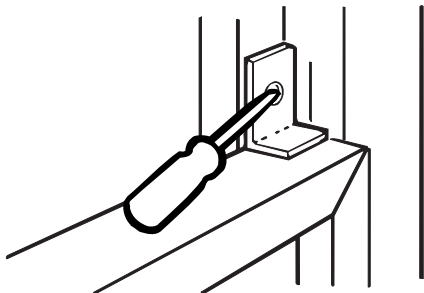
- E** Asegure la caja a la repisa de la ventana usando 3 tornillos tipo B.
- F** Tire de los paneles de acordeón hacia cada paso del marco de la ventana. Únelos a cada lado del marco de la repisa de la ventana usando 4 tornillos tipo C.



Instrucciones de instalación

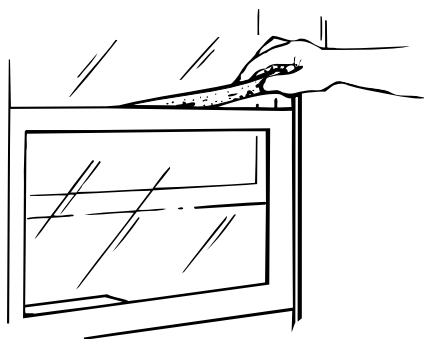
7 INSTALE EL SOPORTE DE CIERRE DE LA VENTANA Y LA JUNTA DE ESPUMA SUPERIOR DE LA VENTANA

- A** Una el soporte de cierre de la ventana con un tornillo tipo C.



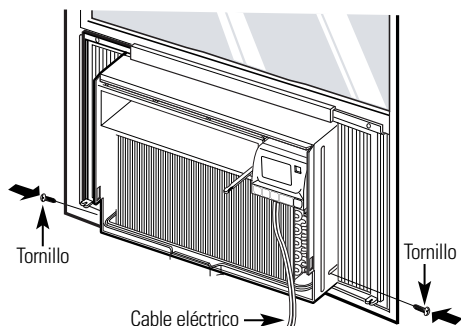
- B** Corte la parte superior de la espuma de la junta al ancho de la ventana.

- C** Rellene la espuma entre el vidrio y la ventana para evitar que aire e insectos se introduzcan en la habitación.



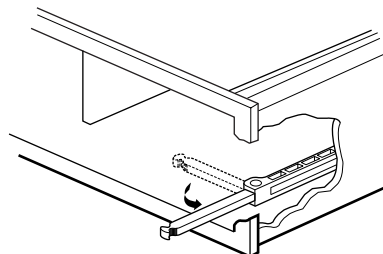
8 INSTALE EL ACONDICIONADOR DE AIRE EN LA CAJA

- A** Deslice el acondicionador de aire en la caja. Reinstale los 2 tornillos removidos anteriormente en cada lado de la caja.

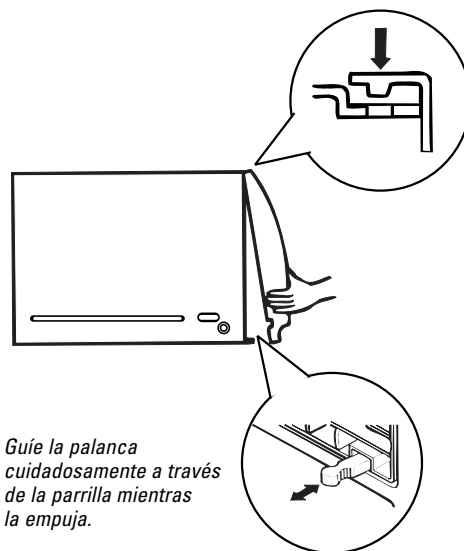


8 INSTALE EL ACONDICIONADOR DE AIRE EN LA CAJA (CONT.)

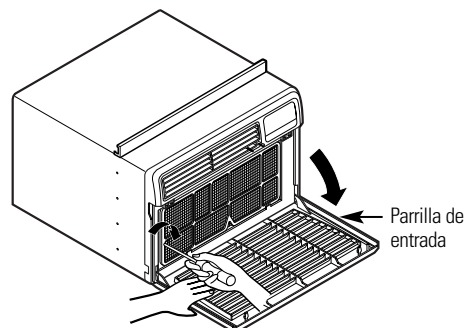
- B** Antes de instalar la parrilla frontal, tire hacia afuera de la palanca de control de ventilación localizada encima de los botones de control de la unidad, como se muestra.



- C** Una la parrilla del frente a la caja insertando las orejillas en la parrilla en las ranuras en el frente de la caja. Empuje la parrilla hasta que encaje en su lugar.



- D** Baje la parrilla de entrada y asegúrela al marco frontal con un tornillo tipo A. Levante la parrilla de entrada a su lugar.





Ideas para la identificación y solución de problemas:
¡Ahorre dinero y tiempo! Revise la siguiente tabla primero y quizás no tenga que llamar para solicitar servicio.

Problema	Causas posibles	Qué hacer
El acondicionador de aire no enciende	El acondicionador de aire está desconectado.	<ul style="list-style-type: none"> • Cerciórese de que el acondicionador de aire está enchufado totalmente en el tomacorriente.
	El fusible se disparó / el cortacircuitos se disparó.	<ul style="list-style-type: none"> • Inspeccione los fusibles/caja de interruptores de la casa y reemplace cualquier fusible o reajuste el interruptor.
	Interrupción en el suministro eléctrico.	<ul style="list-style-type: none"> • La unidad se reiniciará automáticamente con la configuración utilizada por última vez luego de reestablecer la electricidad. • Existe un retraso de tiempo por protección (de aproximadamente 3 minutos) para evitar la desconexión por sobrecarga del compresor. Por esta razón, es posible que la unidad no comience a enfriar de forma normal hasta transcurridos 3 minutos desde que volvió a encenderse.
	El dispositivo de interrupción de corriente se ha activado.	<ul style="list-style-type: none"> • Presione el botón RESET ubicado en el cable de alimentación. • Si el botón RESET no se mantiene en su lugar, no utilice más el acondicionador de aire y comuníquese con un técnico calificado.
El acondicionador de aire no enfría como debería	El flujo de aire está restringido.	<ul style="list-style-type: none"> • Cerciórese de que no existe ninguna cortina, persiana o mueble bloqueando el frente del acondicionador de aire.
	El control de temperatura no está ajustado apropiadamente.	<ul style="list-style-type: none"> • En el modo COOL (FRÍO), presione la tecla de Reducir ▼.
	El filtro de aire está sucio.	<ul style="list-style-type: none"> • Limpie el filtro cada 30 días por lo menos. Ver la sección de <i>Instrucciones de Operación</i>.
	La habitación podría haber estado caliente.	<ul style="list-style-type: none"> • Cuando el acondicionador de aire se enciende, usted necesita darle tiempo para que enfríe la habitación.
	El aire frío se está escapando.	<ul style="list-style-type: none"> • Cerciórese de que los registros de la calefacción no están abiertos y se encuentran retornando el aire frío. • Coloque la ventanilla del acondicionador de aire en la posición cerrada.
	Las bobinas de enfriamiento se congelaron.	<ul style="list-style-type: none"> • Ver "Acondicionador de aire congelándose" más adelante.
El acondicionador de aire se está congelando	El hielo bloquea el flujo de aire hacia el acondicionador de aire evitando que se enfríe la habitación.	<ul style="list-style-type: none"> • Coloque los controles en HIGH (F3) FAN (VENTILADOR ALTO) o HIGH (F3) COOL (FRÍO ALTO) y coloque el termómetro a una temperatura más alta.
El control remoto no funciona	Las baterías están insertadas incorrectamente.	<ul style="list-style-type: none"> • Inspeccione la posición de las baterías. Deben estar insertadas en la posición indicada, (+) y (-).
	Las baterías están agotadas.	<ul style="list-style-type: none"> • Reemplace las baterías.
Hay agua goteando afuera	Calor excesivo y tiempo húmedo.	<ul style="list-style-type: none"> • Esto es normal.
Hay agua goteando en el interior de la habitación	El acondicionador de aire no está inclinado hacia afuera.	<ul style="list-style-type: none"> • Para drenar el agua apropiadamente, cerciórese de que el acondicionador de aire está inclinado ligeramente desde el frente hacia atrás.

Seguridad

Operación

Instalación

Solucionar problemas

Apoyo al consumidor

Solucionar problemas.

Seguridad



Ideas para la identificación y solución de problemas

Operación

Problema	Causas posibles	Qué hacer
Se acumula agua en la bandeja	La humedad es removida del aire interno y drenada hacia la parte posterior del gabinete donde un ventilador la empuja contra el embobinado del consumidor.	<ul style="list-style-type: none">• Esto es normal por un corto período en áreas con poca humedad; normal por un período de tiempo más postergado en áreas más húmedas.
La función de <i>SINCRONIZADOR (TIMER)</i> no está funcionando apropiadamente	Una pérdida en el suministro eléctrico o una interrupción ha ocurrido.	<ul style="list-style-type: none">• En el caso de una pérdida del suministro eléctrico o una interrupción, la función de <i>SINCRONIZADOR</i> en la unidad se reajustará al ajuste original. Es posible que usted necesite ajustar un tiempo nuevo si así lo desea.

Instalación

Solucionar problemas

Apoyo al consumidor

Sonidos de operación normales

- Quizás escuche un sonido metálico causado por el agua tomada y tirada contra el condensador en los días lluviosos o cuando la humedad es alta. Esta característica de diseño ayuda a remover la humedad y mejora la eficiencia.
- Quizás escuche que el termostato hace clic cuando el compresor hace ciclo entre encendido y apagado.
- El agua se acumula en la bandeja durante días lluviosos o con mucha humedad. El agua podría derramarse y gotear desde el lado externo de la unidad.
- El ventilador podría funcionar aun si el compresor no lo hace.

Seguridad**Operación****Instalación****Solucionar problemas****Apoyo al consumidor**

Notas.

Seguridad
Operación
Instalación
Solucionar problemas
Apoyo al consumidor

Garantía de su acondicionador de aire de GE.



Todos los servicios de garantía los proporcionan nuestros Centros de Reparación de Fábrica o nuestros técnicos Customer Care® autorizados. Para concertar una cita de reparación, en línea, 24 horas al día, visítenos al ge.com, o llame al 800.GE.CARES (800.432.2737). Cuando llame para solicitar servicio, por favor tenga a mano el número de serie y el número de modelo.

Grape aquí su recibo. Se requiere facilitar prueba de la fecha de compra original para obtener un servicio bajo la garantía.

Por el período de: GE reemplazará:

Un año

A partir de la fecha de la compra original

Cualquier parte del acondicionador de aire que falle debido a defectos en los materiales o en la fabricación. Durante esta **garantía limitada de un año**, GE también proporcionará, **sin costo alguno**, toda la mano de obra y servicio relacionado—para reemplazar partes defectuosas.

Cinco años

A partir de la fecha de la compra original

Cualquier parte del sistema de refrigeración sellada (compresor, condensador, evaporador y tuberías de conexión) que fallen debido a defectos en los materiales o fabricación. Durante estos **cuatro años adicionales de garantía limitada**, GE también proporcionará, **sin costo alguno**, toda la mano de obra y servicio relacionado para reemplazar partes defectuosas.

Lo que no está cubierto:

- Viajes de servicio a su casa para mostrarle cómo funciona el equipo.
- Instalación, entrega o mantenimiento inapropiada. Si usted tiene un problema durante la instalación, o si su acondicionador de aire no tiene la capacidad de enfriamiento que usted necesita, póngase en contacto con nuestro distribuidor o instalador. Usted es responsable de proporcionar las facilidades de conexión eléctrica necesarias.
- Fallo del producto resultante de modificaciones al producto o debido a uso irrazonable incluyendo no proporcionar mantenimiento razonable y necesario.
- En locales comerciales, la mano de obra necesaria para retirar la unidad hacia un lugar para revisión por parte de un técnico individual.
- Reemplazo de fusibles de la casa o reajuste del sistema de circuitos.
- Fallos debido a la corrosión en modelos que no están protegidos contra la corrosión.
- Daño al producto causado por voltaje inapropiado hacia el equipo, accidentes, incendios, inundaciones o actos de la naturaleza de fuerza mayor.
- Daños incidentales o consecuenciales causados por defectos posibles con este acondicionador de aire.
- Daños causados después de la entrega.
- Producto no accesible para facilitar el servicio requerido.

EXCLUSIÓN DE GARANTÍAS IMPLÍCITAS—Su único y exclusivo derecho es la reparación del producto, tal y como se indica en esta Garantía limitada. Cualquier garantía implícita, incluyendo las garantías implícitas de comerciabilidad o adecuación para un fin determinado, están limitadas a un año o el período de tiempo más breve permitido por la ley.

Esta garantía se extiende al comprador original y cualquier comprador posterior de productos comprados para uso residencial dentro de Estados Unidos. Si el producto está situado en un área que no dispone de servicio por parte de un proveedor de servicio autorizado de GE, podría tener que hacerse cargo de los costes de envío o bien podría solicitársele que lleve el producto a una centro de servicio de GE autorizado para realizar la reparación. En Alaska, la garantía excluye el costo de envío o las visitas de servicio a su casa.

Algunos estados no permiten la exclusión o las limitaciones de daños incidentales o consecuenciales. Esta garantía da derechos legales específicos, y usted podría tener otros derechos que variarán de estado a estado. Para saber cuáles son sus derechos legales, consulte a la oficina de asuntos del consumidor local o la oficina del Attorney General en su localidad.

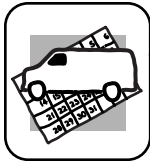
Apoyo al consumidor.



Página Web de GE Appliances

ge.com

¿Tiene alguna pregunta sobre su electrodoméstico? ¡Pruebe la página Web de GE Appliances 24 horas al día, cualquier día del año! Para mayor conveniencia y servicio más rápido, ya puede descargar los Manuales de los Propietarios, pedir piezas o incluso hacer una cita en línea para que vengan a realizar una reparación. También puede “Ask Our Team of Experts™” (Preguntar a nuestro equipo de expertos) sobre cualquier cuestión y mucho más...



Solicite una reparación

ge.com

El servicio de expertos GE está a tan sólo un paso de su puerta. ¡Entre en línea y solicite su reparación cuando le venga bien 24 horas al día cualquier día del año! O llame al 800.GE.CARES (800.432.2737) durante horas normales de oficina.



Real Life Design Studio (Estudio de diseño para la vida real)

ge.com

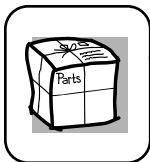
GE apoya el concepto de Diseño Universal—productos, servicios y ambientes que pueden usar gente de todas las edades, tamaños y capacidades. Reconocemos la necesidad de diseñar para una gran gama de habilidades y dificultades físicas y mentales. Para más detalles sobre las aplicaciones de GE Diseño Universal, incluyendo ideas de diseño para la cocina para personas con discapacidades, mire nuestra página Web hoy mismo. Para personas con dificultades auditivas, favor de llamar al 800.TDD.GEAC (800.833.4322).



Garantías ampliadas

ge.com

Compre una garantía ampliada y obtenga detalles sobre descuentos especiales disponibles mientras su garantía está aún activa. Puede comprarla en línea en cualquier momento, o llamar al (800.626.2224) durante horas normales de oficina. GE Consumer Home Services estará aún ahí cuando su garantía termine.



Piezas y accesorios

ge.com

Aquellos individuos con la calificación necesaria para reparar sus propios electrodomésticos pueden pedir que se les manden las piezas o accesorios directamente a sus hogares (aceptamos las tarjetas VISA, MasterCard y Discover). Haga su pedido en línea hoy, 24 horas cada día o llamar por teléfono al 800.626.2002 durante horas normales de oficina.

Las instrucciones descritas en este manual cubren los procedimientos a seguir por cualquier usuario. Cualquier otra reparación debería, por regla general, referirse a personal calificado autorizado. Debe ejercerse precaución ya que las reparaciones incorrectas pueden causar condiciones de funcionamiento inseguras.



Póngase en contacto con nosotros

ge.com

Si no está satisfecho con el servicio que recibe de GE, póngase en contacto con nosotros en nuestra página Web indicando todos los detalles así como su número de teléfono o escribanos a:

General Manager, Customer Relations
GE Appliances, Appliance Park
Louisville, KY 40225



Registre su electrodoméstico

ge.com

¡Registre su nuevo electrodoméstico en línea—cuando usted prefiera! El registrar su producto a tiempo le proporcionará, si surgiera la necesidad, una mejor comunicación y un servicio más rápido bajo los términos de su garantía. También puede enviar su tarjeta de registro pre-impresa que se incluye en el material de embalaje o recorte y use el formulario de este Manual del Propietario.

Free Manuals Download Website

<http://myh66.com>

<http://usermanuals.us>

<http://www.somanuals.com>

<http://www.4manuals.cc>

<http://www.manual-lib.com>

<http://www.404manual.com>

<http://www.luxmanual.com>

<http://aubethermostatmanual.com>

Golf course search by state

<http://golfingnear.com>

Email search by domain

<http://emailbydomain.com>

Auto manuals search

<http://auto.somanuals.com>

TV manuals search

<http://tv.somanuals.com>