



Air Conditioners

Safety Instructions
 Adapter Plugs4
 Connect Electricity3
 Extension Cords4
 Safety Precautions2

Operating Instructions5, 6

Care and Cleaning
 Air Filter7
 Grille and Case7
 Outdoor Coils7

Installation Instructions ..8-13
 Casement Window
 Installation13
 Horizontal Sliding
 Window Installation9-12
 Preparation8

Troubleshooting Tips14
 Normal Operating Sounds14

Consumer Support
 Consumer Support ...Back Cover
 Warranty15

**Owner's Manual and
Installation Instructions**

AVX07
AVX08
AVX10

**Write the model and serial
numbers here:**

Model # _____

Serial # _____

Find these numbers on a label near
the air discharge area and/or on a label
on the side of the air conditioner.



IMPORTANT SAFETY INFORMATION. READ ALL INSTRUCTIONS BEFORE USING.

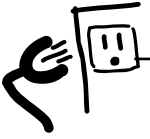
⚠ WARNING!

For your safety, the information in this manual must be followed to minimize the risk of fire or explosion, electric shock, or to prevent property damage, personal injury, or loss of life.



SAFETY PRECAUTIONS

- Use this appliance only for its intended purpose as described in this Owner's Manual.
 - This air conditioner must be properly installed in accordance with the Installation Instructions before it is used.
 - Never unplug your air conditioner by pulling on the power cord. Always grip plug firmly and pull straight out from the receptacle.
 - Repair or replace immediately all electric service cords that have become frayed or otherwise damaged. Do not use a cord that shows cracks or abrasion damage along its length or at either the plug or connector end.
 - Turn the mode control to **OFF** and unplug your air conditioner before making any repairs or cleaning.
- NOTE:** We strongly recommend that any servicing be performed by a qualified individual.
- For your safety...do not store or use combustible materials, gasoline or other flammable vapors or liquids in the vicinity of this or any other appliance.



HOW TO CONNECT ELECTRICITY

Do not, under any circumstances, cut or remove the third (ground) prong from the power cord. For personal safety, this appliance must be properly grounded.

The power cord of this appliance is equipped with a 3-prong (grounding) plug which mates with a standard 3-prong (grounding) wall outlet to minimize the possibility of electric shock hazard from this appliance.

Have the wall outlet and circuit checked by a qualified electrician to make sure the outlet is properly grounded.

Where a 2-prong wall outlet is encountered, it is your personal responsibility and obligation to have it replaced with a properly grounded 3-prong wall outlet.

The air conditioner should always be plugged into its own individual electrical outlet which has a voltage rating that matches the rating plate.

This provides the best performance and also prevents overloading house wiring circuits which could cause a fire hazard from overheated wires.

See the Installation Instructions, *Electrical Requirements* section for specific electrical connection requirements.

IMPORTANT SAFETY INFORMATION. READ ALL INSTRUCTIONS BEFORE USING.

⚠ WARNING!



USE OF EXTENSION CORDS—115-Volt models only

Because of potential safety hazards under certain conditions, we strongly recommend against the use of an extension cord.

However, if you must use an extension cord, it is absolutely necessary that it be a UL-listed, 14 gauge, 3-wire grounding type appliance extension cord having a grounding type plug and outlet and that the electrical rating of the cord be 15 amperes (minimum) and 125 volts.

⚠ CAUTION:

DO NOT use an extension cord with any of the 230/208 volt models.



USE OF ADAPTER PLUGS—115-Volt models only

Because of potential safety hazards under certain conditions, we strongly recommend against the use of an adapter plug.

However, if you must use an adapter, where local codes permit, a **temporary connection** may be made to a properly grounded 2-prong wall outlet by use of a UL-listed adapter available at most local hardware stores.

The larger slot in the adapter must be aligned with the larger slot in the wall outlet to provide proper polarity in the connection of the power cord.

When disconnecting the power cord from the adapter, always hold the adapter in place with one hand while pulling the power cord plug with the other hand. If this is not done, the adapter ground terminal is very likely to break with repeated use.

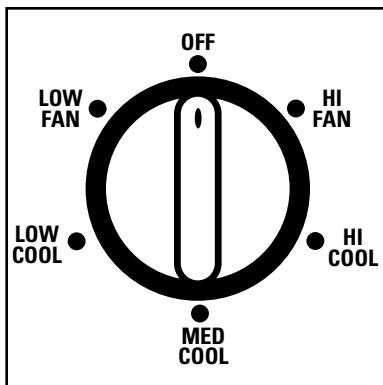
If the adapter ground terminal breaks, **DO NOT USE** the air conditioner until a proper ground has been established.

Attaching the adapter ground terminal to a wall outlet cover screw does not ground the appliance unless the cover screw is metal, and not insulated, and the wall outlet is grounded through the house wiring. You should have the circuit checked by a qualified electrician to make sure the outlet is properly grounded.



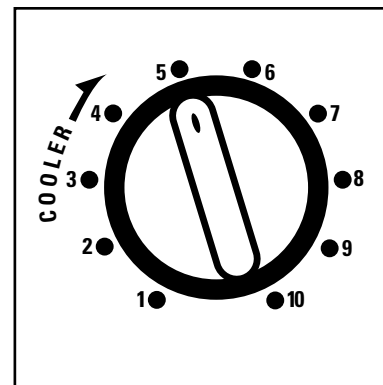
READ AND FOLLOW THIS SAFETY INFORMATION CAREFULLY.

SAVE THESE INSTRUCTIONS



MODE CONTROL

1



TEMP CONTROL

2



Controls

1 Mode Control
HI COOL, **MED COOL** and **LOW COOL** provide cooling with different fan speeds.

LOW FAN or **HI FAN** provides air circulation and filtering without cooling.

NOTE: If you move the switch from a cool setting to **OFF** or to a fan setting, wait at least 3 minutes before switching back to a cool setting.

Cooling Descriptions

For Normal Cooling—Select **HI COOL** or **MED COOL** with the temp control at **5** or **6**.

For Maximum Cooling—Select **HI COOL** with the temp control at **10**.

For Quieter & Nighttime Cooling—Select **LOW COOL** with the temp control at **3** or **4**.

2 Temp Control
 The temp control is used to maintain the room temperature. The compressor will cycle on and off to keep the room at the same level of comfort. When you turn the knob to a higher number the indoor air will become cooler. Turn the knob to a lower number and the indoor air will become warmer.

About the controls on the air conditioner.

Additional controls and important information.

Exhaust Control

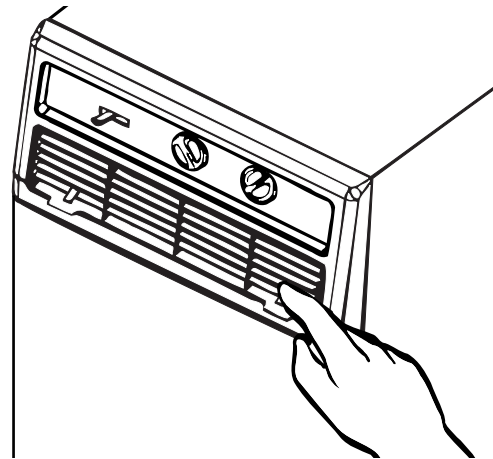
When set at **CLOSED**, only the air inside the room will be circulated and conditioned. When set at **OPEN**, some inside air is exhausted outside.



Air Direction

The air direction tabs are located at the top on either side of the front grille. The tabs let you control the air to the left, right or straight ahead.

To adjust it up or down, move the bank of louvers.



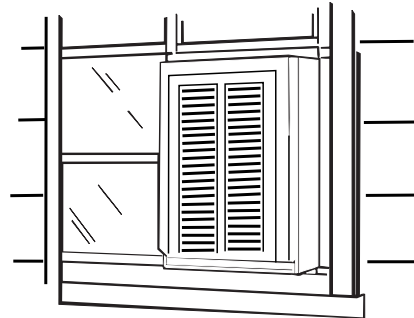
Grille and Case

Turn the air conditioner off and remove the plug from the wall outlet before cleaning.

To clean, use water and a mild detergent. Do not use bleach or abrasives.

Outdoor Coils

The coils on the outdoor side of the air conditioner should be checked regularly. If they are clogged with dirt or soot they may be professionally steam cleaned, a service available through your GE service outlet.



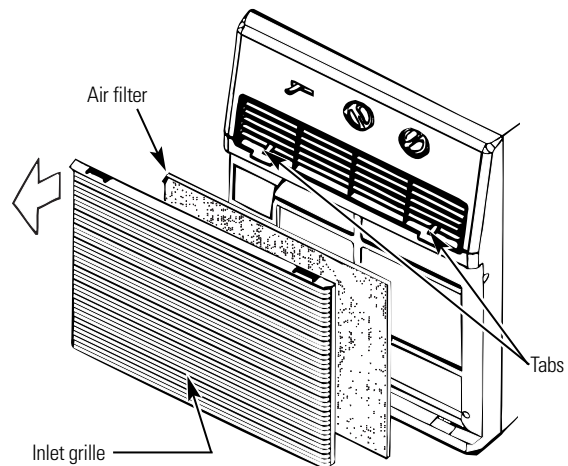
Air Filter

The air filter behind the inlet grille should be checked and cleaned at least every 30 days or more often if necessary.

To remove the inlet grille and the air filter:

- 1 Grasp both sides near the top of the inlet grille and pull forward. The inlet grille will pivot forward to reveal the air filter.
- 2 Unhook the filter from the tabs.
- 3 Clean the filter with warm, soapy water. Rinse and let the filter dry before replacing it.
- 4 Replace the inlet grille.

CAUTION: DO NOT operate the air conditioner without a filter because dirt and lint will clog it and reduce performance.



Preparing to install the air conditioner.

Read these instructions completely and carefully.



Before You Begin

NOTE TO INSTALLER: Leave these instructions with the air conditioner after installation is completed.

NOTE TO CONSUMER: Keep this Owner's Manual and Installation Instructions for future use.

IMPORTANT NOTES:

For personal safety, this air conditioner must be properly grounded.

It is important to have the wall outlet and circuit checked by a qualified electrician if there is any doubt as to whether a proper ground exists.

Follow National Electric Codes (NEC) and/or local codes and ordinances.

CAUTION:

Do not, under any circumstances, cut or remove the third (ground) prong from the power cord.

Do not change the plug on the power cord of this air conditioner.

Aluminum house wiring may present special problems—consult a qualified electrician.



Electrical Requirements



Some models require 115/120-volt a.c., 60 Hz grounded outlet protected with a 15-amp time delay fuse or circuit breaker.

The 3-prong grounding plug minimizes the possibility of electric shock hazard. If the wall outlet you plan to use is only a 2-prong outlet, it is your responsibility to have it replaced with a properly grounded 3-prong wall outlet.



Some models require 230/208-volt a.c., protected with a time delay fuse or circuit breaker. These models



should be installed on their own single branch circuit for best performance and to prevent overloading house or apartment wiring circuits, which could cause a possible fire hazard from overheating wires.



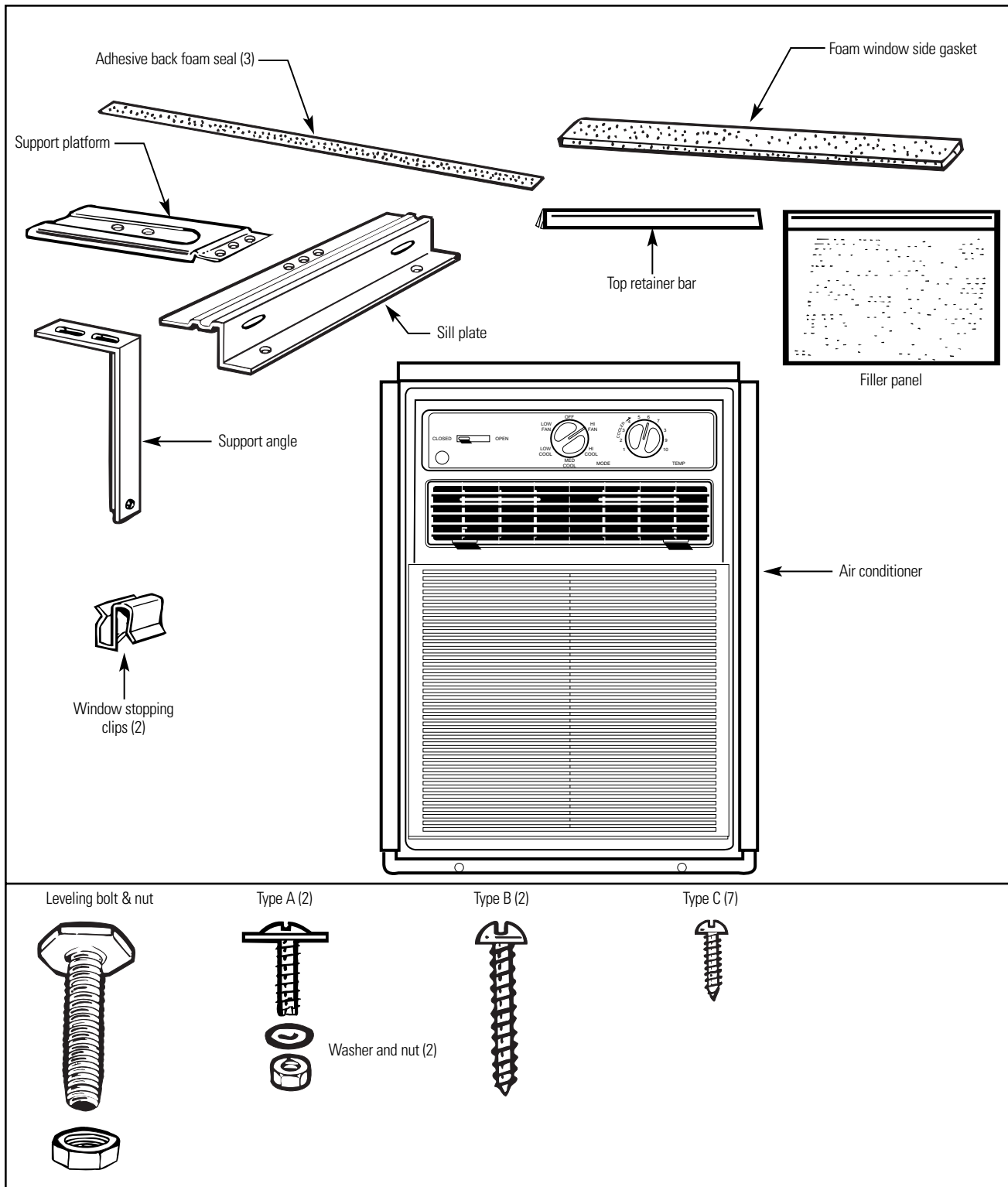
Tools You Will Need

- Flat-blade screwdriver
- Ruler or tape measure
- Scissors or knife
- Pencil
- Level
- Drill and 1/8" bit

Horizontal sliding window installation instructions.

Read these instructions completely and carefully.

Parts Included



Safety Instructions

Operating Instructions

Care and Cleaning

Installation Instructions

Troubleshooting Tips

Consumer Support

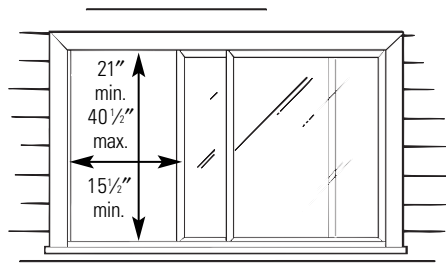
Horizontal sliding window installation instructions.

Read completely, then follow step-by-step.

1

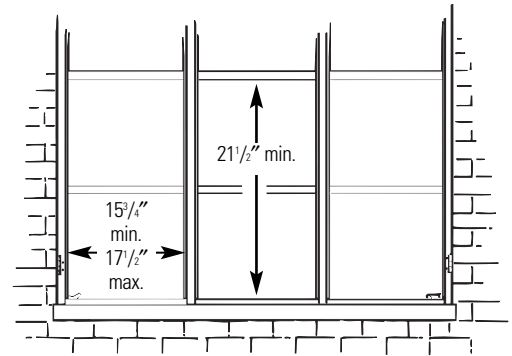
Window Requirements

- These instructions are for a horizontal sliding or a casement window.
- The electrical outlet must be within reach of the power cord.



Horizontal sliding window

- For installation in a casement window, the window frame assembly and the side of the building must be adequate to support the weight of the air conditioner.



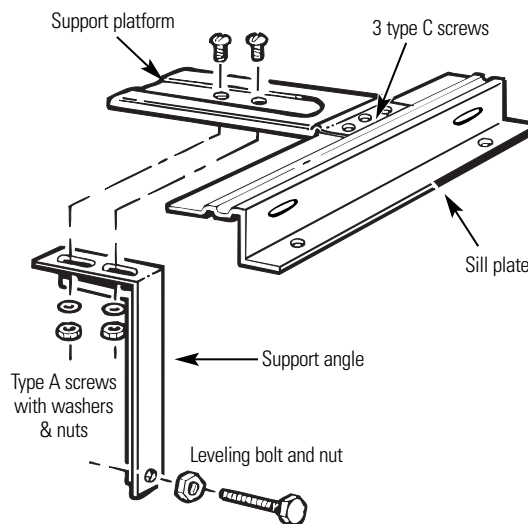
Casement window

(See Casement Window Installation Instructions)

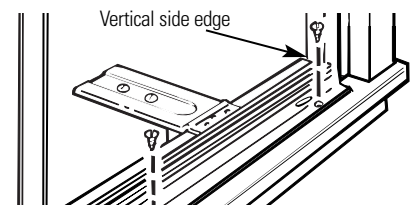
2

Prepare the Window and the Support Bracket

- A** Attach the support platform to the sill plate with 3 type C screws. Loosely attach the support angle to the bottom of the support platform using 2 type A screws with washers and nuts.
- B** Attach the leveling bolt and nut.

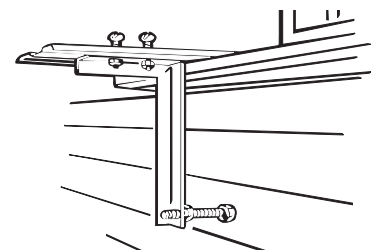


- C** Place the sill plate against the lower window track and firmly against the vertical side edge of the window frame. Attach the sill plate to the window stool using 2 type B screws.



NOTE: To overcome interference of the support platform with the window track or storm window, securely attach a 2" wide shim strip to the window sill. This strip should be as long as the width of the support platform and flush with the back edge of the sill. The thickness of the strip should be controlled by the amount of interference.

- D** Pull the support angle against the outside wall and tighten the screws on top of the support platform. Adjust the leveling bolt so the support platform is level. This will allow the air conditioner to tilt slightly for proper drainage. Tighten the nut.

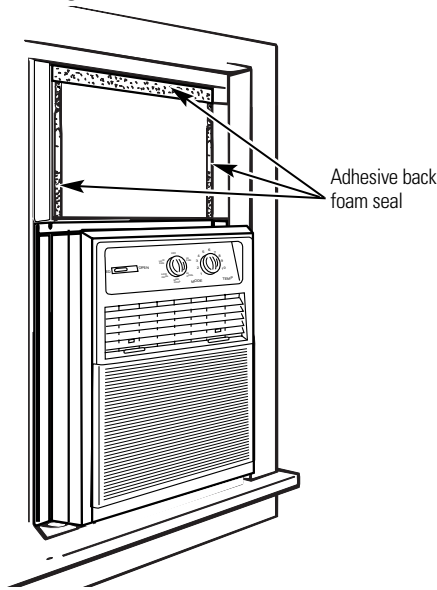


NOTE: DO NOT drill a hole in the bottom of the pan. The air conditioner is designed to operate with the bottom of the pan approximately half-full of water.

3

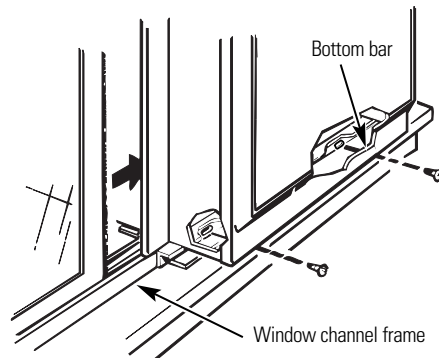
Install the Air Conditioner in the Window

- A** Cut two pieces of adhesive back foam seal to the height of the window opening. Remove the backing and apply to the vertical inside edges of the window frame and the sliding window that will rest against the air conditioner. Cut one piece to the width of the window opening and apply to the top inside edge of the window frame.



- B** Slide the air conditioner onto the support platform. Be sure the side channel butts against the vertical side edge of the window frame.

- C** Drill two 1/8" holes in the window channel frame through the existing holes in the bottom bar. Screw 2 type C screws through these holes.



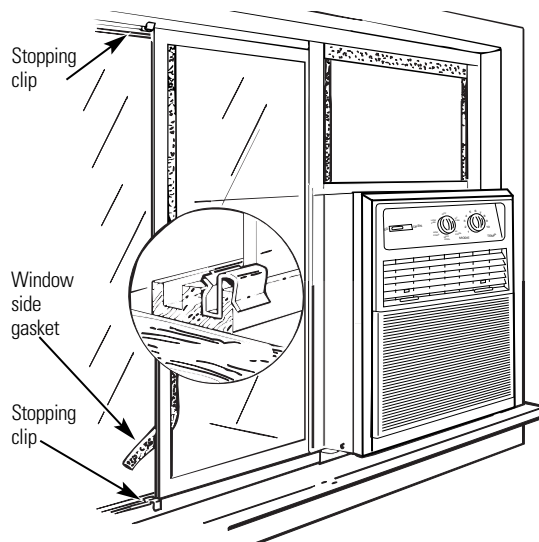
NOTES:

- If the air conditioner does not fit securely, remove it and readjust the leveling bolt.
- Make sure the air conditioner is firmly anchored to the window channel frame.

4

Secure the Window and Install the Window Side Gasket

- A** Attach the window stopping clips on the top and the bottom of the window frame (sliding windows only).
- B** Cut the foam window side gasket to the proper length and stuff it between the 2 windows.



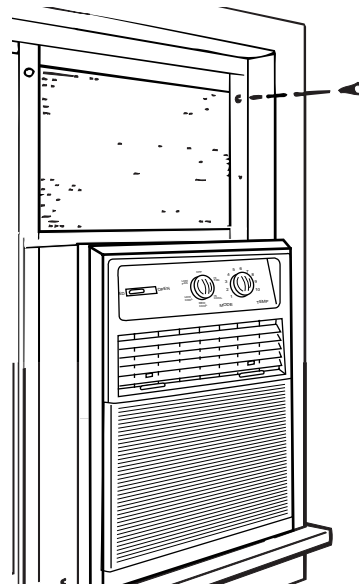
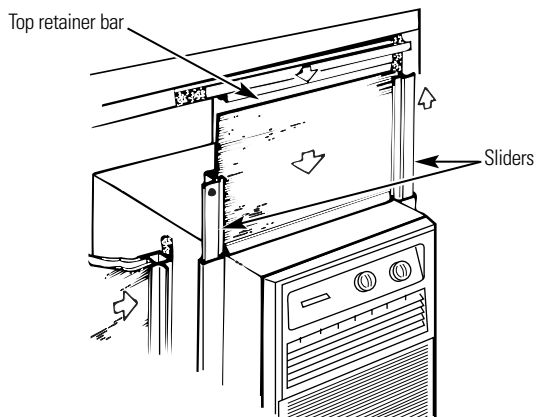
Horizontal sliding window installation instructions.

Read completely, then follow step-by-step.

5

Install the Filler Panel

- A** Trim the filler panel to fit the opening of the height of the window. Attach the top retainer bar to the top of the panel.
- B** Put the filler panel into the bottom retainer (attached to the air conditioner) and extend the sliders upward making sure the panel stays in the tracks of the sliders.
- C** Drill 1/8" holes to align with the existing holes in the sliders. Secure with 2 type C screws.



NOTE: Check all seals and plug any remaining air gaps with a suitable weatherproof caulk.

Caseament window installation instructions.

Read these instructions completely and carefully.

Safety Instructions

Operating Instructions

Care and Cleaning

Installation Instructions

Troubleshooting Tips

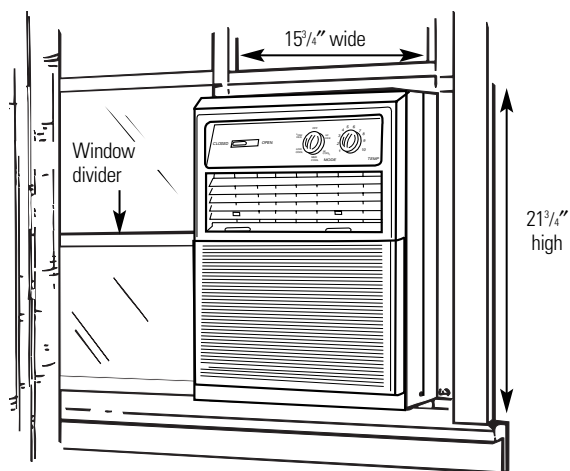
Consumer Support

1

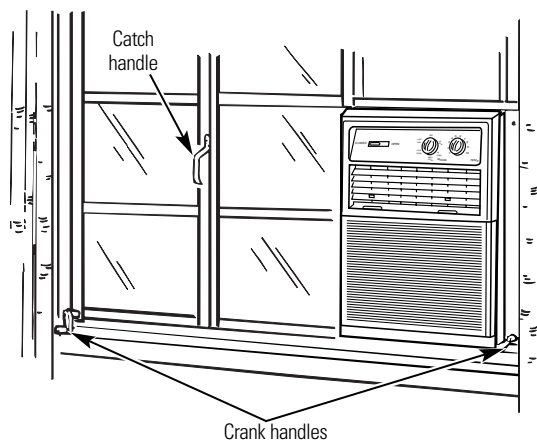
Prepare the Window

A Decide where the air conditioner will fit best. If you want to install the air conditioner in a window that does not open, you need to remove the glass panes and window dividers to provide an opening at least $15\frac{3}{4}$ " wide \times $21\frac{1}{2}$ " high.

B If the window opening is wider than $15\frac{3}{4}$ ", you will need to install a filler panel. Make this panel from $\frac{3}{4}$ " thick wood and run it the full length of the window. Attach it securely to the window frame and paint it to protect it from the weather.



C If you want to install the air conditioner in a window that opens you must remove the catch handle and the entire crank handle assembly. Then either remove the window or fold it back against the building and fasten it securely.



2

Install the Air Conditioner in the Window

Mounting procedure is similar to that described in steps 1–5 of the *Horizontal Sliding Window Installation Instructions*.

The installations are also typical. Since styles and sizes of casement windows vary widely, it is advisable to have the air conditioner installed by someone skilled in this type of installation.

CAUTION: Do not block the air circulation to the outside louvers.

Before You Call For Service...



Troubleshooting Tips
Save time and money! Review the chart on this page first and you may not need to call for service.

Problem	Possible Causes	What To Do
Air conditioner does not start	The air conditioner is unplugged.	<ul style="list-style-type: none"> • Make sure the air conditioner plug is pushed completely into the outlet.
	The fuse is blown/ circuit breaker is tripped.	<ul style="list-style-type: none"> • Check the house fuse/circuit breaker box and replace the fuse or reset the breaker.
	Power failure.	<ul style="list-style-type: none"> • If power failure occurs, turn the mode control to OFF. When power is restored, wait 3 minutes to restart the air conditioner to prevent tripping of the compressor overload.
Air conditioner does not cool as it should	Airflow is restricted.	<ul style="list-style-type: none"> • Make sure there are no curtains, blinds or furniture blocking the front of the air conditioner.
	The temp control may not be set high enough.	<ul style="list-style-type: none"> • Turn the knob to a higher number. The highest setting provides maximum cooling.
	The air filter is dirty.	<ul style="list-style-type: none"> • Clean the filter at least every 30 days. See the <i>Care and cleaning of the air conditioner</i> section.
	The room may have been hot.	<ul style="list-style-type: none"> • When the air conditioner is first turned on you need to allow time for the room to cool down.
	Cold air is escaping.	<ul style="list-style-type: none"> • Check for open furnace floor registers and cold air returns. • Set the air conditioner's vent to the closed position.
	Cooling coils have iced up.	<ul style="list-style-type: none"> • See "Air conditioner freezing up" below.
Air conditioner freezing up	Ice blocks the air flow and stops the air conditioner from cooling the room.	<ul style="list-style-type: none"> • Set the mode control at HI FAN or HI COOL with the temp at 1 or 2. Wait for approximately one hour, then reset to desired temperature.

Normal Operating Sounds

- You may hear a pinging noise caused by water being picked up and thrown against the condenser on rainy days or when the humidity is high. This design feature helps remove moisture and improve efficiency.
- You may hear the thermostat click when the compressor cycles on and off.
- Water will collect in the base pan during high humidity or on rainy days. The water may overflow and drip from the outdoor side of the unit.
- The fan may run even when the compressor does not.

Air Conditioner Warranty.



All warranty service provided by our Factory Service Centers, or an authorized Customer Care® technician. To schedule service, on-line, 24 hours a day, contact us at www.GEAppliances.com, or call 800-GE-CARES.

Staple your receipt here. Proof of the original purchase date is needed to obtain service under the warranty.

For The Period Of:	GE Will Replace:
<p>One Year From the date of the original purchase</p>	<p>Any part of the air conditioner which fails due to a defect in materials or workmanship. During this full one-year warranty, GE will also provide, free of charge, all labor and in-home service to replace the defective part.</p>
<p>Five Years From the date of the original purchase</p>	<p>Any part of the sealed refrigerating system (the compressor, condenser, evaporator and all connecting tubing) which fails due to a defect in materials or workmanship. During this five-year warranty, GE will also provide, free of charge, all labor and in-home service to replace the defective part.</p>

What GE Will Not Cover:

- Service trips to your home to teach you how to use the product.
- Improper installation. If you have an installation problem, or if the air conditioner is of improper cooling capacity for the intended use, contact your dealer or installer. You are responsible for providing adequate electrical connecting facilities.
- Failure of the product resulting from modifications to the product or due to unreasonable use including failure to provide reasonable and necessary maintenance.
- In commercial locations labor necessary to move the unit to a location where it is accessible for service by an individual technician.
- Replacement of house fuses or resetting of circuit breakers.
- Failure due to corrosion on models not corrosion-protected.
- Damage to the product caused by improper power supply voltage, accident, fire, floods or acts of God.
- Incidental or consequential damage caused by possible defects with this air conditioner.

This warranty is extended to the original purchaser and any succeeding owner for products purchased for home use within the USA. In Alaska, the warranty excludes the cost of shipping or service calls to your home.

Some states do not allow the exclusion or limitation of incidental or consequential damages. This warranty gives you specific legal rights, and you may also have other rights which vary from state to state. To know what your legal rights are, consult your local or state consumer affairs office or your state's Attorney General.

Warrantor: General Electric Company. Louisville, KY 40225

Safety Instructions

Operating Instructions

Care and Cleaning

Installation Instructions

Troubleshooting Tips

Consumer Support

Consumer Support.



GE Appliances Website

www.GEAppliances.com

Have a question or need assistance with your appliance? Try the GE Appliances Website 24 hours a day, any day of the year! For greater convenience and faster service, you can now download Owner's Manuals, order parts, catalogs, or even schedule service on-line. You can also "Ask Our Team of Experts" your questions, and so much more...



Schedule Service

www.GEAppliances.com

Expert GE repair service is only one step away from your door. Get on-line and schedule your service at your convenience 24 hours any day of the year! Or call 800-GE-CARES (800-432-2737) during normal business hours.



Real Life Design Studio

www.GEAppliances.com

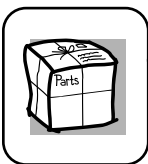
GE supports the Universal Design concept—products, services and environments that can be used by people of all ages, sizes and capabilities. We recognize the need to design for a wide range of physical and mental abilities and impairments. For details of GE's Universal Design applications, including kitchen design ideas for people with disabilities, check out our Website today. For the hearing impaired, please call 800-TDD-GEAC (800-833-4322).



Extended Warranties

www.GEAppliances.com

Purchase a GE extended warranty and learn about special discounts that are available while your warranty is still in effect. You can purchase it on-line anytime, or call 800-626-2224 during normal business hours. GE Consumer Home Services will still be there after your warranty expires.



Parts and Accessories

www.GEAppliances.com

Individuals qualified to service their own appliances can have parts or accessories sent directly to their homes (VISA, MasterCard and Discover cards are accepted). Order on-line today, 24 hours every day or by phone at 800-626-2002 during normal business hours.

Instructions contained in this manual cover procedures to be performed by any user. Other servicing generally should be referred to qualified service personnel. Caution must be exercised, since improper servicing may cause unsafe operation.



Contact Us

www.GEAppliances.com

If you are not satisfied with the service you receive from GE, contact us on our Website with all the details including your phone number, or write to: General Manager, Customer Relations
GE Appliances, Appliance Park
Louisville, KY 40225



Register Your Appliance

www.GEAppliances.com

Register your new appliance on-line—at your convenience! Timely product registration will allow for enhanced communication and prompt service under the terms of your warranty, should the need arise. You may also mail in the pre-printed registration card included in the packing material, or detach and use the form in this Owner's Manual.

Free Manuals Download Website

<http://myh66.com>

<http://usermanuals.us>

<http://www.somanuals.com>

<http://www.4manuals.cc>

<http://www.manual-lib.com>

<http://www.404manual.com>

<http://www.luxmanual.com>

<http://aubethermostatmanual.com>

Golf course search by state

<http://golfingnear.com>

Email search by domain

<http://emailbydomain.com>

Auto manuals search

<http://auto.somanuals.com>

TV manuals search

<http://tv.somanuals.com>