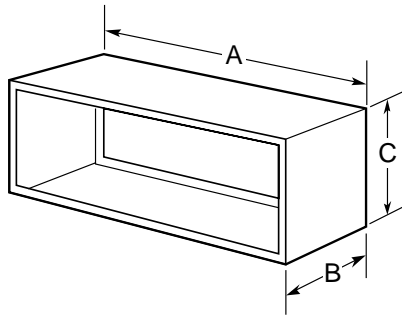




GE Appliances

AZ22E09D*P - GE Zoneline Dry Air 25 Series Cooling and Electric Heat Unit

Wall Case Dimensions



RAB71 Insulated Wall Case

Heavy-gauge galvanized steel, with insulation.
A-42", B-13-3/4", C-16"

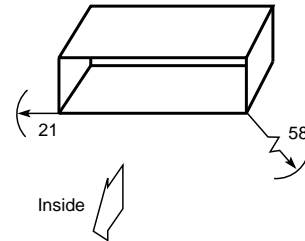
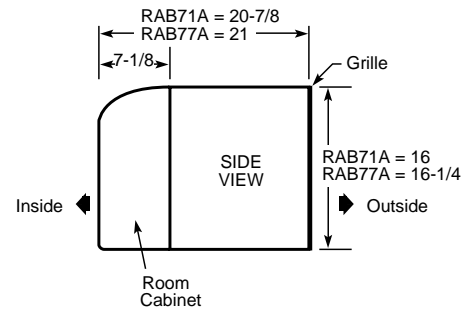
RAB77 Wall Case

Molded SMC fiberglass-reinforced polyester compound.
A-42-1/8", B-13-7/8", C-16-1/4"

Wall Opening Dimensions

Add 1/4" to A and C dimensions for all cut-out size.

Maximum Cord Extension (in inches)



Electrical Wiring

All wiring, including installation of receptacle, must be made in accordance with local electrical codes and regulations.

Note: Aluminum wiring may pose special problems—consult a qualified electrician.

Resistance Heat

Resistance heat or back-up heat determined by Quick Connect power cord on the Premium Series and selected heater size for the Value Series (15 amp. 8,600 BTU, 20 amp. 11,700 BTU and 30 amp. 17,000 BTU @ 230 volt).

Grille Options

Stamped Aluminum Grille—RAG60

Molded Exterior Architectural Louvers (Cycology)

RAG61 or RAG64 (Beige)

RAG63 or RAG66 (Bittersweet)

RAG62 or RAG65 (Maple)

RAG67 (Extruded Aluminum)

Ducted Applications

2200 and 3200 series can be used with ductwork to heat or cool more than one room. RAK605 Duct Adaptor is applied to top of case over air discharge/RAK601 Duct Extension is applied to right or left of adaptor. Locally fabricated ductwork may be added to extend to maximum recommended distance of 15 feet.

Electrical Connection

230/208 volt units may be plugged into a receptacle. 265 volt units and special application 230/208 volt units require direct connection. See Architects and Engineers Design Data Manual for electrical connection information including use of sub-base for direct connected units. Installation must comply with local electrical codes and regulations.

Zoneline Installation

Simple Three-Step Installation

Zoneline heat pumps and heat/cool units are designed for easy installation, off or flush with the floor. When the SMC fiberglass-reinforced polyester sleeve is installed, the chassis simply slides into place. Compatibility with existing Zoneline wall cases and rear grilles simplifies retrofit installations. A new chassis simply slides into the already installed wall case; the existing rear grille may be used as is, or with a minor modification for greater operating efficiency.

1. Frame the Opening. The RAB77A SMC wall case requires an opening of 16-1/2" high x 42-3/8" wide. Position the sleeve, secure it to the studs and then caulk. Complete instructions are furnished with each unit.

2. Connect the Electrical Supply. Each Zoneline unit requires a 230/208V power supply. *It is strongly recommended that electrical connections be made by a qualified electrician.* All wiring, including installation of the receptacle, must be in accordance with local codes.

3. Slide In Chassis. With the wall sleeve, electrical receptacle, and exterior grille in place, the separate chassis simply slides into position. Install the roomside cabinet, and plug into the electrical receptacle. You are now ready for many years of quiet comfort.

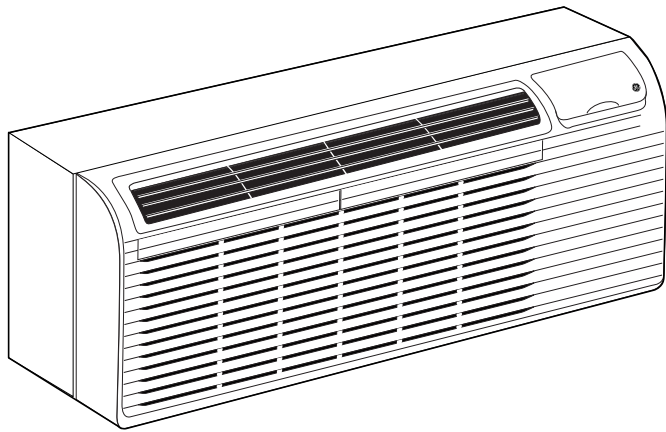
For answers to your Monogram,®GE Profile Performance Series,™ GE Profile,™ and GE appliance questions, call GE Answer Center® service, 800.626.2000.

Created 3/99



GE Appliances

AZ22E09D*P - GE Zoneline Dry Air 25 Series Cooling and Electric Heat Unit



Features and Benefits

- Decorative Warm Gray-Beige Front
- Cooling with Electric Heat
- Dry Air 25
- 230/208V Model
- 15 Amp - 2550/2090 Watts
- Available in 8600/8400 BTUH
- Up to 10.8 EER
- Solid-State Thermostat Control
- Up-Front Filters For Easy Access and Cleaning
- Hidden Manual Vent Control For Fresh Air Introduction
- Hidden Fan Cycle Switch
- Freeze Sentinel™ Protects Unoccupied Rooms Against Freeze-Up
- Mechanical Temperature Limiting For Restriction of Room Temperature
- Remote Control Compatibility For Wall-Mounted Thermostats
- Central Desk Control Compatibility
- Slide Out Chassis
- Attached Power Cord
- AZ22E09D2P - 15 Amps, 2550/2090 Watts
- AZ22E09D3P - 20 Amps, 3450/2820 Watts

Free Manuals Download Website

<http://myh66.com>

<http://usermanuals.us>

<http://www.somanuals.com>

<http://www.4manuals.cc>

<http://www.manual-lib.com>

<http://www.404manual.com>

<http://www.luxmanual.com>

<http://aubethermostatmanual.com>

Golf course search by state

<http://golfingnear.com>

Email search by domain

<http://emailbydomain.com>

Auto manuals search

<http://auto.somanuals.com>

TV manuals search

<http://tv.somanuals.com>