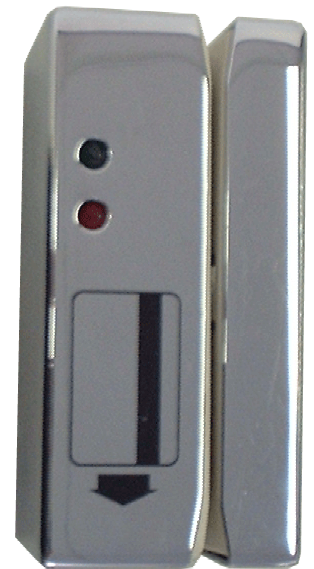




TS0861 Magnetic Swipe Card Reader
Installation Guide

-
- Installation Kit**
- 1 x TS0861 Magnetic Swipe Card Reader.
 - 1 x Installation Guide (this document).
 - 2 x 3x6mm post button head screws that can be used to replace the standard Phillips head screws for increased resistance to tampering.

-
- Product Features**
- The TS0861 interfaces to the TS0862 Smart Door Controller.
 - Operates from +5VDC supplied by TS0862, eliminates the need for extra power supply.
 - Mounts on standard window or door frames (mullions or architraves).
 - Inbuilt beeper and two access control LEDs.
 - Standard Wiegand reader wiring colour scheme.



Contents

Installation Kit	1
Product Features	1
Contents	1
Description	2
Dimensions	2
Installation Overview	2
Caution	3
Mounting	3
Connections	3
Testing	5
Warning	8
Disclaimer	8
Technical Support	8

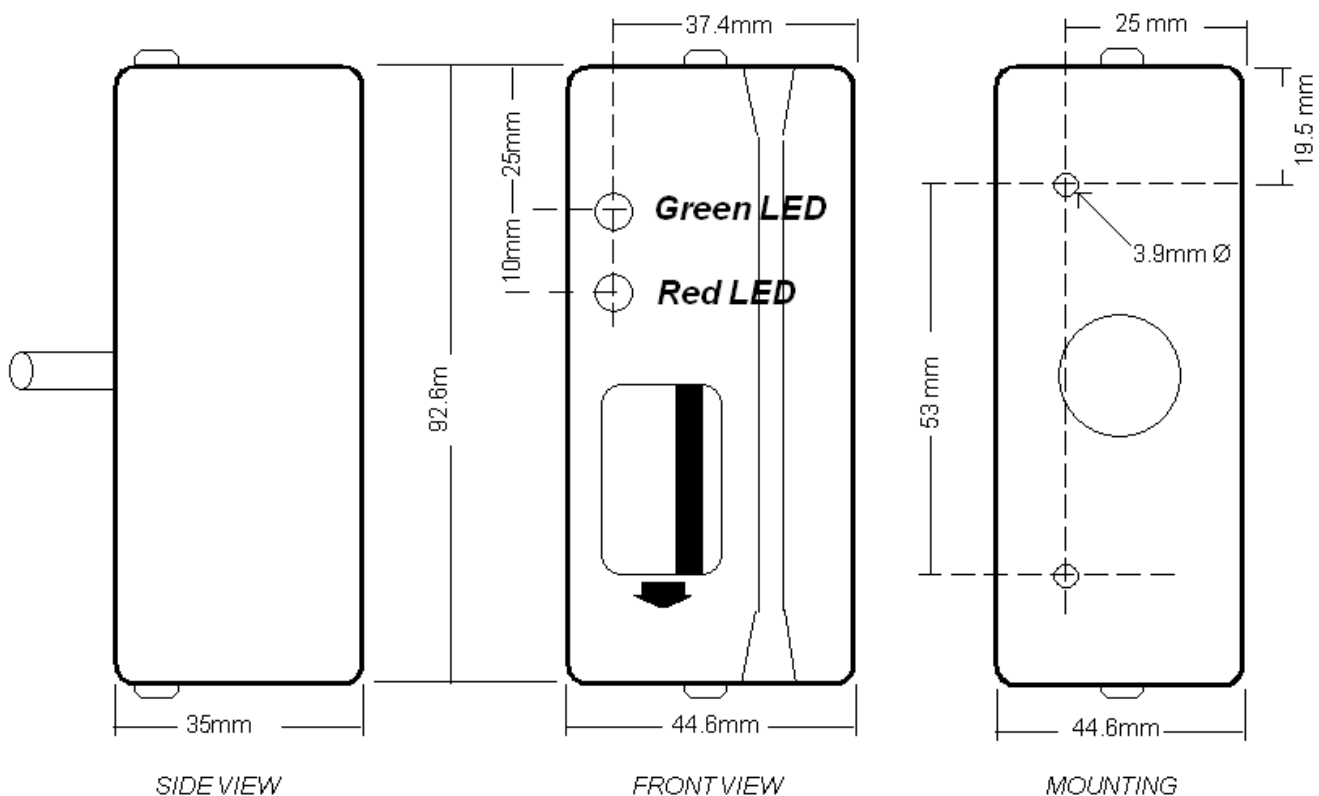
Description

The TS0861 Magnetic Swipe Card Reader is designed to mount on metal window or door frames (mullions or architraves) and is suitable for any indoor location that requires a small reader.

The TS0861 incorporates all interface electronics necessary to interface to the TS0862 Smart Door Controller. The reader operates on +5VDC supplied directly from the TS0862.

The TS0861 may also be used with other suitably-configured products that have a Wiegand interface, including the TS0867 4-Door Controller, TS0802 8-Area Arming Station, and third-party devices.

Dimensions



Installation Overview

The overall process of installing the TS0861 and connecting to a TS0862 Smart Door Controller is as follows:

Details will vary when installing to other interfaces.

1. **IMPORTANT** — Set the pwr link on the TS0862 to +5 volts. *Do not use any other voltage to power the TS0861.*
2. Mount the TS0861 using suitable hardware.
3. Check for correct operation using a suitable Magnetic Swipe Card.

Caution

The TS0862 pwr link (or other supply) must be set to +5 volts.

Mounting

Using the holes provided on the base, mount the TS0861 to the metal window or door frame using suitable hardware (not supplied).

Connections

See Figure 1 for connection details.

Key to J2 wiring block on TS0862:

EG = Egress.

+ = 5V power supply, red wire.

0V = LAN Ground — 0V connection, black wire.

D0 = Data 0 — Clock connection to Reader, green wire.

D1 = Data 1 — Data connection to Reader, white wire.

L1 = LED 1 — Reader green LED, brown wire.

See Door Data Menu.

L2 = LED 2 — Reader red LED, orange or yellow wire. See Door Data Menu.

BZ = Buzzer — Reader beeper, blue wire.

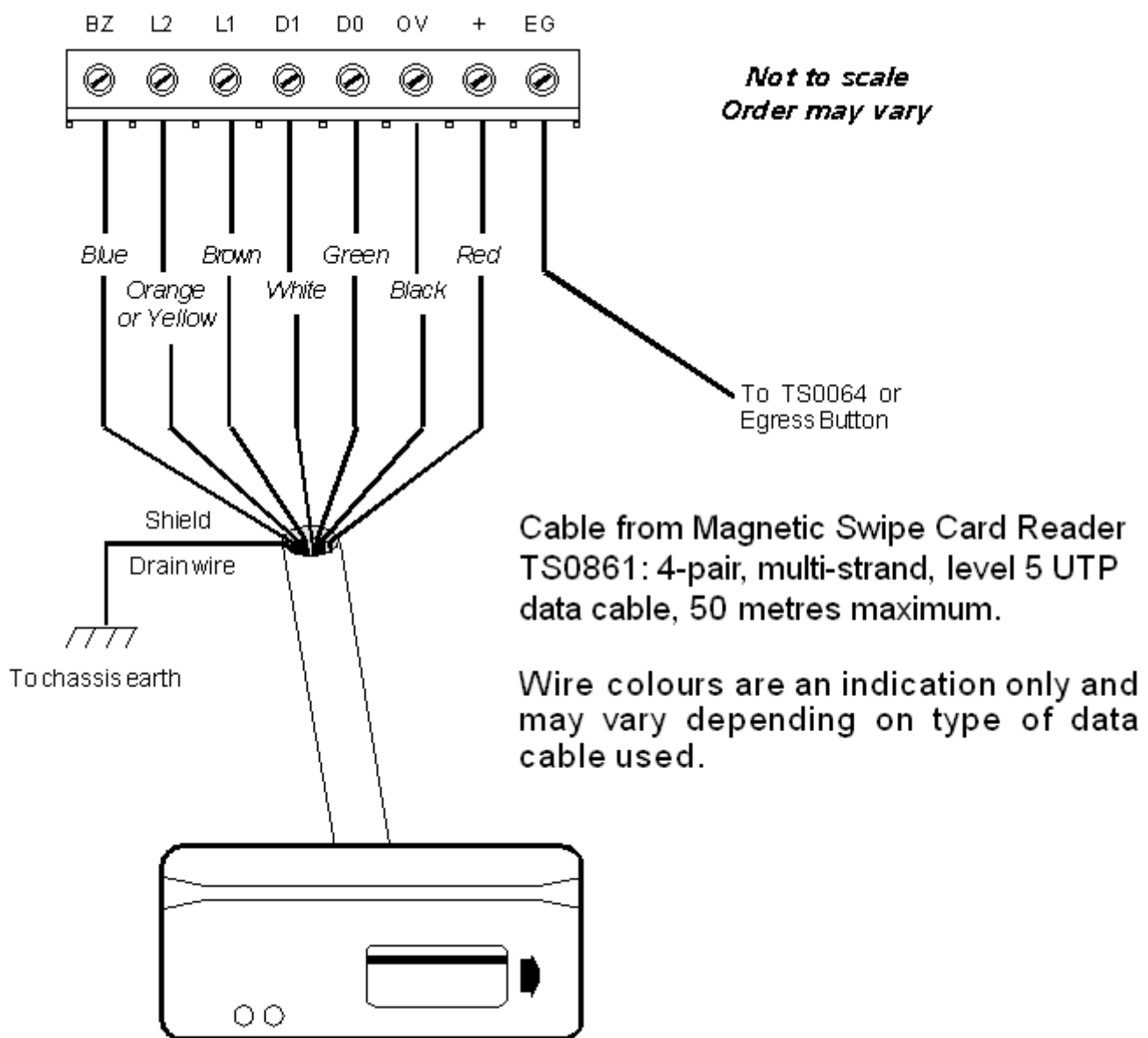


Figure 1 *Connecting the TS0861 Magnetic Swipe Card Reader to the wiring block on the TS0862 Smart Door Controller*

Testing

Note — LED operation is configurable via the TS0862 Smart Door Controller. Refer to the *TS0862 Smart Door Controller Installation & Programming Guide* for details.

The following process checks a *typical* installation of a TS0861 Magnetic Swipe Card Reader interfacing with a TS0862 Smart Door Controller.

Check for correct operation:

1. Set the door to the 'Access' state and check that the Green LED (LED 1) is illuminated.
 2. Swipe a suitable Magnetic Swipe Card through the TS0861. The Green LED flashes.
 3. Set the door to the 'Secure' state and check that the Red LED (LED 2) is illuminated.
 4. Swipe a suitable Magnetic Swipe Card through the TS0861. The Green LED flashes.
-

Notes

Notes



N4131

Note — This product conforms to the standards set by Standards Australia on behalf of the Australian Communications Authority (ACA).

Warning

This is a Class A product. In a domestic environment this product may cause radio interference, in which case the user may be required to take adequate measures.

Disclaimer

The customer is responsible for testing and determining the suitability of this product for specific applications. In no event is GE Interlogix Pty Limited responsible or liable for any damages incurred by the buyer or any third party arising from its use, or their inability to use the product.

Due to ongoing product development, the contents of this manual can change without notice. We make every effort to ensure the accuracy of this manual. However, GE Interlogix Pty Limited assumes no responsibility for errors or omissions in this manual or their consequences. Please notify us if you find errors or omissions.

Technical Support

GE Interlogix Pty Ltd
646 Whitehorse Rd. Mitcham, Victoria 3132 Australia
Phone +61 3 9259 4700
Fax +61 3 9259 4799
Email: techsupport@GE-Interlogix.com

Hours are from 9:00 a.m. to 5:30 p.m., Monday to Friday (EST).

Free Manuals Download Website

<http://myh66.com>

<http://usermanuals.us>

<http://www.somanuals.com>

<http://www.4manuals.cc>

<http://www.manual-lib.com>

<http://www.404manual.com>

<http://www.luxmanual.com>

<http://aubethermostatmanual.com>

Golf course search by state

<http://golfingnear.com>

Email search by domain

<http://emailbydomain.com>

Auto manuals search

<http://auto.somanuals.com>

TV manuals search

<http://tv.somanuals.com>