



# Profile Wine Chiller

*Safety Instructions* .....2, 3

*Installation Instructions* .....4

*Operating Instructions*

Automatic Humidity Control .....6

Control Settings .....5, 6

Locking the Controls .....6

*Care and Cleaning* .....7-10

Replacing the Light Bulb .....8

Reversing the Door .....9, 10

*Troubleshooting Tips* .....11, 12

*Consumer Support*

Warranty .....13

Consumer Support .....14

**Owner's Manual  
and Installation**

**Write the model and serial numbers here:**

**Model #** \_\_\_\_\_

**Serial #** \_\_\_\_\_

Find these numbers inside the wine chiller on the left side.



Part No. – 3504502P327  
Cat. No. – WR6M460

# IMPORTANT SAFETY INFORMATION. READ ALL INSTRUCTIONS BEFORE USING.

## ⚠ WARNING!

Use this appliance only for its intended purpose as described in this Owner's Manual.



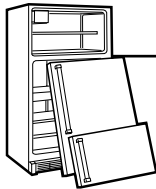
## SAFETY PRECAUTIONS

When using electrical appliances, basic safety precautions should be followed, including the following:

- This wine chiller must be properly installed and located in accordance with these instructions before it is used.
  - Do not allow children to climb, stand or hang on the shelves in the wine chiller. They could damage the wine chiller and seriously injure themselves.
  - Do not store or use gasoline or other flammable vapors and liquids in the vicinity of this or any other appliance.
  - Keep fingers out of the “pinch point” areas; clearances between the doors and between the doors and cabinet are necessarily small. Be careful closing doors when children are in the area.
  - Unplug the wine chiller before cleaning and making repairs.
- NOTE:** We strongly recommend that any servicing be performed by a qualified individual.
- Do not store or install this appliance outdoors.

## ⚠ DANGER! RISK OF CHILD ENTRAPMENT

### PROPER DISPOSAL OF THE WINE CHILLER



Child entrapment and suffocation are not problems of the past. Junked or abandoned refrigeration products are still dangerous... even if they will sit for “just a few days.” If you are getting rid of your old appliance, please follow the instructions below to help prevent accidents.

#### **Before You Throw Away Your Old Refrigeration Product:**

- Take off the doors.
- Leave the shelves in place so that children may not easily climb inside.

#### **CFC Disposal**

Your old refrigerator has a cooling system that used CFCs (chlorofluorocarbons). CFCs are believed to harm stratospheric ozone.

If you are throwing away your old refrigerator, make sure the CFC refrigerant is removed for proper disposal by a qualified servicer. If you intentionally release this CFC refrigerant, you can be subject to fines and imprisonment under provisions of environmental legislation.

## USE OF EXTENSION CORDS



Because of potential safety hazards under certain conditions, we strongly recommend against the use of an extension cord.

However, if you must use an extension cord, it is absolutely necessary that it be a UL-listed (in the United States) or a CSA certified (in Canada), 3-wire grounding type appliance extension cord having a grounding type plug and outlet and that the electrical rating of the cord be 15 amperes (minimum) and 120 volts.



## HOW TO CONNECT ELECTRICITY

*Do not, under any circumstances, cut or remove the third (ground) prong from the power cord. For personal safety, this appliance must be properly grounded.*

The power cord of this appliance is equipped with a 3-prong (grounding) plug which mates with a standard 3-prong (grounding) wall outlet to minimize the possibility of electric shock hazard from this appliance.

Have the wall outlet and circuit checked by a qualified electrician to make sure the outlet is properly grounded.

If you have only a standard 2-prong wall outlet, it is your personal responsibility and obligation to have it replaced with a properly grounded 3-prong wall outlet.

The wine chiller should always be plugged into its own individual electrical outlet which has a voltage rating that matches the rating plate.

This provides the best performance and also prevents overloading house wiring circuits which could cause a fire hazard from overheated wires.

Never unplug your wine chiller by pulling on the power cord. Always grip plug firmly and pull straight out from the outlet.

Repair or replace immediately all power cords that have become frayed or otherwise damaged. Do not use a cord that shows cracks or abrasion damage along its length or at either end.

When moving the wine chiller away from the wall, be careful not to roll over or damage the power cord.



## USE OF ADAPTER PLUGS

**Adapter plugs are not permitted in Canada.**



**READ AND FOLLOW THIS SAFETY INFORMATION CAREFULLY.**

**SAVE THESE INSTRUCTIONS**

## Installing the wine chiller.

### Removing the Packaging

Before using the wine chiller, be sure all packing materials and tape have been removed, including the protective film covering the control and any film protecting the cabinet.

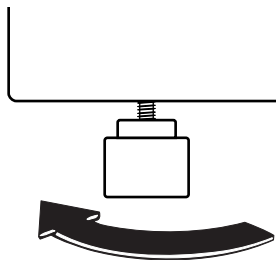
If you are discarding an old refrigeration product, remove the doors to reduce the danger of children being trapped inside.

### Installation Guidelines

- The wine chiller can be freestanding or can be installed under the counter, with proper clearances.
- Allow the following clearances for ease of installation, proper air circulation and electrical connections:
 

Each side	1½" (38 mm)
Top	2" (51 mm)
Back	2" (51 mm)
- Do not install the wine chiller where the temperature will go below 55°F (13°C) or above 90°F (32°C).
- Install it on a level floor.
- Do not install the wine chiller where it will be subject to direct sunlight, heat or moisture.
- Do not store or install this appliance outdoors.

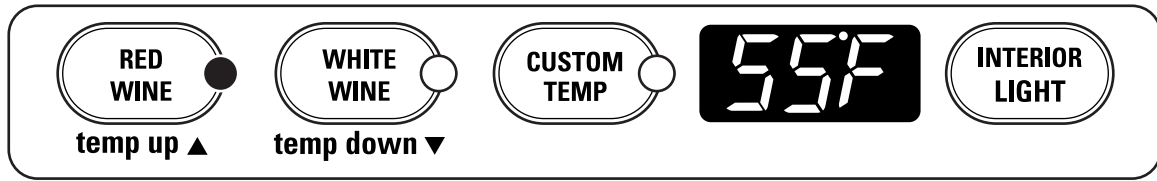
### Leveling Legs



To raise the wine chiller

**Adjustable legs** at the front corners of the wine chiller should be set so the wine chiller is firmly positioned on the floor, with a 1/8" (3 mm) tilt to the back to help the door closure.

**To adjust the leveling legs**, turn the legs **clockwise to raise** the wine chiller, **counterclockwise to lower** it.



## Control Settings

The controls give you three setting options.

**RED WINE**—Use for the storage of red wines. This setting will provide a storage temperature of 55°F (13°C), which is optimum for the storage of red wine.

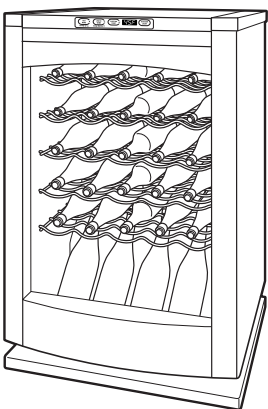
**WHITE WINE**—Use for the storage of white wines. This setting will provide a storage temperature of 45°F (7°C), which is optimum for the storage of white wine.

**CUSTOM TEMP**—This setting allows you to customize the temperature when storing both red and white wines. The custom temperature can be set anywhere between 40° to 65°F (4° to 18°C). The recommended temperature when storing half red wine and half white wine is 50°F (10°C).

Press the **CUSTOM TEMP** pad. This will convert the **RED WINE** and **WHITE WINE** pads into **temp up** and **temp down** pads. Short taps to these pads will change the temperature setting slowly. To change the temperature setting more quickly, press and hold the pad.

When you make your selection (**WHITE WINE**, **RED WINE** or **CUSTOM TEMP**) you will see the **set** temperature show up in the display. However, shortly after the selection has been made, the display will show the **actual** temperature of the wine chiller. You will then see the temperature in the display change as the **actual** temperature of the wine chiller reaches the **set** temperature.

**NOTE:** In the event of a power failure, when the power is restored, the controls automatically are set to the **RED WINE** setting. If needed, reset the controls to the desired setting.



Suggested bottle arrangement

## Loading the Wine

As with any refrigeration product, there is a slight temperature variance at different locations within the cabinet. In this wine chiller, the lower shelves provide a slightly cooler temperature than the upper shelves.

When storing both red and white wines, it is best to store the white wine on the lower shelves where the temperature is slightly cooler.

## When the Wine Chiller is Plugged In

After plugging in the wine chiller and making your selection (**WHITE WINE**, **RED WINE** or **CUSTOM TEMP**), allow the wine chiller to reach the **set** temperature before loading your wine. This may take up to 12 hours to completely stabilize.

After loading the wine, you may notice the **actual** temperature rise. The adjustment of the **actual** temperature reaching the **set** temperature will be reflected in the display. This may take up to 12 hours to completely stabilize.

## About the controls and settings.

---

### **Locking the Controls**

*This feature allows you to lock the controls so the temperature settings cannot be changed. The interior light will still function.*

**To lock the controls**, press and hold the **RED WINE** and **INTERIOR LIGHT** pads at the same time for 3 seconds. The word **LOC** will appear in the display to indicate the lockout feature has been activated. The display will then go back to showing the actual temperature. Anytime a temperature pad is pressed while the lockout feature is activated, **LOC** will appear in the display.

**To unlock the controls**, simply press and hold the **RED WINE** and **INTERIOR LIGHT** pads at the same time for 3 seconds.

---

### **Key-Ejecting Lock**

The wine chiller can be locked using the spring-loaded lock located above the door.

As a safety feature, the key for the spring-loaded lock is automatically ejected and will not remain in the lock in either the open or closed position.

---

### **Wine Chiller Light**

Press the **INTERIOR LIGHT** pad to turn the interior light on or off.

If you turn on the light and do not turn it off, it will automatically turn off after one hour.

---

### **Automatic Humidity Control**

The inside of the wine chiller automatically maintains the necessary level of humidity to protect wine corks from drying out. As a result, frost may form on the inner surfaces. See *Care and Cleaning* for instructions on removing excessive frost buildup.

## Cleaning the Outside

**IMPORTANT: Unplug the wine chiller before cleaning.**

**Keep the outside clean.** The cabinet can be washed with mild soap and water. Rinse thoroughly with clear water. Never use abrasive scouring powders.

Use a glass cleaner or mild soap and water and a soft cloth to clean the glass door. Do not use any abrasive powders.

Wipe the control panel with a damp cloth. Dry thoroughly. Do not use cleaning sprays, large amounts of soap and water, abrasives or sharp objects on the panel—they can damage it. Some paper towels can also scratch the control panel.

*Do not wipe the wine chiller with a soiled dishcloth or towel. These may leave a residue that can erode the paint. Do not use scouring pads, powdered cleaners, bleach or cleaners containing bleach because these products can scratch and weaken the paint finish.*

**Stainless steel.** Regularly clean and polish the stainless steel areas (on some models) with a commercially available stainless steel cleaner such as *Gleem-it*® to preserve and protect the fine finish. *Gleem-it*® is available at leading hardware stores. It is also available through our website, [www.GEAppliances.ca](http://www.GEAppliances.ca), or call 1.888.261.3055. Order part number WX10X15.

Do not use appliance wax or polish on the stainless steel.

**Protect the paint finish.** The finish on the outside of the wine chiller is a high-quality, baked-on paint finish. With proper care, it will stay new-looking and rust-free for years. Apply a coat of kitchen/appliance wax when the wine chiller is new, and then at least twice a year.

## Cleaning the Inside

**IMPORTANT: Unplug the wine chiller before cleaning.**

To clean the inner liner and racks, use a warm water and baking soda solution—about one tablespoon (15 ml) of baking soda to a quart (1 liter) of water. This both cleans and neutralizes odors. Rinse and wipe dry.

The vinyl door gasket may be cleaned with mild soap and water or a baking soda solution. Rinse well.

**Do not use detergents, scouring powders, spray cleaners or other harsh chemicals to clean the interior.**

## Defrosting

*Defrost whenever frost on the inside surfaces of the storage area becomes 1/8" (3 mm) thick.*

**Never use a heater of any kind, scraper or sharp instrument to remove frost as it may damage the wine chiller.**

**To defrost,** unplug the wine chiller. Remove the contents and wipe inside surfaces and racks with a clean towel. If frost does not come off easily, allow the frost to melt somewhat and wipe off.

**After defrosting,** make sure inside surfaces are dry; then return the contents to the wine chiller and set the temperature control to the desired setting.

## Care and cleaning.

### In the Event of a Power Failure

If the power fails, open the door as infrequently as possible to maintain the temperature. A gradual rise in temperature should not have any adverse effect on the wine.

When power is restored, the controls automatically are set to the **RED WINE** setting. If needed, reset the controls to the desired setting.

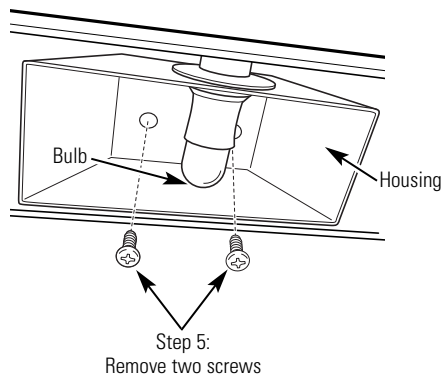
If it is extremely hot, you may want to unload the wine from the wine chiller and move the wine to a cooler location until power is restored.

### Preparing to Move

Unload the wine, then secure the racks by taping them in place to prevent damage.

*Be sure the wine chiller stays in an upright position during the move.*

## Replacing the light bulb.



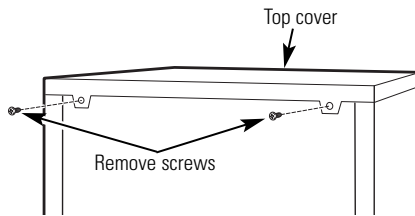
- 1 Unplug the wine chiller.
- 2 If the door is locked, unlock it.
- 3 The light bulb is located behind a light shield in the ceiling of the wine chiller near the front. To remove the light shield, remove the two screws at the back corners of the shield.
- 4 Pull down on the back of the light shield to release the two front tabs.
- 5 Remove the light bulb housing by removing the two screws that attach the housing to the ceiling of the wine chiller.
- 6 Pull the bulb out of the receptacle. Replace with a 5 watt, 12 volt bulb. This type of bulb is available at most automotive parts stores.

**WARNING:** Using a bulb rated higher than 5 watts may damage the electronic controls on the wine chiller.

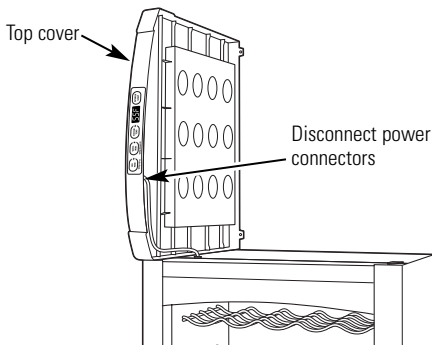
- 7 Attach the light bulb housing to the ceiling of the wine chiller with the two screws. Make sure not to pinch or damage any of the wires attached to the housing.
- 8 Line up the light shield with the indentation on the ceiling of the wine chiller, then push the front of the shield up until the front tabs clip into place. Replace the screws at the back of the shield.
- 9 Plug the wine chiller back in.



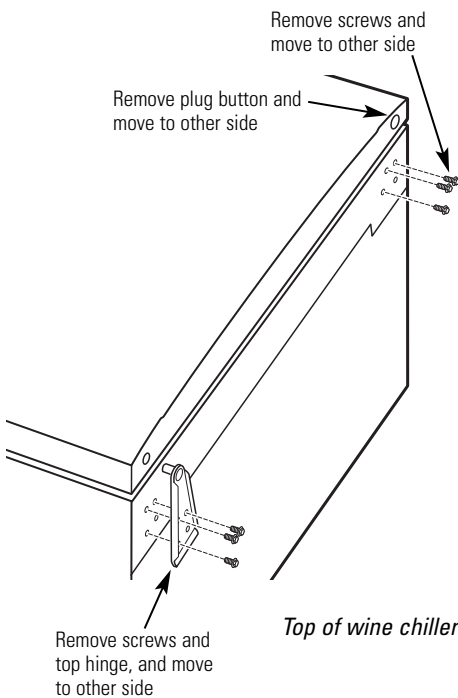
# Reversing the Door.



Back of wine chiller



Front of wine chiller

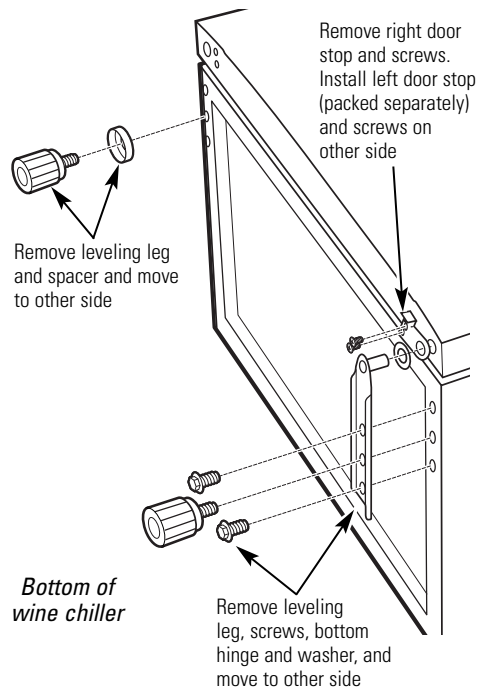


Top of wine chiller

- 1 Unplug the wine chiller.
- 2 Remove the two screws at the back of the top cover.
- 3 Lift the back of the cover up about 2" (5 cm) and then slide it forward slightly, **but do not remove**.
- 4 Tilt the top cover on its side. Locate the power connectors at the front of the cover. Disconnect each connector by pressing in on the locking tab on the side of the connector, then pulling out. Set cover aside.
- 5 Carefully lay the wine chiller on its back.
- 6 Remove the screws on the top hinge (right side). Remove the hinge.
- 7 On the opposite side, remove the screws attaching the top plate to the cabinet, and install them in the holes left vacant by the top hinge screws.
- 8 Remove the small plug button from the top left side of the door and install it in the hole on the right side.
- 9 Insert the hinge pin from the top hinge into the hole on the top left side of the door. Attach the top hinge to the cabinet with the screws.

Make sure the door is aligned with the wine chiller cabinet before tightening the screws.

## Reversing the Door.



- 70 Remove the bottom hinge by removing the screws and leveling leg.
- 71 Remove the right door stop and install the left door stop (WR13X10274), packed separately, on the opposite side.
- 72 Remove the leveling leg and spacer on the opposite side and install it on the right side.

**IMPORTANT:** The left leg has a spacer that must be moved to the right side leveling leg when the door swing is reversed.

- 73 Install the bottom hinge, with the screws and leveling leg, on the left side.
- 74 Stand the wine chiller upright.
- 75 Open and close the door, checking the alignment of the door to the cabinet. If necessary, loosen the screws attaching the top hinge to the cabinet, realign the door and retighten the screws.
- 76 Place the top cover on the cabinet and reconnect the power connections.
- 77 Slide the top cover back in place and replace the two screws.
- 78 Plug in the wine chiller. Reset the controls to the desired setting.



**Troubleshooting Tips**  
 Save time and money! Review the charts on the following pages first and you may not need to call for service.

<b>Problem</b>	<b>Possible Causes</b>	<b>What To Do</b>
<b>Wine chiller does not operate and the display is blank</b>	Wine chiller is unplugged.	• Push the plug completely into the outlet.
	The circuit breaker is tripped/ the fuse is blown.	• Replace fuse or reset the breaker.
<b>Vibration or rattling (slight vibration is normal)</b>	Wine chiller is on an uneven surface.	• See the <i>Leveling Legs</i> section.
<b>Motor operates for long periods or cycles</b>	Normal when wine chiller is first plugged in.	• Wait 12 hours for the wine chiller to completely cool down.
	Often occurs when large amounts of wine are placed in wine chiller.	• This is normal.
	Door left open.	• Door is not self-closing. Always make sure that the door is closed after opening. • Check to see if a bottle is holding door open.
	Hot weather or frequent door openings.	• This is normal.
	Temperature control set at the coldest setting.	• See <i>About the control and settings</i> .
	Wine chiller is too close to the wall.	• See the <i>Installation Guidelines</i> section for the correct clearances.
<b>Wine chiller too warm</b>	Normal when wine chiller is first plugged in.	• Wait 12 hours for the wine chiller to completely cool down.
	Often occurs when large amounts of wine are placed in wine chiller.	• This is normal.
	Temperature control not set cold enough.	• See <i>About the control and settings</i> .
	Warm weather or frequent door openings.	• Set the temperature control one step colder. See <i>About the control and settings</i> .
	Wine chiller is too close to the wall.	• See the <i>Installation Guidelines</i> section for the correct clearances.
	Door left open.	• Door is not self-closing. Always make sure that the door is closed after opening. • Check to see if a bottle is holding door open.
	If the temperature setting is not showing what you last selected, a power outage may have occurred.	• When the power came back on, the wine chiller returned to the default setting, which is <b>RED WINE</b> . Reset the control to the desired setting.

## Before you call for service...

<b>Problem</b>	<b>Possible Causes</b>	<b>What To Do</b>
<b>Wine chiller has odor</b>	Interior needs cleaning.	<ul style="list-style-type: none"> <li>• See <i>Care and cleaning</i>.</li> </ul>
<b>Moisture forms on outside of wine chiller</b>	Not unusual during periods of high humidity.	<ul style="list-style-type: none"> <li>• Wipe surface dry.</li> </ul>
<b>Moisture collects inside (in humid weather, air carries moisture into wine chiller when door is opened)</b>	Too frequent or too long door openings.	
	Wine bottles touching the back wall.	<ul style="list-style-type: none"> <li>• Reposition bottles.</li> </ul>
<b>Frost forms on interior surfaces of wine chiller</b>	This is normal.	<ul style="list-style-type: none"> <li>• See the <i>Defrosting</i> section.</li> </ul>
	Door left open.	<ul style="list-style-type: none"> <li>• Excessive frost may form if the door is left open. See the <i>Defrosting</i> section.</li> <li>• Door is not self-closing. Always make sure that the door is closed after opening.</li> <li>• Check to see if a bottle is holding door open.</li> </ul>
<b>Wine chiller too cold</b>	Temperature control is set too cold.	<ul style="list-style-type: none"> <li>• See <i>About the control and settings</i>.</li> </ul>
	If the temperature setting is not showing what you last selected, a power outage may have occurred.	<ul style="list-style-type: none"> <li>• When the power came back on, the wine chiller returned to the default setting, which is <b>RED WINE</b>. Reset the control to the desired setting.</li> </ul>
	The room temperature where the wine chiller is located is too cold.	<ul style="list-style-type: none"> <li>• For proper operation, the room temperature should be equal to or greater than the set temperature of the wine chiller.</li> </ul>
<b>Temperature in the display is not the temperature that was just set.</b>	This is normal.	<ul style="list-style-type: none"> <li>• After you set the temperature, the display will go back to showing the actual temperature.</li> </ul>
<b>Temperature pads do not respond</b>	Temperature pads have been locked.	<ul style="list-style-type: none"> <li>• To unlock, simply press and hold the <b>RED WINE</b> and the <b>INTERIOR LIGHT</b> pads at the same time for 3 seconds. <b>LOC</b> will appear in the display when the temperature pads have been locked.</li> </ul>
<b>Condensation on front of door</b>	Wine chiller is located in a high humidity environment.	<ul style="list-style-type: none"> <li>• Wipe off the condensation with a clean, dry cloth.</li> <li>• Locate the wine chiller in a lower humidity environment.</li> </ul>
<b>Water on floor behind wine chiller</b>	Door left open.	<ul style="list-style-type: none"> <li>• Door is not self-closing. Always make sure that the door is closed after opening.</li> <li>• Check to see if a bottle is holding door open.</li> </ul>

# Wine Chiller Warranty.

www.GEAppliances.ca



All warranty service provided by our Factory Service Centers, or an authorized Customer Care® technician. For service call 1-800-361-3400.

**Proof of the original purchase date is needed to obtain service under warranty.**

## For The Period Of: Camco Will Replace:

### One Year

From the date of the original purchase

**Any part** of the wine chiller which fails due to a defect in materials or workmanship. During this **limited one-year warranty**, Camco will also provide, **free of charge**, all labour and service to replace the defective part.

### Five Years

From the date of the original purchase

**The compressor** if it fails due to a defect in materials or workmanship. This **additional four-year limited warranty** does not include service labour charges or service trips to your home.

## What Camco Will Not Cover:

- Service trips to your home to teach you how to use the product.
- Improper installation.
- Failure of the product if it is abused, misused, or used for other than the intended purpose or used commercially.
- Loss of wine due to spoilage.
- Replacement of house fuses or resetting of circuit breakers
- Damage to the product caused by accident, fire, floods or acts of God.
- Incidental or consequential damage to personal property caused by possible defects with this appliance.

### Please read your Use & Care Material:

If you then have any questions about operating the product, please contact your dealer or our Consumer Affairs office at the address below, or call toll free:

Camco Inc.

1-800-361-3400

Consumer Information Service

*This warranty is extended to the original purchaser and any succeeding owner for products purchased for use in Canada.*

*Some provinces do not allow the exclusion or limitation of consequential damages, so the above limitation or exclusion may not apply to you. This warranty gives you specific legal rights, and you may also have other rights which vary from province to province. To know what your legal rights are in your province, consult your local or provincial consumer affairs office.*

### Warrantor Camco Inc.

*If further help is needed concerning this warranty, write;*

*Consumer Relations Manager - Camco Inc.*

*1 Factory Lane, Suite 310, Moncton NB E1C 9M3*

Safety Instructions

Installation Instructions

Operating Instructions

Care and Cleaning

Troubleshooting Tips

Consumer Support

## Service Telephone Numbers.

---



### *Problem Solver 1-800-361-3400*

---

For answers call Camco Inc.



### *Repair Service 1-800-361-3400*

---

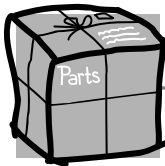
Expert Camco repair service is only a phone call away.



### *Service Contracts 1-800-461-3636*

---

Now you can have trouble-free and surprise-free service for as long as you own your appliance. While your warranty is still in effect, you can purchase a CAMCO SERVICE CONTRACT. For one low fee...just pennies a day...Camco Customer Service will take care of the repairs your appliance needs - both parts and labour.



### *Parts and Accessories 1-800-263-0686*

---

Individuals qualified to service their own appliances can have parts or accessories sent directly to their homes.

***Instructions contained in this manual cover procedures to be performed by any user. Other servicing generally should be referred to qualified service personnel. Caution must be exercised, since improper servicing may cause unsafe operation.***



### *Service Satisfaction*

---

If you are not satisfied with the service you receive from Camco, follow these steps. **First**, contact the people who serviced your appliance. **Next**, if you are still not pleased, write all the details — including your phone number — to:

Manager, Consumer Relations,  
Camco Inc., Suite 310, 1 Factory Lane,  
Moncton NB E1C 9M3

## Free Manuals Download Website

<http://myh66.com>

<http://usermanuals.us>

<http://www.somanuals.com>

<http://www.4manuals.cc>

<http://www.manual-lib.com>

<http://www.404manual.com>

<http://www.luxmanual.com>

<http://aubethermostatmanual.com>

Golf course search by state

<http://golfingnear.com>

Email search by domain

<http://emailbydomain.com>

Auto manuals search

<http://auto.somanuals.com>

TV manuals search

<http://tv.somanuals.com>