



Profile Wine Chiller

Safety Instructions2, 3

Installation Instructions4

Operating Instructions

Automatic Humidity Control6

Control Settings5, 6

Locking the Controls6

Care and Cleaning7-10

Replacing the Light Bulb8

Reversing the Door9, 10

Troubleshooting Tips11, 12

Consumer Support

Consumer Support16

Product Registration13, 14

Warranty15

**Owner's Manual
and Installation**

Write the model and serial numbers here:

Model # _____

Serial # _____

Find these numbers inside the wine chiller on the left side.



IMPORTANT SAFETY INFORMATION. READ ALL INSTRUCTIONS BEFORE USING.

⚠ WARNING!

Use this appliance only for its intended purpose as described in this Owner's Manual.



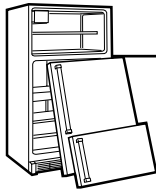
SAFETY PRECAUTIONS

When using electrical appliances, basic safety precautions should be followed, including the following:

- This wine chiller must be properly installed and located in accordance with these instructions before it is used.
 - Do not allow children to climb, stand or hang on the shelves in the wine chiller. They could damage the wine chiller and seriously injure themselves.
 - Do not store or use gasoline or other flammable vapors and liquids in the vicinity of this or any other appliance.
 - Keep fingers out of the “pinch point” areas; clearances between the doors and between the doors and cabinet are necessarily small. Be careful closing doors when children are in the area.
 - Unplug the wine chiller before cleaning and making repairs.
- NOTE:** We strongly recommend that any servicing be performed by a qualified individual.
- Do not store or install this appliance outdoors.

⚠ DANGER! RISK OF CHILD ENTRAPMENT

PROPER DISPOSAL OF THE WINE CHILLER



Child entrapment and suffocation are not problems of the past. Junked or abandoned refrigeration products are still dangerous... even if they will sit for “just a few days.” If you are getting rid of your old appliance, please follow the instructions below to help prevent accidents.

Before You Throw Away Your Old Refrigeration Product:

- Take off the doors.
- Leave the shelves in place so that children may not easily climb inside.

Refrigerants

All refrigeration products contain refrigerants, which under federal law must be removed prior to product disposal. If you are getting rid of an old refrigeration product, check with the company handling the disposal about what to do.

USE OF EXTENSION CORDS



Because of potential safety hazards under certain conditions, we strongly recommend against the use of an extension cord.

However, if you must use an extension cord, it is absolutely necessary that it be a UL-listed, 3-wire grounding type appliance extension cord having a grounding type plug and outlet and that the electrical rating of the cord be 15 amperes (minimum) and 120 volts.



HOW TO CONNECT ELECTRICITY

Do not, under any circumstances, cut or remove the third (ground) prong from the power cord. For personal safety, this appliance must be properly grounded.

The power cord of this appliance is equipped with a 3-prong (grounding) plug which mates with a standard 3-prong (grounding) wall outlet to minimize the possibility of electric shock hazard from this appliance.

Have the wall outlet and circuit checked by a qualified electrician to make sure the outlet is properly grounded.

If you have only a standard 2-prong wall outlet, it is your personal responsibility and obligation to have it replaced with a properly grounded 3-prong wall outlet.

The wine chiller should always be plugged into its own individual electrical outlet which has a voltage rating that matches the rating plate.

This provides the best performance and also prevents overloading house wiring circuits which could cause a fire hazard from overheated wires.

Never unplug your wine chiller by pulling on the power cord. Always grip plug firmly and pull straight out from the outlet.

Repair or replace immediately all power cords that have become frayed or otherwise damaged. Do not use a cord that shows cracks or abrasion damage along its length or at either end.

When moving the wine chiller away from the wall, be careful not to roll over or damage the power cord.



USE OF ADAPTER PLUGS *(Adapter plugs not permitted in Canada)*

Because of potential safety hazards under certain conditions, we strongly recommend against the use of an adapter plug.

However, if you must use an adapter, where local codes permit, a **temporary connection** may be made to a properly grounded 2-prong wall outlet by use of a UL-listed adapter available at most local hardware stores.

The larger slot in the adapter must be aligned with the larger slot in the wall outlet to provide proper polarity in the connection of the power cord.

When disconnecting the power cord from the adapter, always hold the adapter in place with one hand while pulling the power cord plug with the other hand. If this is not done, the adapter ground terminal is very likely to break with repeated use.

If the adapter ground terminal breaks, **DO NOT USE** the wine chiller until a proper ground has been established.

Attaching the adapter ground terminal to a wall outlet cover screw does not ground the appliance unless the cover screw is metal, not insulated, and the wall outlet is grounded through the house wiring. You should have the circuit checked by a qualified electrician to make sure the outlet is properly grounded.



READ AND FOLLOW THIS SAFETY INFORMATION CAREFULLY.

SAVE THESE INSTRUCTIONS

Installing the wine chiller.

Removing the Packaging

Before using the wine chiller, be sure all packing materials and tape have been removed, including the protective film covering the control and any film protecting the cabinet.

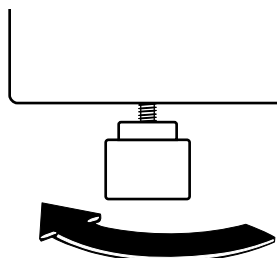
If you are discarding an old refrigeration product, remove the doors to reduce the danger of children being trapped inside.

Installation Guidelines

- The wine chiller can be freestanding or can be installed under the counter, with proper clearances.
- Allow the following clearances for ease of installation, proper air circulation and electrical connections:

Each side	1½" (38 mm)
Top	2" (51 mm)
Back	2" (51 mm)
- Do not install the wine chiller where the temperature will go below 55°F (13°C) or above 90°F (32°C).
- Install it on a level floor.
- Do not install the wine chiller where it will be subject to direct sunlight, heat or moisture.
- Do not store or install this appliance outdoors.

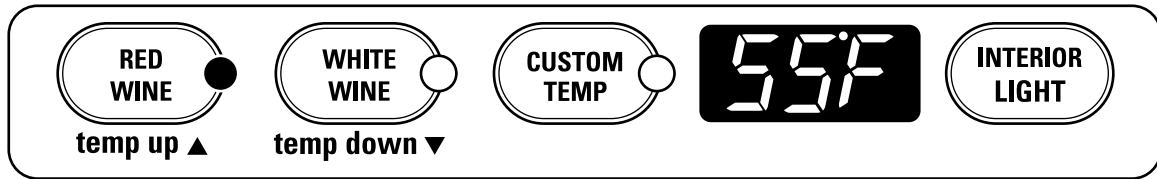
Leveling Legs



To raise the wine chiller

Adjustable legs at the front corners of the wine chiller should be set so the wine chiller is firmly positioned on the floor, with a 1/8" tilt to the back to help the door closure.

To adjust the leveling legs, turn the legs **clockwise to raise** the wine chiller, **counterclockwise to lower** it.



Control Settings

The controls give you three setting options.

RED WINE—Use for the storage of red wines. This setting will provide a storage temperature of 55°F (13°C), which is optimum for the storage of red wine.

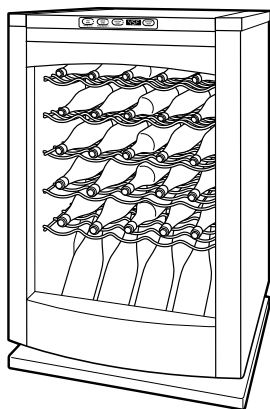
WHITE WINE—Use for the storage of white wines. This setting will provide a storage temperature of 45°F (7°C), which is optimum for the storage of white wine.

CUSTOM TEMP—This setting allows you to customize the temperature when storing both red and white wines. The custom temperature can be set anywhere between 40° to 65°F (4° to 18°C). The recommended temperature when storing half red wine and half white wine is 50°F (10°C).

Press the **CUSTOM TEMP** pad. This will convert the **RED WINE** and **WHITE WINE** pads into **temp up** and **temp down** pads. Short taps to these pads will change the temperature setting slowly. To change the temperature setting more quickly, press and hold the pad.

When you make your selection (**WHITE WINE**, **RED WINE** or **CUSTOM TEMP**) you will see the **set** temperature show up in the display. However, shortly after the selection has been made, the display will show the **actual** temperature of the wine chiller. You will then see the temperature in the display change as the **actual** temperature of the wine chiller reaches the **set** temperature.

NOTE: In the event of a power failure, when the power is restored, the controls automatically are set to the **RED WINE** setting. If needed, reset the controls to the desired setting.



Suggested bottle arrangement

Loading the Wine

As with any refrigeration product, there is a slight temperature variance at different locations within the cabinet. In this wine chiller, the lower shelves provide a slightly cooler temperature than the upper shelves.

When storing both red and white wines, it is best to store the white wine on the lower shelves where the temperature is slightly cooler.

When the Wine Chiller is Plugged In

After plugging in the wine chiller and making your selection (**WHITE WINE**, **RED WINE** or **CUSTOM TEMP**), allow the wine chiller to reach the **set** temperature before loading your wine. This may take up to 12 hours to completely stabilize.

After loading the wine, you may notice the **actual** temperature rise. The adjustment of the **actual** temperature reaching the **set** temperature will be reflected in the display. This may take up to 12 hours to completely stabilize.

About the controls and settings.

Locking the Controls

This feature allows you to lock the controls so the temperature settings cannot be changed. The interior light will still function.

To lock the controls, press and hold the **RED WINE** and **INTERIOR LIGHT** pads at the same time for 3 seconds. The word **LOC** will appear in the display to indicate the lockout feature has been activated. The display will then go back to showing the actual temperature. Anytime a temperature pad is pressed while the lockout feature is activated, **LOC** will appear in the display.

To unlock the controls, simply press and hold the **RED WINE** and **INTERIOR LIGHT** pads at the same time for 3 seconds.

Key-Ejecting Lock

The wine chiller can be locked using the spring-loaded lock located above the door.

As a safety feature, the key for the spring-loaded lock is automatically ejected and will not remain in the lock in either the open or closed position.

Wine Chiller Light

Press the **INTERIOR LIGHT** pad to turn the interior light on or off.

If you turn on the light and do not turn it off, it will automatically turn off after one hour.

Automatic Humidity Control

The inside of the wine chiller automatically maintains the necessary level of humidity to protect wine corks from drying out. As a result, frost may form on the inner surfaces. See *Care and Cleaning* for instructions on removing excessive frost buildup.

Cleaning the Outside

IMPORTANT: Unplug the wine chiller before cleaning.

Keep the outside clean. The cabinet can be washed with mild soap and water. Rinse thoroughly with clear water. Never use abrasive scouring powders.

Use a glass cleaner or mild soap and water and a soft cloth to clean the glass door. Do not use any abrasive powders.

Wipe the control panel with a damp cloth. Dry thoroughly. Do not use cleaning sprays, large amounts of soap and water, abrasives or sharp objects on the panel—they can damage it. Some paper towels can also scratch the control panel.

Do not wipe the wine chiller with a soiled dishcloth or towel. These may leave a residue that can erode the paint. Do not use scouring pads, powdered cleaners, bleach or cleaners containing bleach because these products can scratch and weaken the paint finish.

Stainless steel. Regularly clean and polish the stainless steel areas (on some models) with a commercially available stainless steel cleaner such as *Stainless Steel Magic*[®] to preserve and protect the fine finish. *Stainless Steel Magic*[®] is available through GE Parts and Accessories, 800.626.2002, or www.GEAppliances.com. Order part number WX10X15.

Do not use appliance wax or polish on the stainless steel.

Protect the paint finish. The finish on the outside of the wine chiller is a high-quality, baked-on paint finish. With proper care, it will stay new-looking and rust-free for years. Apply a coat of kitchen/appliance wax when the wine chiller is new, and then at least twice a year.

Cleaning the Inside

IMPORTANT: Unplug the wine chiller before cleaning.

To clean the inner liner and racks, use a warm water and baking soda solution—about one tablespoon (15 ml) of baking soda to a quart (1 liter) of water. This both cleans and neutralizes odors. Rinse and wipe dry.

The vinyl door gasket may be cleaned with mild soap and water or a baking soda solution. Rinse well.

Do not use detergents, scouring powders, spray cleaners or other harsh chemicals to clean the interior.

Defrosting

Defrost whenever frost on the inside surfaces of the storage area becomes 1/8" (3 mm) thick.

Never use a heater of any kind, scraper or sharp instrument to remove frost as it may damage the wine chiller.

To defrost, unplug the wine chiller. Remove the contents and wipe inside surfaces and racks with a clean towel. If frost does not come off easily, allow the frost to melt somewhat and wipe off.

After defrosting, make sure inside surfaces are dry; then return the contents to the wine chiller and set the temperature control to the desired setting.

Care and cleaning.

In the Event of a Power Failure

If the power fails, open the door as infrequently as possible to maintain the temperature. A gradual rise in temperature should not have any adverse effect on the wine.

When power is restored, the controls automatically are set to the **RED WINE** setting. If needed, reset the controls to the desired setting.

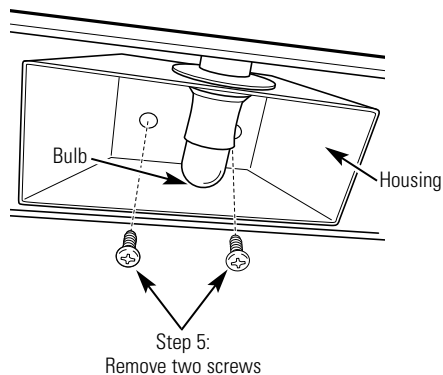
If it is extremely hot, you may want to unload the wine from the wine chiller and move the wine to a cooler location until power is restored.

Preparing to Move

Unload the wine, then secure the racks by taping them in place to prevent damage.

Be sure the wine chiller stays in an upright position during the move.

Replacing the light bulb.



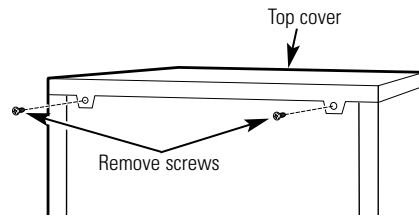
- 1 Unplug the wine chiller.
- 2 If the door is locked, unlock it.
- 3 The light bulb is located behind a light shield in the ceiling of the wine chiller near the front. To remove the light shield, remove the two screws at the back corners of the shield.
- 4 Pull down on the back of the light shield to release the two front tabs.
- 5 Remove the light bulb housing by removing the two screws that attach the housing to the ceiling of the wine chiller.
- 6 Pull the bulb out of the receptacle. Replace with a 5 watt, 12 volt bulb. This type of bulb is available at most automotive parts stores.

WARNING: Using a bulb rated higher than 5 watts may damage the electronic controls on the wine chiller.

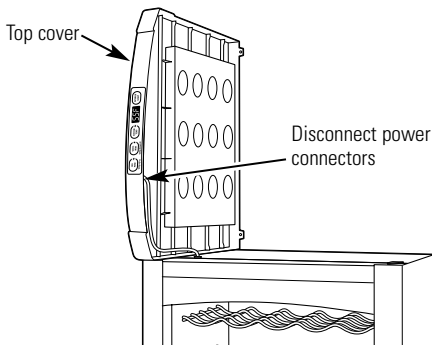
- 7 Attach the light bulb housing to the ceiling of the wine chiller with the two screws. Make sure not to pinch or damage any of the wires attached to the housing.
- 8 Line up the light shield with the indentation on the ceiling of the wine chiller, then push the front of the shield up until the front tabs clip into place. Replace the screws at the back of the shield.
- 9 Plug the wine chiller back in.

Reversing the Door.

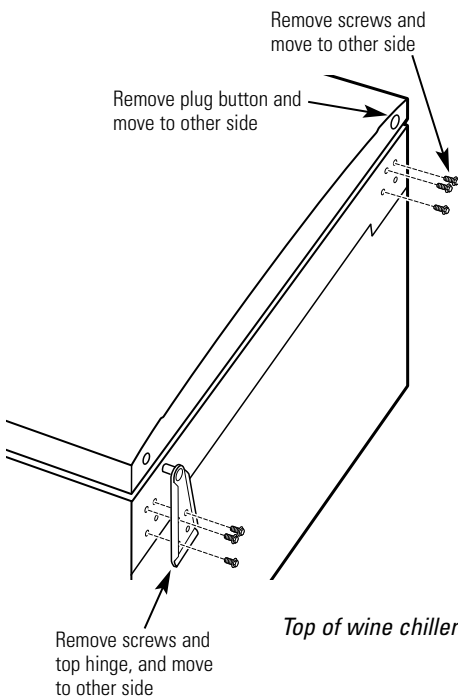
www.GEAppliances.com



Back of wine chiller



Front of wine chiller



- 1 Unplug the wine chiller.
- 2 Remove the two screws at the back of the top cover.
- 3 Lift the back of the cover up about 2" (5 cm) and then slide it forward slightly, **but do not remove**.
- 4 Tilt the top cover on its side. Locate the power connectors at the front of the cover. Disconnect each connector by pressing in on the locking tab on the side of the connector, then pulling out. Set cover aside.
- 5 Carefully lay the wine chiller on its back.
- 6 Remove the screws on the top hinge (right side). Remove the hinge.
- 7 On the opposite side, remove the screws attaching the top plate to the cabinet, and install them in the holes left vacant by the top hinge screws.
- 8 Remove the small plug button from the top left side of the door and install it in the hole on the right side.
- 9 Insert the hinge pin from the top hinge into the hole on the top left side of the door. Attach the top hinge to the cabinet with the screws.

Make sure the door is aligned with the wine chiller cabinet before tightening the screws.

Safety Instructions

Installation Instructions

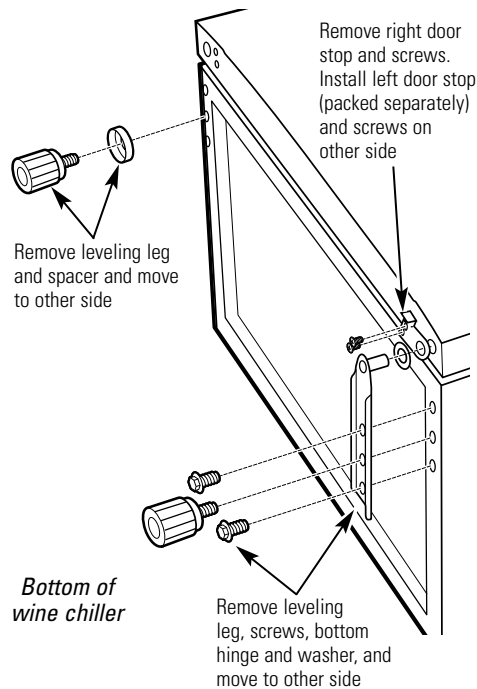
Operating Instructions

Care and Cleaning

Troubleshooting Tips

Consumer Support

Reversing the Door.



- 70 Remove the bottom hinge by removing the screws and leveling leg.
- 71 Remove the right door stop and install the left door stop (WR13X10274), packed separately, on the opposite side.
- 72 Remove the leveling leg and spacer on the opposite side and install it on the right side.

IMPORTANT: The left leg has a spacer that must be moved to the right side leveling leg when the door swing is reversed.

- 73 Install the bottom hinge, with the screws and leveling leg, on the left side.
- 74 Stand the wine chiller upright.
- 75 Open and close the door, checking the alignment of the door to the cabinet. If necessary, loosen the screws attaching the top hinge to the cabinet, realign the door and retighten the screws.
- 76 Place the top cover on the cabinet and reconnect the power connections.
- 77 Slide the top cover back in place and replace the two screws.
- 78 Plug in the wine chiller. Reset the controls to the desired setting.



Troubleshooting Tips
 Save time and money! Review the charts on the following pages first and you may not need to call for service.

Problem	Possible Causes	What To Do
Wine chiller does not operate and the display is blank	Wine chiller is unplugged.	• Push the plug completely into the outlet.
	The circuit breaker is tripped/ the fuse is blown.	• Replace fuse or reset the breaker.
Vibration or rattling (slight vibration is normal)	Wine chiller is on an uneven surface.	• See the <i>Leveling Legs</i> section.
Motor operates for long periods or cycles	Normal when wine chiller is first plugged in.	• Wait 12 hours for the wine chiller to completely cool down.
	Often occurs when large amounts of wine are placed in wine chiller.	• This is normal.
	Door left open.	• Door is not self-closing. Always make sure that the door is closed after opening. • Check to see if a bottle is holding door open.
	Hot weather or frequent door openings.	• This is normal.
	Temperature control set at the coldest setting.	• See <i>About the control and settings</i> .
	Wine chiller is too close to the wall.	• See the <i>Installation Guidelines</i> section for the correct clearances.
Wine chiller too warm	Normal when wine chiller is first plugged in.	• Wait 12 hours for the wine chiller to completely cool down.
	Often occurs when large amounts of wine are placed in wine chiller.	• This is normal.
	Temperature control not set cold enough.	• See <i>About the control and settings</i> .
	Warm weather or frequent door openings.	• Set the temperature control one step colder. See <i>About the control and settings</i> .
	Wine chiller is too close to the wall.	• See the <i>Installation Guidelines</i> section for the correct clearances.
	Door left open.	• Door is not self-closing. Always make sure that the door is closed after opening. • Check to see if a bottle is holding door open.
	If the temperature setting is not showing what you last selected, a power outage may have occurred.	• When the power came back on, the wine chiller returned to the default setting, which is RED WINE . Reset the control to the desired setting.

Before you call for service...

Problem	Possible Causes	What To Do
Wine chiller has odor	Interior needs cleaning.	<ul style="list-style-type: none"> • See <i>Care and cleaning</i>.
Moisture forms on outside of wine chiller	Not unusual during periods of high humidity.	<ul style="list-style-type: none"> • Wipe surface dry.
Moisture collects inside (in humid weather, air carries moisture into wine chiller when door is opened)	Too frequent or too long door openings.	
	Wine bottles touching the back wall.	<ul style="list-style-type: none"> • Reposition bottles.
Frost forms on interior surfaces of wine chiller	This is normal.	<ul style="list-style-type: none"> • See the <i>Defrosting</i> section.
	Door left open.	<ul style="list-style-type: none"> • Excessive frost may form if the door is left open. See the <i>Defrosting</i> section. • Door is not self-closing. Always make sure that the door is closed after opening. • Check to see if a bottle is holding door open.
Wine chiller too cold	Temperature control is set too cold.	<ul style="list-style-type: none"> • See <i>About the control and settings</i>.
	If the temperature setting is not showing what you last selected, a power outage may have occurred.	<ul style="list-style-type: none"> • When the power came back on, the wine chiller returned to the default setting, which is RED WINE. Reset the control to the desired setting.
	The room temperature where the wine chiller is located is too cold.	<ul style="list-style-type: none"> • For proper operation, the room temperature should be equal to or greater than the set temperature of the wine chiller.
Temperature in the display is not the temperature that was just set.	This is normal.	<ul style="list-style-type: none"> • After you set the temperature, the display will go back to showing the actual temperature.
Temperature pads do not respond	Temperature pads have been locked.	<ul style="list-style-type: none"> • To unlock, simply press and hold the RED WINE and the INTERIOR LIGHT pads at the same time for 3 seconds. LOC will appear in the display when the temperature pads have been locked.
Condensation on front of door	Wine chiller is located in a high humidity environment.	<ul style="list-style-type: none"> • Wipe off the condensation with a clean, dry cloth. • Locate the wine chiller in a lower humidity environment.
Water on floor behind wine chiller	Door left open.	<ul style="list-style-type: none"> • Door is not self-closing. Always make sure that the door is closed after opening. • Check to see if a bottle is holding door open.

GE Service Protection Plus™

GE, a name recognized worldwide for quality and dependability, offers you Service Protection Plus™—comprehensive protection on all your appliances—**No Matter What Brand!**

Benefits Include:

- Backed by GE
- All brands covered
- Unlimited service calls
- All parts and labor costs included
- No out-of-pocket expenses
- No hidden deductibles
- One 800 number to call

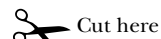
***We'll Cover Any Appliance.
Anywhere. Anytime.****

You will be completely satisfied with our service protection or you may request your money back on the remaining value of your contract. No questions asked. It's that simple.

Protect your refrigerator, dishwasher, washer and dryer, range, TV, VCR and much more—**any brand!** Plus there's no extra charge for emergency service and low monthly financing is available. Even icemaker coverage and food spoilage protection is offered. You can rest easy, knowing that all your valuable household products are protected against expensive repairs.

Place your confidence in GE and call us in the U.S. toll-free at **800.626.2224** for more information.

*All brands covered, up to 20 years old, in the continental U.S.



Please place in envelope and mail to:

General Electric Company
Warranty Registration Department
P.O. Box 32150
Louisville, KY 40232-2150

Consumer Product Ownership Registration

Dear Customer:

Thank you for purchasing our product and thank you for placing your confidence in us.

We are proud to have you as a customer!

Follow these three steps to protect your new appliance investment:

1

Complete and mail your Consumer Product Ownership Registration today. Have the peace of mind of knowing we can contact you in the unlikely event of a safety modification.

2

After mailing the registration below, store this document in a safe place. It contains information you will need should you require service. Our service number is 800.GE.CARES (800.432.2737).

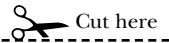
3

Read your Owner's Manual carefully. It will help you operate your new appliance properly.

Model Number

Serial Number

Important: If you did not get a registration card with your product, detach and return the form below to ensure that your product is registered, or register online at www.GEAppliances.com.



Consumer Product Ownership Registration



Model Number

Serial Number

Mr. Ms. Mrs. Miss

First Name

Last Name

Street Address

Apt. #

E-mail Address*

City

State

Zip Code

Date Placed In Use
Month

Day

Year

Phone Number - -

* Please provide your e-mail address to receive, via e-mail, discounts, special offers and other important communications from GE Appliances (GEA).

Check here if you do not want to receive communications from GEA's carefully selected partners.



GE Appliances

General Electric Company
Louisville, Kentucky
www.GEAppliances.com

Wine Chiller Warranty.



All warranty service provided by our Factory Service Centers, or an authorized Customer Care® technician. To schedule service, on-line, 24 hours a day, visit us at www.GEAppliances.com, or call 800.GE.CARES (800.432.2737) (U.S.), 1.800.361.3400 (Canada).

Staple your receipt here.
Proof of the original purchase date is needed to obtain service under the warranty.

For The Period Of:	GE Will Replace:
One Year From the date of the original purchase	Any part of the wine chiller which fails due to a defect in materials or workmanship. During this limited one-year warranty , GE will also provide, free of charge , all labor (does not include service trips to your home) to replace the defective part.
Five Years From the date of the original purchase	The compressor if it fails due to a defect in materials or workmanship. This additional four-year limited warranty does not include service labor charges or service trips to your home.

What GE Will Not Cover:

- Service trips to your home to teach you how to use the product.
- Improper installation.
- Failure of the product if it is abused, misused, or used for other than the intended purpose or used commercially.
- Loss of wine due to spoilage.
- Replacement of house fuses or resetting of circuit breakers.
- Damage to the product caused by accident, fire, floods or acts of God.
- Incidental or consequential damage caused by possible defects with this appliance.

This warranty is extended to the original purchaser and any succeeding owner for products purchased for home use within the USA and Canada. In Alaska, the warranty excludes the cost of shipping or service calls to your home.

Some states and provinces do not allow the exclusion or limitation of incidental or consequential damages. This warranty gives you specific legal rights, and you may also have other rights which vary from state to state and province to province. To know what your legal rights are, consult your local, state or province consumer affairs office or your state's or province's Attorney General.

Warrantor: General Electric Company, Louisville, KY 40225
Camco Inc., Suite 310, 1 Factory Lane, Moncton, N.B. E1C 9M3

Safety Instructions

Installation Instructions

Operating Instructions

Care and Cleaning

Troubleshooting Tips

Consumer Support

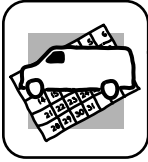
Consumer Support.



GE Appliances Website

www.GEAppliances.com

Have a question or need assistance with your appliance? Try the GE Appliances Website 24 hours a day, any day of the year! For greater convenience and faster service, you can now download Owner's Manuals, order parts, catalogs, or even schedule service on-line. You can also "Ask Our Team of Experts™" your questions, and so much more...



Schedule Service

www.GEAppliances.com

Expert GE repair service is only one step away from your door. Get on-line and schedule your service at your convenience 24 hours any day of the year! Or call 800.GE.CARES (800.432.2737) during normal business hours.



Real Life Design Studio

www.GEAppliances.com

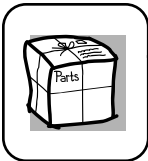
GE supports the Universal Design concept—products, services and environments that can be used by people of all ages, sizes and capabilities. We recognize the need to design for a wide range of physical and mental abilities and impairments. For details of GE's Universal Design applications, including kitchen design ideas for people with disabilities, check out our Website today. For the hearing impaired, please call 800.TDD.GEAC (800.833.4322).



Extended Warranties

www.GEAppliances.com

Purchase a GE extended warranty and learn about special discounts that are available while your warranty is still in effect. You can purchase it on-line anytime, or call 800.626.2224 during normal business hours. GE Consumer Home Services will still be there after your warranty expires.

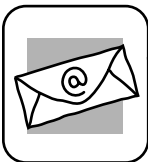


Parts and Accessories

www.GEAppliances.com

Individuals qualified to service their own appliances can have parts or accessories sent directly to their homes (VISA, MasterCard and Discover cards are accepted). Order on-line today, 24 hours every day or by phone at 800.626.2002 during normal business hours.

Instructions contained in this manual cover procedures to be performed by any user. Other servicing generally should be referred to qualified service personnel. Caution must be exercised, since improper servicing may cause unsafe operation.



Contact Us

www.GEAppliances.com

If you are not satisfied with the service you receive from GE, contact us on our Website with all the details including your phone number, or write to: General Manager, Customer Relations
GE Appliances, Appliance Park
Louisville, KY 40225



Register Your Appliance

www.GEAppliances.com

Register your new appliance on-line—at your convenience! Timely product registration will allow for enhanced communication and prompt service under the terms of your warranty, should the need arise. You may also mail in the pre-printed registration card included in the packing material.



Profile Enfriador de vinos

Información de seguridad 2-4

Instrucciones de instalación 5

Instrucciones de operación

Control automático de
la humedad 7

Ajustes de control 6, 7

Bloqueo de los controles 7

Cuidado y limpieza 8-11

Cómo invertir el vaivén
de la puerta 10, 11

Reemplazo de la bombilla 9

Solucionar problemas 12, 13

Soporte al consumidor

Garantía 15

Soporte al consumidor 16

**Manual del propietario
e instalación**

Escriba el modelo y los números de serie a continuación:

Modelo No: _____

Serie No: _____

Encuentre estos números al interior del enfriador de vinos, al lado izquierdo.



IMPORTANTE INFORMACIÓN DE SEGURIDAD. LEA TODAS LAS INSTRUCCIONES ANTES DEL USO.

Seguridad

Instalación

Operación

Cuidado y limpieza

Solucionar problemas

SopORTE al consumidor

⚠ ¡ADVERTENCIA!

Use este aparato sólo para el propósito para el cual fue diseñado como se describe en este manual del propietario.

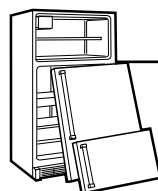


PRECAUCIONES DE SEGURIDAD

Al usar aparatos eléctricos, se deben seguir precauciones básicas de seguridad, incluyendo las siguientes:

- Se debe instalar y localizar este enfriador de vinos de forma adecuada según estas instrucciones antes de usarlo.
 - No permita que los niños se suban, se paren o se cuelguen de los estantes del enfriador de vinos. Podrían dañar el enfriador de vinos y lesionarse seriamente.
 - No almacene ni use gasolina u otros vapores y líquidos inflamables cerca de éste o cualquier otro aparato.
 - Mantenga los dedos fuera de las áreas donde se pueda pellizcar; los espacios entre las puertas y entre éstas y el gabinete son necesariamente pequeños. Tenga cuidado al cerrar las puertas cuando haya niños cerca.
 - Desconecte el enfriador de vinos antes de realizar limpieza y reparaciones.
- NOTA:** Recomendamos enfáticamente que cualquier servicio de mantenimiento lo realice un individuo calificado.
- No almacene o instale este aparato en el exterior.

⚠ ¡PELIGRO! RIESGO DE ENCERRAMIENTO PARA LOS NIÑOS



ELIMINACIÓN ADECUADA DEL ENFRIADOR DE VINOS

Niños atrapados y asfixiados no es un problema del pasado; los refrigeradores desechados o abandonados siguen siendo peligrosos... incluso si se les deja por "pocos días." Si va a desechar su antiguo aparato, sírvase seguir las siguientes instrucciones que lo ayudarán a prevenir accidentes.

Antes de desechar su antiguo refrigerador:

- Retire las puertas.
- Deje los estantes en su lugar de forma que los niños no puedan entrar fácilmente al interior.

Refrigerantes

Todos los aparatos de refrigeración contienen refrigerantes, los cuales se deben retirar antes de la eliminación del producto de acuerdo con la ley federal. Si va a desechar algún aparato antiguo de refrigeración, consulte con la compañía a cargo de desechar el aparato para saber qué hacer.



USO DE CABLES DE EXTENSIÓN

Debido a los peligros potenciales para la seguridad bajo ciertas condiciones, recomendamos enfáticamente no usar cables de extensión.

Sin embargo, si debe usar un cable de extensión, es absolutamente necesario que esté incluido en la lista UL, un cable de extensión para electrodomésticos con conexión a tierra de tres alambres que tenga enchufe y tomacorriente con conexión a tierra y cuya calificación eléctrica sea de 15 amperios (mínimo) y 120 voltios.



CÓMO CONECTAR LA ELECTRICIDAD

Bajo ninguna circunstancia corte o retire la tercera pata (conexión a tierra) del cable de alimentación. Por seguridad personal, este aparato debe estar conectado a tierra correctamente.

El cable de alimentación de este aparato está equipado con un enchufe de tres patas (con conexión a tierra), el cual se acopla a un tomacorriente estándar de pared de tres patas (con conexión a tierra) para minimizar la posibilidad de peligro de una descarga eléctrica de este aparato.

Haga que un electricista calificado revise el tomacorriente de pared y el circuito para cerciorarse de que el tomacorriente está conectado a tierra correctamente.

Si sólo tiene un tomacorriente estándar de pared para dos patas, es su responsabilidad y obligación reemplazarlo por un tomacorriente de pared de 3 patas conectado a tierra correctamente.

El enfriador de vinos siempre debe estar conectado en su propio tomacorriente individual que tenga la calificación de voltaje necesaria.

Esto brinda un mejor desempeño y también evita que los circuitos de la casa se sobrecarguen, lo que podría causar un riesgo de incendio por cables sobrecalentados.

Nunca desconecte su enfriador de vinos tirando del cable de alimentación. Siempre agarre firmemente el enchufe y retírelo del tomacorriente.

Repare o reemplace inmediatamente todos los cables de alimentación que estén pelados o dañados. No use cables que presenten rajaduras o daños por abrasión a lo largo de su extensión o en los extremos.

Cuando mueva el enfriador de vinos lejos de la pared, tenga cuidado de no voltear o dañar el cable de alimentación.

IMPORTANTE INFORMACIÓN DE SEGURIDAD. LEA TODAS LAS INSTRUCCIONES ANTES DEL USO.

Seguridad

Instalación

Operación

Cuidado y limpieza

Solucionar problemas

SopORTE al consumidor



USO DE ENCHUFES ADAPTADORES

Debido a los peligros potenciales para la seguridad bajo ciertas condiciones, recomendamos **enfáticamente no usar enchufes adaptadores.**

Sin embargo, si debe usar un adaptador, donde los códigos locales lo permitan, es posible realizar una **conexión temporal** en un tomacorriente de pared conectado a tierra correctamente usando un adaptador de la lista UL que se encuentra en la mayoría de las ferreterías locales.

Se debe alinear la ranura más grande del adaptador con la ranura más grande del tomacorriente de pared para brindar la polaridad adecuada en la conexión del cable de alimentación.

Al desconectar el cable de alimentación del adaptador, siempre sostenga el adaptador en su lugar con una mano, mientras que con la otra

hala el cable de alimentación. Si no se hace así, es muy probable que el terminal del adaptador se rompa con el uso.

Si el terminal del adaptador se rompe, **NO USE** el enfriador de vinos hasta que se vuelva a establecer la conexión a tierra.

Conectar el terminal del adaptador a un tornillo de la tapa del tomacorriente no es equivalente a una conexión a tierra a menos que el tornillo sea metálico, no aislado, y el tomacorriente de pared tenga conexión a tierra a través del cableado de la casa. Un electricista calificado debe revisar el circuito para cerciorarse de que el tomacorriente está conectado a tierra correctamente.



LEA Y SIGA CUIDADOSAMENTE ESTA INFORMACIÓN DE SEGURIDAD

GUARDE ESTAS INSTRUCCIONES

Retirar el empaque

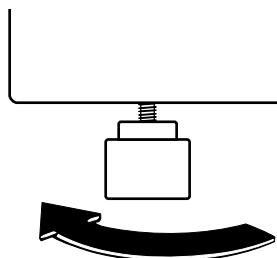
Antes de usar el enfriador de vinos, asegúrese de que se hayan retirado todos los materiales de empaque y la cinta, incluyendo la película de protección que cubre el control y protege el gabinete.

Si está cambiando un aparato antiguo de refrigeración, retire las puertas para reducir el peligro de que los niños puedan quedarse atrapados al interior.

Pautas para la instalación

- El enfriador de vinos se puede instalar de manera independiente o debajo del mostrador, permitiendo los espacios adecuados.
- Deje los siguientes espacios para facilitar la instalación, permitir una circulación apropiada del aire y las conexiones eléctricas:

A cada costado	1½" (38 mm)
Parte superior	2" (51 mm)
Parte posterior	2" (51 mm)
- No instale el enfriador de vinos donde la temperatura baje de 55° F (13° C) o suba por encima de 90° F (32° C).
- Instálelo en un piso nivelado.
- No instale el enfriador de vinos donde esté sujeto a la luz directa del sol, calor o humedad.
- No almacene o instale este aparato en el exterior.



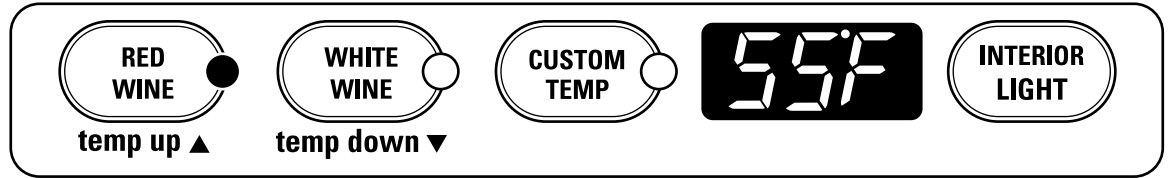
Para levantar el enfriador de vinos.

Cómo nivelar las patas

Se deben colocar las **patas ajustables** en las esquinas delanteras del enfriador de vinos de forma que se posicione firmemente sobre el piso con una inclinación de 1/8" hacia la parte posterior para ayudar a que la puerta se cierre.

Para ajustar las patas de nivelación, voltee las patas **en el sentido de las manecillas del reloj para levantar** el enfriador de vinos, y **en sentido contrario para bajarlo**.

Acerca de los controles y ajustes.



Ajustes de los controles

Los controles le permiten tres opciones de ajuste.

RED WINE (vino tinto)—Se usa para el almacenamiento de vinos tintos. Este ajuste permite una temperatura de almacenamiento de 55° F (13° C), la cual es óptima para el almacenamiento de vino tinto.

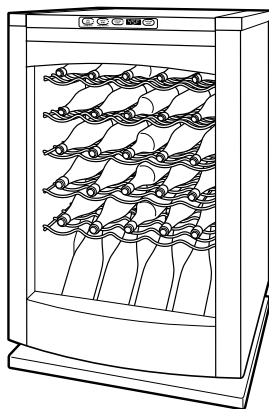
WHITE WINE (vino blanco)—Se usa para el almacenamiento de vinos blancos. Este ajuste permite una temperatura de almacenamiento de 45° F (7° C), la cual es óptima para el almacenamiento de vino blanco.

CUSTOM TEMP (adaptar temperatura)—Este ajuste le permite personalizar la temperatura cuando almacene tanto vinos tintos como blancos entre 40° y 65° F (desde 4° hasta 18° C). La temperatura recomendada cuando almacena mitad de vinos tintos y mitad de vinos blancos es de 50° F (10° C).

Presione el botón **CUSTOM TEMP**. Esto convierte a los botones **RED WINE** y **WHITE WINE** en **temp up (subir temperatura)** y **temp down (bajar temperatura)**. Tocar suavemente estos botones hará que la temperatura cambie lentamente. Para cambiar de temperatura más rápidamente, mantenga presionado el botón.

Cuando haga su selección (**WHITE WINE**, **RED WINE** o **CUSTOM TEMP**), observará la temperatura **establecida** en la pantalla. Sin embargo, poco después de hacer la selección, la pantalla mostrará la temperatura **real** del enfriador de vinos. Luego, verá que la temperatura cambia en la pantalla a medida que la temperatura **real** del enfriador de vinos alcanza la temperatura **establecida**.

NOTA: En el caso de que suceda una interrupción en el servicio eléctrico, cuando la energía sea restaurada, los controles serán ajustados automáticamente a **RED WINE**. Si es necesario, reajuste los controles al ajuste deseado.



Patrón sugerido de carga

Cómo cargar el enfriador de vinos

Al igual que cualquier aparato de refrigeración, existe una ligera variación de temperatura en diferentes sitios dentro del gabinete. En este enfriador de vinos, los estantes bajos ofrecen una temperatura ligeramente más fría que los estantes superiores.

Cuando se almacenan tanto vinos blancos como tintos, lo mejor es almacenar el vino blanco en los estantes inferiores donde la temperatura es ligeramente más fría.

Al conectar el enfriador de vinos

Después de conectar el enfriador de vinos y hacer su selección (**WHITE WINE**, **RED WINE** o **CUSTOM TEMP**), permita que el enfriador de vinos alcance la temperatura **establecida** antes de cargar el vino. Esto puede tomar hasta doce horas para estabilizarse completamente.

Después de cargar el vino, quizás observe que la temperatura **real** aumenta. El ajuste de la temperatura **real** que alcanza la temperatura **establecida** se reflejará en la pantalla. Esto puede tomar hasta doce horas para estabilizarse completamente.

Bloqueo de los controles

Esta función le permite bloquear los controles de forma que no se puedan cambiar los niveles de temperatura. La luz interior seguirá funcionando.

Para bloquear los controles, presione y sostenga los botones **RED WINE (vino tinto)** y **INTERIOR LIGHT (luz interior)** al mismo tiempo por 3 segundos. La palabra **LOC (bloqueo)** aparece en la pantalla para indicar que se ha activado la función de bloqueo. Luego, la pantalla muestra

nuevamente la temperatura real. En cualquier momento que se presione un botón de temperatura mientras esté activada la función de bloqueo, la palabra **LOC** aparece en la pantalla.

Para desbloquear los controles, simplemente presione y sostenga los botones **RED WINE** e **INTERIOR LIGHT** al mismo tiempo por tres segundos.

Seguro eyector de llave

Se puede bloquear el enfriador de vinos usando el seguro de resorte localizado arriba de la puerta.

Como una característica de seguridad, la llave del seguro de resorte se salta automáticamente y no permanece en el seguro en ninguna de las posiciones.

Luz del enfriador de vinos

Presione el botón **INTERIOR LIGHT** para encender o apagar la luz interior.

Si enciende la luz y no la apaga, ésta se apaga automáticamente una hora después.

Control automático de la humedad

El interior del enfriador de vinos mantiene automáticamente el nivel necesario de humedad para evitar que el corcho de los vinos se seque. Como resultado, se puede formar escarcha en las superficies interiores. Consulte la sección *Cuidado y limpieza* para instrucciones de cómo retirar la formación excesiva de escarcha.

Cuidado y limpieza.

Seguridad

Instalación

Operación

Cuidado y limpieza

Solucionar problemas

SopORTE al consumidor

Limpieza del exterior

IMPORTANTE: Desconecte el enfriador de vinos antes de la limpieza.

Mantenga el exterior limpio. Se puede lavar el gabinete con jabón suave y agua. Enjuague completamente con agua limpia. Nunca utilice limpiadores abrasivos en polvo.

Use un limpiador de vidrios o un jabón suave, agua y un paño suave para limpiar la puerta de cristal. No utilice un limpiador abrasivo en polvo.

Limpie el panel de control con un paño húmedo. Seque completamente. No use atomizadores de limpieza, grandes cantidades de jabón y agua, abrasivos u objetos puntiagudos en el panel que lo pueden dañar. Algunas toallas de papel también pueden rayar el panel de control.

No limpie el enfriador de vinos con un trapo o toalla sucia para secar platos, ya que puede dejar residuos que pueden corroer la pintura. No utilice almohadillas abrasivas, limpiadores en polvo, blanqueadores o limpiadores que contengan blanqueadores ya que estos productos pueden rayar y debilitar el acabado de la pintura.

Acero inoxidable. Con frecuencia limpie y brille las áreas de acero inoxidable (en algunos modelos) con un limpiador de acero inoxidable comercialmente disponible como *Stainless Steel Magic*® para preservar el fino acabado. *Stainless Steel Magic*® está disponible a través del departamento de Partes y Accesorios de GE, en el 800.626.2002, o en www.GEAppliances.com. Ordene el número de parte WX10X15.

No utilice cera o pomadas para electrodomésticos en el acero inoxidable.

Proteja el acabado de pintura. El acabado en la parte exterior del enfriador de vinos es de alta calidad, un acabado de pintura horneada. Con el cuidado apropiado, permanecerá como nuevo y libre de óxido por años. Aplique una capa de cera para cocina/electrodomésticos cuando el enfriador de vinos esté nuevo y de ahí en adelante por lo menos dos veces por año.

Limpieza del interior

IMPORTANTE: Desconecte el enfriador de vinos antes de la limpieza.

Para limpiar los estantes y el interior, use agua tibia y una solución de bicarbonato de soda; una cucharada (15 ml) de bicarbonato de soda por un cuarto (un litro) de agua. Esto limpia y neutraliza los olores. Enjuague y seque.

Se puede limpiar el empaque de vinilo de la puerta con jabón suave y agua o una solución de bicarbonato de soda. Enjuague bien.

No use detergentes, limpiadores en polvo, limpiadores en atomizador u otros químicos fuertes para limpiar el interior.

Descongelación

Descongele cuando la escarcha en las superficies interiores del área de almacenamiento tenga un espesor mayor de 1/8" (3 mm).

Nunca use un calentador de ninguna clase, espátula o un instrumento punzante para retirar la escarcha ya que puede dañar el enfriador de vinos.

Para descongelar, desconecte el enfriador de vinos. Retire el contenido y limpie las superficies y los estantes interiores con una toalla limpia. Si la escarcha no sale fácilmente, permita que la escarcha se derrita un poco y después limpie.

Después de descongelar, cerciórese de que las superficies interiores estén secas, luego regrese el contenido al enfriador de vinos y fije el control de la temperatura al nivel deseado.

En el evento de una falla de energía

Si la energía falla, abra las puertas lo menos que pueda para mantener la temperatura. Un aumento gradual en la temperatura no debería causar ningún efecto adverso en el vino.

Si hace calor extremo, descargar el vino del enfriador de vinos y trasladarlo a un sitio más frío hasta que se restablezca la energía.

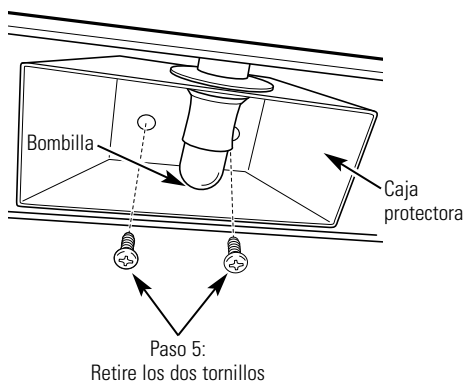
Cuando se reestablece la energía, los controles se establecen automáticamente en el nivel **RED WINE (vino tinto)**. Si es necesario, vuelva a establecer los controles en el nivel deseado.

Cómo prepararse para un traslado

Descargue el vino, luego asegure los estantes con cinta en su lugar para evitar cualquier daño.

Asegúrese de que el enfriador de vinos permanezca en posición vertical durante el traslado.

Cómo reemplazar la bombilla.



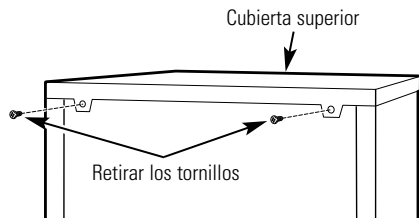
- 1 Desconecte el enfriador de vinos.
- 2 Si la puerta está asegurada, quite el seguro.
- 3 La bombilla está ubicada detrás de un protector de la bombilla en el techo del enfriador de vinos cerca al frente. Para retirar el protector de la bombilla, retire los dos tornillos de las esquinas posteriores del protector.
- 4 Empuje la parte posterior del protector de la bombilla hacia abajo para liberar las dos lengüetas delanteras.
- 5 Retire la caja protectora de la bombilla quitando los dos tornillos que unen la caja protectora al techo del enfriador de vinos.
- 6 Saque la bombilla del receptáculo. Reemplace con una bombilla de 5 vatios, 12 voltios. Este tipo de bombilla está disponible en la mayoría de las tiendas de partes automotrices.

¡ADVERTENCIA! Usar una bombilla de más de 5 vatios puede dañar los controles eléctricos del enfriador de vinos.

- 7 Una la caja protectora de la bombilla al techo del enfriador de vinos con los dos tornillos. Cerciórese de no pellizcar o dañar alguno de los cables conectados a la caja protectora.
- 8 Alinee el protector de la bombilla con la hendidura del techo del enfriador de vinos, luego empuje el frente del protector hacia arriba hasta que las lengüetas delanteras encajen en su lugar. Reemplace los tornillos en la parte posterior del protector.
- 9 Conecte nuevamente el enfriador de vinos.

Cómo invertir el vaivén de la puerta.

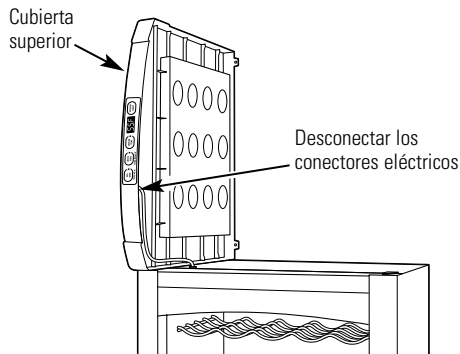
Seguridad



Parte posterior del enfriador de vinos

- 1 Desconecte el enfriador de vinos.
- 2 Retire los dos tornillos de la parte posterior de la cubierta superior.
- 3 Levante la parte posterior de la cubierta aproximadamente 2" (5 cm) y luego deslícela hacia delante, **pero no la retire.**

Instalación

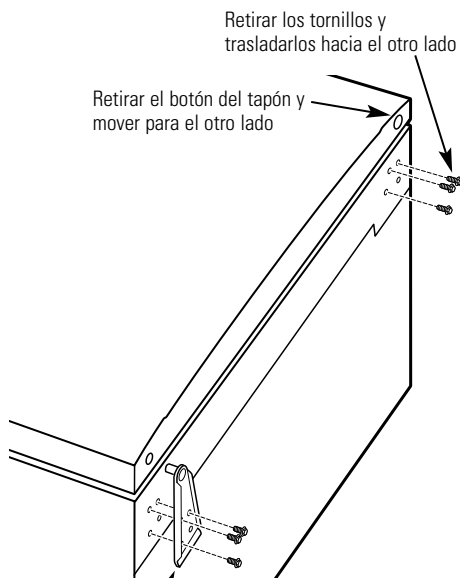


Frente del enfriador de vinos

- 4 Incline la cubierta superior sobre su costado. Localice los conectores eléctricos al frente de la cubierta. Desconecte cada conector presionando la lengüeta de bloqueo en el costado del conector; luego hágalo. Deje la cubierta a un lado.

Operación

Cuidado y limpieza



Parte superior del enfriador de vinos

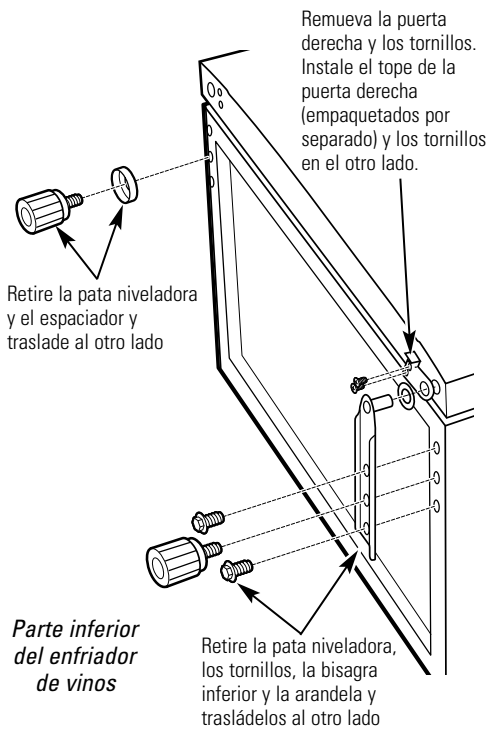
- 5 Cuidadosamente coloque el enfriador de vinos hacia arriba.
- 6 Retire los tornillos de la bisagra superior (lado derecho). Retire la bisagra.
- 7 En el lado opuesto, retire los tornillos uniendo la placa superior al gabinete, e instálelos en los orificios que dejan vacantes los tornillos de la bisagra superior.
- 8 Retire el botón pequeño del tapón del lado izquierdo superior de la puerta e instálelo en el orificio del lado derecho.
- 9 Inserte el pasador de la bisagra superior en el orificio del lado izquierdo superior de la puerta. Una la bisagra superior al gabinete con los tornillos.

Cerciórese de que la puerta esté alineada con el gabinete del enfriador de vinos antes de apretar los tornillos.

Retirar los tornillos y la bisagra superior y mover para el otro lado

Solucionar problemas

Soporte al consumidor



- 70 Retire la bisagra inferior retirando los tornillos y la pata niveladora.
- 71 Remueva el tope de la puerta derecha e instale el tope de la puerta izquierda (WR13X10274), que se encuentran empaquetados por separado, en el lado opuesto.
- 72 Retire la pata niveladora y el espaciador en el lado opuesto e instale en el lado derecho.

IMPORTANTE: La pata izquierda tiene un espaciador que se debe trasladar a la pata niveladora al lado derecho cuando se invierte el vaivén de la puerta.

- 73 Instale la bisagra inferior, con los tornillos y la pata niveladora al lado izquierdo.
- 74 Coloque el enfriador de vinos en posición vertical.
- 75 Abra y cierre la puerta, revisando la alineación de la puerta con el gabinete. Si es necesario, afloje los tornillos uniendo la bisagra superior al gabinete, vuelva a alinear la puerta y apriete nuevamente los tornillos.
- 76 Coloque la cubierta superior en el gabinete y vuelva a conectar los acoplamiento eléctricos.
- 77 Deslice la cubierta superior nuevamente en su posición y reemplace los dos tornillos.
- 78 Conecte el enfriador de vinos. Vuelva a configurar los controles en los niveles deseados.

Seguridad

Instalación

Operación

Cuidado y limpieza

Solucionar problemas

Soporte al consumidor

Antes de solicitar un servicio...



Consejos para la solución de problemas
¡Ahorre tiempo y dinero! Revise primero la siguiente tabla y quizás no tenga que llamar para solicitar el servicio.

	Problema	Posibles causas	Qué hacer
Seguridad			
Instalación	El enfriador de vinos no funciona y la pantalla está en blanco	El enfriador de vinos está desconectado. El interruptor de circuitos se saltó/el fusible se quemó.	<ul style="list-style-type: none"> • Empuje el enchufe completamente dentro del tomacorriente. • Reemplace el fusible o vuelva a iniciar el interruptor.
	Vibración o cascabeleo (una vibración ligera es normal)	El enfriador de vinos se encuentra en una superficie desnivelada.	• Consulte la sección <i>Patas de nivelación</i> .
Operación	El motor funciona por períodos o ciclos prolongados	Es normal cuando el enfriador de vinos se conecta por primera vez. Ocorre a menudo cuando grandes cantidades de vino se almacenan en el enfriador de vinos. La puerta se dejó abierta.	<ul style="list-style-type: none"> • Espere 12 horas para que el enfriador de vinos se enfríe refroidi completamente. • Esto es normal. • La puerta no se cierra sola. Siempre cerciórese de cerrar la puerta después de abrirla. • Revise si una botella está sosteniendo la puerta abierta.
		Estación calurosa o la puerta se abre frecuentemente.	• Esto es normal.
		El control de temperatura está en el nivel más frío.	• Consulte la sección <i>Acerca de los controles y ajustes</i> .
		El enfriador de vinos está muy cerca de la pared.	• Consulte la sección <i>Pautas para la instalación</i> para los aislamientos correctos.
		El enfriador de vinos está demasiado caliente	Es normal cuando el enfriador de vinos se conecta por primera vez. Ocorre a menudo cuando grandes cantidades de vino se almacenan en el enfriador de vinos.
Cuidado y limpieza		El control de temperatura no está en un nivel suficientemente frío.	• Consulte la sección <i>Acerca de los controles y ajustes</i> .
		Estación cálida o la puerta se abre frecuentemente.	• Mueva el control de la temperatura a un nivel más frío. Consulte la sección <i>Acerca de los controles y ajustes</i> .
		El enfriador de vinos está muy cerca de la pared.	• Consulte la sección <i>Pautas para la instalación</i> para los aislamientos correctos.
		La puerta se dejó abierta.	<ul style="list-style-type: none"> • La puerta no se cierra sola. Siempre cerciórese de que la puerta esté cerrada después de abrirla. • Revise si una botella está sosteniendo la puerta abierta.
Solucionar problemas		Si la temperatura no es la que seleccionó por última vez, quizás haya ocurrido un corte de energía.	• Cuando la energía se reestableció, el enfriador de vinos regresó al nivel predeterminado, el cual es RED WINE (vino tinto) . Vuelva a establecer el control al nivel deseado.
SopORTE al consumidor			

Problème	Cause possible	Que faire
El enfriador de vinos produce un olor	El interior necesita limpieza.	<ul style="list-style-type: none"> • Consulte la sección <i>Cuidado y limpieza</i>.
Se forma humedad en el exterior del enfriador de vinos	No es extraño durante los períodos de humedad alta.	<ul style="list-style-type: none"> • Seque la superficie.
Se forma humedad al interior (en climas húmedos, el aire lleva humedad hacia el enfriador de vinos cuando la puerta está abierta)	La puerta se abre con demasiada frecuencia o por mucho tiempo.	
	Las botellas de vino están tocando la pared posterior.	<ul style="list-style-type: none"> • Vuelva a colocar las botellas.
Se forma escarcha en las superficies interiores del enfriador de vinos	Esto es normal.	<ul style="list-style-type: none"> • Consultar la sección <i>Descongelación</i>.
	La puerta se dejó abierta.	<ul style="list-style-type: none"> • Se puede formar escarcha excesiva si la puerta se deja abierta. Consultar la sección <i>Descongelación</i>. • La puerta no se cierra sola. Siempre cerciórese de que la puerta esté cerrada después de abrirla. • Revise si una botella está sosteniendo la puerta abierta.
El enfriador de vinos está demasiado frío	El control de temperatura está en un nivel demasiado frío.	<ul style="list-style-type: none"> • Consulte la sección <i>Acerca de los controles y ajustes</i>.
	Si la temperatura no es la que seleccionó por última vez, quizás haya ocurrido un corte de energía.	<ul style="list-style-type: none"> • Cuando la energía se reestableció, el enfriador de vinos regresó al nivel predeterminado, el cual es RED WINE (vino tinto). Vuelva a establecer el control al nivel deseado.
	La temperatura del cuarto donde se encuentra el enfriador de vinos está demasiado fría.	<ul style="list-style-type: none"> • Para una operación correcta, la temperatura del cuarto debe ser igual o superior a la temperatura establecida del enfriador de vinos.
La temperatura en la pantalla no es la temperatura que se estableció	Esto es normal.	<ul style="list-style-type: none"> • Después de establecer la temperatura, la pantalla regresa a la temperatura real.
Los botones de temperatura no responden	Se han bloqueado los botones de temperatura.	<ul style="list-style-type: none"> • Para desbloquearlos, simplemente presione y sostenga los botones RED WINE (vino tinto) e INTERIOR LIGHT (luz interior) al mismo tiempo por 3 segundos. LOC aparecerá en la pantalla cuando los botones de la temperatura se hayan cerrado.
Condensación al frente de la puerta	El enfriador de vinos está localizado en un ambiente de alta humedad.	<ul style="list-style-type: none"> • Limpie la condensación con un paño limpio y seco. • Coloque el enfriador de vinos en un ambiente de menor humedad.
Agua en piso detrás de enfriador de vinos	La puerta se dejó abierta.	<ul style="list-style-type: none"> • La puerta no se cierra sola. Siempre cerciórese de que la puerta esté cerrada después de abrirla. • Revise si una botella está sosteniendo la puerta abierta.

Seguridad

Instalación

Operación

Cuidado y limpieza

Solucionar problemas

Soporte al consumidor

Notas.

**SopORTE al
consumidor**

**Solucionar
problemas**

Cuidado y limpieza

Operación

Instalación

Seguridad

Garantía del enfriador de vinos. (Para consumidores en los EE.UU.)



Todos los servicios de garantía los proporcionan nuestros Centros de Reparación de Fábrica o nuestros técnicos Customer Care® autorizados. Para concertar una cita de reparación, en línea, 24 horas al día, visítenos al GEAppliances.com, o llame al 800.GE.CARES (800.432.2737).

Grape aquí su recibo. Se requiere facilitar prueba de la fecha de compra original para obtener un servicio bajo la garantía.

Durante:	GE reemplazará:
Un año A partir de la fecha de compra original	Cualquier parte del enfriador de vinos que falle debido a un defecto en materiales o mano de obra. Durante este año de garantía limitada , GE también proporcionará, sin costo , mano de obra para reemplazar las partes defectuosas (no incluye viajes de servicio a su hogar).
Cinco años A partir de la fecha de compra original	El compresor que falle debido a un defecto en materiales o mano de obra. Este garantía limitada de cuatro años adicional no incluye mano de obra o iajes de servicio a su hogar ,

Lo que GE no cubrirá:

- Viajes de servicio a su hogar para enseñarle cómo usar el producto.
- Una instalación incorrecta.
- Fallas del producto si hay abuso, mal uso, o uso para otros propósitos que los propuestos, o uso para fines comerciales.
- Pérdida del vino por averías.
- Reemplazo de fusibles de su hogar o reajuste de interruptores de circuito.
- Daño al producto causado por accidente, fuego, inundaciones, o actos de Dios.
- Daño incidental o consecuencial causado por posibles defectos con el aparato.

Esta garantía se extiende al comprador original y a cualquier propietario que lo suceda para el caso de productos comprados para uso doméstico normal en los Estados Unidos. En Alaska, usted tendrá que pagar el flete del producto o los costos de viaje del técnico de servicio hasta su hogar.

Algunos estados no permiten la exclusión o limitación de daños incidentales o consecuenciales. Esta garantía le proporciona derechos legales específicos, y puede tener otros derechos que pueden variar de un estado a otro. Para conocer los derechos legales de su estado, consulte con su oficina local de asuntos del consumidor o al procurador general de su estado.

Garantidor: General Electric Company. Louisville, KY 40225

Seguridad

Instalación

Operación

Cuidado y limpieza

Solucionar problemas

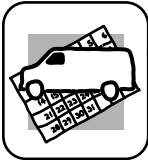
Soporte al consumidor



Página Web de GE Appliances

www.GEAppliances.com

¿Tiene alguna pregunta sobre su electrodoméstico? ¡Pruebe la página Web de GE Appliances 24 horas al día, cualquier día del año! Para mayor conveniencia y servicio más rápido, ya puede descargar los Manuales de los Propietarios, pedir piezas o incluso hacer una cita en línea para que vengan a realizar una reparación. También puede “Ask Our Team of Experts™” (Preguntar a nuestro equipo de expertos) sobre cualquier cuestión y mucho más...



Solicite una reparación

www.GEAppliances.com

El servicio de expertos GE está a tan sólo un paso de su puerta. ¡Entre en línea y solicite su reparación cuando le venga bien 24 horas al día cualquier día del año! O llame al 800.GE.CARES (800.432.2737) durante horas normales de oficina.



Real Life Design Studio (Estudio de diseño para la vida real) www.GEAppliances.com

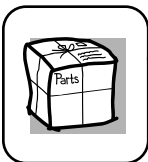
GE apoya el concepto de Diseño Universal—productos, servicios y ambientes que pueden usar gente de todas las edades, tamaños y capacidades. Reconocemos la necesidad de diseñar para una gran gama de habilidades y dificultades físicas y mentales. Para más detalles sobre las aplicaciones de GE Diseño Universal, incluyendo ideas de diseño para la cocina para personas con discapacidades, mire nuestra página Web hoy mismo. Para personas con dificultades auditivas, favor de llamar al 800.TDD.GEAC (800.833.4322).



Garantías ampliadas

www.GEAppliances.com

Compre una garantía ampliada y obtenga detalles sobre descuentos especiales disponibles mientras su garantía está aún activa. Puede comprarla en línea en cualquier momento, o llamar al (800.626.2224) durante horas normales de oficina. GE Consumer Home Services estará aún ahí cuando su garantía termine.

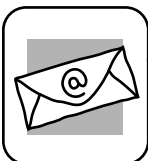


Piezas y accesorios

www.GEAppliances.com

Aquellos individuos con la calificación necesaria para reparar sus propios electrodomésticos pueden pedir que se les manden las piezas o accesorios directamente a sus hogares (aceptamos las tarjetas VISA, MasterCard y Discover). Haga su pedido en línea hoy, 24 horas cada día o llamar por teléfono al 800.626.2002 durante horas normales de oficina.

Las instrucciones descritas en este manual cubren los procedimientos a seguir por cualquier usuario. Cualquier otra reparación debería, por regla general, referirse a personal calificado autorizado. Debe ejercerse precaución ya que las reparaciones incorrectas pueden causar condiciones de funcionamiento inseguras.



Póngase en contacto con nosotros

www.GEAppliances.com

Si no está satisfecho con el servicio que recibe de GE, póngase en contacto con nosotros en nuestra página Web indicando todos los detalles así como su número de teléfono o escribanos a:

General Manager, Customer Relations
GE Appliances, Appliance Park
Louisville, KY 40225



Registre su electrodoméstico

www.GEAppliances.com

¡Registre su nuevo electrodoméstico en línea—cuando usted prefiera! El registrar su producto a tiempo le proporcionará, si surgiera la necesidad, una mejor comunicación y un servicio más rápido bajo los términos de su garantía. También puede enviar su tarjeta de registro pre-impresa que se incluye en el material de embalaje.

Free Manuals Download Website

<http://myh66.com>

<http://usermanuals.us>

<http://www.somanuals.com>

<http://www.4manuals.cc>

<http://www.manual-lib.com>

<http://www.404manual.com>

<http://www.luxmanual.com>

<http://aubethermostatmanual.com>

Golf course search by state

<http://golfingnear.com>

Email search by domain

<http://emailbydomain.com>

Auto manuals search

<http://auto.somanuals.com>

TV manuals search

<http://tv.somanuals.com>