



BLENDER

Model number: 169099

UPC: 681131690997

Customer Assistance

1-877-207-0923 (US)

1-877-556-0973 (Canada)



Thank you for purchasing a GE small appliance.

In keeping with the GE ecomagination initiative, please consider the option to recycle the packaging material and donate the appliance you are no longer using.

To read about GE's ecomagination commitment, visit
<http://ge.ecomagination.com>

IMPORTANT SAFEGUARDS

When using electrical appliances, basic safety precautions should always be followed, including the following:

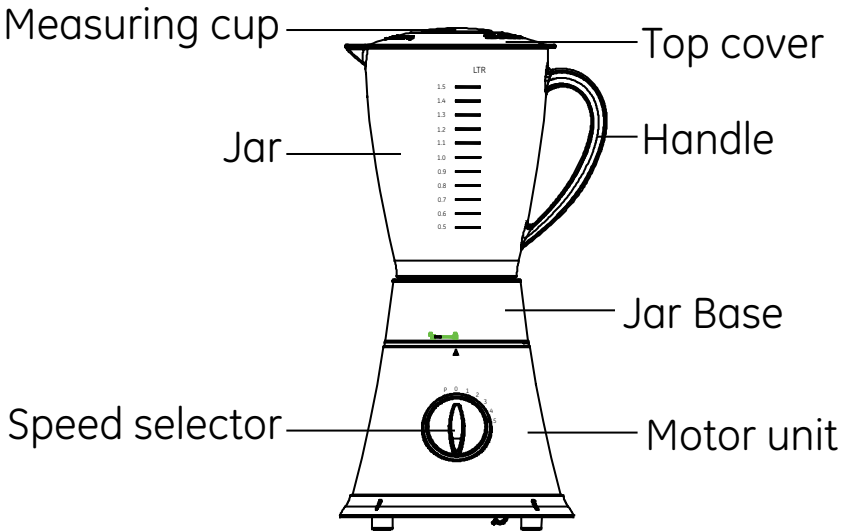
- **READ ALL INSTRUCTIONS.**
- To protect against risk of electrical shock do not immerse power cord or blender base in water or other liquid.
- Close supervision is necessary when any appliance is used by or near children.
- Unplug from outlet when not in use, before putting on or taking off parts, and before cleaning.
- Avoid contacting moving parts.
- Do not operate any appliance with a damaged cord or plug or after the appliance malfunctions, or is dropped or damaged in any manner. Call our toll-free customer service number for information on examination, repair, or adjustment.
- The use of attachments, including canning jars, not recommended by the manufacturer may cause a risk of injury to persons.
- Do not use outdoors.
- Do not let cord hang over edge of table or counter or touch hot surfaces.
- Keep hands and utensils out of container while blending to reduce the risk of severe injury to persons or damage to the blender. A scraper may be used but must be used only when the blender is not running.
- Blades are sharp. Handle carefully.
- To reduce the risk of injury, never place cutter-assembly blades on base without jar properly attached.
- Always operate blender with cover in place.
- When blending hot liquids, remove center piece of two-piece cover.
- Do not place on or near hot gas or electric burner or in a heated oven
- To disconnect, turn the control to off then remove plug from wall outlet
- Do not use appliance for other than intended use.

SAVE THESE INSTRUCTIONS!

SPECIAL NOTES ON CORD PLUG

This appliance has a polarized plug (one blade is wider than the other). To reduce the risk of electric shock, the plug can fit into a polarized socket only one way. If the plug does not fit fully in the outlet, reverse the plug. If it still does not fit, contact a qualified electrician. Do not modify the plug in any way.

PARTS



BEFORE THE FIRST USE

Check that the accessories are complete and the unit is not damaged. Pour a small amount of water into the jar and mix according to the operating instructions below, one or two times, and then empty. Clean top cover, measuring cup, and jar thoroughly with mild soap and warm water.

Warning: the blade is sharp, handle with care and ensure to unplug the appliance from the outlet before assembling and removing parts.

OPERATING INSTRUCTIONS

1. Place the jar on the base, be sure the triangle on the motor aligns with "0" mark (see Fig. 1). Turn the jar clockwise until the triangle is aligned with the "P" mark (see Fig.2). The appliance cannot be activated without the jar in correct position.
2. Add ingredients to be blended. The volume of ingredients should not exceed the max level as indicated on the jar.

Note: never use boiling liquids or run the appliance empty.

3. Replace the top cover on the jar.
4. You may add ingredients into the jar through the opening in the top cover during operation, then replace measuring cup. Align the tabs of the measuring cup with the grooves of the top cover. Press down and turn the measuring cup counter-clockwise until the measuring cup is in place.
5. Connect the plug to the wall outlet and set speed selector to desired setting. See figure 3 for detailed information of the speed selector.

Note: Make sure the top cover is placed in position completely before operating, and never open the top cover during operation.

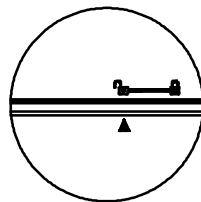


Fig. 1

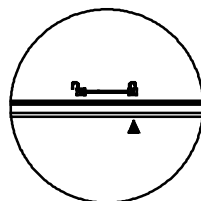


Fig. 2

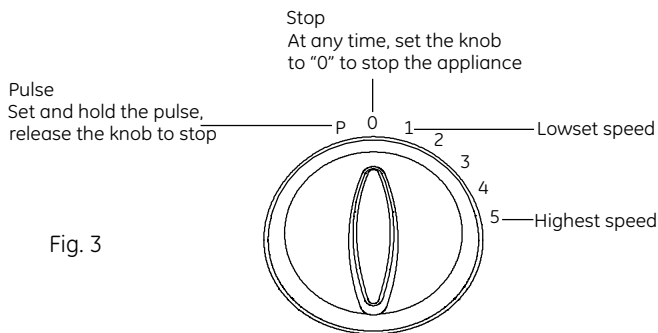


Fig. 3

6. The maximum run time is 1 minute. The minimum rest time is 2 minutes. The appliance must rest for 30 minutes every 10 cycles.
7. Turn the Speed Selector to the "0" position once the ingredients have been blended to the desired consistency.
8. Turn the jar counter-clockwise and remove from base. Carefully remove the top cover, then pour and serve.

CLEANING

The auto clean feature can clean the blender and blade assembly fast and easy.

- Pour a small amount of warm soapy water into the jar and turn the Speed Selector to the P position for a few seconds.
- Remove the jar and rinse under running water.
- Wipe the outer surface of the motor with damp cloth.
- Do not use abrasive cleansers.
- Never immerse in water for cleaning.
- Dry all parts and then replace.

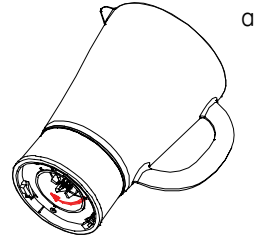


Fig. 4

The blade can be disassembled for complete cleaning. Twist the base of the jar off the bottom (see Fig. 4). Carefully remove the blade.

The top cover, measuring cup, jar, jar base, and blade assembly are dishwasher safe components. Be sure your dishwasher does not exceed 158 degrees fahrenheit.

TECHNICAL INFORMATION

Model No.	Rated voltage	Rated power	Capacity	Dimensions	Weight
169099	120V	450W	1.5L	220x200x430mm	3.7Kg

CUSTOMER ASSISTANCE

For faster service, please have the model number and product name ready for the operator to assist you. This number can be found on the bottom of your appliance and on the front page of this manual.

Model Number: _____ **Product Name:** _____

Customer Assistance Number 1-877-207-0923 (U.S.) or 1-877-556-0973 (Canada)

Keep these numbers for future reference!

For more information, please visit us at www.gehousewares.com

TWO-YEAR LIMITED WARRANTY

What does your warranty cover?

- Any defect in material or workmanship.

For how long after the original purchase?

- Two years.

What will we do?

- Provide you with a new one.
- For those items still under warranty but no longer available, WAL-MART reserves the right to replace with a similar GE branded product of equal or greater value.

How do you make a warranty claim?

- Save your receipt.
- Properly pack your unit. We recommend using the original carton and packing materials.
- Return the product to your nearest WAL-MART store or call Customer Assistance at 1-877-207-0923 (U.S.) or 1-877-556-0973 (Canada).

What does your warranty not cover?

- Parts subject to wear, including, without limitation, glass parts, glass containers, cutter/strainer, blades, seals, gaskets, clutches, motor brushes, and/or agitators, etc.
- Commercial use or any other use not found in printed directions.
- Damage from misuse, abuse, or neglect, including failure to clean product regularly in accordance with manufacturer's instructions.

How does state law relate to this warranty?

- This warranty gives you specific legal rights, and you may also have other rights which vary from state to state or province to province.
- This warranty is in lieu of any other warranty or condition, whether express or implied, written or oral, including, without limitation, any statutory warranty or condition of merchantability or fitness for a particular purpose.
- WAL-MART, GE and the product manufacturer expressly disclaim all responsibility for special, incidental and consequential damages or losses caused by use of this appliance. Any liability is expressly limited to an amount equal to the purchase price paid whether a claim, however instituted, is based on contract, indemnity, warranty, tort (including negligence), strict liability, or otherwise. Some states or provinces do not allow this exclusion or limitation of incidental or consequential losses so the foregoing disclaimer may not apply to you.

What if you encounter a problem with this product while using it outside the country of purchase?

- The warranty is valid only in the country of purchase and you follow the warranty claim procedure as noted.



is a trademark of General Electric Company and is used under the license by Wal-Mart Stores Inc., Bentonville, AR 72716

Marketed in Canada by:

Wal-Mart Canada Corp.
1940 Argentia Road, Mississauga, Ontario L5N1P9

Free Manuals Download Website

<http://myh66.com>

<http://usermanuals.us>

<http://www.somanuals.com>

<http://www.4manuals.cc>

<http://www.manual-lib.com>

<http://www.404manual.com>

<http://www.luxmanual.com>

<http://aubethermostatmanual.com>

Golf course search by state

<http://golfingnear.com>

Email search by domain

<http://emailbydomain.com>

Auto manuals search

<http://auto.somanuals.com>

TV manuals search

<http://tv.somanuals.com>