

SCB2001K

GE Profile Advantium® Wall Oven

Dimensions and Installation Information (in inches)

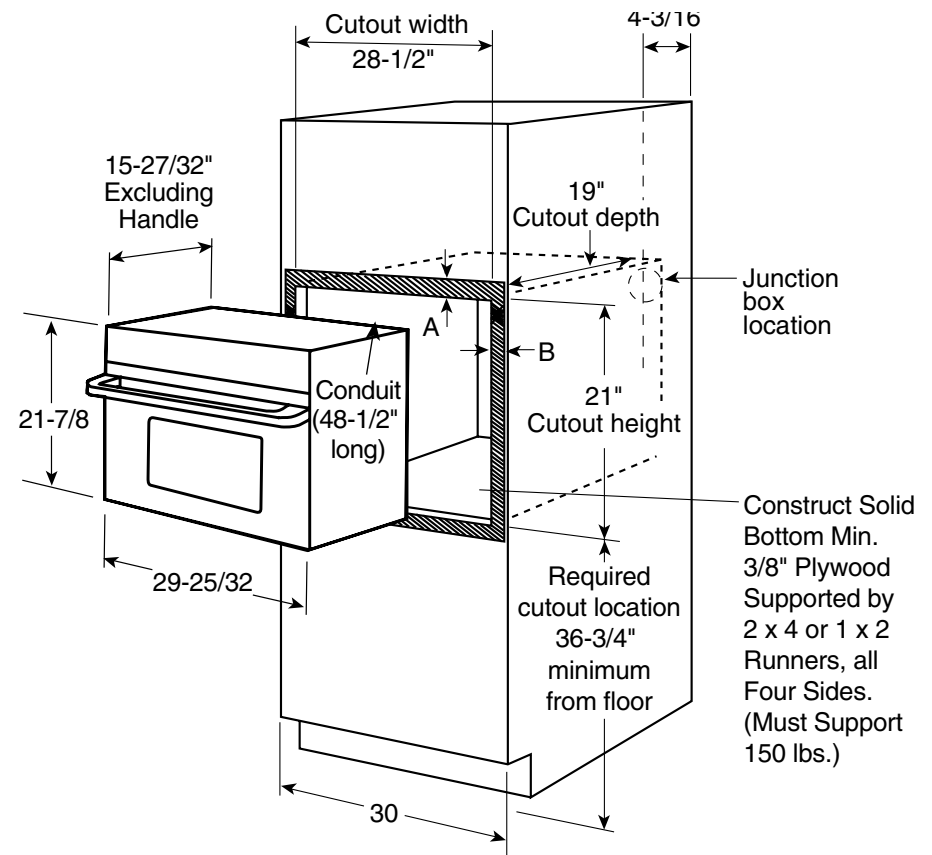
A	Allow 1" overlap of oven over top and bottom edges of cutout
B	Allow 11/16"-3/4" for overlap of oven over side edges of cutout

Note: Cabinets installed adjacent to wall ovens must have an adhesion spec of at least a 194°F temperature rating.

Most 30" Wall Cabinets can be used with this unit.

Note: 2" minimum between cutouts when installed above warming drawer or single wall oven.

Installation Information: Before installing, consult installation instructions packed with product for current dimensional data.



For answers to your Monogram®, GE Profile™ or GE® appliance questions, visit our website at ge.com or call GE Answer Center® service, 800.626.2000.



SCB2001K

GE Profile Advantium® Wall Oven

Dimensions and Installation Information (in inches)

Order a 30" wide single oven cabinet or cut the opening in a wall to dimensions shown.

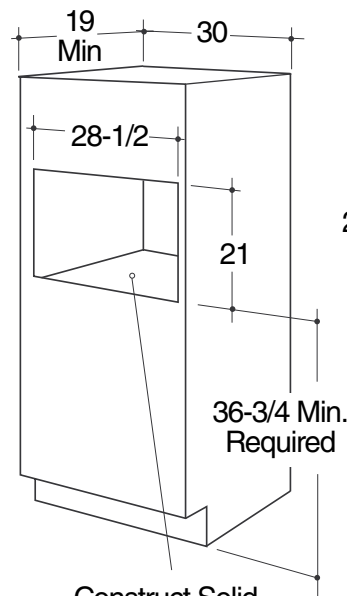
Note: The rough opening must be:

- Depth – 19" Min.
- Width – 28-1/2" Min.
- Height – 21" Min.
- 36-3/4" from the floor to the cutout is required.
- These ovens require 3/4" overlap on each side, top and bottom of the cutout.
- Oven overlaps will conceal cut edges on all sides of the opening.

Note: For installation above a warming drawer additional clearance between the two cutouts may be required. Check to be sure the oven supports above the Warming Drawer location do not obstruct the required interior 23-1/2" depth and 9-1/4" height.

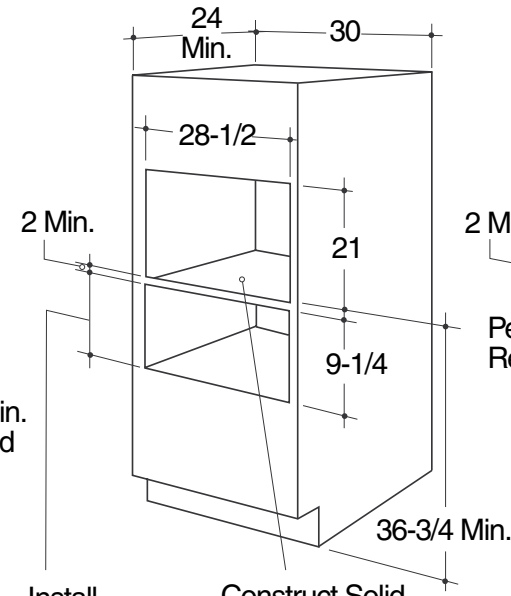
Installation Information: Before installing, consult installation instructions packed with product for current dimensional data.

Single Speedcook Installation



Construct Solid Bottom Min. 3/8" Plywood Supported by 2 x 4 or 1 x 2 Runners, all Four Sides

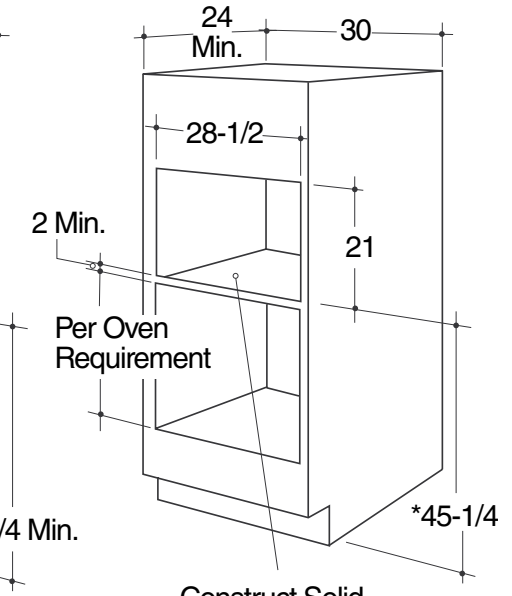
Speedcook Oven Installation above a GE Warming Drawer



Install 2 x 4 or 2 x 2 Runners or Solid Bottom, Must Support 100 lbs.

Construct Solid Bottom Min. 3/8" Plywood Supported by 2 x 4 or 1 x 2 Runners, all Four Sides

Speedcook Oven Installation above a single GE Built-In Wall Oven



Construct Solid Bottom Min. 3/8" Plywood Supported by 2 x 4 or 1 x 2 Runners, all Four Sides

For answers to your Monogram®, GE Profile™ or GE® appliance questions, visit our website at ge.com or call GE Answer Center® service, 800.626.2000.

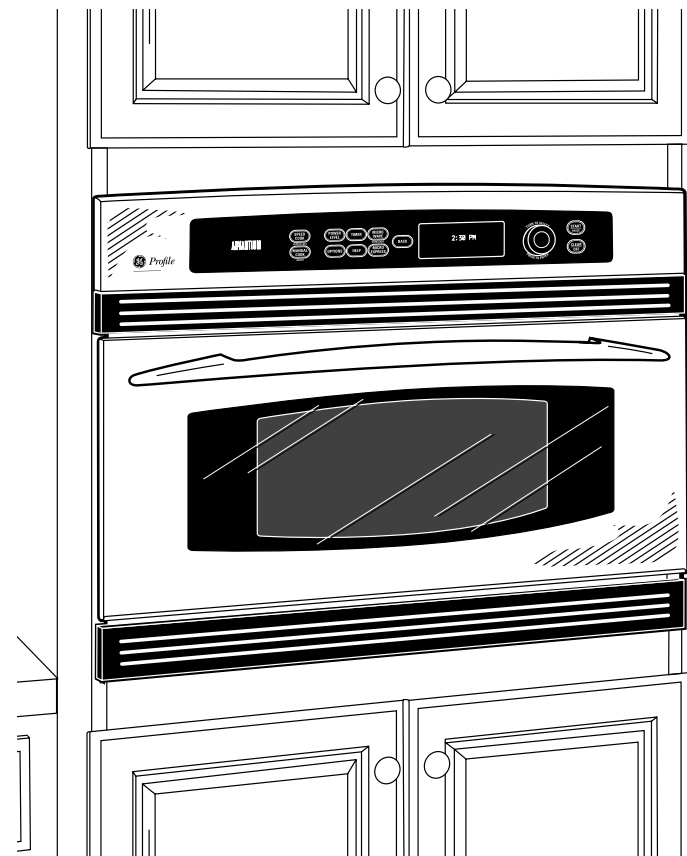


SCB2001K

GE Profile Advantium® Wall Oven

Features and Benefits

- Speedcook Technology – Delivers oven-quality food up to eight times faster than a conventional oven
- Multiple Cooking Modes – Bakes, broils, browns, roasts, microwaves and grills fast, with no preheating
- Over 100 Pre-Programmed Menu Items, Manual Cook, Help and Demo Modes
- Sensor Cooking Controls – Automatically adjust the time and power for exceptional cooking results
- Auto and Time Defrost – Automatically defrosts for a specified amount of time
- Halogen Interior Light – Helps you monitor food as it cooks
- Two-Line Bilingual Scrolling Display – Provides helpful cooking tips and oven-use instructions in easy-to-read English or Spanish
- Stainless Steel Interior – Durable surface that cleans quickly with a simple wipe of the towel
- Model SCB2001KSS – Stainless steel



imagination at work

Free Manuals Download Website

<http://myh66.com>

<http://usermanuals.us>

<http://www.somanuals.com>

<http://www.4manuals.cc>

<http://www.manual-lib.com>

<http://www.404manual.com>

<http://www.luxmanual.com>

<http://aubethermostatmanual.com>

Golf course search by state

<http://golfingnear.com>

Email search by domain

<http://emailbydomain.com>

Auto manuals search

<http://auto.somanuals.com>

TV manuals search

<http://tv.somanuals.com>