

# GE Monogram® Assembly Instructions

**36" and 48" Outdoor Cooking Center  
Grill Carts  
Models ZX36CTYSS/ZX48CTYSS**

Before you Begin – Read these instructions completely and carefully.

Note To Installer: Be sure to leave these instructions with the Consumer.

Note to Consumer: Keep these instructions with your Use and Care Book for future reference.

If you have questions concerning the installation of this product, call the GE Answer Center® Consumer Information Service at 800.626.2000, 24 hours a day, 7 days a week.

If you received a damaged Grill Cart, you should contact your dealer.

Assembly of this grill cart requires basic mechanical skills. Proper assembly is the responsibility of the installer.

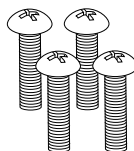
**NOTE:**

The shelves must be installed on the cart before the grill is mounted and before any gas connections are made.

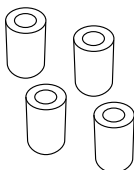
**Step 1:**  
**Remove  
Packaging**

Open the box and remove the contents.  
Remove packaging and protective film from shelves.

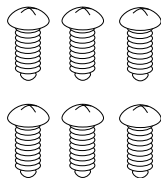
Locate the hardware accessory package and check contents.



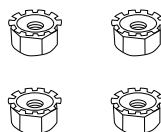
10-24 x 1-1/2 Screws  
Count 4



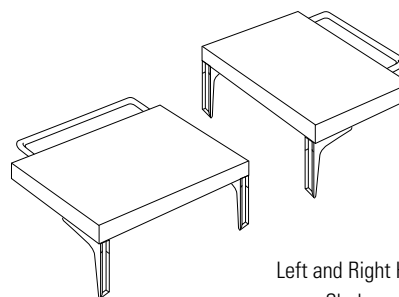
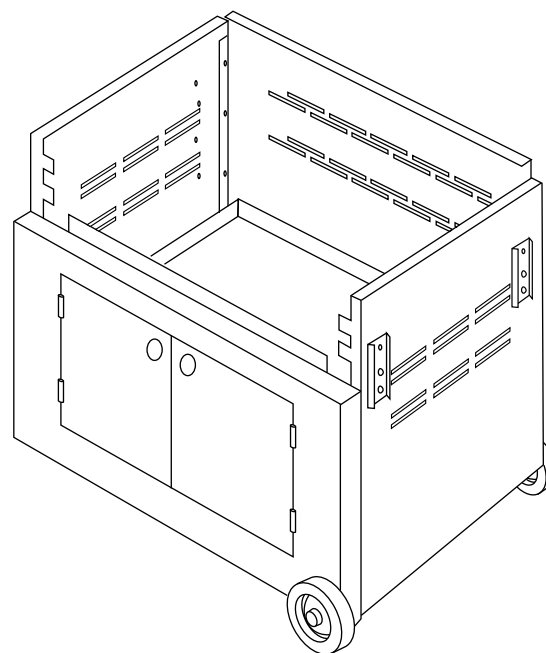
Aluminum Spacers  
Count 4



Phillips Head Screws  
Count 6



1/4-20 Nuts  
Count 4



Left and Right Hand  
Shelves

# Installation

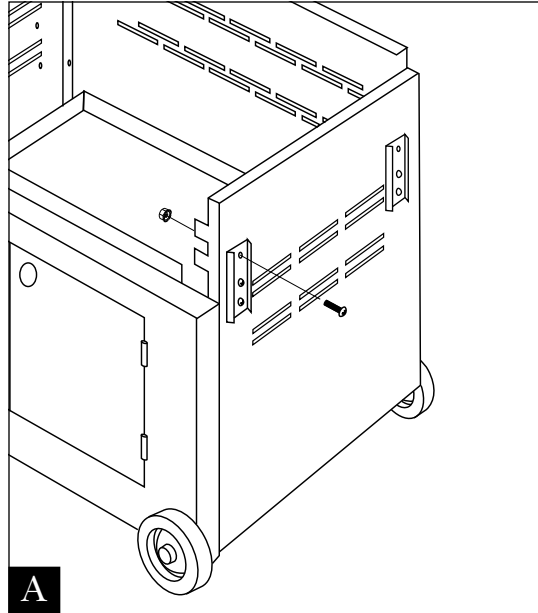
## 36" and 48" Grill Cart Assembly

### Tools You Will Need

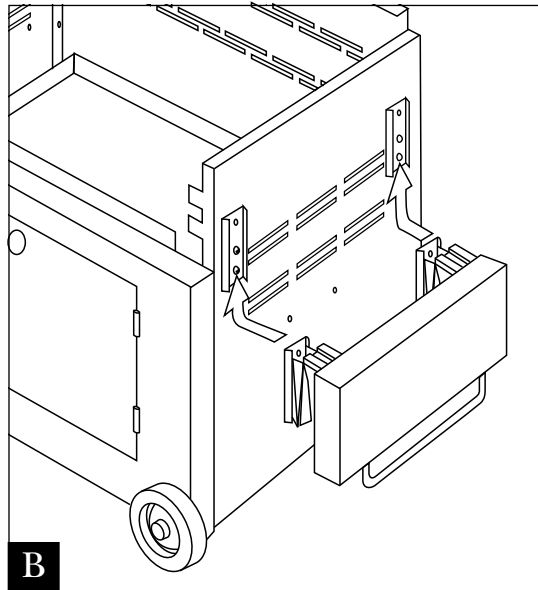
- 3/8" wrench or socket
- Phillips head screwdriver
- Gloves to protect against sharp edges

**CAUTION:** The grill is extremely heavy. 2 people are required to lift and place the grill onto the cart.

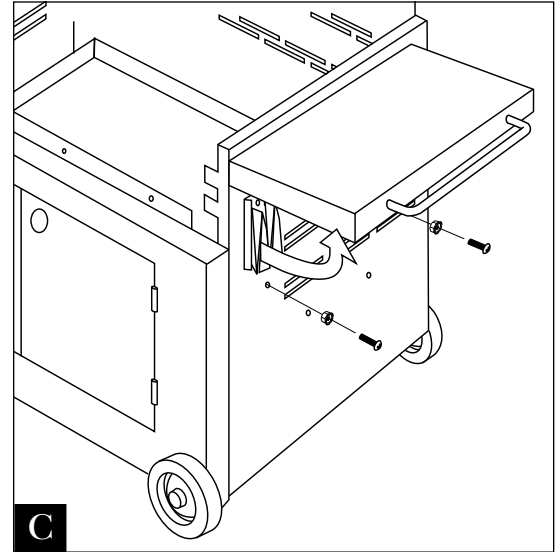
### Step 2: Install Side Shelves



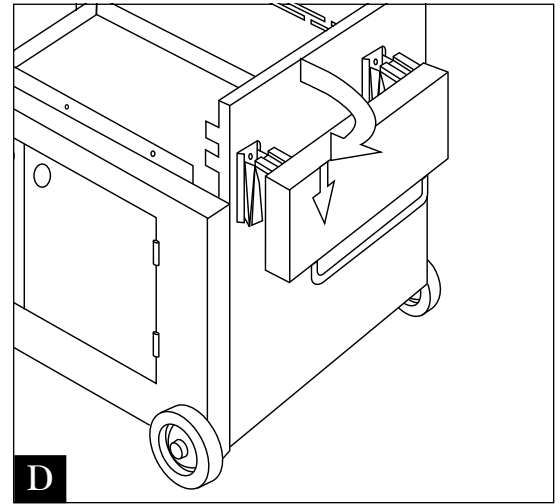
- Remove the top screw in the front shelf slide on the left and right sides. Retain screws.
- NOTE:** One shelf is marked "R/H Shelf". Be sure to use that shelf on the right side of the cart.



- Slide shelf supports up and into the channels on the sides of the cart.



- When the shelf reaches stops at the top, fold the shelf out horizontally.
- The shelf should rest securely in the channels.
- Install the long 10-24 screws and spacers below the shelf supports. Secure with nuts on the inside of the cart. (2 on each side.)
- The spacers and screws will prevent the shelf from sliding out of the channels when folded down.



#### To fold the shelves down:

- Lift the shelf up until it clears the channels.
- Fold down and let the shelf slide down and stop on the spacers.
- Fold both shelves down.

## Installation

### 36" and 48" Grill Cart Assembly

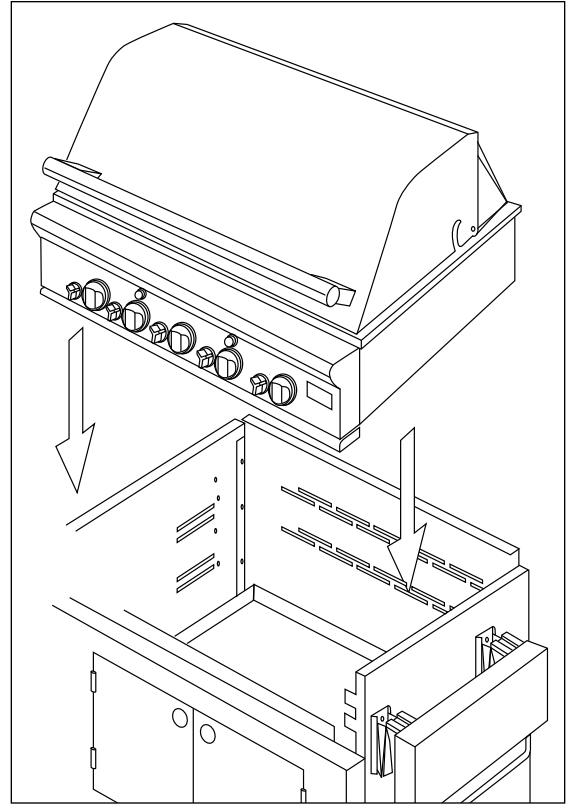
#### *Step 3: Mount Grill on Assembled Cart*

**CAUTION:** Lock front caster on the cart to prevent movement.

See Installation instructions packed with the grill. Remove packaging, drip tray, smoker tray, burner grates and parts box.

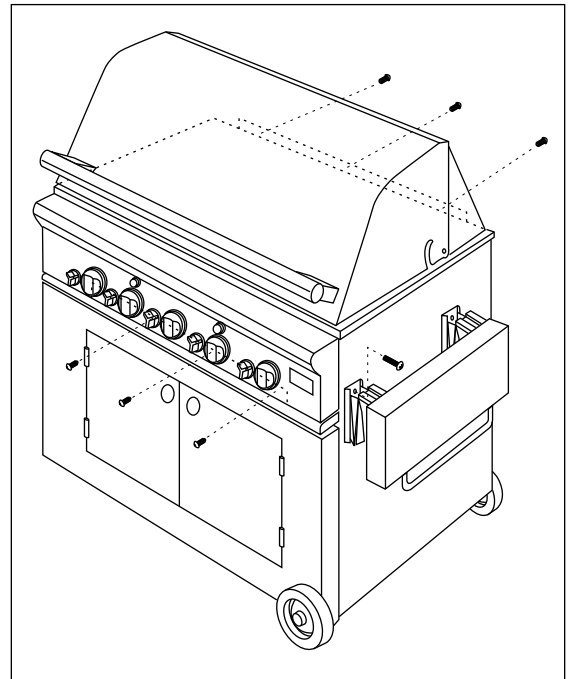
**CAUTION:** The grill is extremely heavy. 2 people are required to lift and place the grill onto the cart.

- Carefully, lower the grill onto the cart. The grill should be behind the lip on the front of the cart.
- Check to be sure the grill rests securely and fits square on the cart. The screw holes at the front and back should be aligned.



#### *Step 4: Secure Grill to Cart*

- Install 3 screws along the front and 3 screws along the back with a phillips head screwdriver.
- Re-install long screws previously removed in the top of each front slide.



*To obtain specific information concerning any  
Monogram product or service, call GE Answer Center®  
consumer information service at 800.626.2000—any  
time, day or night.  
For Monogram local service in your area, call  
1-800-444-1845.*

NOTE: Product improvement is a continuing endeavor at General Electric. Therefore, materials, appearance and specifications are subject to change without notice.

Pub. No. 49-8841  
Dwg. No. 164D3333P081  
© 1997 GE Appliances  
(N.D. 723) 4/97



General Electric Company  
Louisville, KY 40225

## Free Manuals Download Website

<http://myh66.com>

<http://usermanuals.us>

<http://www.somanuals.com>

<http://www.4manuals.cc>

<http://www.manual-lib.com>

<http://www.404manual.com>

<http://www.luxmanual.com>

<http://aubethermostatmanual.com>

Golf course search by state

<http://golfingnear.com>

Email search by domain

<http://emailbydomain.com>

Auto manuals search

<http://auto.somanuals.com>

TV manuals search

<http://tv.somanuals.com>