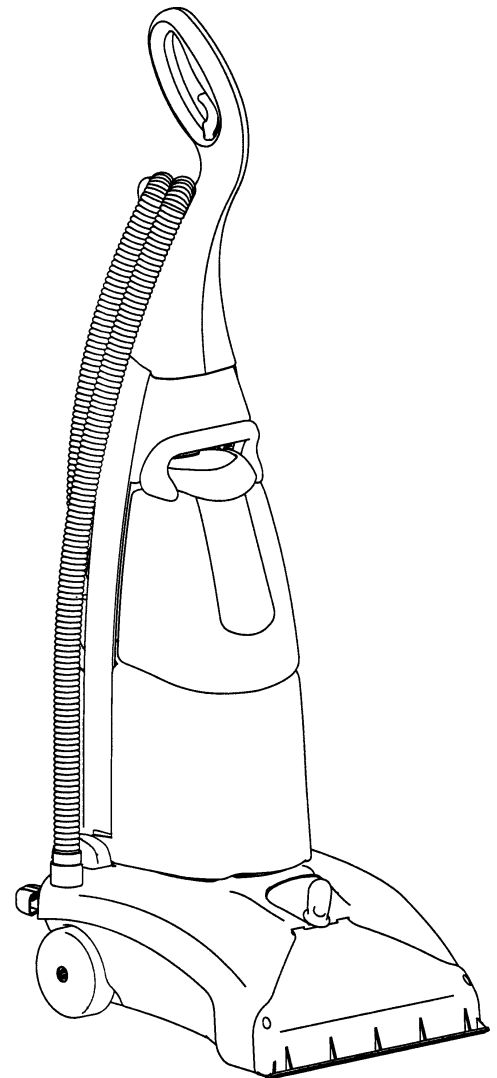




# Deep Steam Carpet Cleaner

Household Type

# Owner's Guide Model 106727



---

Important Safeguards .....	2	Maintenance .....	15-17
Service Information .....	4	Problem Solving .....	18
Assembly .....	6	Customer Order Form .....	19
Preparation .....	7	Warranty .....	21
Use .....	8-14		

**For Customer Assistance Please Call: 1-877-207-0923**

## IMPORTANT SAFEGUARDS

When using an electrical appliance, basic precautions should always be followed, including the following:

**READ ALL INSTRUCTIONS BEFORE USING THIS CLEANER.**

## WARNING

**To reduce the risk of fire, electric shock, or injury:**

- Do not immerse product. Use only on surfaces moistened by cleaning process.
- Do not use outdoors or expose to rain.
- Use only commercially available floor cleaners intended for machine application.
- **Do not leave carpet shampooer/extractor when plugged in.** Turn off the switch and unplug the electrical cord when not in use and before servicing.
- Do not allow to be used as a toy. Close attention is necessary when used by or near children.
- Use only as described in this manual. Use only manufacturer's recommended attachments.
- Do not use with damaged cord or plug. If carpet shampooer/extractor is not working properly, has been dropped, damaged, left outdoors, or dropped into water, return it to a service center immediately.
- Do not pull or carry by cord, use cord as a handle, close a door on cord, or pull cord around sharp edges or corners. Do not run carpet shampooer/extractor over cord. Keep cord away from heated surfaces.
- Do not use extension cords or outlets with inadequate current carrying capacity.
- Turn off all controls before unplugging.
- Do not unplug by pulling on cord. To unplug, grasp the plug, not the cord.
- Do not handle plug or carpet shampooer/extractor with wet hands.
- Do not put any object into openings. Do not use with any opening blocked; keep free of dust, lint, hair, and anything that may reduce airflow.
- This carpet shampooer/extractor creates suction. Some models also contain a revolving brush roll. Keep hair, loose clothing, fingers, and all parts of body away from openings and moving parts.
- Do not use without recovery tank in place.
- Do not pick up anything that is burning or smoking, such as cigarettes, matches, or hot ashes.
- Use extra care when cleaning on stairs.
- If the machine tips over during use, shut it off immediately, set it upright, and wait for the motor to stop completely. This allows the ball float to return to normal position and permits proper airflow through the cleaner.
- Do not use to pick up gasoline, acetone, perfumes, colognes, paint thinners and other flammable liquids such or use in places where they may be present.
- Operate and store indoors in an area above 32°F where the machine will not freeze.
- Keep your work area well lighted.

## SAVE THESE INSTRUCTIONS

## Grounding Instructions

This appliance must be grounded. If it should malfunction or breakdown, grounding provides a path of least resistance for electric current to reduce the risk of electric shock. This appliance is equipped with a cord having an equipment-grounding conductor and grounding plug. The plug must be plugged into an appropriate outlet that is properly installed and grounded in accordance with all local codes and ordinances.

# DANGER

Improper connection of an equipment-grounding conductor can result in risk of electric shock. Check with a qualified electrician or service person if you are in doubt as to whether the outlet is properly grounded. Do not modify the plug provided with the appliance. If it will not fit the outlet, have the proper outlet installed by a qualified technician.

This appliance is for use on a nominal 120 volt circuit and has a grounding plug that looks like the plug illustrated in Figure A. A temporary adapter which looks like the adapter illustrated in Figure B may be used to connect this plug to a two-pole receptacle, as shown, if a properly grounded outlet is not available. The temporary adapter should be used only until a properly grounded outlet, Figure A, can be installed by a qualified electrician. The green colored rigid ear, lug, or the like extending from the adapter must be connected to a permanent ground such as a properly grounded outlet box cover. Whenever the adapter is used, it must be held in place by a metal screw.

**NOTE: In Canada, the use of a temporary adapter is not permitted by the Canadian Electrical Code.**

## INSTRUCTIONS VISANT LA MISE À TERRE

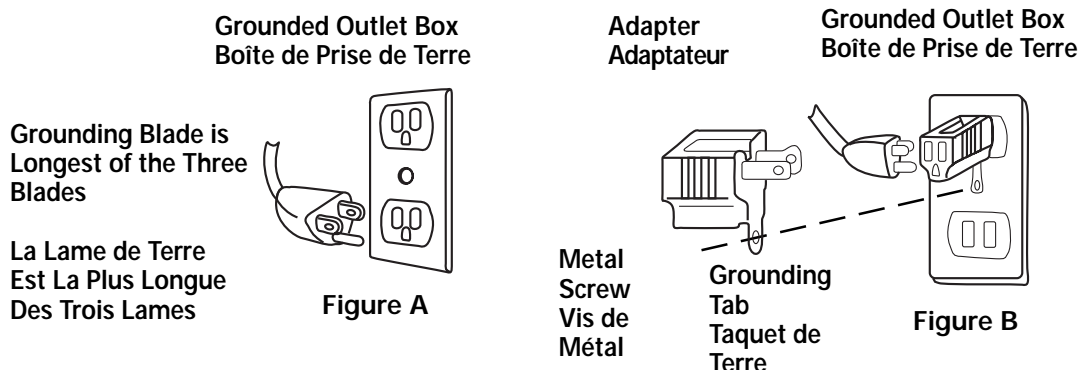
Cet appareil doit être mis à la terre. En cas de défaillance ou de panne éventuelles, la mise à la terre fournit au courant un chemin de moindre résistance qui réduit le risque de choc électrique. Cet appareil est pourvu d'un cordon muni d'un conducteur de terre et d'une fiche avec broche de terre. La fiche doit être branchée dans une prise appropriée correctement installée et mise à la terre conformément aux règlements et ordonnances municipaux.

# AVERTISSEMENT

Un conducteur de terre mal raccordé peut entraîner un risque de choc électrique. Consulter un électricien ou un technicien d'entretien qualifié si vous n'êtes pas certain que la prise est correctement mise à la terre. Ne pas modifier la fiche fournie avec l'appareil-si elle ne peut être insérée dans la prise, faire installer une prise adéquate par un électricien qualifié.

**Note.** Au Canada, l'utilisation d'un adaptateur temporaire n'est pas autorisée par le Code canadien de l'électricité.

Cet appareil est destiné à un circuit de 120V et est muni d'une fiche de mise à la terre semblable à celle illustrée par le Figure A. S'assurer que l'appareil est branché à une prise de courant ayant la même configuration que la fiche. Aucun adaptateur ne devrait être utilisé avec cet appareil.



# General Information



**DO NOT OIL the motor or the brush roll at any time. The bearings are permanently lubricated and sealed.**

## Customer Assistance

The instructions in this booklet serve as a guide to routine maintenance. For additional service information please call, 1-877-207-0923. **You should know the model, type and serial numbers when you call.**

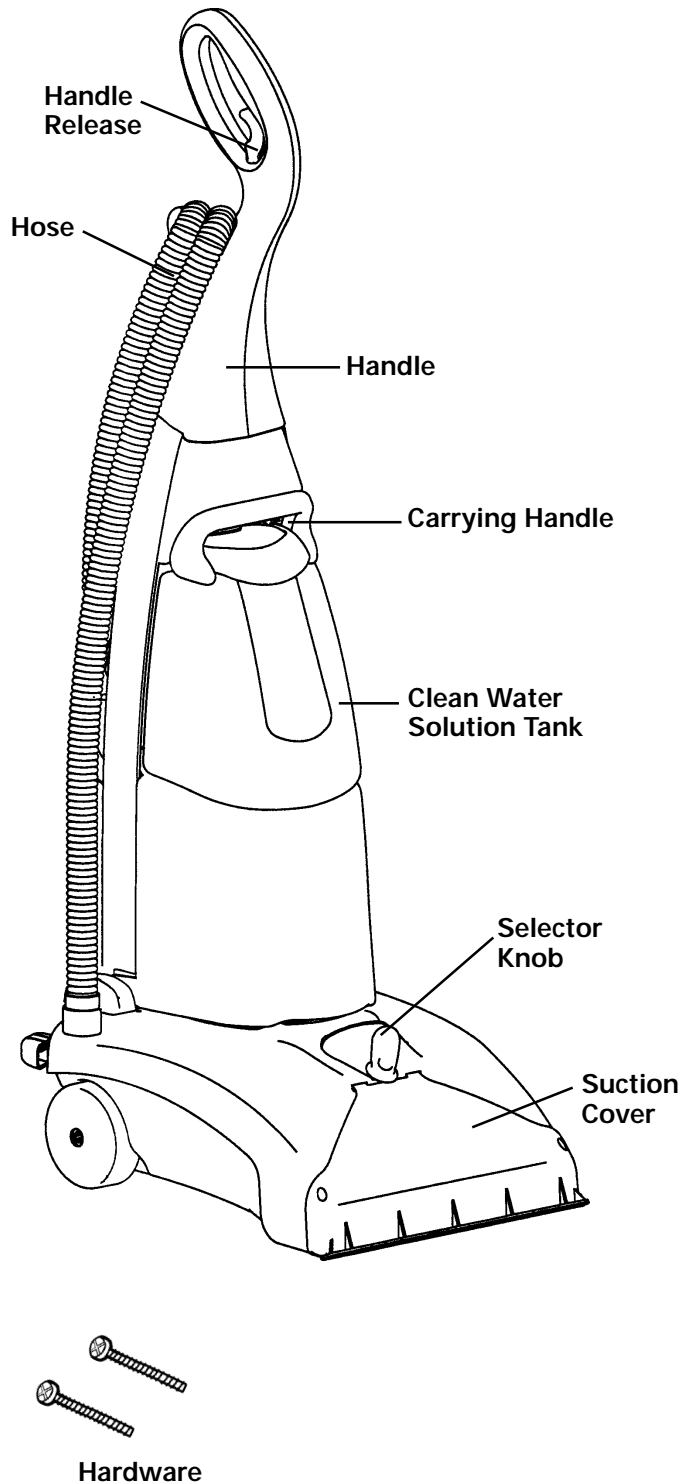
## Rating Plate

The model, type, and serial numbers are indicated on the rating plate located on the underneath side of the cleaner. For prompt and complete service information, always refer to these numbers when inquiring about service.

Model & Type \_\_\_\_\_

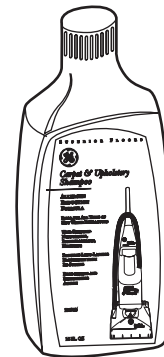
Serial No. \_\_\_\_\_

# Carpet Shampooer/Extractor Parts

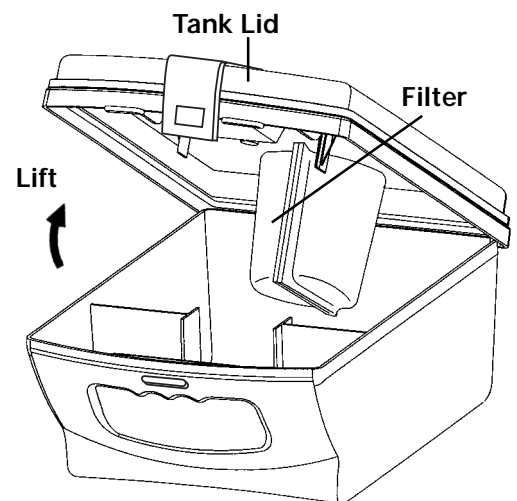


## NOTICE

ON MODELS WITH THE ACCESSORY HOSE, YOU MAY NOTICE SMALL WATER DROPLETS IN THE WATER LINE. THIS IS DUE TO THE FACT THAT ALL UNITS ARE 100% INSPECTED ON THE PRODUCTION LINE USING WATER TO ASSURE PROPER FUNCTION OF THE ACCESSORIES.



Cleaning Solution

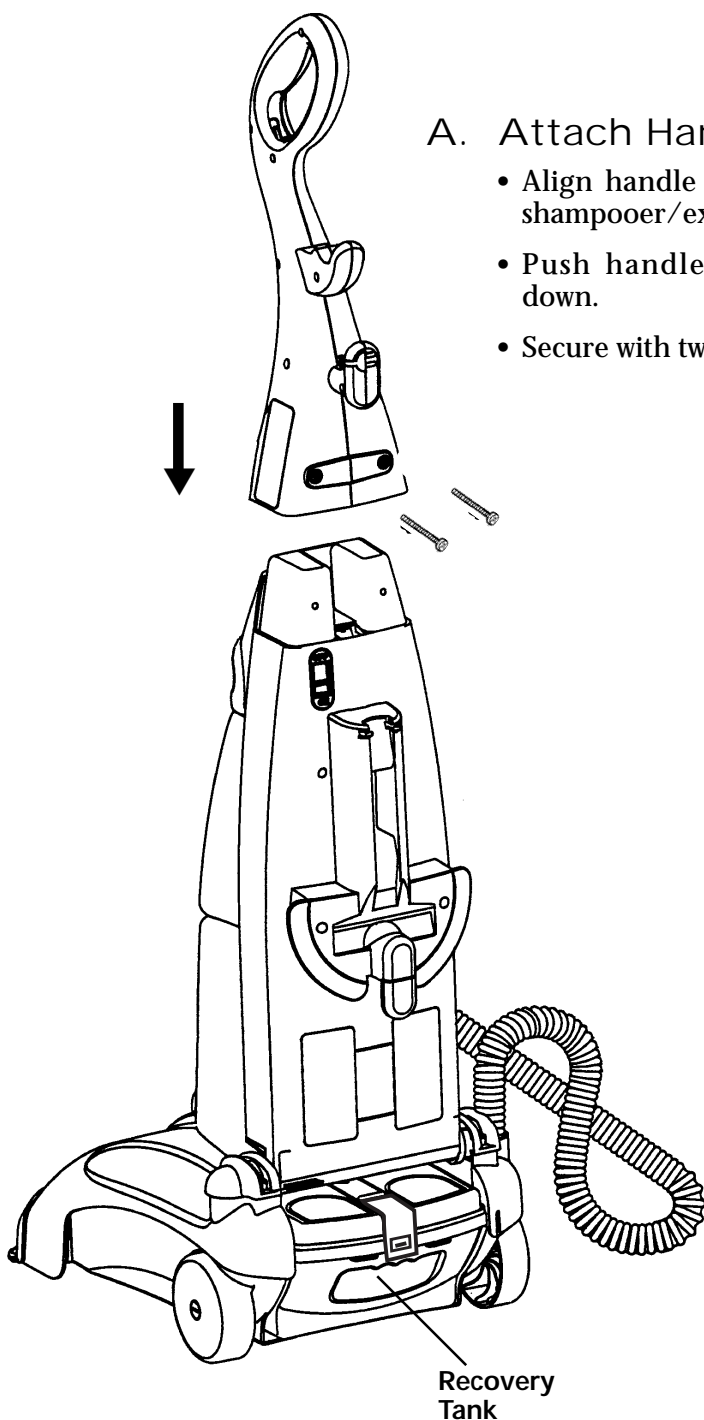


Recovery Tank with Lid and Filter

NOTE: You can also use Wal-Mart's Great Value brand carpet cleaning solution in your GE shampooer.

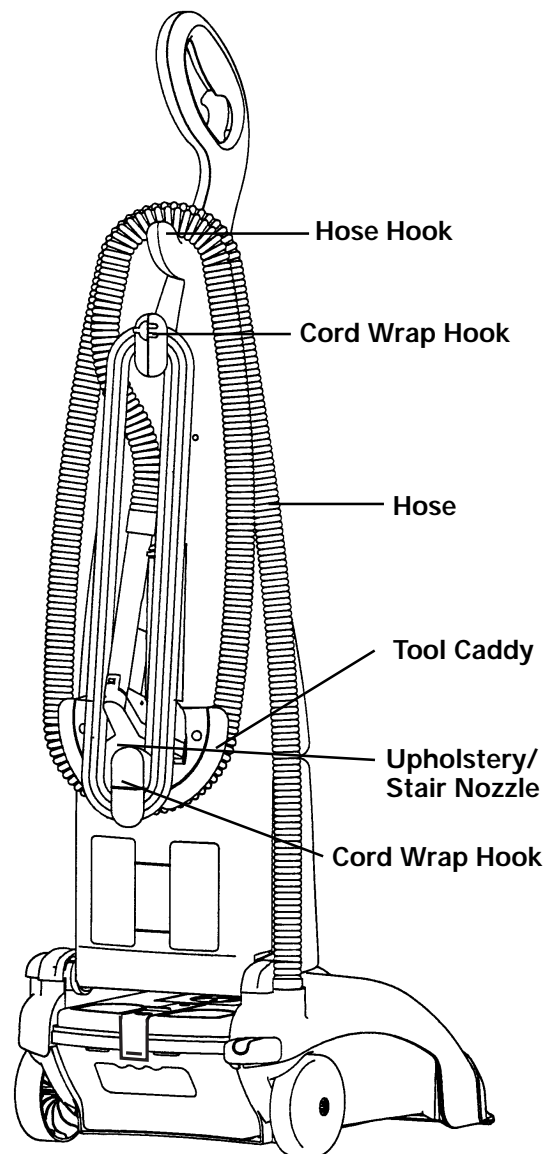
# How To Assemble

NOTE: **Completely assemble the carpet shampooer/extractor before using.**



## A. Attach Handle

- Align handle above carpet shampooer/extractor.
- Push handle all the way down.
- Secure with two screws.



## B. Store Attachment Hose

- Wrap the hose around the hose hooks.
- Push Upholstery/Stair Nozzle into caddy.

## C. Store Electrical Cord

- Wrap cord around bottom and top hooks.

## D. Check Recovery Tank

- After assembling the unit, remove the recovery tank from the unit and take the tank lid off. Then remove the filter and check that the filter frame is snapped securely into place.

# Preparing The Carpet Before Cleaning

## Vacuum Carpet

**NOTE: Never use this carpet shampooer/extractor as a standard vacuum cleaner.**

For best results, vacuum carpets with a vacuum cleaner that has a brush roll. The bristles of the brush roll help loosen and remove soil that is deep in the carpet nap.

### (1) Pretest for Color Fastness

Before cleaning the carpet, we recommend testing the carpet for color fastness. Moisten a white towel with the cleaning solution. Test a small hidden area of the carpet in a closet or in a corner. Gently rub the cloth over the carpet. Check each color. If the towel does not pick up any color, it should be safe to use the cleaning solution on the entire area. See page 13 for additional information.

### (2) Remove Furniture

Remove as much furniture from the room as possible. Place aluminum foil or plastic film under or around the legs and bases of the remaining furniture to prevent stains. Leave the foil or plastic in place until the carpet is completely dry. Use masking tape or pins to hold furniture skirts and draperies up out of the way.

## Helpful Hints for Deep-Cleaning Carpet

Follow the instructions in this owner's guide. Here are a few extra hints that will make deep-cleaning carpet easier.

- Before you begin using the carpet shampooer/extractor, vacuum carpet thoroughly.
- **Do not use the carpet shampooer/extractor for dry vacuuming as this can damage the unit.**
- Allow plenty of time to thoroughly deep-clean carpets. Rushing the cleaning job may give poor results.
- To speed drying time, deep-clean carpets during dry periods of the year or when the heating system is in operation.
- Use consistent forward and reverse strokes over the carpet surface.
- Wipe cleaning solution from woodwork and wood furniture immediately to prevent damage to the wood or upholstery.
- Fluff damp fibers against the nap after wet cleaning to help the drying and prevent matting.
- Ventilate the room while cleaning to speed drying.
- Try not to walk on carpets until they are dry.
- If the carpet shampooer/extractor is difficult to push when operating, try pushing the cleaner at a different 90 degree angle so it moves with the grain and not against the grain of the carpet fibers.

**Consult a professional cleaner before wet cleaning Oriental rugs.**

## After Cleaning

- Allow carpets to dry thoroughly. Try to keep children and pets off the carpet until it is completely dry.
- Use towels or white cloths to step on if you must walk on the area before it is dry.
- If furniture must be placed back in the room before the carpet is dry, use aluminum foil or plastic under the furniture legs to prevent staining the carpet.

# How To Prepare The Carpet Shampooer/Extractor For Carpet Cleaning

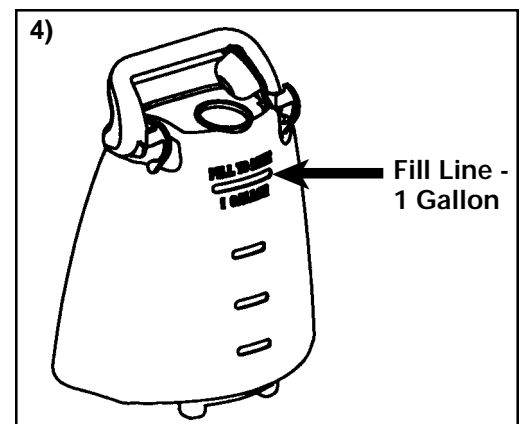
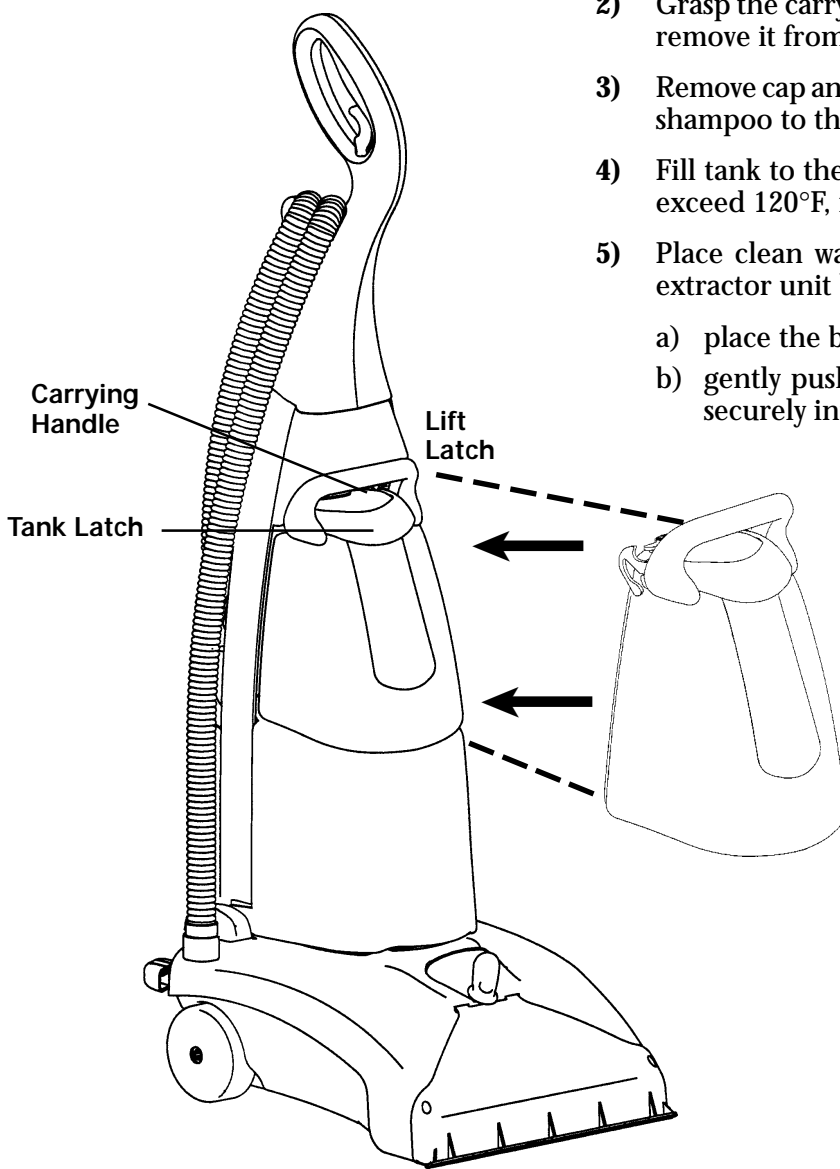
**IMPORTANT:** For best results, begin with a clean surface by vacuuming surface or item before using the carpet shampooer/extractor.

**NOTE:** FAMILIARIZE yourself with the parts of the carpet shampooer/extractor by reading this owner's manual before using.

**NOTE:** Mix cleaning solution properly to avoid damage to carpet and upholstery.

## A. Fill the Clean Water Solution Tank

- 1) Lift up the tank latch to release the clean water solution tank.
- 2) Grasp the carrying handle on the clean water solution tank and remove it from unit.
- 3) Remove cap and add 4 ounces of Genuine GE carpet/upholstery shampoo to the tank.
- 4) Fill tank to the designated fill line with warm tap water, not to exceed 120°F, replace cap (see diagram).
- 5) Place clean water solution tank into the carpet shampooer/extractor unit by
  - a) place the bottom of tank into the reservoir.
  - b) gently push upper portion of tank into unit until it snaps securely into place.



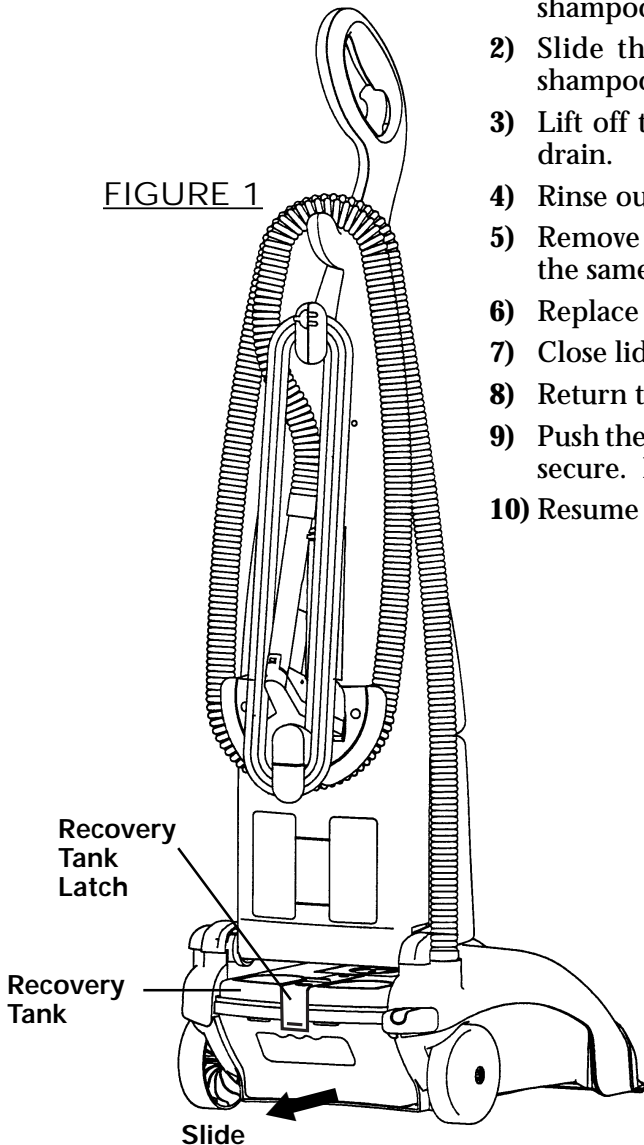
**NOTE:** When moving the carpet shampooer/extractor from one location to another, always make sure the recovery and clean water solution tanks are completely empty. Then tilt the unit slightly backward and roll on rear wheels or use the carpet shampooer/extractor's carrying handle for transporting up and down stairs.



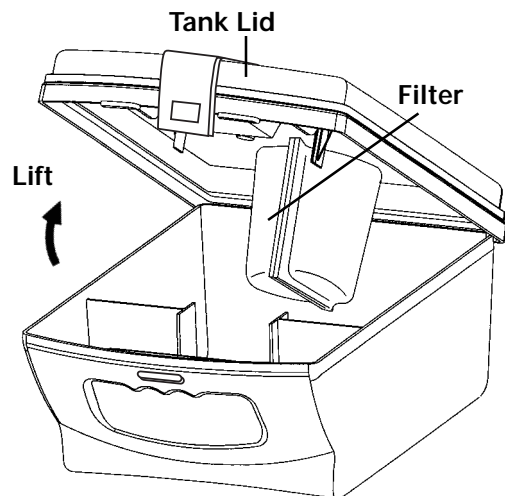
## B. Emptying the Recovery Tank

**NOTE:** Turn off the power switch and unplug the carpet shampooer/extractor to empty the recovery tank.

- 1) Press the recovery tank latch downward to release the tank from the carpet shampooer/extractor unit as shown in Figure 1.
- 2) Slide the recovery tank out from the lower portion of the carpet shampooer/extractor unit.
- 3) Lift off the recovery tank lid and empty contents into a suitable water drain.
- 4) Rinse out the recovery tank and tank lid thoroughly.
- 5) Remove and clean the filter by rinsing it with water after each use. Place the same filter back in the recovery tank as shown in Figure 2.
- 6) Replace the recovery tank lid by aligning notches in lid over tank tabs.
- 7) Close lid securely.
- 8) Return the recovery tank to the carpet shampooer/extractor unit.
- 9) Push the recovery tank all the way into carpet shampooer/extractor until secure. Be sure the ridge on the latch snaps securely in place.
- 10) Resume cleaning.



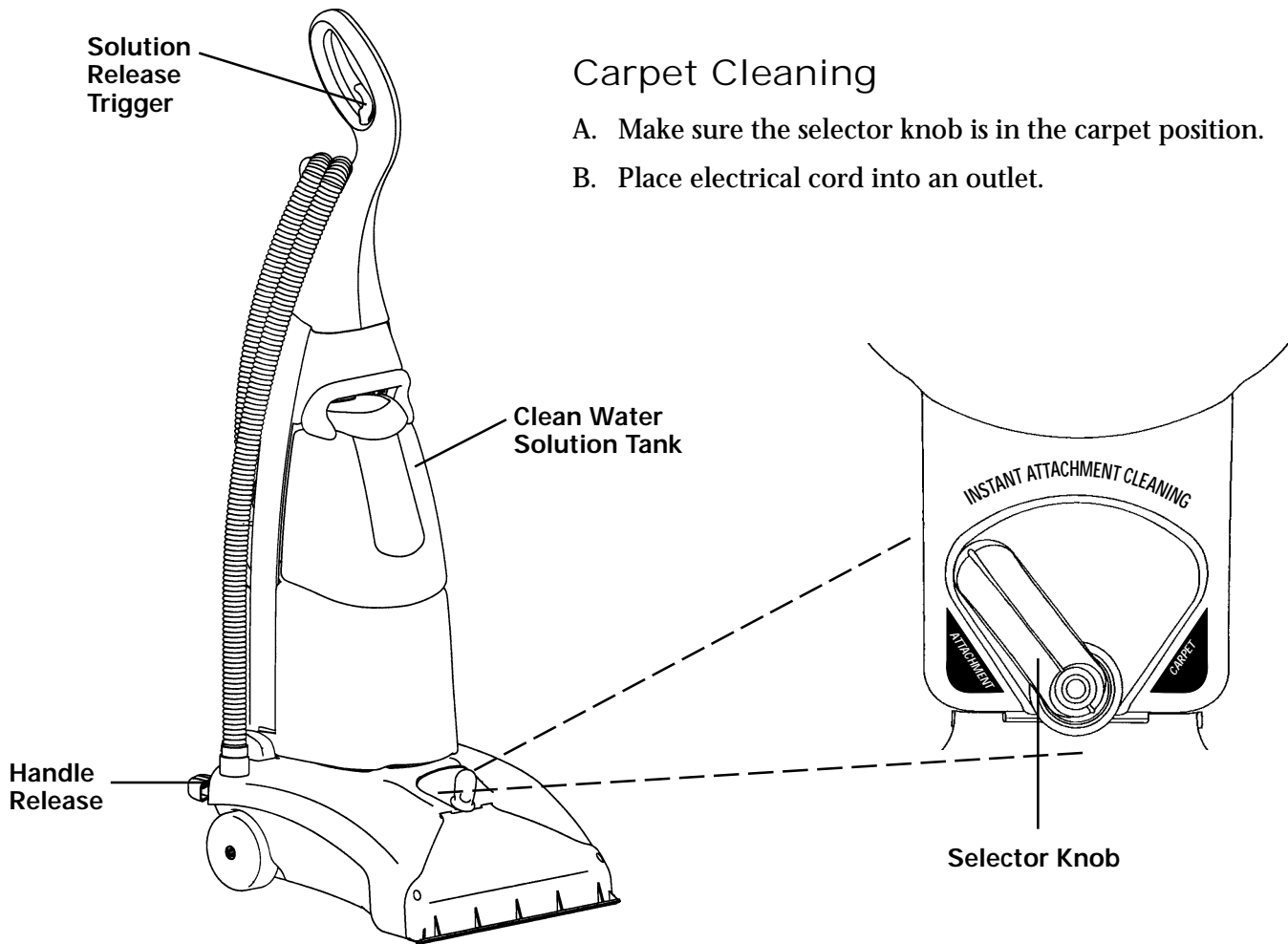
**FIGURE 2**  
Recovery Tank



### Automatic Shut-Off

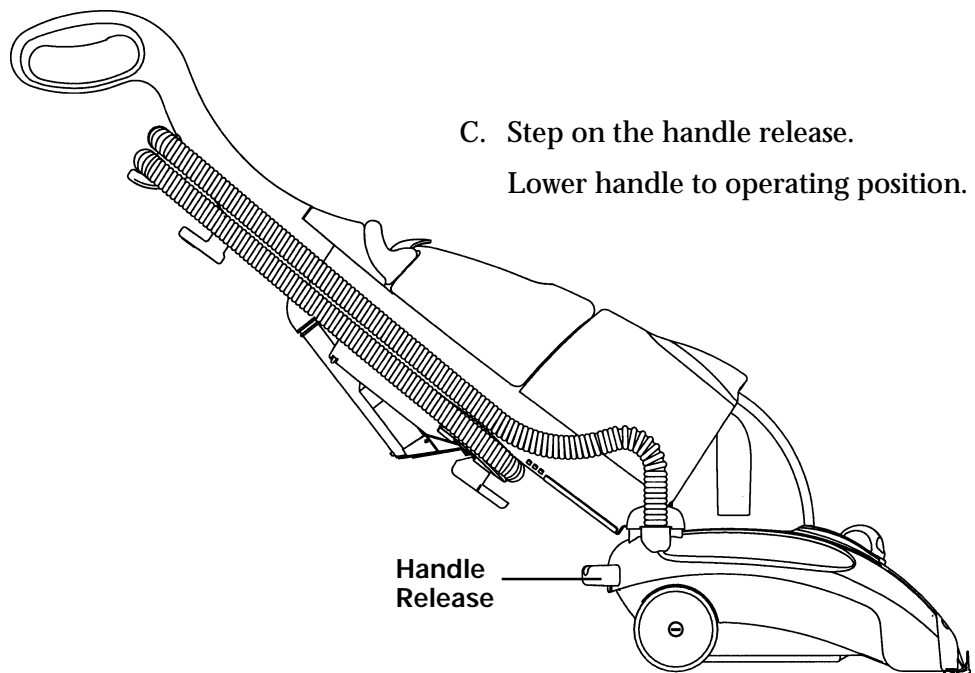
The automatic suction shut-off functions when the recovery tank is full of liquid. This can be detected by a noticeable difference in the motor sound. Immediately turn off the unit when this happens and empty the recovery tank.

# How To Use The Carpet Shampooer/Extractor

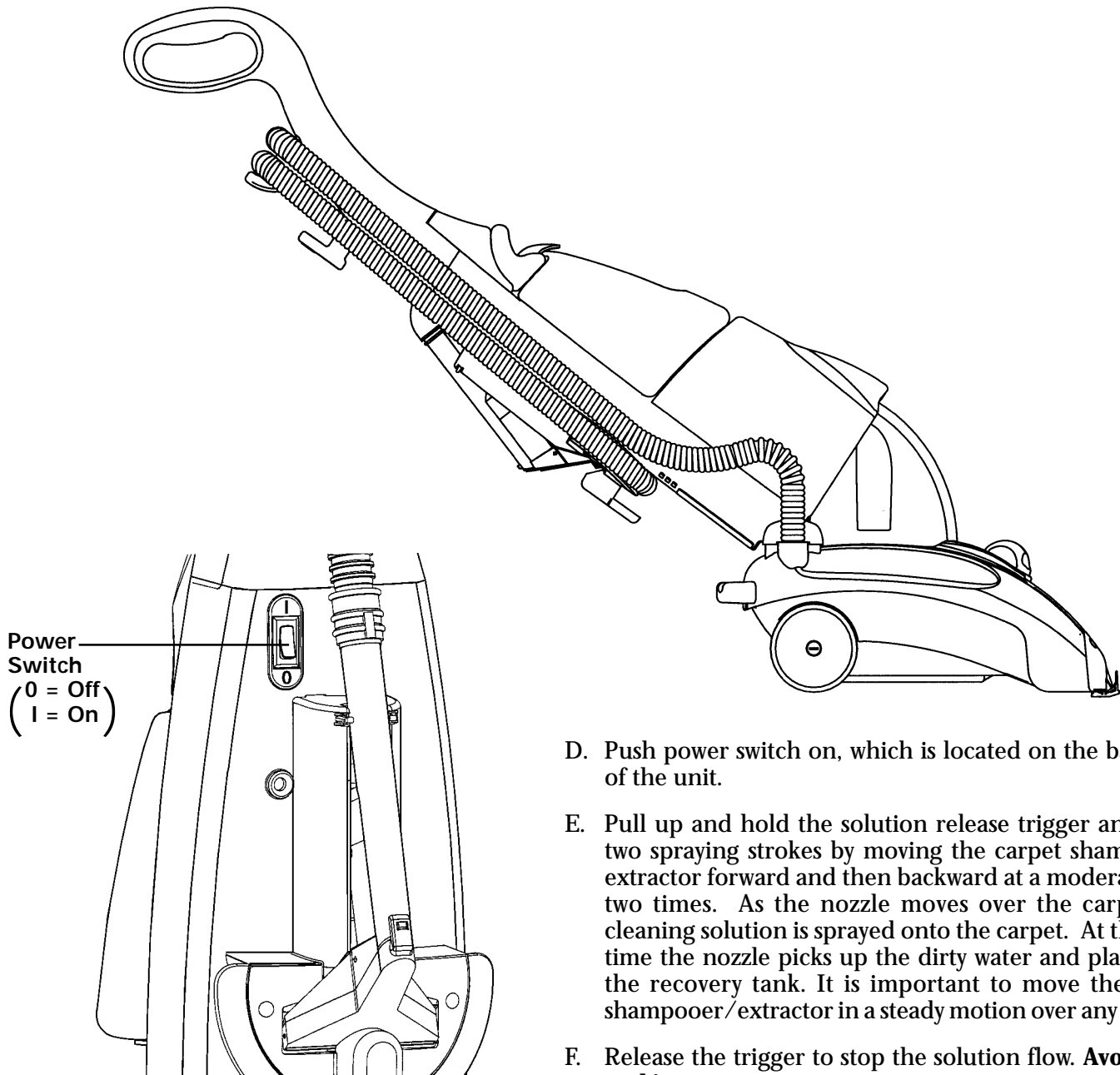


## Carpet Cleaning

- A. Make sure the selector knob is in the carpet position.
- B. Place electrical cord into an outlet.



# Operating The Carpet Shampooer/Extractor



Power Switch  
(0 = Off)  
(1 = On)

**NOTE:** The nap of the carpeting and the amount and type of soil may require less or more cleaning solution be applied to achieve desired cleaning levels.

- D. Push power switch on, which is located on the back side of the unit.
- E. Pull up and hold the solution release trigger and apply two spraying strokes by moving the carpet shampooer/extractor forward and then backward at a moderate pace two times. As the nozzle moves over the carpet, the cleaning solution is sprayed onto the carpet. At the same time the nozzle picks up the dirty water and places it in the recovery tank. It is important to move the carpet shampooer/extractor in a steady motion over any surface.
- F. Release the trigger to stop the solution flow. **Avoid over-soaking.**
- G. Move the carpet shampooer/extractor over the carpet several more times **without** engaging the trigger. Repeat this process until little or no water is visibly traveling under the clear suction shield. This removes excess water and helps the carpet dry faster.
- H. Repeat steps E, F, and G on heavily soiled areas.

## Transporting the Carpet Shampooer/Extractor

When moving the carpet shampooer/extractor from one location to another, always make sure the recovery and clean water solution tanks are completely empty. Then tilt the unit slightly backward and roll on rear wheels or use the carpet shampooer/extractor's carrying handle for transporting up and down stairs.

### Fabric Code Ratings:

- W for wet clean.
- S-W for solvent-dry or wet clean.
- S for solvent-dry clean only. Do not wet clean.

# *How To Prepare The Carpet Shampooer/Extractor For Upholstery And Stair Cleaning*

## Vacuum Upholstery or Stairs

**NOTE: Never use this carpet shampooer/extractor as a standard vacuum cleaner.**

Vacuum upholstery and stairs with a vacuum cleaner's attachment tool. Use a crevice tool for hard to reach areas such as tufts and corners.

**IMPORTANT: Cleaning some upholstery fabrics with a wet cleaning solution may damage the fabric. Know what the fabric content is and how to clean it before using a cleaning solution on upholstery fabrics.**

Most manufacturers care code their fabrics with cleaning methods. Some very delicate and unusual fabrics are DRY CLEAN ONLY. If in doubt of the fabric type, call a dealer or take a cushion or arm cover to a dealer for advice.

Check the stuffing material if possible

Look inside the cushions or on the underneath side. If filling is a dark color, it may bleed through and discolor the fabric. Most stuffing material that is white to light yellow is colorfast and will not bleed colors through to the fabric covering.

Test clean a hidden area

Be sure to test clean a hidden area several hours before starting to clean. Let the test area dry completely. Inspect for changes in color, bleeding, stretching, or shrinking. Test another area if in doubt.

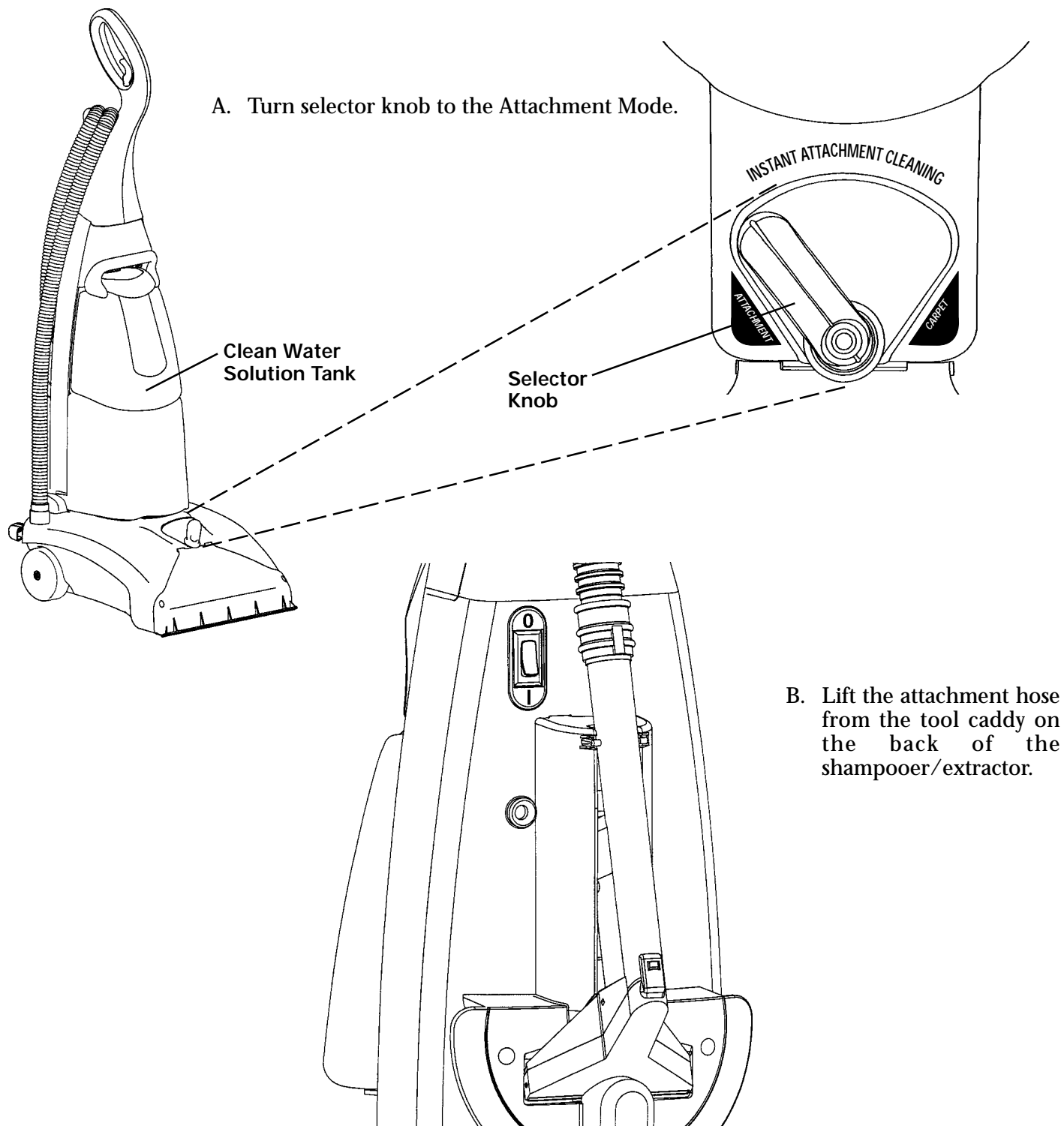
Pretest for Color Fastness

Before cleaning the upholstery, we recommend testing it for color fastness. Moisten a white towel with the cleaning solution. Test a small area of the cushion back. Gently rub the cloth over the area. Check each area for color bleeding. If the towel does not pick up any color, it should be safe to use the cleaning solution on the entire area.

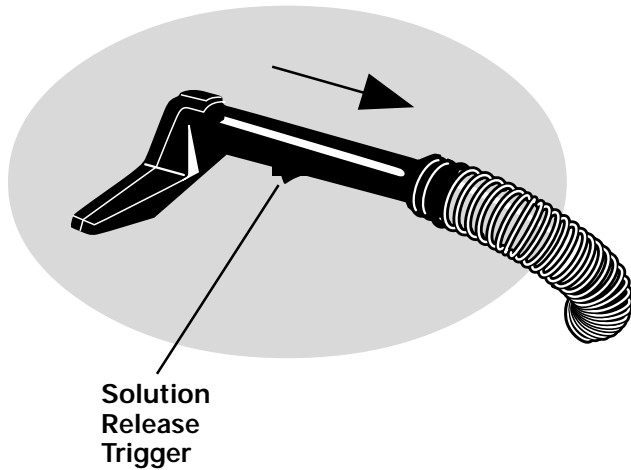
# How To Use The Carpet Shampooer/Extractor For Upholstery Or Stair Cleaning

**NOTE:** Use extra caution when cleaning on stairs.

To prevent the carpet shampooer/extractor from falling, do not place the unit on stairs. It is suggested that the carpet shampooer/extractor be placed at floor level to clean the lower portion of the stairs and be securely placed at the top of the stairway to clean the upper portion of the stairs.



# How to Use the Carpet Shampooer/Extractor for Upholstery and Stair Cleaning (continued)



- C. Place the Upholstery Nozzle at the top of the cleaning area.
- D. Pull up and hold the solution release trigger and pull the nozzle backward at a moderate pace.
- E. Release the trigger at the end of the stroke.
- F. Lift nozzle and start again at the top. Apply one to three spraying strokes. **Avoid over-soaking the area.**

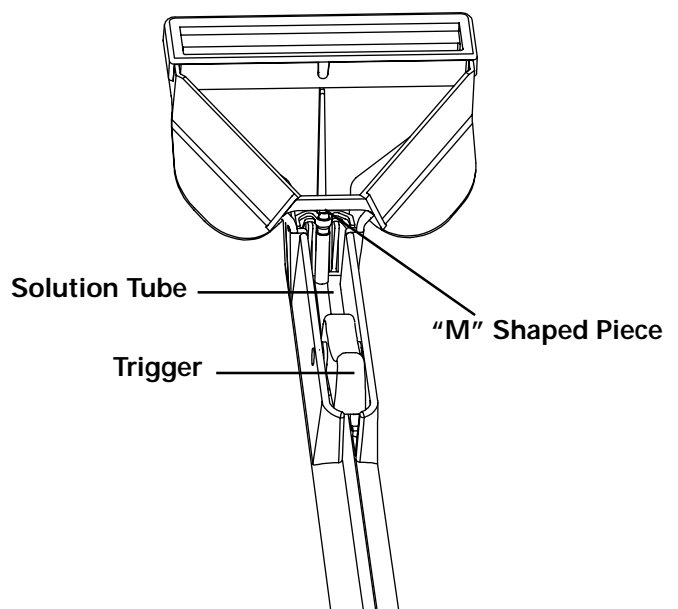
**NOTE:** As the nozzle moves over the surface, the cleaning solution sprays onto the surface. At the same time the nozzle picks up the dirty water and places it in the recovery tank.

- G. Move the nozzle over the surface several more times without engaging the trigger. This removes excess water and helps the surface dry faster.
- H. Brush roll does not rotate when cleaning in the attachment mode.

**NOTE:** If the cleaning solution and water are not released from the upholstery/stair nozzle, there may be an air lock. With unit in the Off position, raise the attachment handle above your head. Then engage the attachment handle trigger for 4 seconds. Turn unit On to resume spraying.

**NOTE:** If you should encounter a clog in the Upholstery/Stair Nozzle Filter:

- 1) Remove the "M" shaped piece on the underside of the Upholstery/Stair Nozzle (Use a small screwdriver to pry loose).
- 2) Clear and rinse any debris from the "M" shaped piece by placing it under running water.
- 3) Replace the "M" shaped piece into the solution tube then position and lock the piece into place.



# How To Maintain The Carpet Shampooer/ Extractor

The instructions in this booklet serve as a guide to routine maintenance. Follow these suggestions to avoid unnecessary service calls.

Before storing the carpet shampooer/extractor, on a linoleum or vinyl surface put the unit in the floor mode and use clean water (without solution) to flush out all remaining particles in the carpet shampooer/extractor unit.

- Place clean water in the clean water solution tank.
- Operate the unit, by pulling up on the Dispensing Trigger located in the carpet shampooer/extractor's handle.
- Activate the trigger for 4 strokes (2 forward and 2 backward).
- Then, release the trigger while operating the unit for another 4 strokes or until the flooring is dry.

For models featuring the Attachment Hose, on a linoleum or vinyl surface, activate the trigger on the attachment handle to run clear water through the nozzle using 4 backward strokes. Then release trigger and proceed with any additional strokes to remove moisture. This will flush out all the remaining particles.



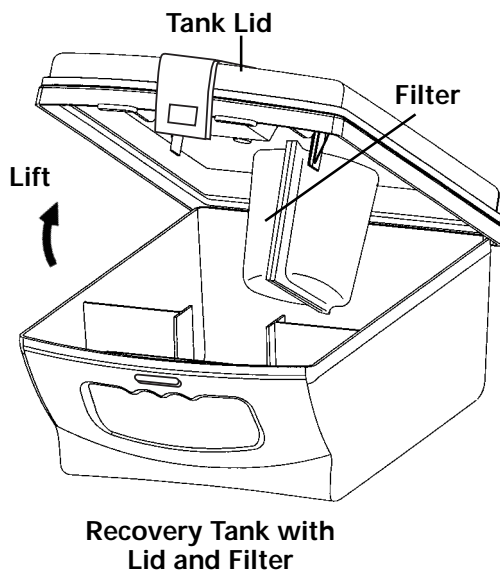
## A. Clean Water Solution Tank Maintenance

**NOTE:** Turn off the power switch and unplug the electrical cord before cleaning.

1. Remove the clean water solution tank by lifting up on the tank latch to release the clean water solution.
2. Grasp the carrying handle to remove the clean water solution tank from the carpet shampooer/extractor unit.
3. Empty any remaining liquids from the clean water solution tank.
4. Rinse the tank with warm tap water.
5. Thoroughly air dry the clean water solution tank before storing.
6. Place the dry, clean water solution tank back onto the carpet shampooer/extractor unit making sure it snaps securely into place. See page 9 for more detailed instructions.

## B. Recovery Tank Maintenance

**NOTE:** Turn off the power switch and unplug the electrical cord before cleaning.

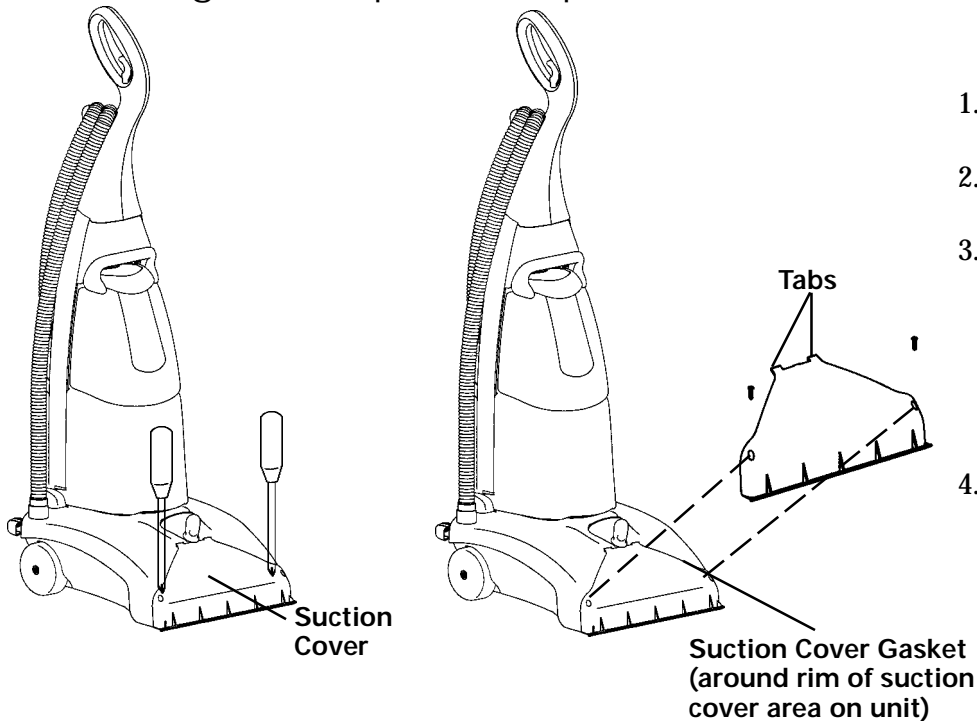


1. Remove the recovery tank from the carpet shampooer/extractor unit by pushing the recovery tank latch downward to release it from the unit.
2. Pull the tank out from the lower portion of the carpet shampooer/extractor unit.
3. Lift the tank lid off and empty contents into a suitable water drain.
4. Clean the recovery tank and lid with soap and water. Also, rinse the filter after each use with water.
5. Thoroughly air dry the recovery tank before storing.
6. To replace the recovery tank into the unit, push the dry recovery tank all the way into the carpet shampooer/extractor until the latch snaps to secure the tank. Be sure the ridge on the latch is pushed all the way under the carpet shampooer/extractor housing.

# How To Maintain

**NOTE: Turn off the power switch and unplug the electrical cord to service cleaning nozzles.**

## C. Cleaning the Carpet Shampooer/Extractor's Suction Cover



1. Remove the screws from each side of the suction cover.
2. Lift the suction cover off and clean the area of dirt and lint.
3. Replace the suction cover by sliding the tabs on top of the suction cover into the top slots on the hood. Make sure the suction cover gasket is in place on the unit before replacing cover.
4. Align one of the screw holes in the suction cover, hood and base then secure with screw. Also complete this step for second screw hole.

## D. Cleaning the Carpet Shampooer/Extractor's Plunger, Boot Seal and Filter

1. Remove the clean water solution tank.
2. Remove the Plunger, Boot Seal and Filter Assembly by lifting up the Boot Seal. This will pull out the Plunger, Boot Seal and Filter Assembly (see Figure 1).
3. Remove the Reservoir Filter and clean it by removing any debris and rinsing with water.
4. Reinsert the Filter on the Plunger stem and place the Assembly directly into the reservoir. Install this assembly into the reservoir by pressing down on the top of the plastic plunger. Do not press down on the rubber boot seal.

**IMPORTANT! Make sure the plunger stem is placed into the hole in the bottom of the reservoir for a secure fit (see Figure 2).**

5. Replace the Clean Water Solution Tank back onto the carpet shampooer/extractor unit.

FIGURE 1

## Plunger, Boot Seal and Filter Assembly

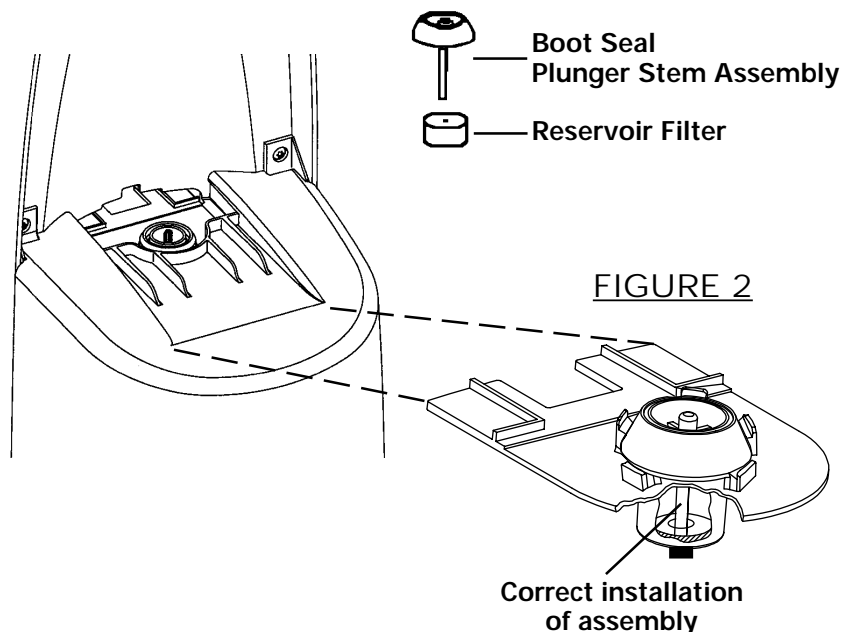


FIGURE 2



# How To Maintain

## E. How to Replace the Carpet Shampooer/Extractor's Belt

**NOTE: Turn off the power switch and unplug the electrical cord to replace the brush roll belt.**

**NOTE: If the tanks contain liquid, remove both tanks before placing the handle on the floor.**

FIGURE 1

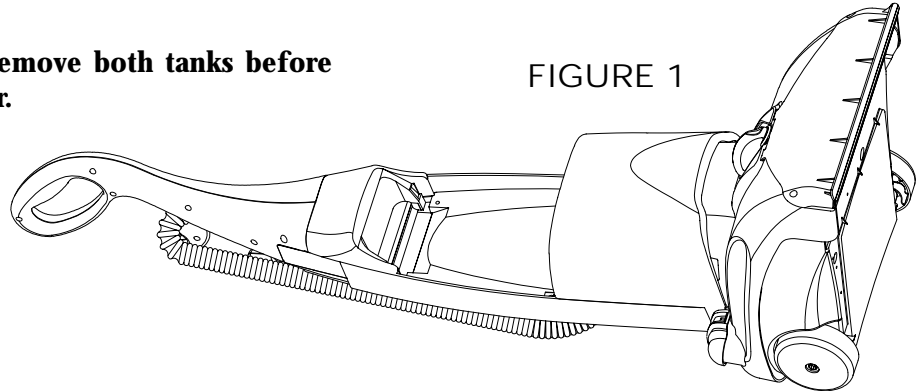
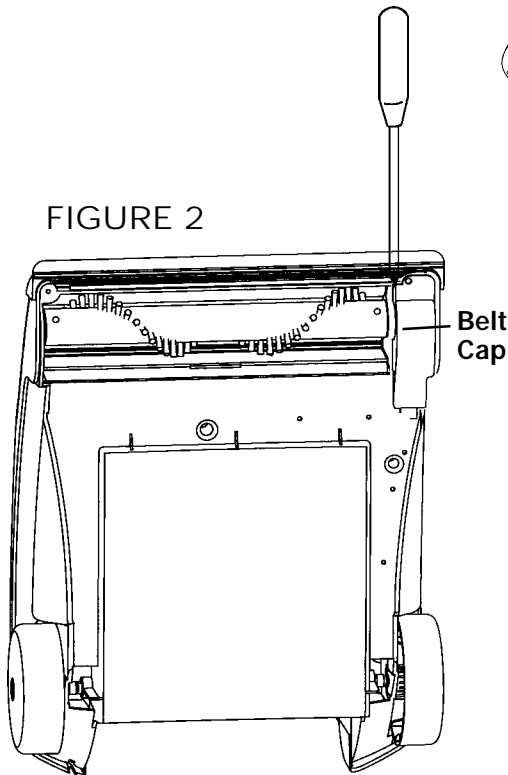
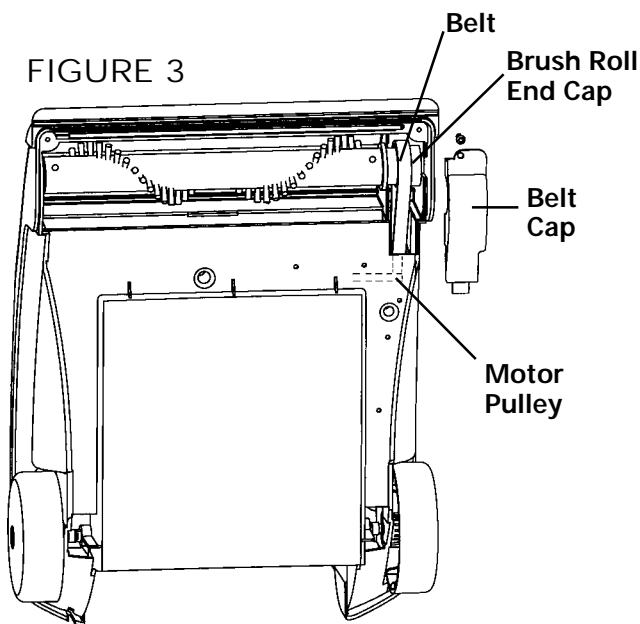


FIGURE 2



1. Tip the carpet shampooer/extractor back to place the handle on the floor (See Figure 1).
2. Position yourself in front of the carpet shampooer/extractor's base and remove the screw from the right side of base (Figure 2).
3. Lift off the belt cap.
4. Lift brush roll out and remove worn belt.
5. Squeeze the sides of new belt together and place it around the motor pulley. Squeezing the belt will aid in placing the belt on the pulley.
6. Place the pulley end of brush roll inside the belt.
7. Align brush roll end caps with openings in base.
8. Push down on the brush roll to secure it (Figure 3).
9. Rotate the brush roll until the belt is in place.
10. Replace belt cap and secure with screw.

FIGURE 3



### Brush Roll Belt (for models with a brush roll)

The brush roll belt on the carpet shampooer/extractor drives the brush to agitate, sweep, and comb the carpet nap. Check the belt regularly to be sure it is in good condition. Replace the belt if it is stretching, cracking or slipping. Cut away any hair or thread wound around the brush roll or the belt pulley because the buildup could cause the belt to rotate unevenly.

\* When reinstalling the brush roll, check the end caps for correct alignment into the base of the unit. Sometimes the squares of the end caps become off-center. By holding one end and turning the other, realignment can be corrected.

## PROBLEM SOLVING

**NOTE: Turn off the switch and unplug the electrical cord before servicing.**

PROBLEM	CAUSE	SOLUTION
Motor will not start.	<input checked="" type="checkbox"/> Electric Plug  <input checked="" type="checkbox"/> Power switch is not turned ON	<input type="checkbox"/> Push plug securely into outlet. <input type="checkbox"/> Try another outlet. <input type="checkbox"/> Check circuit breaker. <input type="checkbox"/> Make sure power switch is in ON position.
Cleaning solution and water are not released from the Carpet Nozzle	<input checked="" type="checkbox"/> Clean Water Solution Tank is incorrectly installed  <input checked="" type="checkbox"/> Carpet nozzle area clogged	<input type="checkbox"/> Be sure Clean Water Solution Tank is locked securely into place. <input type="checkbox"/> Refill Clean Water Solution Tank with clean water and solution. <input type="checkbox"/> Remove debris from the carpet nozzle area. <input type="checkbox"/> Check Plunger, Boot Seal and Filter Assembly (see p. 16)
Cleaning solution and water are not released from the Upholstery/Stair Nozzle	<input checked="" type="checkbox"/> Air Lock  <input checked="" type="checkbox"/> Low water solution level in clean water solution tank <input checked="" type="checkbox"/> Clog in Upholstery/Stair Nozzle <input checked="" type="checkbox"/> Clog in Upholstery/Stair Nozzle tubing  <input checked="" type="checkbox"/> Plunger, Boot Seal and Filter Assembly is not in correct position	<input type="checkbox"/> With unit in the OFF position, raise the attachment handle above your head. Then engage the attachment handle trigger for 4 seconds. Turn unit ON to resume spraying. <input type="checkbox"/> Check the water level in the Clean Water Solution Tank and refill. <input type="checkbox"/> Clear the Upholstery/Stair Nozzle of debris. <input type="checkbox"/> Remove the "M" shaped piece on the underside of the Upholstery/Stair Nozzle, then remove, rinse and replace the filter into the Solution Tube (see p. 14). <input type="checkbox"/> Check Plunger, Boot Seal and Filter Assembly (see p. 16)
Does not pick up the dispensed cleaning solution and water from carpet	<input checked="" type="checkbox"/> Recovery Tank is full  <input checked="" type="checkbox"/> Recovery Tank is not fully installed <input checked="" type="checkbox"/> Selector Knob is not in carpet position	<input type="checkbox"/> Empty Recovery Tank. Replace lid and return to cleaner. Resume cleaning. <input type="checkbox"/> There may be excessive foam in the Recovery Tank. Use correct cleaning solution and water mix ratio: (4 ounces of cleaning solution per 1 gallon of water.) Empty Recovery Tank, then clean or replace the filter. <input type="checkbox"/> Make sure Recovery Tank is fully locked into position. <input type="checkbox"/> Make sure the Selector Knob is in the carpet position.
Does not clean the carpet	<input checked="" type="checkbox"/> Belt <input checked="" type="checkbox"/> Brush Roll  <input checked="" type="checkbox"/> Improper cleaning solution used <input checked="" type="checkbox"/> Selector Knob not in carpet position	<input type="checkbox"/> Replace a cut, loose, or out of shape belt (see p. 17) <input type="checkbox"/> Remove belt cap and clean hair, thread and debris from bristles and brush roll area. Replace brush roll if bristles are worn. <input type="checkbox"/> Use Genuine GE Carpet/Upholstery Cleaning Solution. <input type="checkbox"/> Make sure Selector Knob is in carpet position.
Clean Water Solution Tank leaks prior to activating handle trigger or Upholstery/Stair Nozzle Trigger	<input checked="" type="checkbox"/> Plunger, Boot Seal and Filter Assembly is not in correct position	<input type="checkbox"/> Remove Clean Water Solution Tank and check Plunger, Boot Seal and Filter Assembly by removing it and reinstalling it into the reservoir by pressing the top of the plastic plunger downward. Do not press down on the rubber Boot Seal.
Minimal suction at the end of the hose	<input checked="" type="checkbox"/> Selector Knob is not in the attachment position <input checked="" type="checkbox"/> Upholstery/Stair Nozzle is clogged  <input checked="" type="checkbox"/> Recovery Tank not completely installed	<input type="checkbox"/> Make sure Selector Knob is in attachment position.  <input type="checkbox"/> Remove any visible clogs from nozzle that restricts the airflow. <input type="checkbox"/> Activate the Upholstery/Stair Nozzle Trigger and flush with clean water while the unit is in attachment mode (see p. 14). <input type="checkbox"/> Make sure Recovery Tank is in locked secured position.
Water appears on top of the Recovery Tank	<input checked="" type="checkbox"/> Plunger, Boot Seal and Filter Assembly is not correctly installed	<input type="checkbox"/> Remove Clean Water Solution Tank and check Plunger, Boot Seal and Filter Assembly by removing it and reinstalling it into the reservoir by pressing the top of the plastic plunger downward. Do not press down on the rubber Boot Seal.
Suction shuts off prematurely	<input checked="" type="checkbox"/> Excessive foam in the Recovery Tank  <input checked="" type="checkbox"/> Improper cleaning solution used	<input type="checkbox"/> Use correct cleaning solution and water mix ratio: (4 ounces of cleaning solution per 1 gallon of water.) Empty Recovery Tank, then clean or replace the filter. <input type="checkbox"/> Use Genuine GE Carpet/Upholstery Cleaning Solution.
Missing parts		<input type="checkbox"/> Call 1-877-207-0923 for customer assistance.
Questions		<input type="checkbox"/> Call 1-877-207-0923 for customer assistance.



# Customer Assistance

If you have a claim under this warranty, please call our Customer Assistance Number. For faster service please have model, series, and type numbers ready for operator to assist you. These numbers can be found on the rating plate on the bottom of your cleaner.

MODEL: \_\_\_\_\_ TYPE: \_\_\_\_\_ SERIES: \_\_\_\_\_

Customer Assistance Number, 1-877-207-0923; Canada, 1-877-556-0973

Keep this number for future reference!

E-mail inquiries: [www.wal-mart.com](http://www.wal-mart.com)

## Two-Year Limited Warranty

### What does your warranty cover?

- Any defect in material or workmanship.

### For how long after the original purchase?

- Two years.

### What will we do?

- Provide you with a new unit.
- The exchange unit is warranted for the remainder of your product's original two-year warranty period.

### How do you make a warranty claim?

- Properly pack your unit. We recommend using the original carton and packing materials.
- Include in the package a copy of the sales receipt or other evidence of date of original purchase. If the unit was a gift, provide a statement specifying the date received. Also print your name and address and a description of the defect.
- Return the product to your nearest WAL-MART store.
- A new unit will be provided.

### What does your warranty not cover?

- Belts, filters and light bulbs.
- Commercial use or any other use not found in printed directions.
- Damage from misuse, abuse, or neglect.
- Products purchased or serviced outside the USA.

### How does state law relate to this warranty?

- This warranty gives you specific legal rights, and you may also have other rights which vary from state to state.
- WAL-MART expressly disclaims all responsibility for consequential damages or incidental losses caused by use of this appliance. Some states do not allow this exclusion or limitation of incidental or consequential losses so the foregoing disclaimer may not apply to you.

### What if you purchased this product in the United States, Canada or Mexico and encounter a problem while using it outside the USA?

- The warranty is valid only in the country of purchase and if you follow the warranty claim procedure as noted.

For products purchased outside the United States and Canada, see dealer for warranty.

WAL-MART Stores, Inc.

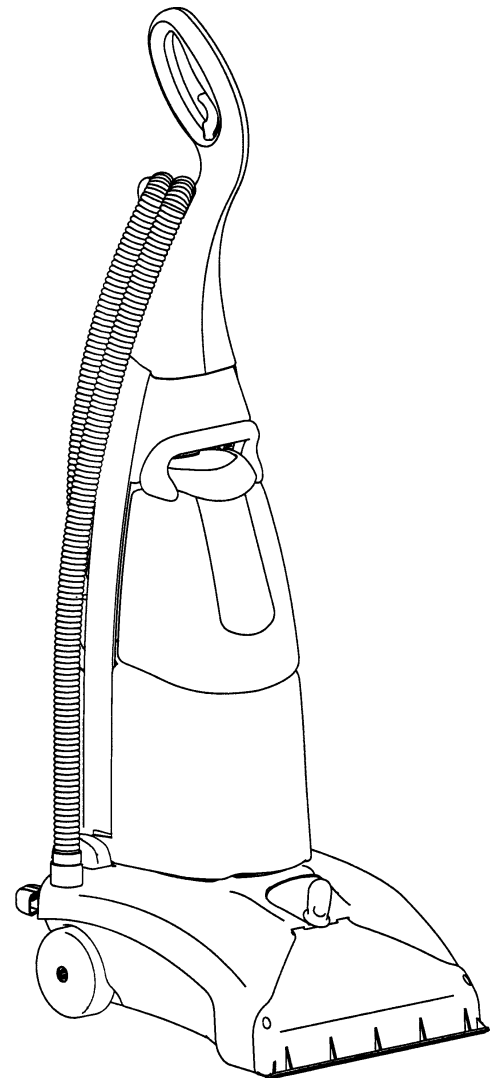
Bentonville, AR 72716



# Aspiradora de vapor profundo

Tipo doméstico

# Guía del propietario Modelo 106727



---

Importante para su seguridad .....	2
Información sobre servicio .....	4
Armado .....	6
Preparación.....	7
Uso .....	8-11
Mantenimiento.....	15-17
Resolviendo problemas .....	19
Garantía .....	21

Por Asistencia Para el Consumidor llame al: 1-877-207-0923

# Puntos de Seguridad

## IMPORTANTE PARA SU SEGURIDAD

Hay precauciones básicas a seguir siempre que se usa un aparato eléctrico, incluyendo las siguientes:

LEA TODAS LAS INSTRUCCIONES ANTES DE USAR.

### PRECAUCION

#### Para reducir el riesgo de incendio, descarga eléctrica o lesiones:

- No sumerja el producto. Uselo únicamente sobre superficies humedecidas por el proceso de limpieza.
- No lo use al aire libre ni lo exponga a la lluvia.
- Use únicamente detergentes para piso disponibles comercialmente para aplicar a máquina.
- **No deje la lavadora/extractora para alfombras cuando esté enchufada.** Apague el interruptor de corriente y desenchufe el cordón eléctrico cuando no la esté usando y antes de limpiarla.
- No deje que se use como un juguete. Preste atención especial cuando un niño la usa o cuando un niño está cerca.
- Usela sólo como lo indica este manual. Use sólo los accesorios recomendados por el fabricante.
- No la use con un cordón o enchufe en mal estado. Si la lavadora/extractora para alfombras no funciona bien, si ha recibido un golpe o si está en mal estado, si se ha dejado a la intemperie, o se ha mojado, hágala revisar antes de usarla.
- No jale ni la lleve del cordón, ni use el cordón como un mango, no cierre puertas sobre el cordón ni la jale de modo que el cordón roce esquinas o bordes filosos. No pase la lavadora/extractora encima del cordón. Evite la proximidad del cordón a superficies calientes.
- No use cordones eléctricos extra o toma corriente con menos capacidad de corriente que la necesaria.
- Apague todos los controles antes de desenchufarla.
- No la desenchufe jalando del cordón. Para desenchufarla tome el enchufe, no el cordón.
- No toque el enchufe o la lavadora/extractora con las manos húmedas.
- No coloque ningún objeto en las aberturas. No use la aspiradora si ve que cualquiera de las aberturas está bloqueada; manténgala limpia de polvo, pelusa, cabello o cualquier cosa que impida el paso del aire.
- Esta lavadora/extractora para alfombras crea succión y está provista de un cepillo circular giratorio. Mantenga el cabello, ropa suelta, dedos y demás partes del cuerpo alejados de las aberturas y partes móviles.
- No la use sin el tanque de recuperación en su lugar.
- No aspire nada que se esté quemando o humeando, como cigarrillos, fósforos (cerillos) o cenizas calientes.
- Tenga cuidado especial al limpiar las escaleras.
- Si la máquina se tumba cuando la está usando, apáguela inmediatamente, enderécela y espere que el motor se pare por completo. Esto permite que el flotador vuelva a su posición normal y deja que el aire pase como debe por la lavadora.
- No la use para aspirar líquidos inflamables o combustibles, tales como gasolina, no la use tampoco en áreas donde puede haberlos.
- Use y garde su aspiradora bajo techo en un lugar en que la temperatura es de más de 0 grado centígrado donde no se congele.
- Asegúrese que el área donde usa su aspiradora tenga buena luz.

## GUARDE ESTAS INSTRUCCIONES

## Instrucciones para la conexión de corriente a tierra

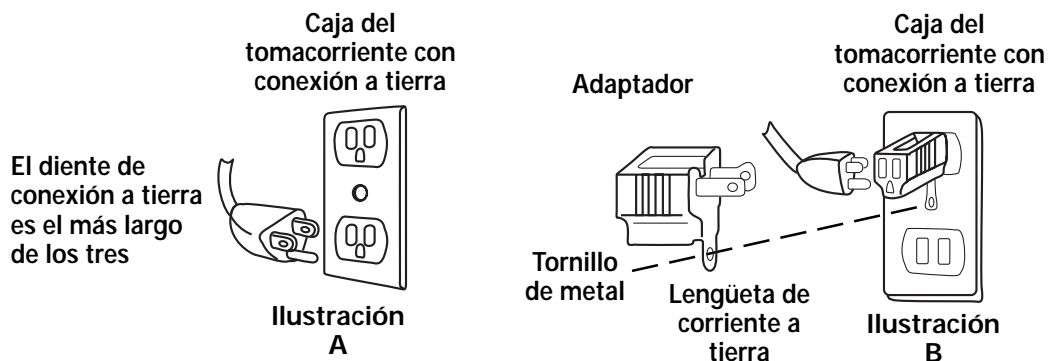
Esta máquina debe ser conectada a tierra. Si funciona mal o deja de funcionar, la conexión a tierra provee una salida de menor resistencia para la corriente eléctrica lo cual reduce el riesgo de recibir una descarga eléctrica. Esta máquina ya viene con un cordón con un conductor que conecta el equipo a tierra y un enchufe especial de conexión a tierra. El enchufe debe ser enchufado a un toma corriente con conexión a tierra, correctamente instalado de acuerdo con todos los códigos y reglamentos locales.

### PELIGRO

La conexión incorrecta del conductor a tierra puede resultar en una descarga eléctrica. Consulte con un electricista calificado o personal del servicio de reparaciones y partes, si no está seguro de que el toma corriente está bien instalado con salida a tierra. No modifique el enchufe que viene con la máquina. Si no entra en el toma corriente, consiga a un técnico calificado para instalar el toma corriente correcto.

Esta máquina es para ser usada en un circuito nominal de 120 voltios y tiene un enchufe a tierra como el de la Ilustración A. Puede usarse un adaptador temporario como el que se muestra en la Ilustración B para conectar este enchufe a un toma corriente de dos polos, tal como aparece en la ilustración, para el caso de que no se cuente con un toma corriente con conexión a tierra. El adaptador temporario debe ser usado únicamente hasta que un electricista calificado coloque un toma corriente debidamente conectado a tierra, Ilustración A. La lengüeta verde y que sobresale del adaptador debe ser conectada a una conexión a tierra permanente como ser la tapa de una caja de enchufe a tierra. Siempre que se use el adaptador, debe utilizarse un tornillo de metal para sujetarlo en el lugar.

**NOTA: En Canadá no se permite el uso del adaptador temporario.**



# Información General



**NUNCA PONGA ACEITE en el motor ni en el cepillo circular. Los cojinetes están permanentemente lubricados y sellados herméticamente.**

## Ayuda al cliente

Las instrucciones en este manual son una guía para el mantenimiento diario. Para obtener información sobre servicio adicional, por favor llame al 1-877-207-0923. **Debe saber el número de: modelo, tipo y número de serie cuando llama.**

## Información sobre la placa de datos

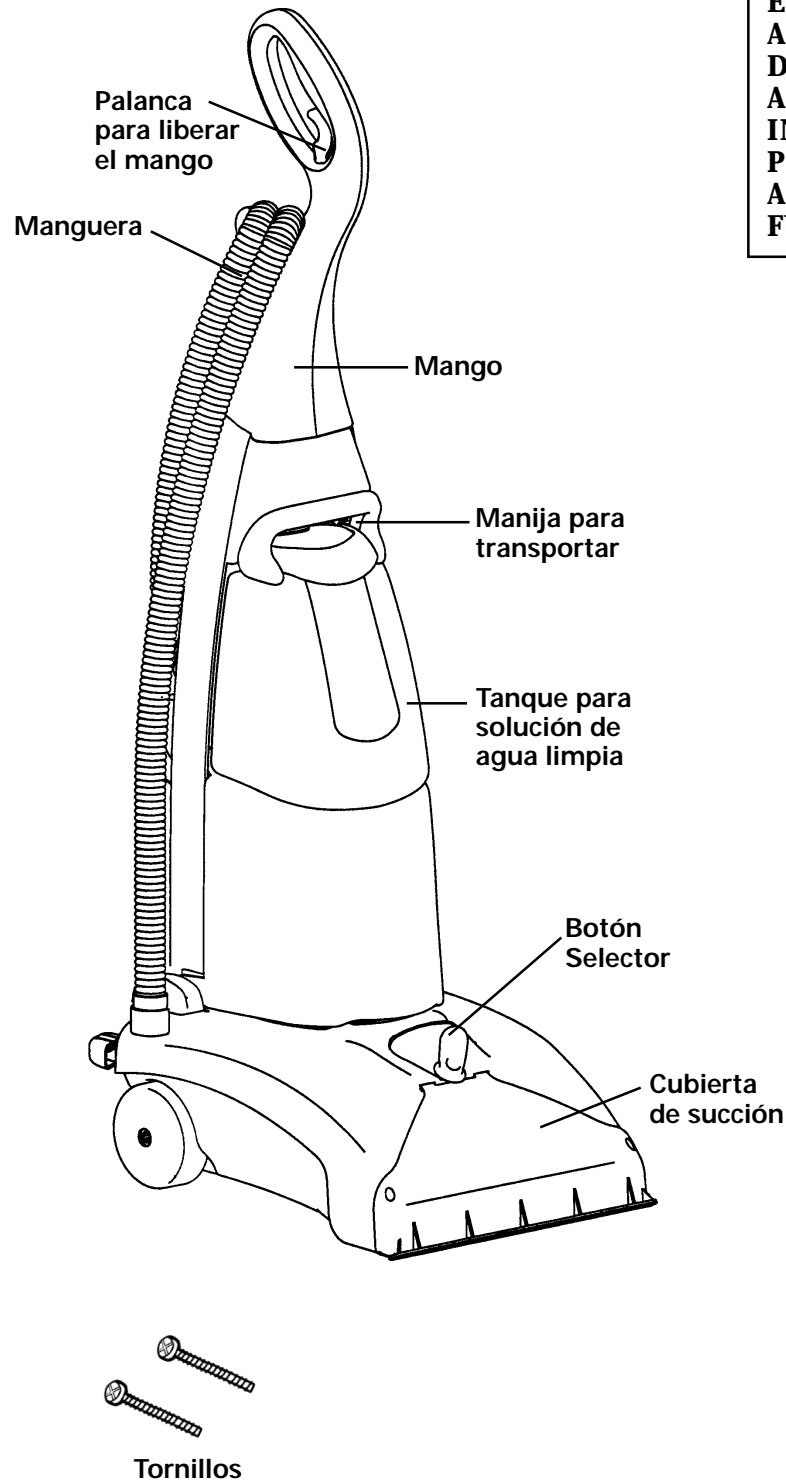
El modelo, tipo, y números de serie aparecen en la placa de datos que está en la parte de abajo de la aspiradora. Cuando llame por cualquier asunto relacionado con el servicio de reparaciones y partes, siempre tenga a mano estos números para obtener información inmediata y completa sobre el servicio de su máquina.

Modelo y Tipo \_\_\_\_\_

Serie No. \_\_\_\_\_

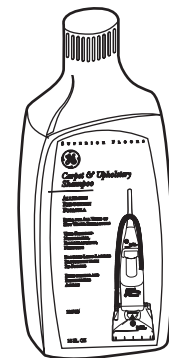


# Partes de la lavadora/extractora para alfombras

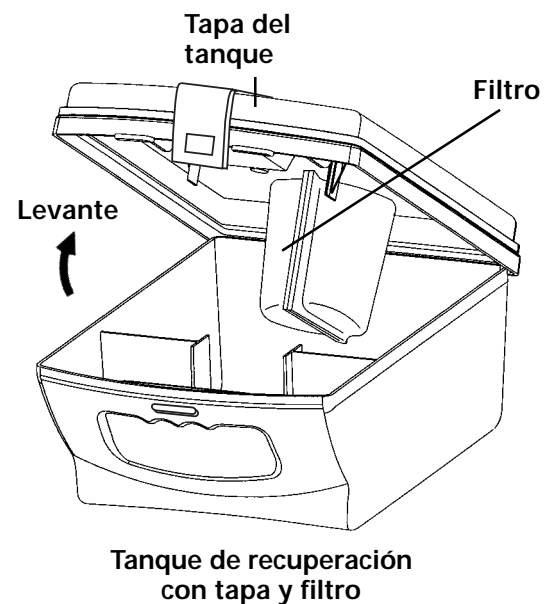


## NOTIFICACION

EN LOS MODELOS CON LA MANGUERA DE ACCESORIO QUIZA NOTE PEQUEÑAS GOTAS DE AGUA EN LA LINEA DE AGUA. ESTO SE DEBE A QUE TODAS LAS MAQUINAS SON INSPECCIONADAS 100% EN LA LINEA DE PRODUCCION USANDO AGUA PARA ASEGURAR QUE TODOS LOS ACCESORIOS FUNCIONEN CORRECTAMENTE.



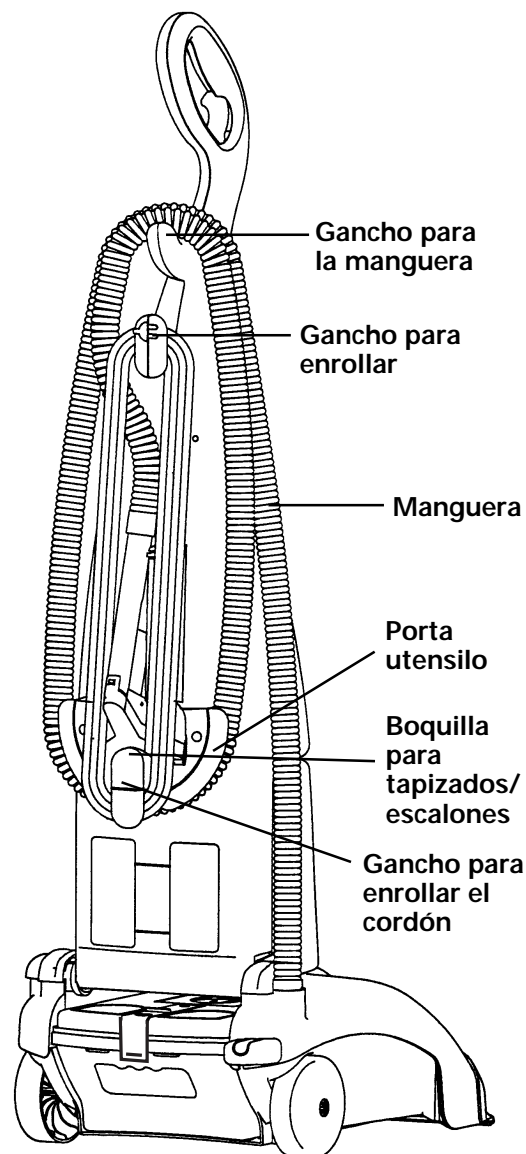
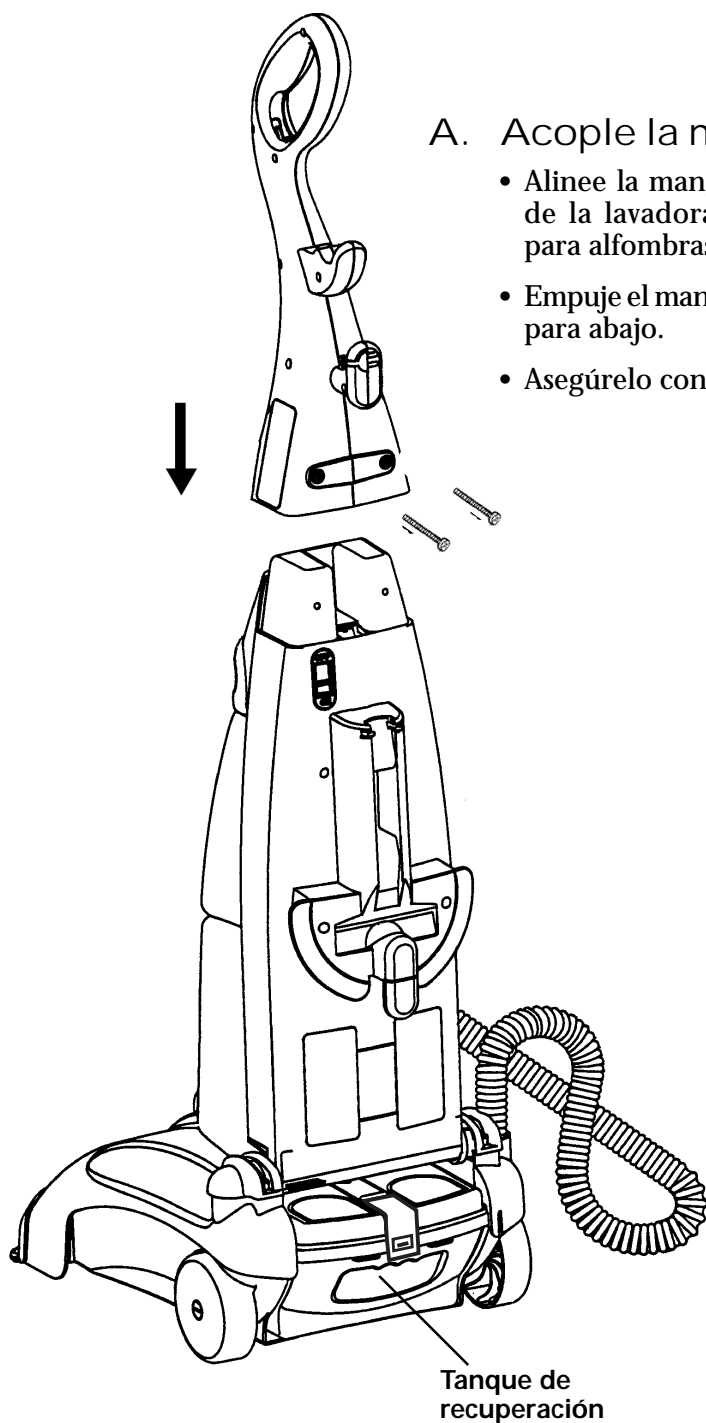
Solución limpiadora



NOTA: Usted también puede usar la solución de la marca Wal-Mart Great Value en su lavadora G.E.

# Como Armarla

NOTA: Arme totalmente la máquina lavadora/extractora para alfombras antes de usarla.



# Preparacion de la alfombra antes de limpiarla

Limpie la alfombra con la aspiradora

**NOTA: Nunca use esta lavadora/extractora para alfombras como una aspiradora común.**

A fin de obtener los mejores resultados, limpie las alfombras; con una aspiradora que tenga un cepillo circular. Las cerdas del cepillo circular ayudan a aflojar y quitar la suciedad que hay muy dentro de la lanilla de la alfombra.

(1) Haga una prueba previa para determinar que la alfombra no se destiñe

Antes de limpiar la alfombra, recomendamos hacer una prueba para determinar que la alfombra no se destiñe. Humedezca una toalla blanca con la solución limpiadora. Haga la prueba en un área pequeña, escondida de la alfombra en un closet (placard) o en un rincón. Friegue suavemente la tela sobre la alfombra. Revise cada color. Si la toalla no levanta nada de color, es seguro que puede usar la solución limpiadora en toda el área. Vea información adicional en la página 12.

(2) Retire los muebles

Retire de la habitación todos los muebles que pueda. Coloque papel de aluminio o film plástico debajo o alrededor de las patas y bases de los muebles que quedaron para prevenir que se manchen. Deje colocado, el papel de aluminio o plástico hasta que la alfombra se haya secado completamente. Use cinta adhesiva protectora o alfileres para quitar del camino los volados de los muebles y las cortinas.

## Sugerencias provechosas para la limpieza a fondo de la alfombra

Siga las indicaciones de esta guía del propietario. Aquí van algunas sugerencias adicionales que facilitarán la limpieza a fondo de la alfombra.

- Antes de empezar a usar la lavadora/extractora para alfombras, limpie a fondo la alfombra con una aspiradora.
- **No use la lavadora/extractora para alfombras para limpiar en seco ya que esto puede dañar la máquina.**
- Dese suficiente tiempo para limpiar a fondo las alfombras. Apurar el trabajo de limpieza puede, dar malos resultados.
- Para acelerar el tiempo de secado, limpie a fondo las alfombras durante periodos secos del año o cuando está funcionando el sistema de calefacción.
- Use movimientos hacia adelante y hacia atrás parejos sobre la superficie de la alfombra.
- Pásele inmediatamente un trapo a la madera y a los muebles de madera donde haya solución limpiadora para prevenir daños a la madera o tapizado.
- Levante las fibras húmedas contra la lanilla después de limpiar en mojado para ayudar a secar y prevenir que se apelmacen.
- Ventile la habitación mientras limpia para acelerar el secado.
- Trate de no caminar sobre las alfombras hasta que se hayan secado.
- Si la lavadora/extractora para alfombras es difícil de empujar cuando la usa, trate de empujarla en un Angulo de 90 grados diferente de manera que se desplace con el pelo y no a contra pelo de las fibras de la alfombra.

**Consulte un limpia-alfombras profesional antes de limpiar en mojado las alfombras orientales.**

## Después de la limpieza

- Deje que las alfombras se sequen completamente. Trate de impedir la presencia de niños y animales domésticos sobre la alfombra hasta que se seque completamente.
- Use toallas o telas blancas para pisar si tiene que caminar en el area antes de que se seque.
- Si se tiene que volver a colocar los muebles en la habitación antes de que la alfombra se haya secado, use papel de aluminio o plástico debajo de las patas de los muebles a fin de impedir que se manche la alfombra.

# Como preparar la lavadora/extractora para limpiar la alfombra

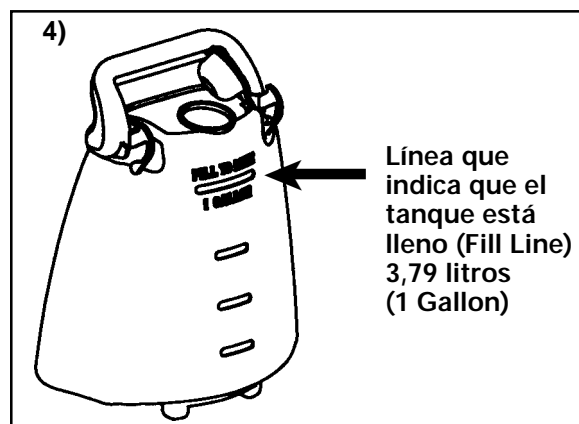
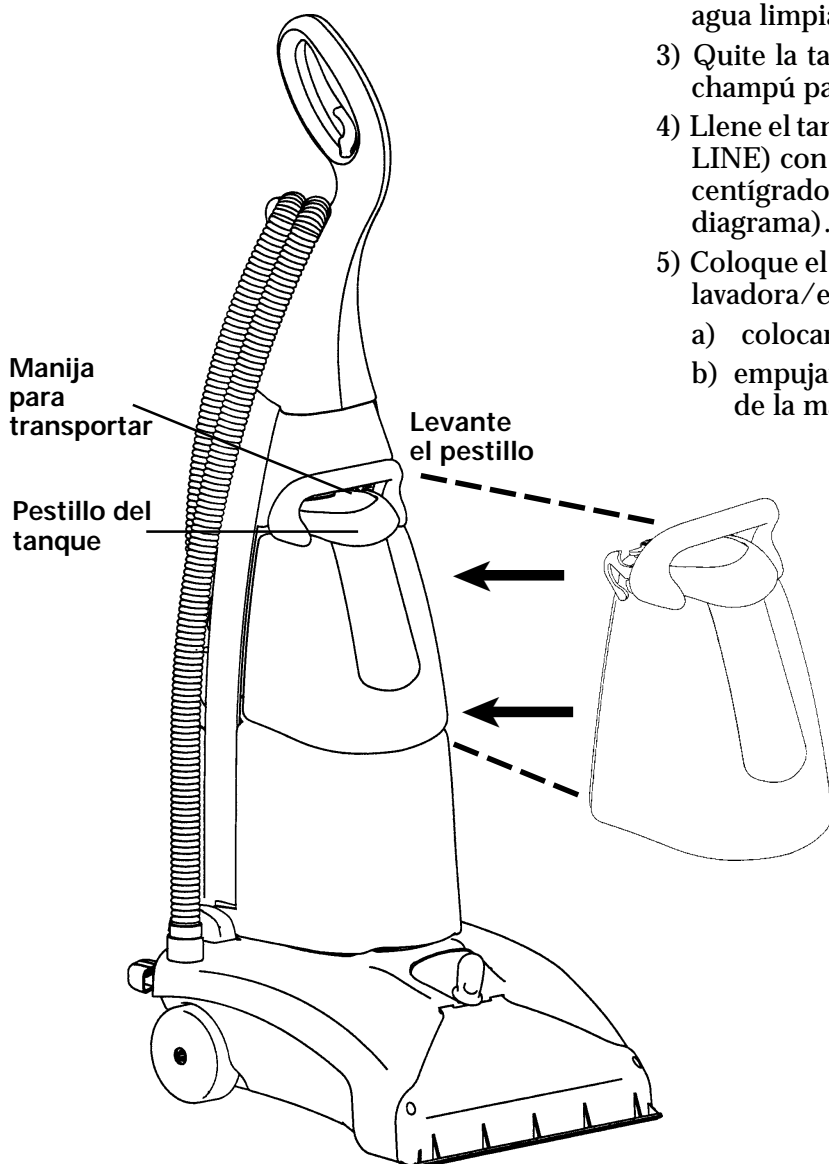
**IMPORTANTE:** Para obtener mejores resultados, empiece por tener una superficie limpia, pasándole la aspiradora antes de usar la lavadora/extractora para alfombras.

**NOTA:** Familiarícese con las partes de la lavadora/extractora para alfombras, leyendo este manual del propietario antes de usarla.

**NOTA:** Mezcle correctamente la solución limpiadora para evitar daños a la alfombra y el tapizado.

## A. Llene el tanque de solución de agua limpia

- 1) Levante el pestillo del tanque para liberar el tanque de solución de agua limpia.
- 2) Tome la manija para transportar el tanque de solución de agua limpia y quítelo de la máquina.
- 3) Quite la tapa y agregue al tanque 0,118 litros (4 onzas) de champú para alfombra/tapizado Genuino de Eureka.
- 4) Llene el tanque hasta la línea que indica que está lleno (FILL LINE) con agua corriente tibia, que no exceda los 50 grados centígrados (120 grados F), vuelva a colocar la tapa (vea el diagrama).
- 5) Coloque el tanque de solución de agua limpia en la máquina lavadora/extractora para alfombras por medio de:
  - a) colocar la base del tanque en el depósito.
  - b) empujar levemente la porción superior del tanque dentro de la máquina hasta que encaje bien en su lugar.



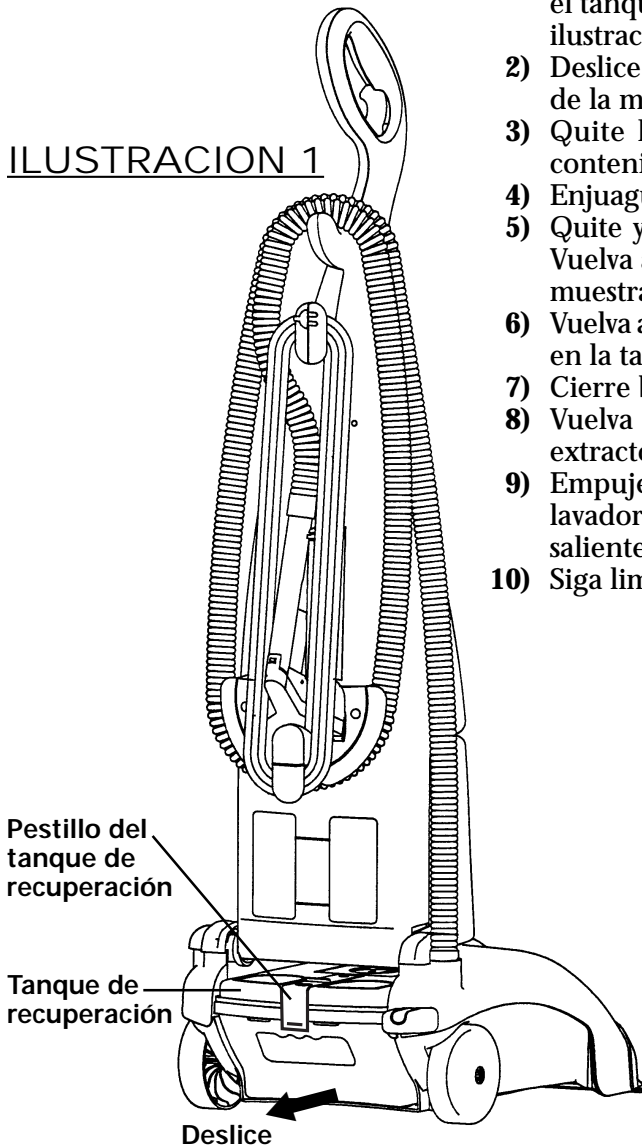
**NOTA:** Al trasladar la máquina limpiadora/extractora para alfombras de un lugar a otro, siempre asegúrese de que el tanque de recuperación y el de solución de agua limpia están completamente vacíos. Luego incline la máquina levemente hacia atrás y hágala rodar sobre las ruedas traseras o use la manija para transportar de la máquina para llevarla al subir y bajar las escaleras.

## B. Cómo vaciar el tanque de recuperación

**NOTA:** Apague el interruptor eléctrico y desenchufe la lavadora/extractora para vaciar el tanque de recuperación.

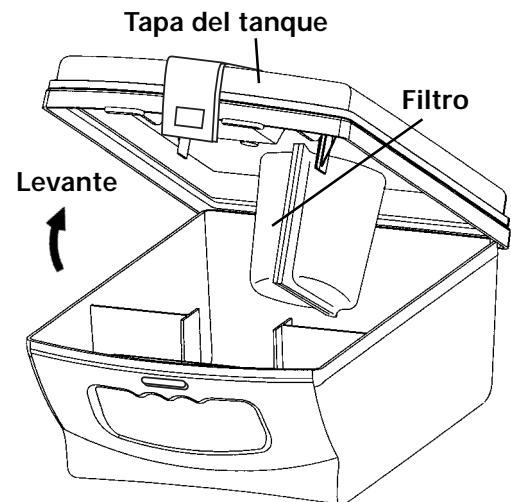
- 1) Presione el pestillo del tanque de recuperación hacia abajo para soltar el tanque de la lavadora/extractora para alfombras como lo muestra la ilustración 1.
- 2) Deslice el tanque de recuperación hacia afuera de la porción inferior de la máquina.
- 3) Quite la tapa del tanque de recuperación levantándola y vacíe el contenido en un drenaje de agua apropiado.
- 4) Enjuague a fondo el tanque de recuperación y la tapa del tanque.
- 5) Quite y limpie el filtro enjuagándolo con agua después de cada uso. Vuelva a colocar el mismo filtro en el tanque de recuperación como lo muestra la ilustración 2.
- 6) Vuelva a colocar la tapa del tanque de recuperación alineando las ranuras en la tapa sobre las lengüetas del tanque.
- 7) Cierre bien la tapa.
- 8) Vuelva a colocar el tanque de recuperación en la máquina lavadora/extractora para alfombras.
- 9) Empuje el tanque de recuperación del todo dentro de la máquina lavadora/extractora hasta que quede asegurado. Asegúrese de que la saliente sobre el pestillo encaje bien en su lugar.
- 10) Siga limpiando.

ILUSTRACION 1



ILUSTRACION 2

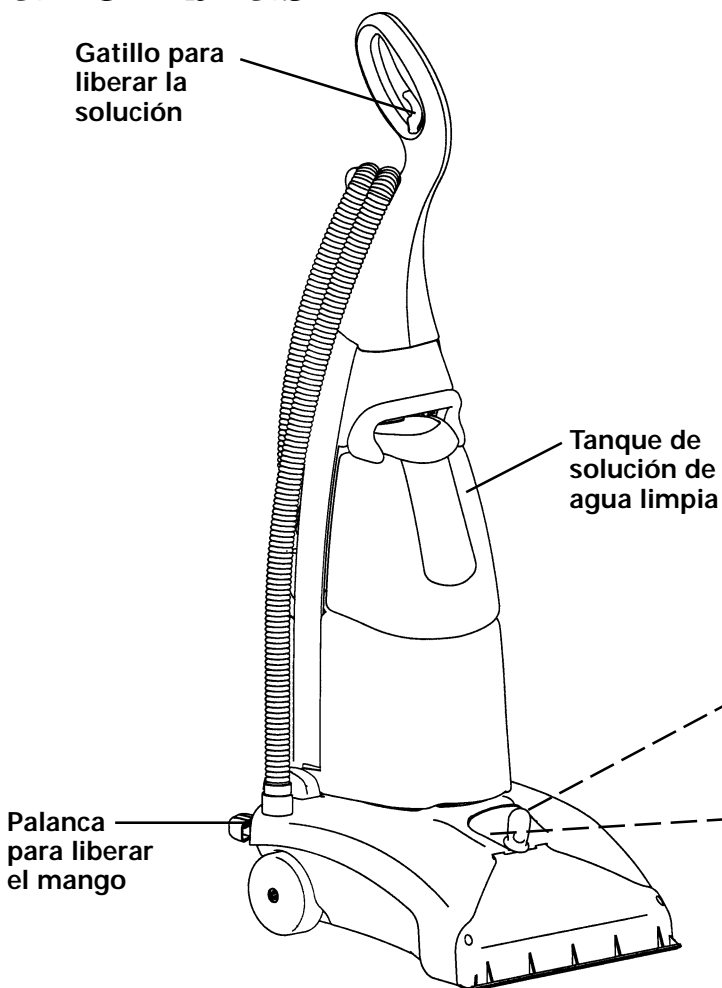
Tanque de recuperación



## Corte automático

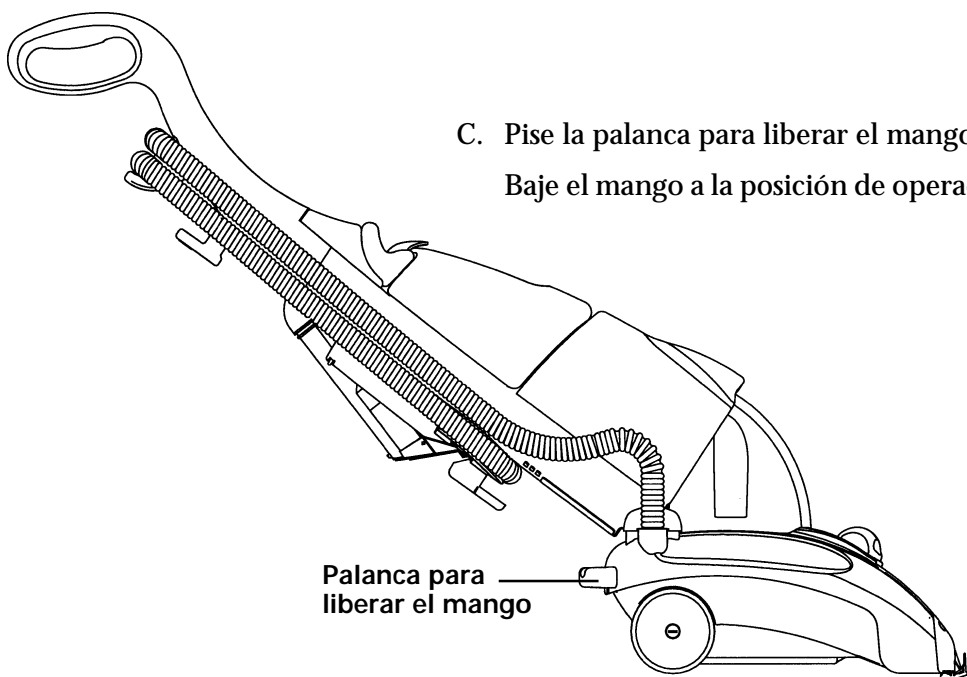
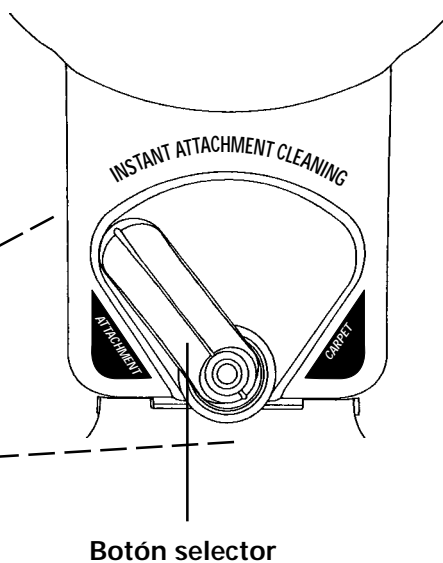
Cuando el tanque de recuperación está lleno de líquido, la succión se corta automáticamente. Esto puede detectarse por una diferencia muy evidente en el ruido del motor. Apague inmediatamente la máquina cuando esto sucede y vacíe el tanque de recuperación.

# Como usar la lavadora/extractora para alfombras



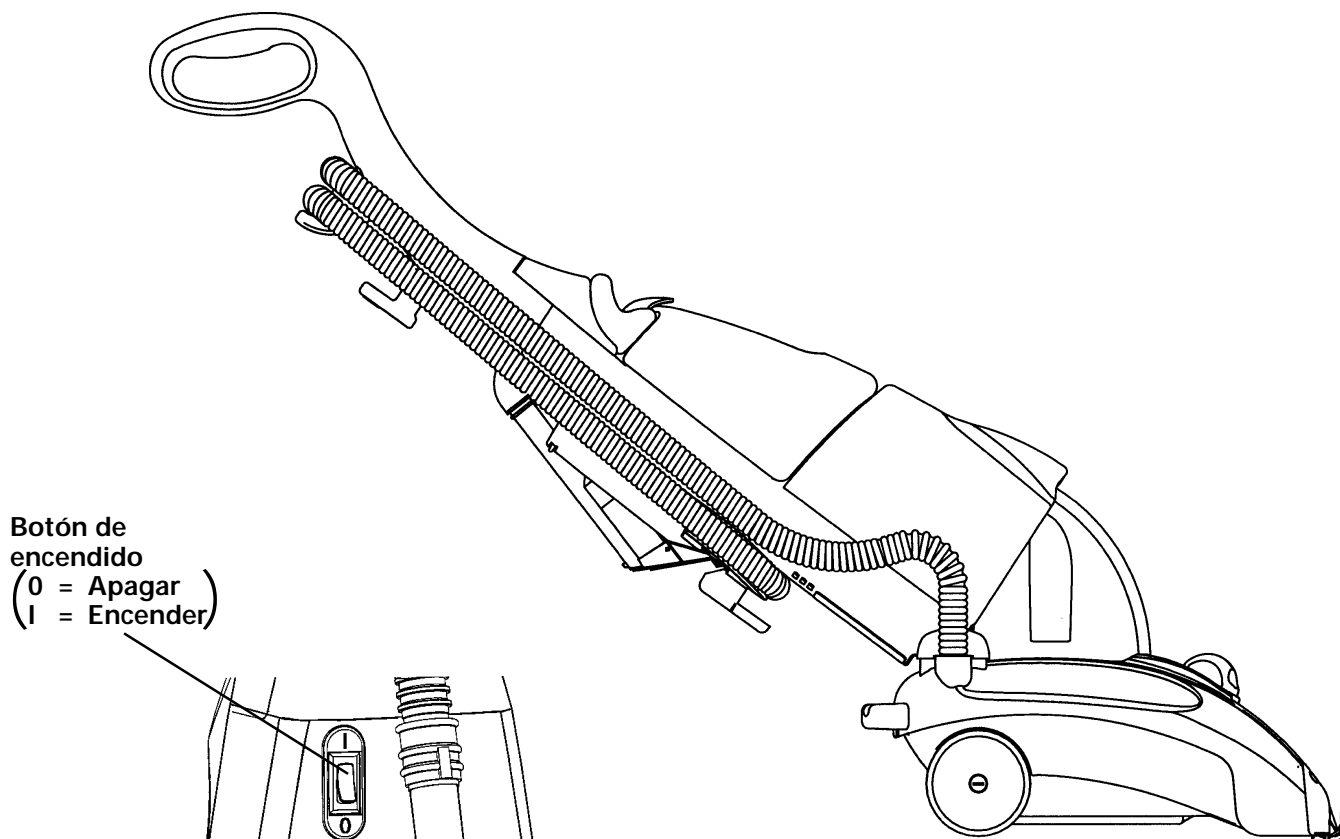
## Limpieza de alfombras

- Asegúrese de que el botón selector está en la posición Alfombra.
- Enchufe el cordón eléctrico a un toma corriente.

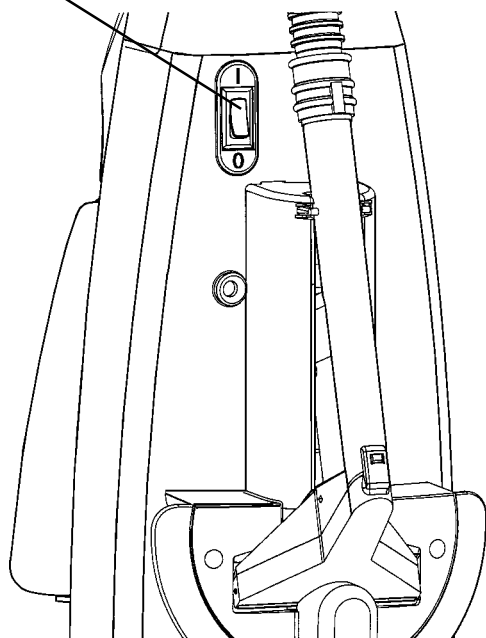


- Pise la palanca para liberar el mango.  
Baje el mango a la posición de operación.

# Operación de la lavadora/extractora para alfombras



Botón de encendido  
(0 = Apagar  
I = Encender)



**NOTA:** La lanilla de la alfombra, la cantidad y tipo de succiedad (polvo) recuerda que se aplique más o menos solución limpiadora para adquirir los niveles de limpieza deseados.

- D. Presione el interruptor de corriente para prenderla, el cual está ubicado en la parte trasera de la máquina.
- E. Jale hacia arriba y sostenga el gatillo para liberar la solución y haga dos aplicaciones pasando dos veces la máquina hacia adelante y luego hacia atrás a un paso moderado. Al desplazarse la boquilla sobre la alfombra, la solución limpiadora se va rociando sobre la alfombra. A la misma vez, la boquilla levanta el agua sucia y la pone en el tanque de recuperación. Es importante mover la lavadora/extractora para alfombras a un ritmo constante sobre cualquier superficie.
- F. Suelte el gatillo para detener el flujo de solución. **Evite mojar demasiado la alfombra.**
- G. Pase la máquina sobre la alfombra varias veces sin usar el gatillo. Repita este proceso hasta que poca o nada de agua sea nueva visiblemente por debajo de la cubierta clara de succión. Esto quita el exceso de agua y ayuda a que la alfombra se seque con más rapidez.
- H. Repita los pasos E, F y G en Areas muy sucias.

## Cómo transportar la lavadora/extractora para alfombras

Al llevar la lavadora/extractora para alfombras de un lugar a otro, asegúrese siempre de que el tanque de recuperación y el de solución de agua limpia están completamente vacíos. Luego incline la máquina levemente hacia atrás y hágala rodar sobre las ruedas traseras o use la manija para transportar para llevarla al subir y bajar las escaleras.

### Categorías de telas:

- M para limpiar en mojado.
- S-M para limpiar con solvente en seco o limpiar en mojado.
- S para limpiar con solvente en seco solamente. No moje para limpiar.

## *Como preparar la lavadora/extractora para limpiar tapizados y escalones*

Pase la aspiradora a los tapizados y escalones

**NOTA: Nunca use esta lavadora/extractora de alfombra como una aspiradora standard.**

Limpie los tapizados y escalones con un utensilio de la aspiradora. Use el utensilio para hendiduras para alcanzar lugares acolchados o rincones.

**IMPORTANTE: Limpiar algunas telas de tapizados con una solución limpiadora mojada puede dañar las telas. Conozca de qué está hecha la tela y cómo limpiarla antes de usar una solución limpiadora en telas de tapicería.**

La mayoría de los fabricantes codifican sus telas según los métodos que deben ser usados para limpiarlas. Algunas telas muy delicadas e inusuales deben ser LIMPIADAS EN SECO únicamente. Si tiene dudas sobre el tipo de tela, llame a un distribuidor o lleve un cojín o funda del brazo de un sillón a un distribuidor para que le aconseje.

Revise el material del relleno si es posible

Mire dentro de los cojines o del lado de abajo. Si el relleno es de color oscuro, puede desteñir la tela. La mayoría de los rellenos que son blancos a amarillo claro no desteñen y no desteñirían sobre la tela que los cubre.

Pruebe limpiar un lugar que no se ve

Asegúrese de limpiar como prueba un lugar que no se ve, varias horas antes de empezar a limpiar. Deje que el lugar de prueba se seque completamente. Inspecciónelo para determinar si hay cambio de color, si el relleno se ha desteñado, si se ha estirado o encogido. Si tiene dudas, haga una prueba en otro lugar.

Pruebe antes para ver si los colores son firmes

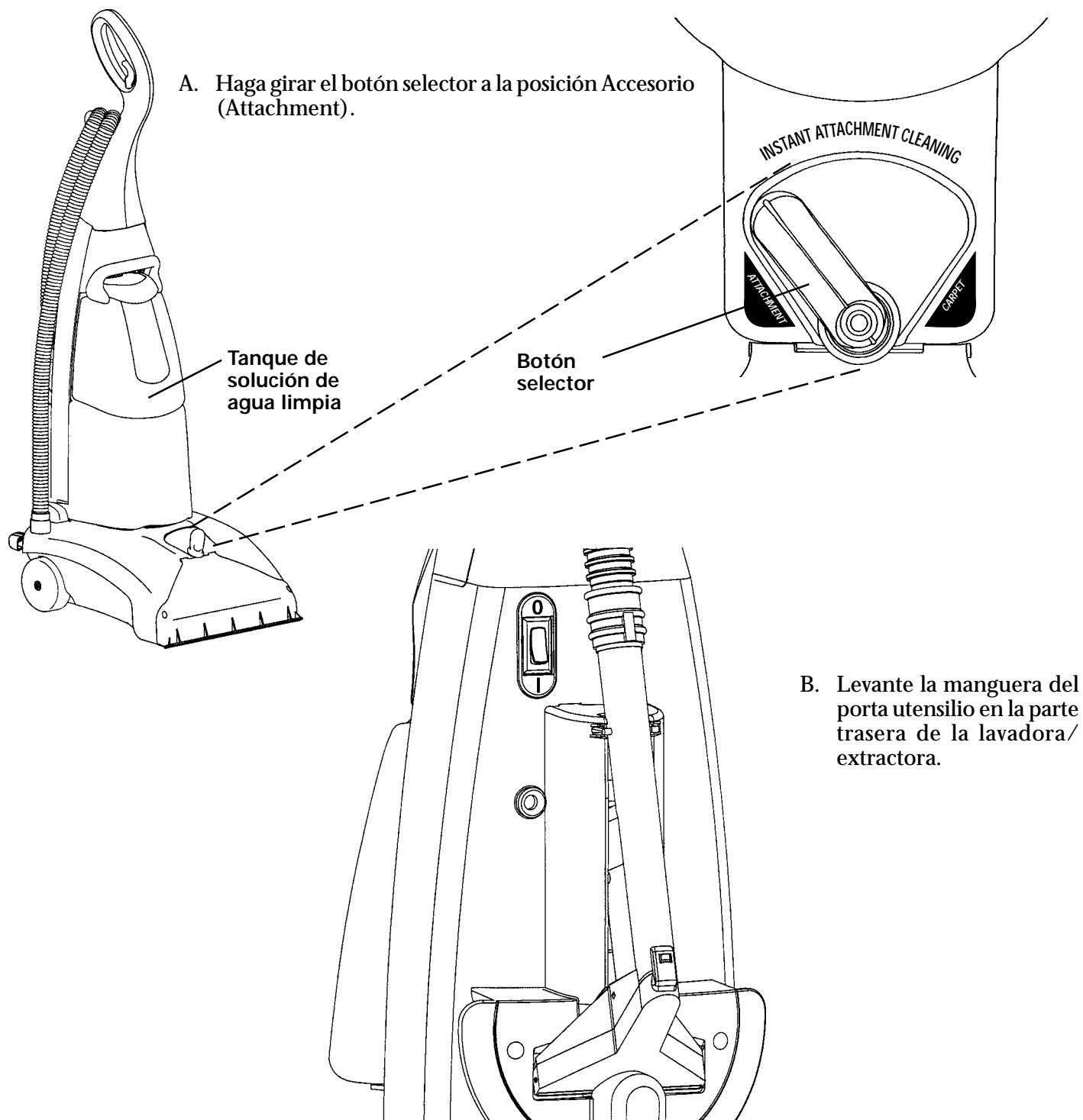
Antes de limpiar los tapizados, recomendamos hacer una prueba para ver si los colores son firmes. Humedezca una toalla blanca con la solución limpiadora. Haga la prueba en un Area pequeña de la parte trasera de un cojín. Frote suavemente la toalla sobre el área. Revise cada área para ver si se ha desteñado. Si la toalla no levanta nada de color, es seguro que puede usarse la solución limpiadora en toda el Area.



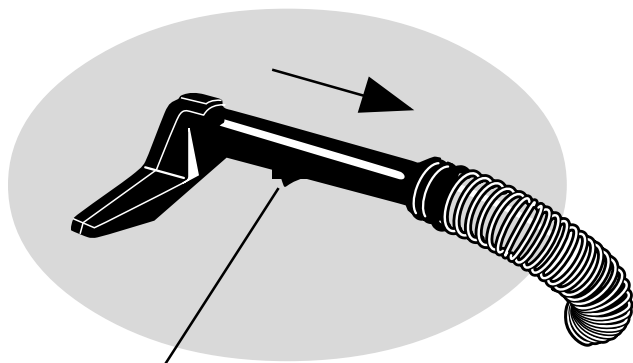
# Como usar la lavadora/extractora para limpiar tapizados o escalones

**NOTA:** Tenga especial precaución al limpiar escalones.

Para prevenir que se caiga la lavadora/extractora, no la coloque en la escalera. Se sugiere que se coloque a nivel del suelo para limpiar la porción inferior de las escaleras y que se coloque segura al final de la escalera para limpiar la porción superior de las escaleras.



# Como usar la lavadora/extractora para limpiar tapizados o escalones (continuación)



Gatillo para liberar la solución

- C. Coloque la boquilla para tapizado en la parte superior del Area a limpiar.
- D. Mueva el gatillo hacia arriba y sosténgalo para liberar la solución y jale la boquilla para atrás a un paso moderado.
- E. Suelte el gatillo al finalizar la pasada hacia atrás.
- F. Levante la boquilla y vuelva empezar en la parte superior. Aplique de una a tres pasadas rociando. **Evite mojar demasiado el área.**

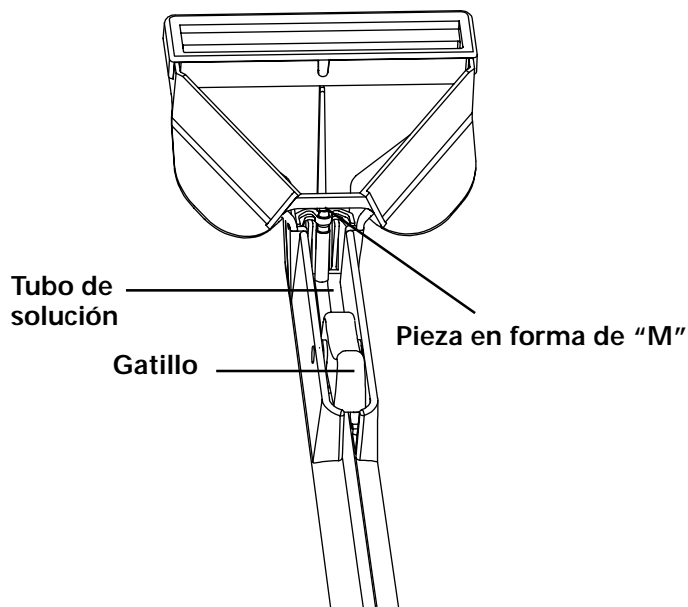
NOTA: Al desplazarse la boquilla sobre la superficie, la solución limpiadora rocía la superficie. A la misma vez, la boquilla levanta el agua sucia y la pone en el tanque de recuperación.

- G. Pase la boquilla sobre la superficie varias veces más sin sostener el gatillo. Esto quita el exceso de agua y ayuda a que la superficie se seque con más rapidez.
- H. El cepillo circular no gira cuando está en la posición Accesorio.

NOTA: Si la solución limpiadora y el agua no salen por la boquilla para tapizados/escalones, puede haber un bloqueo de aire. Con la máquina en la posición OFF (apagada), levante el mango del accesorio hacia arriba de su cabeza. Luego sostenga el gatillo del mango del accesorio durante 4 segundos. Prenda la máquina y siga rociando.

NOTA: Si se obstruye el filtro de la boquilla para tapizados/escalones:

- 1) Quite la pieza en forma de 'M' de la parte de abajo de la boquilla para tapizados/escalones (use un destornillador pequeño para aflojarla).
- 2) Quite y enjuague cualquier suciedad de la pieza en forma de 'M' poniéndolo bajo agua corriente.
- 3) Vuelva a colocar la pieza en forma de 'M' en el tubo de solución luego posición y trabe la pieza en su lugar.



# Como hacerle mantenimiento a la lavadora/extractora para alfombras

Las instrucciones en este manual son para usar como guía para el mantenimiento diario. Siga estas sugerencias para evitar llamadas innecesarias al servicio de reparaciones y partes.

Antes de guardar la lavadora/extractora para alfombras, sobre una superficie de linóleo o de vinilo ponga la máquina en la posición piso y use agua limpia (sin solución) para extraer todas las partículas que quedan en la lavadora/extractora para alfombras.

- Ponga agua limpia en el tanque de solución de agua limpia.
- Haga funcionar la máquina, moviendo hacia arriba el gatillo dispensador ubicado en el mango de la lavadora/extractora para alfombras.
- Active el gatillo durante 4 pasadas (2 hacia adelante y 2 hacia atrás).
- Luego, suelte el gatillo mientras hace funcionar la unidad con 4 pasadas o hasta que el piso esté seco.

En el caso de modelos con manguera como accesorio sobre una superficie de linóleo o vinilo, active el gatillo del mango del accesorio para hacer pasar agua limpia por la boquilla haciendo cuatro pasadas para atrás. Luego suelte el gatillo y haga otras pasadas para quitar la humedad. Esto quitará todas las partículas que se quedaran atrás.

## A. Mantenimiento del tanque de solución de agua limpia

**NOTA:** Apague el interruptor de corriente y desenchufe el cordón eléctrico antes de limpiarlo.

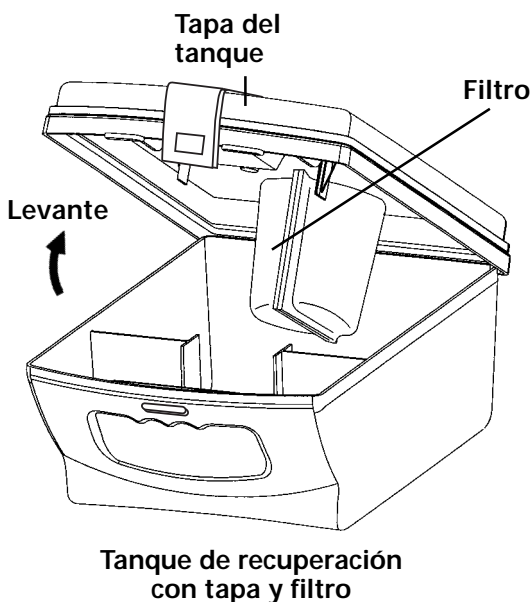
1. Saque el tanque de solución de agua limpia levantando el pestillo del tanque para soltar la solución de agua limpia.
2. Tome la manija para transportar a fin de quitar de la máquina lavadora/extractora el tanque de solución de agua limpia.
3. Vacíe del tanque de solución de agua limpia cualquier líquido que haya quedado.
4. Enjuague el tanque con agua corriente tibia.
5. Seque el tanque completamente al aire antes de guardarlo.
6. Coloque el tanque seco de vuelta en la máquina lavadora/extractora para alfombras asegurándose de que encaje bien en su lugar. Vea instrucciones más detalladas en la página 9.



## B. Mantenimiento del tanque de recuperación

**NOTA:** Apague el interruptor de corriente y desenchufe el cordón eléctrico antes de limpiarlo.

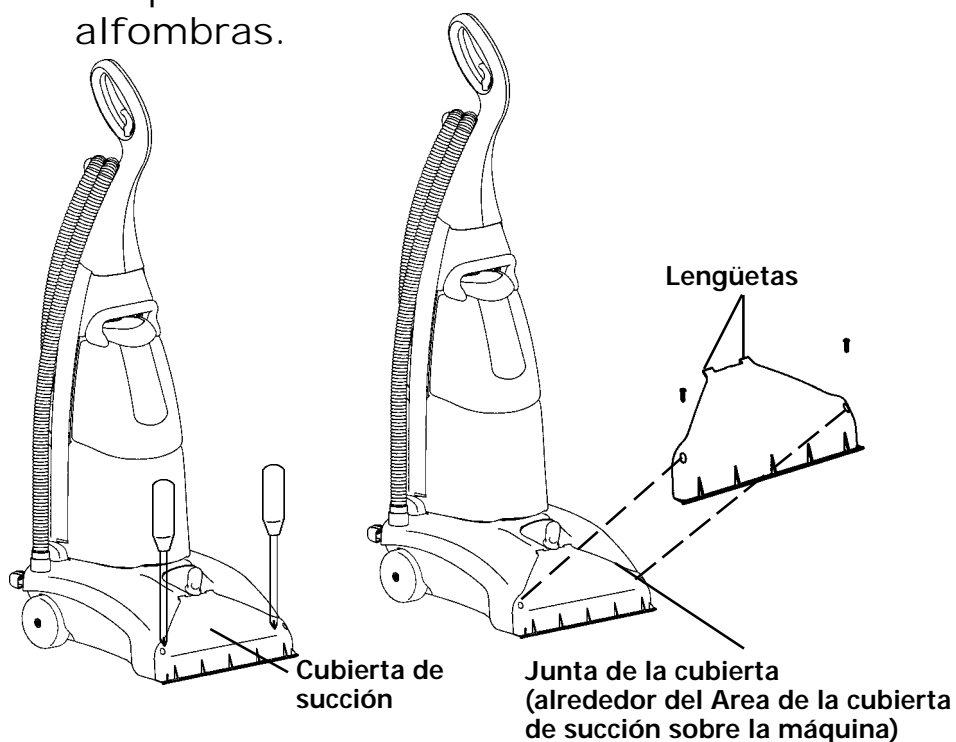
1. Saque el tanque de recuperación de la máquina lavadora/extractora presionando el pestillo del tanque de recuperación hacia abajo para soltarlo de la máquina.
2. Jale el tanque hacia afuera desde la porción inferior de la máquina lavadora/extractora para alfombras.
3. Levante y quite la tapa del tanque y vacíe el contenido en un drenaje de agua apropiado.
4. Limpie el tanque de recuperación y la tapa con jabón y agua. Además, enjuague el filtro con agua después de cada uso.
5. Seque el tanque completamente al aire libre antes de guardarlo.
6. Para volver a colocar el tanque de recuperación en la máquina, empuje del todo el tanque de recuperación seco dentro de la máquina lavadora/extractora hasta que el pestillo se trabe asegurando el tanque. Asegúrese de que el saliente en el pestillo está empujado del todo debajo del cuerpo de la lavadora/extractora para alfombras.



# Como Hacerle Mantenimiento

**NOTA:** Apague el interruptor de corriente y desenchufe el cordón eléctrico para limpiar las boquillas limpiadoras.

## C. Limpieza de la cubierta de succión de la lavadora/extractora para alfombras.



1. Saque los tornillos de cada lado, de la cubierta de succión.
2. Levante y quite la cubierta de succión y limpie la suciedad y pelusa del Area.
3. Vuelva a colocar la cubierta de succión deslizando las lengüetas que se encuentran sobre la cubierta de succión dentro de las ranuras en la parte superior de la tapa. Asegúrese de que la junta de la cubierta de succión está en su lugar sobre la máquina antes de colocar la tapa.
4. Alinee uno de los agujeros para tornillos en la cubierta de succión, en la tapa y en la base antes de asegurarlos con el tornillo. También complete este paso con el segundo agujero para tornillo.

## D. Limpieza del pistón de cierre hermético y filtro de la lavadora/extractora para alfombras.

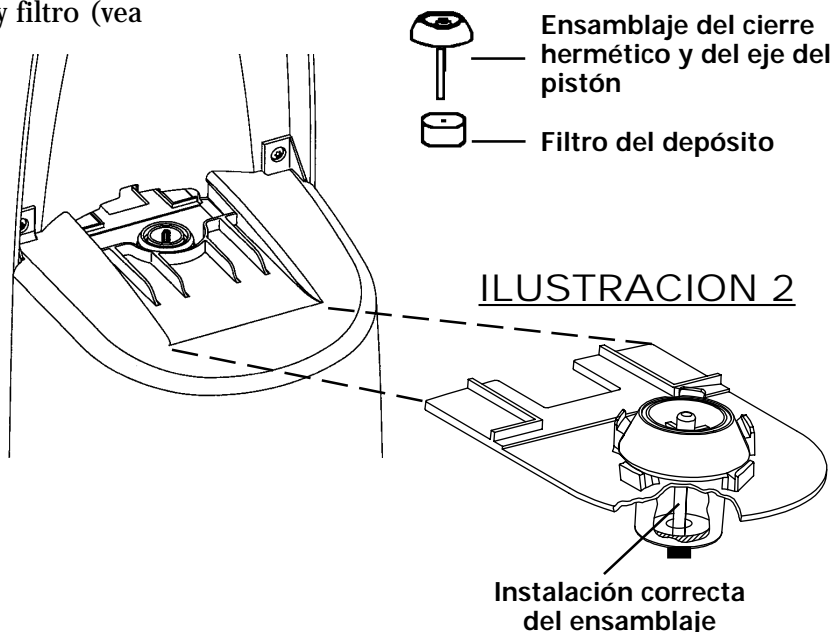
1. Quite el tanque de solución de agua limpia.
2. Quite el ensamblaje del pistón de cierre hermético y filtro levantando el cierre hermético. Esto quitará el ensamblaje del pistón de cierre hermético y filtro (vea la ilustración 1).
3. Quite el filtro del depósito y límpiolo quitándole cualquier suciedad y enjuagándolo con agua.
4. Vuelva a insertar el filtro sobre el eje del pistón y coloque el ensamblaje directamente dentro del depósito. Instale este ensamblaje dentro del depósito presionando hacia abajo la parte superior del pistón plástico. No presione hacia abajo el cierre hermético de goma.

**¡IMPORTANTE!** Asegúrese de que el eje del pistón está colocado dentro del agujero en el fondo del depósito para que quede asegurado (vea la ilustración 2).

5. Vuelva a colocar el tanque de solución de agua limpia en la máquina lavadora/extractora para alfombras.

### ILUSTRACION 1

#### Ensamblaje del pistón



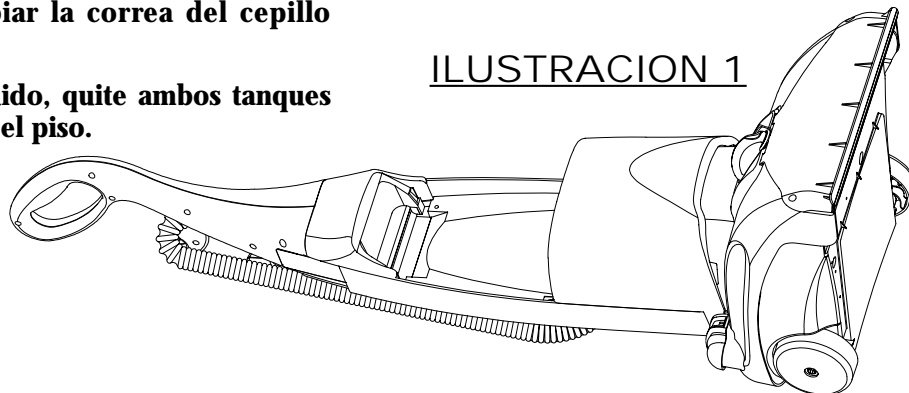
# Como Hacerle Mantenimiento

## E. Cómo cambiar la correa de la lavadora/extractora para alfombras

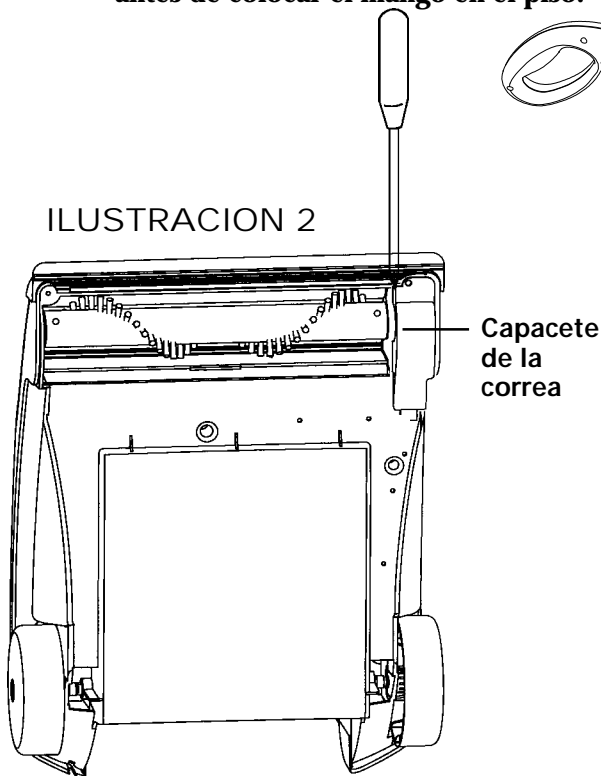
**NOTA:** Apague el interruptor de corriente y desenchufe el cordón eléctrico para cambiar la correa del cepillo circular.

**NOTA:** Si los tanques contienen liquido, quite ambos tanques antes de colocar el mango en el piso.

ILUSTRACION 1

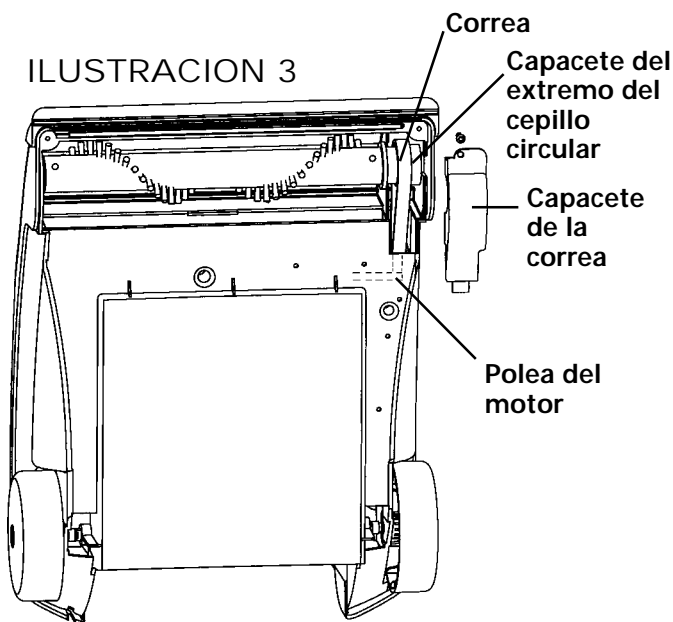


ILUSTRACION 2



1. Incline la máquina hacia atrás para colocar el mango sobre el piso (vea la ilustración 1).
2. Posicione en frente de la base de la máquina y quite el tornillo del costado derecho de la base (ilustración 2).
3. Levante y quite el capacete de la correa.
4. Levante y saque el cepillo circular y quite la correa gastada.
5. Apriete los costados de la correa nueva y colóquela alrededor de la polea del motor. Apretar la correa ayuda en la colocación de la correa sobre la polea.
6. Coloque el extremo del cepillo circular que tiene la polea dentro de la correa.
7. Alinee el capacete en los extremos del cepillo circular con las aberturas en la base.
8. Presione hacia abajo el cepillo circular para que quede asegurado (ilustración 3).
9. Haga girar el cepillo circular hasta que la correa está en su lugar.
10. Vuelva a colocar el capacete de la correa y asegúrelo con el tornillo.

ILUSTRACION 3



### Correa del cepillo circular ( para modelos con cepillo circular)

La correa del cepillo circular en la lavadora/extractora para alfombras hace que el cepillo agite, barra y peine la lanilla de la alfombra. Revise el cepillo regularmente para asegurarse de que está en buenas condiciones. Cambie la correa si se está estirando, resquebrajando o resbalando. Corte y quite cabellos o hilos enrollados alrededor del cepillo circular o de la polea de la correa porque dejar que se junten puede causar que la correa gire desparejo.

\* Al volver a instalar el cepillo circular, revise los capacetes de los extremos para asegurar una correcta alineación dentro de la base de la máquina. A veces los cuadrados de los capacetes de los extremos se descentran. Sosteniendo un extremo y haciendo girar el otro, se puede corregir el problema.

# RESOLVIENDO PROBLEMAS

NOTA: Apague el interruptor y desenchufe el cordón eléctrico antes de hacerle mantenimiento.

PROBLEMA	CAUSA	SOLUCIÓN
El motor no arranca	<input checked="" type="checkbox"/> Enchufe eléctrico <input checked="" type="checkbox"/> El interruptor de corriente no está prendido	<input type="checkbox"/> Empuje bien el enchufe dentro del toma corriente. <input type="checkbox"/> Pruebe otro toma corriente. <input type="checkbox"/> Revise el interruptor de circuito. <input type="checkbox"/> Asegúrese de que el interruptor de corriente este en la posición ON.
La solución limpiadora y el agua no salen por la boquilla para alfombras	<input checked="" type="checkbox"/> El tanque de solución de agua limpia está mal instalado <input checked="" type="checkbox"/> El área de la boquilla para alfombras está obstruida	<input type="checkbox"/> Asegúrese de que el tanque de solución de agua limpia esté bien trabado en su lugar. <input type="checkbox"/> Vuelva a llenar el tanque de solución de agua limpia con agua limpia y solución. <input type="checkbox"/> Quite la basura del área de la boquilla para alfombras <input type="checkbox"/> Revise el ensamblaje del pistón de cierre hermético y el filtro (vea p. 16)
La solución limpiadora y el agua no salen por la boquilla para trapizados/escalones	<input checked="" type="checkbox"/> Bloqueo de aire <input checked="" type="checkbox"/> Nivel bajo de solución de agua en el tanque de solución de agua limpia <input checked="" type="checkbox"/> Obstrucción en la boquilla para tapizados/escalones <input checked="" type="checkbox"/> Obstrucción en la tubería de la boquilla para tapizados/escalones <input checked="" type="checkbox"/> El ensamblaje del pistón de cierre hermético y filtro no está en su posición correcta	<input type="checkbox"/> Con la máquina en la posición OFF (apagada), levante el mango del accesorio más arriba de su cabeza. Luego sostenga el gatillo del mango de accesorio durante 4 segundos. Prenda la máquina y siga rociando. <input type="checkbox"/> Revise el nivel de agua en el tanque de solución de agua limpia y vuelva a llenarlo. <input type="checkbox"/> Limpie la suciedad de la boquilla para tapizados/escalones. <input type="checkbox"/> Quite la pieza en forma de "M" de la parte inferior de la boquilla para tapizados/escalones, luego quite, enjuague y vuelva a colocar el filtro dentro del tubo de solución (vea la p. 14). <input type="checkbox"/> Revise el ensamblaje del pistón de cierre hermético y filtro (vea la p. 16).
No levanta de la alfombra la succión limpiadora y el agua	<input checked="" type="checkbox"/> El tanque de recuperación está lleno <input checked="" type="checkbox"/> El tanque de recuperación no está totalmente instalado <input checked="" type="checkbox"/> El botón selector no esta en la posición Alfombra	<input type="checkbox"/> Vacíe el tanque de recuperación. Vuelva a colocar la tapa y a colocarla en la máquina. Siga limpiando. <input type="checkbox"/> Puede haber un exceso de espuma en el tanque de recuperación. Use la proporción correcta de solución limpiadora y agua (0,118 litros [4 onzas] de solución limpiadora por 2,79 litros [1 galón] de agua.) Vacíe el tanque de recuperación, luego limpie o cambie el filtro. <input type="checkbox"/> Asegúrese de que el tanque de recuperación esté totalmente trabado en posición <input type="checkbox"/> Asegúrese de que el botón selector esté en la posición Alfombra.
No limpia la alfombra	<input checked="" type="checkbox"/> Correa <input checked="" type="checkbox"/> Cepillo circular <input checked="" type="checkbox"/> Se está usando una solución limpiadora incorrecta <input checked="" type="checkbox"/> El botón selector no está en la posición Alfombra	<input type="checkbox"/> Cambie la correa si está cortada, suelta o deformada (vea la p. 17) <input type="checkbox"/> Quite el capicete de la correa y saque hilos y suciedad de las cerdas y el área del cepillo circular. Cambie el cepillo circular si las cerdas están gastadas. <input type="checkbox"/> Use la Solución Limpiadora para Alfombras/Tapizados Genuina de Eureka. <input type="checkbox"/> Asegúrese de que el botón selector esté en la posición Alfombra.
El tanque de solución limpia pierde solución antes de activar el gatillo del mango o el gatillo de la boquilla para tapizados	<input checked="" type="checkbox"/> El ensamblaje del pistón de cierre hermético y filtro no está en posición correcta	<input type="checkbox"/> Saque el tanque de solución de agua limpia y revise el ensamblaje del agua de pistón de cierre hermético y filtro quitándolo y volviendo a instalarlo en el depósito presionando hacia abajo la parte superior del pistón plástico. No presione hacia abajo el cierre hermético de goma.
Succión mínima en el extremo de la manguera	<input checked="" type="checkbox"/> El botón selector no está en la posición Accesorio <input checked="" type="checkbox"/> La boquilla para tapizados/escalones esta obstruida <input checked="" type="checkbox"/> El tanque de recuperación no esta totalmente instalado	<input type="checkbox"/> Asegúrese de que el botón selector esté en la posición Accesorio. <input type="checkbox"/> Quite cualquier obstrucción visible de la boquilla que impide el paso del aire. <input type="checkbox"/> Active el gatillo de la boquilla para tapizados/escalones y lave con agua limpia mientras la máquina esta en la posición Accesorio (vea la p. 14). <input type="checkbox"/> Asegúrese de que el tanque de recuperación esté en una posición bien trabada.
Aparece agua encima del tanque de recuperación	<input checked="" type="checkbox"/> El ensamblaje del pistón de cierre hermético y filtro no está correctamente instalado	<input type="checkbox"/> Saque el tanque de solución de agua limpia y revise el ensamblaje del pistón de cierre hermético y filtro quitándolo y volviendo a instalarlo en el depósito presionando hacia abajo la parte superior del pistón. No presione hacia abajo el cierre hermético de goma.
La succión se corta prematuramente	<input checked="" type="checkbox"/> Exceso de espuma en el tanque de recuperación <input checked="" type="checkbox"/> No se está usando la Solución correcta Limpiadora para Alfombras	<input type="checkbox"/> Use la proporción correcta de solución limpiadora y agua: (0,118 litros de solución limpiadora por 3,79 litros de agua.) Vacíe el tanque de recuperación, luego limpie o cambie el filtro. <input type="checkbox"/> Use la Solución Limpiadora para Alfombras/Tapizados Genuina de Eureka.
Faltan partes		<input type="checkbox"/> Llame al 1-877-207-0923 para asistencia del consumidor.
Preguntas		<input type="checkbox"/> Llame al 1-877-207-0923 para asistencia del consumidor.

# Ayuda al cliente

Si tiene usted un reclamo bajo esta garantía, por favor llame a nuestro número de ayuda al cliente. Para obtener un servicio más rápido, por favor tenga a mano el número del modelo, de serie y de tipo para que el operador le asista. Estos números se encuentran en la placa de datos en la parte de abajo de su aspiradora.

MODELO: \_\_\_\_\_ TIPO: \_\_\_\_\_ SERIE: \_\_\_\_\_

Número telefónico de ayuda al cliente: 1-877-207-0923; Canadá: 1-877-556-0973

¡Guarde este número para futura referencia!

Consultas por correo electrónico [www.wal-mart.com](http://www.wal-mart.com)

## Garantía Limitada de Dos Años

### ¿Qué cubre su garantía?

- Cualquier defecto de materiales o mano de obra.

### ¿Durante cuánto tiempo después de la compra original?

- Dos años.

### ¿Qué haremos nosotros?

- Le proporcionaremos una aspiradora nueva.
- La aspiradora que reemplaza a la primera tiene garantía por el resto del periodo de dos años de la garantía original.

### ¿Cómo hace usted un reclamo bajo garantía?

- Empaquete adecuadamente su aspiradora. Recomendamos usar la caja y los materiales de empaque originales.
- Incluya en el paquete una copia del recibo de venta u otra evidencia de la fecha de la compra original. Si la aspiradora fue un obsequio, proporcione una declaración especificando la fecha cuando la recibió. También escriba con letra de imprenta su nombre y dirección y una descripción del defecto.
- Devuelva el producto a la tienda WAL-MART más cercana a su domicilio.
- Una aspiradora nueva le será proporcionada.

### ¿Qué no cubre su garantía?

- Correas, filtros y focos de luz.
- Uso comercial o cualquier otro uso que no se incluyen en las instrucciones impresas.
- Daños por mal uso, abuso o negligencia.
- Productos adquiridos o reparados fuera de los Estados Unidos.

### ¿Cómo se relacionan las leyes estatales a esta garantía?

- Esta garantía le brinda derechos legales específicos, y es posible que tenga otros derechos que varían de un estado a otro.
- WAL-MART expresamente descarga toda responsabilidad por daños emergentes o pérdidas imprevistas causados por el uso de este artefacto. Algunos estados no aceptan la exclusión o limitación de pérdidas emergentes o imprevistas por lo que es posible que el descargo de responsabilidad no se aplique a usted.

### ¿Qué pasa si compró este producto en los Estados Unidos y tiene un problema mientras lo usa fuera de los Estados Unidos?

- La garantía es válida únicamente si sigue el procedimiento de reclamo descrito aquí...el producto tiene que ser devuelto a nuestro "U.S. Exchange Center".

En el caso de productos adquiridos fuera de los Estados Unidos y Canadá, consulte al distribuidor con respecto a la garantía.

WAL-MART Stores, Inc.

Bentonville, AR 72716

## Free Manuals Download Website

<http://myh66.com>

<http://usermanuals.us>

<http://www.somanuals.com>

<http://www.4manuals.cc>

<http://www.manual-lib.com>

<http://www.404manual.com>

<http://www.luxmanual.com>

<http://aubethermostatmanual.com>

Golf course search by state

<http://golfingnear.com>

Email search by domain

<http://emailbydomain.com>

Auto manuals search

<http://auto.somanuals.com>

TV manuals search

<http://tv.somanuals.com>