

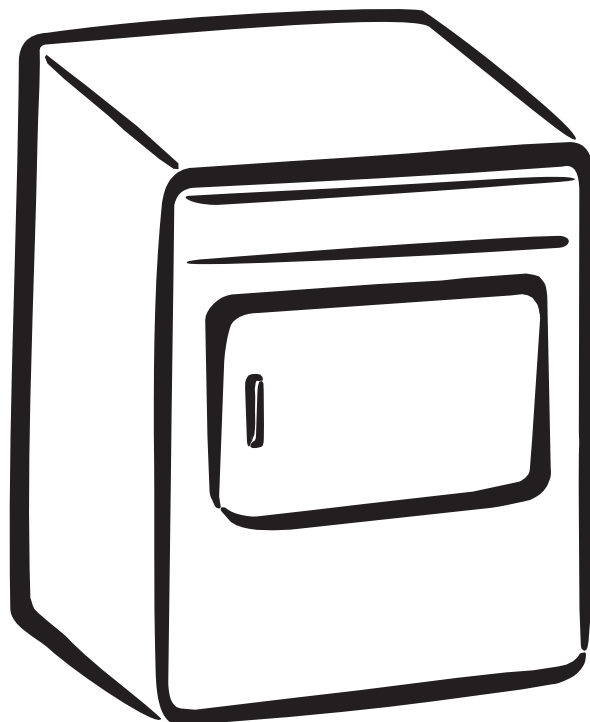


## **Coin- Operated Commercial Dryer**

Installation Instructions and  
Use and Care Guide

## **Machine À Laver Par Culbutage Commerciale à encaissement automatique**

Instructions d'installation et  
Guide d'utilisation et d'entretien



## Contents

<b>SUBJECT</b>	<b>PAGE</b>
Pre-Installation Requirements.....	3
Electrical Requirements.....	3
Exhaust System Requirements.....	3-4
Gas Supply Requirements.....	4
Rough-In Dimensions.....	5
Unpacking.....	5
Reversing Door Swing.....	5
Location of Your Dryer.....	6
Electrical Installation.....	7
Grounding Requirements.....	7
Electrical Connections—3-wire.....	8
Electrical Connections—4-wire.....	8
Installation.....	9
Lint Blade Retaining Pin Location.....	9
Meter case instructions.....	9-12
Replacement Parts.....	12
Parts lists.....	13-15
Consumer support.....	16-17
Français.....	18-32

## Product Record

For GE warranty information or to contact a GE Service Center, call:

**1-800-GE CARES or [www.GEAppliances.com](http://www.GEAppliances.com).**

**In Canada call:**

**1-800-561-3344 or [www.geappliances.ca](http://www.geappliances.ca).**

**If you need SERVICE or PARTS for your GE coin-operated dryer:** be ready to give the model number, serial number and date of purchase. Record below.

**Model number** \_\_\_\_\_

**Serial number** \_\_\_\_\_

**Purchase date** \_\_\_\_\_

**Record Coin Box**

**Key Number** \_\_\_\_\_

Key number is on key and/or coin box.

## DRYER SAFETY

***Clothes dryer installation and service must be performed by a qualified installer, service agency or the gas supplier. Install the clothes dryer according to the manufacturer's instructions and local codes.***


***Before beginning installation, carefully read these instructions. This will simplify the installation and ensure the dryer is installed correctly and safely. Leave these instructions near the Dryer after installation for future reference.***

***NOTE: The electrical service to the Dryer must conform with local codes and ordinances and the latest edition of the National Electrical Code, ANSI/NFPA 70.***

***NOTE: The gas service to the Dryer must conform with local codes and ordinances and the latest edition of the National Fuel Gas Code ANSI Z223.1.***

***NOTE: The Dryer is designed under ANSI Z 21.5.1 - for HOME USE only. This Dryer is not recommended for commercial applications such as restaurants or beauty salons, etc.***


Your safety and the safety of others is very important. We have provided many important safety messages in the Installation Instructions / Use & Care Guide and on your appliance. Always read and obey all safety messages.

 This is the safety alert symbol. This symbol alerts you to hazards that can kill or hurt you or others. All safety messages will be preceded by the safety alert symbol and the word "DANGER" or "WARNING". These words mean:

 **DANGER** You can be killed or seriously injured if you don't immediately follow instructions.

 **WARNING** You can be killed or seriously injured if you don't follow instructions.

All safety messages will identify the hazard, tell you how to reduce the chance of injury, and tell you what can happen if the instructions are not followed.

 **WARNING Risk OF FIRE.** For your safety the information in this manual must be followed to minimize the risk of fire or explosion or to prevent property damage, personal injury or loss of life. SAVE THESE INSTRUCTIONS.

- Do not store or use gasoline or other flammable vapors and liquid in the vicinity of this or any other appliance.

### **- WHAT TO DO IF YOU SMELL GAS**

- Do not try to light any appliance.
- Do not touch any electrical switch; do not use any phone in your building.
- Clear the room, building or area of all occupants.
- Immediately call your gas supplier from a neighbor's phone. Follow the gas supplier's instructions.
- If you cannot reach your gas supplier, call the fire department.

Installations must be performed by a qualified or licensed contractor, plumber, or gasfitter qualified or licensed by the state, province, or region where this appliance is being installed.

## PRE-INSTALLATION REQUIREMENTS

### Tools and Materials Required for Installation:

1. Phillips head screwdriver.
2. Channel-lock adjustable pliers.
3. Carpenter's level.
4. Flat or straight blade screwdriver.
5. Duct tape.
6. Rigid or flexible metal 4 inch (10.2 cm) duct.
7. Vent hood.
8. Pipe thread sealer (Gas).
9. Plastic knife.

## ELECTRICAL REQUIREMENTS

### ELECTRIC Dryer

**CIRCUIT** - Individual 30 amp. branch circuit fused with 30 amp. time delay fuses or circuit breakers.

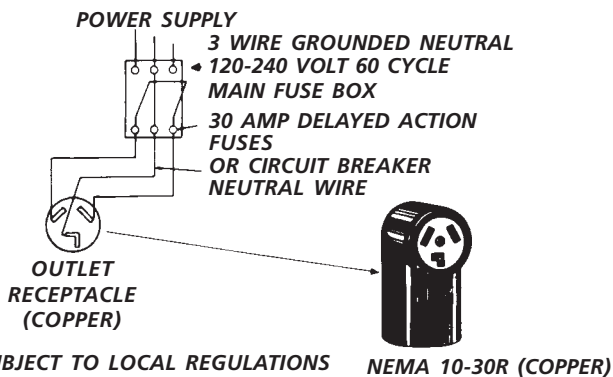
Use separately fused circuits for washers and dryers, and **DO NOT** operate a washer and a dryer on the same circuit.

**POWER SUPPLY** - 3 wire, 240 volt, single phase, 60 Hz, Alternating Current.

**POWER SUPPLY CORD KIT** - The dryer **MUST** employ a 3-conductor power supply cord NEMA 10-30 type SRDT rated at 240 volt AC minimum, 30 amp., with 3 open end spade lug connectors with upturned ends or closed loop connectors and marked for use with clothes dryers. If being installed in a new branch circuit installation, manufactured (mobile) home, recreational vehicle or area which prohibits grounding through the neutral conductor, the dryer **MUST** employ a 4-conductor power supply cord NEMA 14-30 type SRDT or ST (as required) rated at 240 volt AC minimum, 30 amp., with 4 open end spade lug connectors with upturned ends or closed loop connectors and marked for use with clothes dryers. See ELECTRICAL CONNECTIONS FOR A 4-WIRE SYSTEM.

**OUTLET RECEPTACLE** - NEMA 10-30R or 14-30R receptacle to be located so the power supply cord is accessible when the dryer is in the installed position.

### Typical 3-wire installation



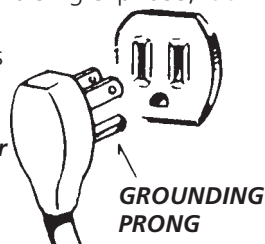
### GAS Dryer

**CIRCUIT** - Individual 15 amp. branch circuit fused with a 15 amp. maximum time delay fuse or circuit breaker.

**POWER SUPPLY** - 3 wire, 120 volt single phase, 60 Hz, Alternating Current.

**POWER SUPPLY CORD** - The dryer is equipped with a 120 volt 3-wire power cord.

**NOTE:** Do not under any circumstances remove grounding prong from plug.

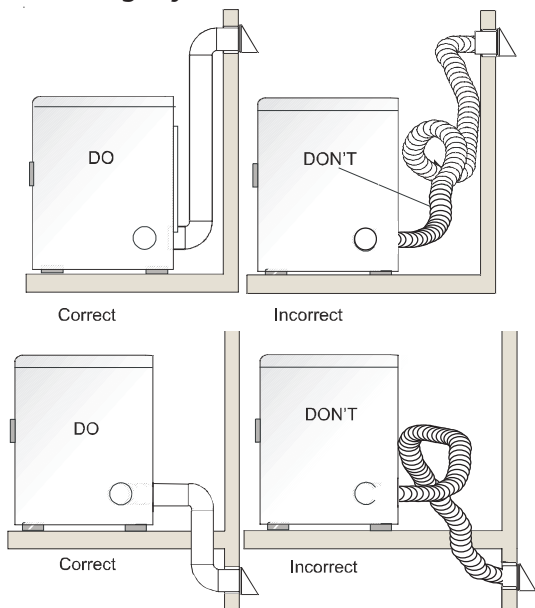


## EXHAUST SYSTEM REQUIREMENTS

Use only 4 inch (10.2 cm) diameter (minimum) rigid or flexible metal duct and approved vent hood which has a swing-out damper(s) that open when the dryer is in operation. When the dryer stops, the dampers automatically close to prevent drafts and the entrance of insects and rodents. To avoid restricting the outlet, maintain a minimum of 12 inches (30.5 cm) clearance between the vent hood and the ground or any other obstruction.

**⚠ WARNING** The following are specific requirements for proper and safe operation of your dryer. Failure to follow these instructions can create excessive drying times and fire hazards.

**⚠ Do not install a clothes dryer with flexible plastic venting materials.** If your present system is made up of plastic duct or metal foil duct, **replace it** with a rigid or flexible metal duct. In Canada and the United States if metal (foil type) duct is installed, it must be of a specific type identified by the appliance manufacturer as suitable for use with clothes dryers and in the United States must also comply with the Outline for Clothes Dryer Transition Duct, UL standard 2158A. Flexible venting materials are known to collapse, be easily crushed and trap lint. These conditions will obstruct clothes dryer airflow and increase the **risk of fire**. **Ensure the present duct is free of any lint prior to installing dryer duct.**



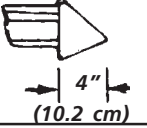
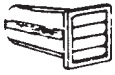
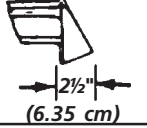
**⚠ - Risk of Fire - A clothes dryer must be exhausted outdoors.** Do not exhaust dryer into a chimney, a wall, a ceiling, an attic, a crawl space or any concealed space of a building. A clothes dryer produces combustible lint. If the dryer is not exhausted outdoors, some fine lint will be expelled into the laundry area. An accumulation of lint in any area of the home can create a health and fire hazard. **The dryer must be connected to an exhaust outdoors.** Regularly inspect the outdoor exhaust opening and remove any accumulation of lint around the outdoor exhaust opening and in the surrounding area.

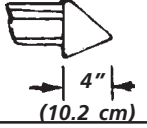
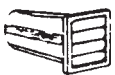
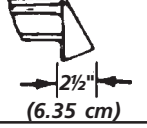
**⚠ Do not allow combustible materials (for example: clothing, draperies/curtains, paper) to come in contact with exhaust system.**

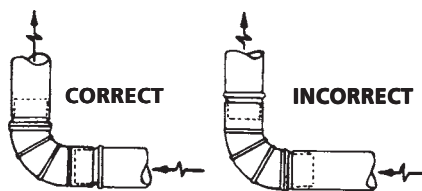
**⚠ Exceeding the length of duct pipe or number of elbows allowed in the "MAXIMUM LENGTH" charts can cause an accumulation of lint in the exhaust system. Plugging the system could create a fire hazard, as well as increase drying times.**

**⚠ Do not screen the exhaust ends of the vent system, nor use any screws, rivets or other fastening means that extend into the duct and catch lint to assemble the exhaust system.** Lint can become caught in the screen, on the screws or rivets, clogging the duct work and creating a fire hazard as well as increasing drying times. Use an approved vent hood to terminate the duct outdoors, and seal all joints with duct tape. All male duct pipe fittings **MUST** be installed downstream with the flow of air.

**⚠ WARNING Explosion hazard.** Do not install the dryer where gasoline or other flammables are kept or stored. If the dryer is installed in a garage, it must be a minimum of 18 inches (45.7 cm) above the floor. Failure to do so can result in death, explosion, fire or burns.

<b>MAXIMUM LENGTH of 4" (10.2 cm) Dia. Rigid Metal Duct</b>			
<b>VENT HOOD TYPE (Preferred)</b>			
<b>Number of 90° Turns</b>			
	4" (10.2 cm)	Louvered	2 1/2" (6.35 cm)
0	60 ft. (18.28 m)		48 ft. (14.63 m)
1	52 ft. (15.84 m)		40 ft. (12.19 m)
2	44 ft. (13.41 m)		32 ft. (9.75 m)
3	32 ft. (9.75 m)		24 ft. (7.31 m)
4	28 ft. (8.53 m)		16 ft. (4.87 m)

<b>MAXIMUM LENGTH of 4" (10.2 cm) Dia. Flexible Metal Duct</b>			
<b>VENT HOOD TYPE (Preferred)</b>			
<b>Number of 90° Turns</b>			
	4" (10.2 cm)	Louvered	2 1/2" (6.35 cm)
0	30 ft. (9.14 m)		18 ft. (5.49 m)
1	22 ft. (6.71 m)		14 ft. (4.27 m)
2	14 ft. (4.27 m)		10 ft. (3.05 m)
3	NOT RECOMMENDED		



**INSTALL MALE FITTINGS IN CORRECT DIRECTION**

In installations where the exhaust system is not described in the charts, the following method must be used to determine if the exhaust system is acceptable:

1. Connect an inclined or digital manometer between the dryer and the point the exhaust connects to the dryer.
2. Set the dryer timer and temperature to air fluff (cool down) and start the dryer.
3. Read the measurement on the manometer.
4. The system back pressure **MUST NOT** be higher than 0.75 inches of water column.

If the system back pressure is less than 0.75 inches of water column, the system is acceptable. If the manometer reading is higher than 0.75 inches of water column, the system is too restrictive and the installation is unacceptable.

Although vertical orientation of the exhaust system is acceptable, certain extenuating circumstances could affect the performance of the dryer:

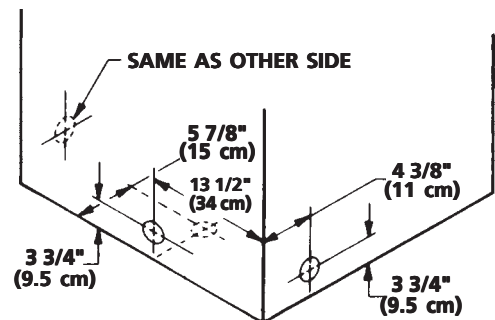
- Only the rigid metal duct work should be used.
- Venting vertical through a roof may expose the exhaust system to down drafts causing an increase in vent restriction.
- Running the exhaust system through an uninsulated area may cause condensation and faster accumulation of lint.
- Compression or crimping of the exhaust system will cause an increase in vent restriction.

The exhaust system should be inspected and cleaned a minimum of **every 6 months** with normal usage. The more the dryer is used, the more often you should check the exhaust system and vent hood for proper operation.

**EXHAUST DIRECTION**

All dryers shipped from the factory are set up for rear exhausting. However, on electric dryers, exhausting can be to the right or left side of the cabinet or the bottom of the dryer. On gas dryers exhausting can be to the right side of the cabinet or the bottom of the dryer. Directional exhausting can be accomplished by installing Exhaust Kit, P/N 131456800, available through your parts distributor. Follow the instructions supplied with the kit.

**EXHAUST DUCT LOCATING DIMENSIONS**



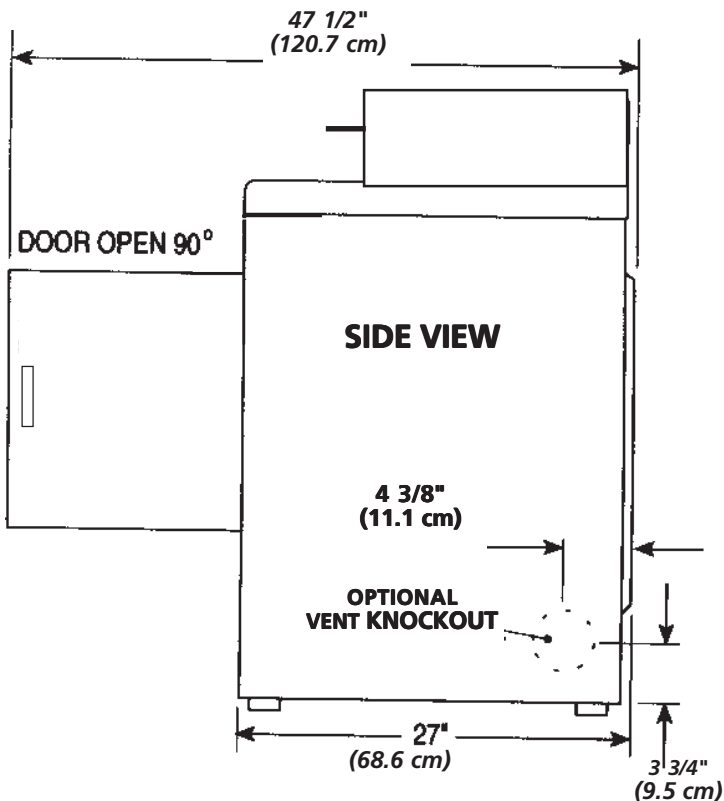
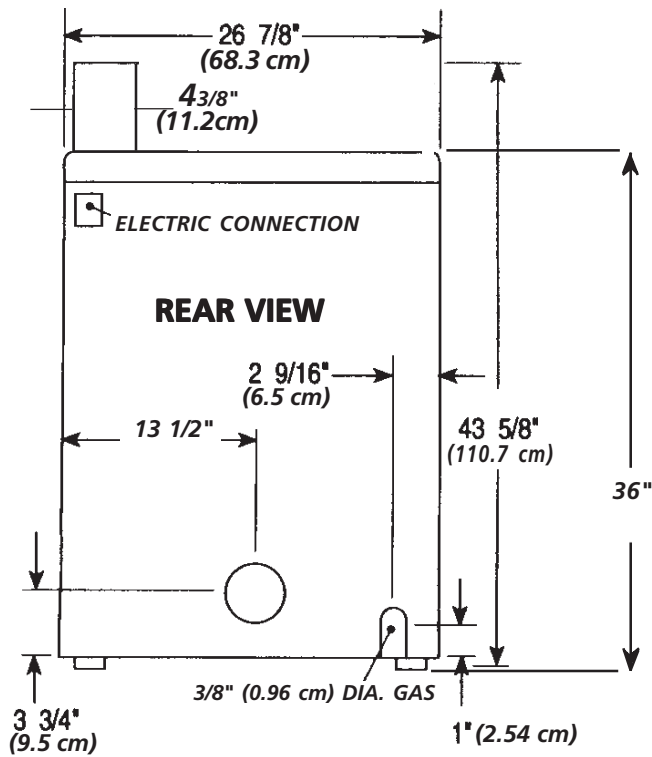
**GAS SUPPLY REQUIREMENTS**

**⚠ WARNING** Replace copper connecting pipe that is not plastic-coated. Stainless steel or plastic-coated brass **MUST** be used.

**Note:** See rough-in dimensions on the following page (Figure 1).

1. Installation **MUST** conform with local codes, or in the absence of local codes, with the National Fuel Gas Code, ANSI Z223.1 (latest edition).
2. The gas supply line should be of 1/2 inch (1.27 cm) pipe.
3. If codes allow, flexible metal tubing may be used to connect your dryer to the gas supply line. The tubing **MUST** be constructed of stainless steel or plastic-coated brass.
4. The gas supply line **MUST** have an individual shutoff valve.
5. A 1/8 inch (0.32 cm) N.P.T. plugged tapping, accessible for test gauge connection, **MUST** be installed immediately upstream of the gas supply connection to the dryer.
6. The dryer **MUST** be disconnected from the gas supply piping system during any pressure testing of the gas supply piping system at test pressures in excess of 1/2 psig (3.45 kPa).
7. The dryer **MUST** be isolated from the gas supply piping system during any pressure testing of the gas supply piping system at test pressures equal to or less than 1/2 psig (3.45 kPa).

## ROUGH-IN DIMENSIONS



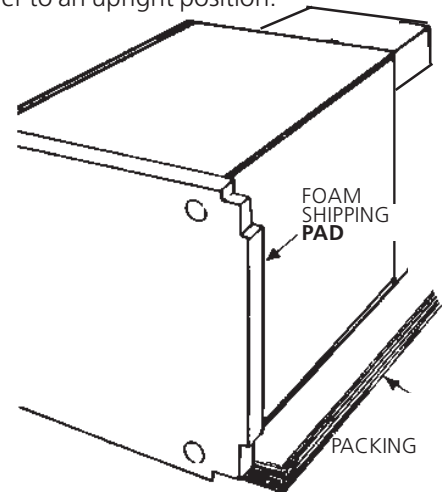
(Figure 1)

## UNPACKING

- Using the four shipping carton corner posts (two on each side), carefully lay the dryer on its left side and remove foam shipping base.

**CAUTION** To prevent damage, do not use the control panel or coin meter housing as a means to pick up or move the dryer.

- Return the dryer to an upright position.



## REVERSING DOOR SWING

Your dryer is designed so the door swing may be reversed at any time without additional parts. Conversion is accomplished by transferring hinges to the opposite side of the cabinet.

### To change the direction of the door opening:

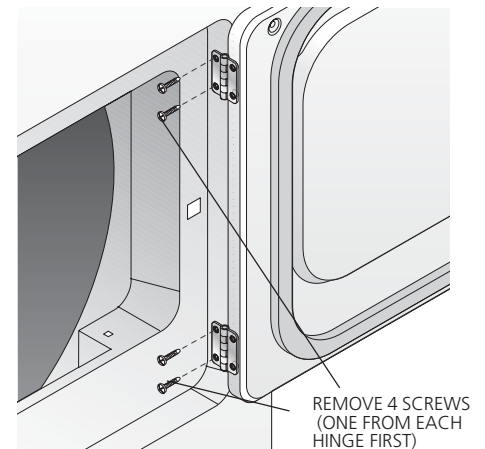
- Open the dryer door. Remove the four hinge hole plugs from the left side of the door opening. Place nearby for future installation.

**NOTE:** You may need a plastic knife to help pull out the plugs. Be careful not to scratch the paint.

- Remove the four screws that secure the door hinges to the dryer front panel (see below). **NOTE:** Remove one screw from each of the two hinges first. Hold the door firmly before removing the last two screws.

- Rotate the door 180° and reinstall the door hinges to the dryer front panel with the four screws.

- Install the four hinge hole plugs in the open screw holes on the right side of the door opening.





**DO NOT INSTALL YOUR DRYER:**

1. In an area exposed to dripping water or outside weather conditions.
2. In an area where it will come in contact with curtains, drapes, or anything that will obstruct the flow of combustion and ventilation air.
3. On carpet. Floor **MUST** be solid with a maximum slope of 1 inch (2.54 cm).

**INSTALLATION IN RECESS OR CLOSET**

1. A dryer installed in a bedroom, bathroom, recess or closet, **MUST** be exhausted outdoors.
2. No other fuel burning appliance shall be installed in the same closet as the Gas dryer.
3. Your dryer needs the space around it for proper ventilation.

**DO NOT INSTALL YOUR DRYER IN A CLOSET WITH A SOLID DOOR.**

4. A minimum of 120 square inches (774.2 square cm) of opening, equally divided at the top and bottom of the door, is required. Air openings are required to be unobstructed when a door is installed. A louvered door with equivalent air openings for the full length of the door is acceptable.

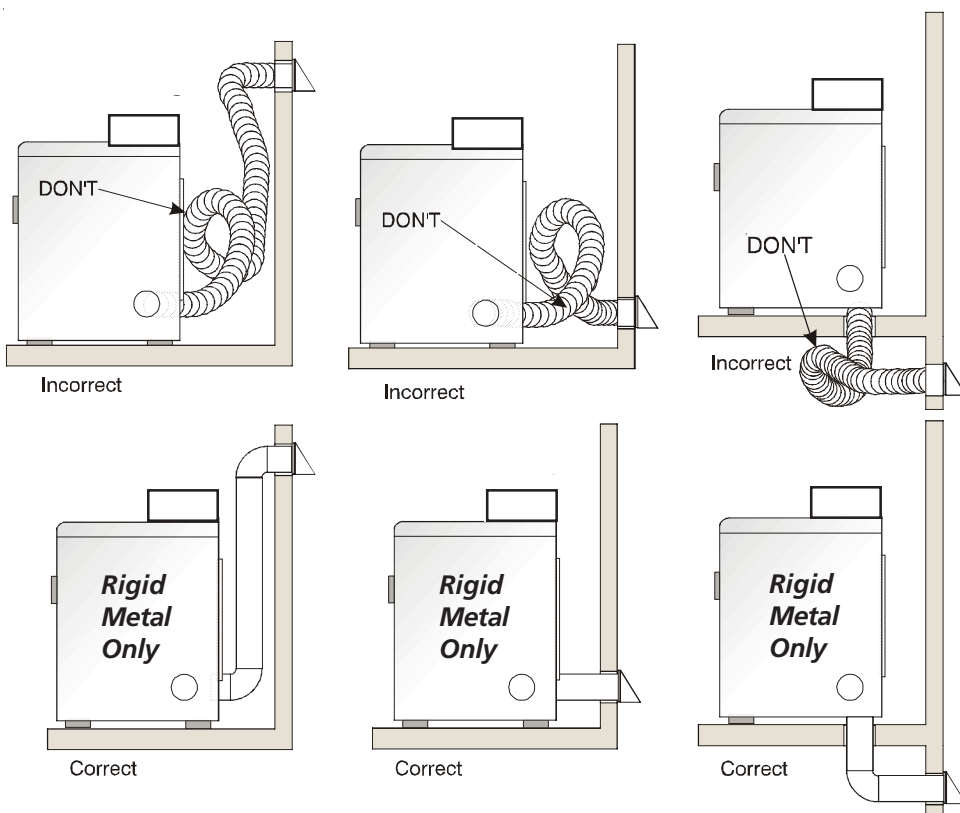
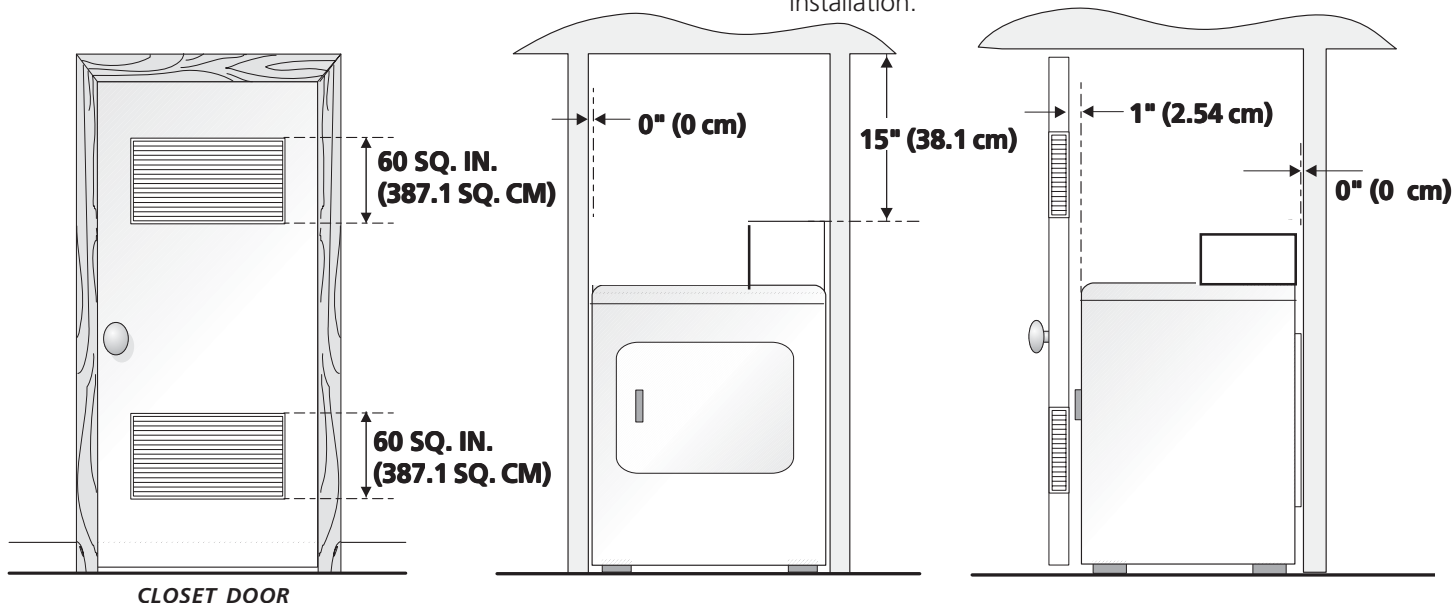
**MINIMUM INSTALLATION CLEARANCES (Inches)**

	FRONT	SIDES	REAR	TOP
Alcove	0 (0 cm)	0 (0 cm)	0 (0 cm)	15 (38.1 cm)
Closet	1 (2.54 cm)	0 (0 cm)	0 (0 cm)	15 (38.1 cm)

Closet door ventilation required: 2 louvered openings each 60 square inches (387 square centimeters) — 3 inches (7.6 cm) from bottom and top of door.

**THIS DRYER MUST BE EXHAUSTED OUTDOORS.**

5. The following illustrations show minimum clearance dimensions for proper operation in a recess or closet installation.



## ELECTRICAL INSTALLATION

Before proceeding with electrical installation, install the dryer's coin-metering system (when used) in accordance with the separate instructions provided with the meter.

### ***ALL ELECTRIC Dryers***

**⚠ WARNING** *The following are specific requirements for proper and safe electrical installation of your dryer. Failure to follow these instructions can create electrical shock and/or a fire hazard.*

**⚠ WARNING** This appliance **MUST** be properly grounded. Electrical shock can result if the dryer is not properly grounded. Follow the instructions in this manual for proper grounding.

**⚠ WARNING** Do not use an extension cord with this dryer. Some extension cords are not designed to withstand the amounts of electrical current this dryer utilizes and can melt, creating electrical shock and/or fire hazard. Locate the dryer within reach of the receptacle for the length power cord to be purchased, allowing some slack in the cord. Refer to the pre-installation requirements in this manual for the proper power cord to be purchased.

**⚠ WARNING** A U.L. listed strain relief must be installed onto power cord. If the strain relief is not attached, the cord can be pulled out of the dryer and can be cut by any movement of the cord, resulting in electrical shock.

**⚠ WARNING** Do not use an aluminum wired receptacle with a copper wired power cord and plug (or vice versa). A chemical reaction occurs between copper and aluminum and can cause electrical shorts. **The proper wiring and receptacle is a copper wired power cord with a copper wired receptacle.**

**NOTE:** Dryers operating on 208 volt power supply will have longer drying times than operating on 240 volt power supply.

## GROUNDING REQUIREMENTS

### ***ELECTRIC Dryer***

**⚠ DANGER** Improper connection of the equipment grounding conductor can result in a risk of electrical shock. Check with a licensed electrician if you are in doubt as to whether the appliance is properly grounded.

For a grounded, cord-connected dryer:

1. The dryer **MUST** be grounded. In the event of a malfunction or breakdown, grounding will reduce the risk of electrical shock by a path of least resistance for electrical current.
2. If your dryer is equipped with a power supply cord having an equipment-grounding conductor and a grounding plug, the plug **MUST** be plugged into an appropriate, copper wired receptacle that is properly installed and grounded in accordance with all local codes and ordinances. If in doubt, call a licensed electrician. **Do not modify plug provided with the appliance.**

For a permanently connected dryer:

1. The dryer **MUST** be connected to a grounded metal, permanent wiring system; or an equipment grounding conductor must be run with the circuit conductors and connected to the equipment-grounding terminal or lead on the appliance.

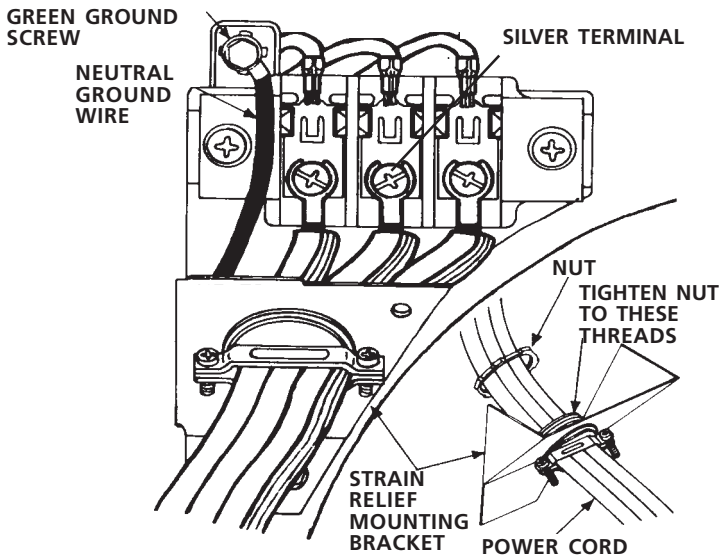
### ***ALL GAS Dryers***

This dryer is equipped with a three-prong (grounding) plug for your protection against shock hazard and should be plugged directly into a properly grounded three-prong receptacle. Do not cut or remove the grounding prong from this plug.

**ELECTRICAL CONNECTIONS  
FOR 3-WIRE SYSTEM**

***ELECTRIC Dryer***

1. Remove the screws securing the terminal block access cover and the strain relief mounting bracket located on the back of the dryer upper corner.
2. Install a U.L. listed strain relief into the power cord entry hole of the mounting bracket. Finger tighten the nut only at this time.



3. Thread a U.L. listed 30 amp. power cord, NEMA 10-30 Type SRDT, through the strain relief.
4. Attach the power cord neutral (center wire) conductor to the silver colored center terminal on the terminal block. Tighten the screw securely.
5. Attach the remaining two power cord outer conductors to the outer brass colored terminals on the terminal block. Tighten both screws securely.

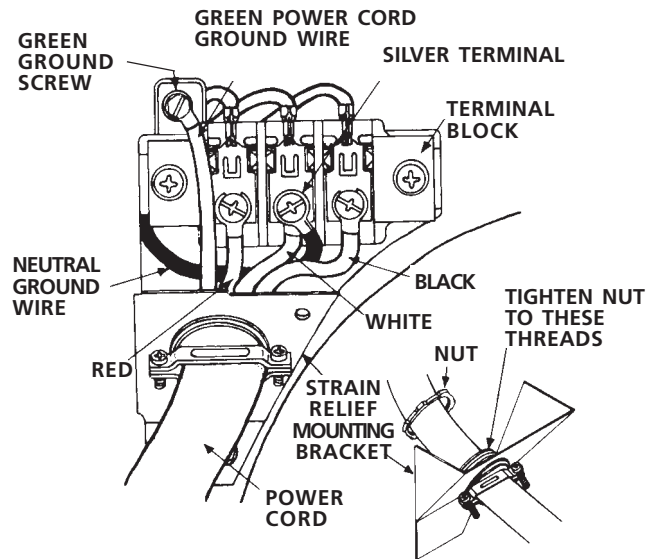
**⚠ WARNING** Do not make a sharp bend or crimp wiring/conductor at connections.

6. Reattach the strain relief mounting bracket to the back of the dryer with two screws. Tighten screws securely.
7. Tighten the screws securing the cord restraint firmly against the power cord.
8. Tighten the strain relief nut securely so that the strain relief does not turn.
9. Reinstall the terminal block cover.

**ELECTRICAL CONNECTIONS  
FOR 4-WIRE SYSTEM**

***ELECTRIC Dryer***

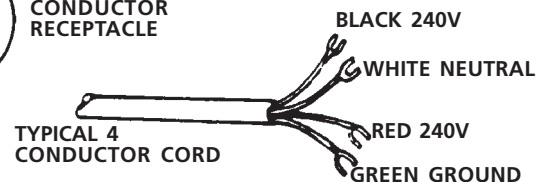
1. Remove the screws securing the terminal block access cover and the strain relief mounting bracket located on the back of the dryer upper corner.
2. Install a U.L. listed strain relief in the entry hole of the mounting bracket. Finger tighten the nut only at this time.
3. Remove the ground wire from the green ground screw located above the terminal block.



4. Thread a U.L. listed 30 amp power cord, NEMA 14-30 type ST or SRDT through the strain relief.



**TYPICAL 4  
CONDUCTOR  
RECEPTACLE**



**TYPICAL 4  
CONDUCTOR CORD**

**30 AMP NEMA 14-30 TYPE SRDT OR ST**

5. Attach the green power cord ground wire to the cabinet with the green ground screw.
6. Attach the white (neutral) power cord conductor from the power cord and the neutral ground wire from the dryer harness (removed from the ground screw in step 3) to the silver-colored center terminal on the terminal block. Tighten the screw securely.
7. Attach the red and black power cord conductors to the outer brass colored terminals on the terminal block.

**⚠ WARNING** Do not make a sharp bend or crimp wiring/conductor at the connections.

8. Tighten the screws securing the cord restraint firmly against the power cord.
9. Tighten the strain relief nut securely so the strain relief does not turn.
10. Reinstall the terminal block access cover.



## INSTALLATION

### 1. GAS CONNECTION (*Gas dryers only*)

- Remove the shipping cap from gas pipe at the rear of the dryer.

**NOTE: DO NOT** connect the dryer to L.P. gas service without converting the gas valve. An L.P. conversion kit must be installed by a qualified gas technician.

- Connect a 1/2 inch (1.27 cm) I.D. semi-rigid or approved pipe from gas supply line to the 3/8 inch (0.96 cm) pipe located on the back of the dryer. Use a 1/2 inch to 3/8 inch (1.27 cm to 0.96 cm) reducer for a connection. Apply an approved thread sealer that is resistant to the corrosive action of liquefied gases on all pipe connections.

- Open the shutoff valve in the gas supply line.

- Test all connections by brushing on a soapy water solution.

**NEVER TEST FOR GAS LEAKS WITH AN OPEN FLAME.**

- Connect the exhaust duct to outside exhaust system. Use duct tape to seal all joints.

- With the dryer in its final position, adjust one or more of the legs until the dryer is resting solid on all four legs. Place a level on top of the dryer. **THE DRYER MUST BE LEVEL AND RESTING SOLID ON ALL FOUR LEGS.**

- Plug the power cord into a grounded outlet. NOTE: Check to ensure the power is off at circuit breaker/fuse box before plugging the power cord into the outlet.

- Turn on the power at the circuit breaker/fuse box.

**CAUTION** Before operating the dryer, make sure the dryer area is clear and free from combustible materials, gasoline, and other flammable vapors. Also see that nothing (such as boxes, clothing, etc.) obstructs the flow of combustion and ventilation air.

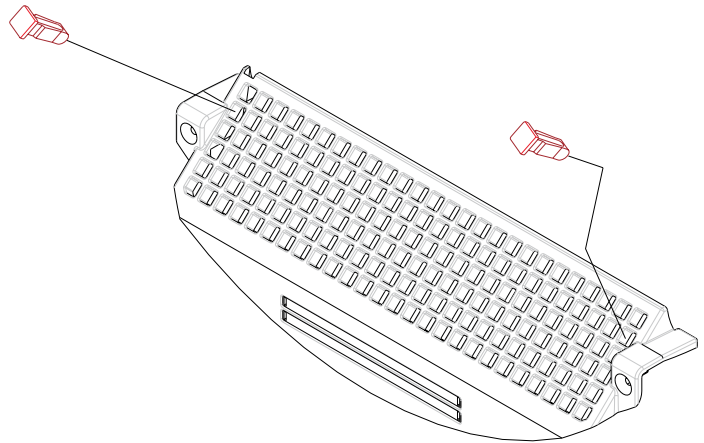
- Run the dryer through a cycle check for proper operation.

**NOTE:** On gas dryers, before the burner will light, it is necessary for the gas line to be bled of air. If the burner does not light within 45 seconds the first time the dryer is turned on, the safety switch will shut the burner off. If this happens, turn the timer to "OFF" and wait 5 minutes before making another attempt to light.

- Place these instructions in a location near the dryer for future reference.

**NOTE:** A wiring diagram is located inside the dryer.

## Lint Blade Retaining Pin Location and Orientation



Install the pins after the lint blade is installed.

## METER CASE INSTRUCTIONS

### COIN BOX ADJUSTMENT

The tight fit of the money box is set at the factory. Customer may loosen fit as desired by loosening the slotted nuts. See FIG. 1.

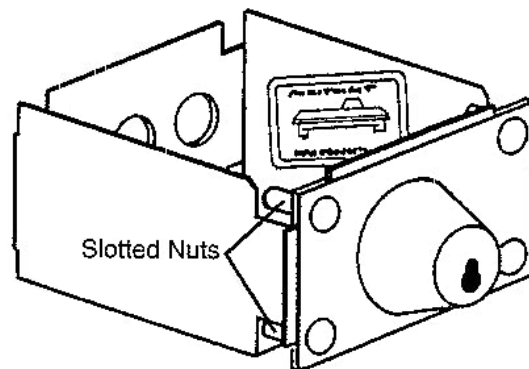


FIGURE 1

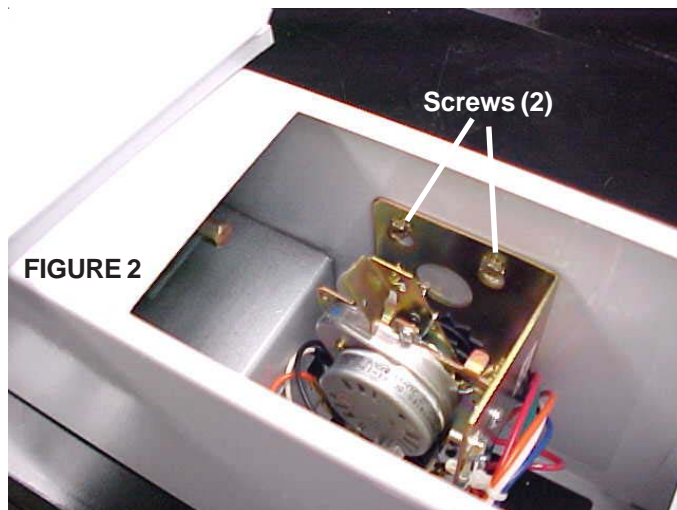
**Keep A record of all coin-box key numbers.** A lost key can only be replaced by ordering the key numbers from the place where the unit was purchased. The key number is located both on the key and behind the end panel of the coin box. If the key number is not available, the lock must be drilled out to remove the coin box.

## REPLACING NYLON TIMING CAMS ON ACCUMULATOR MECHANISM

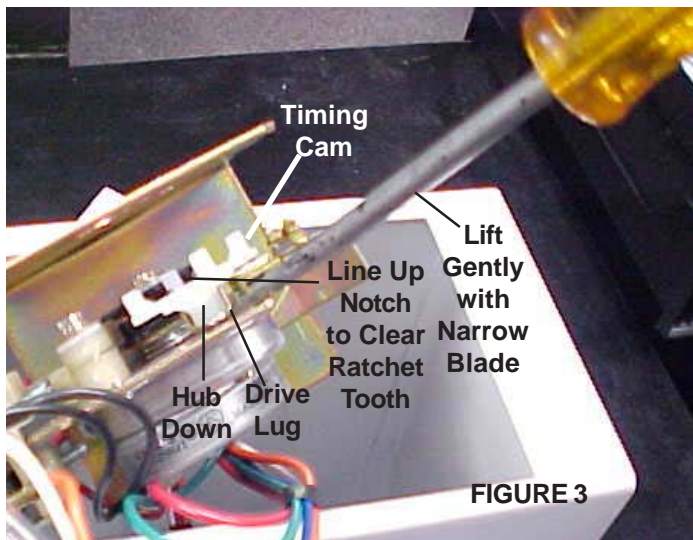
### **⚠ WARNING** Electrical Shock Hazard

- **Disconnect both power supply cords from the electric power supply before making these changes.**
- **Change timing cams before completing electrical connection. Failure to do so could result in electrical shock or personal injury.**

- A. Remove meter-case service door:
1. Loosen two screws securing timer bracket to meter case and lift timer assembly out. See FIG. 2



- B. Remove nylon timing cam:
1. Rotate cam by hand until "V" notch lines up underneath the ratchet tooth. See FIG. 3.
  2. Insert narrow screwdriver under nylon cam close to the timer shaft. Lift cam gently off shaft. Make sure that pressure is directed upward and the "V" notch clears the ratchet tooth.



- C. Replace new timing cam:
1. Be sure drive lug is in place. Place cam (hub down) over timer shaft, lining up flat on shaft with flat of drive lug hole.
  2. Rotate cam until "V" notch lines up with ratchet tooth.
  3. Press down to seat cam on timer shaft. make sure that "V" notch freely clears ratchet tooth.

Timing Cam Pin Chart

NUMBER OF PINS	TIME PER COIN INSERTED	NUMBER OF PINS	TIME PER COIN INSERTED
1	180 minutes	7	25.7
2	90	8	22.5
3	60	9	20
4	45	10	18
5	36	11	16.3
6	30	12	15

### INSTRUCTIONS FOR CHANGING VEND PRICE

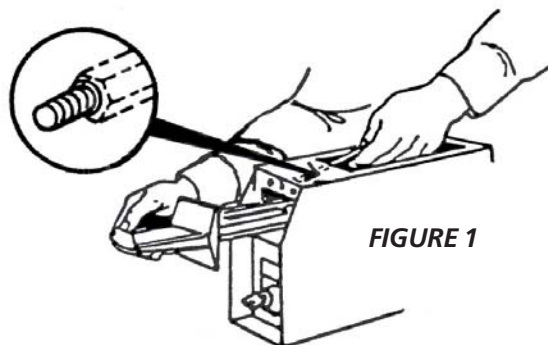
#### TOOLS NEEDED

- Medium sized slotted screwdriver
- Small slotted Phillips screwdriver

Place all screws and other items removed from coin slide assembly on a cloth so they will not get lost.

#### STEP 1

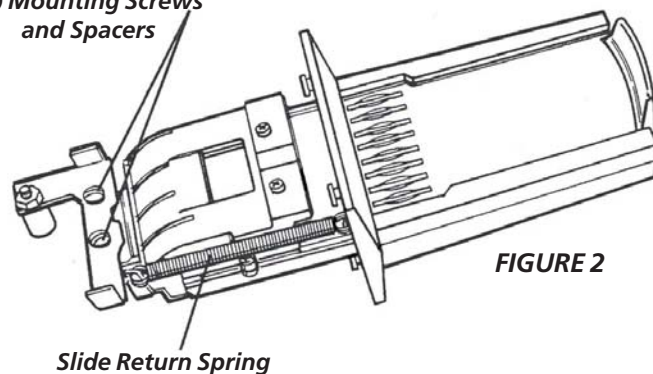
Remove slide mechanism from meter case (see FIGURE 1).



#### STEP 2

Remove the coin slide extension from coin slide by removing two mounting screws and spacers (see FIGURE 2).

#### (2) Mounting Screws and Spacers

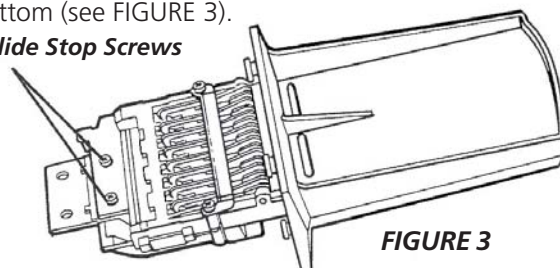


#### STEP 3

#### Remove coin slide from coin chute:

- Unhook and remove the coin slide return spring (see FIGURE 2).
- Turn coin slide mechanism upside down.
- Remove coin slide stop by taking out two screws to the chute bottom (see FIGURE 3).

#### (2) Slide Stop Screws



- Pull coin slide out of coin chute (see FIGURE 4).

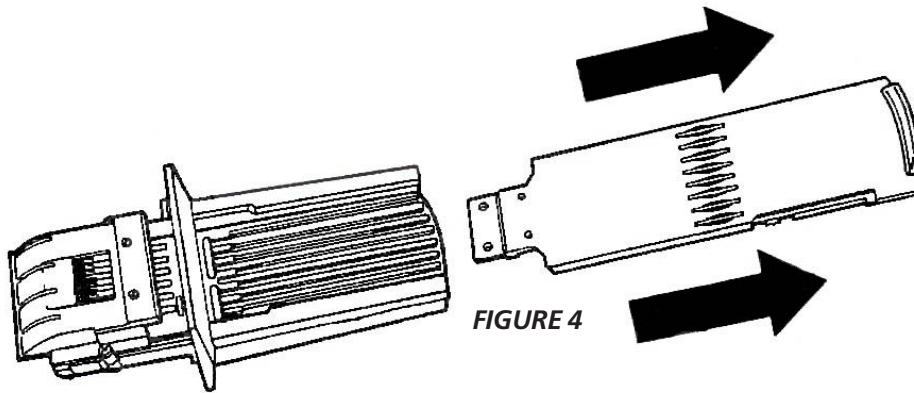


FIGURE 4

**STEP 4**

Turn coin slide upside down and remove screw that holds coin receiver block (see FIGURE 5).

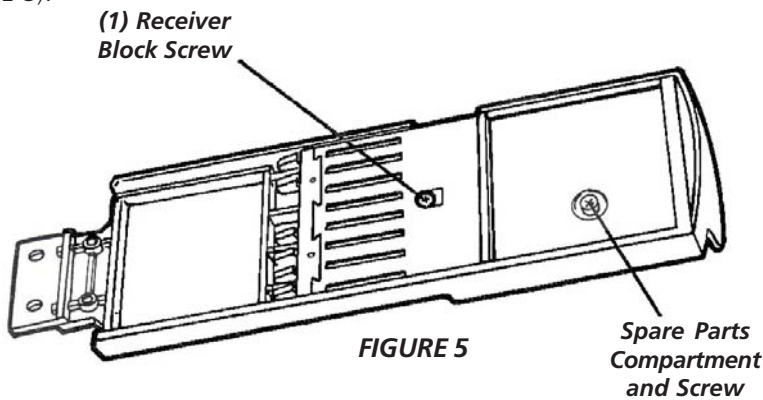


FIGURE 5

**STEP 5**

**Remove coin receiver block from coin slide (see FIGURE 6):**

- Turn coin slide right side up. Keep coin receiver block in place with your fingers.
- Carefully lift coin slide from coin receiver block. If necessary, shake coin slide gently to loosen block.

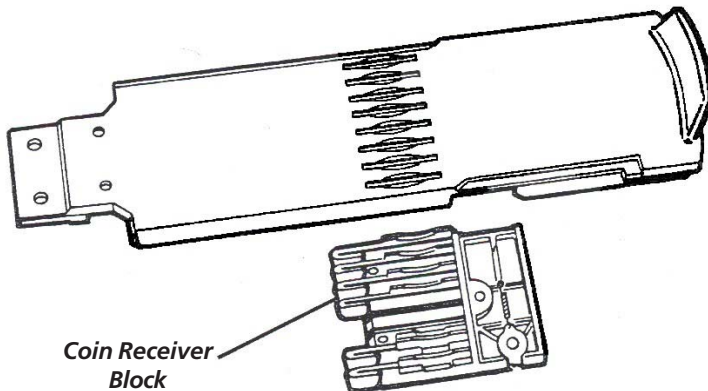


FIGURE 6

**STEP 6**

Set new vend price by adding or removing the appropriate block-out keys and/or dime inserts according to the Table of Vend Prices (see FIGURE 7).

**NOTE:** Black colored slots are closed off by block-out key.

**FIGURE 7**  
**TABLE OF VEND PRICE**

VEND PRICE	COIN SLOTS							
	1	2	3	4	5	6	7	8
0	■	■	■	■	■	■	■	■
\$.10	□	■	■	■	■	■	■	■
\$.20	□	□	■	■	■	■	■	■
\$.25	■	■	□	■	■	■	■	■
\$.35	□	■	□	■	■	■	■	■
\$.45	□	□	□	■	■	■	■	■
\$.50	■	■	□	□	■	■	■	■
\$.60	□	■	□	□	■	■	■	■
\$.70	□	□	□	■	■	■	■	■
\$.75	■	■	□	□	■	■	■	■
\$.85	□	■	□	□	□	■	■	■
\$.95	□	□	□	□	■	■	■	■
\$1.00	■	■	□	□	□	□	■	■
\$1.10	□	■	□	□	□	□	■	■
\$1.20	□	□	□	□	□	■	■	■
\$1.25	■	□	□	□	□	■	■	■
\$1.35	□	■	□	□	□	□	■	■
\$1.45	□	□	□	□	□	□	■	■
\$1.50	■	□	□	□	□	□	■	■
\$1.60	□	□	□	□	□	□	■	■
\$1.70	□	□	□	□	□	□	□	■
\$1.75	■	□	□	□	□	□	□	■
\$1.85	□	□	□	□	□	□	□	■
\$2.00	□	□	□	□	□	□	□	□



To remove block-out keys, pull straight up.

**NOTE:** Be sure block-out keys and /or dime inserts are seated properly and ratchet dog is in place with its spring connected (see FIGURE 8).

Be sure the proper coin sizing block is in place.

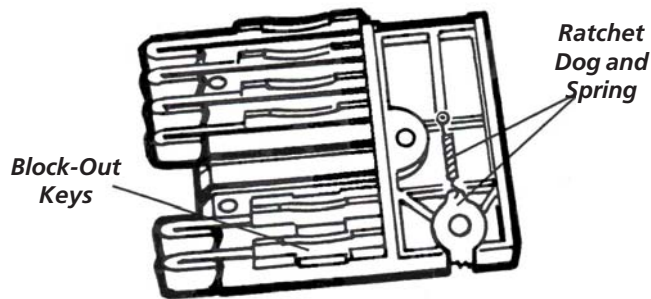


FIGURE 8

#### Change coin sizing block:

- Remove two screws that hold upper coin chute cover. Remove cover (see FIGURE 9).

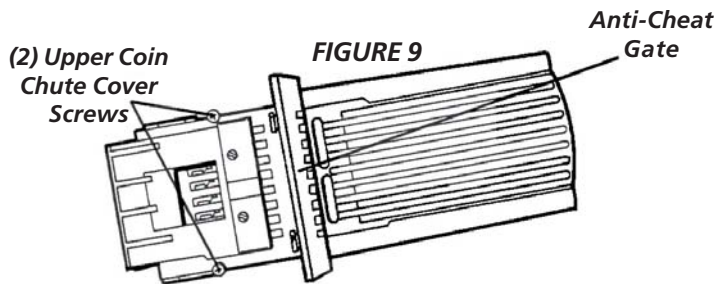


FIGURE 9

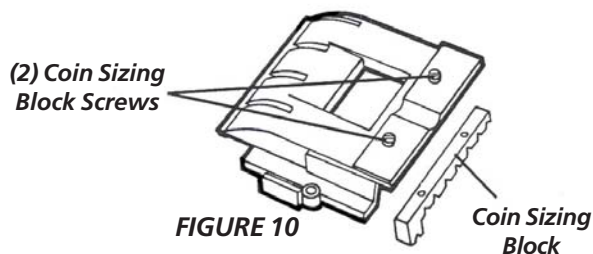


FIGURE 10

- Remove two screws that hold coin sizing block to upper coin chute cover (see FIGURE 10).
- Put new coin sizing block in place. Reinsert and tighten mounting screws.
- Replace coin chute cover. Reinsert and tighten screws.

#### STEP 7

##### Replace coin receiver block into slide:

- Hold coin receiver right side up in the palm of one hand.
- Lower coin slide until coin receiver block fits into the coin slide cavity. CAUTION: Do not dislodge ratchet dog and spring.
- Hold coin receiver block in place with your fingers and turn slide upside down.
- Insert and tighten screw.

#### STEP 8

Install slide into coin chute. Slide can only be pushed in if the anti-cheat gate in flange is pushed to the left. (see FIGURE 9).

#### STEP 9

Replace coin slide stop with two screws. Replace coin slide return spring. Replace coin slide extension with two screws (be sure spacers are in place).

#### STEP 10

Replace coin slide mechanism in meter case. Replace and tighten coin slide mounting bolt.

**NOTE:** It may be easier to insert coin slide mounting bolt if you remove the timer from the mounting screws temporarily.

### REPLACEMENT PARTS

If replacement parts are needed for your dryer, contact the source where you purchased your dryer, or call 1-800-GE CARES for the GE Authorized Parts Distributor nearest you. For coin box parts, call 1-800-221-0982, Greenwald Industries.

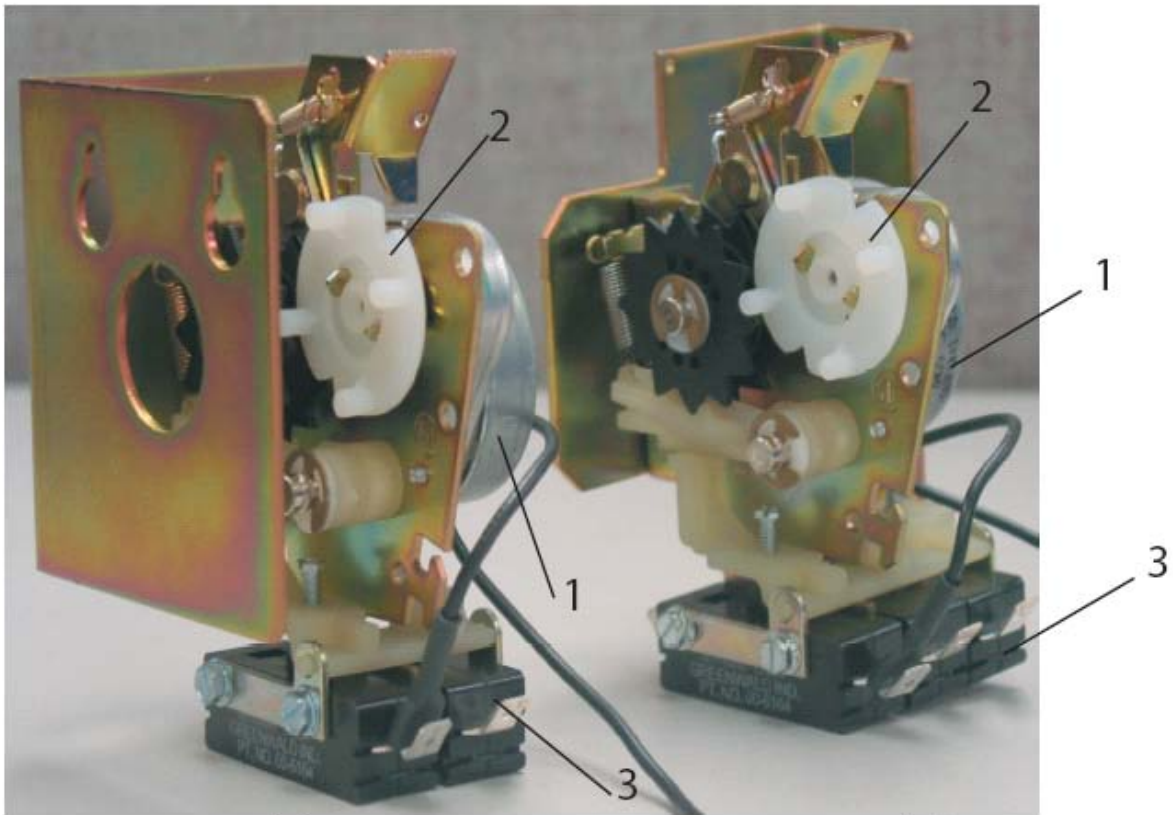
**CAUTION** Label all wires prior to disconnection when servicing controls. Wiring errors can cause improper and dangerous operation. Verify proper operation after servicing.

**WARNING** Destroy the carton and plastic bags after the dryer is unpacked. Children might use them for play. Cartons covered with rugs, bedspreads, or plastic sheets can become airtight chambers causing suffocation. Place all materials in a garbage container or make materials inaccessible to children.

**WARNING** The instructions in this manual and all other literature included with this dryer are not meant to cover every possible condition and situation that may occur. Good safe practice and caution **MUST** be applied when installing, operating and maintaining any appliance.

# Meter Case Parts List

## Parts List For Greenwald Dryer Timers



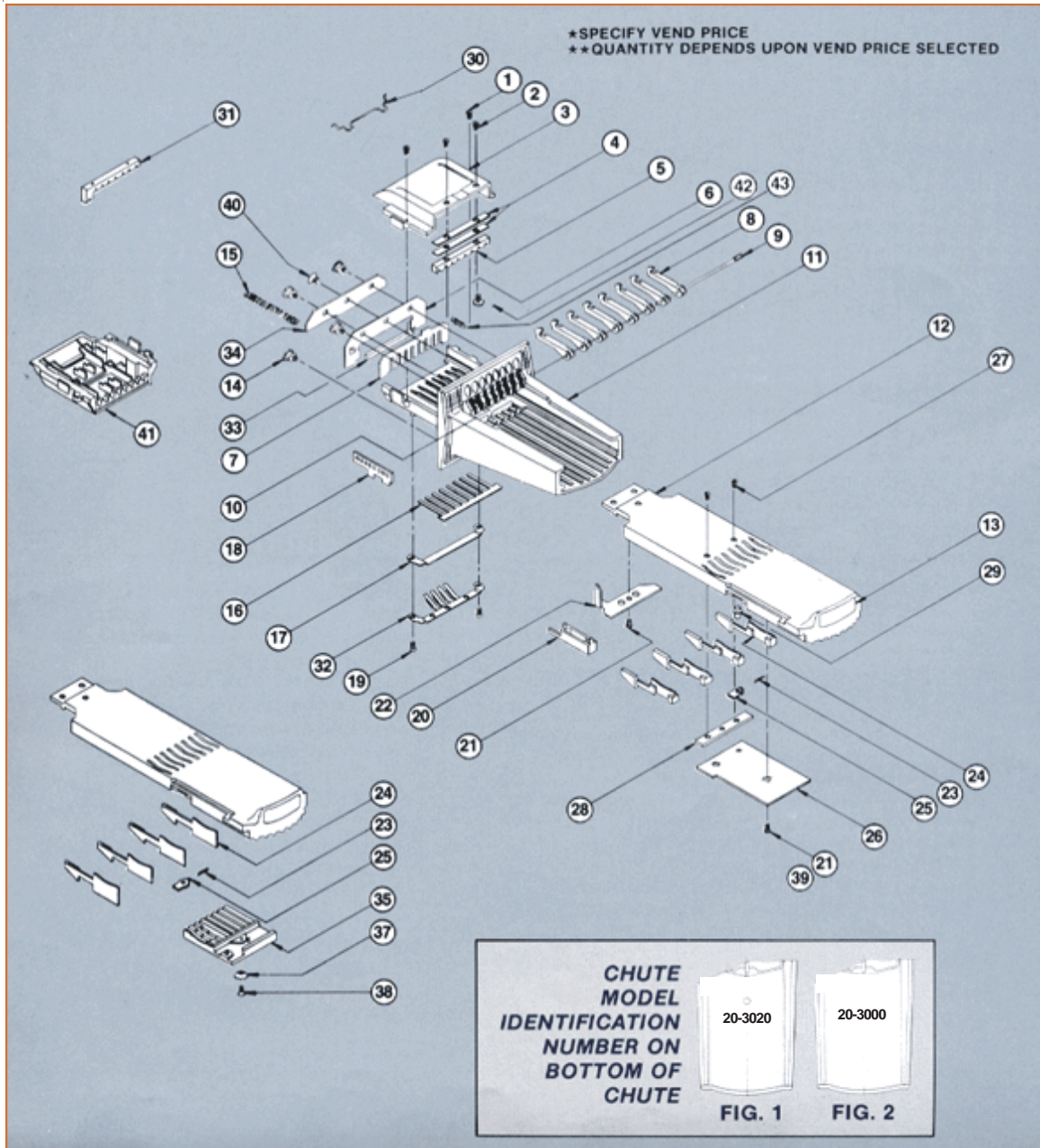
**Timer Assembly  
Model 50-1232-9**

**Timer Assembly  
Model 50-1223-10**

ITEM	PART NUMBER	DESCRIPTION
1	50-61-13-2	Timing motor, 115VAC, 1/180RPM
2	51-161-4	Timing cam, 4-PIN (45 Minutes)*
3	00-6164	Switch
* Additional cams that are available. Cams pull off and push on for replacement.	51-161-1	Timing cam, 1-PIN (180 Minutes)
	51-161-2	Timing cam, 2-PIN (90 Minutes)
	51-161-3	Timing cam, 3-PIN (60 Minutes)
	51-161-5	Timing cam, 5-PIN (36 Minutes)
	51-161-6	Timing cam, 6-PIN (30 Minutes)
	51-161-7	Timing cam, 7-PIN (25.7 Minutes)
	51-161-8	Timing cam, 8-PIN (22.5 Minutes)
	51-161-9	Timing cam, 9-PIN (20 Minutes)
	51-161-10	Timing cam, 10-PIN (18 Minutes)
	51-161-11	Timing cam, 11-PIN (16.3 Minutes)
	51-161-12	Timing cam, 12-PIN (15 Minutes)



# V8 Coin Chute Parts List



## V8 Parts List

DESCRIPTION	REQ.	20-3020	20-3000	DESCRIPTION	REQ.	20-3020	20-3000	DESCRIPTION	REQ.	20-3020	20-3000
1 SCREW (METRIC)	2	00-9724	00-7924	16 SPRING	1	20-2040	20-2001	31 COIN SIZING BLOCK varies		20-3007	20-3007
2 SCREW (METRIC)	2	00-7938	00-7938	17 SPRING PROTECTOR	1	20-2038	20-2007	32 PRESSURE SPRING ASMY	Opt.	20-1012	20-1012
3 TOP HOUSING	1	20-3019	20-3002	18 RACK	1	20-2023	20-2005	33 MAGNET	Opt.	00-9256	00-9256
4 SHIM	2	20-2042	-----	19 SCREW (METRIC)	2	00-7931	00-7931	34 SHIELD	Opt.	20-2045	20-2045
5 COIN SIZING BLOCK	1	20-3006	20-3006	20 10¢ INSERT varies		20-3023	20-5001	35 COIN RECEIVER BLOCK	1	-----	20-2003
6 GATE COVER	1	20-2043	20-2006	21 SCREW (METRIC)	2	00-7923	00-7929	37 LOCK WASHER	1	-----	00-7934
7 GATE	1	20-2035	20-2000	22 SLIDE STOP	1	20-2039	20-2004	38 SCREW (METRIC)	1	-----	00-7933
8 SLIDE STOP DOG	8	20-2011	20-2011	23 RATCHET DOG SPRING	1	00-8123	00-8123	39 SCREW (METRIC)	1	-----	00-7932
9 DOG SHAFT	1	20-4004	20-4000	24 BLOCKOUT KEY varies		20-5002	20-2010	40 SCREW		00-7541	00-7541
10 DECAL, CASTING	1	00-9905	00-9905	25 SLIDE RATCHET DOG	1	20-2041	20-2008	41 TOP HOUSING ASMY		20-1103-1	20-1104-1
11 BODY CASTING	1	20-3020	20-3000	26 STORAGE COMP. COVER		20-2037	20-2003				
12 COIN SLIDE	1	20-3021	-----	27 SCREW (METRIC)	2	00-7935	-----				
13 DECAL, SLIDE	1	00-9104	00-9104	28 BUFFER	1	20-2034	-----				
14 CHUTE LOCATING SCREW	4	00-7483	61-55	29 RATCHET DOG POST	1	20-4005	-----				
15 SLIDE RETURN SPRING	1	00-8148	00-8148	30 COIN RETAINER optional	Opt.	00-8168	-----				



## Consumer Support.

---



### *GE Appliances Website*

**ge.com**

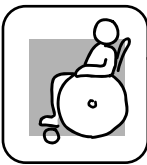
Have a question or need assistance with your appliance? Try the GE Appliances Website 24 hours a day, any day of the year! For greater convenience and faster service, you can now download Owner's Manuals, order parts or even schedule service on-line.



### *Schedule Service*

**ge.com**

Expert GE repair service is only one step away from your door. Get on-line and schedule your service at your convenience 24 hours any day of the year! Or call 800.GE.CARES (800.432.2737) during normal business hours.



### *Real Life Design Studio*

**ge.com**

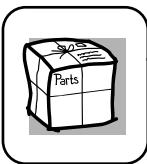
GE supports the Universal Design concept—products, services and environments that can be used by people of all ages, sizes and capabilities. We recognize the need to design for a wide range of physical and mental abilities and impairments. For details of GE's Universal Design applications, including kitchen design ideas for people with disabilities, check out our Website today. For the hearing impaired, please call 800.TDD.GEAC (800.833.4322).



### *Extended Warranties*

**ge.com**

Purchase a GE extended warranty and learn about special discounts that are available while your warranty is still in effect. You can purchase it on-line anytime, or call 800.626.2224 during normal business hours. GE Consumer Home Services will still be there after your warranty expires.

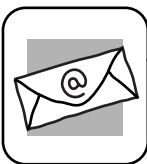


### *Parts and Accessories*

**ge.com**

Individuals qualified to service their own appliances can have parts or accessories sent directly to their homes (VISA, MasterCard and Discover cards are accepted). Order on-line today, 24 hours every day or by phone at 800.626.2002 during normal business hours.

**Instructions contained in this manual cover procedures to be performed by any user. Other servicing generally should be referred to qualified service personnel. Caution must be exercised since improper servicing may cause unsafe operation.**



### *Contact Us*

**ge.com**

If you are not satisfied with the service you receive from GE, contact us on our Website with all the details including your phone number, or write to: General Manager, Customer Relations  
GE Appliances, Appliance Park  
Louisville, KY 40225



### *Register Your Appliance*

**ge.com**

**Register your new appliance on-line—at your convenience!** Timely product registration will allow for enhanced communication and prompt service under the terms of your warranty, should the need arise. You may also mail in the pre-printed registration card included in the packing material.

# Consumer Support.

---



## GE Appliances Website

GEAppliances.ca

---

Have a question or need assistance with your appliance? Try the GE Appliances Website 24 hours a day, any day of the year! For greater convenience and faster service, you can now download Owner's Manuals, order parts, catalogs, or even schedule service on-line. You can also "Ask Our Team of Experts™" your questions, and so much more...



## Schedule Service

1.800.561.3344 or GEAppliances.ca

---

Expert GE repair service is only one step away from your door. Get on-line and schedule your service at your convenience 24 hours any day of the year! Call 1.800.561.3344 during normal business hours.



## Real Life Design Studio

GE supports the Universal Design concept—products, services and environments that can be used by people of all ages, sizes and capabilities. We recognize the need to design for a wide range of physical and mental abilities and impairments. For details of GE's Universal Design applications, including kitchen design ideas for people with disabilities, check out our Website today.

In Canada, contact: Manager, Consumer Relations, Camco, Inc.  
Suite 310, 1 Factory Lane  
Moncton, N.B. E1C 9M3

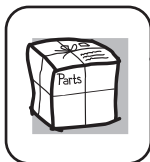


## Extended Warranties

1.888.261.2133 or GEAppliances.ca

---

Purchase a GE extended warranty and learn about special discounts that are available while your warranty is still in effect. You can purchase it on-line anytime, or call 1.888.261.2133 during normal business hours. GE Consumer Home Services will still be there after your warranty expires.



## Parts and Accessories

1.800.661.1616 or GEAppliances.ca

---

Individuals qualified to service their own appliances can have parts or accessories sent directly to their homes (VISA, MasterCard and Discover cards are accepted). Order on-line today, 24 hours every day or by phone at 1.800.661.1616 during normal business hours.

Instructions contained in this manual cover procedures to be performed by any user. Other servicing generally should be referred to qualified service personnel. Caution must be exercised, since improper servicing may cause unsafe operation.



## Contact Us

GEAppliances.ca

---

If you are not satisfied with the service you receive from GE, contact us on our Website with all the details including your phone number, or write to:

Director, Consumer Relations, Camco, Inc.  
Suite 310, 1 Factory Lane  
Moncton, N.B. E1C 9M3



## Register Your Appliance

GEAppliances.ca

---

Register your new appliance on-line—at your convenience! Timely product registration will allow for enhanced communication and prompt service under the terms of your warranty, should the need arise. You may also mail in the pre-printed registration card included in the packing material.



## Contents

Avant l'installation.....	19
Installation électrique.....	19
Évacuation de l'air.....	19-20
Alimentation en gaz.....	20
Emplacement de la sècheuse.....	21
Dimensions de l'emplacement.....	22
Déballage.....	22
Porte Réversible.....	22
Installation électrique.....	23
Mise à la terre.....	23
Branchement électrique - 3 fils.....	24
Branchement électrique - 4 fils.....	24
Installation.....	25
Mécanisme de monnaie.....	25-27
Instructions et liste de pièces pour le boîtier du compteur.....	28-31
Soutenir un client.....	32

## Enregistrement du produit

Pour des informations sur la garantie de GE ou pour communiquer avec le Centre de service GE, appelez **1-800-561-3344** o **www.electromenagersge.ca**.  
**Aux États-Unis veuillez composer 1-800-GE CARES ou site Web www.GEAppliances.com.**

Pour tout service ou pièce pour la machine à sècheuse à encaissement automatique Frigidaire, ayez à portée de la main le numéro du modèle, le numéro de série et la date d'achat. Enregistrez ces informations ci-dessous :

**N° de modèle** \_\_\_\_\_

**N° de série** \_\_\_\_\_

**Date de l'achat** \_\_\_\_\_

**Enregistrez la boîte à monnaie**

**Numéro de la clé** \_\_\_\_\_

Le numéro de la clé est situé sur la clé et/ou sur la boîte à monnaie.

## SÉCURITÉ RELATIVE À UNE SÈCHEUSE

**L'installation et le service de la Sècheuse de vêtements doivent être effectués par un installateur qualifié, l'agence de service ou le fournisseur de gaz. Installez la Sècheuse de vêtement selon les instructions du fabricant et les codes locaux.**

**Avant de commencer, lire attentivement le présent document. Cela simplifiera l'installation et assurera la pose correcte et sécuritaire de la sècheuse. Après l'installation, laisser ce document à proximité de la sècheuse pour référence future.**

**REMARQUE** : L'alimentation électrique de la sècheuse doit respecter les codes et ordonnances locaux ainsi que l'édition la plus récente du Code ANSI/NFPA 70, ou au Canada, le Code canadien d'électricité, ACNOR C22.1, partie 1.

**REMARQUE** : L'alimentation en gaz de la sècheuse doit respecter les codes et ordonnances locaux ainsi que l'édition la plus récente du Code ANSI Z223.1, ou au Canada, le code CAN/ACG B149.1-2000.

**REMARQUE** : La sècheuse est conçue conformément au code ANSI Z 21.5.1 ou ANSI/UL 2158 - CAN/ACG C22.2 No. 112 (l'édition la plus récente).

**La sécurité de l'utilisateur et celle des autres sont très importantes.**

Le guide de l'utilisateur, les consignes d'utilisation et les directives d'installation contiennent de nombreuses consignes de sécurité importantes. Toujours lire et respecter toutes les consignes de sécurité.



Voici le symbole de mise en garde. Ce symbole met en garde contre les risques pouvant entraîner le décès ou des blessures à soi ou aux autres. Tous les messages relatifs à la sécurité sont précédés du symbole de mise en garde et du terme « DANGER » ou « AVERTISSEMENT ». Ces termes signifient :



**DANGER** L'utilisateur sera tué ou gravement blessé s'il ne suit pas ces directives.



**AVERTISSEMENT** L'utilisateur peut être tué ou gravement blessé s'il ne suit pas ces directives.

**Tous les messages relatifs à la sécurité indiquent le risque, comment réduire le risque de blessure et ce qui peut survenir si on ne suit pas les directives.**



**RISQUE D'INCENDIE.** Pour votre sécurité, suivre les directives données dans le présent guide pour minimiser les risques d'incendie, d'explosion, de dommages matériels, de blessures et de mort.

- Ne pas entreposer ni utiliser d'essence ou d'autres vapeurs ou liquides inflammables à proximité de cette sècheuse ou de tout autre appareil électroménager. **GARDEZ CES INSTRUCTIONS.**

- **QUE FAIRE S'IL Y A UNE ODEUR DE GAZ**

- N'allumer aucun appareil électrique.
- Ne toucher aucun commutateur électrique; ne pas utiliser le téléphone dans l'immeuble.
- Faire sortir tous les occupants de la pièce, de l'immeuble ou de la zone avoisinante.
- Appeler la compagnie de gaz immédiatement en utilisant le téléphone d'un voisin. Suivre les instructions de la compagnie de gaz.
- S'il est impossible de joindre la compagnie de gaz, appeler les pompiers.

L'installation et les réparations doivent être effectuées par un installateur ou un technicien qualifié ou par la compagnie de gaz.



## AVANT L'INSTALLATION

### Outils et matériel requis pour l'installation :

1. Tournevis à pointe cruciforme
2. Pincettes multiprise
3. Niveau de menuisier
4. Tournevis à pointe plate ou à lame droite
5. Ruban adhésif pour conduites
6. Conduite en métal rigide ou flexible de 10,2 cm (4 po)
7. Grille de sortie
8. Pâte à joint pour conduites (modèle à gaz)
9. Couteau à mastic en plastique

## INSTALLATION ÉLECTRIQUE

### Sécheuses ÉLECTRIQUES

**CIRCUIT** - Dérivation distincte de 30 A avec fusibles à retardement ou disjoncteurs d'au 30 A.

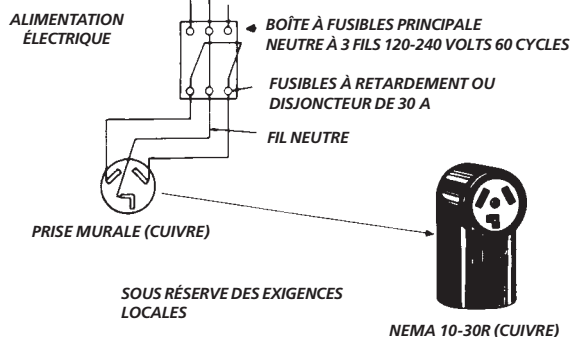
Utilisez des circuits avec un disjoncteur ou fusible séparé pour les machines à laver et sècheuses, et NE PAS faire fonctionner une machine à laver et une sècheuse sur un même circuit.

**ALIMENTATION ÉLECTRIQUE** - 3 fils, 240 volts, une phase, 60 Hz, courant alternatif. (Canada - 240 volts, une phase, 60 Hz, courant alternatif.)

**CORDON D'ALIMENTATION ÉLECTRIQUE** - La sècheuse **DOIT** être reliée à un cordon d'alimentation électrique à 3 conducteurs NEMA 10-30 de type SRDT d'une capacité minimale de 240 volts, courant alternatif, 30 A, avec fiche en L à 3 broches pleines ou repliées conçue pour le branchement d'une sècheuse. Si étant installé dans une nouvelle installation de circuit de branche, manufacturée (mobile) à la maison, véhicule la récréationnel ou secteur qui interdisent fondre par le conducteur neutre, elle **DOIT** être reliée à un cordon d'alimentation électrique à 4 conducteurs NEMA 14-30 de type SRDT ou ST (au besoin) d'une capacité minimale de 240 volts, courant alternatif, 30 A, avec fiche en L à 4 broches pleines ou repliées conçue pour le branchement d'une sècheuse. Se reporter à la section BRANCHEMENT ÉLECTRIQUE D'UNE INSTALLATION À 4 FILS.

**Canada** - Cordon d'alimentation à 4 fils branché à la sècheuse.

**PRISE** - Prise NEMA 10-30R située de façon à ce que le cordon d'alimentation électrique soit accessible une fois la sècheuse en place. (Canada - prise NEMA de 14-30R.)



### Sécheuses à GAZ

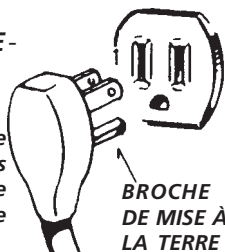
**CIRCUIT** - Dérivation distincte de 15 A avec fusible à retardement ou disjoncteur d'au plus 15 A.

**ALIMENTATION ÉLECTRIQUE** - 3 fils, 120 volts, une phase, 60 Hz, courant alternatif.

**CORDON D'ALIMENTATION ÉLECTRIQUE** -

La sècheuse est pourvue d'un cordon d'alimentation électrique à 3 fils de 120 volts.

REMARQUE : Il ne faut en aucun cas retirer la broche de mise à la terre de la fiche.



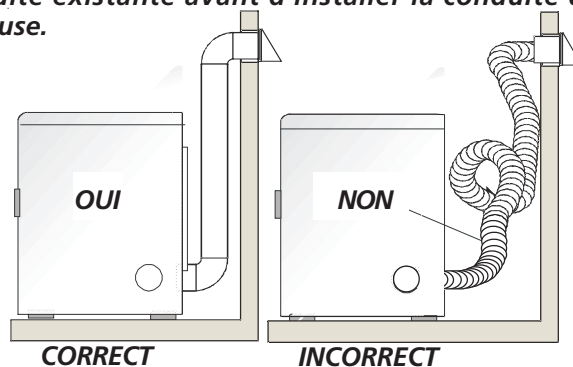
## ÉVACUATION DE L'AIR

Utiliser uniquement une conduite en métal rigide ou flexible de 10,2 cm (4 po) de diamètre (minimum) ainsi qu'une grille de sortie approuvée pourvue de clapets qui s'ouvrent lorsque la sècheuse fonctionne. Quand la sècheuse s'arrête, les clapets se ferment automatiquement pour éviter les courants d'air et l'entrée d'insectes ou de rongeurs. Afin de ne pas obstruer l'évacuation de l'air, laisser une distance minimum de 30,5 cm (12 po) entre la grille de sortie et le sol ou tout autre obstacle.

**AVERTISSEMENT** Les mises en garde qui suivent se rapportent directement au fonctionnement correct et sécuritaire de la sècheuse. Toute dérogation à ces mises en garde pourrait ralentir le séchage et entraîner des risques d'incendie.

**AVERTISSEMENT** N'installez pas la Sècheuse avec des matériels de ventilation en matières plastiques flexibles.

Si la conduite existante est en plastique ou en papier métallique, la remplacer par une conduite en métal rigide ou flexible. Au Canada et aux États-Unis si le conduit est de métal (type feuille d'aluminium), celui-ci doit être d'un type spécifique identifié par le fabricant, recommandé pour l'utilisation avec des Sècheuses ; et aux États-Unis il doit en outre remplir la norme UL 215A. Les matériaux de ventilation flexibles peuvent s'abîmer facilement et recueillir du duvet. Ces conditions obstrueront la circulation d'air de la Sècheuse de vêtements et augmenteront le **risque d'incendie**. **S'assurer qu'il n'y a pas de charpie dans la conduite existante avant d'installer la conduite de la sècheuse.**



**AVERTISSEMENT** - **Risque d'incendie** - une Sècheuse de vêtement doit être aérée à l'air libre. N'aérez pas la Sècheuse dans une cheminée, une paroi, un plafond, un espace fermé ou aucun espace caché du bâtiment. Une sècheuse à linge produit de la charpie combustible. Si l'air n'était pas repoussé à l'extérieur de la maison, de petites particules de charpie se retrouveraient dans la pièce où est installée la sècheuse. Toute accumulation de charpie dans la maison peut présenter des risques pour la santé et des risques d'incendie. **La sècheuse doit être connectée à une bouche d'évacuation vers l'extérieur du bâtiment ou de l'immeuble.** Vous devez inspecter régulièrement l'évent extérieur et enlever toute accumulation de charpie autour de l'évent et dans la cavité du conduit d'évacuation.

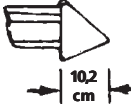

**AVERTISSEMENT** Ne laissez aucun matériau inflammable (comme des vêtements, des tentures, des rideaux ou du papier) entrer en contact avec les conduits d'évacuation.

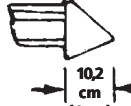

**AVERTISSEMENT** Augmenter la longueur du conduit rigide ou le nombre de coudes permis au tableau «LONGUEUR MAXIMUM» risque de réduire la capacité d'évacuation du circuit. Obstruer le circuit peut créer un risque d'incendie et augmenter le temps de séchage.

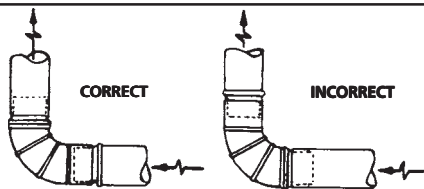
**AVERTISSEMENT** N'obstruez pas les extrémités du tube de ventilation, ni utilisez des vis, rivets ou autres moyens de fixation qui peuvent obstruer le conduit et recueillir du duvet.

De la charpie pourrait s'emprisonner dans le grillage ou sur les vis ou les rivets et ainsi engorger la conduite d'évacuation en plus de présenter un risque d'incendie et de ralentir le séchage. Utiliser une grille de sortie approuvée pour fermer l'ouverture extérieure et sceller tous les joints à l'aide d'un ruban adhésif pour conduites. L'extrémité mâle de chaque composante de la conduite **DOIT** être installée en aval par rapport à la circulation de l'air.

**⚠ AVERTISSEMENT Risques d'explosion.** Ne pas installer la sècheuse à un endroit où l'on garde de la gazoline ou tout autre produit inflammable. Si la sècheuse est installée dans un garage, elle doit être à un minimum de 45,7 cm (18 po) au-dessus du plancher. Toute dérogation pourrait provoquer la mort, l'explosion, l'incendie ou les brûlures.

<b>LONGUEUR MAXIMUM d'une conduite en métal rigide de 10,16 cm (4 po) de diam.</b>	
<b>TYPE DE GRILLE DE SORTIE (Recommandé)</b>	
Nombre de coudes à 90°	 à volet
	
0	18,28 m (60 po)
1	15,84 m (52 po)
2	13,41 m (44 po)
3	9,75 m (32 po)
4	8,53 m (28 po)

<b>LONGUEUR MAXIMUM d'une conduite en métal flexible de 10,16 cm (4 po) de diam.</b>	
<b>TYPE DE GRILLE DE SORTIE (Recommandé)</b>	
Nombre de coudes à 90°	 à volet
	
0	9,14 m (30 po)
1	6,71 m (22 po)
2	4,27 m (14 po)
3	NON RECOMMANDÉ



**POSER LES RACCORDS MÂLES DANS LA BONNE DIRECTION**

Pour les installations dont le circuit d'évacuation n'est pas décrit dans les tableaux, il faut utiliser la méthode suivante si le circuit d'évacuation n'est pas acceptable:

1. Brancher un manomètre digital ou à tube incliné entre la sècheuse et le raccord d'évacuation de la sècheuse.
2. Régler la minuterie de la sècheuse et la température à air froid (refroidissement) et démarrez la sècheuse.
3. Lire la mesure indiquée au manomètre.
4. La basse pression ne doit pas être supérieure à 0,75 pouce de colonne d'eau. Si la basse pression est inférieure à 0,75 pouce de colonne d'eau, le circuit est acceptable. Si la lecture indique une pression supérieure à 0,75 pouce de colonne d'eau, la capacité du circuit est insuffisante et l'installation inacceptable.

Bien qu'un circuit vertical soit acceptable, certaines circonstances atténuantes peuvent influencer la performance de la sècheuse.

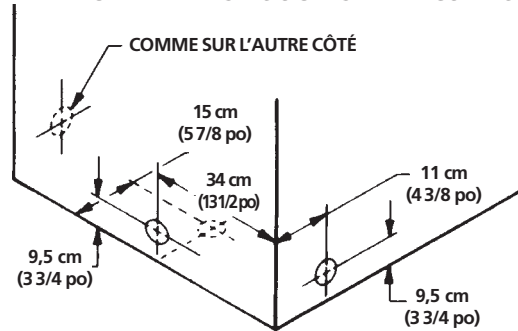
- Il faut utiliser uniquement des conduits rigides en métal.
- Une sortie sur un toit d'un circuit vertical peut exposer celui-ci à un contre-tirage et ainsi réduire sa capacité d'évacuation.
- L'isolant que doit traverser un tel circuit peut causer de la condensation et ainsi réduire la capacité d'évacuation du circuit.
- Un circuit d'évacuation comprimé ou ondulant peut voir sa capacité d'évacuation réduite.

Il faut inspecter le circuit d'évacuation et le nettoyer au moins à **tous les 18 mois** d'utilisation normale. Plus la sècheuse est utilisée, plus il faut procéder souvent à une vérification du bon fonctionnement du circuit d'évacuation et du couvercle du registre ou de l'évent.

**DIRECTION DE L'ÉVACUATION D'AIR**

Toutes les sècheuses empaquetées par l'usine sont conçues de façon à ce que l'évacuation d'air se fasse à l'arrière. Toutefois, dans le cas des sècheuses électriques, l'évacuation d'air peut se faire sur la droite ou sur la gauche du boîtier ou encore, sous la sècheuse. Dans le cas des sècheuses à gaz, l'évacuation d'air peut se faire sur la droite du boîtier ou sous la sècheuse. On peut donc modifier l'orientation de l'évacuation d'air en installant un ensemble d'évacuation d'air n° de pièce 131456800 disponible chez d'un fournisseur de pièces agréé. Suivre les directives qui accompagnent cet ensemble.

**EMPLACEMENT DES BOUCHES D'ÉVACUATION**



**ALIMENTATION EN GAZ**

**⚠ AVERTISSEMENT Remplacer le tuyau de raccordement en cuivre non recouvert de plastique. Il FAUT utiliser du laiton inoxydable ou recouvert de plastique.**

1. L'installation **DOIT** respecter les codes locaux, ou s'il n'existe pas de codes locaux, le code ANSI Z223.1 (l'édition la plus récente) ou au Canada, le Code actuel CAN/CGA B149.
2. La conduite d'alimentation en gaz doit mesurer 1,27 cm (1/2 po).
3. Si les codes le permettent, un tuyau en métal flexible peut être utilisé pour connecter la sècheuse à l'alimentation en gaz. Le tuyau **DOIT** être fabriqué en acier inoxydable ou en cuivre avec un revêtement de plastique.
4. La conduite d'alimentation en gaz **DOIT** comporter un robinet d'arrêt distinct.
5. Une prise de 0,32 cm (1/8 po) NPT accessible pour le branchement d'un manomètre **DOIT** être installée tout juste en amont du branchement de la conduite d'alimentation en gaz sur la sècheuse.
6. La sècheuse **DOIT** être débranchée de la canalisation de gaz pendant toute vérification de pression de l'alimentation en gaz à des pressions qui dépassent 3,45 kPa (1/2 lb/po<sup>2</sup>).
7. La sècheuse **DOIT** être isolée de la canalisation de gaz pendant toute vérification de pression de l'alimentation en gaz à des pressions égales ou inférieures à 3,45 kPa (1/2 lb/po<sup>2</sup>).

## EMPLACEMENT DE LA SÈCHEUSE

### NE PAS INSTALLER LA SÈCHEUSE :

1. Dans un endroit exposé à un écoulement d'eau ou aux conditions atmosphériques.
2. Dans un endroit où elle serait en contact avec des rideaux, draperies ou tout ce qui obstruera le flux d'air de combustion et de ventilation.
3. Sur un tapis. Le plancher **DOIT** être ferme et présenter une pente de 2,54 cm (1 po) au maximum.

### INSTALLATION DANS UNE ALCÔVE OU UN PLACARD

1. Toute sècheuse installée dans une chambre à coucher, une salle de bain, une alcôve ou un placard **DOIT** être reliée à une conduite d'évacuation d'air se terminant à l'extérieur de la maison.
2. Aucun autre appareil brûlant du combustible ne doit être installé dans le même placard que la sècheuse au Gaz.
3. La sècheuse a besoin d'un dégagement suffisant pour permettre la circulation de l'air.

### NE PAS INSTALLER LA SÈCHEUSE DANS UN PLACARD POURVU D'UNE PORTE PLEINE.

4. Une ouverture minimum de 774,2 cm<sup>2</sup> (120 po<sup>2</sup>) répartie également entre le haut et le bas de la porte est requise. Cette ouverture ne doit pas être obstruée lorsque la porte est en place. Une porte à volets dont les ouvertures totalisent la norme décrite ci-dessus est acceptable.

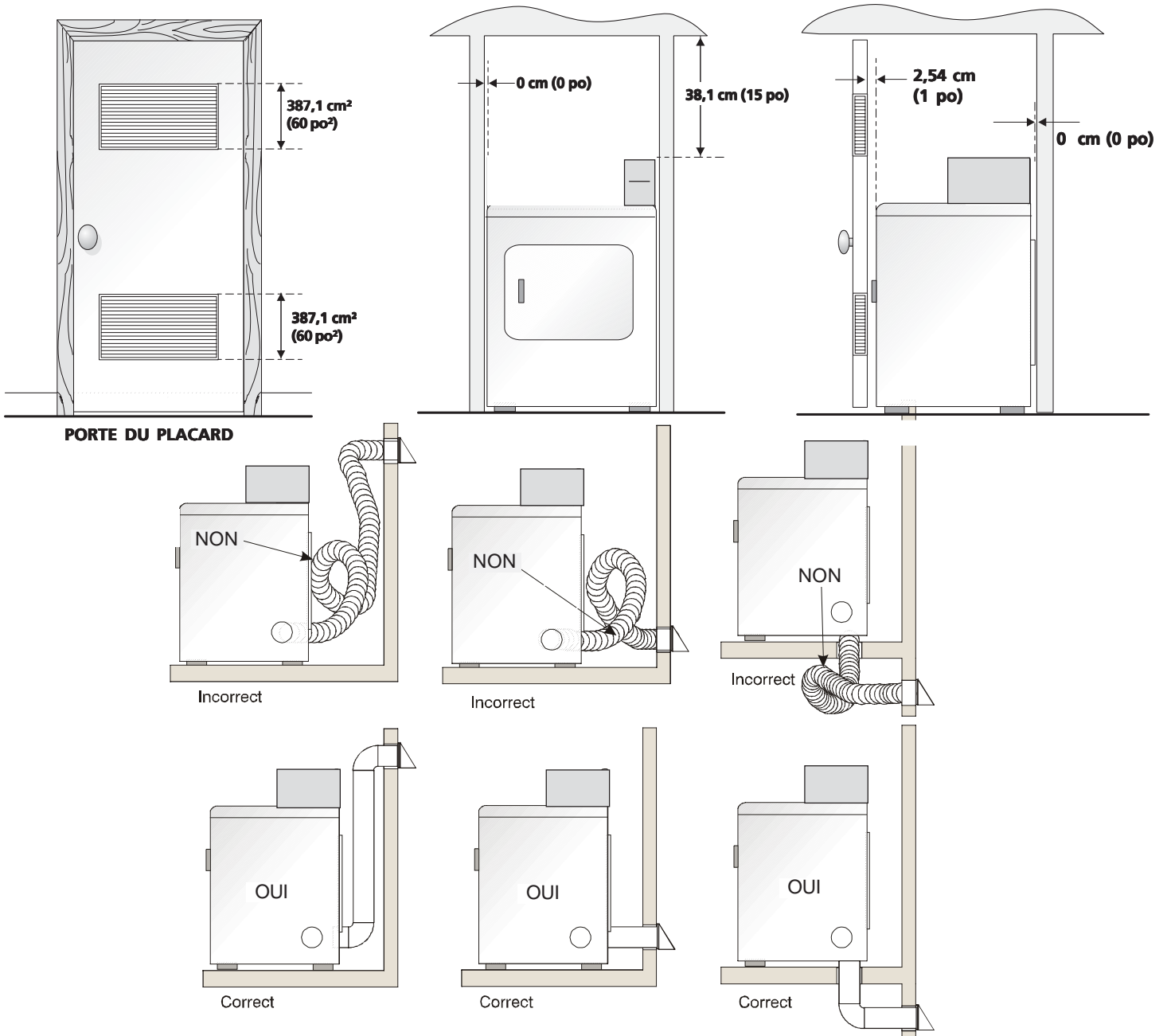
### DÉGAGEMENTS MINIMAUX POUR L'INSTALLATION en po (cm)

	D'AVANT	CÔTÉS	ARRIÈRE	DESSUS
Alcôve ou sous un comptoir	0 (0)	0 (0)	0 (0)	15 (38,1)
Armoire	1 (2,54)	0 (0)	0 (0)	15 (38,1)

Aération nécessaire dans la porte de l'armoire: 2 ouvertures à persiennes de 60 pouces carrés (387 cm carrés) chacun - à 3 pouces (7,6 cm) du bas et du haut de la porte.

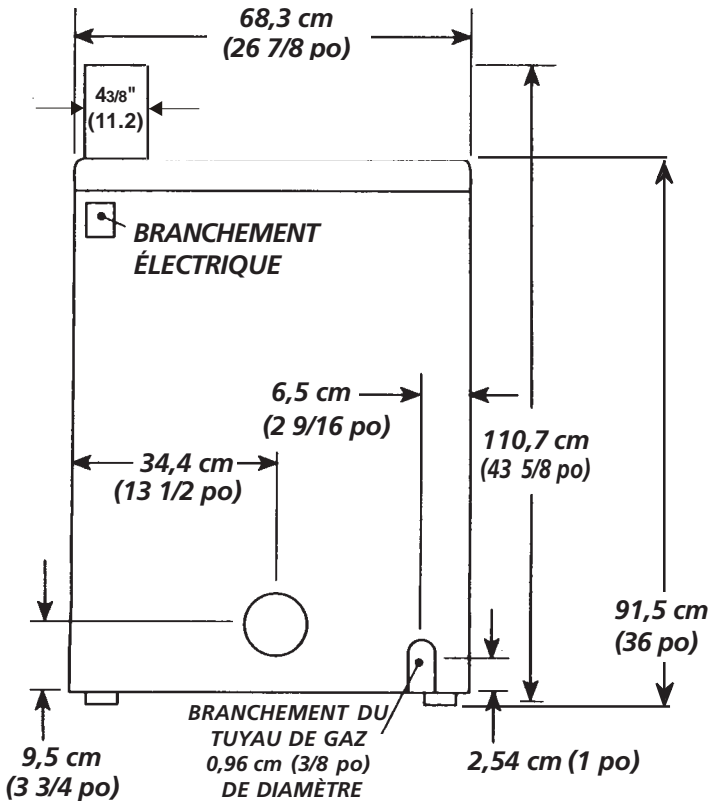
### L'AÉRATION DE CETTE SÈCHEUSE SE FAIT VERS L'EXTÉRIEUR.

5. Les illustrations qui suivent donnent le dégagement minimum pour une installation dans une alcôve ou un placard.



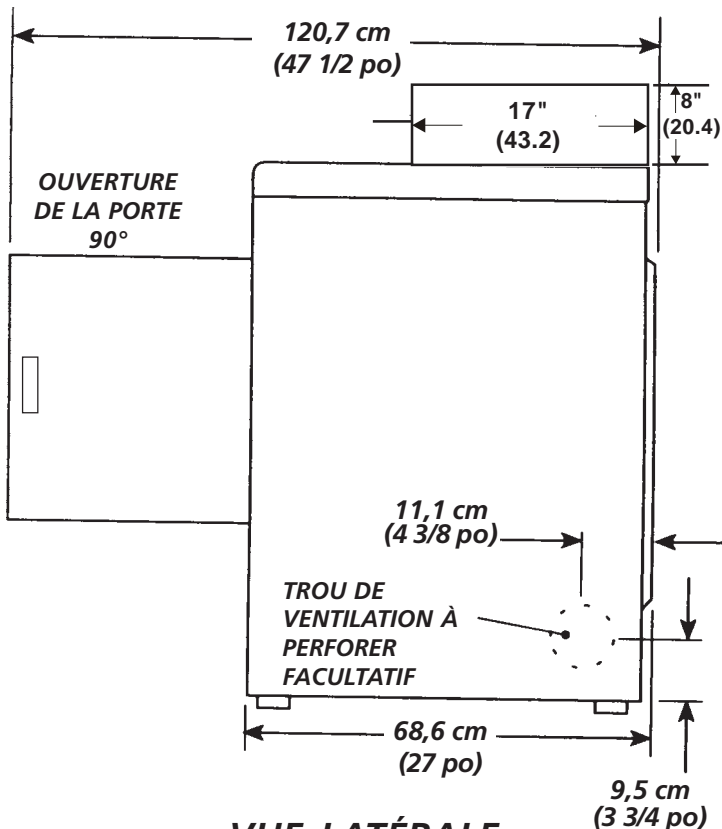
## MODELES AUTONOMES AVEC CONSOLE SUPÉRIEURE

### DIMENSIONS DE L'EMPLACEMENT



inch(cm)

### VUE ARRIÈRE



inch(cm)

### VUE LATÉRALE

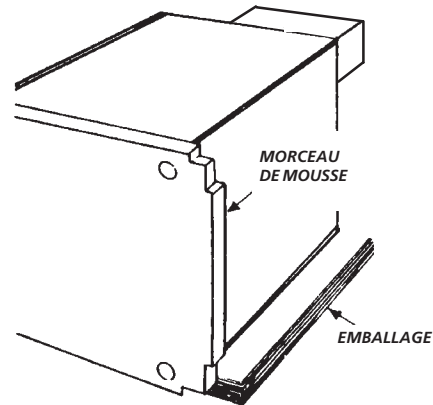
## DÉBALLAGE

- À l'aide des quatre coins de protection de l'emballage (deux sur chaque côté), déposer délicatement la sècheuse sur son côté gauche et retirer le morceau de mousse placé sous la sècheuse pour l'expédition.

**ATTENTION** Pour ne pas endommager la sècheuse, ne pas prendre prise sur le panneau de commande pour soulever ou déplacer la sècheuse.

**REMARQUE** : Si la sècheuse doit être installée sous un comptoir, le panneau du dessus peut être démonté pour l'installation.

- Remettre la sècheuse à la verticale.

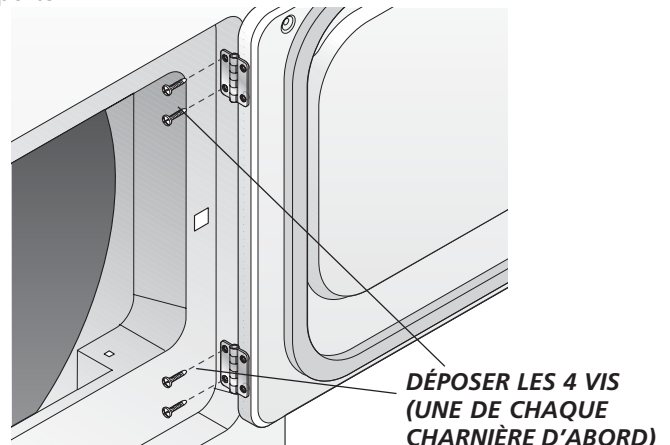


## PORTE RÉVERSIBLE

La sècheuse est conçue de façon à ce que l'ouverture de la porte puisse être inversée en tout temps sans que des pièces additionnelles ne soient requises. L'inversion de la porte requiert le transfert des charnières au côté opposé du boîtier.

Pour inverser l'ouverture de la porte:

- Ouvrir la porte de la sècheuse. Retirer les quatre bouchons de trous de vis du côté gauche de la porte. Les laisser à proximité pour installation future. NOTA : Un couteau à mastic en plastique peut s'avérer nécessaire pour retirer les bouchons de trous de vis. Veiller à ne pas égratigner la peinture.
- Retirer les quatre vis fixant les charnières de la porte au panneau avant de la sècheuse (voir ci-dessous). NOTA : Retirer d'abord une vis dans chacune des deux charnières. Tenir la porte fermement avant de dévisser les deux dernières vis.
- Tourner la porte à un angle de 180° et reposer les charnières de porte au panneau avant de la sècheuse avec les quatre vis.
- Poser les quatre bouchons de trous de vis du côté droit de la porte.





## INSTALLATION ÉLECTRIQUE

### **TOUTES les sècheuses ÉLECTRIQUES**

**⚠ AVERTISSEMENT** Les mises en garde qui suivent se rapportent directement au branchement électrique correct et sécuritaire de la sècheuse. Toute dérogation à ces mises en garde pourrait entraîner des risques choc électrique et d'incendie.

**⚠** Cet appareil **DOIT** être convenablement mis à la terre. La sècheuse présenterait des risques choc électrique si elle n'était pas convenablement mise à la terre. Respecter les directives de mise à la terre contenues dans cette notice pour une mise à la terre correcte.

**⚠** Ne pas utiliser de cordon de rallonge avec cette sècheuse. Certains cordons de rallonge ne sont pas conçus pour supporter l'intensité du courant qu'utilise cette sècheuse; ils peuvent fondre et présenter un risque choc électrique ou d'incendie. Placer la sècheuse à portée de la prise murale afin de déterminer la longueur du cordon à acheter et prévoir un certain jeu dans la longueur du cordon. Se reporter à la section «Avant l'installation» de cette notice pour savoir quel type de cordon acheter.

**⚠** Un détendeur approuvé par U.L. doit être fixé au cordon d'alimentation. Si le détendeur n'était pas présent, le cordon pourrait être arraché de la sècheuse ou coupé par tout type de mouvement, ce qui présenterait un risque choc électrique.

**⚠** Ne pas utiliser une prise à conducteurs en aluminium avec un cordon ou une prise à conducteurs en cuivre (ni l'inverse). Une réaction chimique se produit entre le cuivre et l'aluminium qui pourrait causer un court-circuit. **Il faut utiliser un cordon d'alimentation à conducteurs en cuivre avec une prise à conducteurs en cuivre.**

**REMARQUE :** Les sècheuses qui fonctionnent avec une alimentation de 208 volts auront un temps de séchage plus long que celles qui utilisent une alimentation de 240 volts.

## MISE À LA TERRE

### **Sècheuses ÉLECTRIQUES non-Canadiennes**

**⚠ DANGER** Le branchement inadéquat du conducteur de mise à la terre pourrait présenter un risque choc électrique. En cas de doute quant à la mise à la terre adéquate de l'appareil, contacter un électricien agréé.

Pour brancher et mettre à la terre la sècheuse à l'aide d'un cordon d'alimentation :

1. La sècheuse **DOIT** être mise à la terre. En cas de mauvais fonctionnement ou de panne, la mise à la terre réduit les risques choc électrique en offrant un parcours de moindre résistance au courant.
2. Si la sècheuse est pourvue d'un cordon d'alimentation électrique comportant un conducteur et une fiche de terre, la fiche **DOIT** être branchée dans une prise murale à conducteur en cuivre convenablement raccordée au réseau et mise à la terre conformément à tous les codes et ordonnances locaux. En cas de doute, contacter un électricien agréé. **Ne modifiez pas la prise équipée d'appareil.**

Pour brancher la sècheuse en permanence :

1. La sècheuse **DOIT** être branchée à une installation métallique mise à la terre en permanence; sinon, un conducteur de mise à la terre de l'appareil doit suivre les conducteurs du circuit et être branché à la borne ou à la connexion de mise à la terre de l'appareil.

### **Sècheuses ÉLECTRIQUES Canadiennes**

**⚠ DANGER** Le branchement inadéquat du conducteur de mise à la terre pourrait présenter un risque choc électrique. En cas de doute quant à la mise à la terre adéquate de l'appareil, contacter un électricien agréé.

Pour brancher et mettre à la terre la sècheuse à l'aide d'un cordon d'alimentation :

1. La sècheuse doit être mise à la terre. En cas de mauvais fonctionnement ou de panne, la mise à la terre réduit les risques choc électrique en offrant un parcours de moindre résistance au courant.
2. Puisque la sècheuse est pourvue d'un cordon d'alimentation électrique comportant un conducteur et une fiche de terre, la fiche doit être branchée dans une prise murale à conducteur en cuivre convenablement raccordée au réseau et mise à la terre conformément à tous les codes et ordonnances locaux. En cas de doute, contacter un électricien agréé. **Ne modifiez pas la prise équipée d'appareil.**

### **TOUTES les sècheuses à GAZ**

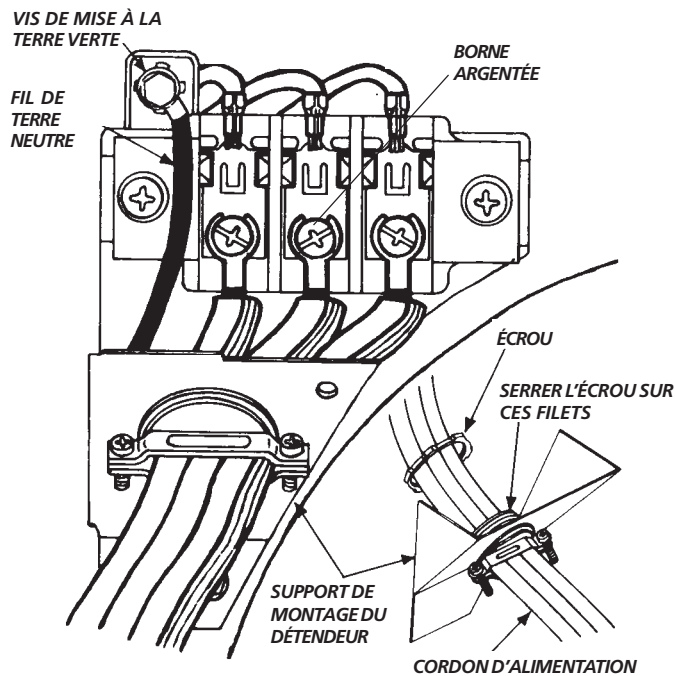
Pour votre protection contre les chocs électriques, la sècheuse est équipée d'une fiche à trois bornes (mise à la terre) et doit être branchée directement dans une prise à 3 bornes correctement mise à la terre. Ne pas couper ni enlever la fiche de mise à la terre de cette prise.



## BRANCHEMENT ÉLECTRIQUE D'UNE INSTALLATION À 3 FILS

### Sécheuses ÉLECTRIQUES non-Canadiennes

1. Retirer les vis qui retiennent le couvercle du panneau de branchement ainsi que le support de montage du détendeur situés dans le coin supérieur à l'arrière de la sécheuse.
2. Poser un détendeur approuvé par U.L. dans le trou du support où s'insère le cordon d'alimentation. Serrer simplement l'écrou à la main pour le moment.
3. Enfiler un cordon d'alimentation NEMA 10-30 approuvé par U.L. de 30 A de type SRDT dans le détendeur.



4. Fixer le conducteur neutre (conducteur central) du cordon d'alimentation à la borne centrale argentée du panneau de branchement. Serrer la vis à fond.
5. Fixer les deux conducteurs restants du cordon d'alimentation aux bornes cuivrées extérieures du panneau de branchement. Serrer les deux vis à fond.

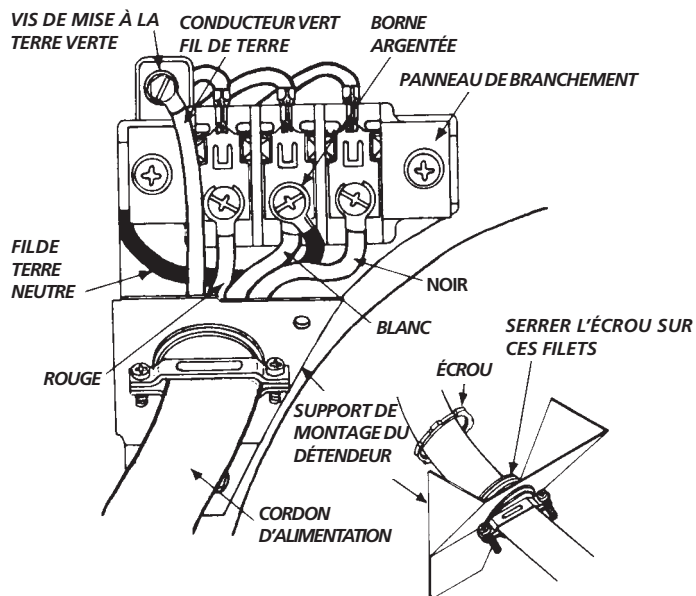
**⚠ AVERTISSEMENT** Ne pas tordre excessivement ni sertir les conducteurs sur les bornes.

6. Réattacher le support de montage du détendeur sur l'arrière de la sécheuse à l'aide de deux vis. Serrer les vis à fond.
7. Serrer à fond les vis qui retiennent le dispositif de retenue du cordon autour du cordon d'alimentation.
8. Serrer l'écrou du détendeur de façon à ce que cette pièce ne tourne pas.
9. Réattacher le couvercle du panneau de branchement.

## BRANCHEMENT ÉLECTRIQUE D'UNE INSTALLATION À 4 FILS

### Sécheuses ÉLECTRIQUES non-Canadiennes

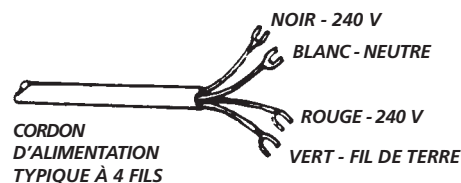
1. Retirer les vis qui retiennent le couvercle du panneau de branchement ainsi que le support de montage du détendeur situés dans le coin supérieur à l'arrière de la sécheuse.
2. Poser un détendeur approuvé par U.L. dans le trou du support. Serrer simplement l'écrou à la main pour le moment.



3. Retirer le fil de terre de la vis de mise à la terre verte neutre située au-dessus du panneau de branchement.



PRISE TYPIQUE À 4  
OUVERTURES



### NEMA 14-30 DE 30 A DE TYPE SRDT OU ST

4. Enfiler un cordon d'alimentation NEMA 10-30 approuvé par U.L. de 30 A de type SRDT dans le détendeur.
5. Fixer le fil de terre vert du cordon d'alimentation au boîtier de la sécheuse à l'aide de la vis de mise à la terre verte.
6. Fixer le conducteur blanc (neutre) du cordon d'alimentation ainsi que le fil de terre neutre du boîtier de la sécheuse à la borne centrale argentée du bloc de branchement.
7. Fixer les conducteurs rouge et noir du cordon d'alimentation aux bornes cuivrées extérieures du panneau de branchement.

**⚠ AVERTISSEMENT** Ne pas tordre excessivement ni sertir les conducteurs sur les bornes.

8. Serrer à fond les vis qui retiennent le dispositif de retenue du cordon autour du cordon d'alimentation.
9. Serrer l'écrou du détendeur de façon à ce que cette pièce ne tourne pas.
10. Réattacher le couvercle du panneau de branchement.

## INSTALLATION

1. BRANCHEMENT DU GAZ (*Sécheuses à gaz seulement*)
  - a. Retirer le couvercle qui recouvre le tuyau de gaz à l'arrière de la sécheuse.

**REMARQUE: NE PAS** brancher la sécheuse sur une alimentation au propane sans avoir posé un nécessaire de conversion. Ce nécessaire doit être installé par un technicien agréé.

- b. Brancher un tuyau semi-rigide ou approuvé de 1,27 cm (1/2 po) de diamètre intérieur entre la conduite d'alimentation en gaz et le tuyau de 0,96 cm (3/8 po) situé sur l'arrière de la sécheuse. Utiliser un réducteur de 1,27 cm-0,96 cm (1/2 po-3/8 po) pour le branchement. Appliquer un mastic de fermeture pour filets approuvé qui résiste à la corrosion qu'exercent les gaz liquéfiés sur tous les raccords de tuyaux.
  - c. Ouvrir le robinet d'arrêt de la conduite d'alimentation en gaz.
  - d. Vérifier tous les branchements en versant de l'eau savonneuse sur les joints. **NE JAMAIS VÉRIFIER S'IL Y A DES FUITES À L'AIDE D'UNE FLAMME VIVE.**

2. Relier les conduits d'évacuation d'air à la conduite d'évacuation extérieure. Utiliser un ruban adhésif pour conduites pour sceller les joints.

3. Une fois la sécheuse dans son emplacement définitif, ajuster les pieds de nivellement jusqu'à ce que la sécheuse repose fermement sur ses quatre pieds. Placer un niveau sur le dessus de la sécheuse. **LA SÉCHEUSE DOIT ÊTRE À NIVEAU ET REPOSER FERMEMENT SUR SES QUATRE PIEDS.**

4. Brancher le cordon d'alimentation électrique dans une prise mise à la terre. **REMARQUE :** S'assurer que le courant est coupé à la boîte de fusibles ou de disjoncteurs avant de brancher le cordon d'alimentation dans une prise.

5. Remettre le courant à la boîte de fusibles ou de disjoncteurs.

**⚠ ATTENTION** Avant d'utiliser la sécheuse, s'assurer que les environs de la sécheuse sont exempts de tout matériau inflammable, d'essence et de toute autre vapeur inflammable. S'assurer également qu'aucun objet (boîtes, vêtements, etc.) n'obstrue la circulation de l'air servant à la combustion et à la ventilation.

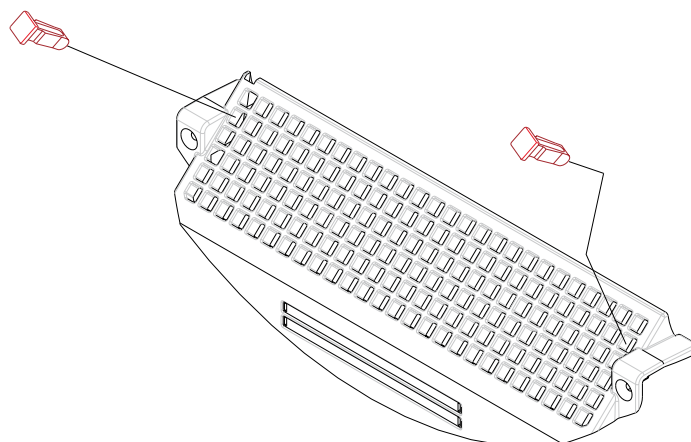
6. Faire fonctionner la sécheuse sur un cycle complet pour en vérifier le fonctionnement.

**REMARQUE:** Dans le cas des sécheuses à gaz, la conduite doit être vidée de son air avant que le brûleur ne puisse s'allumer. Si le brûleur ne s'allume pas dans les 45 secondes qui suivent le premier démarrage, l'interrupteur de sûreté éteint automatiquement le brûleur. Si cela se produit, remettre la minuterie à «OFF» et attendre 5 minutes avant de tenter une nouvelle fois d'allumer le brûleur.

7. Placer cette notice près de la sécheuse pour référence future.

**REMARQUE:** Un schéma de câblage se trouve dans le panneau de commande ou sous le couvercle de la sécheuse.

**Goupille de retenue endroit et orientation de lame de fibre.**



**Installez les goupilles après que la lame de fibre soit installée.**

### RÉGLAGE DE LA BOÎTE À MONNAIE

Le réglage serré de la boîte à monnaie est effectué à l'usine. Le client peut la régler à son goût en desserrant les écrous à créneaux. Voir Fig. 1

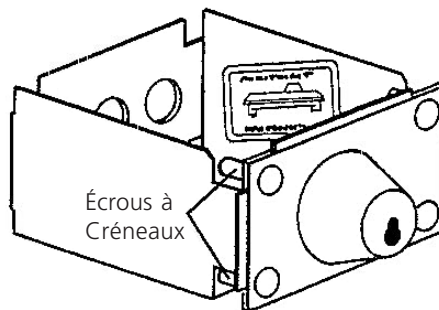


FIGURE 1

**Conserver en dossier tous les numéros de clé de boîte à monnaie.**

Une clé perdue ne peut être remplacée qu'en commandant les numéros de clé à l'établissement où l'appareil a été acheté. Le numéro de clé est situé à la fois sur la clé et derrière le panneau du fond de la boîte à monnaie. Si le numéro de clé n'est pas disponible, le verrou doit être percé pour retirer la boîte à monnaie.

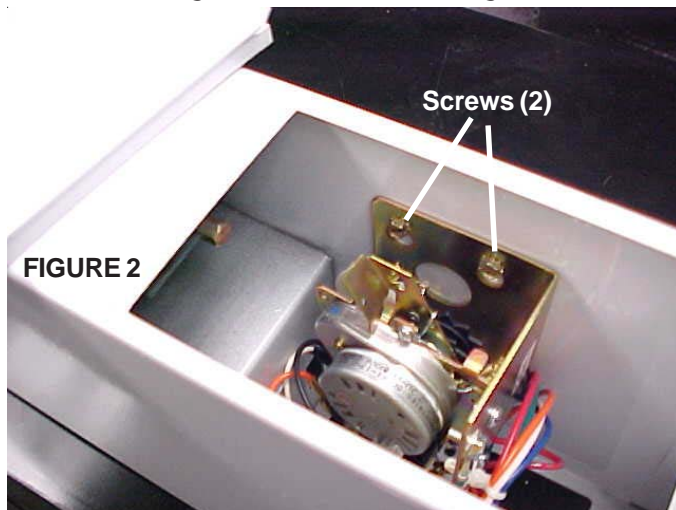
### REPLACEMENT DES CAMES DE MINUTERIE EN NYLON DU MÉCANISME DE L'ACCUMULATEUR

**⚠ AVERTISSEMENT** *Risque de choc électrique*

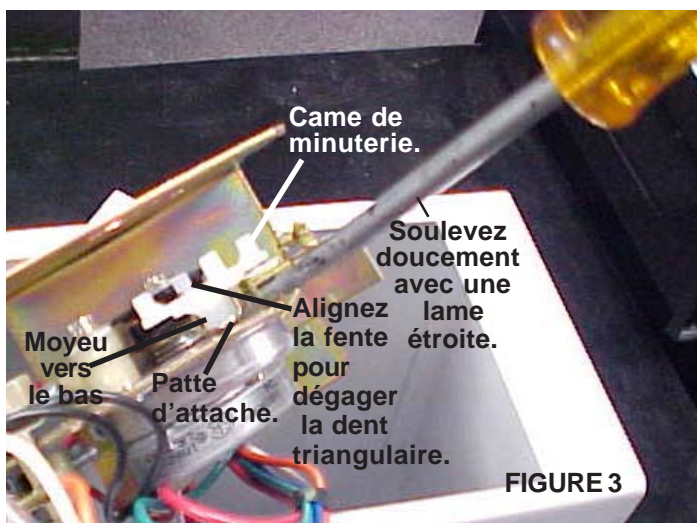
- **Débranchez les deux cordons d'alimentation de l'alimentation électrique avant d'effectuer ces modifications.**
- **Changez les cames de minuterie avant de terminer le raccord électrique.**

**Si vous ne le faites pas un choc électrique ou des blessures peuvent en résulter.**

- A. Démontez la porte de service du boîtier du compteur.
1. Dévissez les deux vis fixant le support de la minuterie au boîtier du compteur et soulevez pour retirer l'assemblage de la minuterie. Voir Fig. 2.



- B. Démontez la came de minuterie en nylon :
1. Faites tourner la came à la main jusqu'à ce que les lignes en « V » de la fente soient alignées sous la dent triangulaire. Voir Fig. 3.
  2. Insérez un tournevis étroit sous la came en nylon à proximité de l'arbre de la minuterie. Soulevez doucement la came de l'arbre. Assurez-vous que la pression est dirigée vers le haut et que la fente en « V » est délogée de la dent triangulaire.



- C. Remontez la nouvelle came de minuterie.
1. Assurez-vous que la patte d'attache est en place. Placez la came (moyeu vers le bas) sur l'arbre de la minuterie, en l'alignant à plat sur l'arbre avec la partie plate hors du trou de la patte d'attache.
  2. Faites tourner la came jusqu'à ce que les lignes en « V » de la fente soient alignées avec la dent triangulaire.
  3. Appuyez pour bien asseoir la came sur l'arbre de la minuterie. Assurez-vous que la fente en « V » est bien délogée de la dent triangulaire.

### Timing Cam Pin Chart

NOMBRE DE BROCHES	DURÉE PAR PIÈCE INSÉRÉE	NOMBRE DE BROCHES	DURÉE PAR PIÈCE INSÉRÉE
1	180 minutes	7	25.7
2	90	8	22.5
3	60	9	20
4	45	10	18
5	36	11	16.3
6	30	12	15

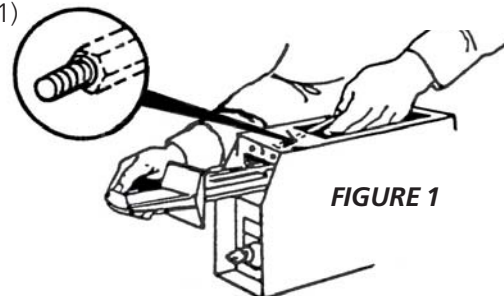
### INSTRUCTION POUR MODIFIER LE PRIX DE VENTE

#### OUTILS REQUIS

- Tournevis à fente moyen pour écrou
  - Tournevis à petite pointe cruciforme
- Placez les tournevis et autres articles démontés de l'assemblage de la glissière à monnaie sur un linge de manière à ne pas les perdre.

#### ÉTAPE 1

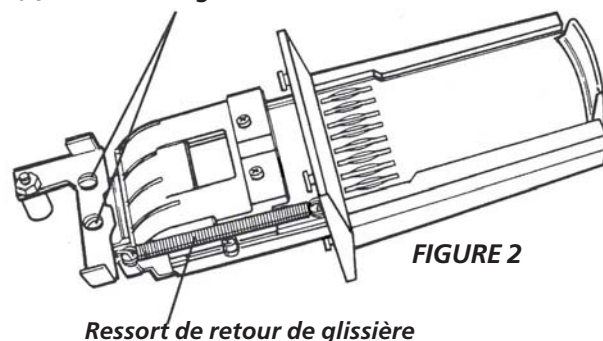
Démontez le mécanisme de glissière du boîtier du compteur (Voir Figure 1)



#### ÉTAPE 2

Démontez le rallonge de glissière à monnaie de la glissière à monnaie en démontant les deux vis de montage et les entretoises. (Voir Figure 2)

(2) Vis de montages et entretoises

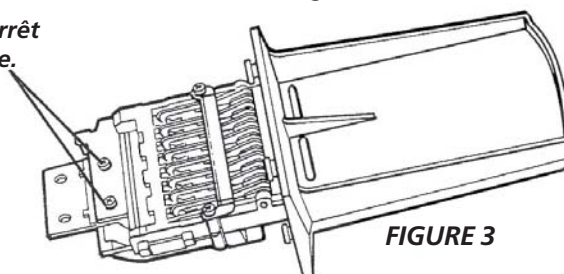


#### ÉTAPE 3

**Démontez la glissière à monnaie de la chute à monnaie :**

- Décrochez et démontez le ressort de retour de la glissière à monnaie. (Voir Figure 2)
- Tournez le mécanisme de glissière sens dessus dessous.
- Démontez l'arrêt de glissière à monnaie en démontant les deux vis au bas de la chute (voir Figure 3).

(2) Vis d'arrêt de glissière.





- Retirez de la chute à monnaie en la tirant de la glissière à monnaie (voir Figure 4).

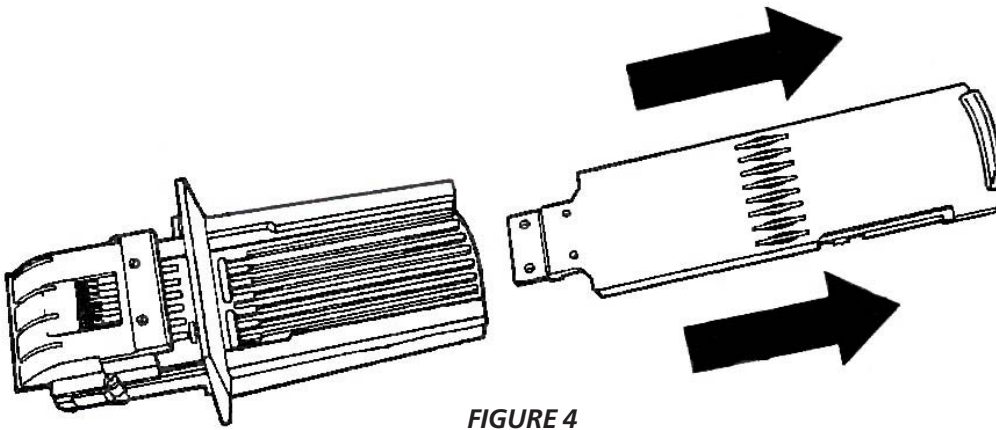


FIGURE 4

**ÉTAPE 4**

Tournez la glissière à monnaie sens dessus dessous et démontez la vis fixant le bloc de cuvette à monnaie (voir Figure 5).

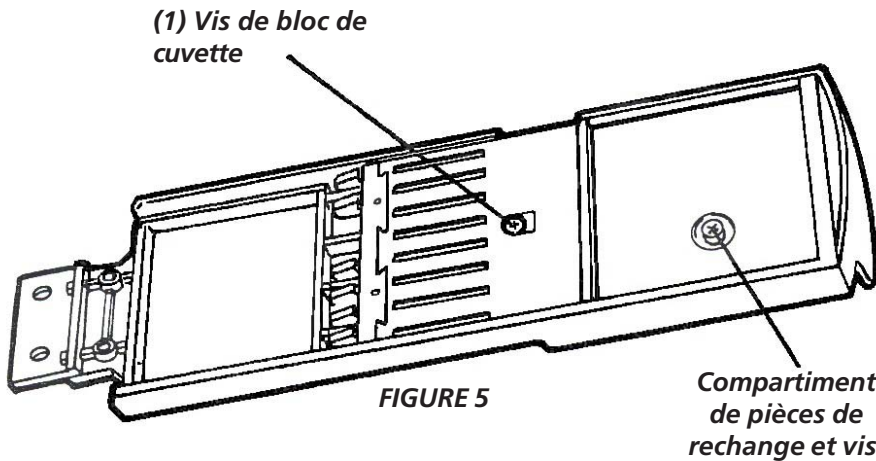


FIGURE 5

**ÉTAPE 5**

Démonter le bloc de la cuvette à monnaie de la glissière à monnaie (Voir Fig. 6):

- Tournez le côté droit de la glissière à monnaie vers le haut. Gardez le bloc de la cuvette à monnaie en place avec vos doigts.
- Soulevez prudemment la glissière à monnaie du bloc de la cuvette à monnaie. Au besoin, agitez doucement la glissière à monnaie pour la desserrer du bloc.

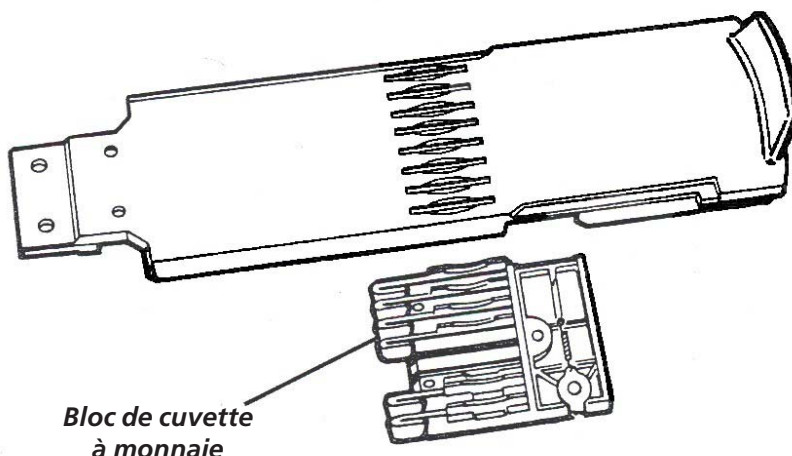


FIGURE 6

**ÉTAPE 6**

Fixez le nouveau prix de vente en ajoutant ou enlevant les clés bloquées appropriées et/ou les languettes à pièce de monnaie selon le Tableau de prix de vente (voir Figure 7).

**NOTA :** Les fentes de couleur noire sont fermées par une clé bloquée.

FIGURE 7

TABLEAU DE PRIX DE VENE

VEND PRICE	COIN SLOTS							
	1	2	3	4	5	6	7	8
0	■	■	■	■	■	■	■	■
\$.10	□	■	■	■	■	■	■	■
\$.20	□	□	■	■	■	■	■	■
\$.25	■	■	□	■	■	■	■	■
\$.35	□	■	■	■	■	■	■	■
\$.45	□	□	■	■	■	■	■	■
\$.50	■	■	□	■	■	■	■	■
\$.60	□	■	■	□	■	■	■	■
\$.70	□	□	□	■	■	■	■	■
\$.75	■	■	□	□	■	■	■	■
\$.85	□	■	■	□	■	■	■	■
\$.95	□	□	□	□	■	■	■	■
\$1.00	■	■	□	□	■	■	■	■
\$1.10	□	■	□	□	□	■	■	■
\$1.20	□	□	□	□	□	■	■	■
\$1.25	■	□	□	□	□	■	■	■
\$1.35	□	■	□	□	□	□	■	■
\$1.45	□	□	□	□	□	□	■	■
\$1.50	■	□	□	□	□	□	■	■
\$1.60	□	□	□	□	□	□	■	■
\$1.70	□	□	□	□	□	□	□	■
\$1.75	■	□	□	□	□	□	□	■
\$1.85	□	□	□	□	□	□	□	□
\$2.00	□	□	□	□	□	□	□	□

Pour démonter les clés bloquées, tirez-les en ligne droite.

**NOTA :** Assurez-vous que les clés bloquées et/ou les languettes à pièce de monnaie sont bien assises et le toc à rochet en place avec son ressort raccordé (voir Figure 8).

Assurez-vous que le bloc de dimension de pièce de monnaie approprié est en place.

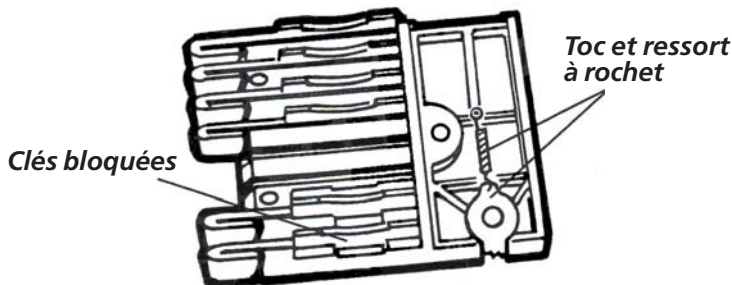
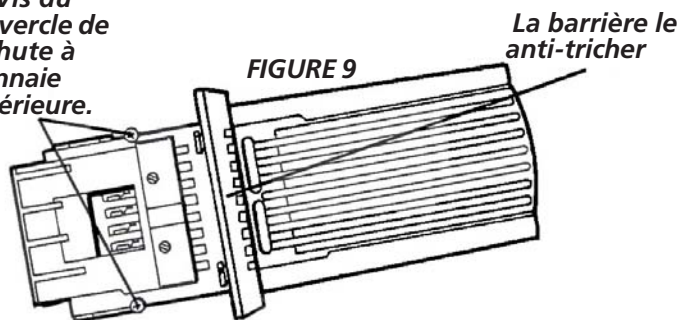


FIGURE 8

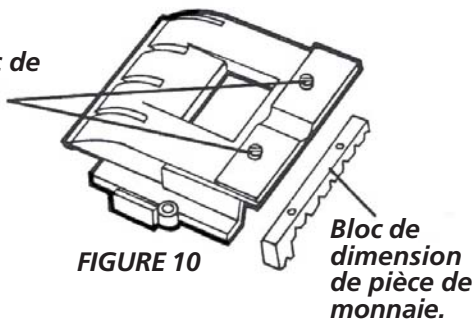
#### Changer un bloc de dimension de pièce de monnaie :

- Démontez les deux vis fixant le couvercle supérieur de la chute à monnaie. Retirez le couvercle (voir Figure 9).

(2) Vis du couvercle de la chute à monnaie supérieure.



(2) Vis de bloc de dimension de pièce de monnaie.



- Démontez les deux vis fixant le bloc de dimension de pièce de monnaie au couvercle supérieur de la chute à monnaie (voir Figure 10).
- Posez le nouveau bloc de dimension de pièce de monnaie. Replacez et serrez les vis de montage.
- Replacez le couvercle de la chute à monnaie. Réinsérez et serrez les vis.

#### ÉTAPE 7

##### Replacez le bloc de la cuvette à monnaie dans la glissière:

- Tenez le côté droit de la cuvette à monnaie vers le haut dans la paume de votre main.
- Abaissez la glissière à monnaie jusqu'à ce que le bloc de cuvette à monnaie s'insère dans la cavité de la glissière à monnaie. ATTENTION : Ne délogez pas le toc et le ressort à rochet.
- Tenez le bloc à cuvette à monnaie en place avec vos doigts et tournez la glissière sens dessus dessous.
- Insérez et serrez les vis.

#### ÉTAPE 8

Posez la glissière dans la chute à monnaie. La glissière ne peut être insérée que si la gâchette anti-vol dans la bride est poussée à gauche (voir Figure 9).

#### ÉTAPE 9

Reposez l'arrêt de la glissière à monnaie à l'aide des deux vis. Replacez le ressort de retour de glissière à monnaie. Replacez le rallonge de glissière à monnaie à l'aide des deux vis (assurez-vous que les entretoises sont en place).

#### ÉTAPE 10

Reposez le mécanisme de glissière à monnaie dans le boîtier du compteur. Replacez et serrez le boulon de montage de la glissière à monnaie.

**NOTA :** Il peut être plus facile d'insérer le boulon de montage de la glissière à monnaie si vous démontez temporairement la minuterie des vis de montage.

## PIÈCES DE RECHANGE

Pour obtenir des pièces de rechange pour la sècheuse, contacter le magasin d'où vient la sècheuse. **Pour les pièces de boîte à monnaie, appelez le 1-800-221-0982, Greenwald Industries.**

**ATTENTION** Lors de tout travail d'entretien ou de réparation des commandes, étiqueter tous les câbles avant de les débrancher. Les erreurs de connexion de câble peuvent entraîner un fonctionnement incorrect et dangereux. Une fois la réparation ou l'entretien terminé, assurez-vous que l'appareil fonctionne correctement.

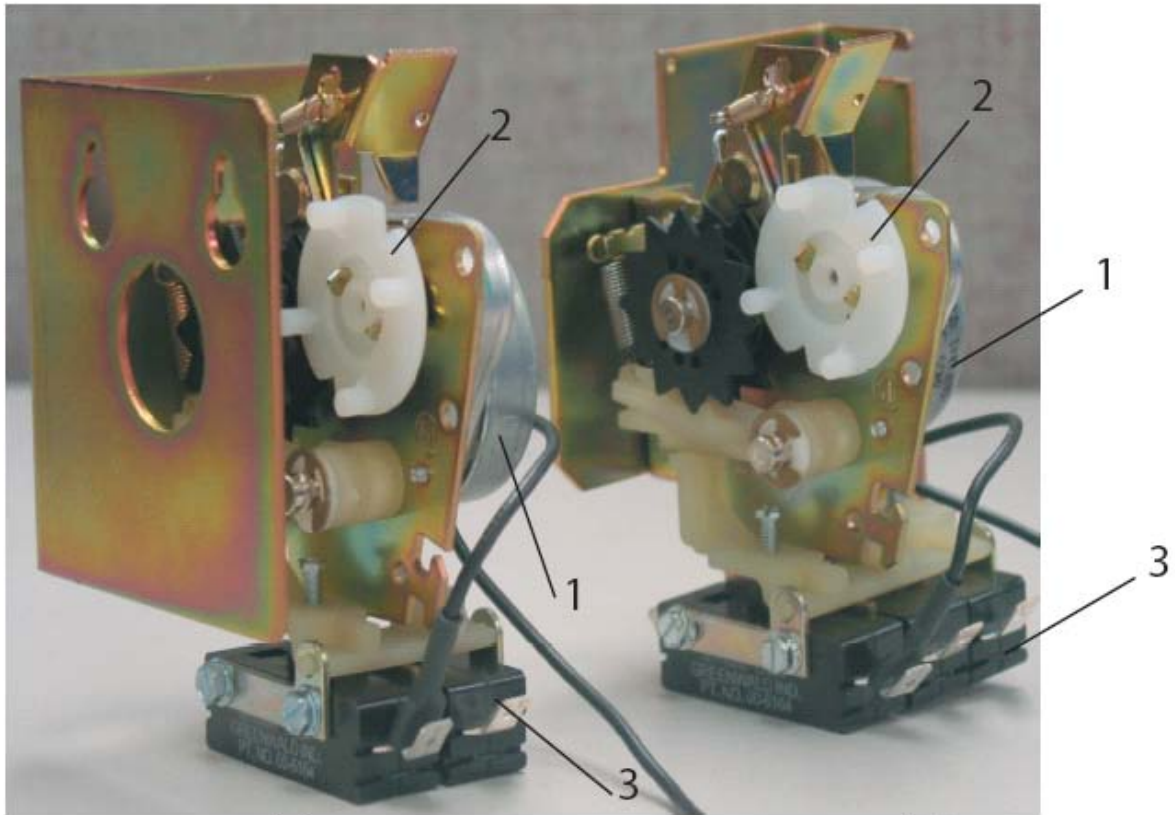
**AVERTISSEMENT** Détruire le carton et les sacs en plastique après avoir déballé la sècheuse. Des enfants risqueraient de s'en servir comme jouet. Les cartons recouverts d'un tapis, d'un couvre-lit ou d'une feuille de plastique peuvent former une chambre étanche et faire suffoquer un enfant. Placer le matériel d'emballage dans une poubelle ou les mettre hors de portée des enfants.

**AVERTISSEMENT** Les directives qui figurent dans cette notice et dans les autres documents qui accompagnent la sècheuse ne sauraient couvrir toutes les circonstances et les situations possibles. **IL FAUT** donc faire preuve de jugement et de prudence pendant l'installation, l'utilisation et l'entretien de tout appareil électroménager.



# Instructions et liste de pièces pour le boîtier du compteur

## Liste de pièces pour les minuteriers de sècheuse Greenwald

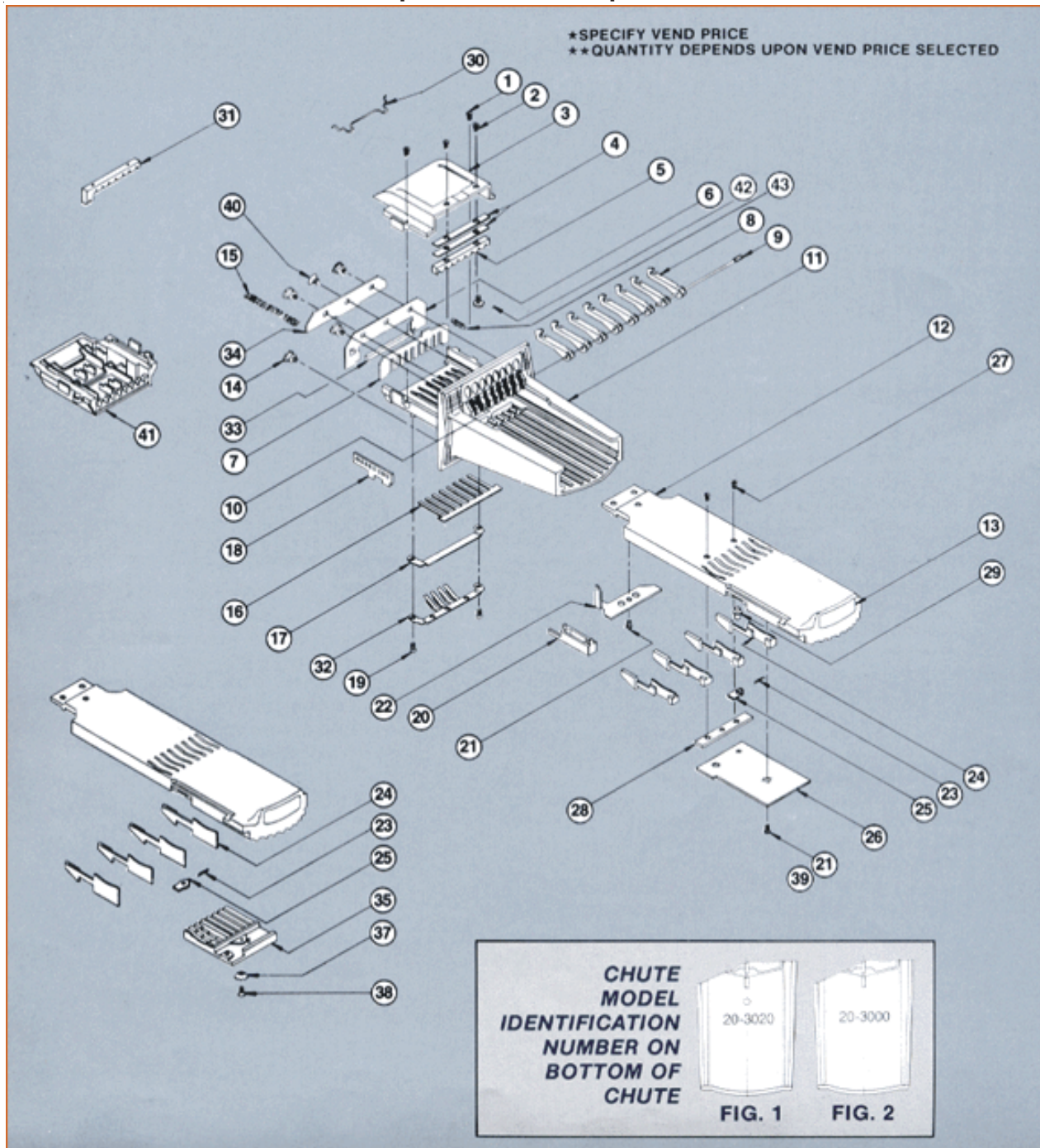


**Modèle d'assemblage  
de minuterie  
50-1232-9**

**Modèle d'assemblage  
de minuterie  
50-1223-10**

ITEM	PART NUMBER	DESCRIPTION
1	50-61-13-2	Moteur d'étalonnage, 115VAC, 1/180RPM.
2	51-161-4	Came d'étalonnage, 4-BROCHES
3	00-6164	(45 Minutes)* Interrupteur
*Cames supplémentaires disponibles. Il est possible de tirer ou pousser les cames pour les remplacer.	51-161-1	Came d'étalonnage,1-PIN (180 Minutes)
	51-161-2	Came d'étalonnage,2-PIN (90 Minutes)
	51-161-3	Came d'étalonnage,3-PIN (60 Minutes)
	51-161-5	Came d'étalonnage,5-PIN (36 Minutes)
	51-161-6	Came d'étalonnage,6-PIN (30 Minutes)
	51-161-7	Came d'étalonnage,7-PIN (25.7 Minutes)
	51-161-8	Came d'étalonnage,8-PIN (22.5 Minutes)
	51-161-9	Came d'étalonnage,9-PIN (20 Minutes)
	51-161-10	Came d'étalonnage,10-PIN (18 Minutes)
	51-161-11	Came d'étalonnage,11-PIN (16.3 Minutes)
	51-161-12	Came d'étalonnage,12-PIN (15 Minutes)

## Liste des pièces Liste des pièces V8



### Liste des pièces V8

DESCRIPTION	REQ	20-3020	20-3000	DESCRIPTION	REQ	20-3020	20-3000	DESCRIPTION	REQ	20-3020	20-3000
1 VIS (MÉTRIQUE)	2	00-9724	00-7924	16 RESSORT	1	20-2040	20-2001	31 BLOC DE DIMENSION DE PIÈCE DE MONNAIE		20-3007	20-3007
2 VIS (MÉTRIQUE)	2	00-7938	00-7938	17 PROTECTEUR DE RESSORT	1	20-2038	20-2007				
3 DESSUS DE BOITIER	1	20-3019	20-3002	18 SUPPORT	1	20-2023	20-2005	32 ASSEMBLAGE DE RESSORT DE PRESSION	Opt.	20-1012	20-1012
4 CALE	2	20-2042		19 VIS (MÉTRIQUE)	2	00-7931	00-7931				
5 BLOC DE DIMENSION DE PIÈCE DE MONNAIE	1	20-3006	20-3006	20 LANGUETTE 10 ¢ variable		20-3023	20-5001	33 AIMANT	Opt.	00-9256	00-9256
6 COUVERCLE DE GÂCHETTE	1	20-2043	20-2006	21 VIS (MÉTRIQUE)	2	00-7923	00-7929	34 PLAQUE DE PROTECTION	Opt.	20-2045	20-2045
7 GÂCHETTE	1	20-2035	20-2000	22 ARRÊT DE GLISSIÈRE	1	20-2039	20-2004	35 BLOC DE CUVETTE À MONNAIE	1		20-2003
8 BUTÉE D'ARRÊT DE GLISSIÈRE	8	20-2011	20-2011	23 TOC À ROCHET DE RESSORT	1	00-8123	00-8123	37 RONDELLE FREIN	1		00-7934
9 TIGE DE BUTÉE	1	20-4004	20-4000	24 BLOQUEUR DE CLÉ, variable		20-5002	20-2010	38 VIS (MÉTRIQUE)	1		00-7933
10 DÉCALQUE, MOULAGE	1	00-9905	00-9905	25 TOC À ROCHET DE GLISSIÈRE	1	20-2041	20-2008	39 VIS (MÉTRIQUE)	1		00-7932
11 MOULAGE DU CORPS	1	20-3020	20-3000	26 COUVERCLE DE COMPARTIMENT DE RANGEMENT		20-2037	20-2003	40 VIS		00-7541	00-7541
12 GLISSIÈRE DE MONNAIE	1	20-3021		27 VIS (MÉTRIQUE)	2	00-7935		41 ASSEMBLAGE DE BOITIER SUPÉRIEUR		20-1103-1	20-1104-1
13 DÉCALQUE, GLISSIÈRE	1	00-9104	00-9104	28 AMORTISSEUR	1	20-2034					
14 VIS DE RÉPÉRAGE DE CHUTE	4	00-7483	61-55	29 TIGE DE TOC À ROCHET	1	20-4005					
15 RESSORT DE RETOUR DE GLISSIÈRE	1	00-8148	00-8148	30 CUVETTE À MONNAIE, OPT.		00-8168					



## Service à la clientèle.

---



### Site Web appareils électroménagers GE

[electromenagersge.ca](http://electromenagersge.ca)

Vous avez une question ou vous avez besoin d'aide pour votre appareil électroménager? Contactez-nous par Internet au site [electromenagersge.ca](http://electromenagersge.ca) 24 heures par jour, tous les jours de l'année.



### Service de réparations

1.800.561.3344

Service de réparations GE est tout près de vous.  
Pour faire réparer votre électroménager GE, il suffit de nous téléphoner.



### Studio de conception réaliste

Sur demande, GE peut fournir une brochure sur l'aménagement d'une cuisine pour les personnes à mobilité réduite.

Écrivez: Directeur, Relations avec les consommateurs, Camco, Inc.  
Bureau 310, 1 Factory Lane  
Moncton, N.B. E1C 9M3

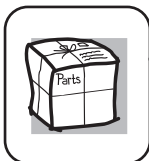


### Prolongation de garantie

[electromenagersge.ca](http://electromenagersge.ca)

Achetez un contrat d'entretien GE avant que votre garantie n'expire et bénéficiez d'un rabais substantiel. Ainsi le service après-vente GE sera toujours là après expiration de la garantie.

Visitez notre site Web ou appelez-nous au 1.800.461.3636.



### Pièces et accessoires

Ceux qui désirent réparer eux-mêmes leurs électroménagers peuvent recevoir pièces et accessoires directement à la maison (cartes VISA et MasterCard acceptées).

Les directives stipulées dans le présent manuel peuvent être effectuées par n'importe quel utilisateur. Les autres réparations doivent généralement être effectuées par un technicien qualifié. Soyez prudent, car une réparation inadéquate peut affecter le fonctionnement sécuritaire de l'appareil.

Vous trouverez dans les pages jaunes de votre annuaire le numéro du Centre de service Camco le plus proche. Autrement, appelez-nous au 1.800.661.1616.



### Contactez-nous

Si vous n'êtes pas satisfait du service après-vente dont vous avez bénéficié :

Premièrement, communiquez avec les gens qui ont réparé votre appareil.

Ensuite, si vous n'êtes toujours pas satisfait envoyez tous les détails—numéro de téléphone compris—au

Directeur, Relations avec les consommateurs, Camco, Inc.  
Bureau 310, 1 Factory Lane  
Moncton, N.B. E1C 9M3



### Inscrivez votre appareil électroménager

[electromenagersge.ca](http://electromenagersge.ca)

Inscrivez votre appareil électroménager en direct, aussitôt que possible. Cela améliorera nos communications et notre service après-vente. Vous pouvez également nous envoyer par la poste le formulaire d'inscription joint à votre documentation.



## Free Manuals Download Website

<http://myh66.com>

<http://usermanuals.us>

<http://www.somanuals.com>

<http://www.4manuals.cc>

<http://www.manual-lib.com>

<http://www.404manual.com>

<http://www.luxmanual.com>

<http://aubethermostatmanual.com>

Golf course search by state

<http://golfingnear.com>

Email search by domain

<http://emailbydomain.com>

Auto manuals search

<http://auto.somanuals.com>

TV manuals search

<http://tv.somanuals.com>