



# Dryers

**Safety Instructions** ..... 2-5

**Operating Instructions**

Control Panels ..... 6-9  
Cycle Options .....10, 11  
Dryer Features .....11  
Reversing the Door Swing ....12-16  
Loading and Using  
the Dryer .....17, 18  
Venting the Dryer .....19  
Stacking .....20-23

**Troubleshooting Tips** ....24-26

**Consumer Support**

Warranty ..... 27  
Consumer Support ..... 28

**Owner's Manual**

DBVH520  
DCVH640  
DCVH680  
DHDVH68  
GFDN100  
GFDN110

**Write the model and serial numbers here:**

**Model #** \_\_\_\_\_

**Serial #** \_\_\_\_\_

They are on the label on the front of the dryer behind the door.

## IMPORTANT SAFETY INFORMATION. READ ALL INSTRUCTIONS BEFORE USING.

### **⚠ WARNING!**

*For your safety, the information in this manual must be followed to minimize the risk of fire or explosion, electric shock, or to prevent property damage, personal injury, or death.*

- *Do not store or use gasoline or other flammable vapors and liquids in the vicinity of this or any other appliance.*
- *Installation and service must be performed by a qualified installer, service agency or the gas supplier.*

### **WHAT TO DO IF YOU SMELL GAS:**

- 1** *Do not try to light a match, or cigarette, or turn on any gas or electrical appliance.*
- 2** *Do not touch any electrical switch; do not use any phone in your building.*
- 3** *Clear the room, building or area of all occupants.*
- 4** *Immediately call your gas supplier from a neighbor's phone. Follow the gas supplier's instructions carefully.*
- 5** *If you cannot reach your gas supplier, call the fire department.*

#### *California Safe Drinking Water and Toxic Enforcement Act*

This act requires the governor of California to publish a list of substances known to the state to cause cancer, birth defects or other reproductive harm and requires businesses to warn customers of potential exposure to such substances.

Gas appliances can cause minor exposure to four of these substances, namely benzene, carbon monoxide, formaldehyde and soot, caused primarily by the incomplete combustion of natural gas or LP fuels.

Properly adjusted dryers will minimize incomplete combustion. Exposure to these substances can be minimized further by properly venting the dryer to the outdoors.



## PROPER INSTALLATION

This dryer must be properly installed and located in accordance with the Installation Instructions before it is used. If you did not receive an Installation Instructions sheet, you can receive one by visiting [GEAppliances.com](http://GEAppliances.com), or by calling **800.GE.CARES** (800.432.2737).

- Properly ground dryer to conform with all governing codes and ordinances. Follow details in Installation Instructions.
- Install or store where it will not be exposed to temperatures below freezing or exposed to the weather.
- Connect to a properly rated, protected and sized power supply circuit to avoid electrical overload.
- Remove the colored protective film from both the control panel and the door.
- Remove all sharp packing items and dispose of all shipping materials properly.
- Do not remove the vent protector from the back of the dryer (on some models).
- Pull the protector out and down to its lowest position and connect the exhaust duct to the dryer. The lowered protector will prevent the duct from getting crushed (on some models).

### Exhaust/Ducting:

- 1 Dryers **MUST** be exhausted to the outside to prevent large amounts of moisture and lint from being blown into the room.
- 2 Use only rigid metal or flexible metal 4" diameter ductwork inside the dryer cabinet or for exhausting to the outside. **USE OF PLASTIC OR OTHER COMBUSTIBLE DUCTWORK CAN CAUSE A FIRE. PUNCTURED DUCTWORK CAN CAUSE A FIRE IF IT COLLAPSES OR BECOMES OTHERWISE RESTRICTED IN USE OR DURING INSTALLATION.**

For complete details, follow the Installation Instructions.

## IMPORTANT SAFETY INFORMATION. READ ALL INSTRUCTIONS BEFORE USING.

### ⚠ WARNING!



#### YOUR LAUNDRY AREA

- Keep the area underneath and around your appliances free of combustible materials (lint, paper, rags, etc.), gasoline, chemicals and other flammable vapors and liquids.
- Keep the floor around your appliances clean and dry to reduce the possibility of slipping.
- Close supervision is necessary if this appliance is used by or near children. Do not allow children to play on, with or inside this or any other appliance.
- Keep all laundry aids (such as detergents, bleaches, etc.) out of the reach of children, preferably in a locked cabinet. Observe all warnings on container labels to avoid injury.
- Never climb on or stand on the dryer top.



#### WHEN USING YOUR DRYER

- Never reach into the dryer while the drum is moving. Before loading, unloading or adding clothes, wait until the drum has completely stopped.
- Clean the lint filter before each load to prevent lint accumulation inside the dryer or in the room.  
**DO NOT OPERATE THE DRYER WITHOUT THE LINT FILTER IN PLACE.**
- Do not wash or dry articles that have been cleaned in, washed in, soaked in or spotted with combustible or explosive substances (such as wax, oil, paint, gasoline, degreasers, dry-cleaning solvents, kerosene, etc.) which may ignite or explode. Do not add these substances to the wash water. Do not use or place these substances around your washer or dryer during operation.
- Do not place items exposed to cooking oils in your dryer. Items contaminated with cooking oils may contribute to a chemical reaction that could cause a clothes load to catch fire.
- Any article on which you have used a cleaning solvent or that contains flammable materials (such as cleaning cloths, mops, towels used in beauty salons, restaurants or barber shops, etc.) must not be placed in or near the dryer until solvents or flammable materials have been removed. There are many highly flammable items used in homes such as acetone, denatured alcohol, gasoline, kerosene, some household cleaners, some spot removers, turpentine, waxes, wax removers and products containing petroleum distillates.
- The laundry process can reduce the flame retardancy of fabrics. To avoid such a result, carefully follow the garment manufacturer's care instructions.
- Do not dry articles containing rubber, plastic, foam or similar materials such as padded bras, tennis shoes, galoshes, bath mats, rugs, bibs, baby pants, plastic bags, pillows, etc., that may melt or burn. Some rubber materials, when heated, can under certain circumstances produce fire by spontaneous combustion.
- Do not store plastic, paper or clothing that may burn or melt on top of the dryer during operation.
- Garments labeled *Dry Away from Heat* or *Do Not Tumble Dry* (such as life jackets containing kapok) must not be put in your dryer.
- Do not dry fiberglass articles in your dryer. Skin irritation could result from the remaining particles that may be picked up by clothing during subsequent dryer uses.
- To minimize the possibility of electric shock, unplug this appliance from the power supply or disconnect the dryer at the building's distribution panel by removing the fuse or switching off the circuit breaker before attempting any maintenance or cleaning (except the removal and cleaning of the lint filter). **NOTE:** Pressing **START**, **STOP** or **POWER** does **NOT** disconnect the appliance from the power supply.



## WHEN USING YOUR DRYER (cont.)

- Never attempt to operate this appliance if it is damaged, malfunctioning, partially disassembled, or has missing or broken parts, including a damaged cord or plug.
- The interior of the machine and the exhaust duct connection inside the dryer should be cleaned at least once a year by a qualified technician. See the *Loading and Using the Dryer* section.
- If yours is a gas dryer, it is equipped with an automatic electric ignition and does not have a pilot light. **DO NOT ATTEMPT TO LIGHT WITH A MATCH.** Burns may result from having your hand in the vicinity of the burner when the automatic ignition turns on.
- You may wish to soften your laundered fabrics or reduce the static electricity in them by using a dryer-applied fabric softener or an anti-static conditioner. We recommend you use either a fabric softener in the wash cycle, according to the manufacturer's instructions for those products, or try a dryer-added product for which the manufacturer gives written assurance on the package that their product can be safely used in your dryer. Service or performance problems caused by use of these products are the responsibility of the manufacturers of those products and are not covered under the warranty to this appliance.



## WHEN NOT USING YOUR DRYER

- Grasp the plug firmly when disconnecting this appliance to avoid damage to the cord while pulling. Place the cord away from traffic areas so it will not be stepped on, tripped over or subjected to damage.
- Do not attempt to repair or replace any part of this appliance or attempt any servicing unless specifically recommended in this Owner's Manual or in published user-repair instructions that you understand and have the skills to carry out.
- Before discarding a dryer, or removing it from service, remove the dryer door to prevent children from hiding inside.
- Do not tamper with controls.

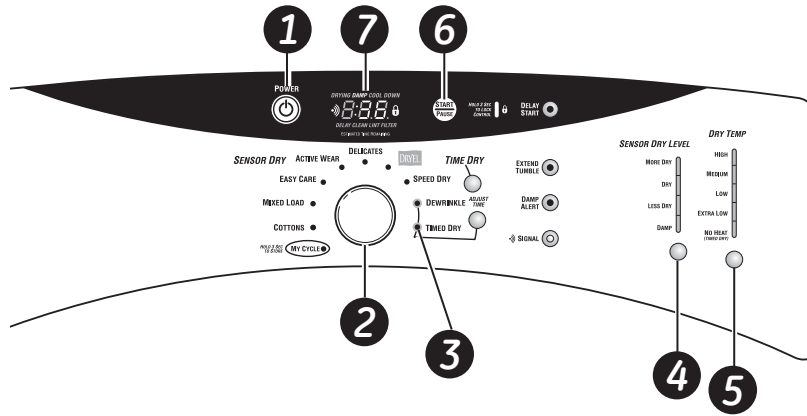


**READ AND FOLLOW THIS SAFETY INFORMATION CAREFULLY.  
SAVE THESE INSTRUCTIONS**

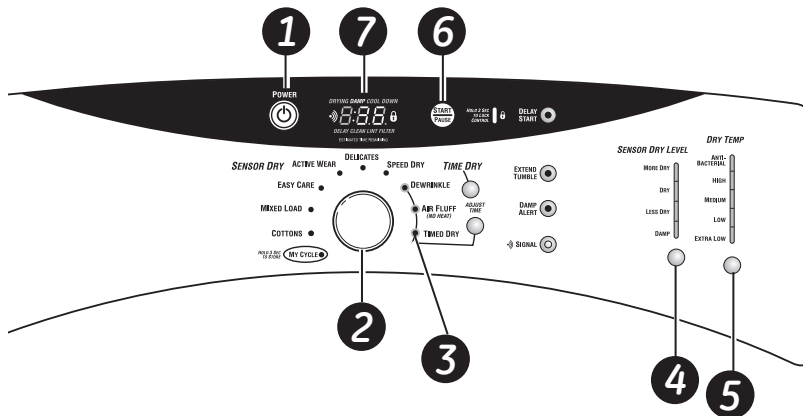
# About the dryer control panel.

You can locate your model number at the top inside of the door opening.

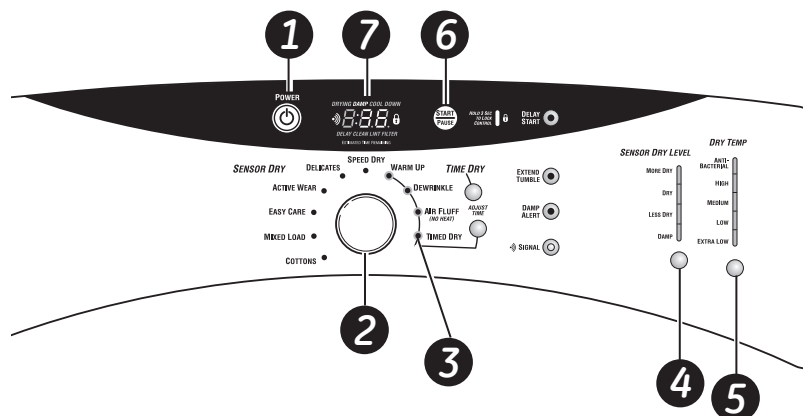
Model DHDVH68



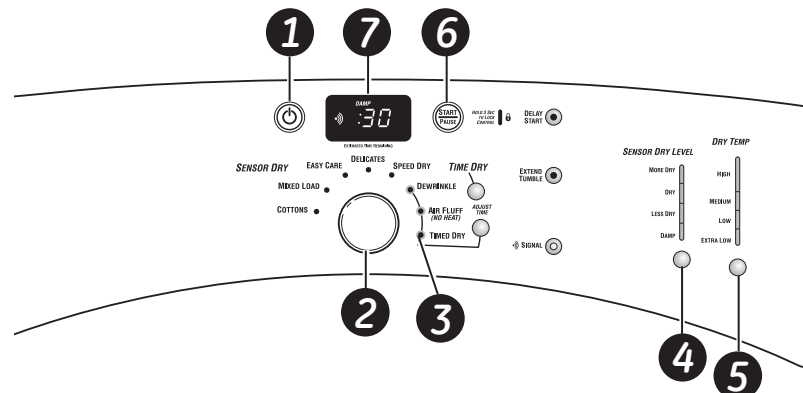
Model DCVH680

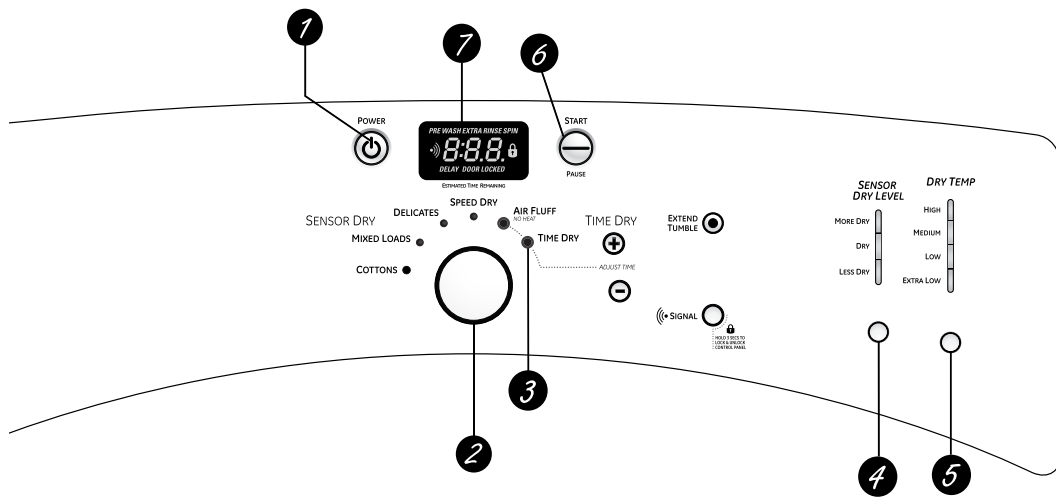


Model DCVH640



Model DBVH520





- 1 Power**  
Press to “wake up” the display. If the display is active, press to put the dryer in the standby mode.

**NOTE:** Pressing **POWER** does not disconnect the appliance from the power supply.

- 2 Dry Cycles**  
The dry cycle controls the length and tumble speed of the drying process. The chart below will help you match the dry setting with the loads.

#### Sensor Cycles

|   |  |
|---|--|
| <b>COTTONS</b>                                | For cottons and most linens.   |
| <b>MIXED LOAD</b>                             | For loads consisting of cottons and poly-blends.   |
| <b>EASY CARE</b><br><i>(on some models)</i>   | For wrinkle-free and permanent press items.  |
| <b>ACTIVE WEAR</b><br><i>(on some models)</i> | Clothing worn for active sports exercise and some casual wear. Fabrics include new technology finishes and stretch fibers such as Spandex.   |
| <b>DELICATES</b>                              | For lingerie and special-care fabrics.   |
| <b>DRYEL™</b>                                 | Designed for use with the DRYEL™ “dry clean only” fabric care system. See product package for directions. For questions or issues related to use and performance of DRYEL™, see the Website at: <a href="http://www.dryel.com">www.dryel.com</a> . |
| <b>SPEED DRY</b>                              | For small loads that are needed in a hurry, such as sports or school uniforms. Can also be used if the previous cycle left some items damp, such as collars or waistbands.   |

#### Timed Dry Cycles

|   |   |
|---|---|
| <b>DEWRINKLE</b><br><i>(on some models)</i> | For removing wrinkles from items that are dry or slightly damp. This cycle is not recommended for delicate fabrics. |
| <b>WARM UP</b>                              | Provides 10 minutes of warming time to warm up clothes.   |
| <b>AIR FLUFF</b>                            | Use this feature to tumble items without heat.  |

#### My Cycle *(on some models)*

|                 |   |
|-----------------|---|
| <b>MY CYCLE</b> | Press to use, create or modify custom dry cycles. |
|-----------------|---|

- 3 Timed Dry**  
Use to set your own dry time. **TIMED DRY** is also recommended for small loads.

#### To use **TIMED DRY**:

1. Turn dry cycle dial to **TIMED DRY**.
2. Select the drying time by pressing the + and – buttons.
3. Select the **DRY TEMP**.
4. Close the door.
5. Press **START**.

- 4 Sensor Dry Level**  
The sensor continuously monitors the amount of moisture in the load. When the moisture in your clothes reaches your selected dry level, the dryer will stop.

|  |  |
|--|--|
| <b>MORE DRY</b>                        | Use for heavy or mixed type of fabrics.  |
| <b>DRY</b>                             | Use for normal dryness level suitable for most loads. This is the preferred cycle for energy saving. |
| <b>LESS DRY</b>                        | Use for lighter fabric (ideal for ironing).  |
| <b>DAMP</b><br><i>(on some models)</i> | For leaving items partially damp.  |



## About the dryer control panel.

### 5 Dry Temp

You can change the temperature of your dry cycle.

**ANTI-BACTERIAL** (on some models) This option may only be used with **COTTONS** or **MIXED LOAD** cycles. This option reduces certain types of bacteria by 99.9%, including: *Staphylococcus aureus*, *Pseudomonas aeruginosa* and *Klebsiella pneumoniae*\*. The anti-bacterial process occurs when high heat is used during a portion of this drying cycle.

**NOTE:** Do not use this cycle on delicate fabrics.

\* The Anti-Bacterial Cycle is Certified by NSF International (formerly National Sanitation Foundation) to NSF Protocol P154 Sanitization Performance of Residential Clothes Dryers.



NSF Protocol P154  
Sanitization Performance of  
Residential Clothes Dryers

|                                    |   |
|------------------------------------|---|
| <b>HIGH</b>                        | For regular to heavy cottons.                                       |
| <b>MEDIUM</b>                      | For synthetics, blends and items labeled permanent press.           |
| <b>LOW</b>                         | For delicates, synthetics and items labeled <i>Tumble Dry Low</i> . |
| <b>EXTRA LOW</b>                   | For lingerie and special-care fabrics.                              |
| <b>NO HEAT</b><br>(on some models) | Can only be used with <b>TIMED DRY</b> .                            |


### 6 START

Press to start a dry cycle. If the dryer is running, press it once and it will pause the dryer. Press it again to restart the dry cycle.

#### **My Cycle** (on some models)

Set up your favorite combination of settings and save them here for one touch recall. These custom settings can be set while a cycle is in progress.

#### **To store a MY CYCLE combination of settings:**

1. Select your drying cycle.
2. Change **DRY TEMP** and **SENSOR DRY LEVEL** settings to fit your needs.
3. Select any drying **OPTIONS** you want.
4. Press and hold the  pad for three seconds to store your selection. A beep will sound and the pad will light up.

#### **To recall your stored MY CYCLE combination:**

Press the **MY CYCLE** button before drying a load.

#### **To change your stored MY CYCLE combination:**

Follow steps 1-4 in "**To store a MY CYCLE combination of settings**".

### 7 "CLEAN LINT FILTER" (message)

(This message represents only a reminder.)

After the **POWER** button is pressed, the "**CLEAN LINT FILTER**" message could appear if the previous cycle was not finished.

This message will disappear after the **START** button is pressed. Even though you have already cleaned the filter (before or after the **POWER** button has been pressed), the "**CLEAN LINT FILTER**" message will still be displayed until the **START** button is activated.

# About cycle options.

**NOTE:** Not all features are available on all dryer models.

GEAppliances.com

EXTEND  
TUMBLE



## Extend Tumble

Minimizes wrinkles by adding approximately 60 minutes of no-heat tumbling after clothes are dry. The beeper will sound every 2 minutes to remind you to remove the clothes. The **ESTIMATED TIME REMAINING** display will show **00**.

DAMP  
ALERT



## Damp Alert (on some models)

This option causes the dryer to beep when clothes have dried to a damp level. Remove items that you wish to hang dry. The **DAMP ALERT** will only beep when this option is selected.

Removing clothes and hanging them when they are damp can reduce the need to iron some items.

SIGNAL



## Signal

Alerts you that the cycle is complete. The beeper will continue to sound every two minutes for the next 6 minutes, until the clothes have been removed. The clothes should be removed when the beeper goes off so wrinkles don't set in.

Press **SIGNAL** to select low, medium or high volume, or to turn the beeper off.

DELAY  
START



## Delay Start (on some models)

Use to delay the start of your dryer.

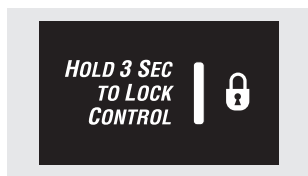
1. Choose your dry cycle and any options.
2. Press **DELAY START**. You can change the delay time in 1 hour increments using the + or - arrow pads.
3. Press the **START** pad to start the countdown.

The countdown time will be shown in the **ESTIMATED TIME REMAINING** display.

### NOTES:

- If the door is opened while the dryer is in **DELAY**, the countdown time will not restart unless the door is closed and **START** has been pressed again.
- You can delay the start of a dry cycle up to 18 hours for models DCVH640, DCVH680, DHDVH68 and up to 10 hours for model DBVH520.

## About cycle options. *NOTE: Not all features are available on all dryer models.*



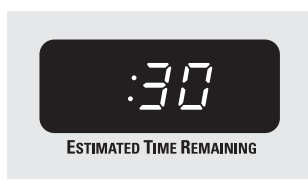
### Lock

You can lock the controls to prevent any selections from being made. Or you can lock the controls after you have started a cycle.

*Children cannot accidentally start the dryer by touching pads with this option selected.*

To lock the dryer, press and hold the lock icon for 3 seconds. To unlock the dryer, press and hold the lock icon for 3 seconds.

The icon of the lock next to the timer will light up when the controls are locked.



### Estimated Time Remaining

Displays the approximate time remaining until the end of the cycle.

As the cycle begins, you will see an initial approximate total cycle time in the display. Then lights will "race" in the display. This means the dryer is continuously monitoring

the amount of moisture in the load. The lights will continue until the dryer senses a low level of moisture in the load. At that point, the dryer will calculate and display the approximate time remaining.



### My Cycle *(on some models)*

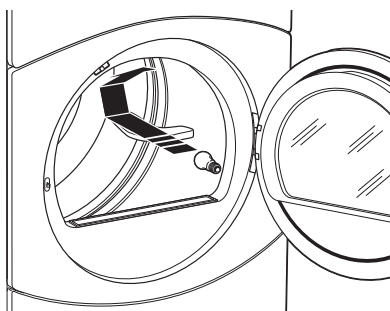
To save a favorite cycle, set the desired settings and hold down the **MY CYCLE** button for 3 seconds. A beep will sound to indicate the cycle has been saved.

To use your custom cycle, press the **MY CYCLE** button before drying a load.

To change the saved cycle, set the desired settings and hold down the **MY CYCLE** button for 3 seconds.

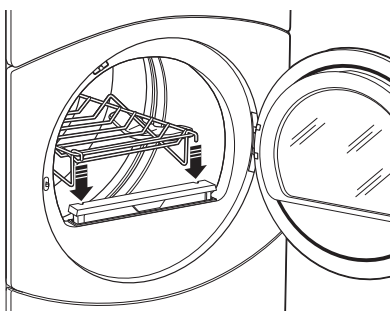
See page 8 for more details.

## About dryer features.



### Drum Lamp

Before replacing the light bulb, be sure to unplug the dryer power cord or disconnect the dryer at the household distribution panel by removing the fuse or switching off the circuit breaker. Reach above dryer opening from inside the drum. Remove the bulb and replace with the same size bulb.



### Drying Rack *(on some models)*

A handy drying rack may be used for drying delicate items such as washable sweaters. Place items flat on the drying rack and block such items as wool sweaters and delicate fabrics. Dry with low heat.

To install the drying rack, pull up the lint filter slightly. Insert the drying rack into the slots, then push the filter back down.

#### NOTE:

- The drying rack must be used with the **TIMED DRY** or **RACK DRY** *(on some models)* cycles.
- Do not use this drying rack when there are other clothes in the dryer.

# Reversing the door swing.

GEAppliances.com

## IMPORTANT NOTES:

- Read the instructions all the way through before starting.
- Handle parts carefully to avoid scratching paint.
- Set screws down by their related parts to avoid using them in the wrong places.
- Provide a non-scratching work surface for the doors.
- Normal completion time to reverse the door swing is 30–60 minutes.

**IMPORTANT:** Once you begin, do not move the cabinet until door-swing reversal is completed.

These instructions are for changing the hinges from the right side to the left side—if you ever want to switch them back to the right side, follow these same instructions and reverse all references to the left and right.

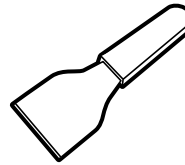
## TOOLS YOU WILL NEED



Adjustable Crescent Wrench

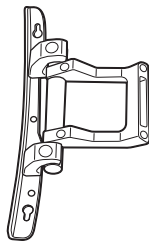


Phillips Head Screwdriver



Putty Knife or  
Thin-Blade  
Screwdriver

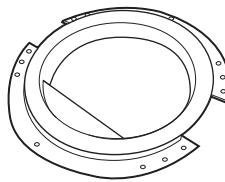
## DOOR PARTS



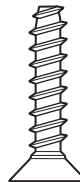
Hinge Assembly



Hinge  
Cover



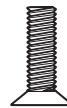
Plastic Cover



Large Tapping  
Screw (#10) – 6



Tapping Screw (#8) – 2



Machine Screw (#8) – 6

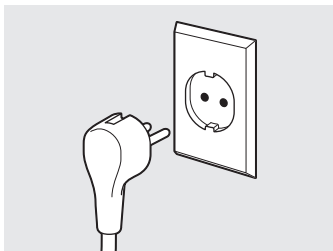


Nut (#8) – 2



Washer – 2

## STEP-BY-STEP INSTRUCTIONS



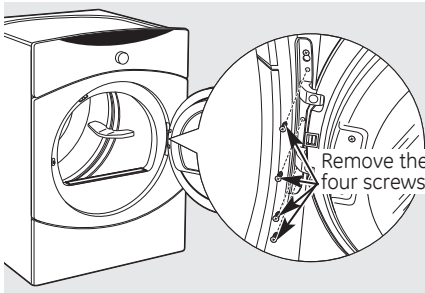
### Before You Start

1. Unplug the dryer from its electrical outlet.

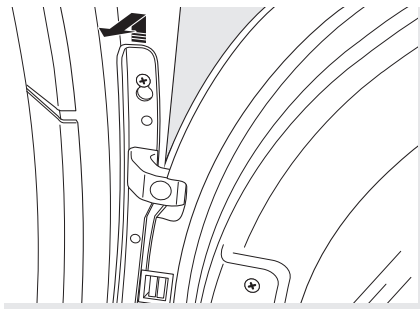
# Reversing the door swing.

## STEP-BY-STEP INSTRUCTIONS (cont.)

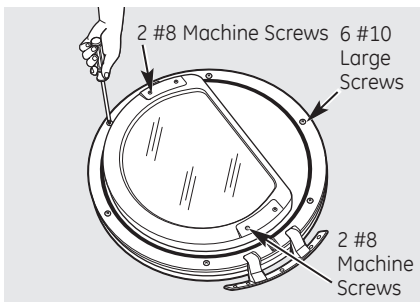
### Remove Door Assembly



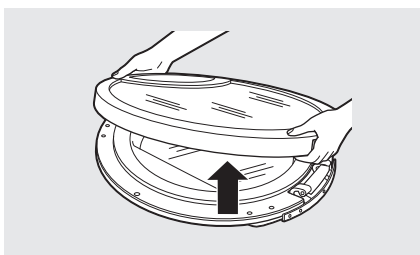
2. Open the door to approximately 90 degrees. Remove the 4 screws starting from the bottom to the top. Make sure the door is supported while removing the screws.



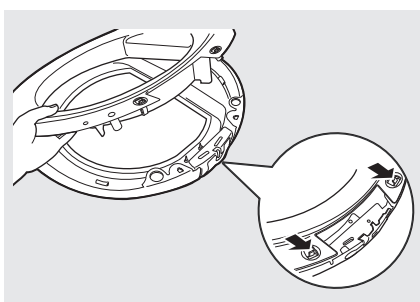
3. Loosen the top screw as shown. Unhook the door by lifting and pulling as shown by the arrows.
4. Lay the door down on a soft protected flat surface so that the inner part faces upward (door resting on the handle side).



5. Remove the 6 large tapping screws (#10) located around the perimeter of the door outlining the gasket, and the 2 machine screws (#8) on the hinge side.



6. With the screws removed, turn the door over and separate the silver cover part of the door from the door frame and set aside.



7. Unlock the 4 tabs on the plastic cover and separate the plastic cover from the frame.

**NOTE:** Disregard the "DO NOT REMOVE" label on the plastic cover.

## STEP-BY-STEP INSTRUCTIONS (cont.)

Safety Instructions

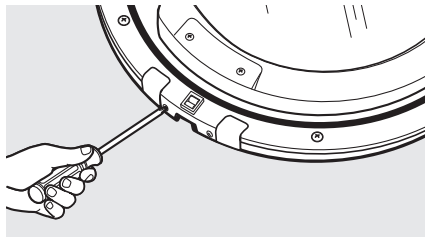
Operating Instructions

Troubleshooting Tips

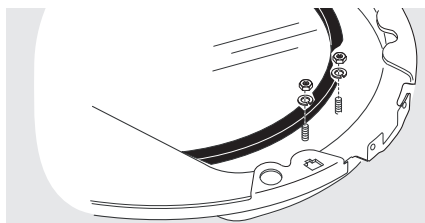
Consumer Support

### Remove Hinge

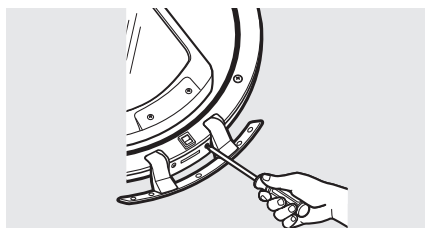
**IMPORTANT:** Note the location of the hinge (left or right) before removing.



8. With the door frame part of the door laid down on a protected soft surface, remove the hinge cover by removing the 2 tapping screws (#8) that fasten it to the frame. The hinge cover is located at the opposite side of the hinge assembly.

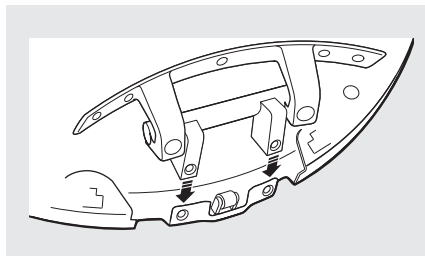


9. Remove the 2 nuts, washers and the 2 machine screws (#8).

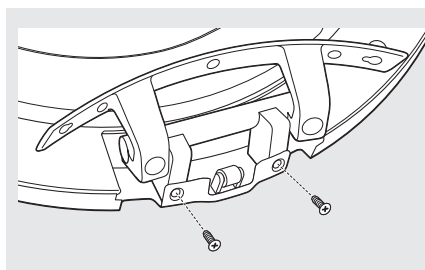


10. Remove the hinge assembly by removing the 2 machine screws (#8) that fasten it to the frame. Pull the hinge assembly out and set it aside.

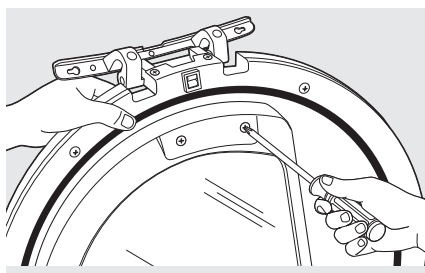
### Reinstall Hinge Assembly



11. Place the hinge assembly in the opposite side of the door. Align the hinge holes with the door holes.



12. Loosely fasten the hinge assembly to the edge using 2 machine screws (#8).

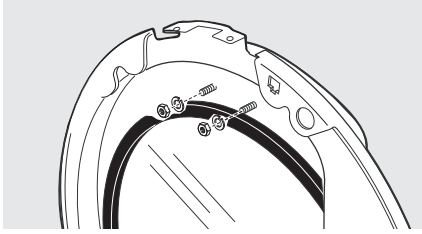


13. Hold the door on its side with one hand and fasten the remaining 2 screws as shown. Then tighten the 2 screws (#8) holding the hinge assembly.

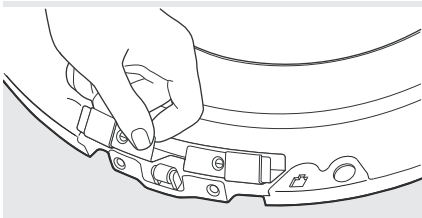
# Reversing the door swing.

## STEP-BY-STEP INSTRUCTIONS (cont.)

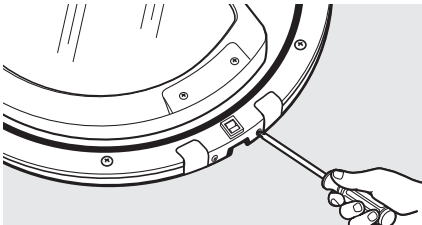
### Reinstall Nuts and Hinge Cover



14. Place the door on its edge. Assemble the 2 machine screws (#8), washers and nuts. Tighten using a wrench and screwdriver.



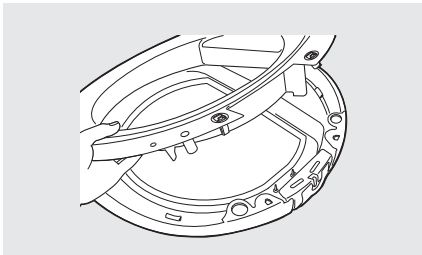
15. Place the hinge cover in position. Align the hinge cover holes with the holes in the door.



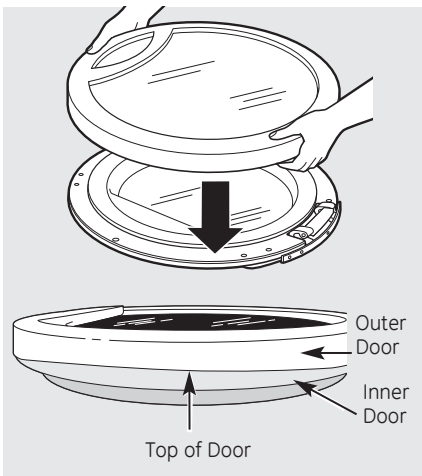
16. Secure the hinge cover with the 2 tapping screws (#8).

### Reassemble Door Assembly

**IMPORTANT:** Make sure there is no dirt or any other foreign material in between the window panes.



17. Place the plastic cover onto the inner door and lock in place with the 4 tabs.



18. Place the outer door onto the inner door.

## STEP-BY-STEP INSTRUCTIONS (cont.)

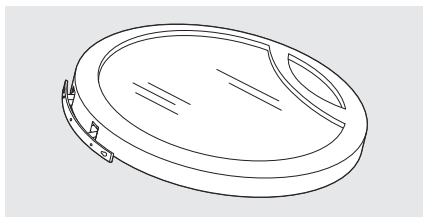
Safety Instructions

Operating Instructions

Troubleshooting Tips

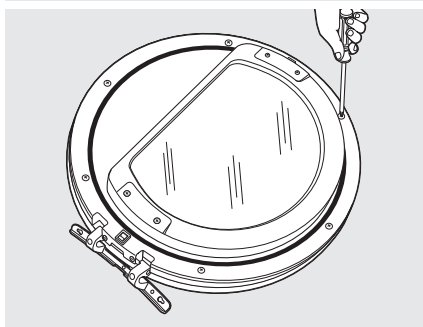
Consumer Support

### Reassemble Door Assembly (cont.)



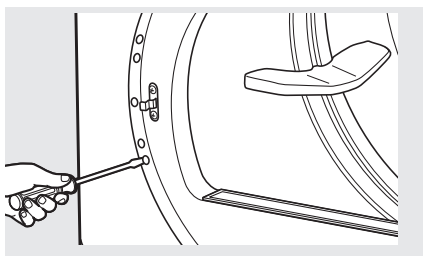
19. After reversing door, there will be a mismatch between the outer door and the inner door.

Make sure that the handle part of the outer door is opposite the hinge, as shown.

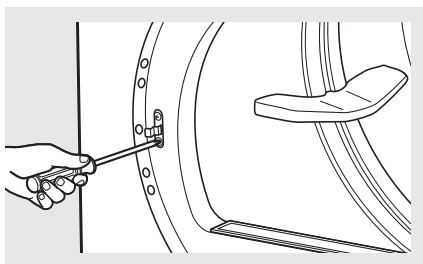


20. Turn the door over and fasten the outer door to the inner door using the 6 large tapping screws (#10).

### Move Strike Bracket

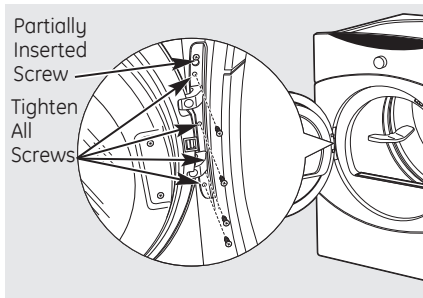


21. Using a putty knife or any other flat tool, remove the 5 plastic screw caps located on the dryer where the door will be installed and install them on the opposite side.



22. Switch the strike bracket and its cover on the opposite side by removing the screws; then reinstall both on the opposite side.

### Reinstall Door Assembly



23. The door is now ready to be installed on the dryer. To ease this step, the hinge has keyholes that allow a partially fastened screw to be used as a hook.

Partially fasten a screw to the uppermost screw hole. Hook the door on the partially fastened screw.

Fasten the hinge by installing the other 4 screws and tightening the partially fastened screw above.



# Loading and using the dryer.

Always follow the fabric manufacturer's care label when laundering.



## Fabric Care Labels

Below are fabric care label "symbols" that affect the clothing you will be laundering.

### WASH LABELS

|  |                 |                                       |                     |                                      |             |              |
|--|-----------------|---------------------------------------|---------------------|--------------------------------------|-------------|--------------|
| <b>Machine wash cycle</b>                  |                 |                                       |                     |                                      |             |              |
|  | Normal          | Permanent Press/<br>wrinkle resistant | Gentle/<br>delicate | Hand wash                            | Do not wash | Do not wring |
| <b>Front load target water temperature</b> | <b>Category</b> | <b>Target Water Temperature</b>       |                     | <b>Automatic Temperature Control</b> |             |              |
|  | Tap Cold        | Inlet Water Temperature               |                     | Not used                             |             |              |
|  | Cold            | 27°C/80°F                             |                     | Used                                 |             |              |
|  | Warm            | 40°C/105°F                            |                     | Used                                 |             |              |
|  | Hot             | 50°C/120°F                            |                     | Used                                 |             |              |
| Sanitize                                   | 70°C/160°F      |                                       | Used                |                                      |             |              |

### DRY LABELS

|                   |                     |                             |                                       |                     |                   |  |  |  |
|-------------------|---------------------|-----------------------------|---------------------------------------|---------------------|-------------------|--|--|--|
| <b>Tumble dry</b> |                     |                             |                                       |                     |                   |  |  |  |
|                   | Dry                 | Normal                      | Permanent Press/<br>wrinkle resistant | Gentle/<br>delicate | Do not tumble dry | Do not dry<br>(used with<br>do not wash) |  |  |
|                   | <b>Heat setting</b> |                             |                                       |                     |                   |  |  |  |
|                   |                     | High                        | Medium                                | Low                 | No heat/air       |  |  |  |
|                   |                     | <b>Special instructions</b> |                                       |                     |                   |  |  |  |
|                   |                     |                             | Line dry/<br>hang to dry              | Drip dry            | Dry flat          | In the shade                             |  |  |

### BLEACH LABELS

|                       |                             |   |               |
|-----------------------|-----------------------------|---|---------------|
| <b>Bleach symbols</b> |                             |   |               |
|                       | Any bleach<br>(when needed) | Only non-chlorine bleach<br>(when needed) | Do not bleach |



## Sorting and Loading Hints

As a general rule, if clothes are sorted properly for the washer, they are sorted properly for the dryer. Try also to sort items according to size. For example, do not dry a sheet with socks or other small items.

Do not add fabric softener sheets once the load has become warm. They may cause fabric softener stains. Bounce® Fabric Conditioner Dryer Sheets have been approved for use in all GE Dryers when used in accordance with the manufacturer's instructions.

**Do not overload.** This wastes energy and causes wrinkling.

**Do not dry the following items:** fiberglass items, woolens, rubber-coated items, plastics, items with plastic trim and foam-filled items.

Always follow the fabric manufacturer's care label when laundering.

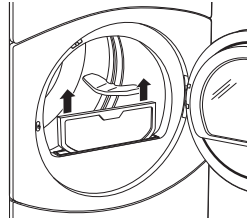


## Care and Cleaning of the Dryer

**The Exterior:** Wipe or dust any spills or washing compounds with a damp cloth. Dryer control panel and finishes may be damaged by some laundry pretreatment soil and stain remover products. Apply these products away from the dryer. The fabric may then be washed and dried normally. Damage to your dryer caused by these products is not covered by your warranty.

**The Lint Filter:** Clean the lint filter before each use.

Pull out the lint filter. Moisten your fingers and remove the captured lint. Once clean, slide the filter back into position. Have a qualified technician vacuum the lint from the dryer once a year.



**NEVER OPERATE THE DRYER WITHOUT ITS FILTER IN PLACE.**

**The Exhaust Duct:** Inspect and clean the exhaust ducting at least once a year to prevent clogging. A partially clogged exhaust can lengthen the drying time.

Follow these steps:

- 1 Turn off electrical supply by disconnecting the plug from the wall socket.
- 2 Disconnect the duct from the dryer.
- 3 Vacuum the duct with the hose attachment and reconnect the duct.

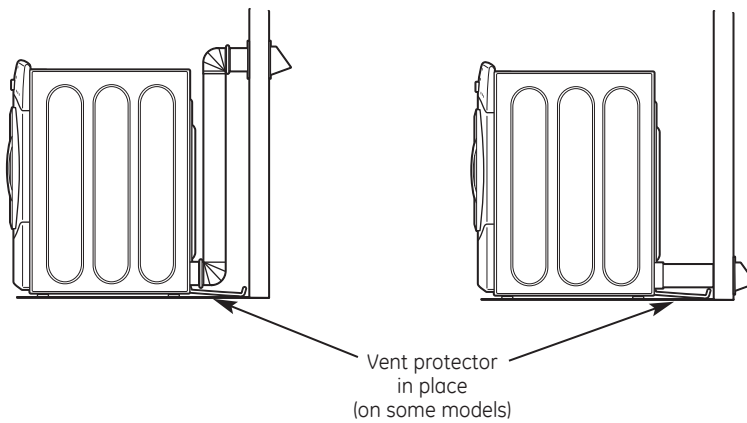
**The Exhaust Hood:** Check with a mirror that the inside flaps of the hood move freely when operating. Make sure that there is no wildlife (birds, insects, etc.) nesting inside the duct or hood.

## Venting the dryer.

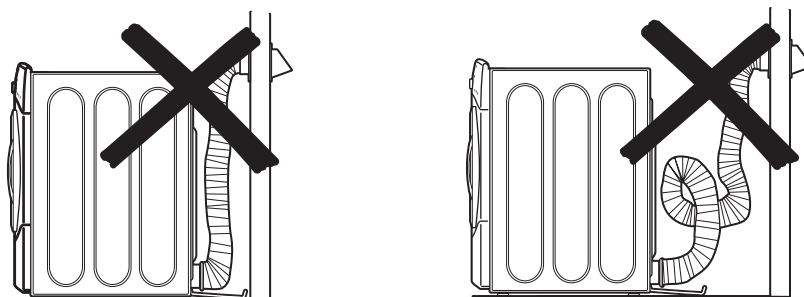
For the best drying performance, the dryer needs to be properly vented. **The dryer will use more energy and run longer if it is not vented to the below specifications. Carefully follow the details on Exhausting in the Installation Instructions.**

- Use only rigid metal 4" diameter ductwork inside the dryer cabinet and for exhausting to the outside.
- Do not use plastic or other combustible ductwork.
- Use the shortest length possible.
- Do not crush, kink or collapse the duct.
- Avoid resting the duct on sharp objects.
- **Venting must conform to local building codes.**
- Do not remove the vent protector from the back of the dryer (on some models).
- Flip the protector down to its lowest position and connect the exhaust duct to the dryer. The lowered protector will prevent the duct from getting crushed (on some models).

**Correct Venting**



**Incorrect Venting**



## BEFORE YOU BEGIN

Read these instructions completely and carefully.

- **IMPORTANT:** Save these instructions for local electrical inspector's use.
- **IMPORTANT:** Observe all governing codes and ordinances.
- **Note to Installer** – Be sure to leave these instructions with the Consumer.
- **Note to Consumer** – Keep these instructions for future reference.
- Installation **must** be performed by a qualified installer.
- Proper installation is the responsibility of the installer.

## FOR YOUR SAFETY

### **⚠ WARNING!**

- Electric Shock Hazard. Disconnect power before installing. Failure to do so could result in serious injury or death.
- **Potential Personal Injury. More than two people are recommended to lift the dryer into position because of its weight and size. Failure to do so could result in personal injury or death.**
- Avoid Tipping and Rupture of Utility Services. Dryer must be securely attached to the washer. DO NOT place the washer on top of the dryer. Failure to do so could result in personal injury/death or property damage.
- Mobile Home or Manufactured Home Installation – Stacking of a gas dryer is not permitted in a mobile home or manufactured home.

## MINIMUM CLEARANCE OTHER THAN ALCOVE OR CLOSET INSTALLATION

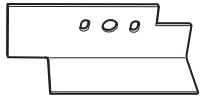
Minimum clearance to combustible surfaces and for air opening are: 0" both sides and 1" rear. Consideration must be given to provide adequate clearance for installation and service.

## ALCOVE OR CLOSET INSTALLATION

- If your dryer is approved for installation in an alcove or closet, it will be stated on a label on the dryer back.
- The dryer MUST be vented to the outdoors. Refer to dryer Installation Instructions for details.
- Minimum clearance between dryer cabinet and adjacent walls or other surfaces is:  
0" either side  
3" front and rear
- Minimum vertical space from floor to overhead cabinets, ceiling, etc. is 43" without pedestal, 55" with pedestal and 84" stacked.
- Closet doors must be louvered or otherwise ventilated and must contain a minimum of 60 square inches of open area equally distributed. If the closet contains both a washer and a dryer, doors must contain a minimum of 120 square inches of open area equally distributed.

# Stacking.

## KIT CONTENTS



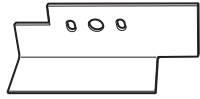
Right Hand Bracket



4 Rubber Pads



4 #12 x 1" Screws

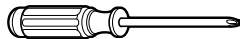


Left Hand Bracket

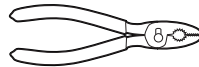


4 #8 x 1/2" Screws

## TOOLS YOU WILL NEED



Phillips Screwdriver



Pliers



Gloves



Open-Ended Wrench



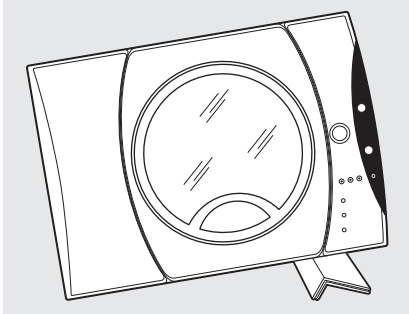
Level

## INSTALLATION PREPARATION

Remove the packaging.

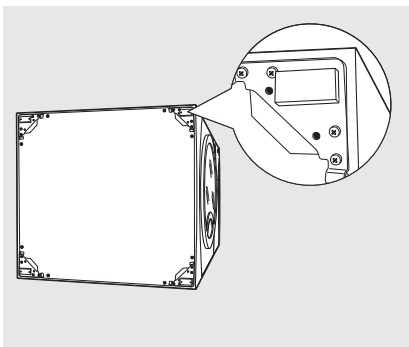
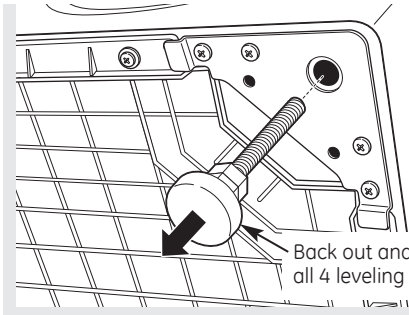
Flatten the product carton to use as a pad to lay the dryer down on its side. Continue using the carton to protect the finished floor in front of the installation location.

## INSTALLING THE STACK BRACKET KIT



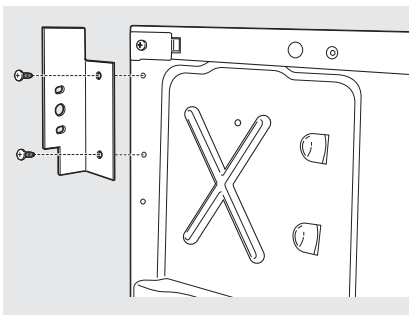
### 1. Remove the Dryer Leveling Legs

- A. Carefully lay the dryer on its side. Use the packing material so you don't scratch the finish on the dryer.
- B. Use an open-end wrench or pliers to remove the dryer leveling legs.



### 2. Install Rubber Pads to Dryer Base

Locate the 4 rubber pads in the parts package. Remove the adhesive backing and firmly place over on the bracket where you removed the leveling legs.



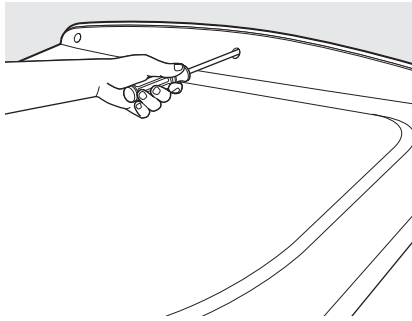
### 3. Install Bracket to Dryer

- A. Align the holes in the left bracket with the holes in the bottom left corner of the dryer. Use a Phillips screwdriver to install the 2 #12 x 1" tapping screws.
- B. Repeat the above step with the right bracket on the bottom right corner of the dryer.
- C. Set the dryer upright.

**NOTE:** Make sure to set the dryer on a piece of packing material so the brackets that are attached to the bottom of the dryer do not damage the floor.

## Stacking.

### INSTALLING THE STACK BRACKET KIT (cont.)

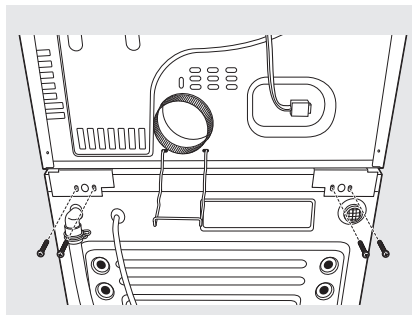


#### 4. Prepare the Washer and Dryer

- A. Place the washer in the approximate location.
- B. Make sure the washer is level. Refer to washer Installation Instructions for details.
- C. Remove the back portion of the control panel by removing the 3 screws.

- D. Reverse dryer door swing if desired. See dryer Installation Instructions for details.

**NOTE:** The washer door swing is not reversible.

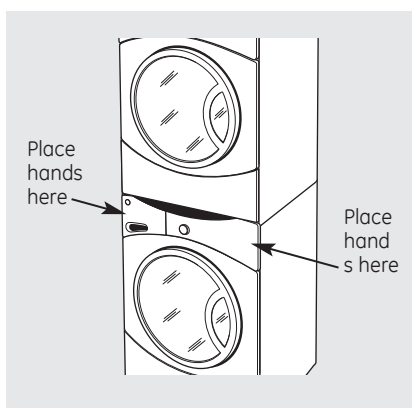


#### 5. Install Dryer and Bracket on Washer

- A. Lift the dryer on top of the washer. Be careful not to scratch the top of the washer with the brackets. Protect the washer control panel with cardboard or other protection. Be sure to lift the dryer high enough to clear the washer control panel.
- B. Align the holes in the bracket with the holes in the back of the washer. Using a Phillips screwdriver, attach the 2 #8 x 1/2" tapping screws. Repeat on both sides of the washer.

### **! WARNING!**

**Potential Personal Injury. More than two people are recommended to lift the dryer into position because of its weight and size. Failure to do so could result in personal injury or death.**



#### 6. Finalize the Installation

- A. Refer to the washer Installation Instructions to complete the washer installation.
- B. Refer to the dryer Installation Instructions to complete the dryer installation.
- C. Carefully slide or walk the stacked washer and dryer into place. Use felt pads or other sliding device to assist moving and to protect flooring.

### **! WARNING!**

**Potential Personal Injury. Do not push on the dryer once installed to top of the washer. Pushing on the dryer may result in pinched fingers.**

## Before you call for service...

GEAppliances.com



*Troubleshooting Tips*  
Save time and money! Review the charts on the following pages, or visit [GEAppliances.com](http://GEAppliances.com). You may not need to call for service.

| PROBLEM   | Possible Causes  | What To Do  |
|---|--|---|
| Dryer shakes or makes noise                             | Some shaking/noise is normal. Dryer may be sitting unevenly            | <ul style="list-style-type: none"> <li>Move dryer to an even floor space, or adjust leveling legs as necessary until even.</li> </ul>   |
| Clothes take too long to dry                            | Improper or obstructed ducting   | <ul style="list-style-type: none"> <li>Check the Installation Instructions to make sure the dryer venting is correct.</li> <li>Make sure ducting is clean, free of kinks and unobstructed.</li> <li>Check to see if outside wall damper operates easily.</li> </ul> |
|   | Improper sorting   | <ul style="list-style-type: none"> <li>Separate heavy items from lightweight items (generally, a well-sorted washer load is a well-sorted dryer load).</li> </ul>   |
|   | Large loads of heavy fabrics (like beach towels)                       | <ul style="list-style-type: none"> <li>Large, heavy fabrics contain more moisture and take longer to dry. Separate large, heavy fabrics into smaller loads to speed drying time.</li> </ul>   |
|   | Controls improperly set  | <ul style="list-style-type: none"> <li>Match control settings to the load you are drying.</li> </ul>  |
|   | Lint filter is full  | <ul style="list-style-type: none"> <li>Clean lint filter before every load.</li> </ul>  |
|   | Blown fuses or tripped circuit breaker                                 | <ul style="list-style-type: none"> <li>Replace fuses or reset circuit breakers. Since most dryers use 2 fuses/breakers, make sure both are operating.</li> </ul>  |
|   | Overloading/combining loads  | <ul style="list-style-type: none"> <li>Do not put more than one washer load in the dryer at a time.</li> </ul>  |
| The DRY dryness level was chosen but load is still damp | Underloading   | <ul style="list-style-type: none"> <li>If you are drying only one or two items, add a few items to ensure proper tumbling.</li> </ul>   |
|   | Load consists of a mixture of heavy and light fabrics                  | <ul style="list-style-type: none"> <li>When combining heavy and light fabrics in a load, choose <b>MORE DRY</b>.</li> </ul>   |
| Control pads not responding                             | Exhaust system is blocked  | <ul style="list-style-type: none"> <li>Inspect and clean exhaust system.</li> </ul>   |
|   | Controls accidentally put in service mode                              | <ul style="list-style-type: none"> <li>Press <b>STOP</b>.</li> </ul>  |
|   | Controls accidentally put in lock mode                                 | <ul style="list-style-type: none"> <li>Hold the <b>LOCK</b> button for 3 seconds to unlock the dryer.</li> </ul>  |
| Dryer doesn't start                                     | Controls performed an incorrect operation                              | <ul style="list-style-type: none"> <li>Reset the in-house breaker.</li> </ul>   |
|   | Control panel is "asleep"  | <ul style="list-style-type: none"> <li>This is normal. Press <b>POWER</b> to activate the control panel.</li> </ul>   |
|   | Dryer is unplugged   | <ul style="list-style-type: none"> <li>Make sure the dryer plug is pushed completely into the outlet.</li> </ul>  |
|   | Fuse is blown/circuit breaker is tripped                               | <ul style="list-style-type: none"> <li>Check the building's fuse/circuit breaker box and replace fuse or reset breaker. <b>NOTE:</b> Electric dryers use two fuses or breakers.</li> </ul>  |
| No numbers displayed during cycle, only lights          | Dryer was accidentally paused when starting Delay Start                | <ul style="list-style-type: none"> <li>If the light on the <b>DELAY START</b> pad is flashing, the dryer is paused. Press <b>START</b> to restart the countdown.</li> </ul>   |
|   | Dryer is continuously monitoring the amount of moisture in the clothes | <ul style="list-style-type: none"> <li>This is normal. When the dryer senses a low level of moisture in the load, the dryer will display the dry time remaining.</li> </ul>   |



## Before you call for service...

| PROBLEM   | Possible Causes   | What To Do  |
|---|---|---|
| Time Remaining jumped to a lower number                     | The estimated time may change when a smaller load than usual is drying  | <ul style="list-style-type: none"> <li>This is normal.</li> </ul>   |
| Cannot make a selection and the dryer beeps twice           | The <b>DRYNESS LEVEL</b> , <b>TEMP</b> or <b>OPTION</b> that you are trying to select is incompatible with the chosen dry cycle | <ul style="list-style-type: none"> <li>This is normal.</li> </ul>   |
| Dryer is running but 00 is displayed in Time Remaining      | The <b>EXTEND TUMBLE</b> option was chosen  | <ul style="list-style-type: none"> <li>This is normal. During extended tumbling, the time remaining is not displayed. The extended tumbling option lasts approximately 20 minutes.</li> </ul>   |
| Clean Lint Filter (message)                                 | <b>POWER</b> button was activated   | <ul style="list-style-type: none"> <li>Press <b>START</b> to begin a dry cycle and the message will disappear.</li> </ul>   |
| Dryer doesn't heat  | Fuse is blown/circuit breaker is tripped; the dryer may tumble but not heat   | <ul style="list-style-type: none"> <li>Check the building's fuse/circuit breaker box and replace both fuses or reset both breakers. Your dryer may tumble if only one fuse is blown or one breaker tripped.</li> </ul>                  |
|   | Gas service is off  | <ul style="list-style-type: none"> <li>Make sure gas shutoff at dryer and main shutoff are fully open.</li> </ul>   |
|   | LP gas supply tank is empty or there has been a utility interruption of natural gas (gas models)                                | <ul style="list-style-type: none"> <li>Refill or replace tank. Dryer should heat when utility service is restored.</li> </ul>   |
| Inconsistent drying times                                   | Type of heat  | <ul style="list-style-type: none"> <li>Drying time will vary according to the type of heat used. If you recently changed from an electric to a gas (natural or LP) dryer, or vice versa, the drying time could be different.</li> </ul> |
|   | Type of load and drying conditions  | <ul style="list-style-type: none"> <li>The load size, types of fabric, wetness of clothes and the length and condition of the exhaust system will affect drying times.</li> </ul>   |
| Glow at the rear of the drum                                | Heaters behind the drum   | <ul style="list-style-type: none"> <li>This is normal. Under certain drying conditions and room ambient lighting, the glow of the heaters may be visible at the rear of the drum.</li> </ul>  |
| Clothes are still wet and dryer shut off after a short time | The door was opened mid-cycle. The load was then removed from the dryer and a new load put in without selecting a new cycle     | <ul style="list-style-type: none"> <li>A dry cycle must be reselected each time a new load is put in.</li> </ul>  |
|   | Small load  | <ul style="list-style-type: none"> <li>When drying 3 items or less, choose <b>SPEED DRY</b> or <b>TIMED DRY</b>.</li> </ul>   |
|   | Load was already dry except for collars and waistbands  | <ul style="list-style-type: none"> <li>Choose <b>SPEED DRY</b> or <b>TIMED DRY</b> to dry damp collars and waistbands. In the future, when drying a load with collars and waistbands, choose <b>MORE DRY</b>.</li> </ul>                |
|   | Dryer is not level  | <ul style="list-style-type: none"> <li>Move dryer to an even floor space or adjust leveling legs as necessary until even.</li> </ul>  |
| Clothes are wrinkled  | Overdrying  | <ul style="list-style-type: none"> <li>Select a shorter drying time.</li> <li>Remove items while they still hold a slight amount of moisture. Select a <b>LESS DRY</b> or <b>DAMP</b> setting.</li> </ul>                               |
|   | Letting items sit in dryer after cycle ends   | <ul style="list-style-type: none"> <li>Remove items when cycle ends and fold or hang immediately, or use the <b>EXTEND TUMBLE</b> option.</li> </ul>  |
|   | Overloading   | <ul style="list-style-type: none"> <li>Separate large loads into smaller ones.</li> </ul>   |

| <b>PROBLEM</b>  | <b>Possible Causes</b>  | <b>What To Do.</b>   |
|---|---|--|
| <i>Clothes shrink</i>                                   | Some fabrics will naturally shrink when washed. Others can be safely washed, but will shrink in the dryer | <ul style="list-style-type: none"> <li>To avoid shrinkage, follow garment care labels exactly.</li> <li>Some items may be pressed back into shape after drying.</li> <li>If you are concerned about shrinkage in a particular item, do not machine wash or tumble dry it.</li> </ul> |
| <i>Greasy spots on clothes</i>                          | Improper use of fabric softener   | <ul style="list-style-type: none"> <li>Follow directions on fabric softener package.</li> </ul>  |
|   | Drying dirty items with clean ones  | <ul style="list-style-type: none"> <li>Use your dryer to dry only clean items. Dirty items can stain clean items and the dryer.</li> </ul>   |
|   | Clothes were not completely clean   | <ul style="list-style-type: none"> <li>Sometimes stains which cannot be seen when the clothes are wet <i>appear</i> after drying. Use proper washing procedures before drying.</li> </ul>  |
| <i>Lint on clothes</i>                                  | Lint filter is full   | <ul style="list-style-type: none"> <li>Clean lint screen before each load.</li> </ul>  |
|   | Improper sorting  | <ul style="list-style-type: none"> <li>Sort lint producers (like chenille) from lint collectors (like corduroy).</li> </ul>  |
|   | Static electricity can attract lint   | <ul style="list-style-type: none"> <li>See suggestions in this section under <b>STATIC</b>.</li> </ul>   |
|   | Overloading   | <ul style="list-style-type: none"> <li>Separate large loads into smaller ones.</li> </ul>  |
|   | Paper, tissue, etc., left in pockets  | <ul style="list-style-type: none"> <li>Empty all pockets before laundering clothes.</li> </ul>   |
| <i>Static occurs</i>                                    | No fabric softener was used   | <ul style="list-style-type: none"> <li>Try a fabric softener.</li> <li>Bounce® Fabric Conditioner Dryer Sheets have been approved for use in all GE Dryers when used in accordance with the manufacturer's instructions.</li> </ul>  |
|   | Overdrying  | <ul style="list-style-type: none"> <li>Try a fabric softener.</li> <li>Adjust setting to <b>LESS DRY</b> or <b>DAMP</b>.</li> </ul>  |
|   | Synthetics, permanent press and blends can cause static   | <ul style="list-style-type: none"> <li>Try a fabric softener.</li> </ul>   |
| <i>Collars and waistbands still wet at end of cycle</i> | The dryness monitor senses that the body of the clothes is dry  | <ul style="list-style-type: none"> <li>Choose <b>SPEED DRY</b> or <b>TIMED DRY</b> to dry damp collars and waistbands. In the future, when drying a load with collars and waistbands, choose <b>MORE DRY</b>.</li> </ul>   |

# GE Dryer Warranty.



All warranty service provided by our Factory Service Centers, or an authorized Customer Care® technician. To schedule service, on-line, visit us at [GEAppliances.com](http://GEAppliances.com), or call 800.GE.CARES (800.432.2737).

Please have serial number and model number available when calling for service.

Staple your receipt here.  
Proof of the original purchase date is needed to obtain service under the warranty.

## For The Period Of: We Will Replace:

### One Year

From the date of the original purchase

**Any part** of the dryer which fails due to a defect in materials or workmanship. During this **limited one-year warranty**, GE will also provide, **free of charge**, all labor and related service costs to replace the defective part.

## What Is Not Covered:

- Service trips to your home to teach you how to use the product.
- Improper installation, delivery or maintenance.
- Failure of the product if it is abused, misused or used for other than the intended purpose or used commercially.
- Replacement of house fuses or resetting of circuit breakers.
- Damage to the product caused by accident, fire, floods or acts of God.
- Incidental or consequential damage caused by possible defects with this appliance.
- Damage caused after delivery.
- Product not accessible to provide required service.

**EXCLUSION OF IMPLIED WARRANTIES—Your sole and exclusive remedy is product repair as provided in this Limited Warranty. Any implied warranties, including the implied warranties of merchantability or fitness for a particular purpose, are limited to one year or the shortest period allowed by law.**

This warranty is extended to the original purchaser and any succeeding owner for products purchased for home use within the USA. If the product is located in an area where service by a GE Authorized Servicer is not available, you may be responsible for a trip charge or you may be required to bring the product to an Authorized GE Service location for service. In Alaska, the warranty excludes the cost of shipping or service calls to your home.

Some states do not allow the exclusion or limitation of incidental or consequential damages. This warranty gives you specific legal rights, and you may also have other rights which vary from state to state. To know what your legal rights are, consult your local or state consumer affairs office or your state's Attorney General.

**Warrantor: General Electric Company. Louisville, KY 40225**

## Consumer Support.

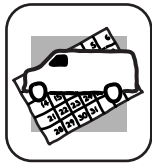
---



### GE Appliances Website

**GEAppliances.com**

Have a question or need assistance with your appliance? Try the GE Appliances Website, any day of the year! For greater convenience and faster service, you can now download Owner's Manuals, order parts or even schedule service on-line.



### Schedule Service

**GEAppliances.com**

Expert GE repair service is only one step away from your door. Get on-line and schedule your service at your convenience any day of the year! Or call 800.GE.CARES (800.432.2737) during normal business hours.



### Real Life Design Studio

**GEAppliances.com**

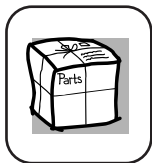
GE supports the Universal Design concept—products, services and environments that can be used by people of all ages, sizes and capabilities. We recognize the need to design for a wide range of physical and mental abilities and impairments. For details of GE's Universal Design applications, including kitchen design ideas for people with disabilities, check out our Website today. For the hearing impaired, please call 800.TDD.GEAC (800.833.4322).



### Extended Warranties

**GEAppliances.com**

Purchase a GE extended warranty and learn about special discounts that are available while your warranty is still in effect. You can purchase it on-line anytime, or call 800.626.2224 during normal business hours. GE Consumer Home Services will still be there after your warranty expires.



### Parts and Accessories

**GEAppliances.com**

Individuals qualified to service their own appliances can have parts or accessories sent directly to their homes (VISA, MasterCard and Discover cards are accepted). Order on-line today, 24 hours every day or by phone at 800.626.2002 during normal business hours.

**Instructions contained in this manual cover procedures to be performed by any user. Other servicing generally should be referred to qualified service personnel. Caution must be exercised, since improper servicing may cause unsafe operation.**



### Contact Us

**GEAppliances.com**

If you are not satisfied with the service you receive from GE, contact us on our Website with all the details including your phone number, or write to:

General Manager, Customer Relations  
GE Appliances, Appliance Park  
Louisville, KY 40225



### Register Your Appliance

**GEAppliances.com**

**Register your new appliance on-line—at your convenience!** Timely product registration will allow for enhanced communication and prompt service under the terms of your warranty, should the need arise. You may also mail in the pre-printed registration card included in the packing material.



# Secadoras

**Instrucciones de seguridad** ..... 2-5

**Instrucciones de operación**  
Paneles de control ..... 6-9  
Opciones de los ciclos ..... 10, 11  
Funciones de la secadora ..... 11  
Cómo cambiar el sentido de apertura de la puerta ..... 12-16  
Cómo cargar y usar la secadora ..... 17, 18  
Ventilación de la secadora ..... 19  
Apilado ..... 20-23

**Consejos para la solución de problemas** ..... 24-26

**Soporte al consumidor**  
Garantía ..... 27  
Soporte al consumidor ..... 28

**Manual del propietario**

- DBVH520
- DCVH640
- DCVH680
- DHDVH68
- GFDN100
- GFDN110

*Escriba el número de modelo y de serie aquí:*

No. de modelo \_\_\_\_\_

No. de serie \_\_\_\_\_

Estos números se encuentran en una etiqueta en la parte delantera de la secadora, detrás de la puerta.

# INFORMACIÓN DE SEGURIDAD IMPORTANTE. LEA TODAS LAS INSTRUCCIONES ANTES DE USAR.

Seguridad

## **⚠ ¡ADVERTENCIA!**

Por su seguridad, debe seguir las indicaciones de este manual para minimizar el riesgo de incendio o explosión, descarga eléctrica, o para evitar daños a la propiedad, lesiones personales o muerte.

- No almacene ni use gasolina u otros vapores y líquidos inflamables en las proximidades de este o cualquier otro electrodoméstico.
- La instalación y el servicio lo deben llevar a cabo un instalador calificado, la agencia de servicio o el proveedor de gas.

## **QUÉ HACER SI USTED HUELE GAS:**

- 1 No intente encender un fósforo, o un cigarrillo, o encender cualquier electrodoméstico eléctrico o de gas.
- 2 No toque ningún interruptor eléctrico; no use ningún teléfono en el edificio.
- 3 Desocupe el habitación, edificio o área afectada.
- 4 Llame inmediatamente a su proveedor de gas usando el teléfono de algún vecino. Siga las instrucciones del proveedor de gas cuidadosamente.
- 5 Si usted no puede ponerse en contacto con su proveedor de gas, llame al departamento de bomberos.

### *Decreto para hacer cumplir las leyes sobre tóxicos y agua potable de California*

Este decreto requiere que el Gobernador de California publique una lista de las sustancias que el estado sabe que causan cáncer, defectos de nacimiento y otros daños reproductivos y requiere que los comerciantes le adviertan a sus consumidores sobre el potencial de exposición a tales sustancias.

Los electrodomésticos de gas pueden causar la exposición a cuatro de estas sustancias, concretamente benceno, monóxido de carbono, formaldehído y hollín, principalmente causados por la combustión incompleta del gas natural o de combustibles LP.

Cuando las secadoras están ajustadas apropiadamente, se minimiza la combustión incompleta. La exposición a estas sustancias puede minimizarse aún más ventilando apropiadamente la secadora hacia el exterior.

Operación

Solucionar problemas

SopORTE al consumidor



## INSTALACIÓN APROPIADA

Antes de usarse, la secadora se debe instalar apropiadamente de acuerdo con las Instrucciones de instalación. Si no recibió una Hoja de instrucciones de instalación, puede obtener una visitando [geappliances.com](http://geappliances.com) o llamando al **800.GE.CARES** (800.432.2737).

- Conecte la secadora a tierra de manera apropiada que cumpla con todos los códigos y ordenanzas reguladoras. Siga con cuidado las Instrucciones de instalación.
- Instálela o almacénela donde no esté expuesta a temperaturas por debajo del punto de congelación o expuesta a la intemperie.
- Conecte a un tomacorriente del tamaño y del calibre apropiados para evitar una sobrecarga eléctrica.
- Remueva la película de protección en color del panel de control y la puerta.
- Remueva todos los objetos de empaquetado y deshágase apropiadamente de todos los materiales de envío.
- No quite el protector de la rejilla de ventilación que se encuentra en la parte posterior de la secadora (en algunos modelos).
- Jale el protector hacia afuera y hacia abajo a su posición más baja y conecte el conducto de escape a la secadora. El protector bajado impedirá que se aplaste el conducto (en algunos modelos).

### Escape/Ductos:

- 1 Las secadoras **DEBEN** contar con escape al exterior para impedir que grandes volúmenes de humedad y pelusa ingresen a la habitación.
- 2 Solamente use ductos de metal rígido o flexible de 4" de diámetro dentro de la secadora o para escape hacia el exterior. **EL USO DE DUCTOS PLÁSTICOS U OTROS DUCTOS DE MATERIALES COMBUSTIBLES PODRÍA CAUSAR UN INCENDIO. LOS DUCTOS PERFORADOS PODRÍAN CAUSAR UN INCENDIO SI COLAPSAN O SI OCURRE ALGUNA OBSTRUCCIÓN DURANTE EL USO O DURANTE LA INSTALACIÓN.**

Para los detalles completos, siga las Instrucciones de instalación.

# INFORMACIÓN DE SEGURIDAD IMPORTANTE. LEA TODAS LAS INSTRUCCIONES ANTES DE USAR.

Seguridad

## ⚠ ¡ADVERTENCIA!



### SU ÁREA DE SECADO

- Mantenga el área debajo y alrededor de sus electrodomésticos libre de materiales combustibles (pelusas, papel, trapos, etc.), gasolina, productos químicos y otros líquidos y vapores inflamables.
- Mantenga el piso alrededor de sus electrodomésticos limpios y secos para reducir la posibilidad de un accidente.
- Supervise a los niños en caso de que ellos usen la secadora o jueguen cerca de ella durante su operación. No permita que los niños jueguen con la secadora, en su interior, sobre ella o ningún otro electrodoméstico.
- Mantenga todos los artículos de limpieza (tales como detergentes y blanqueadores) fuera del alcance de los niños, preferiblemente encerrados en un gabinete. Ponga atención a las advertencias en las etiquetas de los envases para evitar accidentes.
- Nunca trepe ni se ponga de pie sobre la parte superior de la secadora.

Operación



### CUANDO USE SU SECADORA

- Nunca introduzca sus manos en el interior de la secadora mientras el tambor giratorio esté moviéndose. Antes de agregar y sacar ropa, espere hasta que el tambor giratorio se haya detenido.
- Limpie el filtro de pelusa antes de cada carga para evitar la acumulación de pelusa en el interior de la secadora o en la habitación. **NO OPERE LA SECADORA SIN EL FILTRO DE PELUSA EN SU LUGAR.**
- No lave ni seque artículos que se hayan limpiado, lavado, remojado o salpicado con sustancias combustibles o explosivas (tales como cera, aceite, pintura, gasolina, desengrasadores, solventes de tintorería, kerosene). Estas sustancias producen vapores que podrían incendiarse o explotar. No agregue estas sustancias al agua de lavado. No use ni coloque estas sustancias alrededor de la lavadora o secadora durante su uso.
- No coloque artículos expuestos a aceite de cocinar en la secadora. Los artículos contaminados con aceites de cocinar podrían contribuir a formar una reacción química que podría causar que una carga de ropas se incendie.
- Cualquier artículo sobre el cual usted usó un solvente de limpieza o que contenga materiales inflamables (tales como paños de limpieza, trapeadores, toallas usadas en salones de belleza, restaurantes o barberías) no se deben colocar en el interior o en las proximidades de la secadora. Existen muchos artículos inflamables en el hogar tales como la acetona, el alcohol, la gasolina, el kerosene, algunos limpiadores, algunos quitamanchas, aguarrás, trementina, ceras, removedores de cera y productos que contengan derivados del petróleo.
- El proceso de lavado puede reducir la habilidad de retardar la flamabilidad de algunas telas. Para evitar tal resultado, siga las instrucciones del fabricante de las telas con mucho cuidado.
- No seque artículos que contengan goma, plástico, espuma o materiales similares tales como sostenes (brasieres) con relleno, zapatos deportivos, ganchos de goma, alfombras de baño, baberos de niño, pantalones de niño, bolsas plásticas y almohadas que se puedan derretir o quemar. Algunos materiales gomosos, cuando se calientan, bajo ciertas circunstancias podrían incendiarse por combustión espontánea.
- Durante su operación, no almacene encima de la secadora plásticos, papel o ropa que se puedan quemar o derretir.
- Las prendas de vestir etiquetadas "Dry away from heat" (Secar alejadas del calor) o "Do not tumble dry" (No secar por giro)—tales como chaquetas salvavidas que contienen capoc—no se deben colocar en su secadora.
- No seque artículos de fibra de vidrio en su secadora. Esto podría ocasionar irritación en la piel debido a las partículas restantes que se podrían adherir a la ropa durante usos subsecuentes de la secadora.
- Para minimizar la posibilidad de una descarga eléctrica, desconecte éste electrodoméstico de su tomacorriente o desconecte la secadora del panel de distribución eléctrica del edificio removiendo el fusible o desconectando el circuito antes de dar cualquier tipo de mantenimiento o limpieza (con la excepción de remover y limpiar el filtro de la pelusa). **NOTA:** Presionar **START**, **STOP** o **POWER NO** desconecta el electrodoméstico del tomacorriente.

Solucionar problemas

Soporte al consumidor





## CUANDO USE SU SECADORA (cont.)

- Nunca intente operar éste electrodoméstico si está dañado, si no funciona bien, si está parcialmente desarmado, o si le faltan partes o éstas están rotas, incluyendo daños al cable eléctrico.
- El interior de la máquina y la conexión del tubo de escape en el interior de la secadora se deben limpiar por lo menos una vez al año por parte de un técnico calificado. Ver la sección *Cómo cargar y usar la secadora*.
- Si su secadora es de gas, ésta está equipada con un encendido eléctrico automático y no necesita una luz piloto. **NO INTENTE ENCENDERLA CON UN FÓSFORO.** Podrían resultar quemaduras por tener su mano en las cercanías del quemador cuando el encendido eléctrico automático comience.
- Es posible que usted desee suavizar su ropa o reducir la electricidad estática en ella usando una toalla suavizante para secadora o un acondicionador antiestático. Recomendamos que usted use un suavizante de telas en el ciclo de lavado, de acuerdo con las instrucciones del fabricante para estos productos, o trate un producto en el que el fabricante le proporcione una garantía escrita en el paquete especificando que es seguro para usar en las secadoras. Los problemas de servicio o de rendimiento causados por estos productos son responsabilidad de los fabricantes de estos productos y no están cubiertos por la garantía de éste electrodoméstico.



## CUANDO NO SE ENCUENTRE USANDO SU SECADORA

- Cuando desconecte éste electrodoméstico, agarre el enchufe firmemente para evitar daños al cable eléctrico mientras lo hale. Coloque el cable eléctrico en un lugar alejado de las áreas de tráfico para que nadie lo pise, tropiece o lo pueda dañar.
- No intente hacer reparaciones o reemplazar ninguna parte de éste electrodoméstico ni intente llevar a cabo ningún tipo de servicio a no ser que lo recomiende el Manual del propietario o instrucciones publicadas que usted entienda y tenga la habilidad de llevar a cabo.
- Antes de desechar una secadora o de removerla para darle servicio, remueva la puerta de la secadora para evitar que algún niño se esconda en su interior.
- No intente alterar los controles.



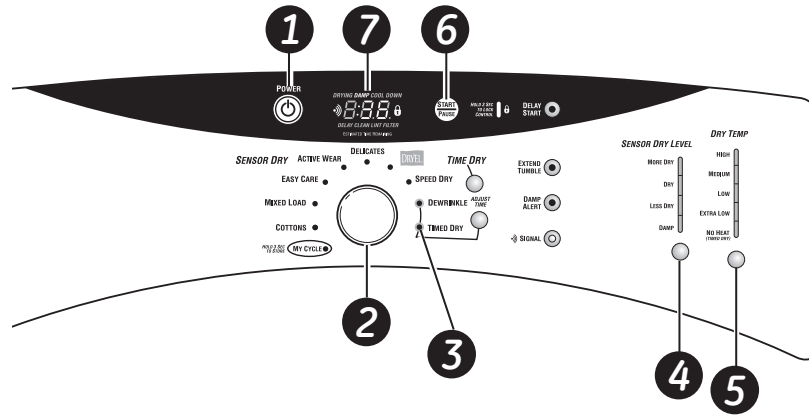
LEA Y SIGA ESTA INFORMACIÓN DE SEGURIDAD CUIDADOSAMENTE.

**CONSERVE ESTAS INSTRUCCIONES**

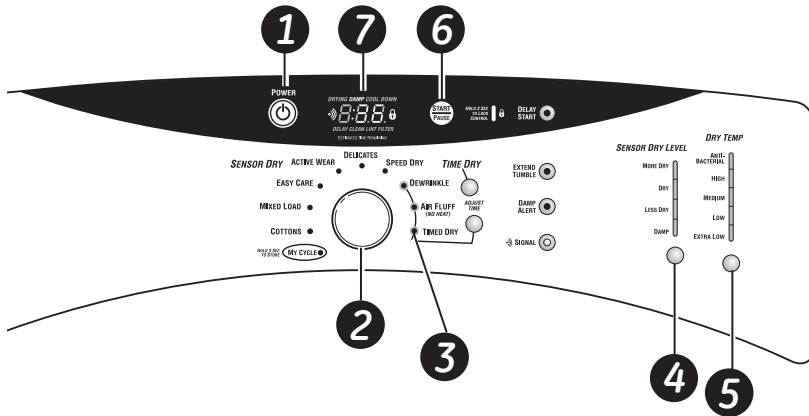
# Panel de control de la secadora.

Puede ubicar el número de modelo en la parte superior del interior de la apertura de la puerta.

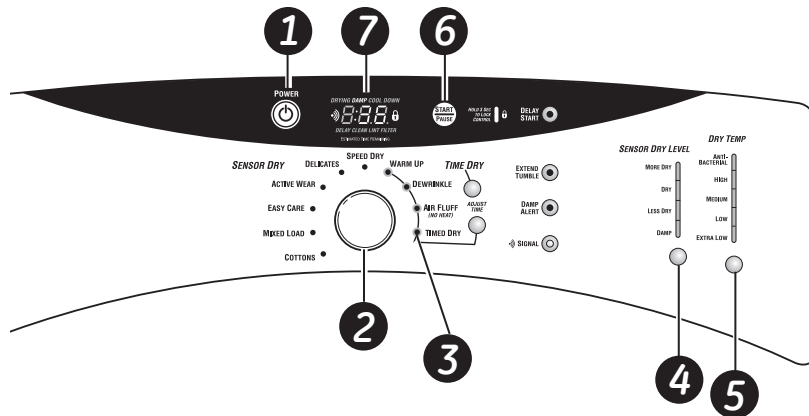
Modelo DHDVH68



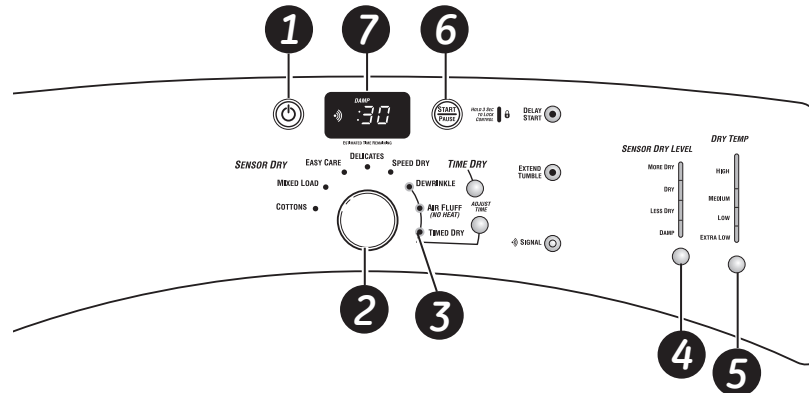
Modelo DCVH680



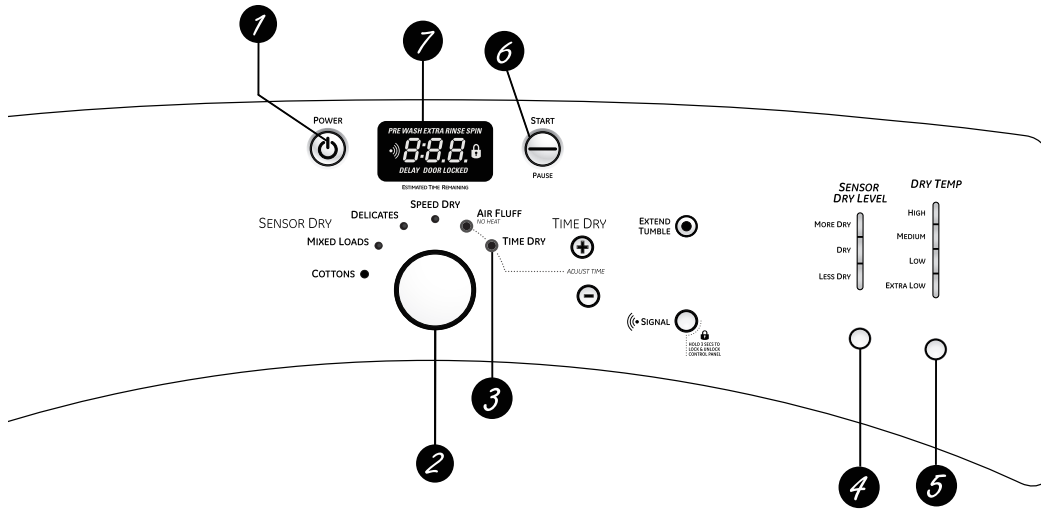
Modelo DCVH640



Modelo DBVH520



Modelo GFDN100 / GFDN110



Seguridad

Operación

Solucionar problemas

Soporte al consumidor

**1 Power (Encendido)**

Presione este botón para "iniciar" la pantalla. Si la pantalla se encuentra activa, presione este botón para poner la secadora en modalidad standby (en espera).

**NOTA:** Presionar **POWER** (Encendido) no desconecta el electrodoméstico de la fuente eléctrica.

**2 Ciclos de secado**

El ciclo de secado controla el tiempo y velocidad de giro del proceso de secado. El cuadro que aparece a continuación le ayudará a establecer el ajuste de secado según las cargas.

**Ciclos de sensor**

|  |   |
|--|---|
| <b>COTTONS (ALGODONES)</b>   | Para prendas de algodón y la mayoría de la ropa blanca.   |
| <b>MIXED LOAD (CARGA MIXTA)</b>  | Para cargas que consisten de algodones y mezclas variadas.  |
| <b>EASY CARE (CUIDADO FÁCIL)</b><br><i>(en algunos modelos)</i>        | Para artículos "libres de arrugas" y de planchado permanente.   |
| <b>ACTIVE WEAR (PRENDAS DEPORTIVAS)</b><br><i>(en algunos modelos)</i> | Ropa utilizada para realizar ejercicios y deportes activos y ciertas prendas informales. Las telas incluyen acabados de tecnología nueva y fibras elásticas "stretch" tales como el Spandex.  |
| <b>DELICATES (DELICADAS)</b>   | Para lencería y telas de cuidado especial.  |
| <b>DRYEL™</b>  | Diseñado para usar con el sistema de cuidado de telas tipo "solo lavado en seco" DRYEL™. Vea el embalaje del producto para obtener mayores instrucciones. En caso de tener preguntas o cuestiones relacionadas al uso y desempeño de DRYEL, visite el sitio Web en <a href="http://www.dryel.com">www.dryel.com</a> . |
| <b>SPEED DRY (SECADO RÁPIDO)</b>                                       | Para cargas de bajo volumen que necesita que estén listas rápidamente, tales como prendas deportivas o uniformes escolares. También se puede utilizar si el ciclo previo dejó algunas partes de las prendas húmedas, tales como cuellos o pretinas.   |

**Ciclos de secado cronometrados**

|   |   |
|---|---|
| <b>DEWRINKLE (ELIMINACIÓN DE ARRUGAS)</b> | Para eliminar las arrugas de prendas que están secas o que están casi secas. Este ciclo no recomendado para telas delicadas.<br><i>(en algunos modelos)</i> |
| <b>WARM UP (CALENTAMIENTO)</b>            | Proporciona 10 minutos de tiempo de calentamiento para calentar las prendas.  |
| <b>AIR FLUFF (ESPONJADO CON AIRE)</b>     | Utilice esta función para secar prendas sin aplicar calor.  |

**My Cycle (Mi ciclo) (en algunos modelos)**

**MY CYCLE (MI CICLO)** Presione para utilizar, crear o modificar ciclos de secado personalizados.

**3 Timed Dry (Secado cronometrado)**

Utilícelo para programar su propio tiempo de secado. **TIMED DRY** (Secado cronometrado) también se recomienda para cargas de poco volumen.

**Para utilizar TIMED DRY:**

1. Gire la perilla de ciclo a **TIMED DRY**.
2. Seleccione el tiempo de secado al presionar los botones **+** and **-**.
3. Seleccione **DRY TEMP** (temperatura de secado).
4. Cierre la puerta.
5. Presione **START**.

**4 Nivel del Sensor Dry (Secado por sensor)**

El sensor monitorea constantemente la cantidad de humedad en la carga. Cuando la humedad en sus prendas llega al nivel de secado seleccionado, la secadora se detendrá.

|                              |   |
|------------------------------|---|
| <b>MORE DRY (MÁS SECO)</b>   | Utilícelo para telas pesadas o mixtas.  |
| <b>DRY (SECO)</b>            | Utilícelo para un nivel de secado normal que sea adecuado para la mayoría de las cargas. Este es el ciclo preferido para ahorrar energía. |
| <b>LESS DRY (MENOS SECO)</b> | Utilícelo en telas más livianas (ideal para planchado).   |
| <b>DAMP (HÚMEDO)</b>         | Para dejar las prendas parcialmente húmedas. <i>(en algunos modelos)</i>  |

## Panel de control de la secadora.

### 5 **Dry Temp (Temperatura de secado)** Puede cambiar la temperatura de su ciclo de secado.

**ANTI-BACTERIAL** Esta opción sólo se puede usar con los ciclos **COTTONS** o **MIXED LOAD**. Esta opción reduce el 99,9% de ciertos tipos de bacterias, incluyendo: *Staphylococcus aureus*, *Pseudomonas aeruginosa* y *Klebsiella pneumoniae*\*. El proceso anti-bacterial ocurre cuando se usa calor elevado durante una porción del ciclo de secado.

**NOTA:** No use este ciclo en telas delicadas.

\* El ciclo anti-bacterial ha sido certificado por NSF International (antiguamente National Sanitation Foundation) de acuerdo con la Norma P154, *rendimiento de desinfección de las secadoras de ropa para uso residencial*.



NSF Protocol P154  
Sanitization Performance of  
Residential Clothes Dryers


|  |  |
|--|--|
| <b>HIGH (ALTO)</b>                                 | Para telas de algodón de normales a pesadas.   |
| <b>MEDIUM (MEDIO)</b>                              | Para telas sintéticas, tejidos de mezcla y artículos etiquetados como de planchado permanente.                         |
| <b>LOW (BAJO)</b>                                  | Para artículos delidadados, de tela sintética y etiquetados como <i>tumble dry low (centifugado de secado lento)</i> . |
| <b>EXTRA LOW (EXTRA BAJO)</b>                      | Para lencería y telas de cuidado especial.   |
| <b>NO HEAT (SIN CALOR)</b><br>(en algunos modelos) | Se puede utilizar únicamente con el ciclo <b>TIMED DRY</b> .   |

### 6 **START (Iniciar)** Presione para iniciar un ciclo de secado. Si la secadora está funcionando, presione una vez y detendrá la secadora. Presione de nuevo para reiniciar el ciclo de secado.

#### **My Cycle (Mi ciclo)** (en algunos modelos)

Programa sus combinaciones de ajustes favoritos y almacénelos en la memoria para utilizarlos al presionar un solo botón. Estos ajustes personalizados se pueden fijar mientras un ciclo se encuentra en progreso.

#### **Para almacenar una combinación de ajustes en MY CYCLE:**

1. Seleccione su ciclo de secado.
2. Cambie los ajustes **DRY TEMP** y **SENSOR DRY LEVEL** para que se adapten a sus necesidades.
3. Seleccione cualquier **OPTION** de secado que desee.
4. Presione y mantenga presionado el botón  durante tres segundos para almacenar su opción. Sonará una alarma sonora y se encenderá el botón.

#### **Para utilizar una combinación MY CYCLE almacenada:**

Presione el botón **MY CYCLE** antes de secar una carga.

#### **Para cambiar su combinación MY CYCLE almacenada:**

Siga los pasos 1 al 4 indicados en "**Para almacenar una combinación de ajustes en MY CYCLE**".

### 7 **Mensaje "CLEAN LINT FILTER" (Limpiar el filtro de pelusa)**

(Este mensaje es sólo un recordatorio.)

Después de presionar el botón **POWER**, puede aparecer el mensaje "**CLEAN LINT FILTER**" si no se completó el ciclo previo.

Este mensaje desaparecerá después de presionar el botón **START**. Aunque haya limpiado el filtro (antes o después de presionar el botón **POWER**), seguirá apareciendo el mensaje "**CLEAN LINT FILTER**" hasta que se active el botón **START**.

# Opciones de ciclo.

NOTA: No todas las funciones están disponibles en todos los modelos de secadoras.

geappliances.com

Seguridad

EXTEND  
TUMBLE



## Extend Tumble (Secado prolongado)

Minimiza las arrugas al aumentar aproximadamente 60 minutos de secado sin calor una vez que las prendas están secas. La alarma sonora se activará cada 2 minutos para recordarle que las retire. La pantalla **ESTIMATED TIME REMAINING** (Tiempo restante estimado) mostrará **00**.

Operación

DAMP  
ALERT



## Damp Alert (Alerta de humedad)

(en algunos modelos)

Esta opción hace que la secadora alerte cuando las prendas hayan secado a un nivel húmedo. Retire las prendas que desea secar colgadas. **DAMP ALERT** se activará únicamente cuando haya seleccionado esta opción.

Retirar y colgar las prendas cuando aún se encuentran húmedas puede reducir la necesidad de plancharlas.

Solucionar problemas

SIGNAL



## Signal (Señal)

Le alerta que se ha completado el ciclo. La alarma continuará sonando cada dos minutos durante los siguientes 6 minutos, hasta que se hayan retirado las prendas. Se deben retirar las prendas cuando se apaga la alarma sonora para evitar que se hagan arrugas.

Presione **SIGNAL** para seleccionar volumen bajo, medio o alto, o para apagar la alarma.

SopORTE al consumidor

DELAY  
START



## Delay Start (Inicio postergado)

Utilícelo para postergar el inicio de su secadora.

1. Escoja su ciclo de secado y cualquier opción.
2. Presione **DELAY START**. Puede cambiar el tiempo de demora en incrementos de 1 hora utilizando los botones de flecha + o -.
3. Presione el botón **START** para iniciar la cuenta regresiva.

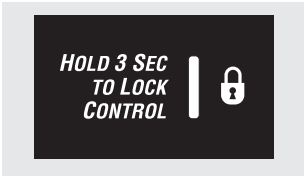
Se indicará la cuenta regresiva en la pantalla **ESTIMATED TIME REMAINING (TIEMPO RESTANTE ESTIMADO)**.

### NOTAS:

- Si abre la puerta mientras la secadora se encuentra en **DELAY**, no reiniciará la cuenta regresiva a menos que se cierre la puerta y se presione **START** de nuevo.
- Puede demorar el inicio de un ciclo de secado hasta por 18 horas en los modelos DCVH640, DCVH680, DHDVH68 y hasta por 10 horas en el modelo DBVH520.

# Opciones de ciclo.

**NOTA:** No todas las funciones están disponibles en todos los modelos de secadoras.



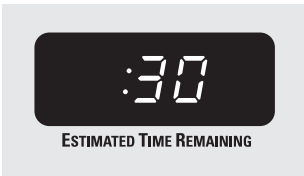
## Bloquear

Puede bloquear los controles para evitar que se realice cualquier selección. O puede bloquear los controles después de haber iniciado un ciclo.

*Cuando se selecciona esta opción los niños no podrán iniciar accidentalmente la secadora al tocar los botones.*

Para bloquear la secadora, presione y mantenga presionado el icono de candado durante 3 segundos. Para desbloquear la secadora, presione y mantenga presionado el icono de candado durante 3 segundos.

Se encenderá el icono de candado junto al cronómetro cuando los controles están bloqueados.



## Estimated Time Remaining (Tiempo restante estimado)

Muestra el tiempo restante estimado hasta el final del ciclo.

A medida que inicia el ciclo, podrá ver un tiempo de ciclo total inicial aproximado en la pantalla. Las luces se encenderán "a modo de carrera" en la pantalla. Esto significa que la secadora está monitoreando

continuamente la cantidad de humedad en la carga. Las luces continuarán encendiéndose hasta que la secadora detecte un nivel de humedad bajo en la carga. En este punto la secadora calculará y mostrará el tiempo restante aproximado.



## My Cycle (Mi ciclo) (en algunos modelos)

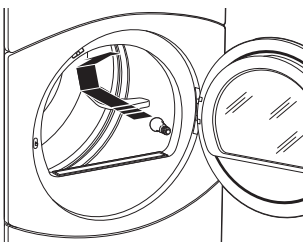
Para almacenar un ciclo favorito, programe los ajustes deseados y mantenga presionado el botón **MY CYCLE** durante 3 segundos. Se activará una alarma sonora indicando que se ha almacenado el ciclo.

Para utilizar su ciclo personalizado, presione el botón **MY CYCLE** antes de secar una carga.

Para cambiar el ciclo almacenado, programe los ajustes deseados y mantenga presionado el botón **MY CYCLE** durante 3 segundos.

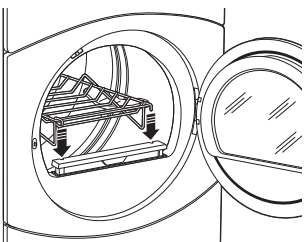
Consulte la página 8 para obtener más detalles.

# Funciones de la secadora.



## La bombilla del tambor giratorio

Antes de reemplazar la bombilla, asegúrese de desconectar la secadora del tomacorriente o de desconectar la secadora del panel de distribución de su casa removiendo el fusible o interrumpiendo el circuito eléctrico. Alcance por encima de la abertura de la puerta de la secadora dentro del tambor. Quite la bombilla y reemplace con una bombilla del mismo tamaño.



## La rejilla de secado (en algunos modelos)

La rejilla de secado se puede usar para secar artículos delicados tales como suéteres lavables. Coloque las prendas planas en la rejilla de secado y asegure prendas tales como suéteres y telas delicadas. Seque con calor bajo.

Para instalar la rejilla de secado, levante el filtro de pelusa. Introduzca la rejilla de secado en las ranuras, luego empuje el filtro hacia abajo nuevamente.

### NOTA:

- La rejilla de secado se debe usar con los ciclos **TIMED DRY** o **RACK DRY** (en algunos modelos).
- No use esta rejilla cuando esté secando otra ropa en la secadora.

## NOTAS IMPORTANTES:

- Lea todas las instrucciones antes de comenzar.
- Manipule las piezas con cuidado para evitar rayar la pintura.
- Coloque los tornillos cercanos a sus piezas correspondientes para evitar utilizarlos en los lugares incorrectos.
- Coloque las puertas en una superficie de trabajo que no produzca ralladuras.
- El tiempo normal necesario para invertir el lado hacia el que abre la puerta es de 30 a 60 minutos.

**IMPORTANTE:** Una vez que comience, no mueva el gabinete hasta que haya completado el cambio de la puerta.

Estas instrucciones indican cómo cambiar las bisagras del lado derecho al lado izquierdo. En caso que desee cambiarlas nuevamente al lado derecho, siga las mismas instrucciones e invierta todas las referencias de izquierda y derecha.

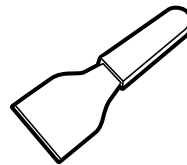
## NECESITARÁ LAS SIGUIENTES HERRAMIENTAS



Llave ajustable

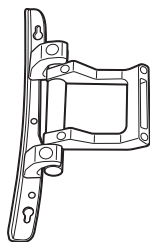


Destornillador de estrella



Espátula o destornillador de hoja delgada

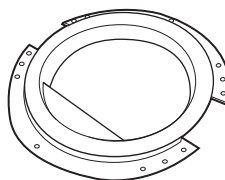
## PIEZAS DE LA PUERTA



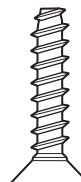
Conjunto de bisagras



Cubierta de bisagra



Cubierta plástica



Tornillo roscador grande (#10) - 6



Tornillo roscador (#8) - 2



Tornillo mecanizado (#8) - 6

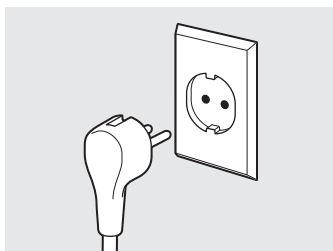


Tuerca (#8) - 2



Arandela - 2

## INSTRUCCIONES PASO A PASO



### Antes de empezar

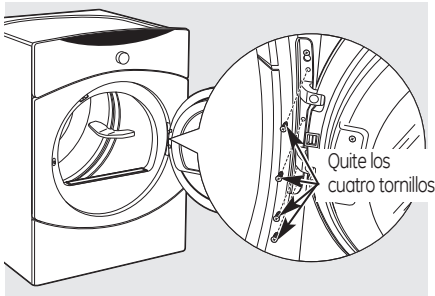
1. Desconecte la secadora del enchufe eléctrico.



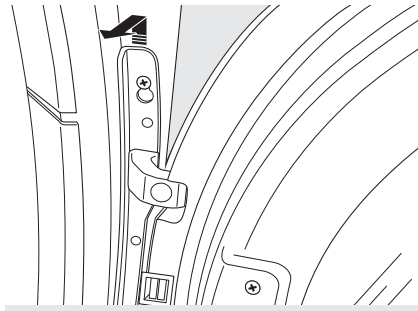
# Cómo cambiar el sentido de apertura de la puerta.

## INSTRUCCIONES PASO A PASO (cont.)

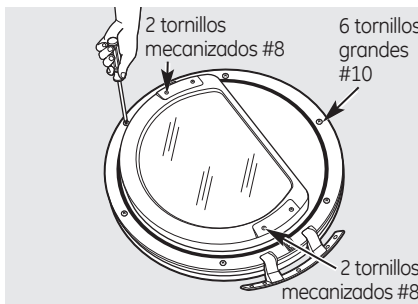
### Retire el conjunto de la puerta



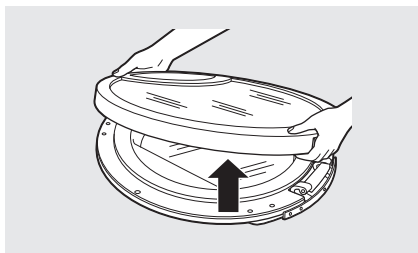
2. Abra la puerta 90 grados aproximadamente. Quite los 4 tornillos empezando con los de abajo y siguiendo hacia arriba. Asegúrese que la puerta esté apoyada mientras quita los tornillos.



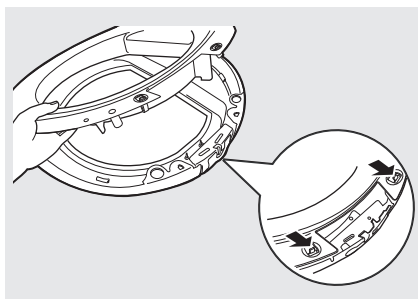
3. Afloje el tornillo superior de la manera indicada. Desenganche la puerta levantando y jalando como lo indican las flechas.
4. Apoye la puerta sobre una superficie plana protegida de modo que la parte interior apunte hacia arriba (puerta asentada en el lado de la manija).



5. Quite los 6 tornillos roscadores grandes (#10) ubicados alrededor del perímetro de la puerta en el contorno del empaque, y los 4 tornillos mecanizados (#8) en el lado de la bisagra.



6. Una vez retirados los tornillos, dé vuelta a la puerta y separe la parte de la cubierta plateada de la puerta del marco de la misma y colóque a un lado.



7. Destrabe las 4 lengüetas de la cubierta plástica y separe la cubierta plástica del marco.

**NOTA:** No tenga en cuenta la etiqueta que dice "NO QUITAR" ubicada en la cubierta plástica.

## INSTRUCCIONES PASO A PASO (cont.)

Seguridad

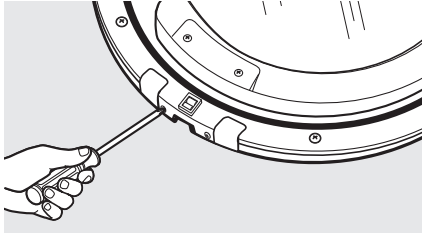
Operación

Solucionar problemas

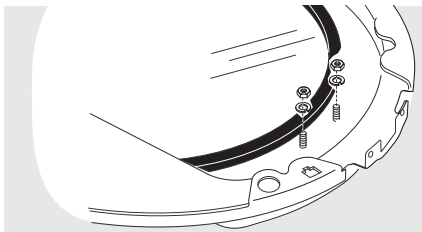
Soporte al consumidor

### Retire la bisagra

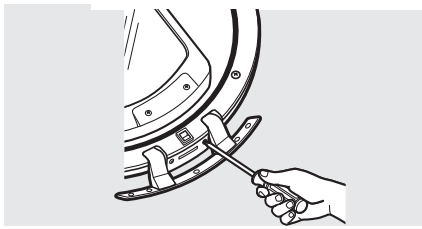
**IMPORTANTE:** Observe la ubicación de la bisagra (izquierda o derecha) antes de quitar.



8. Manteniendo la parte del marco de la puerta asentado en una superficie protegida y suave, quite la cubierta de la bisagra retirando los 2 tornillos roscadores (#8) que la aseguran al marco. La cubierta de la bisagra se localiza al lado opuesto del conjunto de bisagras.

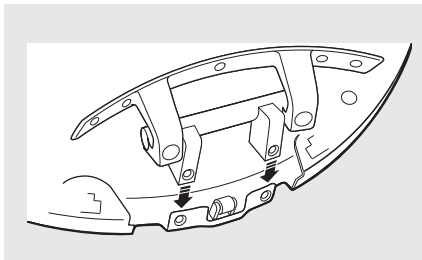


9. Quite las 2 tuercas, las arandelas y los 2 tornillos mecanizados (#8).

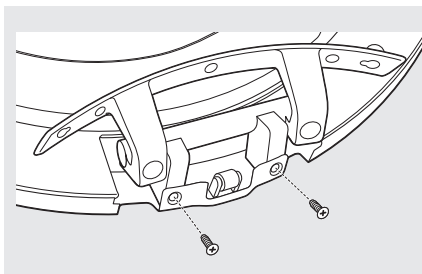


10. Quite el conjunto de bisagras retirando los 2 tornillos mecanizados (#8) que la aseguran al marco. Jale el conjunto de bisagras fuera y colóquelo a un lado.

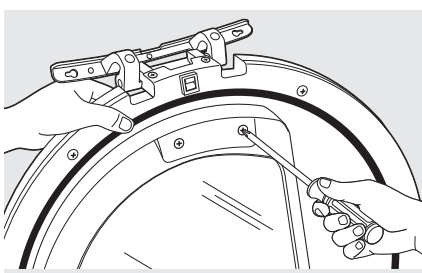
### Reinstale el conjunto de bisagras



11. Coloque el conjunto de bisagras en el lado opuesto de la puerta. Alinee los agujeros de la bisagra con los agujeros de la puerta.



12. Asegure sin apretar el conjunto de bisagras al borde utilizando 2 tornillos mecanizados (#8).

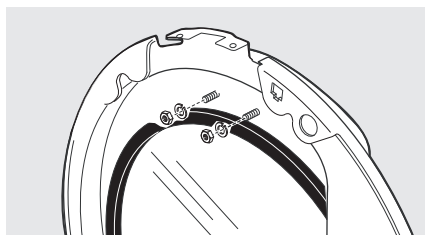


13. Sostenga con una mano la puerta en su sitio y asegure los 2 tornillos restantes como se muestra. Luego ajuste los 2 tornillos (#8) sosteniendo el conjunto de bisagras.

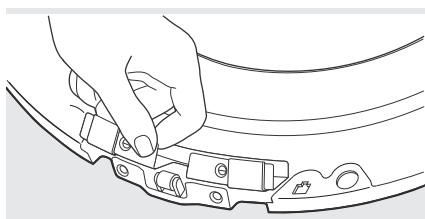
# Cómo cambiar el sentido de apertura de la puerta.

## INSTRUCCIONES PASO A PASO (cont.)

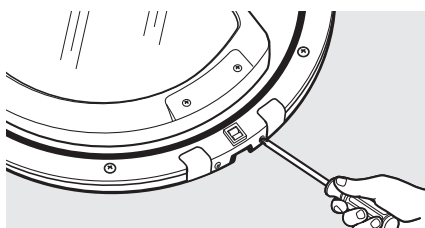
### Reinstale las tuercas y la cubierta de bisagra



14. Coloque la puerta apoyada en su borde. Coloque los 2 tornillos mecanizados (#8), arandelas y tuercas. Ajuste utilizando una llave y un destornillador.



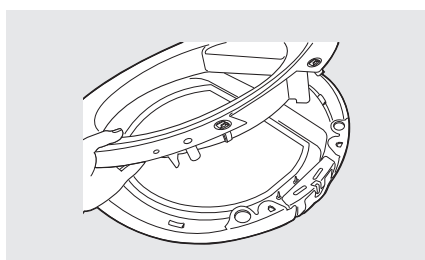
15. Coloque la cubierta de bisagra en su lugar. Alinee los agujeros de la cubierta de bisagra con los agujeros en la puerta.



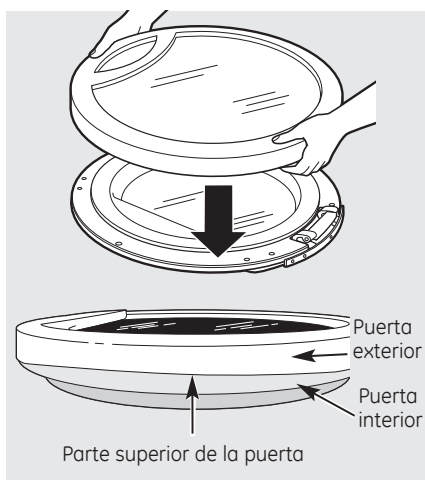
16. Asegure la cubierta de bisagra con los 2 tornillos roscadores (#8).

### Reensamble el conjunto de puerta

**IMPORTANTE:** Asegúrese que no haya suciedad ni otro material extraño entre los paneles de vidrio.



17. Coloque la cubierta plástica sobre la puerta interior y asegure en su lugar con las 4 lengüetas.



18. Coloque la puerta exterior sobre la puerta interior.

## INSTRUCCIONES PASO A PASO (cont.)

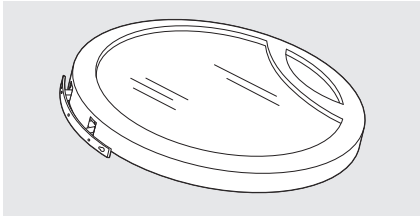
Seguridad

Operación

Solucionar problemas

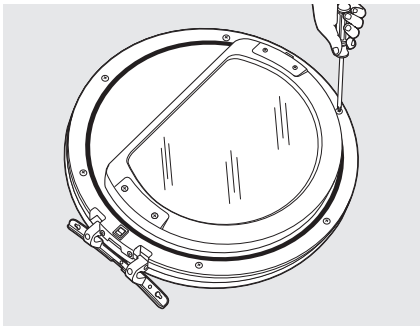
Soporte al consumidor

### Reensamble el conjunto de puerta (cont.)



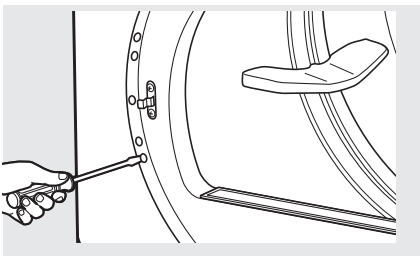
19. Después de invertir la puerta, la puerta exterior y la puerta interior estarán desfasadas.

Asegúrese que la parte de la manija de la puerta exterior se encuentre en el lado opuesto de la bisagra según se indica.

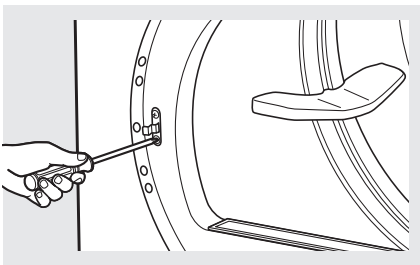


20. Dé vuelta a la puerta y asegure la puerta exterior a la puerta interior utilizando los 6 tornillos roscadores grandes (#10).

### Mueva el soporte de impacto

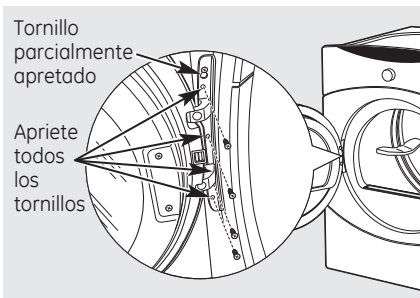


21. Utilizando una espátula u otra herramienta plana, quite los 5 tapones de plástico para los tornillos ubicados en la secadora en el sitio donde se instalará la puerta e instálelos en el lado opuesto.



22. Cambie el soporte de impacto y su cubierta al lado opuesto al quitar los tornillos. Luego, reinstale ambos en el lado opuesto.

### Reinstale el conjunto de puerta



23. En este punto la puerta estará lista para instalarla en la secadora.

Para facilitar este paso, la bisagra dispone de ojos para cerradura que permiten utilizar un tornillo parcialmente apretado a modo de gancho.

Apriete parcialmente un tornillo en el agujero para tornillo más alto. Enganche la puerta en el tornillo parcialmente apretado.

Ajuste la bisagra instalando los 4 tornillos adicionales y apretando el tornillo que está parcialmente apretado y que se ubica más arriba.

# Cómo cargar y usar la secadora.

Siempre siga las instrucciones del fabricante de la ropa cuando lave.



## Las etiquetas del cuidado de la tela

Aquí puede ver "símbolos" de etiquetas para indicar el cuidado de las telas.

### ETIQUETAS DE LAVADO

|  |                     |   |                                   |              |         |            |
|--|---------------------|---|-----------------------------------|--------------|---------|------------|
| Ciclo de lavado en máquina                     |                     |   |                                   |              |         |            |
|  | Normal              | Planchado permanente/<br>resistente a arrugas | Suave/<br>delicado                | Lavar a mano | No lave | No escurra |
| Temperatura objetivo del agua en carga frontal | Categoría           | Temperatura objetivo del agua                 | Control automático de temperatura |              |         |            |
|  | Agua fría del grifo | Temperatura del agua de entrada               | No utilizado                      |              |         |            |
|  | Fría                | 27°C/80°F                                     | Utilizado                         |              |         |            |
|  | Tibia               | 40°C/105°F                                    | Utilizado                         |              |         |            |
|  | Caliente            | 50°C/120°F                                    | Utilizado                         |              |         |            |
|  | Desinfectar         | 70°C/160°F                                    | Utilizado                         |              |         |            |

### ETIQUETAS DE SECADO

|   |   |                                     |   |  |                           |   |
|---|---|-------------------------------------|---|--|---------------------------|---|
| Tumble dry / Secado con giro                    |   |                                     |   |  |                           |   |
|   | Dry / Seco  | Normal                              | Permanent Press/<br>wrinkle resistant /<br>Resistente a arrugas | Gentle/<br>delicate /<br>Gentil/<br>Delicado | No use secado<br>con giro | Do not dry<br>(used with<br>do not wash) /<br>No secar (No lavar) |
| Heat setting / Temperatura de secado            |   |                                     |   |  |                           |   |
|   | High / Alto                                       | Medium / Mediana                    | Low / Baja  | No heat / air /<br>Sin calor / Con aire      |                           |   |
| Special instructions / Instrucciones especiales |   |                                     |   |  |                           |   |
|   | Line dry /<br>hang to dry /<br>Cuelgue para secar | Drip dry /<br>Ropa que no se arruga | Dry flat /<br>Extendido   | In the shade /<br>En la sombra               |                           |   |

### ETIQUETAS DE LA LEJÍA

|                         |   |  |                    |
|-------------------------|---|--|--------------------|
| Símbolos de blanqueador |   |  |                    |
|                         | Cualquier blanqueador<br>(cuando se necesita) | Sólo blanqueador sin cloro<br>(cuando se necesita) | No use blanqueador |



## Ideas para la clasificación y carga de la ropa

Como regla general, si la ropa es clasificada apropiadamente para la lavadora, estará clasificada apropiadamente para la secadora. Intente también clasificar los artículos según el tamaño. Por ejemplo, no seque una sábana con medias u otras prendas pequeñas.

No agregue toallitas suavizantes una vez la ropa se haya calentado. Esto podría causar que la ropa se manche. Las toallitas suavizantes acondicionadoras Bounce® se han aprobado para usarse con todas las secadoras GE de acuerdo con las instrucciones del fabricante.

**No sobrecargue.** Esto desperdicia energía y causa arrugas.

**No seque los siguientes artículos:** artículos de fibra de vidrio, prendas de lana que no sean lavables, artículos con recubrimientos de goma, plásticos, artículos con bordes plásticos o rellenos de espuma.

Siempre siga las instrucciones del fabricante de la ropa cuando lave.

Seguridad

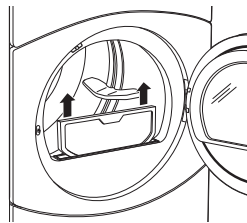


## Cuidado y limpieza de la secadora

**El exterior:** Pásele un trapo y elimine el polvo o cualquier derrame de productos de lavandería con un trapo húmedo. Los productos de tratamiento para quitar mugre y manchas podrían dañar el panel de control de la secadora y afectar su apariencia. Aplique estos productos a cierta distancia de la secadora. Luego las telas podrán lavarse y secarse normalmente. Los daños causados a la secadora por estos productos no están cubiertos bajo su garantía.

**El filtro de pelusa:** Limpie el filtro de pelusa antes de cada uso.

Saque el filtro de pelusa. Humedezca sus dedos y quite la pelusa capturada. Una vez que se encuentre limpio, deslice el filtro nuevamente a su lugar. Pida a un técnico de servicio calificado que aspire la pelusa de la secadora una vez al año.



**El ducto de escape:** Inspeccione y limpie el ducto de escape por lo menos una vez al año para evitar las obstrucciones. Un escape parcialmente taponado puede prolongar el plazo de secado.

Siga estos pasos:

- 1 Apague el suministro eléctrico desconectando el enchufe de la pared.
- 2 Desconecte el conducto de la secadora.
- 3 Aspire el conducto con la conexión de manguera y vuelva a conectarlo.

**La salida de escape:** Verifique, utilizando un espejo, que las aletas interiores de la salida de escape se mueven libremente durante la operación. Asegúrese de que ningún animal (pájaros, insectos, etc.) haya hecho su nido en el interior del conducto o en la salida de escape.

**NUNCA OPERE LA SECADORA SIN EL FILTRO EN SU LUGAR.**

Operación

Solucionar problemas

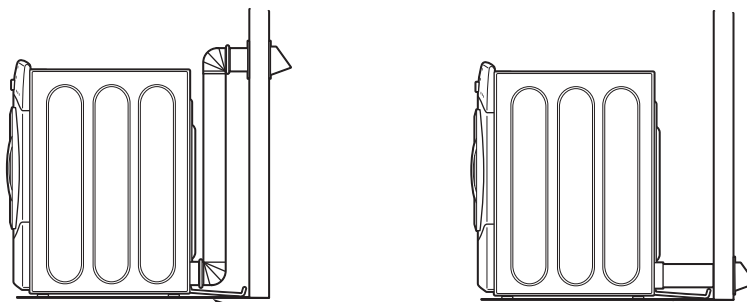
Soporte al consumidor

# Ventilación de la secadora.

Para obtener el mejor desempeño, la secadora debe estar ventilada adecuadamente. **La secadora utilizará más energía y funcionará más tiempo si no se ventila siguiendo las especificaciones indicadas más abajo. Siga cuidadosamente los detalles en la sección de Escape en las Instrucciones de instalación.**

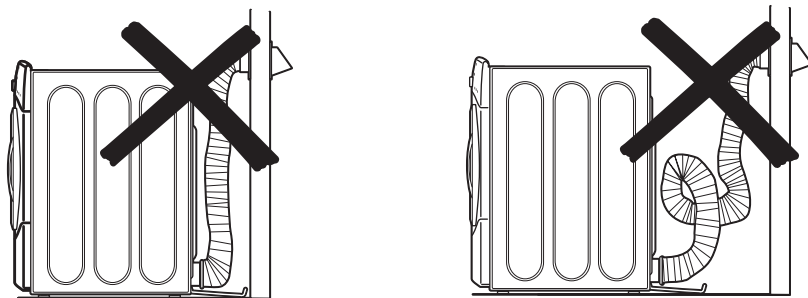
- Solamente use ductos de metal rígido de 4" de diámetro dentro de la secadora y para escape hacia el exterior.
- No use ductos plásticos u otros ductos de materiales combustibles.
- Use la longitud más corta posible.
- No aplaste, arrugue o pliegue el conducto.
- Evite descansar el conducto sobre objetos filosos.
- **La ventilación debe cumplir con los códigos de construcción locales.**
- No quite el protector de la rejilla de ventilación de la parte posterior de la secadora (en algunos modelos).
- Doble el protector hacia abajo a su posición más baja y conecte el conducto de escape en la secadora. El protector bajado impedirá que se aplaste el conducto (en algunos modelos).

Ventilación correcta



El protector de ventilación en su lugar (en algunos modelos)

Ventilación incorrecta



## ANTES DE COMENZAR

Lea estas instrucciones por completo y con cuidado.

- **IMPORTANTE:** Guarde estas instrucciones para uso del inspector local.
- **IMPORTANTE:** Cumpla con todos los códigos y ordenanzas regulatorias.
- **Nota para el instalador** – Asegúrese de dejar estas instrucciones en poder del consumidor.
- **Nota para el consumidor** – Conserve estas instrucciones para referencias futuras.
- La instalación **debe** ser efectuada por un instalador calificado.
- La instalación adecuada es responsabilidad del instalador.

## PARA SU SEGURIDAD

### ⚠ ¡ADVERTENCIA!

- Peligro de descarga eléctrica. Desconecte el suministro de energía antes de realizar la instalación. El no hacerlo puede resultar en lesiones graves o la muerte.
- **Peligro de lesiones personales. Debido a su peso y tamaño, se recomienda que más de dos personas levanten la secadora para colocarla en su lugar. El no hacerlo puede resultar en lesiones personales o la muerte.**
- Evite vuelcos y la ruptura de las instalaciones de servicios públicos. La secadora debe estar conectada de manera segura a la lavadora. NO coloque la lavadora sobre la secadora. De lo contrario, esto puede resultar en lesiones personales o la muerte, o en daños a la propiedad.
- Instalación en casas rodantes o casas prefabricadas: No se permite apilar una secadora de gas en una casa rodante o prefabricada.

## DISTANCIAS MÍNIMAS, NO APLICABLES A LA INSTALACIÓN EN HUECOS O ARMARIOS

Las distancia mínimas de las superficies combustibles y para la salida de aire son: 0" en ambos lados y 1" en la parte trasera. Se debe prestar atención a fin de dejar el espacio suficiente para la instalación y el servicio.

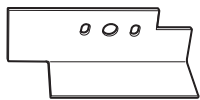
## INSTALACIÓN EN HUECOS O ARMARIOS

- Si su secadora está aprobada para ser instalada en un hueco o armario, esto estará indicado en una etiqueta en la parte trasera de la secadora.
- La secadora DEBE tener ventilación al exterior. Consulte las Instrucciones de instalación de la secadora para obtener más detalles.
- La distancia mínima entre el armario de la secadora y las paredes adyacentes u otras superficies es:  
0" en cualquiera de los lados  
3" en la parte delantera y trasera
- El espacio vertical mínimo del piso los armarios aéreos, techo, etc., es de 43" sin el pedestal, 55" con el pedestal y 84" apilada.
- Las puertas del armario deben tener ranuras de ventilación u otro tipo de ventilación, y deben tener un mínimo de 60 pulgadas cuadradas de superficie abierta distribuida de manera uniforme. Si el armario contiene una lavadora y una secadora, las puertas deben tener un mínimo de 120 pulgadas cuadradas de superficie abierta distribuida de manera uniforme.



# Apilado.

## CONTENIDO DEL JUEGO



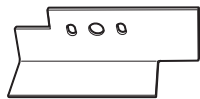
Abrazadera derecha



4 almohadillas de caucho



4 tornillos #12 x 1"



Abrazadera izquierda

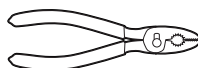


4 tornillos #8 x 1/2"

## HERRAMIENTAS QUE NECESITARÁ



Destornillador Phillips



Pinzas



Guantes



Llave española



Nivelador

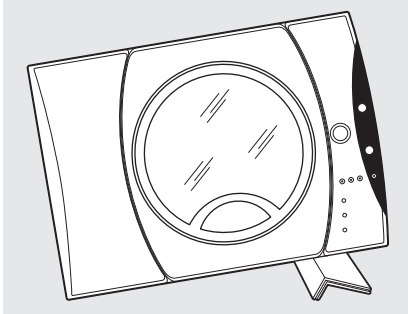
## PREPARACIÓN PARA LA INSTALACIÓN

Retire el embalaje.

Aplaste el cartón del producto para utilizarlo como almohadilla para apoyar la secadora sobre uno de sus costados. Continúe usando el cartón para proteger el piso terminado que se encuentra delante del lugar de instalación.

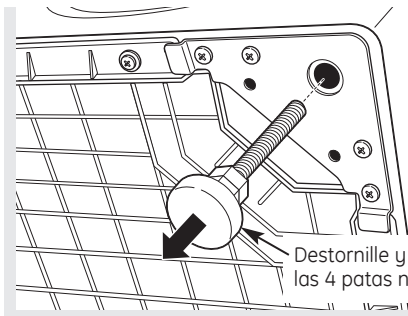
## INSTALACIÓN DEL JUEGO DE ABRAZADERAS DE APILADO

Seguridad



### 1. Retire las patas niveladoras de la secadora

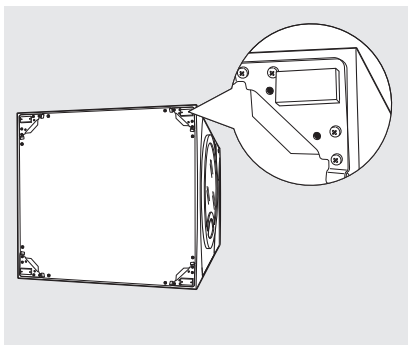
- Apoye cuidadosamente la secadora sobre uno de sus costados. Use el material de embalaje para no rayar el acabado de la secadora.
- Use una llave española o pinzas para retirar las patas niveladoras de la secadora.



Destornille y retire las 4 patas niveladoras

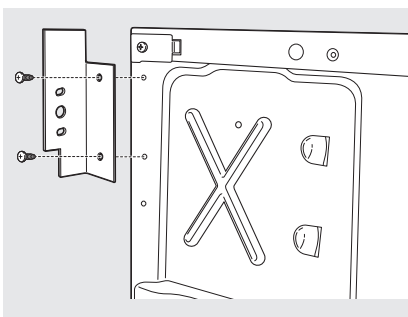
Operación

Solucionar problemas



### 2. Instale las almohadillas de caucho en la base de la secadora

Localice las 4 almohadillas de caucho en el paquete de piezas. Retire el reverso adhesivo y colóquelas firmemente sobre la abrazadera en el lugar donde retiró las patas niveladoras.



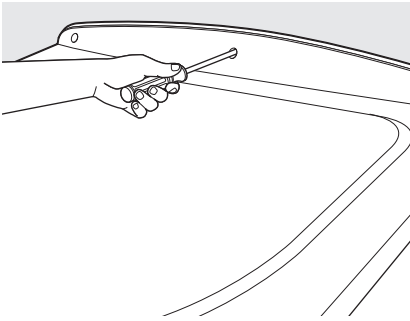
### 3. Instale la abrazadera en la secadora

- Alinee los agujeros de la abrazadera izquierda con los agujeros de la esquina inferior izquierda de la secadora. Use un destornillador Phillips para instalar los 2 tornillos roscadores #12 x 1".
- Repita el paso anterior con la abrazadera derecha en la esquina inferior derecha de la secadora.
- Coloque la secadora en posición vertical.

**NOTA:** Asegúrese de colocar la secadora sobre el material de embalaje de manera tal que las abrazaderas que estén adosadas a la parte inferior de la secadora no dañen el piso.

Soporte al consumidor

## INSTALACIÓN DEL JUEGO DE ABRAZADERAS DE APILADO (cont.)

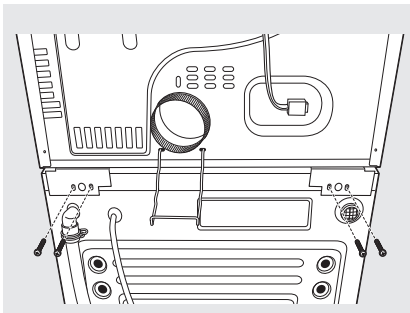


### 4. Prepare la lavadora y la secadora

- A. Coloque la lavadora en la ubicación aproximada.
- B. Asegúrese de que la lavadora se encuentre nivelada. Consulte las Instrucciones de instalación de la lavadora para obtener más detalles.
- C. Para retirar la parte posterior del panel de control, retire los 3 tornillos.

- D. Invierta el sentido de apertura de la puerta de la secadora si lo desea. Consulte las Instrucciones de instalación de la secadora para obtener más detalles.

**NOTA:** El sentido de apertura de la puerta de la lavadora no es reversible.



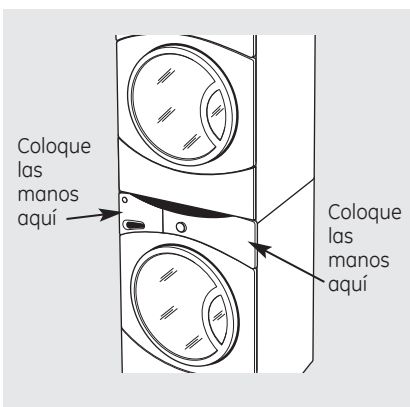
### 5. Instale la secadora y la abrazadera en la lavadora

- A. Levante la secadora y colóquela sobre la lavadora. Tenga cuidado de no rayar la parte superior de la lavadora con las abrazaderas. Proteja el panel de control de la lavadora con cartón u otra protección. Asegúrese de levantar la secadora a una altura suficiente para dejar libre el panel de control de la lavadora.

- B. Alinee los agujeros de la abrazadera con los agujeros de la parte posterior de la lavadora. Con el destornillador Phillips, ajuste los 2 tornillos roscadores #8 x 1/2". Repita este paso en ambos lados de la lavadora.

## ⚠ ADVERTENCIA!

**Peligro de lesiones personales. Debido a su peso y tamaño, se recomienda que más de dos personas levanten la secadora para colocarla en su lugar. El no hacerlo puede resultar en lesiones personales o la muerte.**



### 6. Finalice la instalación

- A. Consulte las Instrucciones de instalación de la lavadora para completar la instalación de la lavadora.
- B. Consulte las Instrucciones de instalación de la secadora para completar la instalación de la secadora.
- C. Deslice o mueva cuidadosamente la lavadora y secadora apiladas a su lugar. Use almohadillas afelpadas u otro dispositivo de deslizamiento para ayudar a mover los productos

y proteger el piso.

## ⚠ ADVERTENCIA!

**Peligro de lesiones personales. No empuje la secadora una vez instalada sobre la lavadora. De lo contrario, los dedos podrían quedar atrapados entre la lavadora y la secadora.**



Consejos para la solución de problemas  
¡Ahorre tiempo y dinero! Consulte primero las tablas de las páginas siguientes o visite **geappliances.com** y quizás no necesite llamar al servicio.

| Problema   | Causas posibles  | Qué hacer   |
|--|--|---|
| La secadora tiembla o produce ruido  | Un poco de temblor/ruido es normal. La secadora podría estar disnivelada | <ul style="list-style-type: none"> <li>Coloque la secadora en un lugar con piso nivelado, o ajuste las patas niveladoras según sea necesario hasta que esté nivelada.</li> </ul>  |
| Secar las prendas toma demasiado tiempo  | Conductos inadecuados u obstruidos                                       | <ul style="list-style-type: none"> <li>Verifique las Instrucciones de instalación para asegurar que la ventilación de la secadora sea adecuada.</li> <li>Asegúrese de que los conductos estén limpios, libres de puntos de agarre y no estén obstruidos.</li> <li>Revise observando que el regulador de pared exterior esté funcionando con facilidad.</li> </ul> |
|  | Clasificación incorrecta   | <ul style="list-style-type: none"> <li>Separe las prendas pesadas de las livianas (generalmente una carga de lavado bien clasificada es una carga de de secado bien clasificada).</li> </ul>  |
|  | Cargas grandes de telas pesadas (como toallas de playa)                  | <ul style="list-style-type: none"> <li>Las telas grandes y pesadas contienen más humedad y toman más tiempo para secar. Separe las telas grandes y pesadas en cargas de menor tamaño para agilizar el plazo de secado.</li> </ul>   |
|  | Los controles no están programados correctamente                         | <ul style="list-style-type: none"> <li>Corresponde los ajustes de control a la carga que está secando.</li> </ul>   |
|  | El filtro de pelusa está lleno   | <ul style="list-style-type: none"> <li>Limpie el filtro de pelusa antes de cada carga.</li> </ul>   |
|  | Fusibles quemados/disyuntor desconectado                                 | <ul style="list-style-type: none"> <li>Reemplace los fusibles o reconecte los disyuntores. Ya que la mayoría de las secadoras utilizan 2 fusibles/disyuntores, asegúrese de que ambos funcionen.</li> </ul>   |
|  | Sobrecarga/combinación de cargas   | <ul style="list-style-type: none"> <li>No coloque más de una carga de la lavadora en la secadora al mismo tiempo.</li> </ul>  |
| Se ha seleccionado el nivel de secado DRY (Seco) pero la carga aún se encuentra húmeda | Poca cantidad de carga   | <ul style="list-style-type: none"> <li>Si está secando solo una o dos prendas, añada varias para asegurar un giro apropiado.</li> </ul>   |
|  | La carga consiste de una combinación de telas pesadas y livianas         | <ul style="list-style-type: none"> <li>Cuando combine telas pesadas con livianas en una carga, escoja <b>MORE DRY (Más seco)</b>.</li> </ul>  |
| Los botones de control no responden  | El sistema de escape está tapado   | <ul style="list-style-type: none"> <li>Inspeccione y limpie el sistema de escape.</li> </ul>  |
|  | Los controles están accidentalmente en modalidad de servicio             | <ul style="list-style-type: none"> <li>Presione <b>STOP (Alto)</b>.</li> </ul>  |
|  | Los controles están accidentalmente en modalidad de bloqueo              | <ul style="list-style-type: none"> <li>Mantenga presionado el botón <b>LOCK (Bloquear)</b> durante 3 segundos para desbloquear la secadora.</li> </ul>  |
| La secadora no funciona  | Los controles efectuaron una operación incorrecta                        | <ul style="list-style-type: none"> <li>Apague y encienda el disyuntor ubicado dentro de la vivienda.</li> </ul>   |
|  | El panel de control está "dormido"                                       | <ul style="list-style-type: none"> <li>Esto es normal. Presione el botón <b>POWER</b> para activar el panel de control.</li> </ul>  |
|  | La secadora está desenchufada  | <ul style="list-style-type: none"> <li>Asegúrese de que el enchufe esté completamente colocado en el tomacorriente.</li> </ul>  |
|  | Fusible quemado/disyuntor desconectado                                   | <ul style="list-style-type: none"> <li>Revise la caja de fusibles/disyuntores y reemplace el fusible o reconecte el disyuntor. <b>NOTA:</b> Secadoras eléctricas usan dos fusibles/disyuntores.</li> </ul>  |
|  | Se pausó accidentalmente la secadora al comenzar el inicio postergado    | <ul style="list-style-type: none"> <li>Si la luz en el botón <b>DELAY START</b> se encuentra destellando, la secadora se encuentra en pausa. Presione <b>START</b> para volver a iniciar la cuenta regresiva.</li> </ul>  |

## Antes de llamar para solicitar servicio...

| Problema  | Causas posibles   | Qué hacer   |
|---|---|---|
| No aparecen números en la pantalla durante el ciclo, sólo luces                         | La secadora monitorea constantemente la cantidad de humedad en la ropa  | <ul style="list-style-type: none"> <li>Esto es normal. Cuando la secadora detecta un nivel bajo de humedad en la carga, la secadora mostrará el tiempo restante de secado.</li> </ul>   |
| El tiempo restante ha saltado a un número inferior                                      | El tiempo estimado podría cambiar si seca una carga menor a la normal   | <ul style="list-style-type: none"> <li>Esto es normal.</li> </ul>   |
| No puede realizar una selección y la secadora activa la alarma sonora dos veces         | El NIVEL DE SECADO, la TEMPERATURA o la OPCIÓN que intenta seleccionar es incompatible con el ciclo de secado que ha escogido                           | <ul style="list-style-type: none"> <li>Esto es normal.</li> </ul>   |
| La secadora se encuentra funcionando, pero el tiempo restante muestra 00                | Se ha escogido la opción <b>EXTEND TUMBLE (Prolongar secado)</b>  | <ul style="list-style-type: none"> <li>Esto es normal. Durante el secado prolongado, no se muestra el tiempo restante. La opción de secado prolongado tarda 20 minutos aproximadamente.</li> </ul>  |
| Mensaje "Clean Lint Filter" (Limpie filtro de pelusa)                                   | Se activó el botón <b>POWER</b>   | <ul style="list-style-type: none"> <li>Presione <b>START</b> para iniciar un ciclo de secado y desaparecerá el mensaje.</li> </ul>  |
| La secadora no calienta   | Fusible quemado/disyuntor desconectado; es posible que la secadora gire sin calentar  | <ul style="list-style-type: none"> <li>Revise la caja de fusibles/disyuntores y reemplace ambos fusibles y reconecte ambos disyuntores. Es posible que la secadora gire si únicamente un fusible se ha quemado o un solo disyuntor ha saltado.</li> </ul>                           |
|   | Se ha cortado el suministro de gas  | <ul style="list-style-type: none"> <li>Asegúrese que la válvula de cierre en la secadora y la válvula maestra está completamente abierta.</li> </ul>  |
|   | El tanque de suministro de gas LP está vacío o se ha producido una interrupción en el servicio de gas natural (en los modelos a gas)                    | <ul style="list-style-type: none"> <li>Rellene o reemplace el tanque. La secadora se deberá calentar cuando se reestablezca el servicio de gas.</li> </ul>  |
| Plazos de secado inconsistentes   | Tipo de calor   | <ul style="list-style-type: none"> <li>Los plazos de secado automático pueden variar según el tipo de calor utilizado. Se ha cambiado recientemente de una secadora eléctrica a una a base de gas (natural o LP), o viceversa, el tiempo de secado podría ser diferente.</li> </ul> |
|   | Tipo de carga y condiciones de secado   | <ul style="list-style-type: none"> <li>El tamaño de la carga, tipos de telas, humedad de la ropa y longitud y condición del sistema de escape afectará los tiempos de secado.</li> </ul>  |
| Brillo en la parte trasera del tambor   | Calentadores detrás del tambor  | <ul style="list-style-type: none"> <li>Esto es normal. Bajo ciertas condiciones de secado e iluminación ambiental de la habitación, el brillo de los calentadores podría ser visibles en la parte trasera del tambor.</li> </ul>  |
| Las prendas aún se encuentran húmedas y la secadora se apaga después de un tiempo corto | Se abrió la puerta a la mitad del ciclo. Luego se procedió a retirar la carga de la secadora y se colocó una carga nueva sin seleccionar un ciclo nuevo | <ul style="list-style-type: none"> <li>Se debe volver a seleccionar un ciclo de secado cada vez que se coloca una carga nueva.</li> </ul>   |
|   | Carga pequeña   | <ul style="list-style-type: none"> <li>Cuando seque 3 o menos prendas, escoja <b>SPEED DRY</b> o <b>TIMED DRY</b>.</li> </ul>   |
|   | La carga ya se encontraba seca a excepción de los cuellos y pretinas  | <ul style="list-style-type: none"> <li>Escoja <b>SPEED DRY</b> o <b>TIMED DRY</b> para secar los cuellos y pretinas que estén húmedos. En el futuro, al secar una carga que contenga cuellos y pretinas, escoja <b>MORE DRY</b>.</li> </ul>   |
|   | La secadora no está nivelada  | <ul style="list-style-type: none"> <li>Mueva la secadora a un área con piso nivelado o ajuste las patas niveladoras como sea necesario hasta que se encuentre nivelada.</li> </ul>  |

## Seguridad

## Operación

## Solucionar problemas

## Soporte al consumidor

| Problema  | Causas posibles  | Qué hacer   |
|---|--|---|
| Las prendas están arrugadas   | Sobresecado  | <ul style="list-style-type: none"> <li>• Seleccione un plazo de secado más breve.</li> <li>• Retire las prendas mientras están húmedas. Programe el ajuste a <b>LESS DRY (MENOS SECO)</b> o <b>DAMP DRY (SECADO HÚMEDO)</b>.</li> </ul>   |
|   | Las prendas permanecen en la secadora después que ha terminado el ciclo  | <ul style="list-style-type: none"> <li>• Retire las prendas cuando finaliza el ciclo y doble o cuélguelas inmediatamente, o utilice la opción <b>EXTEND TUMBLE</b>.</li> </ul>  |
|   | Sobrecarga   | <ul style="list-style-type: none"> <li>• Separe las cargas más grandes en más pequeñas.</li> </ul>  |
| Las prendas se encogen  | Algunas telas se encogen de manera natural cuando se lavan. Otras pueden lavarse sin problemas, pero se encogerán en la secadora | <ul style="list-style-type: none"> <li>• Para evitar encoger las prendas, siga las instrucciones de las etiquetas exactamente.</li> <li>• Algunas prendas pueden plancharse nuevamente a su forma original después de secarlas.</li> <li>• Si tiene dudas sobre si una prenda en particular encogerá, no la lave a máquina ni la seque con giro.</li> </ul> |
| Manchas de grasa en la ropa   | Uso inapropiado de suavizador de telas   | <ul style="list-style-type: none"> <li>• Siga las direcciones en el envase del suavizador de telas.</li> </ul>  |
|   | Secado de artículos sucios con limpios   | <ul style="list-style-type: none"> <li>• Utilice su secadora para secar únicamente artículos limpios. Los artículos sucios pueden manchar los artículos limpios y la secadora.</li> </ul>   |
|   | Las prendas no están completamente limpias   | <ul style="list-style-type: none"> <li>• Algunas manchas que no se pueden ver cuando las prendas están mojadas <i>aparecen</i> después del secado. Utilice procedimientos apropiados de lavado antes del secado.</li> </ul>   |
| Pelusa en las prendas   | El filtro de pelusa está lleno   | <ul style="list-style-type: none"> <li>• Limpie el filtro antes de cada carga.</li> </ul>   |
|   | Clasificación incorrecta   | <ul style="list-style-type: none"> <li>• Clasifique las prendas que producen pelusa (como felpilla) de las prendas que juntan pelusa (como la pana).</li> </ul>   |
|   | La electricidad estática puede atraer pelusa   | <ul style="list-style-type: none"> <li>• Consulte las sugerencias en esta sección bajo <b>ESTÁTICA</b>.</li> </ul>  |
|   | Sobrecarga   | <ul style="list-style-type: none"> <li>• Separe las cargas más grandes en menor tamaño.</li> </ul>  |
|   | Papel, servilletas, etc., quedan dentro de los bolsillos de la ropa  | <ul style="list-style-type: none"> <li>• Vacíe todos los bolsillos antes de lavar la ropa.</li> </ul>   |
| Ocurre estática   | No se utilizó ningún tipo de suavizador de telas   | <ul style="list-style-type: none"> <li>• Intente utilizar un suavizador de telas.</li> <li>• Bounce® Fabric Conditioner Dryer Sheets ha sido aprobado para ser usado con todas las Secadoras GE y cuando se usen de acuerdo con las instrucciones del fabricante.</li> </ul>  |
|   | Sobresecado  | <ul style="list-style-type: none"> <li>• Intente utilizar un suavizador de telas.</li> <li>• Programe el ajuste a <b>LESS DRY (MENOS SECO)</b> o <b>DAMP DRY (SECADO HÚMEDO)</b>.</li> </ul>  |
|   | Artículos sintéticos, planchado permanente y combinaciones pueden causar estática  | <ul style="list-style-type: none"> <li>• Intente utilizar un suavizador de telas.</li> </ul>  |
| Los cuellos y pretinas aún se encuentran húmedos al final del ciclo | El monitor de sequedad detecta que el cuerpo de las prendas está seco  | <ul style="list-style-type: none"> <li>• Escoja <b>SPEED DRY</b> o <b>TIMED DRY</b> para secar dejando húmedos los cuellos y pretinas. En el futuro, cuando seque una carga con cuellos y pretinas, escoja <b>MORE DRY</b>.</li> </ul>  |

# Garantía de la secadora GE.



Todos los servicios de garantía se ofrecen a través de nuestros centros de asistencia técnica o un técnico autorizado de Customer Care®. Para programar servicio de asistencia técnica, en línea, visite la página [geappliances.com](http://geappliances.com) o llame al 800.GE.CARES (1.800.432.2737).

Cuando llame para solicitar servicio, por favor tenga a mano el número de serie y el número de modelo.

Engrape el recibo aquí.  
Se necesita el comprobante con la fecha de compra original para que la garantía cubra los servicios.

## Por el período de: GE reemplazará:

### Un año

De la fecha de la compra original

Cualquier parte de la secadora que falle debido a defectos en los materiales o en la fabricación.

Durante esta **garantía limitada de un año**, GE también proporcionará, **sin costo alguno**, toda la mano de obra y servicios relacionados con el reemplazo de las partes defectuosas.

## Lo que no está cubierto:

- Viajes del personal de servicio a su casa para enseñarle cómo usar su producto.
- Instalación, entrega o mantenimiento inapropiada.
- Fallas del producto si es maltratado, mal usado, o usado para un propósito diferente del que se creó o si es usado para usos comerciales.
- Cambio de los fusibles de su casa o reajuste del circuito de interruptores.
- Daños al producto causados por accidentes, incendios, inundaciones o actos de la naturaleza.
- Daños imprevistos resultantes causados por posibles defectos con este electrodoméstico.
- Daños causados después del envío.
- Producto no accesible para facilitar el servicio requerido.

**EXCLUSIÓN DE GARANTÍAS IMPLÍCITAS—Su único y exclusivo derecho es la reparación del producto, tal y como se indica en esta Garantía limitada. Cualquier garantía implícita, incluyendo las garantías implícitas de comerciabilidad o adecuación para un fin determinado, están limitadas a un año o el período de tiempo más breve permitido por la ley.**

Esta garantía se extiende al comprador original y a cualquier propietario subsecuente para productos comprados para uso doméstico dentro Estados Unidos. Si el producto está situado en un área que no dispone de servicio por parte de un proveedor de servicio autorizado de GE, podría tener que hacerse cargo de los costes de envío o bien podría solicitársele que lleve el producto a un centro de servicio de GE autorizado para realizar la reparación. En Alaska, la garantía excluye el costo de envío o las visitas de servicio a su casa.

Algunos estados no permiten la exclusión o limitación de daños imprevistos. Esta garantía le da sus derechos legales específicos, y es posible que usted tenga otros derechos legales que varían de estado a estado. Para informarse de cuáles son sus derechos legales, consulte a su oficina de asuntos del consumidor local o estatal o póngase en contacto con la Oficina de su Procurador General.

Garante: General Electric Company. Louisville, KY 40225

Seguridad

Operación

Solucionar problemas

Soporte al consumidor

## Soporte al consumidor.

---



### *Página Web de GE Appliances*

***geappliances.com***

¿Tiene alguna pregunta sobre su electrodoméstico? ¡Pruebe la página Web de GE Appliances, cualquier día del año! Para mayor conveniencia y servicio más rápido, ya puede descargar los Manuales de los Propietarios, pedir piezas o incluso hacer una cita en línea para que vengan a realizar una reparación.



### *Solicite una reparación*

***geappliances.com***

El servicio de expertos GE está a tan sólo un paso de su puerta. ¡Entre en línea y solicite su reparación cuando le venga cualquier día del año! O llame al 800.GE.CARES (800.432.2737) durante horas normales de oficina.



### *Real Life Design Studio (Estudio de diseño para la vida real)*

***geappliances.com***

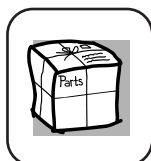
GE apoya el concepto de Diseño Universal—productos, servicios y ambientes que pueden usar gente de todas las edades, tamaños y capacidades. Reconocemos la necesidad de diseñar para una gran gama de habilidades y dificultades físicas y mentales. Para más detalles sobre las aplicaciones de GE Diseño Universal, incluyendo ideas de diseño para la cocina para personas con discapacidades, mire nuestra página Web hoy mismo. Para personas con dificultades auditivas, favor de llamar al 800.TDD.GEAC (800.833.4322).



### *Garantías ampliadas*

***geappliances.com***

Compre una garantía ampliada y obtenga detalles sobre descuentos especiales disponibles mientras su garantía está aún activa. Puede comprarla en línea en cualquier momento, o llamar al 800.626.2224 durante horas normales de oficina. GE Consumer Home Services estará aún ahí cuando su garantía termine.



### *Piezas y accesorios*

***geappliances.com***

Aquellos individuos con la calificación necesaria para reparar sus propios electrodomésticos pueden pedir que se les manden las piezas o accesorios directamente a sus hogares (aceptamos las tarjetas VISA, MasterCard y Discover). Haga su pedido en línea hoy, 24 horas cada día o llamar por teléfono al 800.626.2002 durante horas normales de oficina.

***Las instrucciones descritas en este manual cubren los procedimientos a seguir por cualquier usuario. Cualquier otra reparación debería, por regla general, referirse a personal calificado autorizado. Debe ejercerse precaución ya que las reparaciones incorrectas pueden causar condiciones de funcionamiento inseguras.***



### *Póngase en contacto con nosotros*

***geappliances.com***

Si no está satisfecho con el servicio que recibe de GE, póngase en contacto con nosotros en nuestra página Web indicando todos los detalles así como su número de teléfono o escribanos a:

General Manager, Customer Relations  
GE Appliances, Appliance Park  
Louisville, KY 40225



### *Registre su electrodoméstico*

***geappliances.com***

¡Registre su nuevo electrodoméstico en línea—cuando usted prefiera! El registrar su producto a tiempo le proporcionará, si surgiera la necesidad, una mejor comunicación y un servicio más rápido bajo los términos de su garantía. También puede enviar su tarjeta de registro pre-impresa que se incluye en el material de embalaje.



## Free Manuals Download Website

<http://myh66.com>

<http://usermanuals.us>

<http://www.somanuals.com>

<http://www.4manuals.cc>

<http://www.manual-lib.com>

<http://www.404manual.com>

<http://www.luxmanual.com>

<http://aubethermostatmanual.com>

Golf course search by state

<http://golfingnear.com>

Email search by domain

<http://emailbydomain.com>

Auto manuals search

<http://auto.somanuals.com>

TV manuals search

<http://tv.somanuals.com>