

# DBLR333EG

## GE® 5.8 Cu. Ft. Extra-Large Capacity Electric Dryer

### Dimensions and Installation Information (in inches)

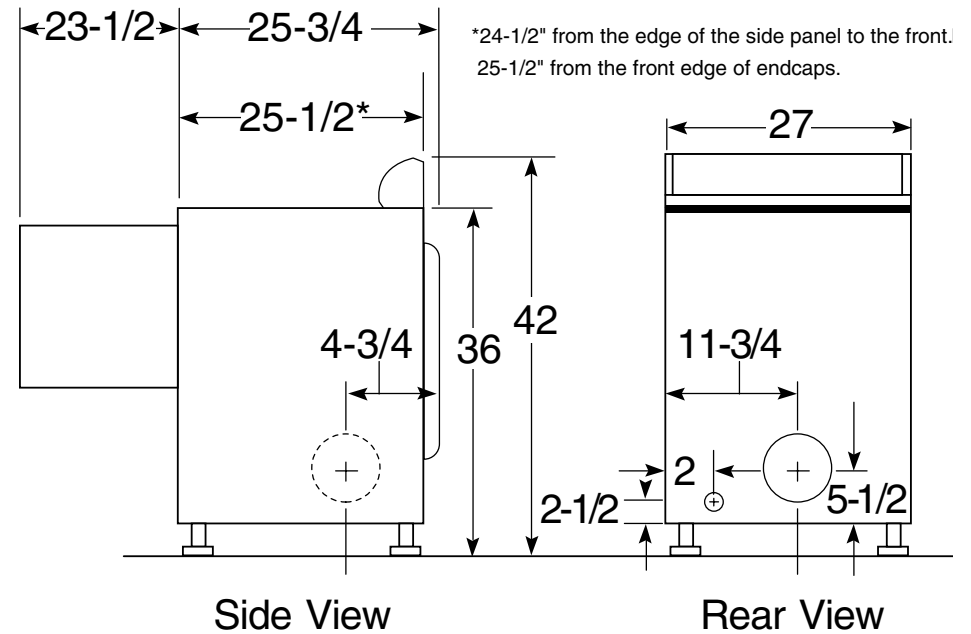
| Electric Dryer Rating: |       |     |      |
|------------------------|-------|-----|------|
| 240V                   | 5600W | 24A | 60Hz |
| 208V                   | 4400W | 22A | 60Hz |

**Exhaust Option:** 4-way rear, right, left and bottom

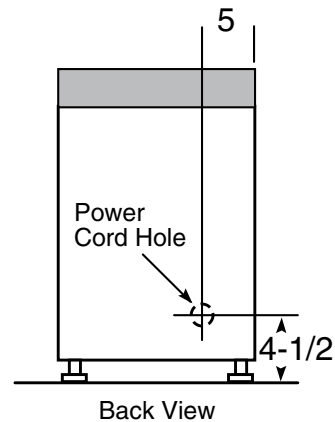
**Circuit Requirements:** An individual, properly-grounded branch circuit, protected by a 30-amp circuit breaker or a time-delay fuse, is required.

**Note:** Dryer wall outlet must be located within 36" of service cord entry and accessible when dryer is mounted in position.

**Installation Information:** For complete information, see installation instructions packed with your dryer.



### Power Cord Locations



For answers to your Monogram®, GE Profile™ or GE® appliance questions, visit our website at [ge.com](http://ge.com) or call GE Answer Center® service, 800.626.2000.



Specification Revised 9/07

370219

# DBLR333EG

## GE® 5.8 Cu. Ft. Extra-Large Capacity Electric Dryer

For complete information, see installation instructions packed with your dryer.

### Ducting Materials:

For best performance, this dryer should be vented with 4" diameter all rigid metal exhaust duct. If "all rigid metal" duct cannot be used, then "flexible all metal" venting can be used, but it will reduce the maximum recommended duct length.

### Exhaust Length Calculation:

- Determine the number of 90° turns needed for your installation. If you exhaust to the side or bottom of dryer, add one turn.
- The maximum length of 4" rigid (aluminum or galvanized) duct which can be tolerated is shown in the table. The maximum length for flexible ducts are less than for rigid duct. A turn of 45° or less may be ignored. Two 45° turns within the duct length should be treated as a 90° elbow. A turn over 45° should be treated as a 90° elbow.

**Exhausting the dryer to the outside is strongly recommended** to prevent large amounts of moisture and lint from being blown into the room. Gas dryers or any dryer located in a closet must be exhausted to the outside.

**Caution:** For personal safety do not terminate exhaust into a chimney, under any enclosed house floor (crawl space), or into an attic, since the accumulated lint could create a fire hazard or moisture could cause damage. Never terminate the exhaust into a common duct or plenum with a kitchen exhaust, since the combination of lint and grease could create a fire hazard.

Exhaust ducts should be terminated in a dampered wall cap to prevent back drafts, bird nesting, etc. The wall cap must also be located at least 12" above the ground or any other obstruction with the opening pointed down.

Other terminations, such as louvered wall boxes, are acceptable provided they are equivalent to a 4" opening dampered wall cap.

For more information on venting kits and accessories, please call 1-800-GE-CARES.

### Special Installation Requirements

#### Alcove or Closet Installation:

- If your dryer is approved for installation in an alcove or closet, it will be stated on a label on the dryer back.
- The dryer **MUST** be exhausted to the outside.
- Minimum clearances between dryer cabinet and adjacent walls or other surfaces are: 0" either side; 3" front and rear
- Minimum vertical space from floor to overhead cabinets, ceilings, etc. is 52".
- Closet doors must be louvered or otherwise ventilated and must contain a minimum of 60 sq. in. of open area equally distributed. If this closet contains both a washer and a dryer, doors must contain a minimum of 120 sq. in. of open area equally distributed.
- No other fuel-burning appliance shall be installed in the same closet with a gas dryer.

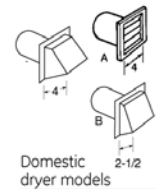
#### Bathroom or Bedroom Installation:

- The dryer **MUST** be exhausted to the outdoors.
- The installation must conform with the local codes, or in the absence of local codes, with the National Fuel Gas Code, ANSI Z223.

#### Minimum Clearances other than Alcove or Closet Installation:

- Minimum clearances to combustible surfaces are: 0" both sides; 3" rear

**Dryer Exhausting Information:** Use metal duct only, vertical and horizontal ducting.



|  | Number of 90° turns | Best performance                           |                     |   |                     |
|--|---------------------|--|---------------------|---|---------------------|
|  |                     | Maximum length of 4" dia. rigid metal duct |                     | Maximum length of 4" dia. flexible metal duct |                     |
|  |                     | Exhaust hood type                          |                     | Exhaust hood type                             |                     |
|  |                     | A<br>4" opening                            | B<br>2-1/2" opening | A<br>4" opening                               | B<br>2-1/2" opening |
| Domestic dryer models  | 0                   | 150 ft.                                    | 127 ft.             | 75 ft.  | 52 ft.              |
|  | 1                   | 140 ft.                                    | 117 ft.             | 65 ft.  | 42 ft.              |
|  | 2                   | 130 ft.                                    | 107 ft.             | 55 ft.  | 32 ft.              |
|  | 3                   | 120 ft.                                    | 97 ft.              | 45 ft.  | 22 ft.              |
|  | 4                   | 110 ft.                                    | 87 ft.              | 35 ft.  | 12 ft.              |
| 7.3 cu. ft. capacity electric and gas dryers                 | 0                   | 90 ft.                                     | 60 ft.              | 55 ft.  | 45 ft.              |
|  | 1                   | 60 ft.                                     | 45 ft.              | 40 ft.  | 30 ft.              |
|  | 2                   | 45 ft.                                     | 35 ft.              | 30 ft.  | 20 ft.              |
|  | 3                   | 35 ft.                                     | 25 ft.              | 20 ft.  | 15 ft.              |
|  | 4                   | 25 ft.                                     | 15 ft.              | 15 ft.  | 10 ft.              |
| 7.0, 6.0 and 5.8 cu. ft. capacity models all electric dryers | 0                   | 90 ft.                                     | 60 ft.              | 55 ft.  | 45 ft.              |
|  | 1                   | 60 ft.                                     | 45 ft.              | 40 ft.  | 30 ft.              |
|  | 2                   | 45 ft.                                     | 35 ft.              | 30 ft.  | 20 ft.              |
|  | 3                   | 35 ft.                                     | 25 ft.              | 20 ft.  | 15 ft.              |
| 7.0, 6.0 and 5.8 cu. ft. capacity models all gas dryers      | 0                   | 150 ft.                                    | 125 ft.             | 55 ft.  | 45 ft.              |
|  | 1                   | 135 ft.                                    | 115 ft.             | 52 ft.  | 42 ft.              |
|  | 2                   | 125 ft.                                    | 105 ft.             | 49 ft.  | 39 ft.              |
|  | 3                   | 115 ft.                                    | 95 ft.              | 46 ft.  | 36 ft.              |
|  | 4                   | 105 ft.                                    | 85 ft.              | 43 ft.  | 33 ft.              |
|  | 5                   | 95 ft.                                     | 75 ft.              | 40 ft.  | 30 ft.              |
| DLR483E/G  |                     |  |                     |   |                     |
| DSLVR48E/G   |                     |  |                     |   |                     |



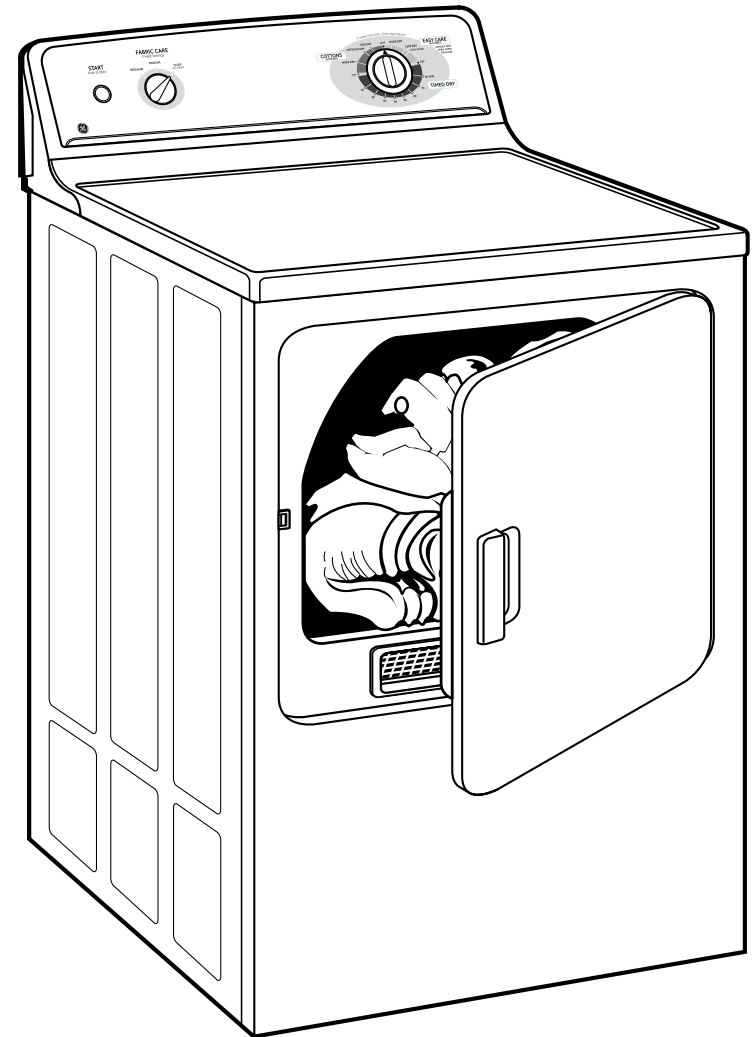
imagination at work

# DBLR333EG

## GE® 5.8 Cu. Ft. Extra-Large Capacity Electric Dryer

### Features and Benefits

- 5.8 Cu. Ft. Extra-Large Capacity - Handles large-size items and family size loads
- DuraDrum™ - Provides long-lasting dependability and durability
- Three Heat Selections - Offer a choice of drying temperatures for better fabric care
- Three Dry Cycles - Simple options for the reliable drying performance
- Auto Dry - Uses thermostats to monitor air temperature and reduce fabric wear
- Upfront Lint Filter - Easy to reach and clean
- Reverse-A-Door - Offers added installation flexibility
- Quiet-By-Design™ - Engineered for quiet operation
- Model DBLR333EGWW -White on white
- Model DBLR333EGCC -Bisque on bisque



imagination at work

Specification Revised 9/07

370219

## Free Manuals Download Website

<http://myh66.com>

<http://usermanuals.us>

<http://www.somanuals.com>

<http://www.4manuals.cc>

<http://www.manual-lib.com>

<http://www.404manual.com>

<http://www.luxmanual.com>

<http://aubethermostatmanual.com>

Golf course search by state

<http://golfingnear.com>

Email search by domain

<http://emailbydomain.com>

Auto manuals search

<http://auto.somanuals.com>

TV manuals search

<http://tv.somanuals.com>