

# DCCH480EK/485EK

## GE® 4.0 Cu. Ft. Stainless Steel Capacity 24" Ventless Condenser Frontload Electric Dryer

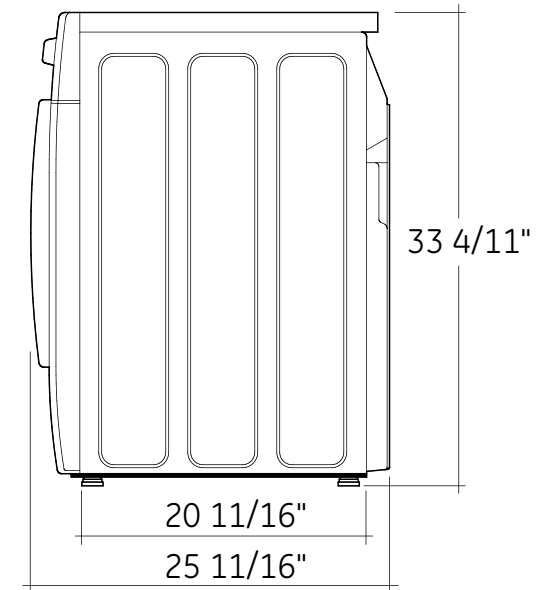
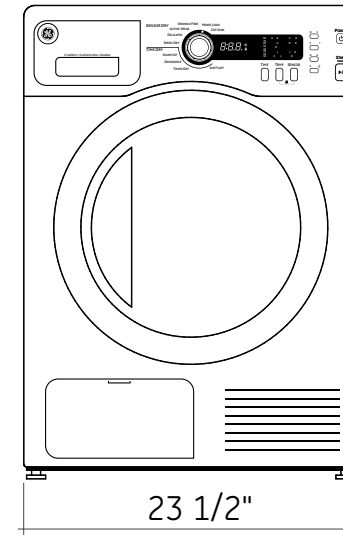
### Dimensions and Installation Information (in inches)

Electric Dryer Rating	
240V	3000W, 12.5A, 60Hz

**Circuit Requirements:** An individual, properly grounded branch circuit, protected by a 30-amp circuit breaker or a time-delay fuse, is required.

**Note:** Dryer wall outlet must be located within 36" of service cord entry and accessible when dryer is mounted in position.

**Installation Information:** For complete information, see installation instructions packed with your dryer.



For answers to your Monogram®, GE Profile™ or GE® appliance questions, visit our website at [ge.com](http://ge.com) or call GE Answer Center® service, 800.626.2000.



Specification Revised 10/10

360480

# DCCH480EK/485EK

## GE® 4.0 Cu. Ft. Stainless Steel Capacity 24" Ventless Condenser Frontload Electric Dryer

### Special Installation Requirements:

#### Alcove or Closet Installation:

- Stacking Kit - GE24STACK (not included)
- If your dryer is approved for installation in an alcove or closet, it will be stated on a label on the dryer back.
- Minimum clearances between dryer cabinet and adjacent walls or other surfaces are: 0" either side, 3" front and rear
- Minimum vertical space from floor to overhead cabinets, ceilings, etc. is 52".
- Closet doors must be louvered or otherwise ventilated and must contain a minimum of 60 sq. in. of open area equally distributed. If this closet contains both a washer and a dryer, doors must contain a minimum of 120 sq. in. of open area equally distributed.
- No other fuel-burning appliance shall be installed in the same closet with a gas dryer.

#### Bathroom or Bedroom Installation:

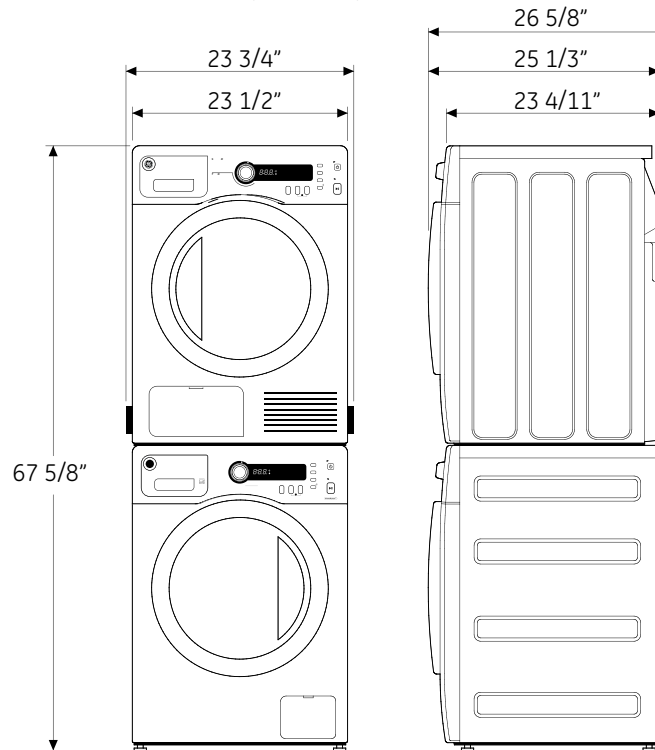
- The installation must conform with the local codes, or in the absence of local codes, with the National Electric Code and National Fuel Gas Code, ANSI Z223 for gas dryers.

#### Minimum Clearance other than Alcove or Closet Installations:

- Minimum clearances to combustible surfaces 0" both sides, 3" rear.

For more information on venting kits and accessories, please call 1-800-GE-CARES.

### Stacked Dimensions (in inches)



For answers to your Monogram®, GE Profile™ or GE® appliance questions, visit our website at [ge.com](http://ge.com) or call GE Answer Center® service, 800.626.2000.

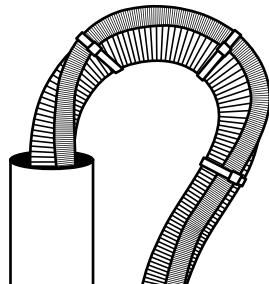
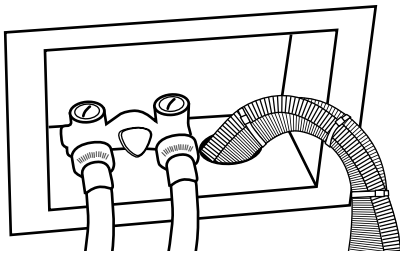


DCCH480EK/485EK

GE® 4.0 Cu. Ft. Stainless Steel Capacity 24" Ventless Condenser Frontload Electric Dryer

### Draining water out of the dryer

- Two options are available to drain the water out.
  - Pump to a removeable water tank in the dryer.
  - Drain directly out of unit into a standpipe or washstand through the included drain hose.
- The dryer drain hose and wire ties are included.
- You must have a standpipe available to drain into.
- Your standpipe or washstand cannot exceed a height of 35-1/2" above the ground.
- The dryer drain hose can drain alongside the washer hose.
- For complete information, see the installation instructions packed with your dryer.

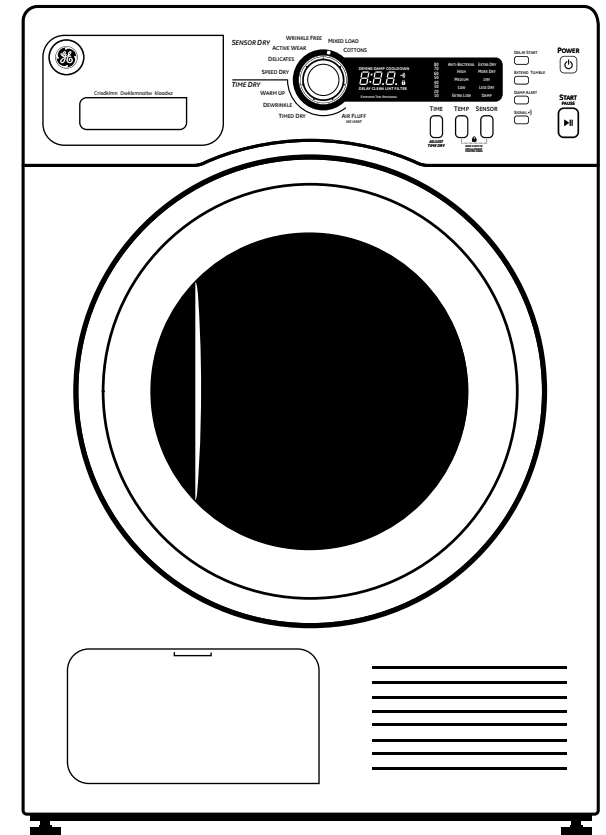


# DCCH480EK/485EK

## GE® 4.0 Cu. Ft. Stainless Steel Capacity 24" Ventless Condenser Frontload Electric Dryer

### Features and Benefits

- 4.0 Cu. Ft. Large Stainless Steel Basket - Handles a king-size comforter or 24 full-size bath towels with ease
- 5 Heat Selections - Offer enhanced drying performance and fabric care
- Sensor Dry™ - Continually monitors moisture content to help prevent clothing wear and tear
- Stainless Steel Drum Interior - Smooth stainless interior helps prevent rust and protect clothes
- Multiple Dry Cycles - Deliver optimal drying results
- Delay Start - Lets you do the laundry on your terms
- Antibacterial Option - Certified by the NSF® to reduce up to 99.9% of certain types of bacteria
- Extended Tumble Plus - Tumble clothes without heat to help prevent creasing and wrinkling
- Speed Dry - Delivers ready-to-go results in minutes
- ADA Compliant
- Model DCCH480EKWW – White on white
- Model DCCH485EKMS – Metallic silver



Specification Revised 10/10

360480

## Free Manuals Download Website

<http://myh66.com>

<http://usermanuals.us>

<http://www.somanuals.com>

<http://www.4manuals.cc>

<http://www.manual-lib.com>

<http://www.404manual.com>

<http://www.luxmanual.com>

<http://aubethermostatmanual.com>

Golf course search by state

<http://golfingnear.com>

Email search by domain

<http://emailbydomain.com>

Auto manuals search

<http://auto.somanuals.com>

TV manuals search

<http://tv.somanuals.com>