

GLD4600/50/60N GE® Tall Tub Built-In Dishwasher

Dimensions and Installation Information (in inches)

Electrical Rating

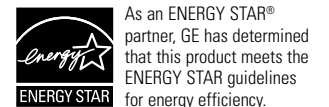
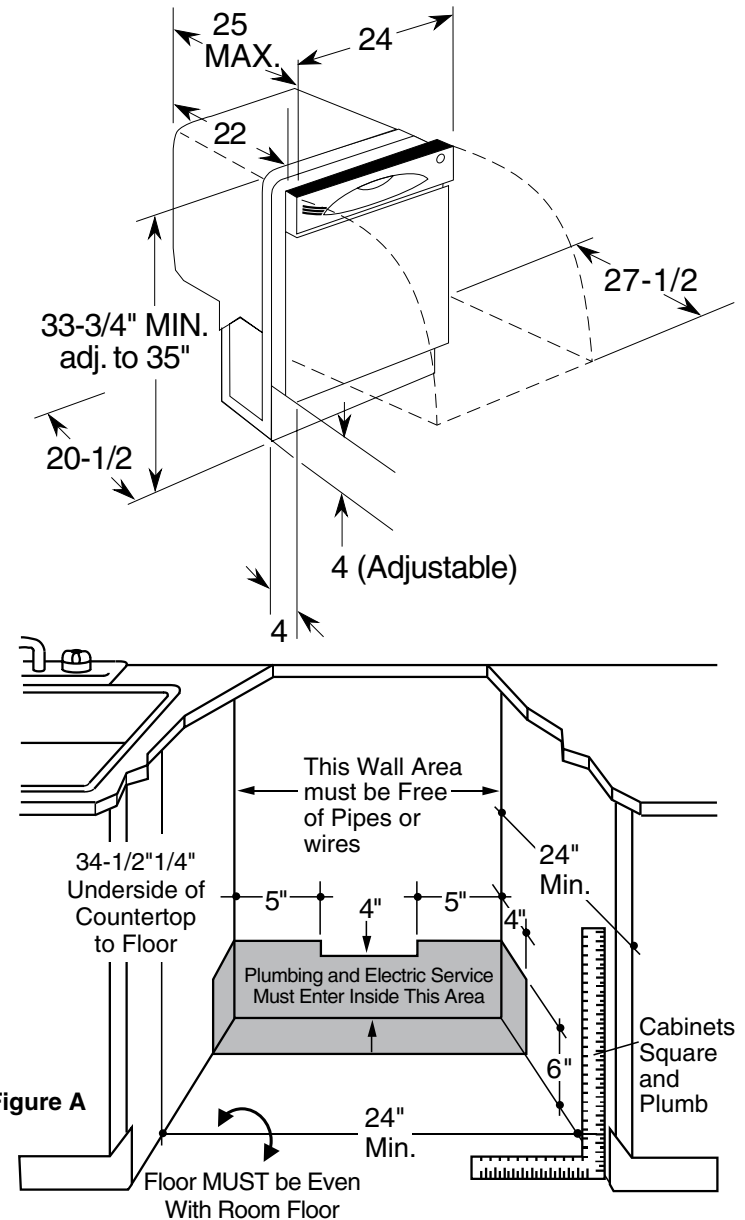
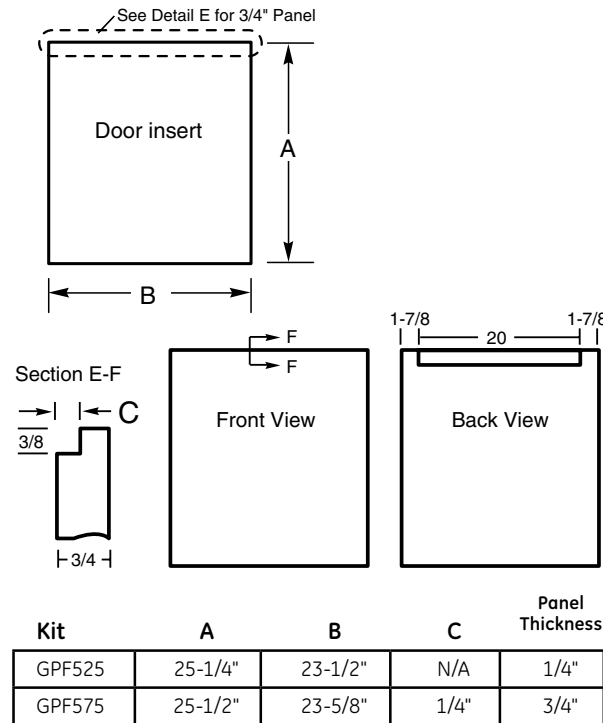
Voltage AC.....	120
Hertz.....	60
Total connected load amperage.....	10
Calrod® heater watts max.....	875

For use on adequately wired 120-volt, 15-amp circuit having 2-wire service with a separate ground wire. This appliance must be grounded for safe operation.

Note: The rough cabinet opening must be at least 24" deep, 24" wide and approximately 34-1/2" high from floor to underside of the countertop. Dishwasher must not be installed more than 10 feet from sink for proper drainage. All plumbing and electrical work must be in accordance with local codes. The power cord and connections must comply with the National Electrical Code Section 422 and/or local codes and ordinances. The cord must be no longer than 6 ft. from the junction box to the receptacle.

Installation Information: Before installing, consult installation instructions packed with product for current dimensional data.

For answers to your Monogram®, GE Profile™ or GE® appliance questions, visit our website at ge.com or call GE Answer Center® service, 800.626.2000.

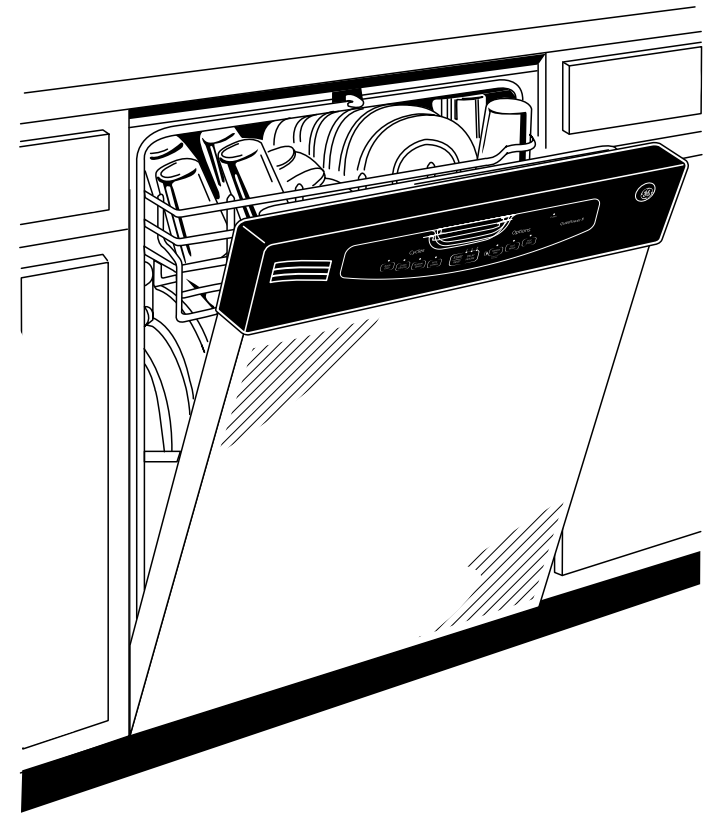


GLD4600/50/60N

GE® Tall Tub Built-In Dishwasher

Features and Benefits

- Giant Tub with Super Capacity Racking - Washes up to 15 place settings at once, with room for cookie sheets, platters and other tall items
- 6-Level BrilliantClean™ Towerless Wash System - Quietly and efficiently powers dishes clean using remarkably less water and energy; 6 wash levels and three wash arms direct water onto dishes just where it's needed
- Electronic Controls with 4 Cycles/4 Options - Make it easy to select a wide range of wash cycles
- 2/4/8-Hour Delay Start - Makes it easier than ever to wash dishes at any hour taking advantage of reduced energy rates or washing dishes even when the family is asleep
- 100% Triple Water Filtration - Water stays clean, so just-washed dishes do, too
- QuietPower™ 3 Sound Package - Dramatically reduces the sound of washing the dishes
- Child Lock Pad - Easily set to keep children from accidentally starting the dishwasher
- Pots and Pans Cycle - Scours off burned-on food with hot water and maximum water pressure
- China/Crystal Cycle - Protects delicate dishes and glassware by lowering the water temperature during the cycle
- HotStart™ Option - Preheats water before the main wash cycle for dependable performance every time
- Model GLD4600NWW - White on white
- Model GLD4600NCC - Bisque on bisque
- Model GLD4600NBB - Black on black
- Model GLD4650NCS - CleanSteel™
- Model GLD4660NSS - Stainless steel



imagination at work

Free Manuals Download Website

<http://myh66.com>

<http://usermanuals.us>

<http://www.somanuals.com>

<http://www.4manuals.cc>

<http://www.manual-lib.com>

<http://www.404manual.com>

<http://www.luxmanual.com>

<http://aubethermostatmanual.com>

Golf course search by state

<http://golfingnear.com>

Email search by domain

<http://emailbydomain.com>

Auto manuals search

<http://auto.somanuals.com>

TV manuals search

<http://tv.somanuals.com>